

Product Data Sheet

HKK95AA K3

Revision 1

(Variant Code B)

1 Application

Application	Refrigerant	Expansion Device	Cooling Type
LBP	R600a	Capillary	Static

1.1 Application Conditions

Max. Ambient temp. ¹	[°C]	43
Max. Steady discharge temp. ²	[°C]	120
Max. Peak discharge temp. ^{2,5}	[°C]	135
Max. Steady condensing temp. ³	[°C]	60
Max. Peak condensing temp. ^{3,5}	[°C]	70
Max. Winding temp. ⁴	[°C]	130

¹ ...static

² ...measured on discharge tube, 50 mm from the shell

³ ...measured in the middle of condenser

⁴ ...calculated out of the measured difference of resistance

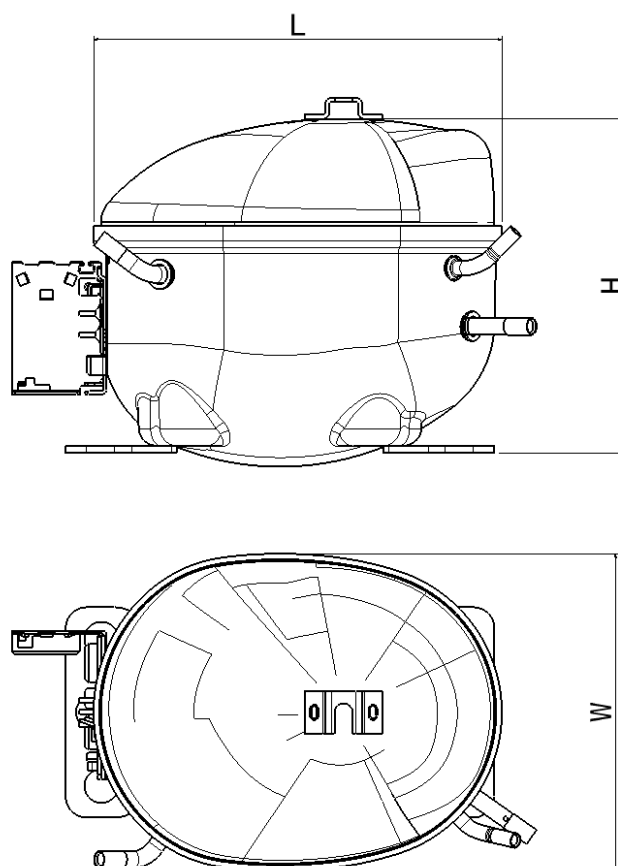
⁵ ...max 5% of lifetime

Variant code according to Label; see General Product Documentation

2 Mechanical Data

Displacement	[cm³]	9,6
Net Weight¹	[kg]	8,9
Oil Type		mineral
Oil Charge	[ml]	165
Oil Viscosity	[cst]	5
Suction muffler		Semi direct
Free Gas Volume	[cm³]	1540
Length L	[mm]	237,5
Width W	[mm]	151,5
Height H	[mm]	167

¹...Compressor without accessories



3 Electrical Data

Power supply	[V]	220 - 240
Voltage range ¹	[V]	187 - 264
Frequency	[Hz]	50
Phase	[ph]	1
Motor type		RSCR
Locked rotor current @ steady state	[A]	3,9
Max. Locked rotor current / measured after 4 sec	[A]	9,8 / 4,1
Main wind. Resistance @ 25°C	[Ω]	23,0
Start wind. Resistance @ 25°C	[Ω]	19,1

¹...Operating and starting (starting condition @ +43°C windings temperature, 3,5 barA equalized pressure)

All data measured according to EN 60335

3.1 Electrical Component Data

Terminal board		ECC
Starting device	Code	K100
PTC	Type	A
Run Capacitor	[μF]	4

3.2 Motor Protector

Motor Protector	BDG	Wanbao
Type	AE 15 BU x	B80 120 x
Code	FC	MH

4 Performance Data

4.1 Cooling Capacity, COP and Input Power

Performance Table Cooling Capacity @ ASHRAE / EN12900 (CECOMAF); 220V, 50Hz; [W]:

Evap. temp. [°C]		-35	-30	-25	-23,3	-20	-15	-10	
Condensing temp. @	ASHRAE [°C]	40	93,7	124,1	161,2	175,4	205,2	255,9	313,4
		45	90,3	121,0	158,6	173,0	203,0	254,2	312,2
		50	86,8	118,0	156,0	170,5	200,9	252,6	311,1
		55	83,4	115,0	153,4	168,1	198,7	252,0	313,0
		60	79,9	111,9	150,8	165,6	196,6	249,3	308,9
	EN12900 (CECOMAF) [°C]	C55	69,0	95,0	126,0	139,0	164,0	207,0	257,0

Performance Table COP with RC @ ASHRAE / EN12900 (CECOMAF); 220V, 50Hz; [W/W]:

Evap. temp. [°C]		-35	-30	-25	-23,3	-20	-15	-10	
Condensing temp. @	ASHRAE [°C]	40	1,49	1,74	1,99	2,07	2,24	2,49	2,74
		45	1,42	1,66	1,90	1,98	2,14	2,38	2,62
		50	1,35	1,58	1,81	1,89	2,04	2,27	2,49
		55	1,28	1,50	1,72	1,80	1,94	2,15	2,37
		60	1,21	1,41	1,62	1,70	1,83	2,04	2,25
	EN12900 (CECOMAF) [°C]	C55	1,06	1,24	1,42	1,48	1,59	1,77	1,95

Performance Table Input Power with RC @ ASHRAE / EN12900 (CECOMAF); 220V, 50Hz; [W]:

Evap. temp. [°C]		-35	-30	-25	-23,3	-20	-15	-10	
Condensing temp. @	ASHRAE [°C]	40	62,8	71,2	81,0	84,5	91,6	102,9	114,5
		45	63,5	72,9	83,5	87,3	95,0	107,0	119,4
		50	64,3	74,8	86,3	90,4	98,7	111,5	124,7
		55	65,3	76,8	89,4	93,0	102,7	116,5	130,6
		60	66,3	79,1	92,9	97,7	107,2	122,0	137,1
	EN12900 (CECOMAF) [°C]	C55	65,3	76,8	89,4	93,0	102,7	116,5	130,6

Test Conditions @ 220V/50Hz		ASHRAE	EN12900 (CECOMAF)
Evaporating temp.	[°C]	-23,3	-25
Condensing temp.	[°C]	55	55
Sub cooling temp.	[°C]	32	55
Suction temp.	[°C]	32	32
Ambient temp.	[°C]	32	32

Tolerance Range:

COP ± 5%
Cooling Capacity ± 5%

4.2 Rated current @ 55°C condensing temperature

Evaporating temperature	[°C]	-30	-23,3	-10
Rated current with RC	[A]	0,35	0,45	0,62

5 Reliability Tests

High Temperature CECOMAF GT4 – 002	passed
Wear CECOMAF GT4 – 003	passed
On – Off CECOMAF GT4 – 004	passed
Transport test ASTM D4728	passed