

HERMETIC COMPRESSORS

R 134a
R 22
R 404A / R 507
R 407C
R 600a
R 290

Product Line

EM
NB
NE
T/NT
NJ



 **Embraco** aspera

General Data and Performance		Page
50Hz		
R 134a	LBP	02
R 134a	HBP	04
R 22	LBP	06
R 22	HBP	06
R 22	M/HBP	08
R 22	AC	08
R 404A / R 507	LBP	08
R 404A / R 507	MBP	12
R 407C	AC	12
R 600a	LBP	14
R 600a	HBP	14
R 290	LBP	16
R 290	HBP	16
60Hz		
R 134a	LBP	16
R 134a	HBP	18
R 22	LBP	20
R 22	HBP	20
R 22	M/HBP	22
R 22	AC	22
R 404A / R 507	LBP	22
R 404A / R 507	MBP	26
R 407C	AC	28
R 600a	LBP	28
General Information		30
External Views		31
Wiring Diagrams		33
Nomenclature		40

REFRIGERANT APPLICATION FREQUENCY
R 134a LBP 50Hz

MODEL	Displacement		B.O.M.	Voltage / Frequency	Motor Type	LRA	Exp. Device	Lubricant			Weight		Max. Height A		Cooling Type
	cm ³	in ³						Charge cm ³	oz ³	Type	kg	lb	mm	in	
EMT22HLP	3.00	0.18	191CA	220-240V 50Hz 1~	RSIR-RSCR	3.0	C	180	6.2	POE 10	7.1	15.7	158.0	6.2	S
EMT36HLP	3.97	0.24	192CA	220-240V 50Hz 1~	RSIR-RSCR	3.8	C	180	6.2	POE 10	7.5	16.5	166.0	6.5	S
EMT43HLP	4.85	0.30	192DA	220-240V 50Hz 1~	RSIR-RSCR	4.7	C	180	6.2	POE 10	7.5	16.5	166.0	6.5	S
EMT49HLP	5.56	0.34	192EA	220-240V 50Hz 1~	RSIR-RSCR	4.8	C	180	6.2	POE 10	7.7	17.0	166.0	6.5	S
EMT60HLP	6.76	0.41	192GA	220-240V 50Hz 1~	RSIR-RSCR	6.2	C	180	6.2	POE 10	7.7	17.0	166.0	6.5	S
NBT1114Z	6.20	0.38	297AA	220-240V 50Hz 1~	RSIR-RSCR	5.1	C	350	6.2	POE 10	10.2	22.5	187.0	7.4	S
NBT1116Z	7.40	0.45	298AA	220-240V 50Hz 1~	RSIR-RSCR	5.3	C	350	6.2	POE 10	10.8	23.8	200.0	7.9	S
NBT1118Z	8.40	0.51	298BA	220-240V 50Hz 1~	RSIR-RSCR	6.9	C	350	6.2	POE 10	10.8	23.8	200.0	7.9	S
NB2112Z	6.26	0.38	293IA	220-240V 50Hz 1~	CSIR	6.3	C/V	350	12.0	POE 22	9.5	20.9	177.0	7.0	S
NB1116Z	8.40	0.51	294SA	220-240V 50Hz 1~	RSIR-RSCR	9.5	C	350	12.0	POE 22	9.8	21.6	187.0	7.4	S
NB2116Z	8.40	0.51	294TA	220-240V 50Hz 1~	CSIR	8.8	C/V	350	12.0	POE 22	9.8	21.6	187.0	7.4	S
NB1117Z	8.40	0.51	294RN	200-240V 50Hz 1~ / 230V 60Hz 1~	RSIR	13.1	C	350	12.0	POE 22	10.3	22.7	187.0	7.4	S
NB3117Z	8.40	0.51	295AN	200-240V 50Hz~ / 230V 60Hz 1~	RSIR	13.0	C	350	12.0	POE 22	10.4	22.9	200.0	7.9	OC
NB1118Z	8.07	0.49	292CK	200-220V 50Hz 1~ / 230V 60Hz 1~	RSIR	13.2	C	350	12.0	POE 22	10.8	23.8	200.0	7.9	S
NB1118Z	8.07	0.49	294UA	220-240V 50Hz 1~	RSIR-RSCR	11.0	C	350	12.0	POE 22	10.3	22.7	187.0	7.4	S
NB2118Z	8.07	0.49	294VA	220-240V 50Hz 1~	CSIR	9.3	C/V	350	12.0	POE 22	10.4	22.9	187.0	7.4	S
NB1119Z	8.07	0.49	295BN	200-240V 50Hz 1~ / 230V 60Hz 1~	RSIR	14.4	C	350	12.0	POE 22	11.0	24.3	200.0	7.9	S
NB3119Z	8.07	0.49	295BN	200-240V 50Hz 1~ / 230V 60Hz 1~	RSIR	11.5	C	350	12.0	POE 22	10.4	22.9	200.0	7.9	OC
NE1121Z	9.27	0.57	262AA	220-240V 50Hz 1~	RSIR	14.8	C	350	12.0	POE 22	11.0	24.3	200.0	7.9	F
NE3121Z	9.27	0.57	262AA	220-240V 50Hz 1~	RSIR	14.8	C	350	12.0	POE 22	11.0	24.3	200.0	7.9	OC
NE1121Z	9.27	0.57	262AK	200-220V 50Hz 1~ / 230V 60Hz 1~	RSIR	22.2	C	350	12.0	POE 22	11.0	24.3	200.0	7.9	F
NE2121Z	9.27	0.57	262BA	220-240V 50Hz 1~	CSIR	12.6	C/V	350	12.0	POE 22	11.0	24.3	200.0	7.9	F
NE2121Z	9.27	0.57	263BK	200-220V 50Hz / 230V 60Hz	CSIR	15.0	C/V	350	12.0	POE 22	11.0	24.3	200.0	7.9	F
NE1130Z	12.12	0.74	262CA	220-240V 50Hz 1~	RSIR	16.3	C	350	12.0	POE 22	11.0	24.3	200.0	7.9	F
NE3130Z	12.12	0.74	262CA	220-240V 50Hz 1~	RSIR	16.3	C	350	12.0	POE 22	11.0	24.3	200.0	7.9	OC
NE1130Z	12.12	0.74	263IK	200-220V 50Hz / 230V 60Hz	RSIR	22.0	C	350	12.0	POE 22	11.0	24.3	200.0	7.9	F
NE2130Z	12.12	0.74	262DA	220-240V 50Hz 1~	CSIR	13.2	C/V	350	12.0	POE 22	11.0	24.3	200.0	7.9	F
NE2130Z	12.12	0.74	263DK	200-220V 50Hz 1~ / 230V 60Hz 1~	CSIR	14.3	C/V	350	12.0	POE 22	11.6	25.6	200.0	7.9	F
NE2134Z	14.28	0.87	263CA	220-240V 50Hz 1~	CSIR	17.0	C/V	350	12.0	POE 22	11.5	25.4	206.0	8.1	F
NEK1121Z	9.27	0.57	269FA	220-240V 50Hz 1~	RSIR	23.0	C	350	12.0	POE 22	11.6	25.6	206.0	8.1	S
NEK3130Z	12.12	0.74	269CA	220-240V 50Hz 1~	RSIR	16.0	C	350	12.0	POE 22	11.6	25.6	206.0	8.1	OC
NEK2140Z	16.80	1.02	269GA	220-240V 50Hz 1~	CSIR	16.9	C/V	350	12.0	POE 22	11.6	25.6	206.0	8.1	F
T2134Z	19.04	1.16	203NV	230V 50Hz 1~	CSIR	13.0	C/V	550	20.0	POE 22	13.9	30.6	201.0	7.9	F
T2140Z	22.40	1.37	207HA	220-240V 50Hz 1~	CSIR	20.0	C/V	550	20.0	POE 22	14.0	30.9	221.0	8.7	F
T2140Z	22.40	1.37	207HK	200-220V 50Hz / 230V 60Hz	CSIR	22.5	C/V	550	20.0	POE 22	14.9	32.8	221.0	8.7	F
NJ2152Z	27.12	1.65	144LA	220-240V 50Hz 1~	CSIR	24.0	C/V	750	26.0	POE 22	20.0	44.1	265.0	10.4	F

Note: Please check Test Conditions on page 30.

	Condensing Temperature °C	Cooling Capacity / Evaporating Temperature °C Subcooled conditions W												Drawings		MODEL
				Rated Point -23.3°C										External View ref.	Wiring Diagram ref.	
		-30	-25	Cooling		W. input	Current	EER		-20	-15	-10	-5			
W	kcal/h	W	A	W/W	kcal/hW											
	54.4 45	47 54	67 73	74	64	62	0.40	1.19	1.02	91	121	156	196	DWG01	SM00	EMT22HLP
	54.4 45	74 79	98 105	108	93	85	0.60	1.27	1.09	130 138	169 179	215 227	269 284	DWG01	SM00	EMT36HLP
	54.4 45	91 98	121 129	133	114	102	0.70	1.31	1.13	159 169	206 218	262 277	326 345	DWG01	SM00	EMT43HLP
	54.4 45	103 111	137 145	151	130	114	0.80	1.32	1.14	180 189	232 243	293 307	362 381	DWG01	SM00	EMT49HLP
	54.4 45	120 134	159 176	175	151	151	1.00	1.16	1.00	209 230	272 296	346 373	431 462	DWG01	SM00	EMT60HLP
	54.4 45	103 117	143 156	159	137	112	0.40	1.42	1.22	193 207	253 268	323 340	403 423	DWG02	SM00	NBT1114Z
	54.4 45	127 142	174 189	193	166	127	0.50	1.51	1.30	233 249	303 321	384 405	477 501	DWG02	SM00	NBT1116Z
	54.4 45	150 165	204 220	225	194	151	0.60	1.49	1.28	271 289	352 371	446 468	554 579	DWG02	SM00	NBT1118Z
	54.4 45	102	126 138	139	120	127	0.90	1.09	0.94	169 184	220 238	280 301	348 373	DWG02	SM05	NB2112Z
	54.4 45	135	165 181	182	157	164	1.20	1.11	0.95	219 238	284 305	360 383	447 470	DWG02	SM00	NB1116Z
	54.4 45	134	157 179	182	157	164	1.10	1.11	0.95	212 234	277 301	353 379	440 469	DWG02	SM05	NB2116Z
	54.4 45	134	183 179	174	150	166	1.30	1.05	0.90	247 234	326 301	418 379	523 469	DWG02	SM00	NB1117Z
	54.4 45	129	157 174	174	150	156	1.20	1.12	0.96	212 230	277 298	353 377	440 468	DWG05	SM03	NB3117Z
	54.4 45	146	179 197	200	172	166	1.20	1.20	1.03	243 261	318 337	404 427	501 530	DWG02	SM00	NB1118Z
	54.4 45	111	124 147	207	178	168	1.10	1.23	1.06	199 214	244 262	321 341	411 434	DWG02	SM05	NB1118Z
	54.4 45	111	124 147	212	182	166	1.10	1.27	1.10	199 214	244 262	321 341	411 434	DWG02	SM05	NB2118Z
	54.4 45	146	179 197	200	172	166	1.20	1.20	1.03	243 261	318 337	404 427	501 530	DWG02	SM00	NB1119Z
	54.4 45	146	179 197	200	172	160	1.30	1.25	1.08	243 261	318 337	404 427	501 530	DWG05	SM03	NB3119Z
	54.4 45	184	229 245	252	217	198	1.50	1.27	1.09	303 322	393 412	497 518	618 640	DWG03	SM03	NE1121Z
	54.4 45	184	229 245	252	217	198	1.50	1.27	1.09	303 322	393 412	497 518	618 640	DWG05	SM03	NE3121Z
	54.4 45	184	229 245	252	217	198	1.50	1.27	1.09	303 322	393 412	497 518	618 640	DWG03	SM03	NE1121Z
	54.4 45	182	226 242	250	215	204	1.40	1.22	1.05	301 319	391 411	496 519	618 640	DWG03	SM05	NE2121Z
	54.4 45	184	229 245	252	217	198	1.40	1.27	1.09	303 322	393 412	497 518	618 640	DWG03	SM05	NE2121Z
	54.4 45	235	293 313	322	277	245	1.50	1.32	1.14	385 408	495 520	623 650	772 800	DWG03	SM03	NE1130Z
	54.4 45	235	293 313	322	277	245	1.50	1.32	1.14	385 408	495 520	623 650	772 800	DWG05	SM03	NE3130Z
	54.4 45	235	293 313	322	277	245	2.47	1.32	1.14	385 408	495 520	623 650	772 800	DWG03	SM03	NE1130Z
	54.4 45	254	313 332	344	296	260	2.10	1.32	1.14	409 430	525 547	660 684	817 843	DWG03	SM05	NE2130Z
	54.4 45	228	283 299	314	270	260	2.10	1.21	1.04	375 388	482 495	604 620	742 763	DWG03	SM05	NE2130Z
	54.4 45	263	324 345	356	306	291	2.30	1.22	1.05	438 453	556 585	706 741	880 921	DWG03	SM05	NE2134Z
	54.4 45	178	220 238	248	213	195	1.41	1.27	1.09	296 315	388 408	495 518	618 642	DWG03	SM03	NEK1121Z
	54.4 45	255	313 333	344	296	256	1.85	1.34	1.16	412 432	531 553	671 696	830 860	DWG05	SM03	NEK3130Z
	54.4 45	318	394 420	436	375	340	2.35	1.28	1.10	520 552	670 710	848 896	1015 1110	DWG03	SM05	NEK2140Z
	54.4 45	308	357 389	396	341	367	2.80	1.08	0.93	482 512	639 678	830 887	1055 1139	DWG08	SM09	T2134Z
	54.4 45	327	389 434	438	377	367	2.50	1.19	1.02	547 591	746 799	986 1057	1266 1364	DWG08	SM08	T2140Z
	54.4 45	327	389 434	438	377	367	2.50	1.19	1.02	547 591	746 799	986 1057	1266 1364	DWG08	SM08	T2140Z
	54.4 45	360	521 551	602	518	438	2.90	1.37	1.18	768 777	1045 1039	1351 1335	1687 1666	DWG14	SM14	NJ2152Z

REFRIGERANT APPLICATION FREQUENCY
R 134a HBP 50Hz

MODEL	Displacement		B.O.M.	Voltage / Frequency	Motor Type	LRA	Exp. Device	Lubricant			Weight		Max. Height A		Cooling Type
	cm ³	in ³						Charge cm ³	oz ³	Type	kg	lb	mm	in	
EMT37HDP	3.40	0.21	193EA	220-240V 50Hz 1~	RSIR	4.3	C	180	6.2	POE 22	7.2	16.0	158.0	6.2	S
EMT37HDP	3.40	0.21	194IB	200-230V 50Hz / 208-230V 60Hz 1~	RSIR	5.4	C	180	6.2	POE 22	7.7	17.0	166.0	6.5	S
EMT45HDR	3.97	0.24	194LA	220-240V 50Hz 1~	CSIR	5.4	C/V	180	6.2	POE 10	7.7	17.0	166.0	6.5	S
EMT50HDP	4.50	0.27	194MA	220-240V 50Hz 1~	RSIR	6.4	C	180	6.2	POE 22	7.7	17.0	166.0	6.5	S
EMT50HDP	4.50	0.27	194NB	200-230V 50Hz / 208-230V 60Hz 1~	RSIR	9.1	C	180	6.2	POE 22	7.7	17.0	166.0	6.5	S
NB5132Z	5.02	0.31	293CA	220-240V 50Hz 1~	RSIR	8.3	C	350	12.0	POE 22	9.5	20.9	177.0	7.0	S
NB5144Z	6.05	0.37	294AA	220-240V 50Hz 1~	RSIR	11.5	C	350	12.0	POE 22	9.7	21.4	187.0	7.4	F
NB6144Z	6.05	0.37	294BA	220-240V 50Hz 1~	CSIR	7.5	C/V	350	12.0	POE 22	9.7	21.4	187.0	7.4	F
NE5160Z	8.00	0.49	261AA	220-240V 50Hz 1~	RSIR	13.4	C	350	12.0	POE 22	9.9	21.8	187.0	7.4	F
NE6160Z	8.00	0.49	261BA	220-240V 50Hz 1~	CSIR	10.8	C/V	350	12.0	POE 22	10.4	22.9	187.0	7.4	F
NE6160Z	8.00	0.49	261BN	200-240V 50Hz / 230V 60Hz 1~	CSIR	15.3	C/V	350	12.0	POE 22	10.4	22.9	187.0	7.4	F
NE5170Z	8.78	0.54	261CA	220-240V 50Hz 1~	RSIR	13.5	C	350	12.0	POE 22	10.4	22.9	187.0	7.4	F
NE6170Z	8.78	0.54	261DA	220-240V 50Hz 1~	CSIR	11.0	C/V	350	12.0	POE 22	10.4	22.9	187.0	7.4	F
NE6170Z	8.78	0.54	262RN	200-240V 50Hz / 230V 60Hz 1~	CSIR	16.5	C/V	350	12.0	POE 22	10.3	22.7	200.0	7.9	F
NE5187Z	12.12	0.74	261EA	220-240V 50Hz 1~	RSIR	17.4	C	350	12.0	POE 22	10.4	22.9	187.0	7.4	F
NE6187Z	12.12	0.74	261FA	220-240V 50Hz 1~	CSIR	13.8	C/V	350	12.0	POE 22	10.4	22.9	187.0	7.4	F
NE6187Z	12.12	0.74	262EN	200-240V 50Hz / 230V 60Hz 1~	CSIR	16.5	C/V	350	12.0	POE 22	10.4	22.9	200.0	7.9	F
NE6210Z	13.54	0.83	262FA	220-240V 50Hz 1~	CSIR	17.4	C/V	350	12.0	POE 22	11.0	24.3	200.0	7.9	F
NEK5144Z	5.46	0.33	267EA	220-240V 50Hz 1~	RSIR	10.0	C	350	12.0	POE 22	9.8	21.6	187.0	7.4	F
NEK6160Z	7.28	0.44	267BA	220-240V 50Hz 1~	CSIR	11.5	C/V	350	12.0	POE 22	10.4	22.9	187.0	7.4	F
NEK6160Z	7.28	0.44	267BB	200-230V 50Hz / 208-230V 60Hz 1~	CSIR	13.5	C/V	350	12.0	POE 22	10.4	22.9	187.0	7.4	F
NEK5170Z	8.40	0.51	267CA	220-240V 50Hz 1~	RSIR	14.0	C	350	12.0	POE 22	10.4	22.9	187.0	7.4	F
NEK6170Z	8.40	0.51	267DA	220-240V 50Hz 1~	CSIR	12.4	C/V	350	12.0	POE 22	10.4	22.9	187.0	7.4	F
NEK6170Z	8.40	0.51	268DB	200-230V 50Hz / 208-230V 60Hz 1~	CSIR	16.5	C/V	350	12.0	POE 22	11.0	24.3	200.0	7.9	F
NEK6187Z	10.00	0.61	268AA	220-240V 50Hz 1~	CSIR	16.1	C/V	350	12.0	POE 22	11.0	24.3	200.0	7.9	F
NEK6187Z	10.00	0.61	269BB	200-230V 50Hz / 208-230V 60Hz 1~	CSIR	19.3	C/V	350	12.0	POE 22	11.6	25.5	206.0	8.1	F
NEK6210Z	12.12	0.74	268BA	220-240V 50Hz 1~	CSIR	16.1	C/V	350	12.0	POE 22	11.0	24.3	200.0	7.9	F
NEK6210Z	12.12	0.74	269EB	200-230V 50Hz / 208-230V 60Hz 1~	CSIR	20.0	C/V	350	12.0	POE 22	11.6	25.5	206.0	8.1	F
NEK6212Z	14.30	0.87	269AA	220-240V 50Hz 1~	CSIR	19.5	C/V	350	12.0	POE 22	11.6	25.5	206.0	8.1	F
NEK6212Z	14.30	0.87	269AB	200-230V 50Hz / 208-230V 60Hz 1~	CSR	22.5	C/V	350	12.0	POE 22	11.6	25.5	206.0	8.1	F
NEK6214Z	16.80	1.02	269HA	220-240V 50Hz 1~	CSIR	21.2	C/V	350	12.0	POE 22	11.6	25.5	206.0	8.1	F
T6213Z	17.40	1.06	203LN	200-240V 50Hz / 230V 60Hz 1~	CSIR	23.3	C/V	550	19.0	POE 22	13.7	30.2	201.0	7.9	F
T6213Z	17.40	1.06	203LT	220-230V 50Hz 1~	CSIR	20.0	C/V	550	19.0	POE 22	13.7	30.2	201.0	7.9	F
T6215Z	20.40	1.24	206ZA	220-240V 50Hz 1~	CSIR	21.0	C/V	550	20.0	POE 22	14.2	31.3	221.0	8.7	F
T6215Z	20.40	1.24	206ZC	220V 50Hz 1~	CSIR	21.0	C/V	550	20.0	POE 22	14.5	32.0	221.0	8.7	F
T6215Z	20.40	1.24	206ZN	200-240V 50Hz / 230V 60Hz 1~	CSIR	28.8	C/V	550	20.0	POE 22	16.9	37.3	221.0	8.7	F
T6217Z	22.40	1.24	206TA	220-240V 50Hz 1~	CSIR	22.5	C/V	550	20.0	POE 22	16.9	37.3	221.0	8.7	F
NT6215Z	17.40	1.06	212AN	200-240V 50Hz / 230V 60Hz 1~	CSIR	21	C/V	450	16	POE 22	16.5	36.3	220.0	8.7	F
NT6217Z	20.40	1.24	212BN	200-240V 50Hz / 230V 60Hz 1~	CSIR	25	C/V	450	16	POE 22	16.5	36.3	220.0	8.7	F
NT6220Z	22.40	1.24	212CN	200-240V 50Hz / 230V 60Hz 1~	CSIR	28	C/V	450	16	POE 22	16.5	36.3	220.0	8.7	F

Note: Please check Test Conditions on page 30.

Condensing Temperature	Cooling Capacity / Evaporating Temperature °C												Drawings		MODEL	
	Subcooled conditions W												External View	Wiring Diagram		
	Rated Point +7.2°C						Cooling W	kcal/h	W. input W	Current A	EER W/W	kcal/hW				+10
°C	-15	-10	-5	0	+5								ref.	ref.		
54.4				213	266	327	351	302	137	0.80	2.55	2.20	396	DWG01	SM00	EMT37HDP
45	155	196	246	305	374								450			
54.4				213	266	327	356	306	139	0.85	2.56	2.21	396	DWG01	SM00	EMT37HDP
45	155	196	246	305	374								450			
54.4				258	315	388	421	362	158	0.95	2.66	2.29	470	DWG01	SM05	EMT45HDR
45	186	238	294	360	440								532			
54.4				288	358	440	474	408	184	1.05	2.57	2.22	532	DWG01	SM00	EMT50HDP
45	206	260	330	410	502								606			
54.4				288	358	440	474	408	182	1.10	2.58	2.23	532	DWG01	SM00	EMT50HDP
45	206	260	330	410	502								606			
54.4				250	314	387	423	364	216	1.20	1.96	1.69	471	DWG02	SM03	NB5132Z
45	180	237	302	375	455								543			
54.4				326	403	492	534	459	281	1.60	1.91	1.64	591	DWG03	SM03	NB5144Z
45	238	300	374	461	560								670			
54.4				326	403	492	534	459	281	1.60	1.91	1.64	591	DWG03	SM05	NB6144Z
45	238	300	374	461	560								670			
54.4				374	492	623	686	590	299	1.80	2.30	1.98	769	DWG03	SM03	NE5160Z
45	260	341	447	576	730								907			
54.4				374	492	623	686	590	299	1.80	2.30	1.98	769	DWG03	SM05	NE6160Z
45	260	341	447	576	730								907			
54.4				391	505	636	700	602	303	2.00	2.31	1.99	785	DWG03	SM05	NE6160Z
45	270	359	469	598	748								917			
54.4				448	577	728	801	689	344	2.00	2.32	1.98	900	DWG03	SM03	NE5170Z
45	311	411	535	683	854								1048			
54.4				443	570	718	789	679	344	1.90	2.32	1.98	885	DWG03	SM05	NE6170Z
45	314	411	532	676	844								1035			
54.4				443	570	718	789	679	344	2.30	2.32	1.98	885	DWG03	SM05	NE6170Z
45	314	411	532	676	844								1035			
54.4				637	804	997	1089	937	520	3.00	2.09	1.80	1214	DWG03	SM03	NE5187Z
45	454	586	747	936	1154								1400			
54.4				637	804	997	1089	937	520	3.00	2.09	1.80	1214	DWG03	SM05	NE6187Z
45	454	586	747	936	1154								1400			
54.4				639	809	1006	1101	947	480	2.80	2.29	1.97	1229	DWG03	SM05	NE6187Z
45	454	586	748	940	1163								1416			
54.4				723	913	1134	1240	1066	553	3.10	2.24	1.93	1384	DWG03	SM05	NE6210Z
45	513	661	843	1059	1310								1595			
54.4				316	395	488	533	459	241	1.42	2.21	1.90	594	DWG03	SM03	NEK5144Z
45	227	291	367	456	557								671			
54.4				418	526	653	716	615	297	1.90	2.41	2.07	799	DWG03	SM05	NEK6160Z
45	306	388	491	612	753								913			
54.4				413	523	653	717	616	297	2.20	2.41	2.07	803	DWG03	SM05	NEK6160Z
45	302	382	483	605	749								913			
54.4				491	613	756	827	711	347	2.07	2.38	2.05	922	DWG03	SM03	NEK5170Z
45	343	451	573	712	866								1036			
54.4				503	626	767	837	720	347	2.10	2.41	2.08	929	DWG03	SM05	NEK6170Z
45	366	460	577	714	874								1056			
54.4				502	627	772	841	723	344	2.41	2.44	2.10	938	DWG03	SM05	NEK6170Z
45	366	359	575	715	878								1064			
54.4				576	715	884	967	832	410	2.61	2.35	2.03	1077	DWG03	SM05	NEK6187Z
45	414	521	656	817	1006								1221			
54.4				592	730	887	965	830	404	2.90	2.39	2.05	1068	DWG03	SM05	NEK6187Z
45	408	524	664	828	1016								1229			
54.4				690	862	1051	1140	980	497	2.86	2.29	1.97	1257	DWG03	SM05	NEK6210Z
45	518	631	793	983	1200								1448			
54.4				620	780	995	1122	965	527	3.86	2.13	1.83	1260	DWG03	SM05	NEK6210Z
45	520	590	720	920	1148								1444			
54.4				767	960	1186	1292	1111	602	3.53	2.15	1.85	1437	DWG03	SM05	NEK6212Z
45	558	705	885	1101	1353								1635			
54.4				790	980	1198	1302	1120	613	4.05	2.12	1.83	1444	DWG03	SM06	NEK6212Z
45	562	725	912	1128	1368								1635			
54.4				780	988	1256	1486	1278	775	4.75	1.92	1.65	1620	DWG03	SM05	NEK6214Z
45	628	745	902	1140	1450								1850			
54.4				835	1068	1335	1463	1258	677	4.30	2.16	1.86	1635	DWG08	SM09	T6213Z
45	523	736	979	1252	1555								1889			
54.4				835	1068	1335	1463	1258	673	3.80	2.17	1.87	1635	DWG08	SM09	T6213Z
45	523	736	979	1252	1555								1889			
54.4				1003	1288	1616	1774	1526	807	4.50	2.20	1.89	1987	DWG08	SM09	T6215Z
45	682	894	1166	1497	1887								2336			
54.4				998	1291	1634	1800	1548	815	4.90	2.21	1.90	2026	DWG08	SM09	T6215Z
45	684	897	1169	1500	1891								2342			
54.4				998	1291	1634	1800	1548	811	4.90	2.22	1.91	2026	DWG08	SM09	T6215Z
45	684	897	1169	1500	1891								2342			
54.4				1062	1374	1737	1913	1645	867	4.80	2.20	1.89	1987	DWG08	SM09	T6217Z
45	718	973	1275	1624	2020								2464			
54.4				938	1188	1472	1608	1382	638	3.92	2.52	2.17	1786	DWG15	SM19	NT6215Z
45	664	854	1092	1375	1696								2052			
54.4				1185	1420	1712	1863	1602	773	4.68	2.41	2.07	2060	DWG15	SM19	NT6217Z
45	832	1026	1272	1570	1920								2324			
54.4				1212	1498	1844	2016	1734	862	5.24	2.34	2.01	2248	DWG15	SM19	NT6220Z
45	896	1104	1375	1712	2112								2578			

REFRIGERANT APPLICATION FREQUENCY
R 134a HBP 50Hz

MODEL	Displacement		B.O.M.	Voltage / Frequency	Motor Type	LRA	Exp. Device	Lubricant			Weight		Max. Height A		Cooling Type
	cm ³	in ³						Charge cm ³	oz ³	Type	kg	lb	mm	in	
NJ6220Z	26.20	1.60	144HA	220-240V 50Hz 1~	CSIR	35.0	C/V	750	26.0	POE 22	20.3	44.8	265.0	10.4	F
NJ6220ZX	26.20	1.60	148HM	380-420V 50Hz / 440-480V 60Hz 3~	3PHASE	10.0	C/V	750	26.0	POE 22	19.6	43.2	265.0	10.4	F
NJ6226Z	34.37	2.10	142HA	220-240V 50Hz 1~	CSR	31.0	C/V	750	26.0	POE 22	20.1	44.3	253.0	10.0	F
NJ6226ZX	34.37	2.10	148IM	380-420V 50Hz / 440-480V 60Hz 3~	3PHASE	13.0	C/V	750	26.0	POE 22	20.2	44.5	265.0	10.4	F

Note: Please check Test Conditions on page 30.

REFRIGERANT APPLICATION FREQUENCY
R 22 LBP 50Hz

MODEL	Displacement		B.O.M.	Voltage / Frequency	Motor Type	LRA	Exp. Device	Lubricant			Weight		Max. Height A		Cooling Type
	cm ³	in ³						Charge cm ³	oz ³	Type	kg	lb	mm	in	
NE2125E	8.78	0.54	261IA	220-240V 50Hz 1~	CSIR	11.0	C/V	350	12.0	AB 46	10.4	22.9	187.0	7.4	F
NE2134E	12.12	0.74	263AA	220-240V 50Hz 1~	CSIR	14.8	C/V	350	12.0	AB 46	11.5	25.4	206.0	8.1	F
T2140E-	14.50	0.88	116AA	220-240V 50Hz 1~	CSIR	22.0	C/V	550	20.0	AB 46	17.1	37.7	221.0	8.7	F
T2155E	17.40	1.06	116BA	220-240V 50Hz 1~	CSR	18.0	C/V	550	20.0	AB 46	16.3	35.9	221.0	8.7	F
T2155E	17.40	1.06	116BK	200-220V 50Hz / 230V 60Hz 1~	CSR	22.0	C/V	550	20.0	AB 46	16.3	35.9	221.0	8.7	F
T2168E	20.40	1.24	116UA	220-240V 50Hz 1~	CSR	18.0	C/V	550	20.0	AB 46	16.6	36.6	221.0	8.7	F
NJ2178E	23.50	1.43	144GA	220-240V 50Hz 1~	CSR	26.0	C/V	750	26.0	AB 46	20.2	44.5	265.0	10.4	F
NJ2190E	27.12	1.65	143NV	230V 50Hz 1~	CSR	37.0	C/V	750	26.0	AB 46	21.5	47.4	265.0	10.4	F

Note: Please check Test Conditions on page 30.

REFRIGERANT APPLICATION FREQUENCY
R 22 HBP 50Hz

MODEL	Displacement		B.O.M.	Voltage / Frequency	Motor Type	LRA	Exp. Device	Lubricant			Weight		Max. Height A		Cooling Type
	cm ³	in ³						Charge cm ³	oz ³	Type	kg	lb	mm	in	
NB6144E	4.52	0.28	294IA	220-240V 50Hz 1~	CSIR	15.3	C/V	350	12.0	AB 46	10.3	22.7	187.0	7.4	F
NB6152E	5.02	0.31	294LA	220-240V 50Hz 1~	CSIR	15.3	C/V	350	12.0	AB 46	10.5	23.1	187.0	7.4	F
NB6165E	6.05	0.37	294NA	220-240V 50Hz 1~	CSIR	13.8	C/V	350	12.0	AB 46	10.0	22.0	187.0	7.4	F
NE6181E	7.28	0.44	262LA	220-240V 50Hz 1~	CSIR	16.5	C/V	350	12.0	AB 46	10.0	22.0	200.0	7.9	F
NE5210E	8.78	0.54	262MN	200-240V 50Hz / 230V 60Hz 1~	RSIR	17.5	C	350	12.0	AB 46	10.4	22.9	200.0	7.4	F
NE6210E	8.78	0.54	261NA	220-240V 50Hz 1~	CSIR	13.8	C/V	350	12.0	AB 46	10.4	22.9	187.0	7.4	F
NE6211E	9.27	0.57	262HA	220-240V 50Hz 1~	CSIR	17.5	C/V	350	12.0	AB 46	10.4	22.9	200.0	7.9	F
T6217E	14.50	0.88	116TA	220-240V 50Hz 1~	CSR	18.0	C/V	550	20.0	AB 46	16.3	35.9	221.0	8.7	F
T6220E	17.40	1.06	116SA	220-240V 50Hz 1~	CSR	20.0	C/V	550	20.0	AB 46	16.9	37.3	221.0	8.7	F
T6220E	17.40	1.06	116JK	200-220V 50Hz / 230V 60Hz	CSR	31.0	C/V	550	20.0	AB 46	16.9	37.3	221.0	8.7	F
T6222E	20.40	1.25	116KA	220-240V 50Hz 1~	CSR	28.0	C/V	550	20.0	AB 46	17.2	38.0	221.0	8.7	F

Note: Please check Test Conditions on page 30.

FREQUENCY		APPLICATION		REFRIGERANT	
50Hz		HBP		R 134a	

Condensing Temperature °C	Cooling Capacity / Evaporating Temperature °C Subcooled conditions W												Drawings		MODEL
	-15	-10	-5	0	+5	Rated Point +7.2°C						+10	External View ref.	Wiring Diagram ref.	
						Cooling		W. input	Current	EER					
54.4			1471	1881	2330	2541	2185	978	5.70	2.60	2.24	2819	DWG14	SM14	NJ6220Z
45	962	1263	1638	2087	2610							3206			
54.4			1471	1881	2330	2541	2185	875	1.60	2.90	2.49	2819	DWG14	SM18	NJ6220ZX
45	962	1263	1638	2087	2610							3206			
54.4			1764	2226	2732	2969	2553	1232	6.00	2.41	2.07	3282	DWG14	SM17	NJ6226Z
45	1421	1791	2229	2734	3306							3945			
54.4			1764	2226	2732	2969	2553	1190	2.30	2.49	2.14	3282	DWG14	SM18	NJ6226ZX
45	1421	1791	2229	2734	3306							3945			

FREQUENCY		APPLICATION		REFRIGERANT	
50Hz		LBP		R 22	

Condensing Temperature °C	Cooling Capacity / Evaporating Temperature °C Subcooled conditions W												Drawings		MODEL
	-30	-25	Rated Point -23.3°C						-20	-15	-10	External View ref.	Wiring Diagram ref.		
			Cooling		W. input	Current	EER								
54.4			293	252	278	1.50	1.06	0.91	353	458	582	DWG03	SM05	NE2125E	
45	226	304							401	517	651				
54.4			429	369	391	2.60	1.10	0.94	518	670	843	DWG03	SM05	NE2134E	
45	331	441							576	737	924				
54.4			496	427	420	2.90	1.18	1.01	604	796	1023	DWG09	SM09	T2140E-	
45	348	482							654	866	1116				
54.4			599	515	484	2.20	1.24	1.07	731	965	1241	DWG11	SM13	T2155E	
45	427	591							798	1049	1344				
54.4			599	515	484	2.20	1.24	1.07	731	965	1241	DWG11	SM13	T2155E	
45	427	591							798	1049	1344				
54.4			759	653	585	2.70	1.30	1.12	948	1304	1744	DWG11	SM13	T2168E	
45	547	725							963	1262	1622				
54.4			912	784	729	3.30	1.25	1.08	1099	1425	1803	DWG14	SM16	NJ2178E	
45	668	918							1216	1560	1953				
54.4			1060	912	819	4.10	1.29	1.11	1280	1662	2104	DWG14	SM16	NJ2190E	
45	782	1078							1426	1826	2279				

FREQUENCY		APPLICATION		REFRIGERANT	
50Hz		HBP		R 22	

Condensing Temperature °C	Cooling Capacity / Evaporating Temperature °C Subcooled conditions W												Drawings		MODEL
	-15	-10	-5	0	+5	Rated Point +7.2°C						+10	External View ref.	Wiring Diagram ref.	
						Cooling		W. input	Current	EER					
54.4			339	419	511	555	486	289	2.00	1.92	1.65	615	DWG03	SM05	NB6144E
45	252	316	393	482	584							699			
54.4			394	483	584	632	544	351	2.10	1.80	1.55	697	DWG03	SM05	NB6152E
45	296	368	454	554	669							798			
54.4			485	592	714	772	664	439	2.70	1.76	1.51	851	DWG03	SM05	NB6165E
45	368	453	556	676	815							971			
54.4			561	705	873	954	820	414	2.60	2.32	2.00	1063	DWG03	SM05	NE6181E
45	413	523	661	826	1018							1237			
54.4			704	872	1065	1157	995	523	3.20	2.21	1.90	1281	DWG03	SM03	NE5210E
45	522	656	819	1012	1234							1486			
54.4			670	836	1026	1118	961	535	3.00	2.09	1.80	1241	DWG03	SM05	NE6210E
45	499	627	787	978	1199							1452			
54.4			783	968	1179	1290	1109	606	3.20	2.13	1.83	1425	DWG03	SM05	NE6211E
45	465	686	859	1060	1291							1548			
54.4			1073	1388	1728	1885	1621	714	3.40	2.64	2.27	2093	DWG12	SM13	T6217E
45	678	979	1306	1659	2039							2445			
54.4			1345	1682	2065	2248	1933	846	3.80	2.66	2.29	2494	DWG12	SM13	T6220E
45	886	1204	1543	1902	2283							2685			
54.4			1345	1682	2065	2248	1933	846	3.80	2.66	2.29	2494	DWG12	SM13	T6220E
45	886	1204	1543	1902	2283							2685			
54.4			1588	1980	2440	2664	2290	1185	5.76	2.25	1.93	2964	DWG12	SM12	T6222E
45	1130	1488	1888	2328	2812							3336			

REFRIGERANT APPLICATION FREQUENCY
R 22 M/HBP 50Hz

MODEL	Displacement		B.O.M.	Voltage / Frequency	Motor Type	LRA	Exp. Device	Lubricant			Weight		Max. Height A		Cooling Type
	cm ³	in ³						Charge	Type	kg	lb	mm	in		
NE9213E	12.12	0.74	263EA	220-240V 50Hz 1~	CSR	16.0	C/V	350	12.0	AB 46	11.7	25.8	206.0	8.1	F
NJ9226E	21.70	1.32	144IV	230V 50Hz 1~	CSR	27.5	C/V	750	26.0	AB 46	20.5	45.2	265.0	10.4	F
NJ9226P	21.70	1.32	148MM	380-420V 50Hz / 440-480V 60Hz 3~	3PHASE	10.0	C/V	750	26.0	AB 46	22.1	48.7	265.0	10.4	F
NJ9232E	26.20	1.60	143MV	230V 50Hz 1~	CSR	33.7	C/V	750	26.0	AB 46	21.5	47.4	277.0	10.9	F
NJ9232P	26.20	1.60	147HM	380-420V 50Hz / 440-480V 60Hz 3~	3PHASE	13.0	C/V	750	26.0	AB 46	21.2	46.7	277.0	10.9	F
NJ9238E	32.70	2.00	143QV	230V 50Hz 1~	CSR	43.0	C/V	750	26.0	AB 46	21.9	48.3	277.0	10.9	F
NJ9238P	32.70	2.00	147LM	380-420V 50Hz / 440-480V 60Hz 3~	3PHASE	22.0	C/V	750	26.0	AB 46	21.7	47.8	277.0	10.9	F

Note: Please check Test Conditions on page 30.

REFRIGERANT APPLICATION FREQUENCY
R 22 AC 50Hz

MODEL	Displacement		B.O.M.	Voltage / Frequency	Motor Type	LRA	Exp. Device	Lubricant			Weight		Max. Height A		Cooling Type
	cm ³	in ³						Charge	Type	kg	lb	mm	in		
NE7213E	12.12	0.73	264CA	220-240V 50Hz 1~	PSC	13.0	C	350	12.0	MO 32	11.6	25.6	206.0	8.1	F
NE7215E	13.54	0.81	264DA	220-240V 50Hz 1~	PSC	19.0	C	350	12.0	MO 32	11.9	26.2	206.0	8.1	F
T7220F	17.40	1.06	116WA	220-240V 50Hz 1~	PSC	26.0	C	550	20.0	MO 32	15.0	33.1	221.0	8.7	F
T7223F	20.40	1.24	116DA	220-240V 50Hz 1~	PSC	30.0	C	550	20.0	MO 32	15.9	35.0	221.0	8.7	F
NJ7225F	21.70	1.32	142GA	220-240V 50Hz 1~	PSC	30.0	C	750	26.0	MO 32	19.3	42.5	253.0	10.0	F
NJ7228F	23.50	1.45	142FA	220-240V 50Hz 1~	PSC	30.0	C	750	26.0	MO 32	20.0	44.1	253.0	10.0	F
NJ7228P	23.50	1.45	146DM	380-420V 50Hz / 440-480V 60Hz 3~	3PHASE	18.0	C/V	750	26.0	MO 32	21.5	47.4	253.0	10.0	F
NJ7231F	26.20	1.60	144EA	220-240V 50Hz 1~	PSC	37.0	C	750	26.0	MO 32	20.4	45.0	265.0	10.4	F
NJ7231P	26.20	1.60	148CM	380-420V 50Hz / 440-480V 60Hz 3~	3PHASE	18.0	C/V	750	26.0	MO 32	20.1	44.3	265.0	10.4	F
NJ7238E	32.70	2.00	143AA	220-240V 50Hz 1~	PSC	51.0	C	750	26.0	MO 32	21.4	47.2	277.0	10.9	F
NJ7238P	32.70	2.00	147AM	380-420V 50Hz / 440-480V 60Hz 3~	3PHASE	22.0	C/V	750	26.0	MO 32	20.9	46.1	277.0	10.9	F
NJ7240F	34.37	2.10	143FA	220-240V 50Hz 1~	PSC	50.0	C	750	26.0	MO 32	22.3	49.2	277.0	10.9	F
NJ7240P	34.37	2.10	147CM	380-420V 50Hz / 440-480V 60Hz 3~	3PHASE	22.0	C/V	750	26.0	MO 32	21.4	47.2	277.0	10.9	F

Note: Please check Test Conditions on page 30.

REFRIGERANT APPLICATION FREQUENCY
R 404A / R 507 LBP 50Hz

MODEL	Displacement		B.O.M.	Voltage / Frequency	Motor Type	LRA	Exp. Device	Lubricant			Weight		Max. Height A		Cooling Type
	cm ³	in ³						Charge	Type	kg	lb	mm	in		
NB2112GK	3.78	0.23	994BN	200-240V 50Hz / 230V 60Hz 1~	CSIR	8.8	C/V	350	12.0	POE 22	10.0	22.0	187.0	7.4	S
NB1117GK	4.52	0.28	994CN	200-240V 50Hz / 230V 60Hz 1~	RSIR	13.1	C	350	12.0	POE 22	10.5	23.1	187.0	7.4	F
NB2117GK	4.52	0.28	994DN	200-240V 50Hz / 230V 60Hz 1~	CSIR	9.8	C/V	350	12.0	POE 22	10.5	23.1	187.0	7.4	F
NB1121GK	6.05	0.37	995AN	200-240V 50Hz / 230V 60Hz 1~	RSIR	16.3	C	350	12.0	POE 22	11.1	24.5	200.0	7.9	F
NB2121GK	6.05	0.37	995BN	200-240V 50Hz / 230V 60Hz 1~	CSIR	15.0	C/V	350	12.0	POE 22	11.1	24.5	200.0	7.9	F

Note: Please check Test Conditions on page 30.

FREQUENCY	APPLICATION	REFRIGERANT
50Hz	M/HBP	R 22

Condensing Temperature °C	Cooling Capacity / Evaporating Temperature °C													Drawings		MODEL
	Subcooled conditions W													External View ref.	Wiring Diagram ref.	
	-20	-15	-10	-5	0	+5	Rated Point +7.2°C						+10			
W	kcal/h	W	A	W/W	kcal/hW	W	input W	Current A	W/W	EER	kcal/hW	+10				
54.4				980	1220	1491	1620	1393	674	3.10	2.40	2.06	1792	DWG03	SM06	NE9213E
45	535	535	902	1137	1406	1711							2049			
54.4				1792	2249	2769	3018	2595	1124	5.00	2.68	2.30	3352	DWG14	SM17	NJ9226E
45	968	968	1647	2086	2591	3163							3800			
54.4				1811	2257	2770	3018	2595	1134	2.10	2.66	2.29	3353	DWG14	SM18	NJ9226P
45	968	968	1647	2086	2591	3163							3800			
54.4				2159	2695	3313	3611	3105	1384	6.70	2.61	2.24	4013	DWG14	SM17	NJ9232E
45	1158	1522	1974	2514	3142	3857							4661			
54.4				2159	2695	3313	3611	3105	1371	2.80	2.63	2.26	4013	DWG14	SM18	NJ9232P
45	1158	1522	1974	2514	3142	3857							4661			
54.4				2802	3427	4131	4466	3841	1856	8.20	2.41	2.07	4914	DWG14	SM17	NJ9238E
45	1542	1967	2490	3112	3831	4648							5563			
54.4				2802	3427	4131	4466	3841	1856	4.00	2.41	2.07	4914	DWG14	SM18	NJ9238P
45	1542	1967	2490	3112	3831	4648							5563			

FREQUENCY	APPLICATION	REFRIGERANT
50Hz	AC	R 22

Condensing Temperature °C	Cooling Capacity / Evaporating Temperature °C											Drawings		MODEL	
	Subcooled conditions W											External View ref.	Wiring Diagram ref.		
	0	+5	Rated Point +7.2°C						+10	+15					
W	kcal/h	W	A	W/W	kcal/hW	W	input W	Current A	W/W	EER	kcal/hW	+10	+15		
54.4				1223	1499	1632	680	3.20	2.40	2.06	1792	2241	DWG06	SM07	NE7213E
45	1411	1717									2062	2444			
54.4				1337	1643	1790	760	3.70	2.36	2.02	1987	2368	DWG06	SM07	NE7215E
45	1565	1913									2303	2736			
54.4				1682	2065	2248	1033	5.10	2.18	1.87	2494	2970	DWG12	SM11	T7220F
45	1973	2369									2834	3365			
54.4				1947	2439	2678	1297	6.10	2.07	1.78	3000	3630	DWG12	SM11	T7223F
45	2268	2769									3390	4133			
54.4				2017	2588	2878	1132	5.40	2.54	2.18	3284	4106	DWG14	SM15	NJ7225F
45	2181	2788									3531	4410			
54.4				2325	2992	3326	1321	5.80	2.52	2.17	3786	4707	DWG14	SM15	NJ7228F
45	2749	3471									4320	5297			
54.4				2325	2992	3326	1238	2.70	2.69	2.31	3786	4707	DWG14	SM18	NJ7228P
45	2749	3471									4320	5297			
54.4				2726	3315	3596	1460	6.80	2.46	2.12	3974	4703	DWG14	SM15	NJ7231F
45	3273	3940									4704	5566			
54.4				2726	3315	3596	1335	3.10	2.69	2.31	3974	4703	DWG14	SM18	NJ7231P
45	3273	3940									4704	5566			
54.4				3328	4048	4416	1959	10.30	2.25	1.94	4931	5976	DWG14	SM15	NJ7238E
45	4059	4844									5810	6956			
54.4				3328	4048	4416	1844	3.50	2.40	2.06	4931	5976	DWG14	SM18	NJ7238P
45	4059	4844									5810	6956			
54.4				3617	4443	4838	2048	9.80	2.36	2.03	5369	6394	DWG14	SM15	NJ7240F
45	3986	4919									5981	7171			
54.4				3617	4443	4838	2018	3.80	2.40	2.06	5369	6394	DWG14	SM18	NJ7240P
45	3986	4919									5981	7171			

FREQUENCY	APPLICATION	REFRIGERANT
50Hz	LBP	R 404A / R 507

Condensing Temperature °C	Cooling Capacity / Evaporating Temperature °C													Drawings		MODEL
	Subcooled conditions W													External View ref.	Wiring Diagram ref.	
	-40	-35	-30	-25	Rated Point -23.3°C						-20	-15	-10			
W	kcal/h	W	A	W/W	kcal/hW	W	input W	Current A	W/W	EER	kcal/hW	-20	-15	-10		
54.4					132	114	130	0.90	1.01	0.87	161	210	264	DWG02	SM05	NB2112GK
45	38	64	79	118	97	136					182	234	292			
54.4				165	183	157	158	1.00	1.15	0.99	219	279	346	DWG02	SM03	NB1117GK
45	69	99	117	137	184						239	302	373			
54.4				114	160	178	153	1.10	1.09	0.94	214	274	342	DWG02	SM05	NB2117GK
45	64	95	114	134	181						237	300	373			
54.4				192	258	282	243	1.70	1.17	1.01	334	419	515	DWG02	SM03	NB1121GK
45	115	159	192	215	281						359	448	548			
54.4				192	258	282	243	1.70	1.17	1.01	334	419	515	DWG02	SM05	NB2121GK
45	115	159	192	215	281						359	448	548			

REFRIGERANT APPLICATION FREQUENCY
R 404A / R 507 LBP 50Hz

MODEL	Displacement		B.O.M.	Voltage / Frequency	Motor Type	LRA	Exp. Device	Lubricant			Weight		Max. Height A		Cooling Type
	cm ³	in ³						Charge cm ³	oz ³	Type	kg	lb	mm	in	
NE2125GK	8.78	0.54	951IA	220-240V 50Hz 1~	CSIR	13.8	C/V	350	12.0	POE 22	10.4	22.9	187.0	7.4	F
NE2134GK	12.12	0.74	953AA	220-240V 50Hz 1~	CSIR	16.4	C/V	350	12.0	POE 22	11.7	25.8	206.0	8.1	F
NEK2117GK	4.52	0.28	957BA	220-240V 50Hz 1~	CSIR	9.6	C/V	350	12.0	POE 22	10.4	22.9	187.0	7.4	S
NEK1121GK	5.45	0.33	957CA	220-240V 50Hz 1~	RSIR	15.4	C	350	12.0	POE 22	10.4	22.9	187.0	7.4	S
NEK2121GK	5.45	0.33	957DA	220-240V 50Hz 1~	CSIR	9.6	C/V	350	12.0	POE 22	10.4	22.9	187.0	7.4	S
NEK1125GK	6.20	0.38	958EA	220-240V 50Hz 1~	RSIR	20.2	C	350	12.0	POE 22	11.0	24.3	200.0	7.9	S
NEK2125GK	6.20	0.38	957EA	220-240V 50Hz 1~	CSIR	12.4	C/V	350	12.0	POE 22	10.4	22.9	187.0	7.4	F
NEK2130GK	7.40	0.46	958BA	220-240V 50Hz 1~	CSIR	16.0	C/V	350	12.0	POE 22	11.0	24.3	200.0	7.9	F
NEK1134GK	8.78	0.54	958DA	220-240V 50Hz 1~	RSIR	21.7	C	350	12.0	POE 22	11.0	24.3	200.0	7.9	F
NEK2134GK	8.78	0.54	958AA	220-240V 50Hz 1~	CSIR	16.1	C/V	350	12.0	POE 22	11.0	24.3	200.0	7.9	F
NEK1150GK	12.12	0.74	959EA	220-240V 50Hz 1~	RSIR	20.5	C	350	12.0	POE 22	11.6	25.5	206.0	8.1	F
NEK2150GK	12.12	0.74	959AA	220-240V 50Hz 1~	CSIR	19.5	C/V	350	12.0	POE 22	11.6	25.5	206.0	8.1	F
NEK2168GK	14.30	0.87	959FA	220-240V 50Hz 1~	CSIR	18.5	C/V	350	12.0	POE 22	11.6	25.5	206.0	8.1	F
NEK2168GK	14.30	0.87	959FA	220-240V 50Hz 1~	CSR	18.5	C/V	350	12.0	POE 22	11.6	25.5	206.0	8.1	F
T2155GK	14.50	0.88	936AA	220-240V 50Hz 1~	CSR	20.0	C/V	550	20.0	POE 22	16.3	35.9	221.0	8.7	F
T2155GK-	14.50	0.88	936BA	220-240V 50Hz 1~	CSIR	22.0	C/V	550	20.0	POE 22	16.6	36.6	221.0	8.7	F
T2168GK	17.40	1.06	936CA	220-240V 50Hz 1~	CSR	18.0	C/V	550	20.0	POE 22	16.8	37.0	221.0	8.7	F
T2168GK-	17.40	1.06	936DA	220-240V 50Hz 1~	CSIR	24.5	C/V	550	20.0	POE 22	17.2	37.9	221.0	8.7	F
T2178GK	20.40	1.24	936EA	220-240V 50Hz 1~	CSR	22.8	C/V	550	20.0	POE 22	17.2	37.9	221.0	8.7	F
T2178GK-	20.40	1.24	936FA	220-240V 50Hz 1~	CSIR	30.0	C/V	550	20.0	POE 22	17.3	38.1	221.0	8.7	F
T2180GK	22.40	1.37	936HA	220-240V 50Hz 1~	CSR	28.0	C/V	550	20.0	POE 22	17.3	38.1	221.0	8.7	F
T2180GJ	22.40	1.37	936IA	220-240V 50Hz 1~	CSR	30.0	C/V	550	20.0	POE 22	17.3	38.1	221.0	8.7	F
NT2168GK	14.50	0.88	922DN	200-240V 50Hz / 230V 60Hz 1~	CSIR	25.0	C/V	450	15.7	POE 22	16.8	37.0	220.0	8.7	F
NT2168GK*	14.50	0.88	922DN	200-240V 50Hz / 230V 60Hz 1~	CSR	25.0	C/V	450	15.7	POE 22	16.8	37.0	220.0	8.7	F
NT2178GK	17.40	1.06	922EA	220-240V 50Hz 1~	CSIR	25.0	C/V	450	15.7	POE 22	17.2	37.9	220.0	8.7	F
NT2178GK	17.40	1.06	922EA	220-240V 50Hz 1~	CSR	25.0	C/V	450	15.7	POE 22	17.2	37.9	220.0	8.7	F
NT2178GK	17.40	1.06	922EN	200-240V 50Hz / 230V 60Hz 1~	CSIR	26.0	C/V	450	15.7	POE 22	17.2	37.9	220.0	8.7	F
NT2178GK*	17.40	1.06	922EN	200-240V 50Hz / 230V 60Hz 1~	CSR	26.0	C/V	450	15.7	POE 22	17.2	37.9	220.0	8.7	F
NT2180GK	20.40	1.24	923HA	220-240V 50Hz 1~	CSIR	35.0	C/V	450	15.7	POE 22	18.0	39.6	234.0	9.2	F
NT2180GK*	20.40	1.24	923HA	220-240V 50Hz 1~	CSR	35.0	C/V	450	15.7	POE 22	18.0	39.6	234.0	9.2	F
NT2192GK	22.40	1.37	923EA	220-240V 50Hz 1~	CSIR	35.0	C/V	450	15.7	POE 22	18.2	40.0	234.0	9.2	F
NT2192GK	22.40	1.37	923EA	220-240V 50Hz 1~	CSR	35.0	C/V	450	15.7	POE 22	18.2	40.0	234.0	9.2	F
NJ2192GK	26.20	1.60	944AA	220-240V 50Hz 1~	CSR	26.0	C/V	750	26.0	POE 22	20.4	45.0	265.0	10.4	F
NJ2192GS	26.20	1.60	948AM	380-420V 50Hz / 440-480V 60Hz 3~	3PHASE	13.0	C/V	750	26.0	POE 22	22.8	50.3	265.0	10.4	F
NJ2212GK	34.37	2.10	943BA	220-240V 50Hz 1~	CSR	36.0	C/V	750	26.0	POE 22	21.5	47.4	277.0	10.9	F
NJ2212GS	34.37	2.10	947AM	380-420V 50Hz / 440-480V 60Hz 3~	3PHASE	13.0	C/V	750	26.0	POE 22	20.4	45.0	277.0	10.9	F

Note: Please check Test Conditions on page 30.

* Under development

	Condensing Temperature °C	Cooling Capacity / Evaporating Temperature °C													Drawings		MODEL
		Subcooled conditions W													External View ref.	Wiring Diagram ref.	
		-40	-35	Rated Point -23.3°C				Cooling W	kcal/h	W. input W	Current A	EER W/W	kcal/hW	-20			
54.4	107			170	204	303	339								292	314	2.50
45			252	351							469	605	760				
54.4			283	424	476	409	388	2.60	1.23	1.06	585	765	965	DWG03	SM05	NE2134GK	
45	125	236	363	508							671	850	1047				
54.4	109	142	163	214	235	202	182	1.25	1.29	1.11	278	352	438	DWG02	SM05	NEK2117GK	
45			184	236							297	367	449				
54.4	126	170	198	246	265	228	223	1.43	1.19	1.02	312	392	480	DWG03	SM03	NEK1121GK	
45			222	285							345	422	496				
54.4	133	170	199	259	283	243	219	1.37	1.29	1.11	334	422	523	DWG03	SM05	NEK2121GK	
45			220	283							356	442	538				
54.4	128	186	225	282	310	267	254	1.83	1.22	1.05	345	405	470	DWG03	SM03	NEK1125GK	
45			248	308							370	435	500				
54.4	156	202	243	314	341	293	279	2.04	1.22	1.05	398	494	603	DWG03	SM05	NEK2125GK	
45			262	334							420	520	633				
54.4	171	229	279	374	398	343	303	2.18	1.31	1.13	469	588	722	DWG03	SM05	NEK2130GK	
45			303	401							499	622	760				
54.4	192	256	315	415	450	388	356	2.32	1.26	1.09	532	668	822	DWG03	SM03	NEK1134GK	
45			340	445							568	710	872				
54.4	203	269	327	442	464	399	358	2.35	1.30	1.11	544	679	833	DWG03	SM05	NEK2134GK	
45			353	463							579	720	879				
54.4	270	355	430	550	595	512	484	3.15	1.23	1.06	680	820	970	DWG03	SM03	NEK1150GK	
45			465	600							756	940	1148				
54.4	286	366	445	570	616	530	497	3.10	1.24	1.07	716	888	1086	DWG03	SM05	NEK2150GK	
45			473	628							763	947	1156				
54.4	304	407	494	640	704	605	604	3.75	1.17	1.00	807	995	1205	DWG03	SM05	NEK2168GK	
45			535	687							860	1058	1280				
54.4	302	406	500	650	707	608	520	2.58	1.36	1.17	828	1030	1258	DWG03	SM06	NEK2168GK	
45			538	695							880	1095	1336				
54.4	220	299	368	524	586	504	458	2.00	1.28	1.10	717	948	1215	DWG12	SM13	T2155GK	
45			420	583							789	1037	1327				
54.4	220	299	368	524	586	504	495	3.60	1.18	1.01	717	948	1215	DWG08	SM09	T2155GK-	
45			420	583							789	1037	1327				
54.4	293	405	487	678	752	647	547	2.50	1.38	1.19	906	1169	1467	DWG10	SM13	T2168GK	
45			558	753							988	1264	1582				
54.4	293	405	487	678	752	647	617	3.90	1.22	1.05	906	1169	1467	DWG09	SM09	T2168GK-	
45			558	753							988	1264	1582				
54.4	351	496	606	827	910	783	678	3.20	1.34	1.15	1081	1368	1688	DWG11	SM13	T2178GK	
45			678	897							1155	1450	1782				
54.4	351	496	606	827	910	783	758	4.90	1.20	1.03	1081	1368	1688	DWG09	SM09	T2178GK-	
45			678	897							1155	1450	1782				
54.4	389	540	639	873	994	855	790	3.90	1.26	1.08	1147	1460	1813	DWG11	SM13	T2180GK	
45			733	969							1246	1565	1927				
54.4	389	540	639	873	994	855	810	4.00	1.23	1.06	1147	1460	1813	DWG11	SM13	T2180GJ	
45			733	969							1246	1565	1927				
54.4	250	355	435	585	642	552	502	3.50	1.28	1.10	762	968	1202	DWG16	SM19	NT2168GK	
45			488	648							835	1050	1292				
54.4	-	-	-	-	642	552	-	-	-	-	-	-	-	DWG16	SM23	NT2168GK*	
45			-	-							-	-	-				
54.4	292	432	530	718	788	678	600	3.82	1.30	1.12	935	1182	1456	DWG16	SM19	NT2178GK	
45			600	792							1010	1258	1530				
54.4	300	442	544	735	806	694	564	2.56	1.43	1.23	956	1206	1486	DWG16	SM23	NT2178GK	
45			610	808							1032	1285	1565				
54.4	320	464	560	734	800	688	696	4.30	1.15	0.99	934	1160	1370	DWG16	SM19	NT2178GK	
45			625	814							1032	1280	1492				
54.4	-	-	-	-	800	688	-	-	-	-	-	-	-	DWG16	SM23	NT2178GK*	
45			-	-							-	-	-				
54.4	380	530	648	856	934	804	749	4.66	1.25	1.07	1100	1380	1690	DWG16	SM19	NT2180GK	
45			715	936							1194	1485	1814				
54.4	-	-	-	-	934	804	-	-	-	-	-	-	-	DWG16	SM23	NT2180GK*	
45			-	-							-	-	-				
54.4	436	594	730	965	1054	906	814	4.92	1.29	1.11	1238	1552	1906	DWG16	SM19	NT2192GK	
45			796	1040							1328	1662	2038				
54.4	442	606	754	998	1088	936	744	3.46	1.46	1.26	1280	1598	1956	DWG16	SM23	NT2192GK	
45			814	1064							1358	1698	2080				
54.4	418	629	752	1021	1125	968	854	4.00	1.32	1.14	1345	1725	2161	DWG14	SM16	NJ2192GK	
45			880	1172							1503	1875	2287				
54.4	418	629	752	1021	1125	968	913	1.90	1.23	1.06	1345	1725	2161	DWG14	SM18	NJ2192GS	
45			880	1172							1503	1875	2287				
54.4	491	753	945	1333	1477	1270	1097	5.30	1.35	1.16	1775	2273	2825	DWG14	SM16	NJ2212GK	
45			1085	1486							1957	2496	3106				
54.4	491	753	945	1333	1477	1270	1139	2.00	1.30	1.12	1775	2273	2825	DWG14	SM18	NJ2212GS	
45			1085	1486							1957	2496	3106				

REFRIGERANT APPLICATION FREQUENCY
R 404A / R 507 MBP 50Hz

MODEL	Displacement		B.O.M.	Voltage / Frequency	Motor Type	LRA	Exp. Device	Lubricant			Weight		Max. Height A		Cooling Type
	cm ³	in ³						Charge	Type	kg	lb	mm	in		
NB6144GK	4.52	0.28	994IA	220-240V 50Hz 1~	CSIR	15.3	C/V	350	12.0	POE 22	10.3	22.7	187.0	7.4	F
NB6152GK	5.02	0.31	994LA	220-240V 50Hz 1~	CSIR	15.3	C/V	350	12.0	POE 22	10.3	22.7	187.0	7.4	F
NB6165GK	6.05	0.37	994NA	220-240V 50Hz 1~	CSIR	13.8	C/V	350	12.0	POE 22	10.4	22.9	187.0	7.4	F
NE5181GK	7.28	0.44	952KA	220-240V 50Hz 1~	RSIR	22.2	C	350	12.0	POE 22	11.0	24.3	200.0	7.9	F
NE6181GK	7.28	0.44	952LA	220-240V 50Hz 1~	CSIR	16.5	C/V	350	12.0	POE 22	11.0	24.3	200.0	7.9	F
NE6181GK	7.28	0.44	952LN	200-240V 50Hz / 230V 60Hz 1~	CSIR	13.4	C/V	350	12.0	POE 22	10.9	24.0	200.0	7.9	F
NE6210GK	8.78	0.54	951NA	220-240V 50Hz 1~	CSIR	13.8	C/V	350	12.0	POE 22	10.5	23.1	187.0	7.4	F
NE9213GK	12.12	0.74	953EA	220-240V 50Hz 1~	CSR	14.1	C/V	350	12.0	POE 22	10.7	23.6	206.0	8.1	F
NEK6144GK	4.52	0.28	957GA	220-240V 50Hz 1~	CSIR	9.6	C/V	350	12.0	POE 22	10.4	22.9	187.0	7.4	F
NEK6165GK	6.20	0.38	957IA	220-240V 50Hz 1~	CSIR	12.4	C/V	350	12.0	POE 22	10.4	22.9	187.0	7.4	F
NEK6181GK	7.28	0.44	957MA	220-240V 50Hz 1~	CSIR	12.0	C/V	350	12.0	POE 22	10.4	22.9	187.0	7.4	F
NEK6210GK	8.78	0.54	958CA	220-240V 50Hz 1~	CSIR	10.1	C/V	350	12.0	POE 22	11.0	24.3	200.0	7.9	F
NEK6213GK	12.12	0.74	959BA	220-240V 50Hz 1~	CSIR	19.3	C/V	350	12.0	POE 22	11.6	25.5	206.0	8.1	F
NEK6217GK	14.30	0.87	959GA	220-240V 50Hz 1~	CSR	21.5	C/V	350	12.0	POE 22	11.6	25.5	206.0	8.1	F
T6217GK	14.50	0.88	931AA	220-240V 50Hz 1~	CSIR	22.0	C/V	550	20.0	POE 22	16.6	36.6	221.0	8.7	F
T6220GK	17.40	1.06	931BA	220-240V 50Hz 1~	CSR	26.5	C/V	550	20.0	POE 22	16.7	36.8	221.0	8.7	F
T6222GK	20.40	1.25	936VA	220-240V 50Hz~	CSR	29.5	C/V	550	20.0	POE 22	16.7	36.8	221.0	8.7	F
NT6217GK	12.60	0.77	922AN	200-240V 50Hz / 230V 60Hz 1~	CSIR	25.0	C/V	450	15.7	POE 22	16.9	37.2	220.0	8.7	F
NT6217GK*	12.60	0.77	922AN	200-240V 50Hz / 230V 60Hz 1~	CSR	25.0	C/V	450	15.7	POE 22	16.9	37.2	220.0	8.7	F
NT6220GK*	14.50	0.88	922BN	200-240V 50Hz / 230V 60Hz 1~	CSIR	29.5	C/V	450	15.7	POE 22	17.2	37.8	220.0	8.7	F
NT6220GK*	14.50	0.88	922BN	200-240V 50Hz / 230V 60Hz 1~	CSR	29.5	C/V	450	15.7	POE 22	17.2	37.8	220.0	8.7	F
NT6222GK	17.40	1.06	922CN	200-240V 50Hz / 230V 60Hz 1~	CSIR	37.0	C/V	450	15.7	POE 22	17.2	37.8	220.0	8.7	F
NT6222GK*	17.40	1.06	922CN	200-240V 50Hz / 230V 60Hz 1~	CSR	37.0	C/V	450	15.7	POE 22	17.2	37.8	220.0	8.7	F
NT6226GK	22.40	1.37	923BA	220-240V 50Hz 1~	CSIR	38.0	C/V	450	15.7	POE 22	18.1	39.8	234.0	9.3	F
NT6226GK	22.40	1.37	923BA	220-240V 50Hz 1~	CSR	38.0	C/V	450	15.7	POE 22	18.1	39.8	234.0	9.3	F
NJ9226GK	21.70	1.32	944LV	230V 50Hz 1~	CSR	27.5	C/V	750	26.0	POE 22	20.8	45.9	265.0	10.4	F
NJ9226GS	21.70	1.32	948LM	380-420V 50Hz / 440-480V 60Hz 3~	3PHASE	10.0	C/V	750	26.0	POE 22	19.7	43.4	265.0	10.4	F
NJ9232GK	26.20	1.60	943NA	220-240V 50Hz 1~	CSR	43.0	C/V	750	26.0	POE 22	22.1	48.7	277.0	10.9	F
NJ9232GS	26.20	1.60	947NM	380-420V 50Hz / 440-480V 60Hz 3~	3PHASE	13.0	C/V	750	26.0	POE 22	22.1	48.7	277.0	10.9	F
NJ9238GK	32.70	2.00	943RV	230V 50Hz 1~	CSR	43.0	C/V	750	26.0	POE 22	22.1	48.7	277.0	10.9	F
NJ9238GS	32.70	2.00	947RM	380-420V 50Hz / 440-480V 60Hz 3~	3PHASE	22.0	C/V	750	26.0	POE 22	21.7	47.8	277.0	10.9	F

Note: Please check Test Conditions on page 30.

* Under development

REFRIGERANT APPLICATION FREQUENCY
R 407C AC 50Hz

MODEL	Displacement		B.O.M.	Voltage / Frequency	Motor Type	LRA	Exp. Device	Lubricant			Weight		Max. Height A		Cooling Type
	cm ³	in ³						Charge	Type	kg	lb	mm	in		
NE7213GF	12.12	0.73	954CA	220-240V 50Hz 1~	PSC	13.0	C	350	12.0	POE 22	11.6	25.6	218.0	8.6	F
NE7215GF	13.54	0.81	954HA	220-240V 50Hz 1~	PSC	19.0	C	350	12.0	POE 22	11.9	26.2	218.0	8.6	F
T7220GF	17.40	1.06	936XA	220-240V 50Hz	PSC	26.0	C/V	550	20.0	POE 22	15.0	33.1	221.0	8.7	F
T7223GF	20.40	1.24	936OA	220-240V 50Hz 1~	PSC	30.0	C	550	20.0	POE 22	15.4	34.0	221.0	8.7	F

Note: Please check Test Conditions on page 30.

FREQUENCY

APPLICATION

REFRIGERANT

50Hz

MBP

R 404A / R 507

Condensing Temperature	Cooling Capacity / Evaporating Temperature °C													Drawings		MODEL
	Subcooled conditions W													External View	Wiring Diagram	
	°C	Rated Point +7.2°C						Cooling W	kcal/h	W. input W	Current A	EER				
-20		-15	-10	-5	0	+5	W/W					kcal/hW				
54.4							598	514	320	2.10	1.87	1.61	658	DWG03	SM05	NB6144GK
45	226	288	301	375	459	553							777			
54.4							698	600	387	2.30	1.81	1.56	769	DWG03	SM05	NB6152GK
45	267	332	351	437	535	646							911			
54.4							828	712	488	2.90	1.70	1.46	909	DWG03	SM05	NB6165GK
45	327	409	429	528	641	768							1074			
54.4							1049	902	468	2.90	2.24	1.93	1165	DWG03	SM03	NE5181GK
45	361	470	488	625	784	964							1395			
54.4							1002	862	460	2.80	2.18	1.87	1118	DWG03	SM05	NE6181GK
45	340	444	456	585	738	916							1354			
54.4							1025	882	468	3.00	2.19	1.88	1137	DWG03	SM05	NE6181GK
45	356	463	479	613	767	942							1382			
54.4							1170	1006	591	3.30	1.98	1.70	1288	DWG03	SM05	NE6210GK
45	415	550	596	754	938	1147							1561			
54.4							1732	1490	768	3.50	2.26	1.94	1906	DWG04	SM06	NE9213GK
45	644	833	862	1080	1327	1602							2265			
54.4							714	614	313	1.77	2.28	1.96	786	DWG03	SM05	NEK6144GK
45	321	371	350	451	549	660							941			
54.4							965	830	471	2.54	2.04	1.76	1059	DWG03	SM05	NEK6165GK
45	436	512	520	626	751	895							1253			
54.4							1089	936	515	2.99	2.11	1.82	1200	DWG03	SM05	NEK6181GK
45	454	553	565	689	836	1006							1422			
54.4							1303	1121	628	3.49	2.07	1.79	1436	DWG03	SM05	NEK6210GK
45	566	674	669	821	999	1205							1707			
54.4							1736	1493	982	5.52	1.77	1.52	1901	DWG03	SM05	NEK6213GK
45	695	884	919	1120	1350	1610							2215			
54.4							2074	1784	1010	4.86	2.05	1.77	2263	DWG03	SM06	NEK6217GK
45	882	1075	1120	1360	1630	1932							2674			
54.4							1984	1706	1010	5.40	1.96	1.69	2184	DWG08	SM08	T6217GK
45	680	922	959	1220	1512	1833							2594			
54.4							2400	2064	1104	5.10	2.17	1.87	2647	DWG12	SM12	T6220GK
45	842	1124	1161	1471	1823	2214							3101			
54.4							2895	2490	1318	6.20	2.20	1.89	3184	DWG12	SM12	T6222GK
45	1074	1392	1456	1822	2233	2686							3794			
54.4							1820	1565	813	4.90	2.24	1.92	1955	DWG16	SM19	NT6217GK
45	700	874	890	1108	1358	1640							2445			
54.4							1820	1565	-	-	-	-	-	DWG16	SM23	NT6217GK*
45	-	-	-	-	-	-							-			
54.4							2210	1900	-	-	-	-	-	DWG16	SM19	NT6220GK*
45	-	-	-	-	-	-							-			
54.4							2210	1900	-	-	-	-	-	DWG16	SM23	NT6220GK*
45	-	-	-	-	-	-							-			
54.4							2500	2150	1200	7.10	2.08	1.79	2708	DWG16	SM19	NT6222GK
45	1005	1245	1270	1580	1920	2298							3300			
54.4							2500	2150	-	-	-	-	-	DWG16	SM23	NT6222GK*
45	-	-	-	-	-	-							-			
54.4							3220	2770	1540	8.47	2.10	1.80	3620	DWG17	SM22	NT6226GK
45	1298	1625	1704	2084	2528	3038							4275			
54.4							3356	2886	1376	6.60	2.44	2.10	3656	DWG17	SM21	NT6226GK
45	1314	1650	1744	2144	2598	3095							4298			
54.4							3249	2794	1325	5.80	2.45	2.11	3584	DWG14	SM17	NJ9226GK
45	1165	1508	1584	1998	2470	2998							4300			
54.4							3249	2794	1300	2.40	2.50	2.15	3584	DWG14	SM18	NJ9226GS
45	1165	1508	1584	1998	2470	2998							4300			
54.4							4021	3458	1576	7.20	2.55	2.19	4441	DWG14	SM17	NJ9232GK
45	1421	1841	1940	2456	3045	3706							5325			
54.4							4021	3458	1615	2.90	2.49	2.14	4441	DWG14	SM18	NJ9232GS
45	1421	1841	1940	2456	3045	3706							5325			
54.4							4827	4151	2109	9.60	2.29	1.97	5313	DWG14	SM17	NJ9238GK
45	1845	2374	2415	3014	3697	4463							6317			
54.4							4827	4151	1900	4.00	2.54	2.18	5313	DWG14	SM18	NJ9238GS
45	1845	2374	2415	3014	3697	4463							6317			

FREQUENCY

APPLICATION

REFRIGERANT

50Hz

AC

R 407C

Condensing Temperature	Cooling Capacity / Evaporating Temperature °C											Drawings		MODEL
	Subcooled conditions W											External View	Wiring Diagram	
	°C	Rated Point +7.2°C						W. input W	Current A	EER				
0		+5	W	kcal/h	W/W	kcal/hW								
54.4	1191	1472	1607	1382	664	3.20	2.42	2.08	1784	2128	DWG07	SM07	NE7213GF	
45	1384	1708							2070	2471				
54.4	1286	1607	1762	1515	726	3.60	2.43	2.09	1966	2366	DWG07	SM07	NE7215GF	
45	1531	1891							2292	2734				
54.4	1664	2071	2270	1952	982	5.00	2.31	1.99	2523	3019	DWG12	SM11	T7220GF	
45	1972	2428							2929	3476				
54.4	1951	2428	2660	2288	1151	5.90	2.31	1.99	2958	3540	DWG12	SM11	T7223GF	
45	2312	2487							3434	4074				

REFRIGERANT	APPLICATION	FREQUENCY
R 407C	AC	50Hz

MODEL	Displacement		B.O.M.	Voltage / Frequency	Motor Type	LRA	Exp. Device	Lubricant			Weight		Max. Height A		Cooling Type
	cm ³	in ³						Charge	Type	kg	lb	mm	in		
NJ7225GF	21.70	1.32	942BA	220-240V 50Hz 1~	PSC	30.0	C	750	26.0	POE 22	19.3	42.5	253.0	10.0	F
NJ7228GF	23.80	1.45	942CA	220-240V 50Hz 1~	PSC	30.0	C	750	26.0	POE 22	20.0	44.1	253.0	10.0	F
NJ7231GF	26.20	1.60	944EA	220-240V 50Hz 1~	PSC	37.0	C	750	26.0	POE 22	20.4	45.0	265.0	10.4	F
NJ7231GP	26.20	1.60	948CM	380-420V 50Hz / 440-480V 60Hz 3~	3PHASE	18.0	C/V	750	26.0	POE 22	20.1	44.3	265.0	10.4	F
NJ7240GF	34.37	2.10	943FA	220-240V 50Hz 1~	PSC	50.0	C	750	26.0	POE 22	22.3	49.2	277.0	10.9	F
NJ7240GP	34.37	2.10	947CM	380-420V 50Hz / 440-480V 60Hz 3~	3PHASE	22.0	C/V	750	26.0	POE 22	21.4	47.2	277.0	10.9	F

Note: Please check Test Conditions on page 30.

REFRIGERANT	APPLICATION	FREQUENCY
R 600a	LBP	50Hz

MODEL	Displacement		B.O.M.	Voltage / Frequency	Motor Type	LRA	Exp. Device	Lubricant			Weight		Max. Height A		Cooling Type
	cm ³	in ³						Charge	Type	kg	lb	mm	in		
NBM1114Y	10.00	0.61	817BA	220-240V 50Hz 1~	RSIR-RSCR	6.3	C	350	12.0	MO 15	10.1	22.3	187.0	7.4	S
NBM1116Y	12.30	0.75	818AA	220-240V 50Hz 1~	RSIR-RSCR	7.1	C	350	12.0	MO 15	10.7	23.6	200.0	7.9	S
NBM1118Y	14.30	0.87	818BA	220-240V 50Hz 1~	RSIR-RSCR	8.1	C	350	12.0	MO 15	10.7	23.6	200.0	7.9	S

Note: Please check Test Conditions on page 30.

REFRIGERANT	APPLICATION	FREQUENCY
R 600a	HBP	50Hz

MODEL	Displacement		B.O.M.	Voltage / Frequency	Motor Type	LRA	Exp. Device	Lubricant			Weight		Max. Height A		Cooling Type
	cm ³	in ³						Charge	Type	kg	lb	mm	in		
EMT30CDP	4.50	0.27	895FA	220-240V 50Hz 1~	RSIR	3.7	C	180	6.2	MO 7	7.1	15.7	158.0	6.2	S
EMT45CDP	6.78	0.41	896DA	220-240V 50Hz 1~	RSIR	5.8	C	180	6.2	MO 7	7.5	16.5	166.0	6.5	S
NEK6144Y	10.00	0.61	861HA	220-240V 50Hz 1~	CSIR	12.4	C/V	350	12.0	MO 32	10.4	22.9	187.0	7.4	F
NEK6160Y	12.12	0.74	861IA	220-240V 50Hz 1~	CSIR	12.4	C/V	350	12.0	MO 32	10.4	22.9	187.0	7.4	F
NEK6170Y	14.30	0.87	861LA	220-240V 50Hz 1~	CSIR	12.4	C/V	350	12.0	MO 32	10.4	22.9	187.0	7.4	F

Note: Please check Test Conditions on page 30.

FREQUENCY	APPLICATION	REFRIGERANT
50Hz	AC	R 407C

Condensing Temperature °C	Cooling Capacity / Evaporating Temperature °C Subcooled conditions W											Drawings		MODEL
	Rated Point +7.2°C											External View ref.	Wiring Diagram ref.	
	0	+5	Cooling W kcal/h		W. input W	Current A	EER W/W kcal/hW		+10	+15				
54.4	2140	2652	2897	2491	1200	6.00	2.41	2.08	3216	3835	DWG14	SM15	NJ7225GF	
45	2523	3099							3741	4448				
54.4	2347	2908	3177	2732	1316	6.60	2.41	2.08	3528	4206	DWG14	SM15	NJ7228GF	
45	2767	3399							4102	4878				
54.4	2584	3201	3497	3007	1448	7.30	2.42	2.08	3884	4630	DWG14	SM15	NJ7231GF	
45	3047	3742							4517	5370				
54.4	2584	3201	3497	3007	1398	2.70	2.50	2.15	3884	4630	DWG14	SM18	NJ7231GP	
45	3047	3742							4517	5370				
54.4	3390	4200	4587	3945	1900	9.60	2.41	2.08	5095	6074	DWG14	SM15	NJ7240GF	
45	4909	5926							7044	8267				
54.4	3390	4200	4587	3945	1833	3.40	2.50	2.15	5095	6074	DWG14	SM18	NJ7240GP	
45	4909	5926							7044	8267				

FREQUENCY	APPLICATION	REFRIGERANT
50Hz	LBP	R 600a

Condensing Temperature °C	Cooling Capacity / Evaporating Temperature °C Subcooled conditions W													Drawings		MODEL
	Rated Point -23.3°C													External View ref.	Wiring Diagram ref.	
	-30	-25	Cooling W kcal/h		W. input W	Current A	EER W/W kcal/hW		-20	-15	-10	-5				
54.4	139	139	153	132	118	0.80	1.30	1.12	184	236	295	362	DWG02	SM00	NBM1114Y	
45	114	151							196	249	311	381				
54.4	176	176	191	164	143	1.00	1.34	1.15	225	285	357	440	DWG02	SM00	NBM1116Y	
45	149	188							240	305	383	474				
54.4	203	203	221	190	162	1.10	1.37	1.18	260	330	412	507	DWG02	SM00	NBM1118Y	
45	172	217							277	351	439	541				

FREQUENCY	APPLICATION	REFRIGERANT
50Hz	HBP	R 600a

Condensing Temperature °C	Cooling Capacity / Evaporating Temperature °C Subcooled conditions W												Drawings		MODEL
	Rated Point +7.2°C												External View ref.	Wiring Diagram ref.	
	-15	-10	-5	0	+5	Cooling W kcal/h		W. input W	Current A	EER W/W kcal/hW		+10			
54.4	112	142	162	200	242	256	220	101	0.66	2.52	2.18	290	DWG01	SM00	EMT30CDP
45			180	222	268							320			
54.4			236	290	354	390	335	152	0.92	2.56	2.20	430	DWG01	SM00	EMT45CDP
45	164	209	262	322	392							477			
54.4			330	412	505	550	473	229	1.74	2.40	2.07	609	DWG03	SM05	NEK6144Y
45	234	298	373	460	563							676			
54.4			412	510	622	678	583	268	1.84	2.53	2.17	750	DWG03	SM05	NEK6160Y
45	291	370	464	572	694							833			
54.4			496	612	744	808	696	327	2.06	2.47	2.13	892	DWG03	SM05	NEK6170Y
45	354	448	558	686	831							994			

REFRIGERANT APPLICATION FREQUENCY
R 290 LBP 50Hz

MODEL	Displacement		B.O.M.	Voltage / Frequency	Motor Type	LRA	Exp. Device	Lubricant			Weight		Max. Height A		Cooling Type
	cm ³	in ³						Charge cm ³	oz ³	Type	kg	lb	mm	in	
NEK2117U	4.52	0.28	861AA	220-240V 50Hz 1~	CSIR	9.6	C/V	350	12.0	POE 22	10.4	22.9	187.0	7.4	S
NEK1121U	6.20	0.38	862BA	220-240V 50Hz 1~	RSIR	15.5	C	350	12.0	POE 22	10.4	22.9	187.0	7.4	S
NEK2121U	6.20	0.38	861BA	220-240V 50Hz 1~	CSIR	12.4	C/V	350	12.0	POE 22	10.4	22.9	187.0	7.4	F
NEK2125U	7.28	0.44	861CA	220-240V 50Hz 1~	CSIR	12.4	C/V	350	12.0	POE 22	10.4	22.9	187.0	7.4	F
NEK2125U	7.28	0.44	862DA	220-240V 50Hz 1~	CSIR	12.4	C/V	350	12.0	POE 22	10.4	22.9	200.0	7.4	S
NEK2134U	10.00	0.61	862AA	220-240V 50Hz 1~	CSIR	13.1	C/V	350	12.0	POE 22	11.0	24.3	200.0	7.9	F
NEK1150U	13.54	0.81	863BA	220-240V 50Hz 1~	RSIR	24.3	C	350	12.0	POE 22	11.6	25.5	206.0	8.1	F
NEK2150U	13.54	0.81	863AA	220-240V 50Hz 1~	CSIR	19.5	C/V	350	12.0	POE 22	11.6	25.5	206.0	8.1	F

Note: Please check Test Conditions on page 30.

REFRIGERANT APPLICATION FREQUENCY
R 290 HBP 50Hz

MODEL	Displacement		B.O.M.	Voltage / Frequency	Motor Type	LRA	Exp. Device	Lubricant			Weight		Max. Height A		Cooling Type
	cm ³	in ³						Charge cm ³	oz ³	Type	kg	lb	mm	in	
NEK6152U	5.45	0.33	861DA	220-240V 50Hz 1~	CSIR	9.6	C/V	350	12.0	POE 22	10.4	22.9	187.0	7.4	F
NEK6165U	6.20	0.38	861EA	220-240V 50Hz 1~	CSIR	12.0	C/V	350	12.0	POE 22	10.4	22.9	187.0	7.4	F
NEK6181U	7.28	0.44	861FA	220-240V 50Hz 1~	CSIR	12.0	C/V	350	12.0	POE 22	10.4	22.9	187.0	7.4	F
NEK6210U	8.78	0.54	862CA	220-240V 50Hz 1~	CSIR	16.0	C/V	350	12.0	POE 22	11.0	24.3	200.0	7.9	F

Note: Please check Test Conditions on page 30.

REFRIGERANT APPLICATION FREQUENCY
R 134a LBP 60Hz

MODEL	Displacement		B.O.M.	Voltage / Frequency	Motor Type	LRA	Exp. Device	Lubricant			Weight		Max. Height A		Cooling Type
	cm ³	in ³						Charge cm ³	oz ³	Type	kg	lb	mm	in	
NB1112Z	6.26	0.38	293FG	115V 60Hz / 100V 50Hz 1~	RSIR RSCR	20.0	C	350	12.0	POE 22	9.5	20.9	177.0	7.0	S
NB1116Z	8.40	0.51	294SG	115V 60Hz / 100V 50Hz 1~	RSIR RSCR	27.5	C	350	12.0	POE 22	9.8	21.6	187.0	7.4	S
NB1118Z	8.07	0.49	294UG	115V 60Hz / 100V 50Hz 1~	RSIR RSCR	28.0	C	350	12.0	POE 22	10.4	22.9	187.0	7.4	S
NB2116Z	8.40	0.51	294TG	115V 60Hz / 100V 50Hz 1~	CSIR	26.5	C/V	350	12.0	POE 22	9.8	21.6	187.0	7.4	S
NE2121Z	9.27	0.57	262BG	115V 60Hz / 100V 50Hz 1~	CSIR	29.0	C/V	350	12.0	POE 22	11.0	24.3	200.0	7.9	F
NE2130Z	12.12	0.74	262DG	115V 60Hz / 100V 50Hz 1~	CSIR	38.0	C/V	350	12.0	POE 22	11.0	24.3	200.0	7.9	F
NE2134Z	14.30	0.87	263CD	208-230V 60Hz / 200V 50Hz 1~	CSIR	20.4	C/V	350	12.0	POE 22	11.5	25.4	206.0	8.1	F
NE2134Z	14.30	0.87	262JG	115V 60Hz / 100V 50Hz 1~	CSIR	33.0	C/V	350	12.0	POE 22	11.5	25.4	200.0	7.9	F
T2134Z	19.04	1.16	203HG	115V 60Hz / 100V 50Hz 1~	CSIR	30.0	C/V	550	20.0	POE 22	13.1	28.9	201.0	7.9	F
T2134Z	19.04	1.16	203HD	208-230V 60Hz / 200V 50Hz 1~	CSIR	21.0	C/V	550	19.0	POE 22	13.1	28.9	201.0	7.9	F
T2134Z	19.04	1.16	207IQ	100V 50/60Hz 1~	CSIR	45.5	C/V	550	20.0	POE 22	13.1	28.9	201.0	7.9	F
T2140H	22.40	1.37	207HD	208-230V 60Hz / 200V 50Hz 1~	CSIR	26.0	C/V	550	20.0	POE 22	14.9	32.8	221.0	8.7	F
NJ2152Z	27.12	1.65	144LG	115V 60Hz / 100V 50Hz 1~	CSIR	59.0	C/V	750	26.0	POE 22	20.0	44.1	265.0	10.4	F

Note: Please check Test Conditions on page 30.

FREQUENCY	APPLICATION	REFRIGERANT
50Hz	LBP	R 290

Condensing Temperature °C	Cooling Capacity / Evaporating Temperature °C Subcooled conditions W												Drawings		MODEL	
	Rated Point -23.3°C												External View ref.	Wiring Diagram ref.		
	-40	-35	-30	-25	Cooling		W. input	Current	EER		-20	-15				-10
W	kcal/h	W	A	W/W	kcal/hW	W	A	W/W	kcal/hW	W	W	W				
54.4	84	111	133	177	188	162	158	1.24	1.19	1.03	220	274	336	DWG02	SM05	NEK2117U
45			145	192							237	294	359			
54.4	133	167	202	257	276	237	209	1.54	1.32	1.13	322	399	486	DWG03	SM03	NEK1121U
45			213	271							340	421	514			
54.4	106	141	168	225	247	212	207	1.63	1.20	1.02	293	373	465	DWG03	SM05	NEK2121U
45			187	246							317	400	495			
54.4	170	202	230	292	316	272	242	1.71	1.31	1.13	370	462	571	DWG03	SM05	NEK2125U
45			250	314							394	491	603			
54.4	160	195	215	280	300	258	232	1.75	1.30	1.12	358	445	545	DWG03	SM05	NEK2125U
45			252	325							412	515	630			
54.4	230	281	331	414	449	386	330	2.04	1.36	1.17	521	645	793	DWG03	SM05	NEK2134U
45			351	440							551	683	828			
54.4	277	362	437	557	601	517	460	3.19	1.30	1.12	697	859	1042	DWG03	SM03	NEK1150U
45			467	593							740	908	1097			
54.4	264	333	417	536	581	500	444	2.98	1.31	1.13	678	843	1031	DWG03	SM05	NEK2150U
45			441	576							723	898	1094			

FREQUENCY	APPLICATION	REFRIGERANT
50Hz	HBP	R 290

Condensing Temperature °C	Cooling Capacity / Evaporating Temperature °C Subcooled conditions W												Drawings		MODEL	
	Rated Point +7.2°C												External View ref.	Wiring Diagram ref.		
	-20	-15	-10	-5	0	+5	Cooling		W. input	Current	EER					+10
W	kcal/h	W	A	W/W	kcal/hW	W	kcal/h	W	A	W/W	kcal/hW	W	W			
54.4	299	361	388	473	570	679	720	620	284	1.72	2.53	2.18	799	DWG03	SM05	NEK6152U
45			439	534	644	771					2.18	2.18	914			
54.4	344	416	443	539	650	777	839	721	344	2.32	2.44	2.09	920	DWG03	SM05	NEK6165U
45			507	615	739	881					2.09	2.09	949			
54.4	386	471	500	611	737	885	949	816	386	2.44	2.46	2.12	1040	DWG03	SM05	NEK6181U
45			574	697	840	1011					2.12	2.12	1183			
54.4	465	574	611	747	905	1083	1168	1005	459	2.75	2.55	2.19	1281	DWG03	SM05	NEK6210U
45			700	850	1025	1225					2.19	2.19	1450			

FREQUENCY	APPLICATION	REFRIGERANT
60Hz	LBP	R 134a

Condensing Temperature °C	Cooling Capacity / Evaporating Temperature °C Subcooled conditions W												Drawings		MODEL
	Rated Point -23.3°C												External View ref.	Wiring Diagram ref.	
	-30	-25	Cooling		W. input	Current	EER		-20	-15	-10	-5			
W	kcal/h	W	kcal/h	W	A	W/W	kcal/hW	W	A	W/W	kcal/hW	W	W		
54.4	119	136	152	131	156	2.00	0.98	0.84	187	247	317	397	DWG04	SM02	NB1112Z
45			162						214	276	349	432			
54.4	157	183	203	175	194	2.90	1.05	0.90	247	326	418	523	DWG04	SM02	NB1116Z
45			209						274	352	444	548			
54.4	171	210	234	201	194	1.20	1.20	1.03	284	372	472	586	DWG04	SM02	NB1118Z
45			230						305	395	500	620			
54.4	157	183	203	175	198	2.90	1.03	0.89	247	326	418	523	DWG04	SM04	NB2116Z
45			209						274	352	444	548			
54.4	202	252	278	239	255	4.40	1.09	0.94	335	435	552	685	DWG04	SM04	NE2121Z
45			268						352	453	571	706			
54.4	267	332	367	315	309	4.90	1.18	1.01	440	565	709	871	DWG04	SM04	NE2130Z
45			350						455	580	727	895			
54.4	300	370	418	360	340	2.52	1.23	1.06	487	626	788	972	DWG04	SM04	NE2134Z
45			394						512	654	818	1006			
54.4	295	369	425	365	346	5.30	1.23	1.05	485	626	791	980	DWG04	SM04	NE2134Z
45			389						507	649	815	1006			
54.4	361	418	463	398	416	4.80	1.11	0.95	563	748	971	1234	DWG08	SM08	T2134Z
45			455						599	794	1038	1333			
54.4	361	418	463	398	394	3.10	1.17	1.01	563	748	971	1234	DWG08	SM08	T2134Z
45			455						599	794	1038	1333			
54.4	361	418	463	398	416	4.80	1.11	0.95	563	748	971	1234	DWG08	SM08	T2134Z
45			455						599	794	1038	1333			
54.4	382	455	512	440	425	2.90	1.21	1.04	640	873	1153	1481	DWG08	SM08	T2140H
45			508						692	935	1236	1596			
54.4	422	610	704	605	512	7.00	1.37	1.18	899	1223	1581	1974	DWG14	SM14	NJ2152Z
45			645						910	1215	1562	1949			

REFRIGERANT APPLICATION FREQUENCY
R 134a HBP 60Hz

MODEL	Displacement		B.O.M.	Voltage / Frequency	Motor Type	LRA	Exp. Device	Lubricant			Weight		Max. Height A		Cooling Type
	cm ³	in ³						Charge	Type	kg	lb	mm	in		
EMT37HPD	3.40	0.21	194IB	200-230V 50Hz / 208-230V 60Hz 1~	RSIR	5.4	C	180	6.2	POE 22	7.7	17.0	166.0	6.5	S
EMT50HPD	4.50	0.27	194NB	200-230V 50Hz / 208-230V 60Hz 1~	RSIR	9.1	C	180	6.2	POE 22	7.7	17.0	166.0	6.5	S
NB5125Z	3.78	0.23	293AG	115V 60Hz / 100V 50Hz 1~	RSIR	14.0	C	350	12.0	POE 22	11.5	25.4	177.0	7.0	S
NB5128Z	4.52	0.28	293BG	115V 60Hz / 100V 50Hz 1~	RSIR	17.0	C	350	12.0	POE 22	11.5	25.4	177.0	7.0	S
NB5132Z	5.02	0.31	293CG	115V 60Hz / 100V 50Hz 1~	RSIR	20.0	C	350	12.0	POE 22	9.5	20.9	177.0	7.0	S
NB6132Z	5.02	0.31	293DG	115V 60Hz / 100V 50Hz 1~	CSIR	15.1	C/V	350	12.0	POE 22	9.5	20.9	177.0	7.0	S
NB5144Z	6.05	0.37	294AG	115V 60Hz / 100V 50Hz 1~	RSIR	23.0	C	350	12.0	POE 22	9.7	21.4	187.0	7.4	F
NB6144Z	6.05	0.37	294BG	115V 60Hz / 100V 50Hz 1~	CSIR	19.3	C/V	350	12.0	POE 22	9.7	21.4	187.0	7.4	F
NE5160Z	8.00	0.49	261AG	115V 60Hz / 100V 50Hz 1~	RSIR	25.0	C	350	12.0	POE 22	9.9	21.8	187.0	7.4	F
NE6160Z	8.00	0.49	261BG	115V 60Hz / 100V 50Hz 1~	CSIR	21.5	C/V	350	12.0	POE 22	10.4	22.9	187.0	7.4	F
NE5170Z	8.78	0.54	261CG	115V 60Hz / 100V 50Hz 1~	RSIR	31.0	C	350	12.0	POE 22	10.4	22.9	187.0	7.4	F
NE6170Z	8.78	0.54	261DG	115V 60Hz / 100V 50Hz 1~	CSIR	25.0	C/V	350	12.0	POE 22	10.4	22.9	187.0	7.4	F
NE6170Z	8.78	0.54	261DD	208-230V 60Hz / 200V 50Hz 1~	CSIR	18.5	C/V	350	12.0	POE 22	10.4	22.9	187.0	7.4	F
NE5187Z	12.12	0.74	261EG	115V 60Hz / 100V 50Hz 1~	RSIR	35.0	C	350	12.0	POE 22	10.4	22.9	187.0	7.4	F
NE6187Z	12.12	0.74	261FD	208-230V 60Hz / 200V 50Hz 1~	CSIR	17.3	C/V	350	12.0	POE 22	10.4	22.9	187.0	7.4	F
NE6187Z	12.12	0.74	261FG	115V 60Hz / 100V 50Hz 1~	CSIR	29.0	C/V	350	12.0	POE 22	10.4	22.9	187.0	7.4	F
NE6210Z	13.54	0.83	262FD	208-230V 60Hz / 200V 50Hz 1~	CSIR	23.5	C/V	350	12.0	POE 22	11.0	24.3	200.0	7.9	F
NE6210Z	13.54	0.83	262FG	115V 60Hz / 100V 50Hz 1~	CSIR	37.5	C/V	350	12.0	POE 22	11.0	24.3	200.0	7.9	F
NEK6160Z	7.28	0.44	267BG	115V 60Hz / 100V 50Hz 1~	CSIR	28.5	C/V	350	12.0	POE 22	10.4	22.9	187.0	7.4	F
NEK6160Z	7.28	0.44	267BB	200-230V 50Hz / 208-230V 60Hz 1~	CSIR	13.5	C/V	350	12.0	POE 22	10.4	22.9	187.0	7.4	F
NEK6170Z	8.40	0.51	267DG	115V 60Hz / 100V 50Hz 1~	CSIR	26.5	C/V	350	12.0	POE 22	10.4	22.9	187.0	7.4	F
NEK6170Z	8.40	0.51	268DB	200-230V 50Hz / 208-230V 60Hz 1~	CSIR	16.5	C/V	350	12.0	POE 22	11.0	24.3	200.0	7.9	F
NEK6187Z	10.00	0.61	268AG	115V 60Hz / 100V 50Hz 1~	CSIR	37.0	C/V	350	12.0	POE 22	11.0	24.3	200.0	7.9	F
NEK6187Z	10.00	0.61	269BB	200-230V 50Hz / 208-230V 60Hz 1~	CSIR	19.3	C/V	350	12.0	POE 22	11.0	24.3	206.0	8.1	F
NEK6210Z	12.12	0.74	268BG	115V 60Hz / 100V 50Hz 1~	CSIR	37.0	C/V	350	12.0	POE 22	11.0	24.3	200.0	7.9	F
NEK6210Z	12.12	0.74	269EB	200-230V 50Hz / 208-230V 60Hz 1~	CSIR	20.0	C/V	350	12.0	POE 22	11.0	24.3	206.0	8.1	F
NEK6212Z	14.30	0.87	269AG	115V 60Hz / 100V 50Hz 1~	CSIR	40.0	C/V	350	12.0	POE 22	11.0	24.3	206.0	8.1	F
NEK6212Z	14.30	0.87	269AB	200-230V 50Hz / 208-230V 60Hz 1~	CSR	22.5	C/V	350	12.0	POE 22	11.0	24.3	206.0	8.1	F
T6213Z	17.40	1.06	203LG	115V 60Hz / 100V 50Hz 1~	CSIR	36.0	C/V	550	19.0	POE 22	13.7	30.2	201.0	7.9	F
T6213Z	17.40	1.06	206DD	208-230V 60Hz / 200V 50Hz~	CSIR	30.0	C/V	550	19.0	POE 22	13.7	30.2	221.0	8.7	F
T6215Z	20.40	1.24	206ZD	208-230V 60Hz / 200V 50Hz 1~	CSIR	28.8	C/V	550	20.0	POE 22	14.5	32.0	221.0	8.7	F
T6215Z	20.40	1.24	206ZG	115V 60Hz / 100V 50Hz 1~	CSIR	51.0	C/V	550	20.0	POE 22	14.5	32.0	221.0	8.7	F
T6217Z	22.40	1.36	206TD	208-230V 60Hz / 200V 50Hz 1~	CSIR	28.8	C/V	550	20.0	POE 22	16.3	35.9	221.0	8.7	F
T6217Z	22.40	1.36	206TG	115V 60Hz / 100V 50Hz 1~	CSIR	48.8	C/V	550	20.0	POE 22	16.3	35.9	221.0	8.7	F
NT6215Z	17.40	1.06	211AG	115V 60Hz / 100V 50Hz 1~	CSIR	44.0	C/V	450	16.0	POE 22	15.7	34.5	207.0	8.1	F
NT6217Z	20.40	1.24	212BG	115V 60Hz / 100V 50Hz 1~	CSIR	45.0	C/V	450	16.0	POE 22	16.5	36.3	220.0	8.7	F
NT6220Z	22.40	1.36	212CG	115V 60Hz / 100V 50Hz 1~	CSIR	54.5	C/V	450	16.0	POE 22	16.5	36.3	220.0	8.7	F
NT6220Z*	22.40	1.36	212CG	115V 60Hz / 100V 50Hz 1~	CSR	54.5	C/V	450	16.0	POE 22	16.5	36.3	220.0	8.7	F

Note: Please check Test Conditions on page 30.

* Under development

Condensing Temperature	Cooling Capacity / Evaporating Temperature °C												Drawings		MODEL	
	Subcooled conditions W												External View	Wiring Diagram		
	Rated Point +7.2°C						Cooling W	kcal/h	W. input W	Current A	EER					
°C	-15	-10	-5	0	+5	W/W					kcal/hW	+10	ref.	ref.		
54.4							422	363	170	0.95	2.47	2.13	473	DWG01	SM00	EMT37HDP
45	192	238	258	320	392								540			
54.4							562	484	221	1.20	2.54	2.19	634	DWG01	SM00	EMT50HDP
45	258	320	350	430	526								718			
54.4							351	302	189	2.20	1.85	1.60	393	DWG04	SM02	NB5125Z
45	142	185	200	256	320								458			
54.4							427	367	219	2.50	1.95	1.68	478	DWG04	SM02	NB5128Z
45	176	227	246	312	390								549			
54.4							505	434	270	3.00	1.87	1.61	563	DWG04	SM02	NB5132Z
45	213	272	298	374	463								643			
54.4							518	445	274	2.90	1.89	1.63	576	DWG04	SM04	NB6132Z
45	221	283	309	386	476								661			
54.4							617	531	350	3.80	1.77	1.52	682	DWG04	SM02	NB5144Z
45	273	345	379	468	569								767			
54.4							617	531	350	3.80	1.77	1.52	682	DWG04	SM04	NB6144Z
45	273	345	430	529	641								767			
54.4							835	718	374	4.00	2.24	1.93	925	DWG04	SM02	NE5160Z
45	315	430	466	613	766								1071			
54.4							835	718	374	4.00	2.24	1.93	925	DWG04	SM04	NE6160Z
45	315	430	466	613	766								1071			
54.4							958	824	419	4.70	2.29	1.97	1071	DWG04	SM02	NE5170Z
45	380	502	545	699	874								1228			
54.4							942	810	418	4.80	2.25	1.94	1054	DWG04	SM04	NE6170Z
45	366	490	529	683	858								1216			
54.4							967	832	419	2.64	2.31	1.99	1089	DWG04	SM04	NE6170Z
45	406	519	560	715	891								1260			
54.4							1278	1099	616	7.10	2.08	1.79	1428	DWG04	SM02	NE5187Z
45	520	675	734	935	1166								1665			
54.4							1278	1099	616	7.10	2.08	1.79	1428	DWG04	SM04	NE6187Z
45	520	675	734	935	1166								1665			
54.4							1278	1099	616	7.10	2.08	1.79	1428	DWG04	SM04	NE6187Z
45	520	675	734	935	1166								1665			
54.4							1445	1243	686	3.80	2.11	1.81	1609	DWG04	SM04	NE6210Z
45	602	775	849	1071	1324								1847			
54.4							1445	1243	686	7.60	2.11	1.81	1609	DWG04	SM04	NE6210Z
45	602	775	849	1071	1324								1847			
54.4							845	727	360	4.66	2.35	2.02	942	DWG04	SM04	NEK6160Z
45	359	455	498	625	773								1066			
54.4							842	724	349	2.40	2.41	2.07	936	DWG03	SM04	NEK6160Z
45	358	452	497	624	771								1063			
54.4							978	841	418	4.95	2.34	2.01	1090	DWG04	SM04	NEK6170Z
45	427	537	583	724	892								1236			
54.4							974	838	414	2.42	2.35	2.02	1082	DWG03	SM04	NEK6170Z
45	431	539	590	730	894								1244			
54.4							1122	965	486	5.82	2.30	1.99	1253	DWG04	SM04	NEK6187Z
45	485	603	662	828	1026								1428			
54.4							1115	959	485	2.97	2.30	1.98	1238	DWG03	SM04	NEK6187Z
45	512	630	668	833	1023								1412			
54.4							1326	1140	608	6.83	2.18	1.88	1469	DWG04	SM04	NEK6210Z
45	573	726	801	995	1219								1678			
54.4							1270	1090	605	3.75	2.10	1.80	1450	DWG03	SM04	NEK6210Z
45	520	680	720	910	1145								1658			
54.4							1518	1305	766	8.95	1.98	1.70	1680	DWG04	SM04	NEK6212Z
45	652	837	920	1143	1396								1900			
54.4							1475	1268	747	4.30	1.98	1.70	1620	DWG03	SM06	NEK6212Z
45	665	850	915	1125	1358								1890			
54.4							1712	1472	835	9.30	2.05	1.76	1913	DWG08	SM08	T6213Z
45	668	879	976	1250	1562								2174			
54.4							1712	1472	835	4.70	2.05	1.76	1913	DWG08	SM08	T6213Z
45	668	879	976	1250	1562								2174			
54.4							2075	1785	970	5.70	2.14	1.84	2325	DWG08	SM08	T6215Z
45	798	1046	1174	1507	1890								2733			
54.4							2075	1785	970	11.40	2.14	1.84	2325	DWG08	SM08	T6215Z
45	798	1046	1174	1507	1890								2733			
54.4							2233	1920	1054	5.60	2.12	1.82	2512	DWG08	SM08	T6217Z
45	862	1130	1239	1603	2027								2953			
54.4							2233	1920	1054	11.20	2.12	1.82	2512	DWG08	SM08	T6217Z
45	862	1130	1239	1603	2027								2953			
54.4							1942	1670	810	8.95	2.39	2.06	2160	DWG15	SM20	NT6215Z
45	846	1074	1174	1460	1790								2438			
54.4							2180	1874	987	10.47	2.21	1.90	2410	DWG15	SM23	NT6217Z
45	1002	1280	1338	1660	2016								2745			
54.4							2466	2121	1074	11.50	2.29	1.97	2844	DWG17	SM22	NT6220Z
45	1138	1254	1308	1684	2195								3070			
54.4							2466	2121	-	-	-	-	-	DWG17	SM21	NT6220Z*
45	-	-	-	-	-								-			

REFRIGERANT APPLICATION FREQUENCY
R 134a HBP 60Hz

MODEL	Displacement		B.O.M.	Voltage / Frequency	Motor Type	LRA	Exp. Device	Lubricant			Weight		Max. Height A		Cooling Type
	cm ³	in ³						Charge	Type	kg	lb	mm	in		
NJ6220Z	26.20	1.60	144HD	208-230V 60Hz / 200V 50Hz 1~	CSIR	42.0	C/V	750	26.0	POE 22	20.3	44.8	265.0	10.4	F
NJ6220Z	26.20	1.60	144HG	115V 60Hz / 100V 50Hz 1~	CSIR	72.0	C/V	750	26.0	POE 22	19.7	43.4	265.0	10.4	F
NJ6220ZX	26.20	1.60	148HM	380-420V 50Hz / 440-480V 60Hz 3~	3PHASE	10.0	C/V	750	26.0	POE 22	19.6	43.2	265.0	10.4	F
NJ6226Z	34.37	2.10	142HD	208-230V 60Hz / 200V 50Hz 1~	CSR	40.0	C/V	750	26.0	POE 22	20.1	44.3	253.0	10.0	F
NJ6226ZX	34.37	2.10	148IM	380-420V 50Hz / 440-480V 60Hz 3~	3PHASE	13.0	C/V	750	26.0	POE 22	20.2	44.5	265.0	10.4	F

Note: Please check Test Conditions on page 30.

REFRIGERANT APPLICATION FREQUENCY
R 22 LBP 60Hz

MODEL	Displacement		B.O.M.	Voltage / Frequency	Motor Type	LRA	Exp. Device	Lubricant			Weight		Max. Height A		Cooling Type
	cm ³	in ³						Charge	Type	kg	lb	mm	in		
NE2134E	12.12	0.74	263AD	208-230V 60Hz / 200V 50Hz 1~	CSIR	20.0	C/V	350	12.0	AB 46	11.5	25.4	206.0	8.1	F
NE2134E	12.12	0.74	263AG	115V 60Hz / 100V 50Hz 1~	CSIR	33.0	C/V	350	12.0	AB 46	11.5	25.4	206.0	8.1	F
T2140E-	14.50	0.88	116AD	208-230V 60Hz / 200V 50Hz 1~	CSIR	29.5	C/V	550	20.0	AB 46	16.5	36.4	221.0	8.7	F
T2155E	17.40	1.06	116BD	208-230V 60Hz / 200V 50Hz 1~	CSR	20.0	C/V	550	20.0	AB 46	15.6	34.4	221.0	8.7	F
T2168E	20.40	1.24	116UD	208-230V 60Hz / 200V 50Hz 1~	CSR	32.5	C/V	550	20.0	AB 46	16.6	36.6	221.0	8.7	F
NJ2178E	23.50	1.43	143RD	208-230V 60Hz / 200V 50Hz 1~	CSR	35.0	C/V	750	26.0	AB 46	22.8	50.3	277.0	10.9	F

Note: Please check Test Conditions on page 30.

REFRIGERANT APPLICATION FREQUENCY
R 22 HBP 60Hz

MODEL	Displacement		B.O.M.	Voltage / Frequency	Motor Type	LRA	Exp. Device	Lubricant			Weight		Max. Height A		Cooling Type
	cm ³	in ³						Charge	Type	kg	lb	mm	in		
NB6152E	5.02	0.31	294LG	115V 60Hz / 100V 50Hz 1~	CSIR	26.5	C/V	350	12.0	AB 46	10.5	23.1	187.0	7.4	F
NE6181E	7.28	0.44	262LD	208-230V 60Hz / 200V 50Hz 1~	CSIR	18.2	C/V	350	12.0	AB 46	10.0	22.0	200.0	7.9	F
NE6181E	7.28	0.44	262LG	115V 60Hz / 100V 50Hz 1~	CSIR	38.0	C/V	350	12.0	AB 46	10.0	22.0	200.0	7.9	F
NE6210E	8.78	0.54	261NG	115V 60Hz / 100V 50Hz 1~	CSIR	29.0	C/V	350	12.0	AB 46	10.4	22.9	187.0	7.4	F
NE6211E	10.00	0.61	263GG	115V 60Hz / 100V 50Hz 1~	CSIR	38.5	C/V	350	12.0	AB 46	11.0	24.2	206.0	8.1	F
NE6211E	10.00	0.61	262HD	208-230V 60Hz / 200V 50Hz 1~	CSIR	25.8	C/V	350	12.0	AB 46	10.4	22.9	200.0	7.9	F
T6217E-	14.50	0.88	116RG	115V 60Hz / 100V 50Hz 1~	CSIR	55.0	C/V	550	20.0	AB 46	16.1	35.5	221.0	8.7	F
T6217E	14.50	0.89	116TD	208-230V 60Hz / 200V 50Hz 1~	CSIR	30.0	C/V	550	20.0	AB 46	16.4	36.0	221.0	8.7	F
T6220E	17.40	1.06	116SD	208-230V 60Hz / 200V 50Hz 1~	CSR	30.0	C/V	550	20.0	AB 46	15.5	34.2	221.0	8.7	F
T6220E	17.40	1.06	116JG	115V 60Hz / 100V 50Hz 1~	CSR	72.0	C/V	550	20.0	AB 46	15.8	34.8	221.0	8.7	F
T6222E	20.40	1.25	116KD	208-230V 60Hz / 200V 50Hz 1~	CSR	34.0	C/V	550	20.0	AB 46	16.7	36.8	221.0	8.7	F
T6222E	20.40	1.25	106KG	115V 60Hz / 100V 50Hz	CSR	71.0	C/V	550	20.0	AB 46	16.7	36.8	221.0	8.7	F

Note: Please check Test Conditions on page 30.

FREQUENCY	APPLICATION	REFRIGERANT
60Hz	HBP	R 134a

Condensing Temperature	Cooling Capacity / Evaporating Temperature °C													Drawings		MODEL
	Subcooled conditions W													External View	Wiring Diagram	
	Rated Point +7.2°C					Cooling			EER							
°C	-15	-10	-5	0	+5	W	kcal/h	W. input W	Current A	W/W	kcal/hW	+10	ref.	ref.		
54.4																
45	1125	1478	1721	2201	2727	2973	2557	1220	7.40	2.44	2.10	3299	DWG14	SM14	NJ6220Z	
54.4																
45	1125	1478	1721	2201	2727	2973	2557	1250	13.30	2.38	2.05	3751	DWG14	SM14	NJ6220Z	
54.4																
45	1125	1478	1721	2201	2727	2973	2557	1021	1.60	2.91	2.50	3299	DWG14	SM18	NJ6220ZX	
54.4																
45	1662	2096	2064	2604	3196	3473	2987	1525	7.30	2.28	1.96	3840	DWG14	SM17	NJ6226Z	
54.4																
45	1662	2096	2064	2604	3196	3473	2987	1390	2.40	2.50	2.15	4616	DWG14	SM18	NJ6226ZX	

FREQUENCY	APPLICATION	REFRIGERANT
60Hz	LBP	R 22

Condensing Temperature	Cooling Capacity / Evaporating Temperature °C													Drawings		MODEL
	Subcooled conditions W													External View	Wiring Diagram	
	Rated Point -23.3°C					Cooling			EER							
°C	-30	-25	W	kcal/h	W. input W	Current A	W/W	kcal/hW	-20	-15	-10	ref.	ref.			
54.4																
45	401	529	513	441	469	3.10	1.09	0.94	620	800	1003	DWG04	SM04	NE2134E		
54.4																
45	401	529	513	441	469	6.10	1.09	0.94	686	873	1089	DWG04	SM04	NE2134E		
54.4																
45	407	564	580	499	578	3.40	1.00	0.86	706	931	1197	DWG09	SM08	T2140E		
54.4																
45	499	691	701	603	563	2.60	1.24	1.07	766	1013	1306	DWG11	SM13	T2155E		
54.4																
45	640	848	887	763	755	3.70	1.17	1.01	855	1129	1452	DWG11	SM13	T2168E		
54.4																
45	773	1069	1067	918	832	4.00	1.28	1.10	934	1228	1572	DWG14	SM16	NJ2178E		

FREQUENCY	APPLICATION	REFRIGERANT
60Hz	HBP	R 22

Condensing Temperature	Cooling Capacity / Evaporating Temperature °C													Drawings		MODEL
	Subcooled conditions W													External View	Wiring Diagram	
	Rated Point +7.2°C					Cooling			EER							
°C	-15	-10	-5	0	+5	W	kcal/h	W. input W	Current A	W/W	kcal/hW	+10	ref.	ref.		
54.4																
45	356	442	476	583	705	764	657	413	4.90	1.85	1.59	843	DWG04	SM04	NB6152E	
54.4																
45	501	641	692	864	1061	1156	994	511	3.00	2.26	1.94	1283	DWG04	SM04	NE6181E	
54.4																
45	501	641	692	864	1061	1156	994	511	6.00	2.26	1.94	1482	DWG04	SM04	NE6181E	
54.4																
45	615	775	823	1021	1248	1356	1166	675	7.20	2.01	1.73	1482	DWG04	SM04	NE6210E	
54.4																
45	723	904	967	1193	1446	1568	1349	779	8.70	2.01	1.73	1503	DWG04	SM04	NE6211E	
54.4																
45	664	841	953	1182	1436	1593	1370	736	4.50	2.16	1.86	1731	DWG04	SM04	NE6211E	
54.4																
45	794	1145	1048	1288	1560	2206	1897	1062	11.40	2.08	1.79	1731	DWG12	SM10	T6217E	
54.4																
45	872	1082	1255	1624	2022	2184	1878	1081	6.13	2.02	1.74	1980	DWG08	SM08	T6217E	
54.4																
45	1036	1408	1226	1582	2003	2651	2280	1173	5.60	2.26	1.94	2443	DWG12	SM12	T6220E	
54.4																
45	1036	1408	1326	1835	2391	2651	2280	1173	11.20	2.26	1.94	2808	DWG12	SM12	T6220E	
54.4																
45	1313	1638	1855	2280	2495	3052	2625	1426	6.80	2.14	1.84	2995	DWG12	SM12	T6222E	
54.4																
45	1313	1638	2026	2477	2990	3008	2587	1470	13.70	2.05	1.76	3141	DWG12	SM12	T6222E	

REFRIGERANT APPLICATION FREQUENCY
R 22 M/HBP 60Hz

MODEL	Displacement		B.O.M.	Voltage / Frequency	Motor Type	LRA	Exp. Device	Lubricant			Weight		Max. Height A		Cooling Type
	cm ³	in ³						Charge	Type	kg	lb	mm	in		
NE9213E	12.12	0.74	263ED	208-230V 60Hz / 200V 50Hz 1~	CSR	25.9	C/V	350	12.0	AB 46	11.7	25.8	206.0	8.1	F
NE9213E	12.12	0.74	263EG	115V 60Hz / 100V 50Hz 1~	CSR	36.0	C/V	350	12.0	AB 46	11.7	25.8	206.0	8.1	F
NJ9226E	21.70	1.32	144ID	208-230V 60Hz / 200V 50Hz 1~	CSR	37.0	C/V	750	26.0	AB 46	22.1	48.7	265.0	10.4	F
NJ9226P	21.70	1.32	148MM	380-420V 50Hz / 440-480V 60Hz 3~	3PHASE	10.0	C/V	750	26.0	AB 46	22.1	48.7	265.0	10.4	F
NJ9232E	26.20	1.60	143MD	208-230V 60Hz / 200V 50Hz 1~	CSR	47.0	C/V	750	26.0	AB 46	22.1	48.7	277.0	10.9	F
NJ9232P	26.20	1.60	147HM	380-420V 50Hz / 440-480V 60Hz 3~	3PHASE	13.0	C/V	750	26.0	AB 46	21.2	46.7	277.0	10.9	F
NJ9238P	32.70	2.00	147LM	380-420V 50Hz / 440-480V 60Hz 3~	3PHASE	22.0	C/V	750	26.0	AB 46	21.7	47.8	277.0	10.9	F

Note: Please check Test Conditions on page 30.

REFRIGERANT APPLICATION FREQUENCY
R 22 AC 60Hz

MODEL	Displacement		B.O.M.	Voltage / Frequency	Motor Type	LRA	Exp. Device	Lubricant			Weight		Max. Height A		Cooling Type
	cm ³	in ³						Charge	Type	kg	lb	mm	in		
NE7213E	12.12	0.73	264CG	115V 60Hz / 100V 50Hz 1~	PSC	30.0	C	350	12.0	MO 32	11.6	25.6	206.0	8.1	F
NE7215E	13.54	0.82	264DG	115V 60Hz / 100V 50Hz 1~	PSC	41.8	C	350	12.0	MO 32	11.7	25.8	206.0	8.1	F
T7223G	20.40	1.24	118ED	208-230V 60Hz / 200V 50Hz 1~	PSC	35.0	C	550	20.0	MO 32	14.9	32.8	221.0	8.7	F
T7223G	20.40	1.24	118DG	115V 60Hz / 100V 50Hz 1~	PSC	50.0	C	550	20.0	MO 32	15.3	33.7	221.0	8.7	F
NJ7225F	21.70	1.32	142GD	208-230V 60Hz / 200V 50Hz 1~	PSC	35.0	C	750	26.0	MO 32	19.3	42.5	253.0	10.0	F
NJ7228P	23.50	1.45	146DM	380-420V 50Hz / 440-480V 60Hz 3~	3PHASE	18.0	C/V	750	26.0	MO 32	21.5	47.4	253.0	10.0	F
NJ7231F	26.20	1.60	144ED	208-230V 60Hz / 200V 50Hz 1~	PSC	46.0	C	750	26.0	MO 32	20.4	45.0	265.0	10.4	F
NJ7231P	26.20	1.60	148CM	380-420V 50Hz / 440-480V 60Hz 3~	3PHASE	18.0	C/V	750	26.0	MO 32	20.1	44.3	265.0	10.4	F
NJ7238E	32.70	2.00	143AJ	230V 60Hz / 200V 50Hz 1~	PSC	58.0	C	750	26.0	MO 32	22.1	48.7	277.0	10.9	F
NJ7238P	32.70	2.00	147AM	380-420V 50Hz / 440-480V 60Hz 3~	3PHASE	22.0	C/V	750	26.0	MO 32	20.9	46.1	277.0	10.9	F
NJ7240F	34.37	2.10	143FD	208-230V 60Hz / 200V 50Hz 1~	PSC	75.0	C	750	26.0	MO 32	22.0	48.5	277.0	10.9	F
NJ7240P	34.37	2.10	147CM	380-420V 50Hz / 440-480V 60Hz 3~	3PHASE	22.0	C/V	750	26.0	MO 32	21.4	47.2	277.0	10.9	F

Note: Please check Test Conditions on page 30.

REFRIGERANT APPLICATION FREQUENCY
R 404A / R 507 LBP 60Hz

MODEL	Displacement		B.O.M.	Voltage / Frequency	Motor Type	LRA	Exp. Device	Lubricant			Weight		Max. Height A		Cooling Type
	cm ³	in ³						Charge	Type	kg	lb	mm	in		
NB2112GK	3.78	0.23	994BG	115V 60Hz / 100V 50Hz 1~	CSIR	26.5	C/V	350	12.0	POE 22	10.6	23.3	187.0	7.4	S
NB2117GK	4.52	0.28	994DG	115V 60Hz / 100V 50Hz 1~	CSIR	25.0	C/V	350	12.0	POE 22	10.5	23.1	187.0	7.4	F
NB2121GK	6.05	0.37	995BG	115V 60Hz / 100V 50Hz 1~	CSIR	34.6	C/V	350	12.0	POE 22	11.1	24.5	200.0	7.9	F
NE2125GK	8.78	0.54	951ID	208-230V 60Hz / 200V 50Hz 1~	CSIR	29.0	C/V	350	12.0	POE 22	10.4	22.9	187.0	7.4	F
NE2125GK	8.78	0.54	951IG	115V 60Hz / 100V 50Hz 1~	CSIR	29.0	C/V	350	12.0	POE 22	10.4	22.9	187.0	7.4	F
NE2134GK	12.12	0.74	953AD	208-230V 60Hz / 200V 50Hz 1~	CSIR	20.7	C/V	350	12.0	POE 22	11.7	25.8	206.0	8.1	F

Note: Please check Test Conditions on page 30.

FREQUENCY	APPLICATION	REFRIGERANT
60Hz	M/HBP	R 22

Condensing Temperature °C	Cooling Capacity / Evaporating Temperature °C Subcooled conditions W													Drawings		MODEL
	Rated Point +7.2°C											External View ref.	Wiring Diagram ref.			
	-20	-15	-10	-5	0	+5	Cooling W kcal/h		W. input W	Current A	EER W/W kcal/hW			+10		
54.4			950	1196	1477	1791	1940	1668	861	4.20	2.25	1.94	2139	DWG04	SM06	NE9213E
45	675	869	1103	1376	1688	2039							2430			
54.4			937	1177	1457	1777	1930	1660	880	7.80	2.19	1.88	2136	DWG04	SM06	NE9213E
45	681	861	1087	1358	1675	2038							2446			
54.4			1770	2222	2730	3295	3598	3095	1480	7.30	2.43	2.09	3916	DWG14	SM17	NJ9226E
45	1130	1519	1968	2478	3050	3682							4375			
54.4			1679	2119	2640	3241	3531	3037	1328	2.10	2.66	2.29	3923	DWG14	SM18	NJ9226P
45	1133	1491	1927	2441	3032	3700							4446			
54.4			1702	1827	2621	3208	4250	3655	1735	8.56	2.45	2.11	3900	DWG14	SM17	NJ9232E
45	1150	1500	1897	2356	2892	3520							4250			
54.4			1993	2526	3153	3877	4225	3634	1605	2.90	2.63	2.26	4695	DWG14	SM18	NJ9232P
45	1355	1781	2310	2941	3676	4513							5453			
54.4			2638	3278	4010	4834	5225	4494	2171	8.30	2.41	2.07	5749	DWG14	SM18	NJ9238P
45	1805	2302	2914	3640	4482	5438							6508			

FREQUENCY	APPLICATION	REFRIGERANT
60Hz	AC	R 22

Condensing Temperature °C	Cooling Capacity / Evaporating Temperature °C Subcooled conditions W											Drawings		MODEL
	Rated Point +7.2°C										External View ref.	Wiring Diagram ref.		
	0	+5	Cooling W kcal/h		W. input W	Current A	EER W/W kcal/hW		+10	+15				
54.4	1346	1683	1861	1600	810	7.00	2.30	1.98	2115	2644	DWG07	SM07	NE7213E	
45	1445	1807							2270	2839				
54.4	1560	1925	2100	1806	999	8.90	2.10	1.81	2334	2787	DWG07	SM07	NE7215E	
45	1675	2047							2464	2927				
54.4	2277	2854	3133	2694	1294	6.10	2.42	2.08	3511	4247	DWG12	SM11	T7223G	
45	2732	3264							3995	4923				
54.4	2359	2887	3133	2694	1298	11.30	2.41	2.07	3458	4070	DWG10	SM11	T7223G	
45	2732	3264							3995	4923				
54.4	2360	3027	3368	2896	1454	7.00	2.32	2.00	3842	4804	DWG14	SM15	NJ7225F	
45	2552	3262							4131	5159				
54.4	2720	3501	3891	3346	1449	2.70	2.69	2.31	4430	5507	DWG14	SM18	NJ7228P	
45	3217	4061							5055	6198				
54.4	3189	3878	4208	3619	1754	8.00	2.40	2.06	4649	5502	DWG14	SM15	NJ7231F	
45	3770	4563							5510	6612				
54.4	3189	3878	4208	3619	1561	3.20	2.70	2.32	4649	5502	DWG14	SM18	NJ7231P	
45	3770	4563							5510	6612				
54.4	3894	4736	5167	4444	2351	10.90	2.20	1.89	5769	6992	DWG14	SM15	NJ7238E	
45	4666	5730							6898	8168				
54.4	3894	4736	5167	4444	2157	3.50	2.40	2.06	5769	6992	DWG14	SM18	NJ7238P	
45	4666	5730							6898	8168				
54.4	4232	5199	5661	4868	2597	12.80	2.18	1.87	6282	7481	DWG14	SM15	NJ7240F	
45	4663	5755							6997	8391				
54.4	4232	5199	5661	4868	2362	3.90	2.40	2.06	6282	7481	DWG14	SM18	NJ7240P	
45	4663	5755							6997	8391				

FREQUENCY	APPLICATION	REFRIGERANT
60Hz	LBP	R 404A / R 507

Condensing Temperature °C	Cooling Capacity / Evaporating Temperature °C Subcooled conditions W											Drawings		MODEL		
	Rated Point -23.3°C										External View ref.	Wiring Diagram ref.				
	-40	-35	-30	-25	Cooling W kcal/h		W. input W	Current A	EER W/W kcal/hW				-20		-15	-10
54.4			101	144	157	135	155	2.10	1.01	0.87	192	248	315	DWG04	SM04	NB2112GK
45	42	82	122	166							216	276	347			
54.4			126	184	206	177	209	3.30	0.98	0.84	250	325	409	DWG04	SM04	NB2117GK
45	67	106	155	213							281	358	444			
54.4			216	291	320	275	298	4.80	1.07	0.92	378	475	583	DWG04	SM04	NB2121GK
45	124	177	241	318							406	507	620			
54.4			181	315	364	313	344	5.30	1.06	0.91	465	631	813	DWG04	SM04	NE2125GK
45	56	150	263	395							546	715	904			
54.4			181	315	364	313	344	5.30	1.06	0.91	465	631	813	DWG04	SM04	NE2125GK
45	56	150	263	395							546	715	904			
54.4			303	478	543	467	436	2.80	1.25	1.08	676	895	1137	DWG04	SM04	NE2134GK
45	102	251	416	596							792	1003	1230			

REFRIGERANT APPLICATION FREQUENCY
R 404A / R 507 LBP 60Hz

MODEL	Displacement		B.O.M.	Voltage / Frequency	Motor Type	LRA	Exp. Device	Lubricant			Weight		Max. Height A		Cooling Type
	cm ³	in ³						Charge cm ³	oz ³	Type	kg	lb	mm	in	
NE2134GK	12.12	0.74	952AG	115V 60Hz / 100V 50Hz 1~	CSIR	33.0	C/V	350	12.0	POE 22	11.7	25.8	200.0	7.9	F
NEK2117GK	4.51	0.27	957BG	115V 60Hz / 100V 50Hz 1~	CSIR	28.5	C/V	350	12.0	POE 22	10.4	22.9	187.0	7.4	F
NEK2121GK	5.45	0.33	957DG	115V 60Hz / 100V 50Hz 1~	CSIR	26.5	C/V	350	12.0	POE 22	10.4	22.9	187.0	7.4	F
NEK2125GK	6.20	0.38	957EG	115V 60Hz / 100V 50Hz 1~	CSIR	26.5	C/V	350	12.0	POE 22	10.4	22.9	187.0	7.4	F
NEK2134GK	8.78	0.54	958AG	115V 60Hz / 100V 50Hz 1~	CSIR	37.5	C/V	350	12.0	POE 22	11.0	24.3	200.0	7.9	F
NEK2134GK	8.78	0.54	959DD	208-230V 60Hz / 200V 50Hz 1~	CSIR	20.0	C/V	350	12.0	POE 22	11.6	25.6	206.0	8.1	F
NEK2150GK	12.12	0.74	959AD	208-230V 60Hz / 200V 50Hz 1~	CSIR	20.0	C/V	350	12.0	POE 22	11.6	25.6	206.0	8.1	F
NEK2150GK	12.12	0.74	959AG	115V 60Hz / 100V 50Hz 1~	CSIR	41.5	C/V	350	12.0	POE 22	11.6	25.6	206.0	8.1	F
NEK2150GK	12.12	0.74	959AG	115V 60Hz / 100V 50Hz 1~	CSR	41.5	C/V	350	12.0	POE 22	11.6	25.6	206.0	8.1	F
T2155GK	14.50	0.88	936AD	208-230V 60Hz / 200V 50Hz 1~	CSR	20.0	C/V	550	20.0	POE 22	14.6	32.2	221.0	8.7	F
T2155GK-	14.50	0.88	936BD	208-230V 60Hz / 200V 50Hz 1~	CSIR	29.5	C/V	550	20.0	POE 22	16.6	36.6	221.0	8.7	F
T2155GK-	14.50	0.88	936BG	115V 60Hz / 100V 50Hz 1~	CSIR	48.8	C/V	550	20.0	POE 22	16.3	35.9	221.0	8.7	F
T2168GK	17.40	1.06	936CD	208-230V 60Hz / 200V 50Hz 1~	CSR	32.5	C/V	550	20.0	POE 22	16.6	36.6	221.0	8.7	F
T2168GK-	17.40	1.06	936DG	115V 60Hz / 100V 50Hz 1~	CSIR	55.0	C/V	550	20.0	POE 22	17.2	37.9	221.0	8.7	F
T2178GK	20.40	1.24	936ED	208-230V 60Hz / 200V 50Hz 1~	CSR	33.0	C/V	550	20.0	POE 22	17.2	37.9	221.0	8.7	F
T2178GK	20.40	1.24	936EG	115V 60Hz / 100V 50Hz 1~	CSR	65.0	C/V	550	20.0	POE 22	16.8	37.0	221.0	8.7	F
T2180GK	22.40	1.37	936HD	208-230V 60Hz / 200V 50Hz 1~	CSR	33.0	C/V	550	20.0	POE 22	17.0	37.5	221.0	8.7	F
T2180GK	22.40	1.37	936HG	115V 60Hz / 100V 50Hz 1~	CSR	68.0	C/V	550	20.0	POE 22	17.0	37.5	221.0	8.7	F
NT2168GK	14.50	0.88	922DG	115V 60Hz / 100V 50Hz 1~	CSIR	54.5	C/V	450	15.7	POE 22	16.7	36.8	220.0	8.7	F
NT2168GK*	14.50	0.88	922DG	115V 60Hz / 100V 50Hz 1~	CSR	54.5	C/V	450	15.7	POE 22	16.7	36.8	220.0	8.7	F
NT2178GK	17.40	1.06	922EG	115V 60Hz / 100V 50Hz 1~	CSIR	66.0	C/V	450	15.7	POE 22	17.2	37.8	220.0	8.7	F
NT2178GK*	17.40	1.06	922EG	115V 60Hz / 100V 50Hz 1~	CSR	66.0	C/V	450	15.7	POE 22	17.2	37.8	220.0	8.7	F
NT2180GK	20.40	1.24	922HG	115V 60Hz / 100V 50Hz 1~	CSIR	66.0	C/V	450	15.7	POE 22	18.0	39.6	220.0	8.7	F
NT2180GK*	20.40	1.24	922HG	115V 60Hz / 100V 50Hz 1~	CSR	66.0	C/V	450	15.7	POE 22	18.0	39.6	220.0	8.7	F
NT2192GK	22.40	1.37	923EG	115V 60Hz / 100V 50Hz 1~	CSIR	56.0	C/V	450	15.7	POE 22	18.0	39.6	234.0	9.2	F
NT2192GK*	22.40	1.37	923EG	115V 60Hz / 100V 50Hz 1~	CSR	56.0	C/V	450	15.7	POE 22	18.0	39.6	234.0	9.2	F
NJ2192GK	26.20	1.60	943AD	208-230V 60Hz / 200V 50Hz 1~	CSR	40.0	C/V	750	26.0	POE 22	21.7	47.8	277.0	10.9	F
NJ2192GK	26.20	1.60	943AG	115V 60Hz / 100V 50Hz 1~	CSR	98.0	C/V	750	26.0	POE 22	21.7	47.8	277.0	10.9	F
NJ2192GS	26.20	1.60	948AM	380-420V 50Hz / 440-480V 60Hz 3~	3PHASE	13.0	C/V	750	26.0	POE 22	22.8	50.3	265.0	10.4	F
NJ2212GK	34.37	2.10	943BD	208-230V 60Hz / 200V 50Hz 1~	CSR	46.0	C/V	750	26.0	POE 22	21.8	48.1	277.0	10.9	F
NJ2212GK	34.37	2.10	943BG	115V 60Hz / 100V 50Hz 1~	CSR	86.5	C/V	750	26.0	POE 22	21.8	48.1	277.0	10.9	F
NJ2212GS	34.37	2.10	947AM	380-420V 50Hz / 440-480V 60Hz 3~	3PHASE	13.0	C/V	750	26.0	POE 22	20.4	45.0	277.0	10.9	F

Note: Please check Test Conditions on page 30.

* Under development

Condensing Temperature	Cooling Capacity / Evaporating Temperature °C													Drawings		MODEL
	Subcooled conditions W													External View	Wiring Diagram	
	Rated Point -23.3°C															
°C	-40	-35	-30	-25	Cooling		W. input	Current	EER		-20	-15	-10	ref.	ref.	
					W	kcal/h	W	A	W/W	kcal/hW						
54.4			303	487	553	476	459	5.90	1.21	1.04	689	910	1150	DWG04	SM04	NE2134GK
45	96	247	415	598							798	1013	1244			
54.4			202	263	287	247	242	3.90	1.19	1.02	337	423	520	DWG04	SM04	NEK2117GK
45	130	165	215	281							359	450	550			
54.4			255	326	355	305	286	4.04	1.24	1.07	414	515	629	DWG04	SM04	NEK2121GK
45	169	213	272	349							437	542	662			
54.4			312	395	427	367	323	4.28	1.32	1.14	494	608	737	DWG04	SM04	NEK2125GK
45	195	248	316	403							508	630	771			
54.4			402	526	571	491	433	5.50	1.32	1.13	667	828	1007	DWG04	SM04	NEK2134GK
45	251	326	423	540							688	857	1048			
54.4			380	500	544	468	420	2.80	1.29	1.11	640	798	975	DWG04	SM04	NEK2134GK
45	230	312	415	535							678	840	1025			
54.4			492	636	692	595	586	3.87	1.18	1.02	809	1009	1237	DWG04	SM04	NEK2150GK
45	336	420	536	683							862	1072	1314			
54.4			508	660	717	617	588	7.35	1.22	1.05	838	1042	1273	DWG04	SM04	NEK2150GK
45	326	425	552	707							891	1103	1344			
54.4			515	671	730	628	546	5.57	1.34	1.15	856	1069	1311	DWG04	SM06	NEK2150GK
45	328	427	557	716							904	1123	1371			
54.4			411	607	681	586	537	2.60	1.27	1.09	836	1100	1100	DWG12	SM13	T2155GK
45	257	350	491	683							923	1213	1213			
54.4			411	607	681	586	557	3.50	1.22	1.05	836	1100	1100	DWG08	SM08	T2155GK-
45	257	350	491	683							923	1213	1213			
54.4			411	607	681	586	621	7.80	1.10	0.95	836	1100	1100	DWG08	SM08	T2155GK-
45	257	350	491	683							923	1213	1213			
54.4			569	794	879	756	649	3.20	1.35	1.16	1060	1367	1367	DWG10	SM13	T2168GK
45	343	474	653	881							1156	1479	1479			
54.4			569	794	879	756	763	9.10	1.15	0.99	1060	1367	1367	DWG11	SM10	T2168GK-
45	343	474	653	881							1156	1479	1479			
54.4			716	970	1065	916	891	2.80	1.20	1.03	1264	1598	1598	DWG11	SM13	T2178GK
45	411	580	793	1050							1351	1696	1696			
54.4			716	970	1065	916	815	7.70	1.31	1.13	1264	1598	1598	DWG11	SM13	T2178GK
45	411	580	793	1050							1351	1696	1696			
54.4			776	1034	1132	974	986	4.70	1.15	0.99	1339	1692	1692	DWG11	SM13	T2180GK
45	456	632	858	1133							1458	1831	1831			
54.4			776	1034	1132	974	1020	9.70	1.11	0.95	1339	1692	1692	DWG11	SM13	T2180GK
45	456	632	858	1133							1458	1831	1831			
54.4			525	704	770	662	640	8.00	1.21	1.04	910	1150	1420	DWG17	SM22	NT2168GK
45	302	428	592	792							1034	1315	1638			
54.4			-	-	780	670	-	-	-	-	-	-	-	DWG17	SM21	NT2168GK*
45	-	-	-	-							-	-	-			
54.4			695	925	1002	862	830	10.20	1.21	1.04	1194	1496	1838	DWG17	SM22	NT2178GK
45	389	567	783	1035							1325	1650	2015			
54.4			-	-	1002	862	-	-	-	-	-	-	-	DWG17	SM21	NT2178GK*
45	-	-	-	-							-	-	-			
54.4			750	1020	1120	963	948	11.20	1.18	1.02	1326	1664	2032	DWG17	SM22	NT2180GK
45	416	626	865	1134							1432	1760	2118			
54.4			-	-	1140	980	-	-	-	-	-	-	-	DWG17	SM21	NT2180GK*
45	-	-	-	-							-	-	-			
54.4			880	1136	1230	1058	1034	11.80	1.19	1.02	1420	1726	2060	DWG17	SM22	NT2192GK
45	530	704	935	1224							1570	1970	2430			
54.4			-	-	1230	1058	-	-	-	-	-	-	-	DWG17	SM21	NT2192GK*
45	-	-	-	-							-	-	-			
54.4			880	1194	1316	1132	1011	4.90	1.30	1.12	1574	2019	2019	DWG14	SM16	NJ2192GK
45	430	685	989	1342							1745	2196	2196			
54.4			880	1194	1316	1132	1011	9.80	1.30	1.12	1574	2019	2019	DWG14	SM16	NJ2192GK
45	430	685	989	1342							1745	2196	2196			
54.4			880	1194	1316	1132	1068	1.90	1.23	1.06	1574	2019	2019	DWG14	SM18	NJ2192GS
45	430	685	989	1342							1745	2196	2196			
54.4			1105	1559	1728	1486	1154	5.40	1.50	1.29	2077	2659	2659	DWG14	SM16	NJ2212GK
45	573	880	1269	1738							2289	2921	2921			
54.4			1105	1559	1728	1486	1154	10.80	1.50	1.29	2077	2659	2659	DWG14	SM16	NJ2212GK
45	573	880	1269	1738							2289	2921	2921			
54.4			1105	1559	1728	1486	1332	2.00	1.30	1.12	2077	2659	2659	DWG14	SM18	NJ2212GS
45	573	880	1269	1738							2289	2921	2921			

REFRIGERANT APPLICATION FREQUENCY
R 404A / R 507 MBP 60Hz

MODEL	Displacement		B.O.M.	Voltage / Frequency	Motor Type	LRA	Exp. Device	Lubricant			Weight		Max. Height A		Cooling Type
	cm ³	in ³						Charge	Type	kg	lb	mm	in		
NB6144GK	4.52	0.28	994IG	115V 60Hz / 100V 50Hz 1~	CSIR	27.7	C/V	350	12.0	POE 22	10.3	22.7	187.0	7.4	F
NB6152GK	5.02	0.31	994LD	208-230V 60Hz / 200V 50Hz 1~	CSIR	16.5	C/V	350	12.0	POE 22	10.3	22.7	187.0	7.4	F
NB6152GK	5.02	0.31	994LG	115V 60Hz / 100V 50Hz 1~	CSIR	27.7	C/V	350	12.0	POE 22	10.3	22.7	187.0	7.4	F
NB6165GK	6.05	0.37	994NG	115V 60Hz / 100V 50Hz 1~	CSIR	29.8	C/V	350	12.0	POE 22	10.4	22.9	187.0	7.4	F
NB6165GK	6.05	0.37	994NU	220V 60Hz 1~	CSIR	16.5	C/V	350	12.0	POE 22	11.0	24.3	187.0	7.4	F
NE6181GK	7.28	0.44	952LG	115V 60Hz / 100V 50Hz 1~	CSIR	34.6	C/V	350	12.0	POE 22	11.0	24.3	200.0	7.9	F
NE6210GK	8.78	0.54	951ND	208-230V 60Hz / 200V 50Hz 1~	CSIR	16.8	C/V	350	12.0	POE 22	10.5	23.1	187.0	7.4	F
NE6210GK	8.78	0.54	951NG	115V 60Hz / 100V 50Hz 1~	CSIR	29.0	C/V	350	12.0	POE 22	10.5	23.1	187.0	7.4	F
NE9213GK	12.12	0.74	953ED	208-230V 60Hz / 200V 50Hz 1~	CSR	24.8	C/V	350	12.0	POE 22	11.6	25.6	206.0	8.1	F
NE9213GK	12.12	0.74	953EG	115V 60Hz / 100V 50Hz 1~	CSR	33.6	C/V	350	12.0	POE 22	11.6	25.6	206.0	8.1	F
NEK6144GK	4.52	0.28	957GD	208-230V 60Hz / 200V 50Hz 1~	CSIR	26.5	C/V	350	12.0	POE 22	10.4	22.9	187.0	7.4	F
NEK6165GK	6.20	0.38	957IG	115V 60Hz / 100V 50Hz 1~	CSIR	26.5	C/V	350	12.0	POE 22	10.4	22.9	187.0	7.4	F
NEK6181GK	7.28	0.44	957MD	208-230V 60Hz / 200V 50Hz 1~	CSIR	17.5	C/V	350	12.0	POE 22	10.4	22.9	187.0	7.4	F
NEK6181GK	7.28	0.44	957MG	115V 60Hz / 100V 50Hz 1~	CSIR	26.5	C/V	350	12.0	POE 22	10.4	22.9	187.0	7.4	F
NEK6181GK	7.28	0.44	957MG	115V 60Hz / 100V 50Hz 1~	CSR	26.5	C/V	350	12.0	POE 22	10.4	22.9	187.0	7.4	F
NEK6210GK	8.78	0.54	958CG	115V 60Hz / 100V 50Hz 1~	CSIR	38.0	C/V	350	12.0	POE 22	11.0	24.3	200.0	7.9	F
NEK6210GK	8.78	0.54	958CG	115V 60Hz / 100V 50Hz 1~	CSR	38.0	C/V	350	12.0	POE 22	11.0	24.3	200.0	7.9	F
NEK6213GK	12.12	0.74	959BG	115V 60Hz / 100V 50Hz 1~	CSIR	51.0	C/V	350	12.0	POE 22	11.6	25.6	206.0	8.1	F
NEK6213GK	12.12	0.74	959BG	115V 60Hz / 100V 50Hz 1~	CSR	51.0	C/V	350	12.0	POE 22	11.6	25.6	206.0	8.1	F
T6217GK	14.50	0.89	931AD	208-230V 60Hz / 200V 50Hz 1~	CSIR	30.0	C/V	550	20.0	POE 22	16.9	37.3	221.0	8.7	F
T6217GK	14.50	0.89	931AG	115V 60Hz / 100V 50Hz 1~	CSIR	57.0	C/V	550	20.0	POE 22	16.9	37.3	221.0	8.7	F
T6220GK	17.40	1.06	931BD	208-230V 60Hz / 200V 50Hz 1~	CSR	30.0	C/V	550	20.0	POE 22	15.8	34.8	221.0	8.7	F
T6220GK	17.40	1.06	931BG	115V 60Hz / 100V 50Hz 1~	CSIR	57.0	C/V	550	20.0	POE 22	15.8	34.8	221.0	8.7	F
T6222GK	20.40	1.24	936VD	208-230V 60Hz / 200V 50Hz 1~	CSR	34.0	C/V	550	20.0	POE 22	16.7	36.8	221.0	8.7	F
T6222GK	20.40	1.24	936VG	115V 60Hz / 100V 50Hz 1~	CSR	71.0	C/V	550	20.0	POE 22	16.7	36.8	221.0	8.7	F
NT6217GK	12.60	0.77	922AG	115V 60Hz / 100V 50Hz 1~	CSIR	50.0	C/V	450	15.7	POE 22	16.7	36.8	220.0	8.7	F
NT6217GK*	12.60	0.77	922AG	115V 60Hz / 100V 50Hz 1~	CSR	50.0	C/V	450	15.7	POE 22	16.7	36.8	220.0	8.7	F
NT6220GK	14.50	0.89	922BD	208-230V 60Hz / 200V 50Hz 1~	CSIR	26.5	C/V	450	15.7	POE 22	16.9	36.8	220.0	8.7	F
NT6220GK*	14.50	0.89	922BD	208-230V 60Hz / 200V 50Hz 1~	CSR	26.5	C/V	450	15.7	POE 22	16.9	36.8	220.0	8.7	F
NT6220GK	14.50	0.89	922BG	115V 60Hz / 100V 50Hz 1~	CSIR	54.5	C/V	450	15.7	POE 22	16.7	36.8	220.0	8.7	F
NT6220GK*	14.50	0.89	922BG	115V 60Hz / 100V 50Hz 1~	CSR	54.5	C/V	450	15.7	POE 22	16.7	36.8	220.0	8.7	F
NT6222GK	17.40	1.06	922CG	115V 60Hz / 100V 50Hz 1~	CSIR	70.0	C/V	450	15.7	POE 22	17.2	37.8	220.0	8.7	F
NT6222GK*	17.40	1.06	922CG	115V 60Hz / 100V 50Hz 1~	CSR	70.0	C/V	450	15.7	POE 22	17.2	37.8	220.0	8.7	F
NT6226GK	22.40	1.37	923BD	208-230V 60Hz / 200V 50Hz 1~	CSIR	43.0	C/V	450	15.7	POE 22	18.0	39.6	234.0	9.2	F
NT6226GK*	22.40	1.37	923BD	208-230V 60Hz / 200V 50Hz 1~	CSR	43.0	C/V	450	15.7	POE 22	18.0	39.6	234.0	9.2	F
NT6226GK	22.40	1.37	923BG	115V 60Hz / 100V 50Hz 1~	CSR	77.0	C/V	450	15.7	POE 22	18.0	39.6	234.0	9.2	F
NJ9226GK	21.70	1.32	944LD	208-230V 60Hz / 200V 50Hz 1~	CSR	34.0	C/V	750	26.0	POE 22	22.1	48.7	265.0	10.4	F
NJ9226GS	21.70	1.32	948LM	380-420V 50Hz / 440-480V 60Hz 3~	3PHASE	10.0	C/V	750	26.0	POE 22	19.7	43.4	265.0	10.4	F
NJ9232GK	26.20	1.60	943ND	208-230V 60Hz / 200V 50Hz 1~	CSR	40.0	C/V	750	26.0	POE 22	21.8	48.1	277.0	10.9	F
NJ9232GS	26.20	1.60	947NM	380-420V 50Hz / 440-480V 60Hz 3~	3PHASE	13.0	C/V	750	26.0	POE 22	22.1	48.7	277.0	10.9	F
NJ9238GK	32.70	2.00	943RJ	230V 60Hz / 200V 50Hz 1~	CSR	59.0	C/V	750	26.0	POE 22	22.1	48.7	277.0	10.9	F
NJ9238GS	32.70	2.00	947RM	380-420V 50Hz / 440-480V 60Hz 3~	3PHASE	22.0	C/V	750	26.0	POE 22	21.7	47.8	277.0	10.9	F

Note: Please check Test Conditions on page 30.

* Under development

	Condensing Temperature °C	Cooling Capacity / Evaporating Temperature °C Subcooled conditions W													Drawings		MODEL
		-20	-15	-10	-5	0	+5	Rated Point +7.2°C				+10	External View ref.	Wiring Diagram ref.			
								W	kcal/h	W. input W	Current A				W/W	EER kcal/hW	
54.4	45	260	330	344	431	530	642	695	598	379	4.70	1.83	1.57	767	DWG04	SM04	NB6144GK
54.4	45	330	398	400	494	603	722	785	675	478	2.80	1.64	1.41	860	DWG04	SM04	NB6152GK
54.4	45	322	404	420	518	630	755	815	701	467	5.30	1.74	1.50	894	DWG04	SM04	NB6152GK
54.4	45	378	471	496	611	743	890	960	826	605	7.10	1.59	1.37	1054	DWG04	SM04	NB6165GK
54.4	45	408	490	535	620	715	858	920	790	616	3.40	1.49	1.28	1015	DWG04	SM04	NB6165GK
54.4	45	429	567	588	754	941	1148	1246	1072	584	6.60	2.13	1.83	1377	DWG04	SM04	NE6181GK
54.4	45	551	702	713	898	1104	1333	1441	1239	748	4.30	1.93	1.66	1584	DWG04	SM04	NE6210GK
54.4	45	539	697	713	904	1119	1358	1470	1264	736	8.00	2.00	1.72	1620	DWG04	SM04	NE6210GK
54.4	45	764	978	1007	1256	1543	1867	2021	1738	1026	9.10	1.97	1.69	2228	DWG04	SM06	NE9213GK
54.4	45	764	978	1230	1522	1853	2224	2021	1738	1026	9.10	1.97	1.69	2228	DWG04	SM06	NE9213GK
54.4	45	328	408	430	525	628	744	800	688	389	2.25	2.07	1.77	872	DWG04	SM04	NEK6144GK
54.4	45	481	586	614	743	894	1066	1150	990	584	6.14	1.97	1.69	1260	DWG04	SM04	NEK6165GK
54.4	45	516	643	674	812	985	1190	1290	1110	624	3.60	2.07	1.78	1430	DWG04	SM04	NEK6181GK
54.4	45	441	588	667	790	949	1147	1247	1072	619	6.70	2.01	1.73	1383	DWG04	SM04	NEK6181GK
54.4	45	528	658	684	840	1022	1225	1320	1136	568	5.28	2.32	2.00	1450	DWG04	SM06	NEK6181GK
54.4	45	647	793	823	998	1207	1451	1569	1349	756	8.18	2.07	1.78	1728	DWG04	SM04	NEK6210GK
54.4	45	645	790	982	1206	1462	1752	1612	1386	700	6.70	2.30	1.98	1772	DWG04	SM06	NEK6210GK
54.4	45	816	1005	1064	1289	1541	1870	1951	1678	1151	12.82	1.69	1.46	2124	DWG04	SM04	NEK6213GK
54.4	45	829	1028	1231	1459	1797	2136	2067	1777	1055	10.55	1.96	1.68	2265	DWG04	SM06	NEK6213GK
54.4	45	795	1079	1122	1428	1769	2144	2321	1996	1268	6.90	1.83	1.57	2555	DWG08	SM08	T6217GK
54.4	45	795	1079	1398	1754	2145	2572	2321	1996	1250	13.00	1.86	1.60	3035	DWG12	SM10	T6217GK
54.4	45	1017	1307	1358	1721	2132	2591	2808	2415	1324	6.50	2.12	1.82	3097	DWG12	SM12	T6220GK
54.4	45	1017	1307	1650	2046	2495	2997	2808	2415	1557	15.20	1.80	1.55	3551	DWG12	SM10	T6220GK
54.4	45	1225	1621	1682	2093	2551	3058	3296	2835	1668	8.10	1.98	1.70	3612	DWG12	SM12	T6222GK
54.4	45	1225	1621	2065	2559	3102	3693	3296	2835	1668	15.90	1.98	1.70	4334	DWG12	SM12	T6222GK
54.4	45	940	1105	1094	1356	1658	2000	2164	1860	984	10.46	2.20	1.89	2380	DWG16	SM20	NT6217GK
54.4	45	-	-	1332	1620	1970	2380	-	-	-	-	-	-	2850	DWG16	SM20	NT6217GK*
54.4	45	972	1240	1266	1554	1882	2248	2424	2084	1212	6.84	2.00	1.72	2654	DWG16	SM20	NT6220GK
54.4	45	-	-	1567	1888	2274	2720	2424	2084	-	-	-	-	3208	DWG16	SM23	NT6220GK*
54.4	45	952	1224	1270	1578	1920	2300	2480	2132	1160	12.20	2.14	1.84	2720	DWG17	SM22	NT6220GK
54.4	45	-	-	1542	1908	2320	2780	-	-	-	-	-	-	3288	DWG17	SM21	NT6220GK*
54.4	45	1265	1548	1585	1950	2360	2820	3040	2615	1428	15.00	2.13	1.83	3340	DWG17	SM22	NT6222GK
54.4	45	-	-	1896	2312	2794	3344	3040	2615	-	-	-	-	3960	DWG17	SM21	NT6222GK*
54.4	45	1582	1928	1986	2410	2892	3432	3689	3173	2089	11.83	1.77	1.52	4028	DWG17	SM22	NT6226GK
54.4	45	-	-	2348	2840	3405	4044	3689	3173	-	-	-	-	4755	DWG17	SM21	NT6226GK*
54.4	45	1604	1992	2076	2532	3043	3613	3884	3340	1830	17.10	2.12	1.82	4240	DWG17	SM21	NT6226GK
54.4	45	1363	1764	2445	2966	3554	4208	-	-	-	-	-	-	4930	DWG17	SM21	NT6226GK
54.4	45	1363	1764	1853	2338	2890	3508	3801	3269	1675	8.40	2.27	1.95	4194	DWG14	SM17	NJ9226GK
54.4	45	1363	1764	2249	2819	3472	4210	3801	3269	1521	2.40	2.50	2.15	5032	DWG14	SM18	NJ9226GS
54.4	45	1662	2154	2270	2873	3562	4336	4704	4045	1960	9.70	2.40	2.06	5196	DWG14	SM17	NJ9232GK
54.4	45	1662	2154	2754	3462	4277	5200	4704	4045	1887	3.00	2.49	2.14	6230	DWG14	SM18	NJ9232GS
54.4	45	2016	2640	2270	2873	3562	4336	5184	4458	2545	11.80	2.04	1.75	5196	DWG14	SM17	NJ9238GK
54.4	45	2158	2778	2692	3335	4044	4820	5647	4856	2223	4.10	2.54	2.18	6216	DWG14	SM18	NJ9238GS
54.4	45	-	-	3315	4045	4830	5668	-	-	-	-	-	-	6560	DWG14	SM18	NJ9238GS
54.4	45	-	-	2825	3527	4326	5222	-	-	-	-	-	-	7391	DWG14	SM18	NJ9238GS

REFRIGERANT	APPLICATION	FREQUENCY
R 407C	AC	60Hz

MODEL	Displacement		B.O.M.	Voltage / Frequency	Motor Type	LRA	Exp. Device	Lubricant			Weight		Max. Height A		Cooling Type
	cm ³	in ³						Charge cm ³	oz ³	Type	kg	lb	mm	in	
NJ7231GP	26.20	1.60	948CM	380-420V 50Hz / 440-480V 60Hz 3~	3PHASE	18.0	C/V	750	26.0	POE 22	20.1	44.3	265.0	10.4	F
NJ7240GP	34.37	2.10	947CM	380-420V 50Hz / 440-480V 60Hz 3~	3PHASE	22.0	C/V	750	26.0	POE 22	21.4	47.2	277.0	10.9	F

Note: Please check Test Conditions on page 30.

REFRIGERANT	APPLICATION	FREQUENCY
R 600a	LBP	60Hz

MODEL	Displacement		B.O.M.	Voltage / Frequency	Motor Type	LRA	Exp. Device	Lubricant			Weight		Max. Height A		Cooling Type
	cm ³	in ³						Charge cm ³	oz ³	Type	kg	lb	mm	in	
NBM1112Y	8.40	0.51	817AD	208-230V 60Hz / 200V 50Hz 1~	RSIR RSCR	8.4	C	350	12.0	MO 15	10.1	22.3	187.0	7.4	S
NBM1116Y	12.30	0.75	818AU	220V 60Hz 1~	RSIR RSCR	7.1	C	350	12.0	MO 15	10.7	23.6	200.0	7.9	S

Note: Please check Test Conditions on page 30.

FREQUENCY	APPLICATION	REFRIGERANT
60Hz	AC	R 407C

Condensing Temperature °C	Cooling Capacity / Evaporating Temperature °C Subcooled conditions W										Drawings		MODEL
	0	+5	Rated Point +7.2°C						+10	+15	External View ref.	Wiring Diagram ref.	
			W	kcal/h	W. input W	Current A	W/W	EER kcal/hW					
54.4	3049	3778	4126	3548	1733	3.40	2.38	2.05	4583	5464	DWG14	SM18	NJ7231GP
45	3595	4415							5329	6337			
54.4	4000	4956	5413	4655	2274	4.20	2.38	2.05	6012	7167	DWG14	SM18	NJ7240GP
45	4716	5793							6992	8313			

FREQUENCY	APPLICATION	REFRIGERANT
60Hz	LBP	R 600a

Condensing Temperature °C	Cooling Capacity / Evaporating Temperature °C Subcooled conditions W										Drawings		MODEL		
	-30	-25	Rated Point -23.3°C						-20	-15	-10	-5		External View ref.	Wiring Diagram ref.
			W	kcal/h	W. input W	Current A	W/W	EER kcal/hW							
54.4		137	150	129	124	1.00	1.22	1.05	179	228	283	345	DWG02	SM00	NBM1112Y
45	113	147							189	239	299	367			
54.4		206	224	193	168	1.00	1.34	1.15	263	334	418	515	DWG02	SM00	NBM1116Y
45	175	220							281	357	448	555			

GENERAL INFORMATION

Motor Type

Type	Description
RSIR	Resistive Start Inductive Run
RSCR	Resistive Start Capacitive Run
CSIR	Capacitive Start Inductive Run
CSR	Capacitive Start and Run
PSC	Permanent Split Capacitor
THREE PHASE	Star Connection

Cooling Types

Type	Description
S	(Static cooling) - the compressor doesn't need forced cooling, but it must be installed in order to guarantee natural air circulation by convection, to avoid overheating.
F	(Fan cooling) - the compressor needs forced cooling by the use of a motor fan.
OC	(Oil Cooling) - coil positioned in the lower internal part of the housing, immersed in the lubricant. where the gas coming from the first part of the heat exchanger circuit cools the lubricant.

Conversion

1 watt	3.41 Btu/h
1 watt	0.86 kcal/h
1 kcal/h	3.97 Btu/h

Expansion Devices

Type	Description
C	Capillary
V	Expansion valve

Lubricant Used

Code	Type
AB	alkylbenzene
MO	mineral
POE	polyolester

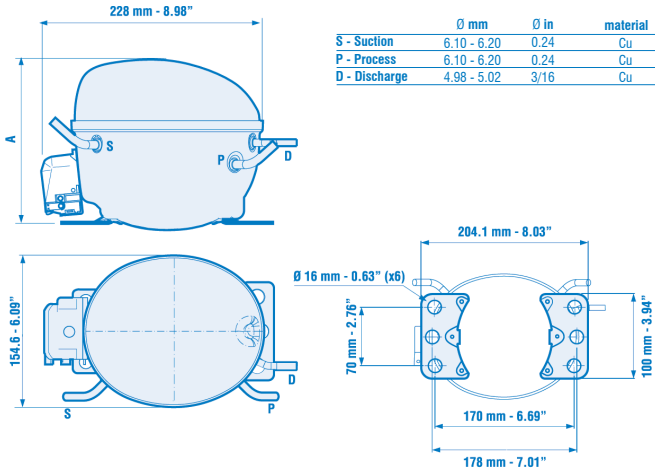
Test Conditions

Temperature	Subcooled Liquid Conditions					
	LBP		MBP-HBP		AC	
	°C	°F	°C	°F	°C	°F
Evaporating	-23.3	-10.0	7.2	45.0	7.2	45.0
Condensing	54.4	130.0	54.4	130.0	54.4	130.0
Gas & Ambient	32.2	90.0	35.0	95.0	35.0	95.0
Liquid	32.2	90.0	-	-	-	-
Liquid Subcooling	-	-	8.3	15.0	8.3	15.0

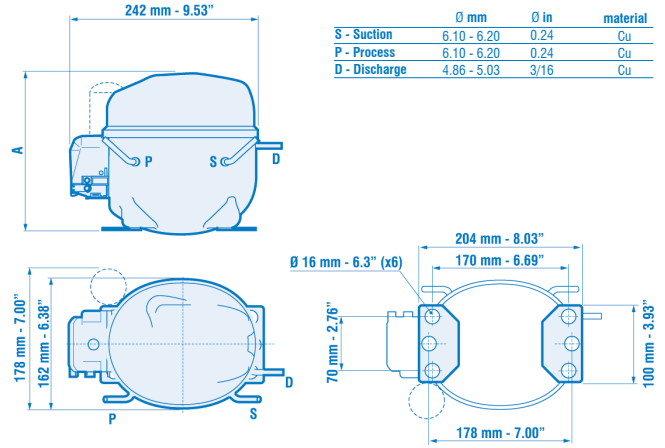
Note: After replacement, the compressor and its accessories must have proper processing, and the components must be recycled according to the material group (ferrous, non-ferrous, polymers, oils, ...) directives. These recommendations are intended to minimize the adverse impacts that may be caused to the environment.

EXTERNAL VIEWS

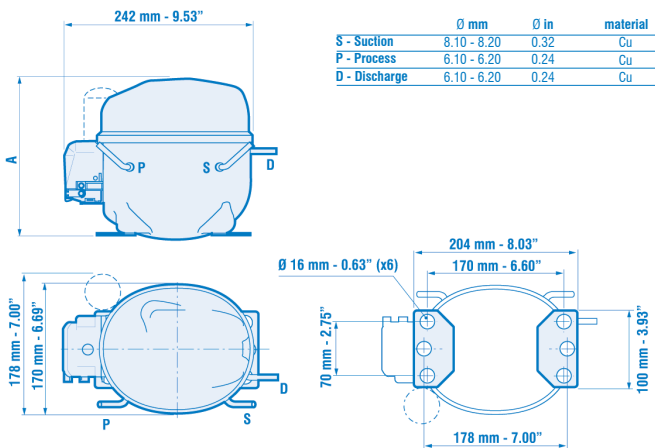
DWG 01 EM SERIES European Base Plate



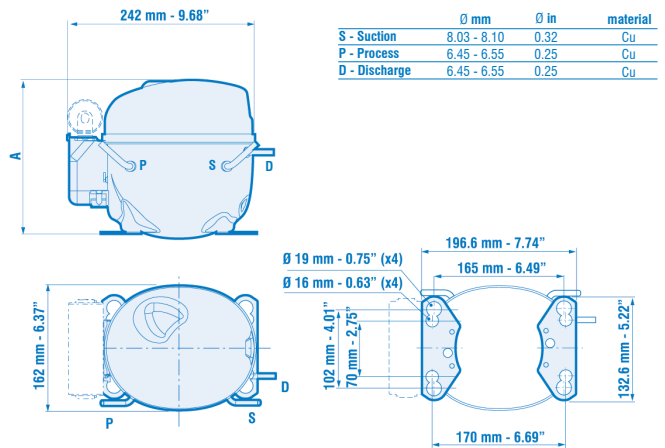
DWG 02 NB/NE SERIES European Base Plate



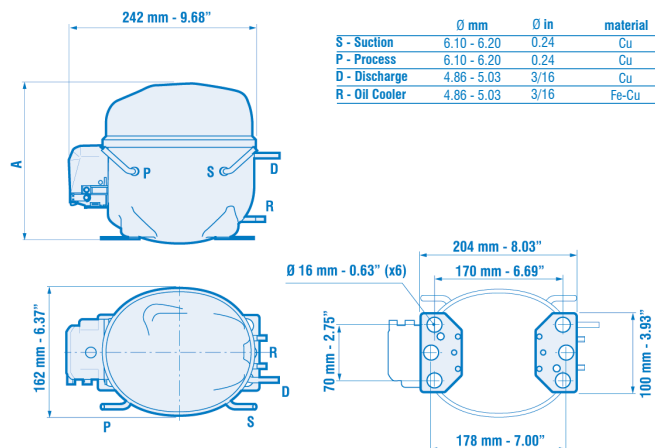
DWG 03 NB/NE SERIES European Base Plate



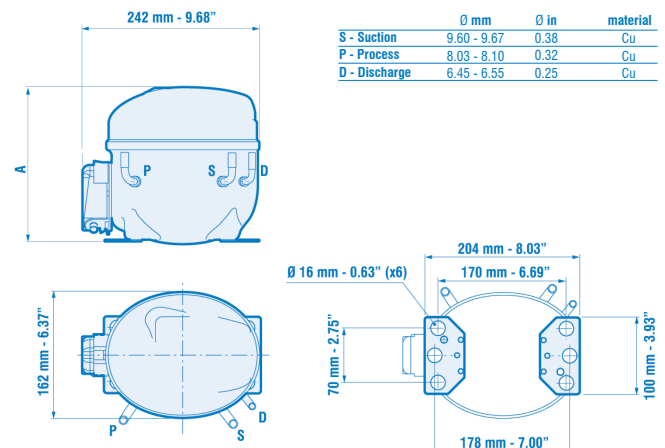
DWG 04 NB/NE SERIES Universal Base Plate



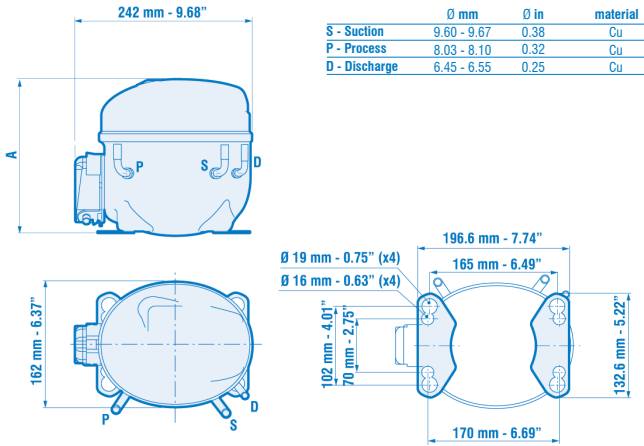
DWG 05 NB/NE SERIES Oil Cooler



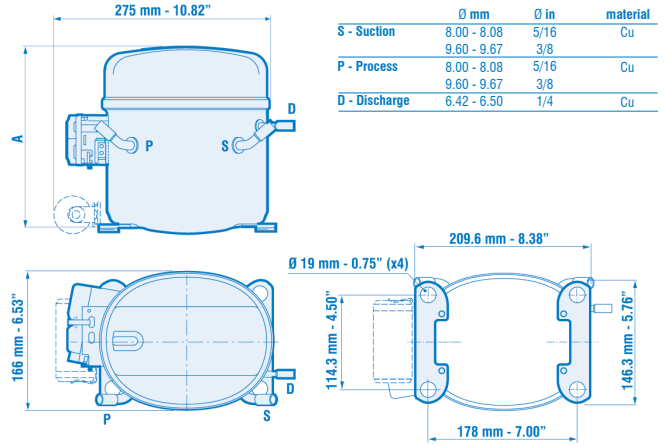
DWG 06 NE SERIES Air Conditioning European Base Plate



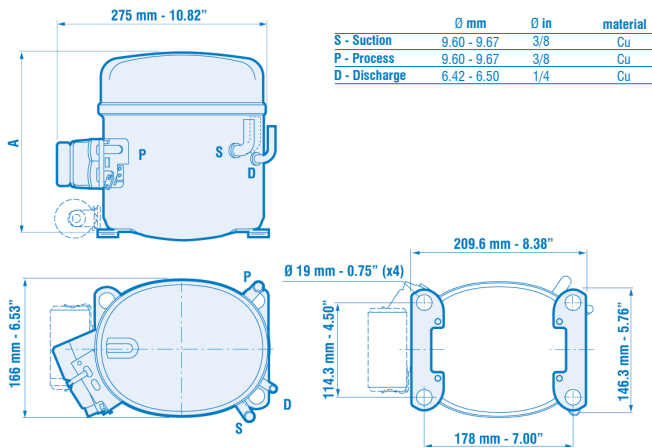
DWG 07 NE SERIES Air Conditioning
Universal Base Plate



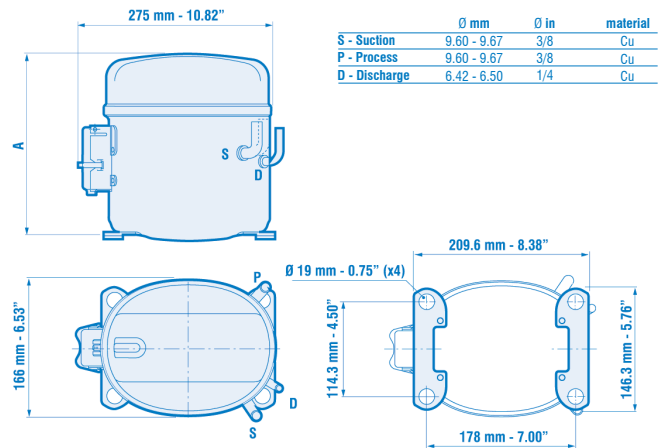
DWG 08 T SERIES Terminal Board



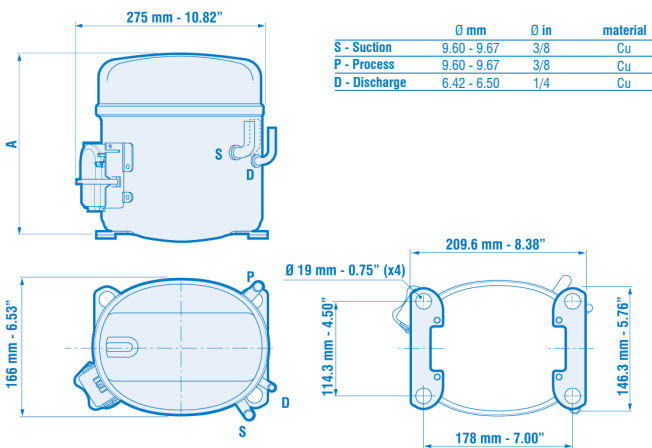
DWG 09 T SERIES Air Conditioning
Terminal Board



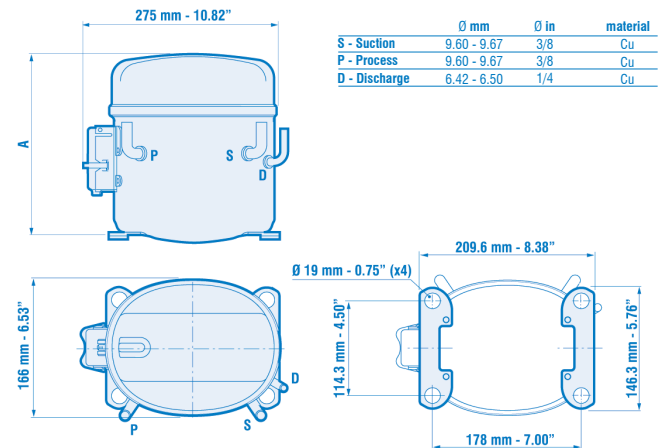
DWG 10 T SERIES Air Conditioning
Standard Cover



DWG 11 T SERIES Air Conditioning
Standard Cover

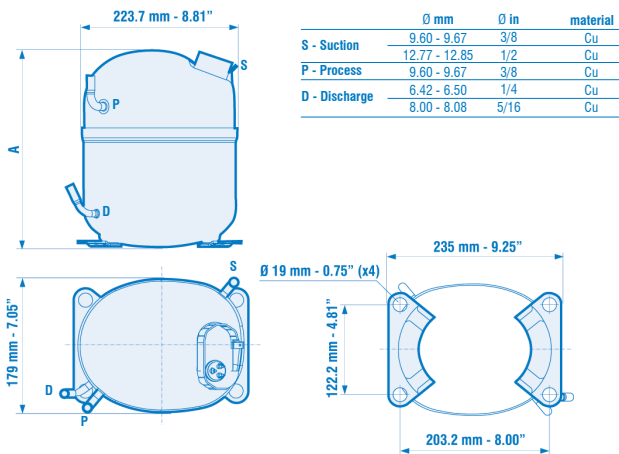


DWG 12 T SERIES Air Conditioning
Standard Cover

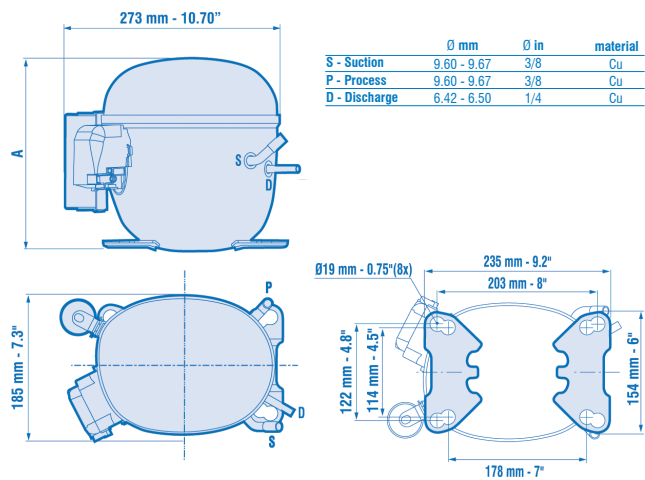


EXTERNAL VIEWS

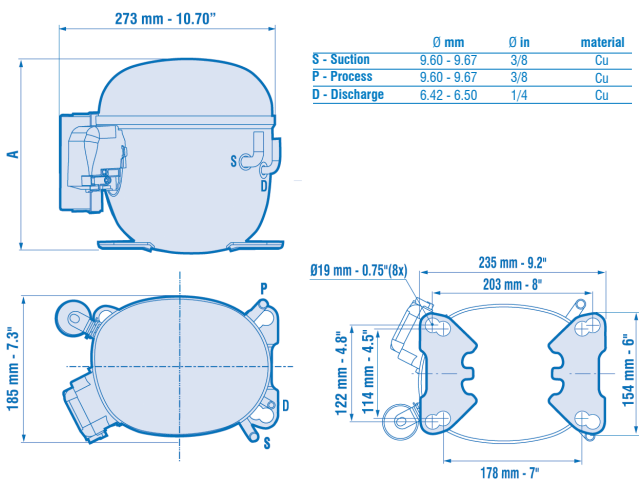
DWG 14 NJ SERIES



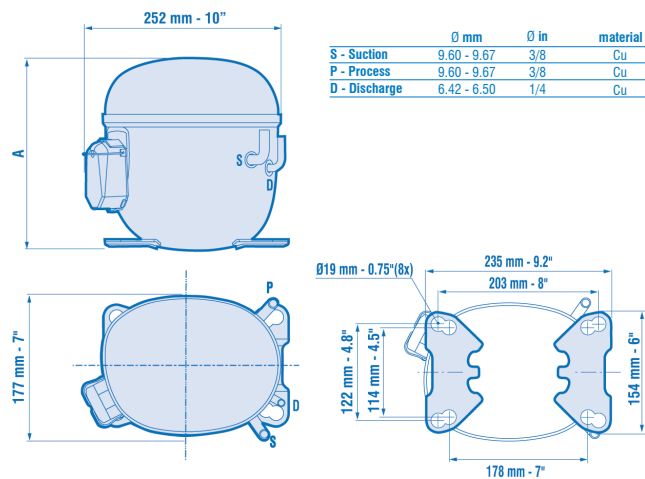
DWG 15 NT SERIES



DWG 16 NT SERIES

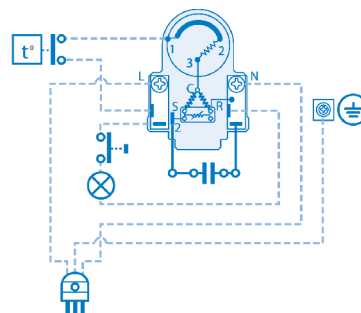
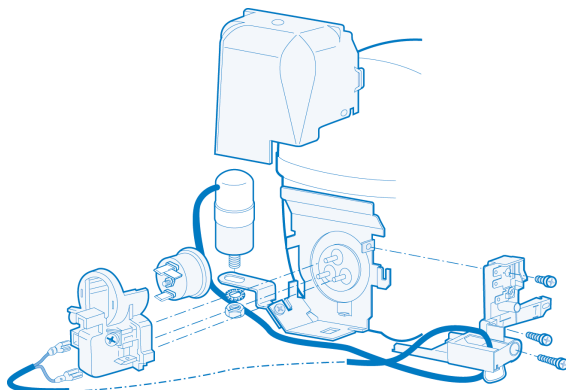


DWG 17 NT SERIES



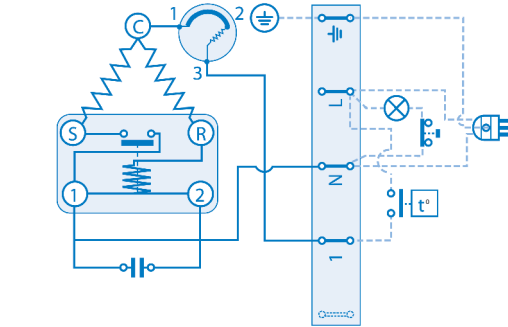
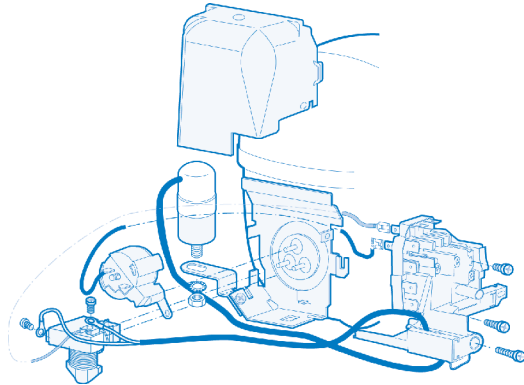
WIRING DIAGRAMS

SM 00 EM - BP - NB/NE SERIES RSIR - RSCR PTC Integrated Start Device - European Version

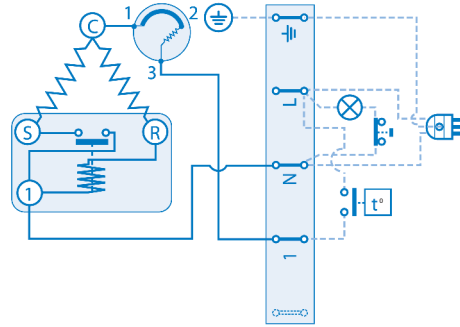
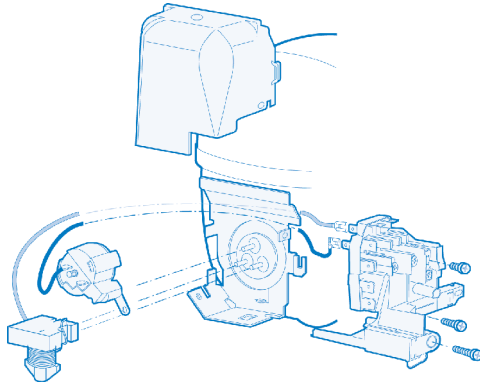




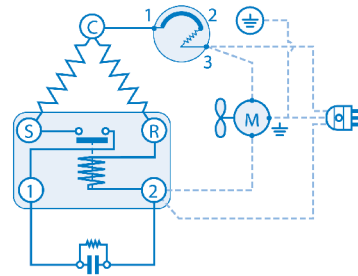
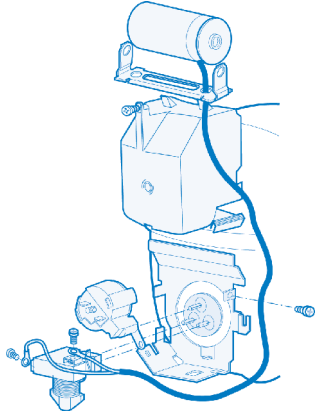
SM 01 EM - BP - NB/NE SERIES RSIR - RSCR PTC Terminal Board & Start Relay



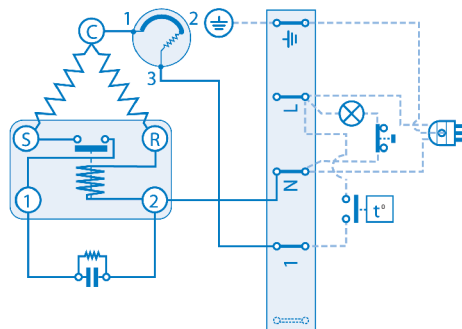
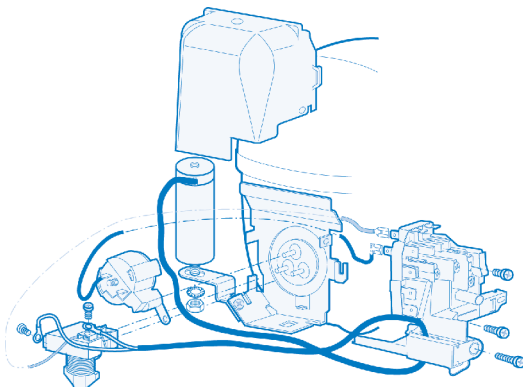
SM 03 NB/NE SERIES RSIR Terminal Board & Start Device



SM 04 NB/NE SERIES CSIR Cord Anchorage & Start Device - American Version

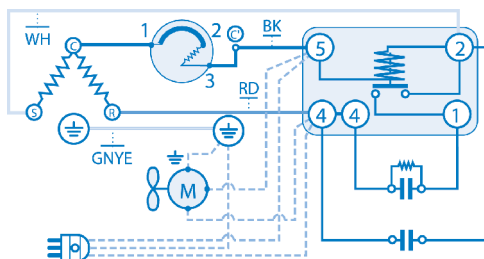
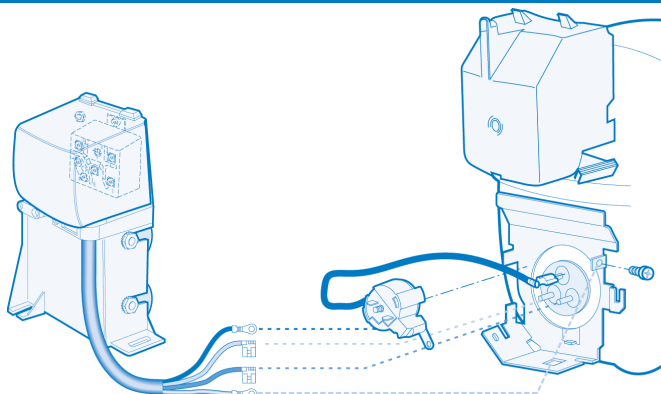


SM 05 NB/NE SERIES CSIR Terminal Board & Start Device

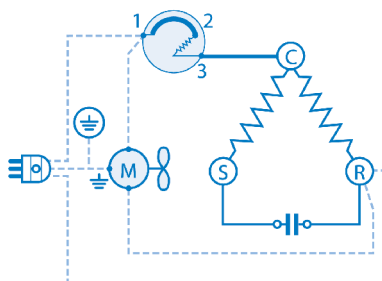
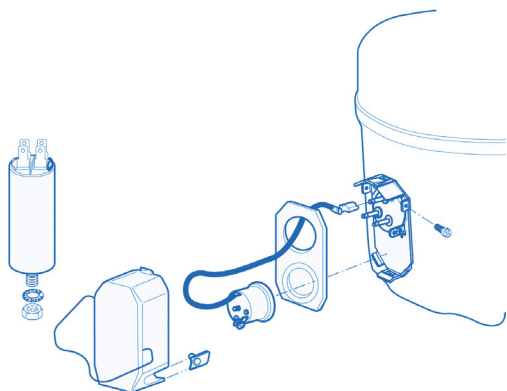


WIRING DIAGRAMS

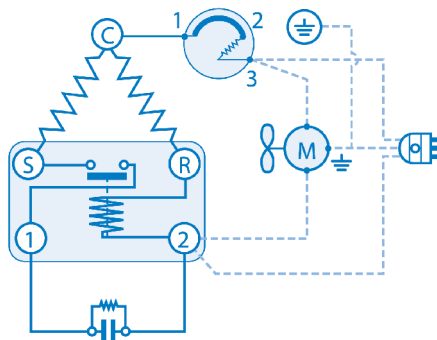
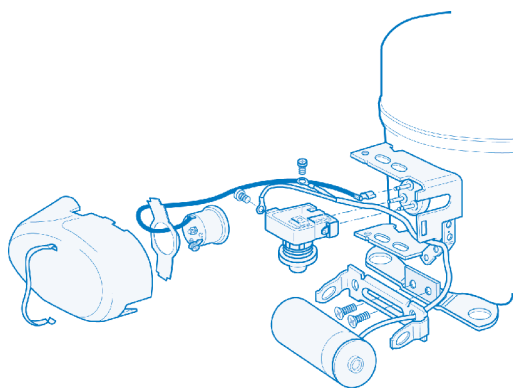
SM 06 NB/NE SERIES CSR Box



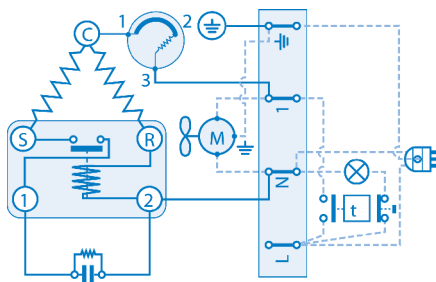
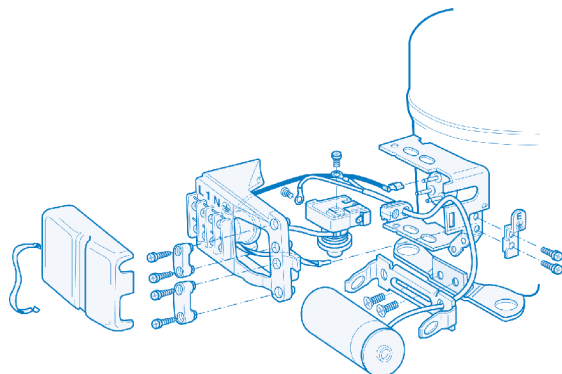
SM 07 NE SERIES PSC



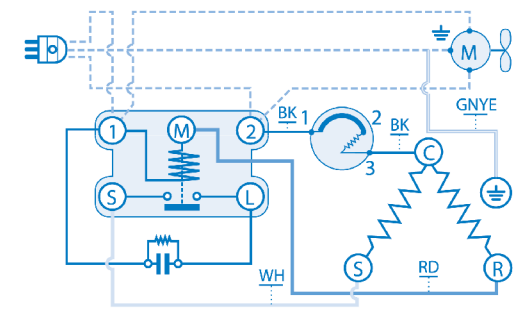
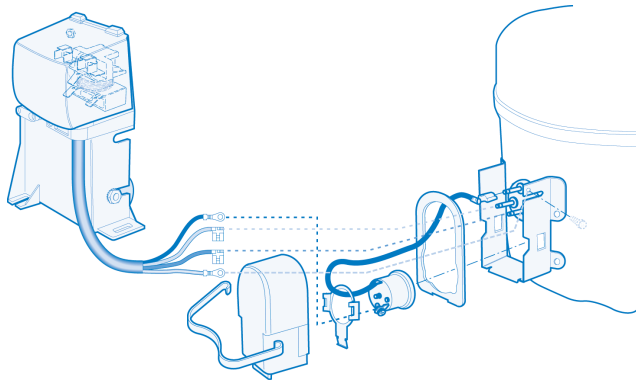
SM 08 T SERIES CSIR Standard Cover



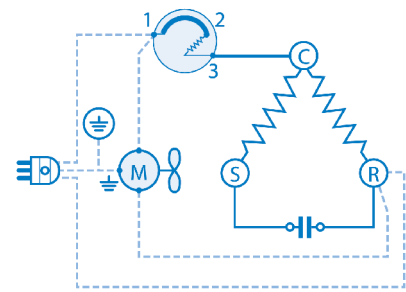
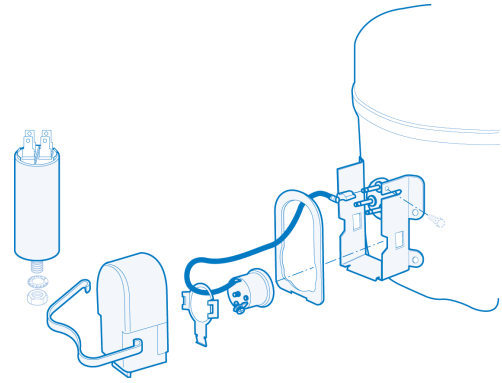
SM 09 T SERIES CSIR Terminal Board



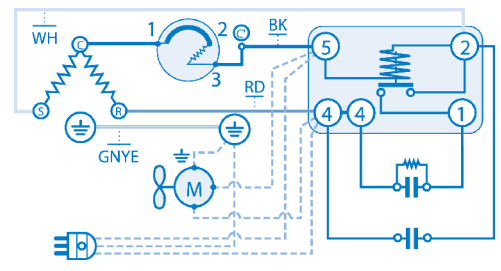
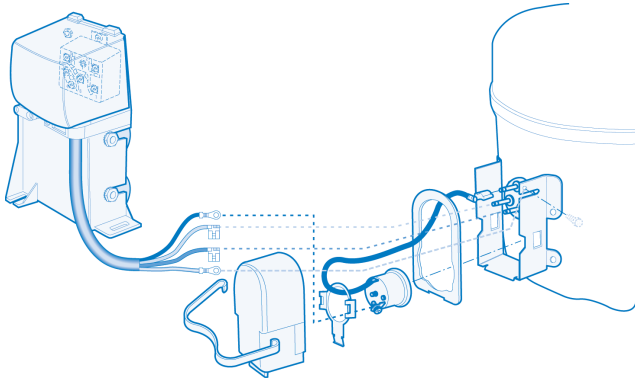
SM 10 T SERIES CSIR Box



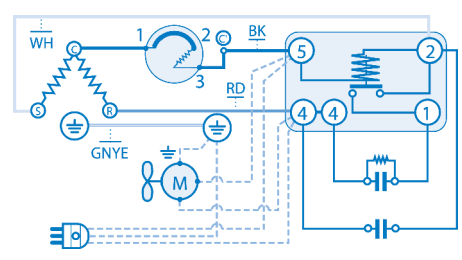
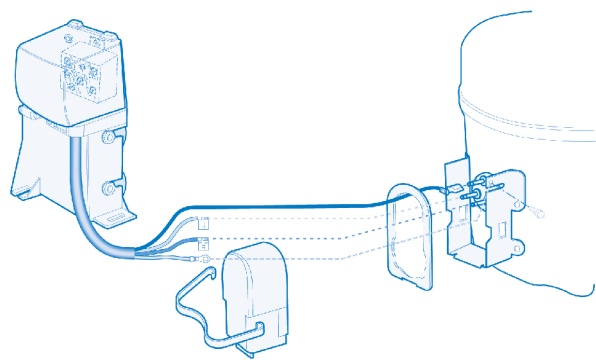
SM 11 T SERIES PSC



SM 12 T SERIES CSR Box

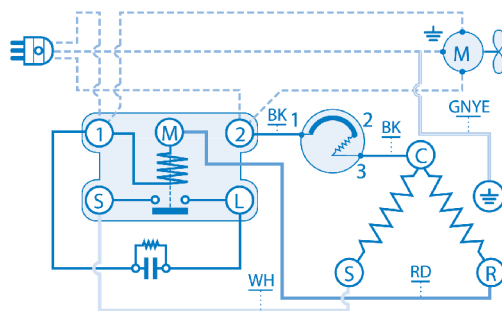
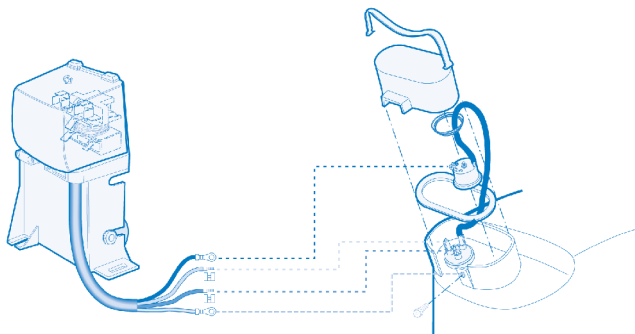


SM 13 T SERIES CSR Box (Internal Overload Protector)

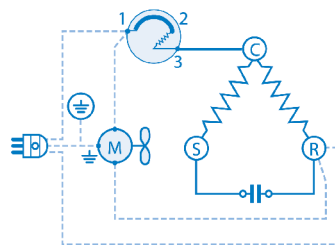
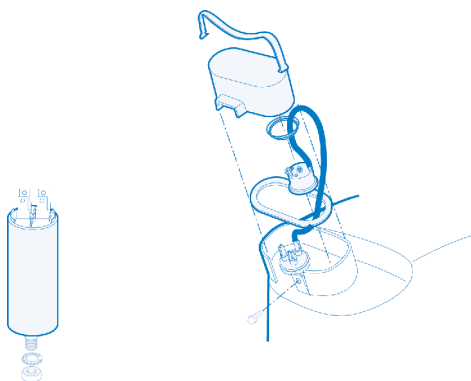


WIRING DIAGRAMS

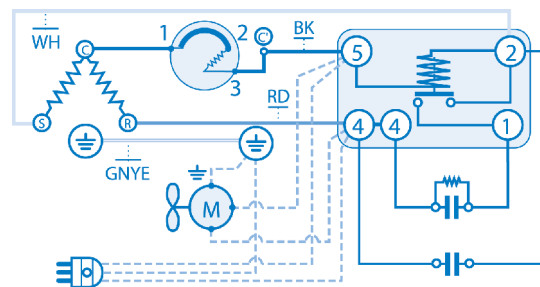
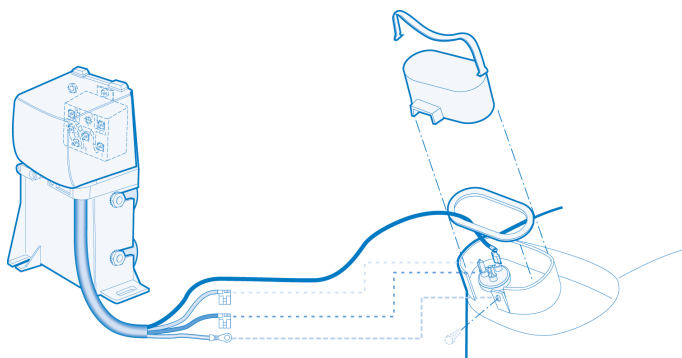
SM 14 NJ SERIES CSIR Box



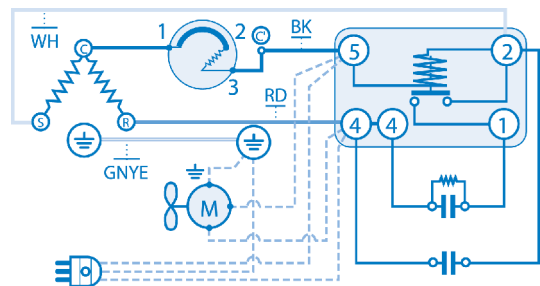
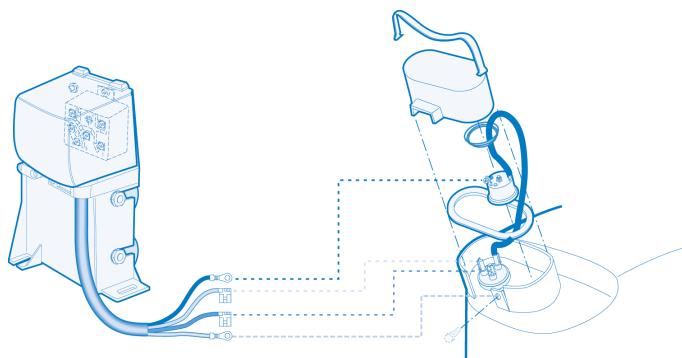
SM 15 NJ SERIES PSC



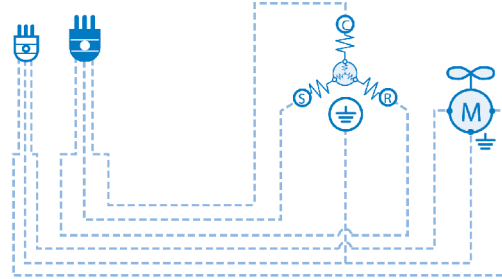
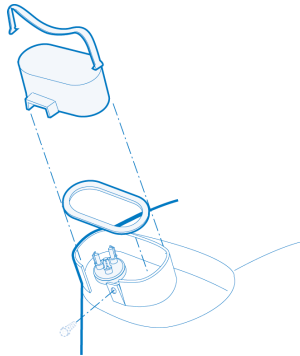
SM 16 NJ SERIES CSR Box (Internal Overload Protector)



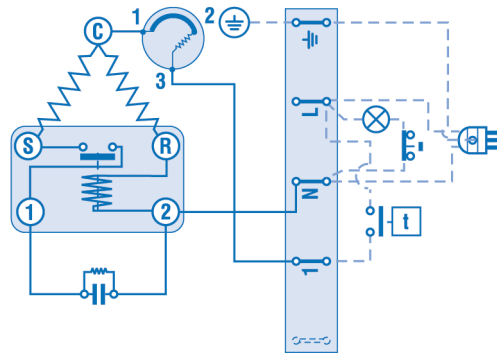
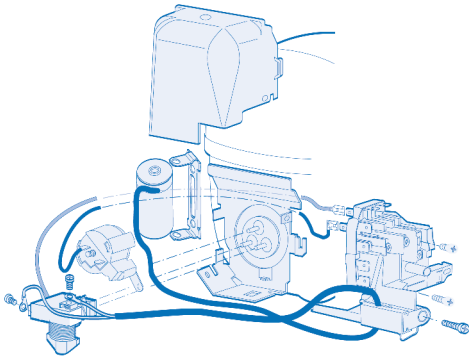
SM 17 NJ SERIES CSR Box



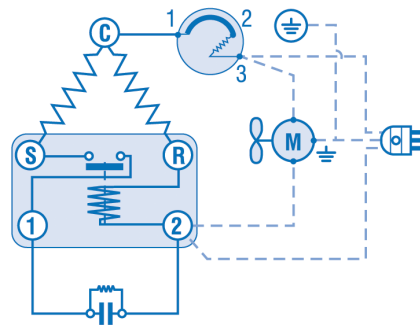
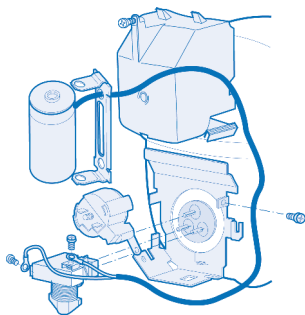
SM 18 NJ SERIES 3-Phase



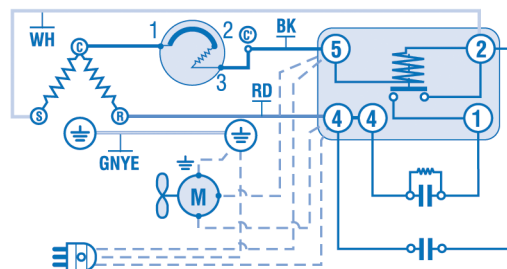
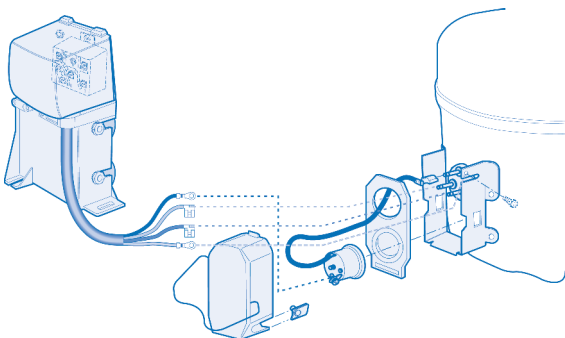
SM 19 NT SERIES CSIR Terminal Board



SM 20 NT SERIES CSIR Simple Cover

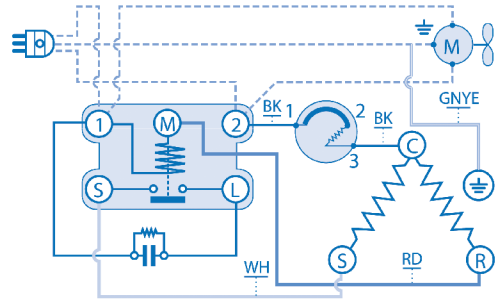
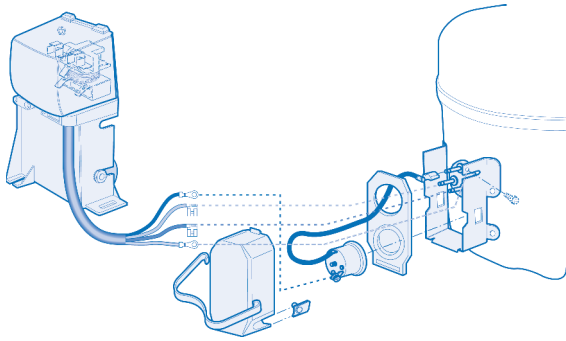


SM 21 NT SERIES CSR Box

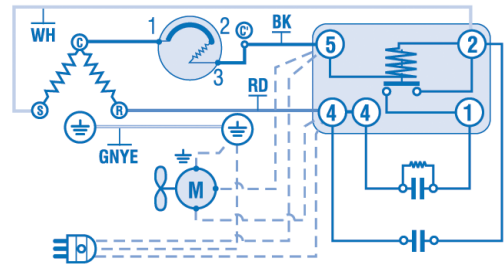
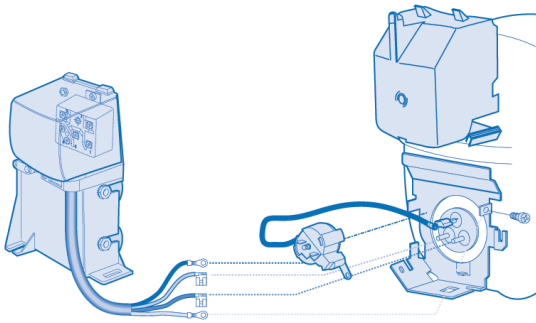


WIRING DIAGRAMS

SM 22 NT SERIES CSIR Box

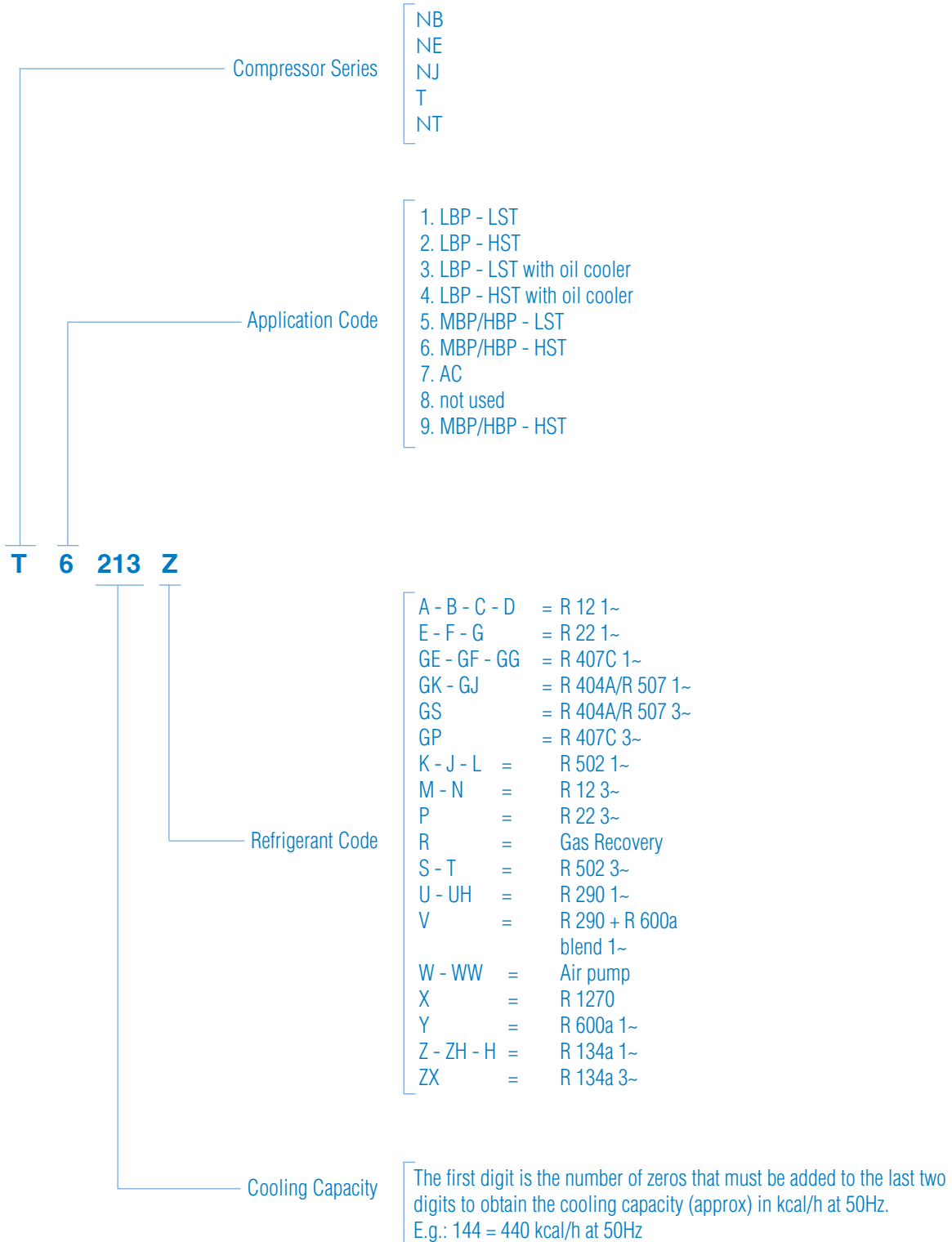


SM 23 NT SERIES CSR Box



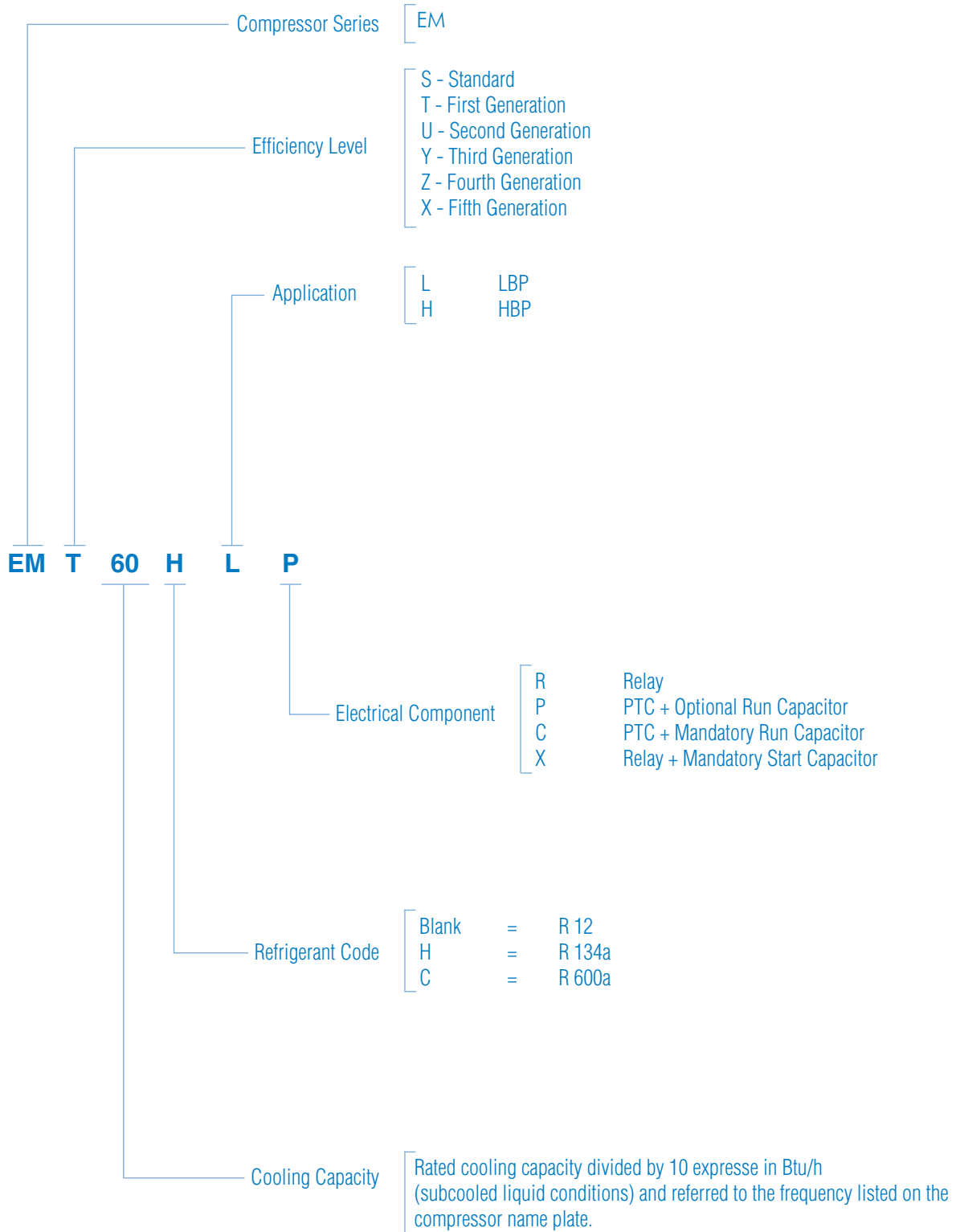
NOMENCLATURE

COMPRESSOR MODEL



NOMENCLATURE

COMPRESSOR MODEL



NOMENCLATURE

BILL OF MATERIAL

Model Code

247A

A

02

External Execution Code

Supply Code

- A = 220-240V 50Hz 1~
- B = 200-230V 50Hz / 208-230V 60Hz 1~
- C = 220V 50Hz 1~
- D = 208-230V 60Hz / 200V 50Hz 1~
- G = 115V 60Hz / 100V 50Hz 1~
- H = 265-277V 60Hz 1~
- I = 200-220V 60Hz 1~
- J = 230V 60Hz / 200V 50Hz 1~
- K = 200-220V 50Hz / 230V 60Hz 1~
- L = 200-240V 50Hz / 230V 60Hz 3~
- M = 380-420V 50Hz / 440-480V 60Hz 3~
- N = 200-240V 50Hz / 230V 60Hz 1~
- Q = 100V 50/60Hz 1~
- T = 220-230V 50Hz 1~
- U = 220V 60Hz 1~
- V = 230V 50Hz 1~
- W = 220V 50/60Hz 1~
- Z = 200 - 230V ~ 60Hz 1~



Brazil

Rui Barbosa, 1020 - P.O. BOX 91
89219-901 - Joinville - SC - Brazil
Phone: +55 47 3441-2121
Fax: +55 47 3441-2780



Italy

Via Buttigliera 6
10020 - Riva Presso Chieri (Torino) - Italy
P.O. BOX 151 - 10023 Chieri (TO)
Phone: +39 011 943-7111
Fax: +39 011 946-8377
+39 011 946-9950



Slovakia

Odorinska Cesta, 2 - 052-01
Spišská Nová Ves - Slovakia
Phone: +42 153 417-2291
+42 153 417-2293
Fax: +42 153 417-2299

Europe - Sales Office
Zona Industriale D1 - Via Fratelli Gambino, 7
10023 - Chieri (Torino) - Italy
Phone: +39 011 940-5611
Fax: +39 011 940-5656



U.S.A.

2800 Vista Ridge Drive NE
Suwanee, GA 30024-3510
Phone: +1 678 804-1337
Fax: +1 678 804-1338

México - Sales Office
Torre Alestra, Piso 3 - Office 321
Av. Lázaro Cárdenas 2321 Pte.
P.O. BOX 66260 - San Pedro Garza García
Nuevo León - México
Phone: +52 81 1001-7102
Fax: +52 81 1001-7142



China

29 Yuhua Road
Area B of Beijing Tianzhu Airport Industrial Zone
101312 - Beijing - China
Phone: +86 10 8048-2255
Fax: +86 10 6725-6825