

S系列低背压压缩机

# S SERIES LBP COMPRESSOR



## S系列压缩机产品性能参数表 S SERIES COMPRESSOR PERFORMANCE TABLE

### R600a高效系列

220-240V~50Hz

型号 Model	排量(cm <sup>3</sup> ) Dispi	电机形式 Motor Type	制冷量(W) Cooling Capacity	输入功率(W) Input power	电流(A) Rated Current	性能参数 Cop	注油量(ml) Oil Charge
BSR51AA	5.1	RSCR	92	53	0.26	1.75	200
BSR58AA	5.8	RSCR	105	60	0.29	1.75	200
BSR68AA	6.8	RSCR	120	69	0.33	1.75	200

### R600a中效系列

220-240V~50Hz

型号 Model	排量(cm <sup>3</sup> ) Dispi	电机形式 Motor Type	制冷量(W) Cooling Capacity	输入功率(W) Input power	电流(A) Rated Current	性能参数 Cop	注油量(ml) Oil Charge
BSF51AA	5.1	RSIR/RSCR	90	62/56	0.47/0.26	1.45/1.6	200
BSF58AA	5.8	RSIR/RSCR	100	69/63	0.50/0.29	1.45/1.6	200
BSF68AA	6.8	RSIR/RSCR	115	79/72	0.58/0.33	1.45/1.6	200

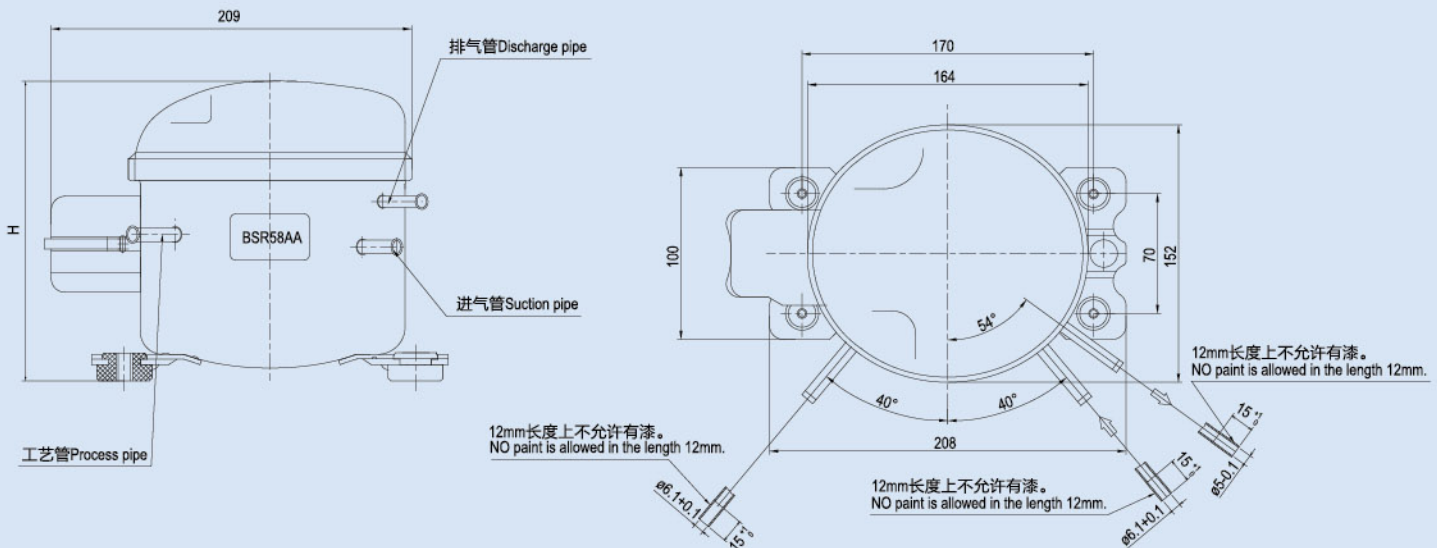
### R134a普效系列

220-240V~50Hz

型号 Model	排量(cm <sup>3</sup> ) Dispi	电机形式 Motor Type	制冷量(W) Cooling Capacity	输入功率(W) Input power	电流(A) Rated Current	性能参数 Cop	注油量(ml) Oil Charge
GSM43AA	4.3	RSIR	112	89	0.77	1.26	200
GSM48AA	4.8	RSIR	130	102	0.8	1.28	200
GSM51AA	5.1	RSIR	144	110	0.82	1.30	200

## S Series Outline Drawing S系列压缩机外貌

R134a	R600a	H
	BSF51AA	168
	BSF58AA	168
GSM43AA	BSF68AA	178
GSM48AA	BSR51AA	178
GSM51AA	BSR58AA	178
	BSR68AA	178



V系列低背压压缩机

# V SERIES LBP COMPRESSOR



## V系列压缩机产品性能参数表 V SERIES COMPRESSOR PERFORMANCE TABLE

### R600a普效系列

220-240V~50Hz

型号 Model	排量(cm <sup>3</sup> ) Dispi	电机形式 Motor Type	制冷量(W) Cooling Capacity	输入功率(W) Input power	电流(A) Rated Current	性能参数 Cop	注油量(ml) Oil Charge
BVM35AA	3.5	RSIR	55	52	0.39	1.06	150
BVM43AA	4.3	RSIR	68	59	0.43	1.15	150

### R134a普效系列

220-240V~50Hz

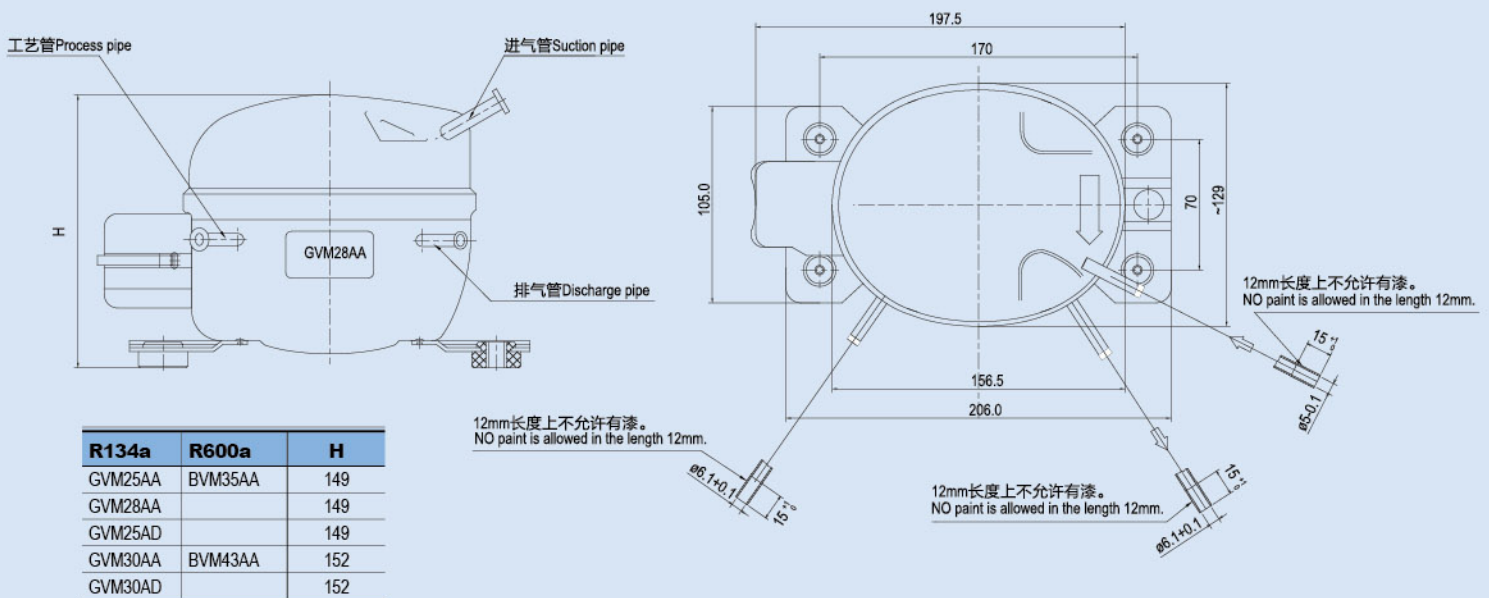
型号 Model	排量(cm <sup>3</sup> ) Dispi	电机形式 Motor Type	制冷量(W) Cooling Capacity	输入功率(W) Input power	电流(A) Rated Current	性能参数 Cop	注油量(ml) Oil Charge
GVM25AA	2.5	RSIR	59	59	0.62	1.00	150
GVM28AA	2.8	RSIR	68	64	0.64	1.05	150
GVM30AA	3.0	RSIR	75	71	0.68	1.05	150

### R134a普效系列

115V~60Hz

型号 Model	排量(cm <sup>3</sup> ) Dispi	电机形式 Motor Type	制冷量(W) Cooling Capacity	输入功率(W) Input power	电流(A) Rated Current	性能参数 Cop	注油量(ml) Oil Charge
GVM25AD	2.5	RSIR	68	73	1.20	0.93	150
GVM30AD	3.0	RSIR	84	82	1.30	1.02	150

## V Series Outline Drawing V系列压缩机外貌



R134a	R600a	H
GVM25AA	BVM35AA	149
GVM28AA		149
GVM25AD		149
GVM30AA	BVM43AA	152
GVM30AD		152

# F SERIES COMPRESSOR

## R134a LBP



F系列压缩机产品性能参数表 F SERIES COMPRESSOR PERFORMANCE TABLE

220-240V~50Hz

型号 Model	排量(cm <sup>3</sup> ) Dispi	电机形式 Motor Type	制冷量(W) Cooling Capacity	输入功率(W) Input power	电流(A) Rated Current	性能参数 Cop	注油量(ml) Oil Charge
GFF44AA	4.6	RSIR/RSCR	130	99/93	0.65/0.53	1.31/1.40	200
GFF57AA	5.7	RSIR/RSCR	166	122/112	0.86/0.62	1.36/1.48	200
GFF66AA	6.6	RSIR/RSCR	195	143/132	0.92/0.74	1.36/1.48	200
GFF75AA	7.5	RSIR/RSCR	215	156/147	1.15/0.83	1.38/1.46	200
GFF86AA	8.6	RSIR/RSCR	250	179/164	1.24/0.90	1.40/1.52	200
GFF93AA	9.3	RSIR/RSCR	270	185/175	1.25/0.95	1.46/1.54	230

115V~60Hz

GFM40AD	4.0	RSIR	125	104	1.40	1.20	170
GFM44AD	4.6	RSIR	145	111	1.62	1.30	170
GFM53AD	5.3	RSIR	170	131	1.75	1.30	200
GFM57AD	5.7	RSIR	180	138	1.85	1.30	200
GFM61AD	6.1	RSIR	210	156	2.10	1.35	230

115V~60Hz

GFF40AD	4.1	RSIR/RSCR	125	100/97	1.35/1.15	1.25/1.30	200
GFF44AD	4.6	RSIR/RSCR	145	107/103	1.40/1.20	1.35/1.40	200
GFF53AD	5.3	RSIR/RSCR	170	121/117	1.70/1.30	1.40/1.45	200
GFF57AD	5.7	RSIR/RSCR	180	129/124	1.80/1.45	1.40/1.45	200
GFF66AD	6.6	RSIR/RSCR	210	150/145	2.10/1.70	1.40/1.45	230

### R134a系列压缩机特殊要求 SPECIAL REQUIREMENTS TO R134A COMPRESSOR

- R134a压缩机的敞口时间应尽可能短，不得超过10分钟。
- 抽真空泵和充注设备必须专用于R134a。
- 与R134a不相溶的有机物在制冷系统中不得使用。
- R134a制冷系统的应使用与R134a相适应的干燥过滤器。
- R134a制冷系统应严格控制水份、杂质、石蜡、硅油和氯离子等的含量。
- R134a压缩机内注有本公司制冷认可的专用脂类油，不得随意倒出或添加。
- Don't keep the R134a compressor connect pipe open too long better, no more than 10 minutes.
- The vacuum pump and the charging system must only be dedicated to R134a.
- The organic substance non-compatible with R134a can't be used in the refrigeration system.
- R134a refrigerant R134a system should be used in line with the dry filter.
- R134a refrigerant system should strictly control the moisture, impurities, paraffin wax, such as silicone oil, and the content of chloride ion.
- R134a is our company injection compressor refrigeration approved for lipid oil, are not allowed to randomly pour or add.

# F SERIES COMPRESSOR

## R600a LBP



### 中效系列 MEDIUM EFFICIENCY RANGE

220-240V~50Hz

型号 Model	排量(cm <sup>3</sup> ) Dispi	电机形式 Motor Type	制冷量(W) Cooling Capacity	输入功率(W) Input power	电流(A) Rated Current	性能参数 Cop	注油量(ml) Oil Charge
BFM57AA	5.7	RSIR	95	71	0.54	1.34	170
BFM7AA	6.7	RSIR	120	87.5	0.66	1.37	170
BFM80AA	8.0	RSIR	130	92	0.67	1.41	170
BFM86AA	8.6	RSIR	142	101	0.82	1.40	200
BFM93AA	9.3	RSIR	155	108.5	0.85	1.43	200
BFM10AA	10.0	RSIR	168	122	1.01	1.38	200

### 高效系列 HIGH EFFICIENCY RANGE

220-240V~50Hz

BFF57AA	5.7	RSIR/RSCR	97	71/68	0.54/0.40	1.37/1.43	200
BFF67AA	6.7	RSIR/RSCR	120	86/83	0.58/0.45	1.40/1.45	200
BFF75AA	7.5	RSIR/RSCR	130	80/76.5	0.65/0.48	1.55/1.60	200
BFF12AA	12.0	RSIR/RSCR	202	130/123	1.04/0.75	1.55/1.64	230

### 超高效系列 ULTRA-EFFICIENCY RANGE

220-240V~50Hz

BFR57AA	5.7	RSCR	97	60.6	0.32	1.60	200
BFR67AA	6.7	RSCR	120	75.0	0.35	1.60	200
BFR75AA	7.5	RSCR	130	72	0.35	1.80	200
BFR86AA	8.6	RSCR	142	84	0.50	1.70	200
BFR93AA	9.3	RSCR	155	91	0.55	1.70	200
BFR10AA	10.0	RSCR	168	99	0.58	1.70	200

### R600a系列压缩机特殊要求 SPECIAL REQUIREMENTS TO R600A COMPRESSOR

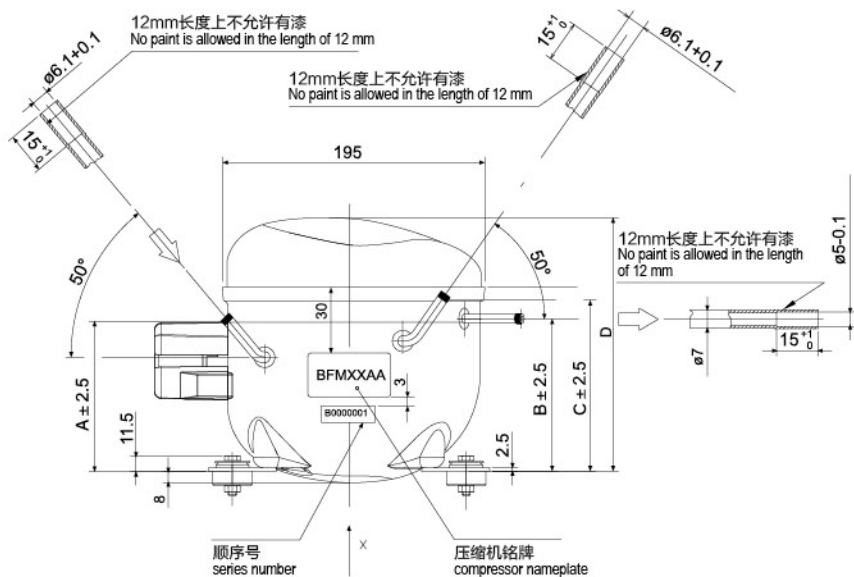
- R600a(碳氢)压缩机与制冷器具匹配应用中应遵守并熟练掌握碳氢工质的安全规程，使用相应的工具设备进行操作。
- R600a压缩机内已加注本公司认可的经最佳工艺处理过的专用冷冻机油，不得随意倒出或添加，否则所有的技术保证将无效。
- R600a(hydrocarbon) compressor and refrigeration equipment should be in compliance with the matching application and mastering of hydrocarbon refrigerants in the safety regulations, the use of appropriate equipment to operate the tools.
- R600a compressor has been authorized to add our company licensing compressor of the best dealt with strictly dedicated frozen oil, are not allowed to randomly pour or add Otherwise, all the technical assurance will be null and void.

### R134a和R600a试验条件 R134a & R600a TEST CONDITIONS

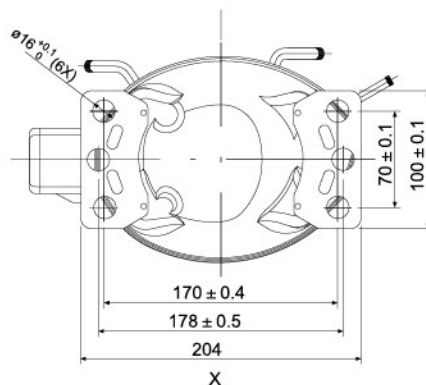
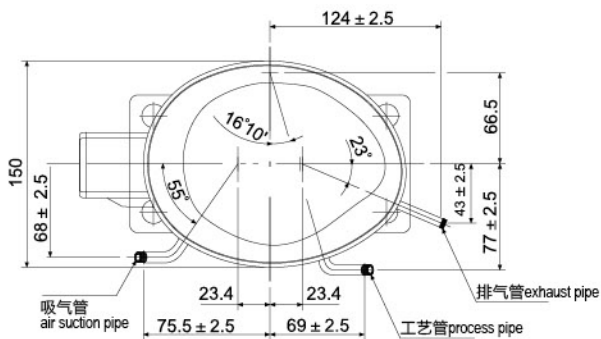
冷凝温度 / Condensing Temperature; 54.4±0.3℃      过冷温度 / Subcooling Temperature; 32.2±0.3℃      蒸发温度 / Evaporating Temperature; -23.3±0.2℃  
 吸气温度 / Suction Temperature; 32.2±3℃      环境温度 / Ambient Temperature; 32.2±0.1℃

# F Series Outline Drawing

## F系列压缩机外貌



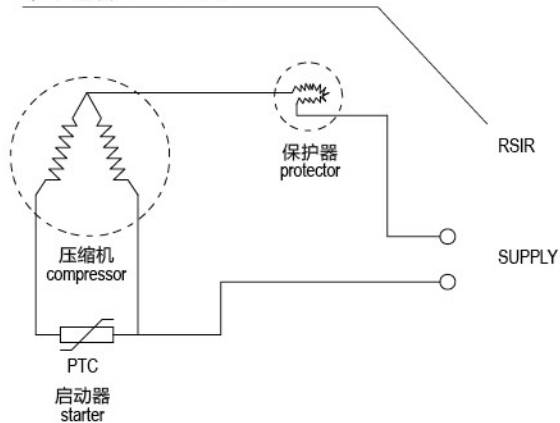
R134a	R600a	A±2.5	B±2.5	C±2.5	D±2.5
GFF57AA	BFM86AA	98.5	100.5	113.5	184
GFF66AA	BFM93AA				
GFF75AA	BFM10AA				
GFF86AA	BFF57AA				
GFF44AA	BFF75AA				
	BFR86AA				
	BFR93AA				
	BFR10AA				
GFF93AA	BFF12AA	108.5	110.5	123.5	194
GFM44AA	BFM67AA	85	87	100	170.5
	BFM80AA				



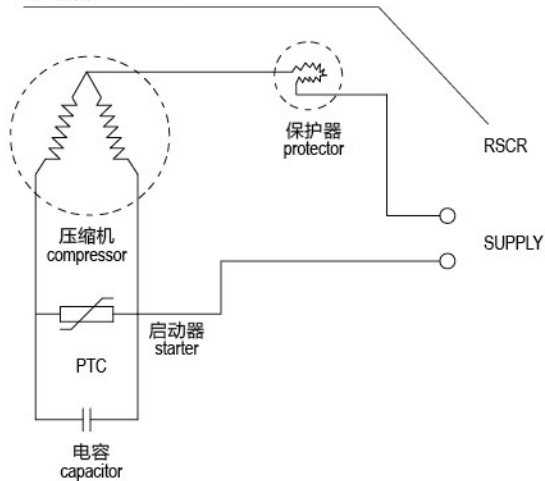
# Electrical Drawings

## 电气连接

不带电容 Without RC

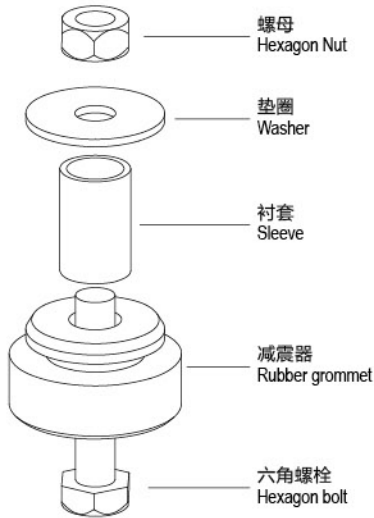


带电容 With RC



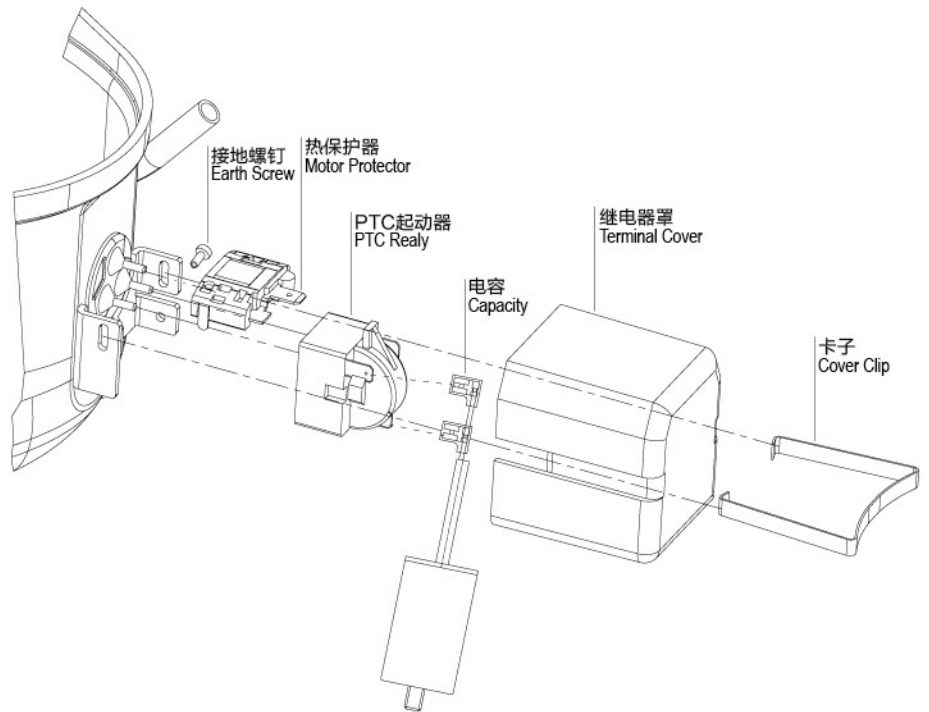
# Mounting Accessories

## 附件安装

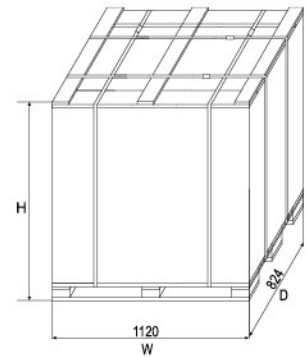
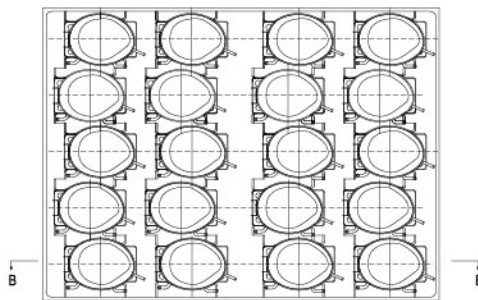
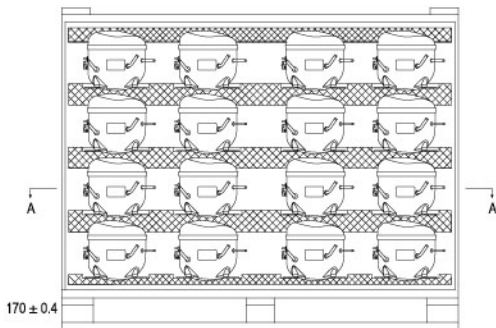


# Assembly of Terminal Parts

## 电气附件装配示意



# Packing 包装



型号Model	纸箱Carton						集装箱Container	
	数量Qty(EA)	排列Array (W*D*H)	尺寸Dimension			数量Qty(EA)	CT型号Qty	
			W(mm)	D(mm)	H(mm)			
BFM57AA	80	5*4*4	1120	824	870	28	2240	
BFM67AA	80	5*4*4	1120	824	870	28	2240	
BFM80AA	80	5*4*4	1120	824	870	28	2240	
BFM86AA	80	5*4*4	1120	824	930	25	2000	
BFM93AA	80	5*4*4	1120	824	930	25	2000	
BFM10AA	80	5*4*4	1120	824	930	25	2000	
BFF57AA	80	5*4*4	1120	824	930	26	2080	
BFF75AA	80	5*4*4	1120	824	930	25	2000	
BFF12AA	80	5*4*4	1120	824	1000	22	1760	
BFR86AA	80	5*4*4	1120	824	930	25	2000	
BFR93AA	80	5*4*4	1120	824	930	25	2000	
BFR10AA	80	5*4*4	1120	824	930	25	2000	
GFF57AA	80	5*4*4	1120	824	930	24	1920	
GFF66AA	80	5*4*4	1120	824	930	24	1920	
GFF75AA	80	5*4*4	1120	824	930	22	1760	
GFF86AA	80	5*4*4	1120	824	930	23	1840	
GFF93AA	80	5*4*4	1120	824	1000	22	1760	



## GENERAL REQUIREMENT

- Compressor should be stored in a dry and well ventilated place.
- Compressor storage, transportation will not be tilted or inverted, while avoiding collision with the state of the installation level of not more than 5°tilt.
- Never before compressor installation rubber Cypriots uprooted so as to avoid debris and moisture to enter, at the time of installation (first proposed pulling the exhaust pipe rubber plugs) out rubber Cypriots should be installed within 10minutes after.
- The compressor's grounding must be reliably connected with the refrigeration appliances all the time.
- The interval of compressor operation must be more than 5 minutes in order to obtain a pressure balance in the systems.
- The charging volume of refrigerant oil has been optimized by our company, don't pour or add any refrigerant oil.
- Compressor annex(eg starter, thermal protection, etc.)Are not installed on the delivery from the compressor in the annex, but inside, we must use the corresponding models starter, thermal

protection and so on.

- Compressor can not afford a high-voltage vacuum conditions or start running, not in a vacuum and under the Compressive strength of insulation resistance.
- Compressor can not afford a high-voltage vacuum conditions or start running, not in a vacuum and under the Compressive strength of insulation resistance.
- Can not use a compressor vacuum, the oxygen injection can not be used for refrigeration leak detection system, and other related operations, or likely to cause accidents.
- Compressor work environment can not be higher than 43°C temperature at the highest temperature (43°C), and its continuous operation at the current, input power, should not exceed the limitation of the compressor.
- The stocking period must be less than 6 months after the date of production, if longer, you have to check whether the filled gas is sufficient. Replenishment must be done if necessary.

我们铸造  
冰箱  
强劲的心脏。