

COMPRESSOR

Displacement (cm ³)	5.68
Diameter (mm)	22.0
Stroke (mm)	14.92
Net Weight (Kg)	9.5
Oil type	ISO VG 22 ESTER
Oil charge (cm ³)	265

MOTOR

Approximate Power (CV)	1/5
Voltage/Frequency (V/Hz)	220V 50Hz
Voltage range (V)	187-264
Code	65.504
Type	CSIR
Phase number	1 PH
Locked rotor current (A)	8.3
Main W. resist. at 25°C (Ω)	16.0
Start W. resist. at 25°C (Ω)	36.0

APPLICATION

Application	High/Mid. back pressure
Refrigerant	R134a
Evaporating (°C)	-25 to 10
Expansion	Capillar/Valve
Comp. cooling	Fan cooled
Max. ambient temp. (°C)	43

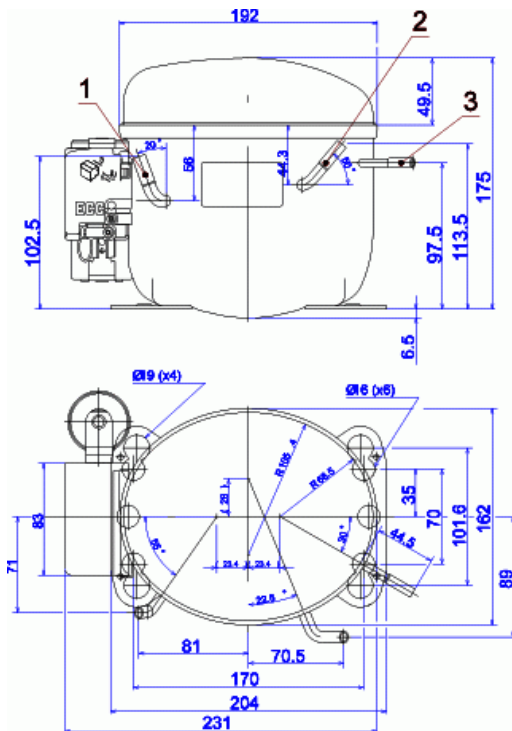
NOMINAL PERFORMANCE	CYCLE C	CYCLE D
Cooling capacity (kcal/h)	376	450
Input power (W)	240	250
EER (kcal/Wh)	1.56	1.80
COP (W/W)	1.81	2.09
Current (A)	1.45	1.50

TEST CONDITIONS

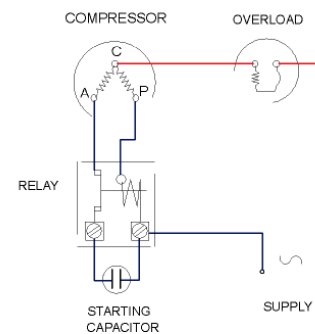
Evaporating temp. (°C)	5.0	7.2
Condensing temp. (°C)	55.0	55.0
Liq.t. entering expan. (°C)	55.0	46.0
Ambient t. and return (°C)	32.0	35.0
Tens/Freq (V/Hz)	220V 50Hz	220V 50Hz

ELECTRICAL COMPONENTS

Relay	2014 118.		
Pick-Up (A)	3.75		
Drop-Out (A)	3.20		
Protector	MRP63AMK	T0069	AE26FHY
Current (A)	7.1	7.1	7.1
Time check (seg)	7.5-14	7.5-14	7.5-14
Disc temp. (Open/Close) (°C)	105.0 / 61.0	105.0 / 62.0	105.0 / 62.0
Starting capacitor (μF/V)/FV)	47- 56 / 330		

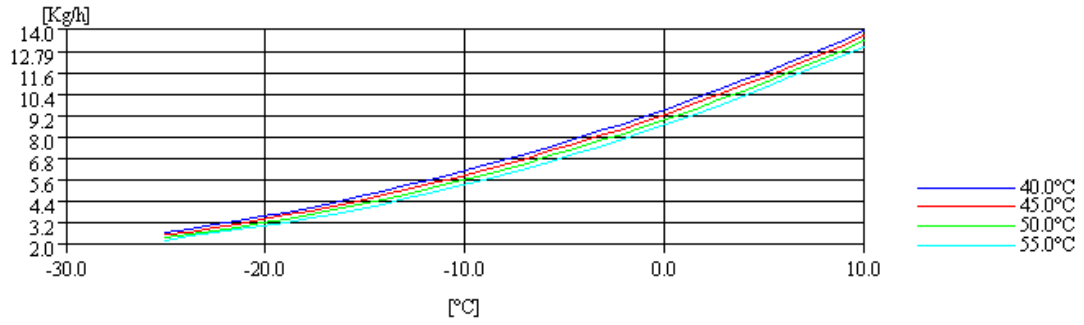
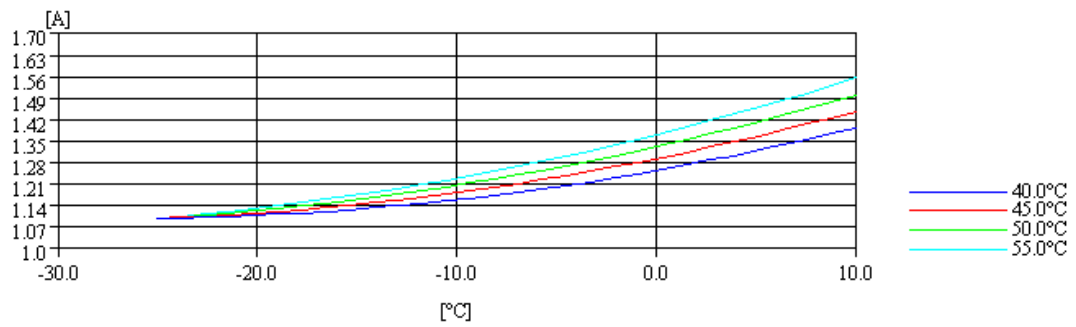
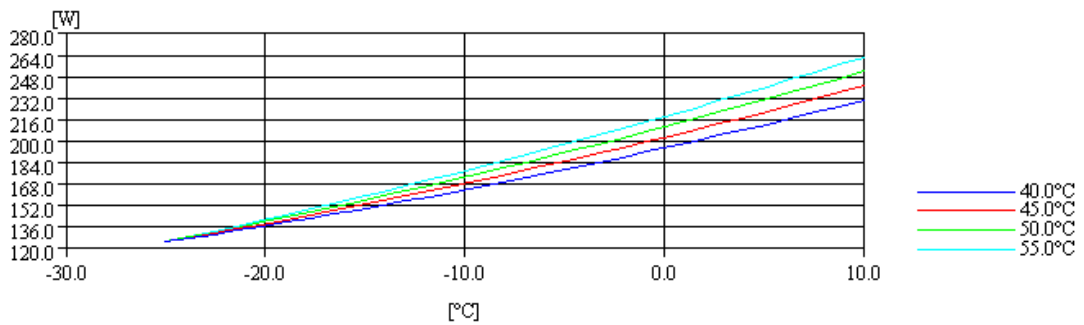
DIMENSIONS AND ELECTRICAL DIAGRAM


DESIGNATION	INTERNAL DIAM. (MM)
1 Suction/Service	6.5
2 Service/Suction	6.5
3 Discharge	4.9

CSIR


TEST CONDITIONS

Voltage/frequency	220V 50Hz
Ambient t. and return	35 °C
Liq.t. entering expan.	Subcooling 9 K

MASS FLOW

INTENSITY

CONSUMPTION

COOLING CAPACITY
