

Refrigerator Compressors



Danfoss
p.C01



KONOR
p.C03



LG
p.C05

Air Conditioner Compressors



GMCC
p.C09



Panasonic
p.C15



MITSUBISHI
p.C20



HIGHLY
p.C23

Danfoss



Refrigerant Application	Model	Code of Voltage & Frequency	Capacity(w) - Evaporating Temperature (°C)														Displacement (cm ³)	Power (W)	Motor Type				
			-45	-40	-35	-30	-25	-23.3	-20	-15	-10	-5	0	5	7.2	10				15			
			R12	LBP/HBP	FR11B	198-254V, 50HZ	84	132	186	246	270	321	408	504	624	756				909	984	1080	1260
R22	LBP	SC10B	198-254V, 50HZ	42	84	132	204	234	288	372	480	588	744	912	984	1092	1296	10.29	250	RSIR/CSIR			
		SC12B	198-254V, 50HZ	60	114	192	276	312	384	492	624	756	924	1140	1212	1344	1596	12.97	315	RSIR/CSIR			
		SC15B	198-254V, 50HZ	96	156	240	330	372	456	588	738	912	1092	1308	1416	1584	1908	15.28	385	CSIR			
		SC18B	198-254V, 60HZ,LBP	144	204	300	408	456	540	690	858	1044	1272	1536	1656	1848	2184	17.69	470	CSIR			
		SC21B	198-254V, 50HZ	186	264	360	480	528	648	804	1008	1212	1452	1740	1884	2100	2496	20.95	590	CSR			
		SC10C	198-254V, 50HZ	55	105	170	265	360	395	480	620	775	945						10.29	315	CSIR		
	HBP	SC12C	198-254V, 50HZ	105	155	245	345	460	510	600	755	930	1130						12.87	385	CSIR		
		SC15CM	198-254V, 50HZ	125	195	300	425	565	620	725	930	1165	1420						15.28	495	CSIR		
		SC18CM	198-242V, 50HZ	145	225	345	500	650	710	830	1085	1365	1665						17.69	495	CSR		
		SC15/15CM	198-242V, 50HZ	250	390	600	850	1130	1240	1450	1860	2330	2840						2x15.28	2x495	CSIR		
		SC18/18CM	198-242V, 50HZ	290	450	690	1000	1300	1420	1660	2170	2730	3330						2x17.69	2x495	CSR		
		SC10D	198-254V, 50HZ								565	725	925	1160	1435	1565	1755	2100	10.29	385	CSIR		
R134a	MBP	SC12D	198-242V, 50HZ							720	930	1185	1470	1790	1940	2145	2540	12.87	470	CSIR			
		SC15D	198-242V, 50HZ							890	1160	1470	1810	2190	2360	2600	3050	15.28	590	CSR			
		NL6.1MF	187-254V, 50HZ							155	208	270	344	430	531	581	648	6.13		RSIR/CSIR			
		NL7.3MF	187-254V, 50HZ							197	260	335	424	528	651	710	792	7.27	270	RSIR/CSIR			
		NL8.4MF	187-254V, 60HZ							234	304	389	489	608	748	816	910	8.35	292	RSIR/CSIR			
		NL10MF	187-254V, 60HZ							292	380	485	609	756	927	1011	1127	10.1	320	RSIR/CSIR			
	HBP/LBP	GS26MFX**	198-254V, 50HZ							752	979	1254	1581	1968	2419	2639			26.3		CSR		
		GS34MFX**	198-254V, 50HZ							958	1246	1596	2013	2505	3079	3360			33.8		CSR		
		TL3G	198-254V, 50HZ				31.2	50.4	57.7	72.9	99.4	131	168	211	262	287	321	388	3.13	95	RSIR/CSIR		
		TL4G	198-254V, 50HZ				50.3	71.9	80.5	99.2	133	173	222	280	347	380	425	515	3.86	110	RSIR/CSIR		
		TL5G	198-254V, 50HZ				68.6	97.5	108	132	172	220	277	345	423	461	514	619	5.08	140	RSIR/CSIR		
		FR6G	187-254V, 60HZ,LBP				58.9	103	119	153	211	279	359	452	561	614	687			6.23	150	RSIR/CSIR	
R404A/R507	LBP	FR7.5G	187-254V, 50HZ				76.1	122	139	176	239	314	402	506	627	687	768			6.93	175	RSIR/CSIR	
		FR8.5G	187-254V, 50HZ				105	152	171	211	282	368	471	592	734	803	898			7.95	215	RSIR/CSIR	
		FR10G	187-254V, 50HZ				113	167	188	232	308	400	510	639	791	866	968			9.05	275	RSIR/CSIR	
		FR11G	187-254V, 50HZ				141	209	235	287	378	487	619	777	966			11.15	275	RSIR/CSIR			
		SC10G	187-254V, 50HZ,LBP					29	74	139	166	225	331	456	600	764	946	1032	1147	1367	10.29	250	RSIR/CSIR
		SC12G	187-254V, 50HZ,LBP					79.6	140	216	246	312	430	574	746	951	1191	1308	1469	1790	12.87	315	RSIR/CSIR
	MBP	SC15G	198-254V, 50HZ							203	255	358	523	703	901	1124	1377	1499	1665	1993	15.28	385	CSIR
		SC18G	187-254V, 60HZ,LBP							348	392	485	649	844	1074	1343	1655	1807	2014	2423	17.69	495	CSIR
		SC21G	187-254V, 50HZ							410	456	558	746	977	1250	1568	1931	2106	2343	2803	20.95	550	CSR
		FR6CL	198-254V, 50HZ				90	125	168	220	283	307	358	447	553	676			6.23	215	CSIR		
		FR7.5CL	198-254V, 50HZ				101	132	178	235	305	333	388	488	602	737			6.93	235	CSIR		
		FR8.5CL	198-254V, 50HZ				115	147	195	259	338	369	434	546	674			7.95	275	CSIR			
R404A/R507	LBP	NL7CLX	198-254V, 50HZ				118	169	231	305	395	429	500	623	765	927			7.27	235	RSIR/CSIR		
		SC10CL	198-254V, 50HZ							195	300	424	470	569	737	932	1154			10.29	315	CSIR	
		SC12CL	198-254V, 50HZ				67	162	275	410	568	629	754	971	1220	1505			12.87	385	CSIR		
		SC15CL	198-254V, 50HZ							175	347	525	714	782	920	1149	1407	1699			15.28	495	CSIR
		SC18CL	198-254V, 50HZ				193	313	457	628	830	907	1067	1342	1659	2022			17.69	495	CSR		
		SC21CL	198-254V, 50HZ				263	378	529	719	947	1033	1215	1524	1876			20.95	590	CSR			
	MBP	GS26CLX**	198-254V, 50HZ				325	497	703	949	1240	1348	1580	1974	2427			26.3		CSR			
		SC10MLX	187-254V, 50HZ,60HZ							399			772				1532			10.29	470	CSIR	
		SC12MLX	187-254V, 50HZ,60HZ							498	592	754	942	1162	1415	1706	1847			12.87		CSIR	
		SC15MLX	187-254V, 50HZ							758	951	1183	1458	1780	2155			15.28		CSIR			
		SC18MLX	187-254V, 50HZ							887	1111	1380	1698	2072	2507			17.68		CSR			
		GS21MLX**	198-254V, 50HZ							1140	1425	1770	2170	2630	3160	3415			21		CSR		
HBP	GS26MLX**	198-254V, 50HZ							1415	1770	2195	2690	3260	3920	4235			26.3		CSR			
	GS34MLX**	198-254V, 50HZ							1820	2275	2820	3460	4195	5040	5445			33.8		CSR			
	FR6DL	198-254V, 50HZ							370	449	550	673	818	986	1065	1176	1389	6.23	275	CSIR			
	SC10DL	198-254V, 50HZ							547	710	902	1128	1391	1696	1845	2048	2451	10.29	385	CSIR			
	SC12DL	198-254V, 50HZ							707	937	1196	1491	1827	2210	2396	2647	3144	12.87	495	CSIR			
	SC15DL	198-254V, 50HZ							881	1121	1405	1740	2131	2585	2807	3109	3710	15.28	550	CSR			
R134a	LBP/HBP	BD35F	12-24V DC	2000rpm	19.5	29.4	33.1	40.7	54.0	69.8	88.6	111	137	169						2		Variable speed	
				2500rpm	24.9	36.8	41.3	50.7	67.3	87.1	111	139	172										
				3000rpm	27.7	39.9	44.9	55.9	76.1	101	130	164											
				3500rpm	32.2	44.2	49.7	62.2	86	115	150												
				2000rpm	24.7	38.3	43.1	52.9	69.5	89.3	113	143	178	221									
				2500rpm	33.3	48.1	53.6	65	85.1	110	140	178	224										
	LBP/HBP	BD50F	12-24V DC	3000rpm	38.2	56.0	62.5	75.9	100	129	166	212						2.5		Variable speed			
				3500rpm	47	65.7	72.9	88.7	117	153	196												

Compressors



Explanatory Drawings

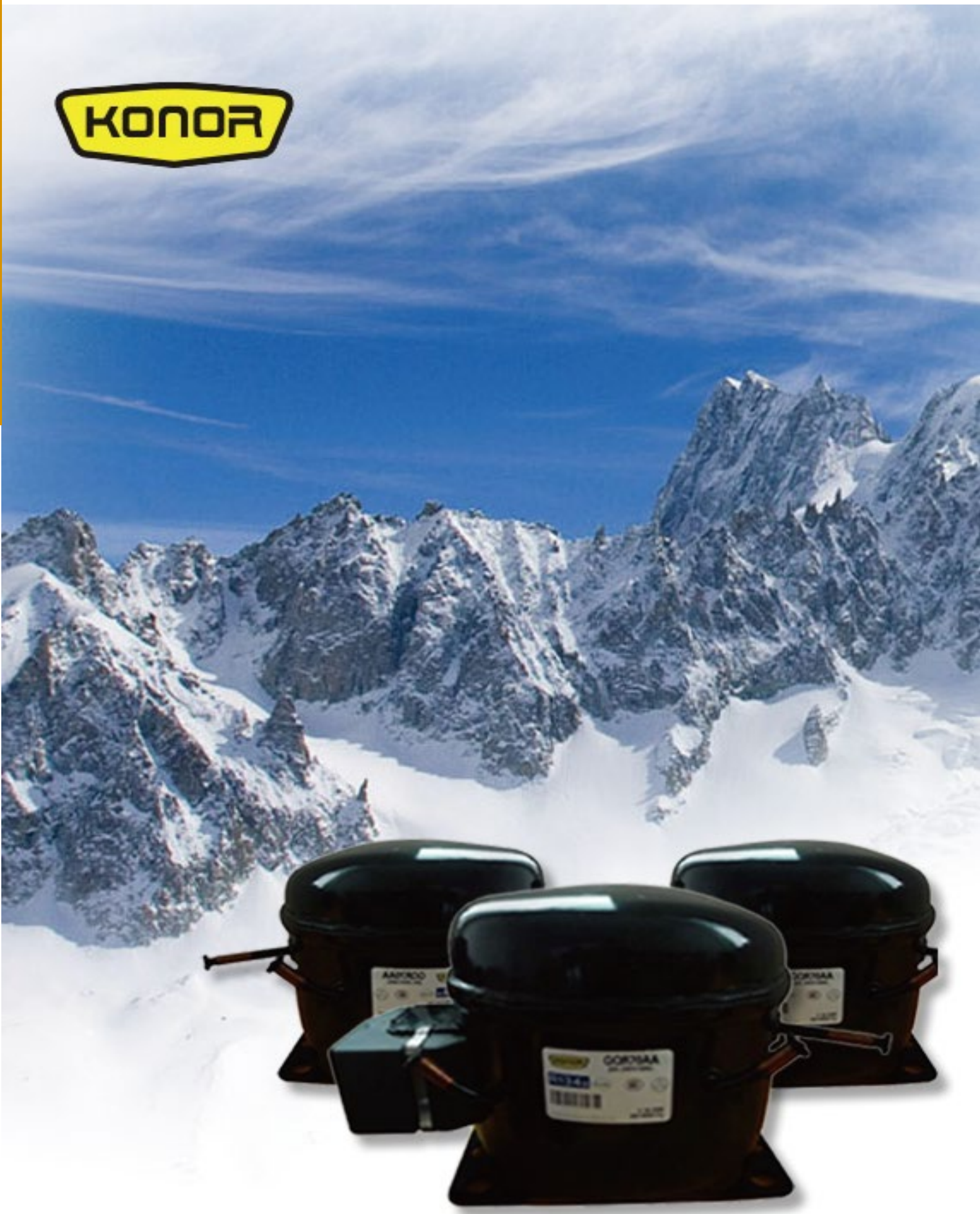
GS		Model	Size				
			Height	Height	Air Suction Pipe	Process Pipe	Discharge Pipe
			A	B	C	D	E
GS26MFX	259	247	12.9	6.5	8.2		
GS34MFX	259	247	12.9	6.5	8.2		
GS26CLX	259	247	12.9	6.5	8.2		
GS21MLX	259	247	12.9	6.5	8.2		
GS26MLX	259	247	12.9	6.5	8.2		
GS34MLX	259	247	12.9	6.5	8.2		

TL	NL	FR

Model	Size				
	Height	Height	Air Suction Pipe	Process Pipe	Discharge Pipe
	A	B	C	D	E
TL3G	163	159	6.2	6.2	5
TL4G	173	169	6.2	6.2	5
TL5G	173	169	6.2	6.2	5
NL6.1MF	197	191	8.2	6.2	6.2
NL7.3MF	197	191	8.2	6.2	6.2
NL8.4MF	197	191	8.2	6.2	6.2
NL10MF	203	197	8.2	6.2	6.2
NL7CLX	203	197	8.2	6.2	6.2
FR11B	196	191	8.2	6.2	6.2
FR6G	196	191	8.2	6.2	6.2
FR7.5G	196	191	8.2	6.2	6.2
FR8.5G	196	191	8.2	6.2	6.2
FR10G	196	191	8.2	6.2	6.2
FR11G	196	191	8.2	6.2	6.2
FR6CL	196	191	8.2	6.2	6.2
FR7.5CL	196	191	8.2	6.2	6.2
FR8.5CL	196	191	8.2	6.2	6.2
FR6DL	196	191	8.2	6.2	6.2

SC	SC Twin

Model	Size				
	Height	Height	Air Suction Pipe	Process Pipe	Discharge Pipe
	A	B	C	D	E
SC10B	199	193	8.2	6.2	6.2
SC12B	209	203	8.2	6.2	6.2
SC15B	209	203	10.2	6.2	6.2
SC18B	219	213	10.2	6.2	6.2
SC21B	219	213	10.2	6.2	6.2
SC10C	199	193	8.2	6.2	6.2
SC12C	209	203	8.2	6.2	6.2
SC15CM	209	203	10.2	6.2	6.2
SC18CM	219	213	10.2	6.2	6.2
SC10D	199	193	10.2	6.2	8.2
SC12D	209	203	10.2	6.2	8.2
SC15D	209	203	10.2	6.2	8.2
SC10G	199	193	8.2	6.2	6.2
SC12G	209	203	8.2	6.2	6.2
SC15G	209	203	10.2	6.2	6.2
SC18G	219	213	8.2	6.2	6.2
SC21G	219	213	10.2	6.2	6.2
SC10CL	209	203	8.2	6.2	6.2
SC12CL	209	203	8.2	6.2	6.2
SC15CL	219	213	10.2	6.2	6.2
SC18CL	219	213	10.2	6.2	6.2
SC21CL	219	213	10.2	6.2	6.2
SC10MLX	209	203	8.2	6.5	6.5
SC12MLX	219	213	8.2	6.5	6.5
SC15MLX	219	213	10.2	6.2	6.2
SC18MLX	219	213	10.2	6.2	6.2
SC10DL	209	203	8.2	6.2	6.2
SC12DL	219	213	10.2	6.2	6.2
SC15DL	219	213	10.2	6.2	6.2



KONOR

R134a

Application	Voltage & Frequency V&Hz	Model	Dis. cc	PERFORMANCE						Motor type	ELECTRICAL PARTS				Oil Q'ty (cc)	Cooling Type	
				50Hz ASHRAE			60Hz ASHRAE				Starting Device	Motor Protector	Capacitor				
				Capacity(-23.3°C) w	Btu/h	EER	Capacity(-23.3°C) w	Btu/h	EER				Starting (µ F/VAC)	Running (µ F/VAC)			
LBP	220-240 50	GQR60AA	6.0	140	478	1.20	4.12			RSIR	8100	B75-120/T0062			240	ST	
		GQR70AA	6.6	160	546	1.25	4.27			RSIR	8100	B75-120/T0062			240	ST	
		GQR80AA	8.1	195	666	1.25	4.27			RSIR	8100	B85-120			240	ST	
		GQR90AA	9.1	220	751	1.35	4.61			RSIR	8100	T0490			240	ST	
		GQY90AA	9.1	245	836	1.30	4.45			RSIR	8100	T0377			320	ST	
		GQY99AA	9.9	270	922	1.30	4.43			RSIR	8100	B90-130			400	ST	
	220-240 50-60	GQR45AG	4.6	115	393	1.10	3.74	135	461	1.20	4.08	RSIR	8100	B75-120/T0062		240	ST
		GQR60AG	6.0	140	478	1.20	4.09	165	563	1.30	4.44	RSIR	8100	B90-130/T0502		240	ST
		GQR70AG	6.6	160	546	1.20	4.11	195	666	1.45	4.97	RSIR	8100	B90-130/T0502		240	ST
		GQR80AG	8.1	195	666	1.30	4.44	240	819	1.40	4.79	RSIR	8100	T0490		240	ST
		GQR90AG	9.1	220	751	1.35	4.61	260	888	1.45	4.96	RSIR	8100	T0490		240	ST
		GQY90AG	9.1	245	836	1.35	4.62	290	990	1.40	4.78	RSIR	8100	T0296		320	ST
	115 60	GQY45AD	4.6					145	495	1.25	4.27	RSIR	8115	T0296		240	ST
		GQY50AD	5.0					155	529	1.30	4.45	RSIR	8115	T0296		240	ST
		GQY55AD	5.5					180	615	1.35	4.62	RSIR	8115	T0296		240	ST
		GQY70AD	6.6					205	700	1.30	4.43	RSIR	8115	T0683		320	ST
		GP12AD	11.8					315	1075	1.25	4.27	CSIR	MTRP5415/QL2-10.5	T0952	200/330	400	FC
		GPY12AF	12.1	320	1093	1.25	4.27					CSIR	MTRP4315/QL2-6.1	B94-130	47/330	320	FC
200-240 50	GPY16AF	16.1	400	1366	1.30	4.43					CSIR	MTRP4315/QL2-6.1	B120-120/T0954	47/330	400	FC	
	GP12MG	11.8	640	2185	1.60	5.46	760	2595	1.63	5.82	CSIR	MTRP3915/QL2-5.1	T0954	47/330	320	FC	
MBP	220-240 50-60	GP16MG	16.1	850	2902	1.55	5.30	950	3243	1.55	5.29	CSIR	MTRP4615/QL2-7.1	T0952	47/330	400	FC
	115 60	GP12MD	11.8				760	2595	1.65	5.64	CSIR	MTRP5415/QL2-10.5	T0952	200/330	400	FC	
HMHP	220-240 50-60	GQR60TG	6.0	520	1775	2	6.83	620	2117	2.10	7.18	CSIR	MTRP3815/QL2-4.8	4TM308/BT110	47/330	240	FC
		GQR80TG	8.1	730	2492	2.15	7.33	820	2800	2.20	7.51	CSIR	MTRP4615/QL2-7.1	B100-105/T0952	47/330	320	FC
		GQR90TG	9.1	830	2834	2.2	7.52	930	3175	2.20	7.51	CSIR	MTRP4615/QL2-7.1	B100-105/T0952	47/330	320	FC
		GP12TG	11.8	1120	3824	2.10	7.17	1300	4438	2.20	7.52	CSIR	MTRP4815/QL2-7.9	B123-115	47/330	400	FC
VHBP	220-240 50	GQR80YB	8.1	800	2731	3	10.23				RSCR	8100	B126-120		4/450	400	FC
		GP12YF	11.8	1250	4268	2.60	8.89					CSIR	MTRP4815/QL2-7.9	T0268	47/330	400	FC

R600a

Application	Voltage & Frequency V&Hz	Model	Dis. cc	PERFORMANCE						Motor type	ELECTRICAL PARTS				Oil Q'ty (cc)	Cooling Type
				50Hz ASHRAE			60Hz ASHRAE				Starting Device	Motor Protector	Capacitor			
				Capacity(-23.3°C) w	Btu/h	EER	Capacity(-23.3°C) w	Btu/h	EER				Starting (µ F/VAC)	Running (µ F/VAC)		
LBP	220-240 50	**HWM40AA	4.0	65	222	1.35	4.62									
		**HWM50AA	5.0	80	273	1.35	4.63									
		HWM60AA	6.1	100	341	1.35	4.61			RSIR	PD10B	BT45-100A61			240	ST
		HWM70AA	6.6	115	393	1.35	4.62			RSIR	PD10B	BT45-100A61			240	ST
		HWM80AA	8.1	130	444	1.30	4.44			RSIR	PD10B	BT56-120A61			240	ST
		**HWU70AA	6.6	115	393	1.70	5.77								240	ST
		HHM80AZ	8.1	135	461	1.30	4.43			RSIR	8100	B52-125			240	ST
		HHM90AA	9.1	155	529	1.30	4.45			RSIR	8100	B52-125			240	ST
		HHM99AA	9.9	165	563	1.30	4.44			RSIR	8100	T0062/B75-120			240	ST
		HHM12AA	11.2	185	632	1.20	4.10			RSIR	8100	B85-120			240	ST
		HHT80AA	8.1	135	461	1.60	5.49			RSIR	8100	B44-105			240	ST
		HHT90AA	9.1	155	529	1.60	5.46			RSIR	8100	B44-105			240	ST
	115 60	HHB60AA	6.1	100	341	1.85	6.32			ESCR	TY-QZ-002	BT45-100A61		3/450	240	ST
		HHB70AA	6.6	115	393	1.85	6.33			ESCR	TY-QZ-003	4TM166/BT45-100A61		3/450	240	ST
		HHB80AA	8.1	138	471	1.85	6.28			ESCR	TY-QZ-003	4TM166/BT45-100A61		4/450	240	ST
		**HHY70AD	6.6	130	444	1.40	4.77									
		**HHY80AD	8.1	150	512	1.40	4.79									
		**HHY90AD	9.1	180	615	1.40	4.80									
100 50-60	**HHT70AD	6.6	130	444	1.60	5.48										
	**HHT80AD	8.1	150	512	1.60	5.45										
		**HHT90AD	9.1	180	615	1.60	5.49									
		HHT70AJ	6.6	110	376	1.55	5.29			RSCR	PTH7M	4TM757		10/450	240	ST

R290

Application	Voltage & Frequency V&Hz	Model	Dis. cc	PERFORMANCE						Motor type	ELECTRICAL PARTS				Oil Q'ty (cc)	Cooling Type	
				50Hz ASHRAE			60Hz ASHRAE				Starting Device	Motor Protector	Capacitor				
				Capacity(-23.3°C) w	Btu/h	EER	Capacity(-23.3°C) w	Btu/h	EER				Starting (µ F/VAC)	Running (µ F/VAC)			
LBP	220-240 50	NQS60AA	6.1	280	956	1.55	5.31			RSCR	8100	T0530		5/450	320	FC	
		NQS70AA	6.6	320	1093	1.55	5.30			RSCR	8100	T0530		5/450	320	FC	
		NQS80AA	8.1	380	1297	1.55	5.30			RSCR	8100	T0490		5/450	400	FC	
		NQS99AA	9.9	480	1639	1.55	5.29			RSCR	8100	T0296		6/450	400	FC	
MBP	220-240 50-60	NQR70MG	6.6	510	1741	1.50	5.12	610	2083	1.55	5.29	CSIR	MTRP3815/QL2-4.8	T0683	47/330	320	FC
		NQR90MG	9.1	705	2407	1.60	5.47	840	2868	1.65	5.62	CSIR	MTRP4615/QL2-7.1	B100-105	47/330	320	FC

R404A

Application	Voltage & Frequency V&Hz	Model	Dis. cc	PERFORMANCE						Motor type	ELECTRICAL PARTS				Oil Q'ty (cc)	Cooling Type
				50Hz ASHRAE			60Hz ASHRAE				Starting Device	Motor Protector	Capacitor			
				Capacity(-23.3°C) w	Btu/h	EER	Capacity(-23.3°C) w	Btu/h	EER				Starting (µ F/VAC)	Running (µ F/VAC)		
LBP	220-240 50	MQR80AA	8.1	350	1195	1.05	3.59			CSIR	MTRP4615/QL2-7.1	T0954	47/330		320	FC
		MQR90AA	9.1	380	1297	1.05	3.58			CSIR	MTRP4615/QL2-7.1	T0954	47/330		320	FC
		MP12AA	11.8	500	1707	1.05	3.59			CSIR	MTRP4815/QL2-7.9	T0952	47/330		400	FC
		MP14AA	14.3	600	2049	1.05	3.59			CSIR	MTRP4615/QL2-7.1	T0952	47/330		400	FC
		**MP16AA	16.1	700	2390	1.05	3.58									

Copper Tubes & Fittings
AC/R Spare Parts & Accessories
Compressors
Refrigerant & Chemicals
AC Installation
AC/R Service Tools & Equipment
Motors & Fans
AC Units
Auto AC Parts



LG

Life's Good

5275 nlpic.com/jayuden

LG

CMA Series

R600a

Rating	Series	Model	ASHRAE (Eva/Cond'=-23.3°C/54.4°C)								
			PTC/ *M~RSCR, *G~RSIR			e-PTC/RSCR					
			Cooling Capacity			Power	COP	EER	Power	COP	EER
(kcal/hr)	(W/hr)	(Btu/hr)	(W)	(W/W)	(Btu/W.hr)	(W)	(W/W)	(BTU/W.h)			
220v~240v 50Hz	CMA High	CMA057NAEM	84	98	335	51	1.91	6.53	50	1.97	6.73
		CMA062NAEM	96	112	382	58	1.92	6.55	57	1.97	6.72
		CMA069NAEM	103	120	410	63	1.92	6.56	61	1.97	6.72
		CMA075NAEM	120	139	475	72	1.93	6.58	71	1.97	6.72
		CMA082NAEM	129	151	514	78	1.93	6.59	77	1.97	6.72
		CMA089NAEM	139	162	553	84	1.94	6.61	82	1.97	6.73
	CMA Middle	CMA098NAEM	155	180	615	95	1.90	6.48	93	1.93	6.59
		CMA110NAEM	167	194	662	106	1.82	6.23	105	1.85	6.31
		CMA057NHHEM	84	98	335	55	1.80	6.14	53	1.85	6.31
		CMA062NHHEM	97	113	386	61	1.85	6.31	60	1.90	6.47
		CMA069NHHEM	103	120	410	65	1.85	6.30	64	1.84	6.45
		CMA075NHHEM	120	139	475	75	1.85	6.33	74	1.89	6.46
	CMA Low	CMA082NHHEM	127	148	504	80	1.84	6.29	79	1.88	6.42
		CMA089NHHEM	138	161	548	87	1.84	6.30	86	1.88	6.41
		CMA098NHHEM	156	181	618	101	1.80	6.13	98	1.85	6.32
		CMA089NJEG	138	160	546	98	1.64	5.60			
		CMA098NJEG	155	180	615	110	1.64	5.60			
		Japan Model	CMA057NAAG	82	95	324	60	1.60	5.45		
220v~240v 50Hz	CSA	CMA057NAAG	98	114	389	69	1.65	5.64			
		CSA043NHEG	58	68	232	55	1.23	4.20			
		CSA053NHEG	72	84	287	65	1.30	4.44			
		CSA057NHEG	84	98	335	70	1.40	4.78			
		CSA062NHEG	89	104	355	73	1.42	4.85			
		CSA069NHEG	101	118	403	79	1.49	5.09			
		CSA075NHEG	115	134	458	91	1.47	5.02			
		CSA057NHHEM	84	98	335	67	1.46	4.98			
		CSA062NHHEM	89	104	355	70	1.48	5.05			
		CSA069NHHEM	101	118	403	77	1.53	5.22			
		CSA075NHHEM	115	134	458	87	1.54	5.26			
		CSA057NJEG	85	99	338	79	1.25	4.28			
		CSA075NJEG	115	134	458	107	1.25	4.27			
		CSA062NHAG	89	103	352	79	1.31	4.47			
		CSA062NHAG	108	126	430	85	1.48	5.05			
		CSA069NHAG	99	115	393	85	1.36	4.64			
		CSA069NHAG	117	136	464	92	1.48	5.05			
		CSA057NHCG	97	113	386	78	1.45	4.95			
CSA069NHCG	115	134	458	92	1.46	4.98					
CSA075NHCG	133	155	529	106	1.46	4.98					

R134a

Rating	Series	Model	ASHRAE (Eva/Cond'=-23.3°C/54.4°C)								
			PTC/ *M~RSCR, *G~RSIR			e-PTC/RSCR					
			Cooling Capacity			Power	COP	EER	Power	COP	EER
(kcal/hr)	(W/hr)	(Btu/hr)	(W)	(W/W)	(Btu/W.hr)	(W)	(W/W)	(BTU/W.h)			
220v~240v 50Hz	CMA LBP	CMA053LHEG	129	150	512	106	1.42	4.83			
		CMA057LHEG	140	163	556	115	1.42	4.83			
		CMA057LHEM	138	160	548	110	1.46	4.98			
		CMA057LAEM	141	163	558	102	1.61	5.50			
		CMA069LAEM	165	192	655	119	1.61	5.50			
115v 60Hz	CMA LBP	CMA042LHCM	111	129	441	88	1.47	5.01			
		CMA053LHCM	148	172	588	115	1.49	5.10			
220v 60Hz	CMA LBP	CMA042HHDM	405	471	1608	183	2.58	8.81			
220v 60Hz		CMA062HHDM	615	715	2442	277	2.58	8.80			
220v 60Hz		CMA075HADM	740	860	2938	334	2.58	8.80			

CSA Series

R600a

Rating	Series	Model	ASHRAE (Eva / Cond' = -23.3°C / 54.4°C)								
			PTC / *M~RSCR, *G~RSIR						e-PTC/RSCR		
			Cooling Capacity			Power	COP	EER	Power	COP	EER
(kcal/hr)	(W/hr)	(Btu/hr)	(W)	(W/W)	(Btu/W.hr)	(W)	(W/W)	(BTU/W.h)			
220v~240v 50Hz	CSA (R600a)	CSA057NHEG	84	98	288	70	1.40	4.11			
		CSA062NHEG	89	104	305	73	1.42	4.17			
		CSA069NHEG	101	118	346	79	1.49	4.37			
		CSA075NHEG	115	134	393	91	1.47	4.32			
115v 60Hz		CSA057NHCG	97	113	332	78	1.45	4.26			
100v 50Hz		CSA069NHCG	115	134	393	92	1.46	4.29			
100v 60Hz		CSA062NHAG	89	103	352	79	1.31	4.47			
100v 50Hz		CSA062NHAG	108	126	370	85	1.48	4.35			
100v 60Hz		CSA069NHAG	99	115	393	85	1.36	4.64			
100v 60Hz		CSA069NHAG	117	136	399	92	1.48	4.35			

BLDC Series

R600a

Type	Series	Model	Speed range	Speed	Operating conditions							
					ASHRAE Te/TC = -23.3/54.4°C, RT 32°C			ISO Te/TC = -29 / 31°C, RT 25°C				
					Capacity	EER	COP	Capacity	EER	COP		
(rpm)	(rpm)	(Btu/hr)	(W)	(Btu/Whr)	(W/W)	(Btu/hr)	(W)	(Btu/Whr)	(W/W)			
BLDC R600a	BMA	BMA121NAMV	1,200 ~4,500	4500	1115	327	-	-	976	286	-	-
				3000	810	237	6.32	1.85	709	208	766	2.24
				1800	486	142	6.66	1.95	425	125	805	2.36
				1500	399	117	6.66	1.95	343	100	794	2.32
	BMG	BMG069NAMV	1,200 ~4,500	4500	568	166	-	-	498	146	-	-
				3000	444	131	6.98	2.05	389	114	8.12	2.38
				1800	265	79	7.31	2.14	232	68	8.50	2.49
				1500	222	66	7.24	2.12	195	57	8.42	2.47
		BMG069NHMV	1,200 ~4,500	4500	568	166	-	-	498	146	-	-
				3000	444	131	6.28	1.84	389	114	7.30	2.14
				1800	265	79	6.54	1.92	232	68	7.60	2.23
				1500	222	66	6.54	1.92	195	57	7.60	2.23
		BMG089NAMV	1,200 ~4,500	4500	823	241	6.32	1.85	666	195	-	-
				3000	587	172	6.49	1.90	-	-	-	-
				1800	348	102	6.83	2.00	300	88	8.50	2.49
		BMG089NHMV	1,200 ~4,500	4500	823	241	5.97	1.75	666	195	-	-
	3000			587	172	6.42	1.88	-	-	-	-	
	1800			348	102	6.32	1.85	300	88	7.70	2.26	
	BMG110NAMV	1,200 ~4,500	4500	997	292	6.15	1.80	802	235	-	-	
			3000	751	220	6.83	2.00	-	-	-	-	
			1800	444	130	6.93	2.03	369	108	8.40	2.46	
	BMG110NHMV	1,200 ~4,500	4500	997	292	5.80	1.70	802	235	-	-	
			3000	751	220	6.32	1.85	-	-	-	-	
			1800	444	130	6.49	1.90	369	108	7.50	2.20	
				1500	369	108	6.32	1.85	307	90	7.70	2.26

R134a

Type	Series	Model	Speed range	Speed	Operating conditions							
					ASHRAE			ISO				
					Capacity	EER	COP	Capacity	EER	COP		
(rpm)	(rpm)	(Btu/hr)	(W)	(Btu/Whr)	(W/W)	(Btu/hr)	(W)	(Btu/Whr)	(W/W)			
BLDC R134a	BMA	BMA069LAMV	1,200 ~4,500	4500	1049	307	-	-	1140	334	-	-
				3000	699	205	5.99	1.76	760	223	750	2.20
				1800	446	131	6.33	1.86	485	142	793	2.32
				1500	364	107	6.34	1.86	396	116	794	2.33
		BMA069LHMV	1,200 ~4,500	4500	1,049	307	-	-	1,140	334	-	-
				3000	699	205	5.66	1.66	760	223	7.17	2.10
				1800	446	131	6.00	1.76	485	142	7.60	2.23
				1500	364	107	6.05	1.77	396	116	7.65	2.24
		BMA082LAMV	1,200 ~4,500	4500	1,250	366	-	-	1,359	398	-	-
				3000	833	244	5.99	1.76	906	265	7.17	2.20
				1800	540	158	6.33	1.86	587	172	7.60	2.32
				1500	452	132	6.40	1.88	492	144	7.65	2.34
	BMA082LAMV	1,200 ~4,500	4500	1,250	366	-	-	1,359	398	-	-	
			3000	833	244	6.04	1.77	906	265	7.55	2.21	
			1800	540	158	6.38	1.87	587	172	7.98	2.34	
			1500	452	132	6.50	1.90	492	144	8.10	2.37	

Copper Tubes & Fittings
A/C/R Spare Parts & Accessories
Compressors
Refrigerant & Chemicals
AC Installation
A/C/R Service Tools & Equipment
Motors & Fans
AC Units
Auto AC Parts

R134a

Application	Voltage V	Freq. HZ	Series	Model	Dis. cc	PERFORMANCE													
						50Hz ASHRAE						60Hz ASHRAE							
						Capacity(-23.3℃)			Consumption Power	COP	EER	Capacity(-23.3℃)			Consumption Power	COP	EER		
						Kcal/h	w	Btu/h	w	w/w	Btu/wh	Kcal/h	w	Btu/h	w	w/w	Btu/wh		
LBP	220	50	MSA	MSA30LAJG	3.0	67	78	266	80	0.97	3.30								
				MSA43LBJG	4.3	100	116	397	106	1.11	3.78								
			MA	MA53LAJG	5.3	126	147	500	135	1.08	3.70								
	MA57LBJG	5.7		132	153	524	125	1.23	4.20										
	LX	LX110LAJM	11.0	278	323	1104	232	1.39	4.76										
		220	60	NS	NS24LADG	2.4							43	50	171	76	0.66	2.25	
	NS36LADG				3.6								79	92	314	98	0.94	3.20	
	NS36LADM				3.6								79	92	314	95	0.97	3.30	
	MA			MA53LADG	5.3								152	177	603	134	1.32	4.50	
				MA53LADM	5.3								152	177	603	125	1.43	4.89	
MA57LADM				5.7								171	199	679	128	1.55	5.30		
220	50/60	NS	NS24LABG	2.4	38	44	151	58	0.76	2.60	43	50	171	72	0.69	2.37			
			NS30LABG	3.0	50	58	199	79	0.74	2.51	61	71	242	88	0.81	2.75			
			NS36LABG	3.6	64	74	254	96	0.78	2.65	79	92	314	98	0.94	3.20			
		MA	MA53LABM	5.3	122	142	484	113	1.26	4.30	154	179	611	125	1.44	4.90			
			MA57LABM	5.7	138	160	548	111	1.44	4.90	171	199	679	128	1.55	5.30			
			NS24LAEG	2.4	38	44	151	76	0.58	1.99									
220~240	50	NS	NS24LBEF	2.4	36	42	143	64	0.65	2.23									
			NS30LAEG	3.0	54	63	214	84	0.78	2.65									
			NS36LAEG	3.6	66	77	262	89	0.86	2.94									
			MSA30LAEG	3.0	67	78	266	80	0.97	3.30									
			MSA43LBEG	4.3	100	116	397	106	1.11	3.78									
			MSA43LAEM	4.3	100	116	397	94	1.23	4.20									
		MA	MA53LAEG(AL)	5.3	129	150	512	114	1.32	4.50									
			MA53LAEM(AL)	5.3	129	150	512	106	1.42	4.84									
			MA57LAEG	5.7	138	160	548	119	1.35	4.60									
			MA57LAEM(AL)	5.7	138	160	548	110	1.46	4.98									
			MA57LBEG(AL)	5.7	138	160	548	133	1.20	4.10									
			MA62LCEG	6.2	150	174	596	127	1.38	4.70									
			MA62LCEM	6.2	150	174	596	119	1.46	5.00									
			MA62LDEG	6.9	150	174	596	137	1.27	4.35									
			MA69LDEG	6.2	172	200	683	157	1.27	4.35									
			MA69LCEG	6.9	172	200	683	148	1.35	4.60									
			MA69LCEM	6.9	172	200	683	136	1.46	5.00									
			MA98LAEM	9.8	240	279	953	183	1.52	5.20									
115~127	60	MSA	MSA43LAUG	4.3							120	140	476	119	1.17	4.00			
		MA	MA53LAUG	5.3							150	174	596	138	1.27	4.32			
		MC	MC57LAUM	5.7							165	192	655	117	1.64	5.60			
115	60	NS	NS24LACG	2.4							45	52	179	77	0.68	2.32			
			NS24LBCG	2.4							43	50	171	70	0.71	2.44			
			NS24LBCM	2.4							43	50	171	67	0.75	2.55			
			NS30LACG	3.0							64	74	254	89	0.83	2.85			
			NS30LACM	3.0							65	76	258	85	0.88	2.99			
			NS36LACG	3.6							76	88	302	99	0.89	3.05			
		NSA	NSA24LACG	2.4							50	58	199	80	0.73	2.48			
			NSA30LACG	3.0							70	81	278	92	0.88	3.02			
			NSA36LACG	3.6							83	97	330	104	0.93	3.17			
			MSA24LACG	2.4							61	71	242	69	1.03	3.51			
			MSA30LACM	3.0							82	95	326	76	1.25	4.28			
			MSA36LACM	3.6							98	114	389	91	1.25	4.27			
		MA	MA53LBCG	5.3							148	172	588	126	1.36	4.65			
			MA53LBCM	5.3							148	172	588	119	1.45	4.94			
			MA53LCCM	5.3							153	178	607	119	1.49	5.10			
			MC	MC57LDCM	5.7						169	197	671	122	1.61	5.50			
			220~240	50	NS	NS36HAEG	3.6	675	785	2680	178	1.79	6.12						
					LX	LX110HAEP	11.0	910	1058	3613	515	2.05	7.01						

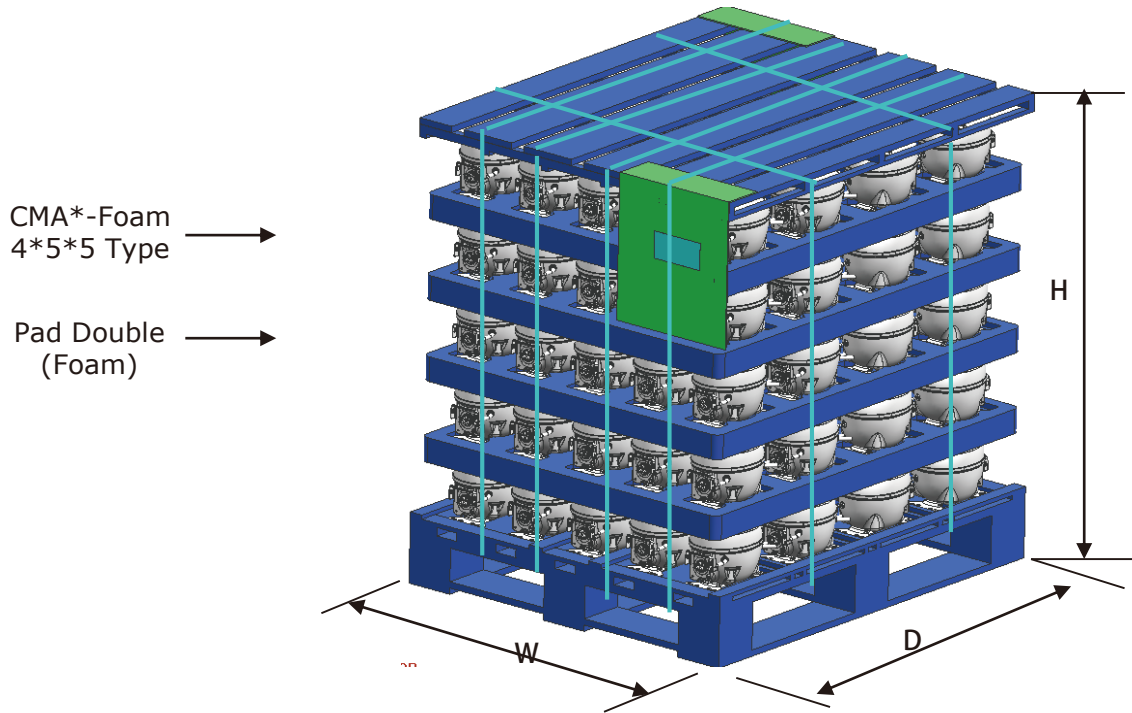
R600a

Application	Voltage V	Freq. HZ	Series	Model	Dis. cc	PERFORMANCE											
						50Hz ASHRAE						50Hz CECOMAF / 60Hz ASHARE					
						Capacity(-23.3℃)			Input	COP	Capacity(-25℃)			Input	COP		
						Kcal/h	w	Btu/h	w	w/w	Kcal/h	w	Btu/h	w	w/w		
LBP	220~240	50	MSA	MSA36NBEG	3.6							38	44	150	48	0.92	
				MSA36NBEM	3.6	50	59	200	45	1.31							
				MSA43NAEM	4.3	62	72	246	52.5	1.37							
			MB	MB98NBEM	9.8	152	176	601	109.5	1.61							
				MB108NAEM	10.8	168	195	666	127	1.54							
				LQ	LQ125NAEM	12.5	203	235	802	131	1.80						
	100	50/60	NS	LQ140NAEM	14.0	224	260	888	144	1.80							
				NS36NAAG☆	3.6	43	50	171	75	0.67	52	60	205	68	0.88		
			MSA	MSA43NBAG☆	4.3	62	72	246	76	0.95	73	85	290	76	1.12		
				MSA43NBAM☆	4.3	59	68	232	67	1.01	72	84	287	70	1.20		
MB	MB75NHAM☆	7.5	116	134	458	91	1.47	134	155	529	101	1.535					
115	60	NSA	NSA43NACG	4.3							73	85	290	68	1.25		
			NSA43NACM	4.3							73	85	290	65	1.31		



		NS*	CSA*	L*	M*/BMA*		CMA*-Wood	CMA*-Plastic	CMA*-Foam
Dimension mm (inch)	W	1,100 (43.3)							1100(43.3)
	D	800 (31.5)							912(35.9)
	H (Max)	1,010 (39.8)	50 (41.8)	1,020 (40.2)	900 (35.4)	900 (35.4)	1,070 (35.4)	1,020 (39.8)	1,120 (42.1)
Q'ty (EA)		125 (5*5*5)	125 (5*5*5)	64 (4*4*4)	72 (3*6*4)	80 (4*5*4)	90 (3*6*5)	90 (3*6*5)	100 (4*5*5)

* Stacking : 3pallets max. compressor



LGETR

Copper Tubes & Fittings

AC/R Spare Parts & Accessories

Compressors

Refrigerant & Chemicals

AC Installation

AC/R Service Tools & Equipment

Motors & Fans

AC Units

Airto AC Parts



GMCC

ROTARY COMPRESSORS





GMCC

Series	Typical Model	Displ (cm³/rev)	Cooling Capacity (W)	Cooling Capacity (Btu/h)	Power (W)	COP (W/W)	Compressor Height (mm)	Discharge Pipe ID (mm)	Suction Pipe ID (mm)	Remark		
										Test Condition	Refrigeration	
SN	ASN98D22UFZ	9.8	2900	9895	736	3.94	251	8.1	12.9	SEER60	R410A	DC INVERTER SINGLE CYLINDER
	ASN98D32UFZ	9.8	2900	9895	729	3.98	251	8.1	12.9			
	ASN108D22UFZ	10.8	3250	11089	825	3.94	251	8.1	12.9			
	ASN108D32UFZ	10.8	3250	11089	817	3.98	251	8.1	12.9			
SM	ASM89D12UFZ	8.9	2650	9042	694	3.82	259	8.1	12.9			
	ASM89D1UFZ	8.9	2650	9042	663	4.00	259	8.1	12.9			
	ASM98D17UFZA	9.8	2900	9895	747	3.88	283	8.1	12.9			
	ASM98D1UFZA	9.8	2900	9895	721	4.02	283	8.1	12.9			
	ASM108D13UFZ	10.8	3205	10935	846	3.79	283	8.1	12.9			
M1	ASM108D1UFZA	10.8	3205	10935	797	4.02	283	8.1	12.9			
	DA89M1C-30FZ	8.9	2645	9025	665	3.98	240	8.1	12.9			
	DA98M1C-30FZ	9.8	2900	9918	735	3.95	278	8.1	12.9			
	DA130M1C-31FZ	13.0	3905	13355	995	3.90	278	8.1	12.9			
S1	DA130M1C-28FZ	13.0	3930	13409	990	3.95	278	8.1	12.9			
	DA115S1B-27FZ	11.5	3380	11533	840	4.02	279	8.1	12.9			
	DA131S1B-31FZ	13.1	3930	13410	1005	3.90	279	8.1	12.9			
	DA131S1B-28FZ	13.1	3934	13423	993	3.96	279	8.1	12.9			
S2	DA150S1C-20FZ	15.0	4490	15320	1145	3.90	279	8.1	12.9			
	DA150S1C-28FZ	15.0	4515	15405	1135	3.98	279	8.1	12.9			
	DA200S2C-10MT	20.2	6115	20864	1745	3.50	322	9.8	16.2			
	DA200S2C-30MT	20.2	6110	20847	1720	3.55	322	9.8	16.2			
	DA230S2C-31MT	23.0	7000	23884	1930	3.63	322	9.8	16.2			
	DA250S2C-30MT	25.1	7700	26272	2110	3.65	322	9.8	16.2			

Series	Typical Model	Displ (cm³/rev)	Cooling Capacity (W)	Cooling Capacity (Btu/h)	Power (W)	COP (W/W)	Capacitor (µF/V)	Compressor Height (mm)	Discharge Pipe ID (mm)	Suction Pipe ID (mm)	Remark		
											test condition	refrigeration	
SM	HSM135V1UFZ	13.3	2330	7950	700	3.33	25/370	292	8.1	12.9	ASH	R22	1φ-50Hz-220/240V
	HSM140V1UFZ	13.9	2435	8308	735	3.32	25/370	292	8.1	12.9			
	HSM145V1UFZ	14.6	2570	8769	775	3.32	25/370	292	8.1	12.9			
	HSM150V5UFZ	15.1	2640	9008	800	3.30	25/370	292	8.1	12.9			
	HSM155V1UFZ	15.3	2665	9093	815	3.27	25/370	292	8.1	12.9			
	HSM160V5UFZ	15.8	2755	9400	840	3.28	25/370	292	8.1	12.9			
	HSM165V1UFZ	16.4	2845	9707	870	3.27	30/370	292	8.1	12.9			
	HSM185V1UFZ	18.7	3245	11072	980	3.30	35/370	301	8.2	12.9			
	HSM190V1UFZ	19.2	3345	11413	1040	3.22	35/370	301	8.2	12.9			
	HSM195V1UFZ	19.7	3460	11806	1040	3.22	35/370	301	8.2	12.9			
	HSM200V1UFZ	20.1	3480	11874	1070	3.25	35/370	301	8.2	12.9			
	M2	HSM210V4UFZ	20.9	3605	12300	1120	3.22	40/370	301	8.2			
HSM215V4UFZA		21.4	3720	12693	1155	3.22	40/370	301	8.2	12.9			
PH190M2A-4FTL1		19.1	3764	12842	840	4.48	35/370	293	8.2	12.9			
PH195M2A-4FTL1		19.5	3863	13180	862	4.48	35/370	293	8.2	12.9			
PH200M2A-4FTL1		20.0	3962	13518	884	4.48	35/370	293	8.2	12.9			
PH210M2A-4FTL1		20.9	4160	14194	930	4.48	35/370	293	8.2	12.9			
G2		PH290G2C-4KUL1	28.7	5760	19653	1280	4.50	55/400	310	9.8	12.9		
		PH300G2C-4KUL1	29.7	5970	20370	1320	4.52	55/400	310	9.8	12.9		
		PH310G2C-4KUL	30.8	6135	20933	1370	4.48	55/400	310	9.8	12.9		
		PH300G2CS-4MUL	39.8	8095	27620	1800	4.50	55/400	354	9.8	12.9		
M3		PH410M3CS-4MUL	41.0	8270	28217	1880	4.40	60/400	381	9.8	16.2		
		PH420M3CS-4MUL	42.0	8500	29002	1930	4.40	60/400	381	9.8	16.2		
	PH430M3CS-4MUL1	42.6	8675	29599	1970	4.40	60/400	381	9.8	16.2			
	PH440M3CS-4MUL1	43.6	8815	30077	2015	4.37	60/400	381	9.8	16.2			

Series	Typical Model	Displ (cm³/rev)	Cooling Capacity (W)	Cooling Capacity (Btu/h)	Power (W)	COP (W/W)	Capacitor (µF/V)	Compressor Height (mm)	Discharge Pipe ID (mm)	Suction Pipe ID (mm)	Remark		
											test condition	refrigeration	
SM	DSM180V1UDZ	18.1	2990	10200	690	4.30	30/370	285	8.2	9.8	GX	R290	1φ-50Hz-220/240V
SF	DSF240V1UFT	23.9	3980	13580	895	4.45	35/370	292	8.2	12.9			
SF	DSF340V1UFT	34.0	5720	19445	1315	4.35	35/370	325	9.8	12.9			
SG	KSG270V1UMU2	27.0	8350	28485	1950	4.28	50/400	344	9.8	16.2			
SM	DSM160D19UDZ	15.8	2750	9381	670	4.10		270	8.1	9.8	SEER60	R32	DC Inverter
	DSM180D19UDZ	17.9	3100	10575	760	4.10		270	8.1	9.8			
SM	KSM89D16UEZ2	8.9	2780	9484	730	3.77		254	8.1	9.8			
SM	KSM108D10UEZ2	10.8	3385	11548	885	3.82		278	8.1	9.8			
TF	KSM130D12UFZ2	13.0	4065	13867	1090	3.75		278	8.1	12.9			
	KTF250D1UMT2	25.0	7965	27172	2210	3.60		322	9.8	16.2			

Copper Tubes & Fittings
AC/R Spare Parts & Accessories
Compressors
Refrigerant & Chemicals
AC Installation
AC/R Service Tools & Equipment
Motors & Fans
AC Units
Auto AC Parts



Series	Typical Model	Displ (cm³/rev)	Cooling Capacity (W)	Cooling Capacity (Btu/h)	Power(W)					Suction Pipe ID (mm)	Remark		
						COP(W/W)	Capacitor (µF/V)	Compressor Height (mm)	Discharge Pipe ID (mm)		test condition	refrigeration	
GO	PH60G0C-4BZDE	6.0	985	3361	345	2.86	20/370	241	6.5	9.8	ASH	R22	1φ-50Hz-220/240V
	PH104G0C-4BZDE	10.4	1745	5954	580	3.01	25/370	259	6.5	9.8			
	PH108G0C-4BZDE	10.8	1830	6244	590	3.10	25/370	259	6.5	9.8			
SN	HSN82V1UBZ	8.2	1455	4964	485	3.00	25/370	251	6.5	9.8			
M1	PH130M1C-4DZDE2	13.1	2225	7592	725	3.07	25/370	270	9.8	6.5			
G1	PH135G1C-4DZDE1	13.3	2270	7745	725	3.13	30/370	285	9.8	8.2			
SM	HSM150V4UDZ	15.1	2680	9144	885	3.03	30/370	292	8.1	12.9			
	HSM165V4UDZ	16.4	2865	9775	910	3.15	30/370	292	8.1	9.8			
	HSM200V4UDZ	20.1	3525	12027	1175	3.00	35/370	301	9.8	12.9			
	HSM215V4UDZ	21.4	3700	12624	1175	3.15	35/370	301	9.8	12.9			
	HSM215V4UDZ	21.4	3700	12624	1175	3.15	35/370	301	9.8	12.9			
	HSM215V4UDZ	21.4	3700	12624	1215	3.05	35/370	301	8.2	12.9			
M2	PH225M2A-4FT	22.4	3915	13357	1265	3.10	35/370	293	8.2	12.9			
	PH240M2A-4FT1	24.0	4195	14346	1353	3.10	35/370	293	8.2	12.9			
	PH290M2A-4FT1	28.8	5090	17367	1650	3.08	35/370	348	9.8	12.9			
	PH295M2AS-4KUH1	29.7	5350	18253	1715	3.12	45/370	348	9.8	12.9			
	PH310M2AS-4KTH	31.0	5565	18988	1750	3.18	44/370	348	9.8	12.9			
G2	PH300G2C-4KU1	29.8	5340	18220	1645	3.25	55/400	297	9.8	12.9			
	PH310G2C-4KU1	30.8	5515	18817	1695	3.25	55/400	310	9.8	12.9			
	PH340G2C-4KU1	33.7	6030	20574	1865	3.23	60/400	310	9.8	12.9			
	PH340G2C-4KU	33.7	6050	20643	1805	3.35	60/400	310	9.8	12.9			
	PH360G2C-4MU1	36.0	6475	22093	2005	3.23	50/400	324	9.8	16.2			
	PH370G2CS-4MU1	37.0	6650	22690	2065	3.22	50/400	324	9.8	16.2			
	PH370G2C-4MU	37.0	6660	22724	2020	3.30	50/400	324	9.8	16.2			
	PH400G2CS-4MU1	39.8	7100	24225	2225	3.15	50/400	354	9.8	16.2			
	PH400G2CS-4MU	39.8	7095	24208	2215	3.20	50/400	354	9.8	16.2			
	PH420G2CS-4KU1	42.0	7420	25317	2390	3.10	50/400	354	9.8	16.2			
	PH420G2CS-4MU	42.0	7555	25778	2365	3.20	50/400	354	9.8	16.2			
	PH440G2CS-4MU	43.6	7810	26648	2390	3.27	50/400	354	9.8	16.2			
X3	PH460X3CS-4MU1	45.9	45.9	45.9	45.9	45.90	45.9	45.9	45.9	45.9			
	PH480X3CS-4MU1	47.9	47.9	47.9	47.9	47.90	47.9	47.9	47.9	47.9			
SN	HSN98N1UBR	9.8	2075	7080	645	3.22	15/370	251	8.1	9.8			
	HSN10N1VBZ	10.2	2100	7065	665	3.16	15/370	251	8.1	9.8			
GO	PH108G0C-3BZDU	10.8	2200	7506	710	3.10	25/370	259	6.5	9.8			
M1	PH120M1C-3DZDU1	12.2	2490	8496	790	3.15	30/370	266	8.2	9.8			
	PH130M1C-3DZDU1	13.1	2660	9076	850	3.13	30/370	270	6.5	9.8			
G1	PH140G1C-3DZDU1	13.9	2890	9861	895	3.23	35/370	285	8.2	9.8			
	PH150G1C-3DZDU2	15.1	3135	10697	990	3.17	35/370	285	8.2	9.8			
	PH160G1C-3DZDU1	16.0	3280	11191	1015	3.23	35/370	285	8.2	9.8			
SM	PH165G1C-3FZDU1	16.5	3475	11857	1060	3.28	40/370	285	8.2	9.8			
G1	HSM170N2UDZ	17.0	3495	11925	1075	3.25	40/370	292	8.1	9.8			
	PH175G1C-3FTU	17.6	3710	12659	1140	3.25	35/370	294	8.2	12.9			
	PH180G1C-3FTU1	18.1	3800	12966	1195	3.18	40/370	292	8.2	12.9			
	PH195G1C-3FTU1	19.6	4155	14090	1310	3.17	35/370	292	8.2	12.9			
M2	PH225M2C-3FTU1	22.4	4770	16275	1505	3.17	40/370	292	8.2	12.9			
	PH240M2A-3FTU1	23.9	5140	17538	1580	3.25	40/370	292	8.2	12.9			
	PH250M2A-3FTU2	25.0	5400	18425	1685	3.20	40/370	333	9.8	12.9			
X2	PH260M2AS-3KUU1	26.1	5625	19193	1815	3.10	40/400	333	9.8	12.9			
G2	PH290X2C-3FTU1	29.0	6130	20916	1990	3.80	50/370	311	9.8	12.9			
	PH310G2C-3KUU	31.0	6700	22860	2000	3.35	55/400	310	9.8	12.9			
	PH330G2C-3MUU	32.8	7150	24396	2135	3.35	55/400	297	9.8	16.2			
	PH330G2C-3MUU1	32.8	7040	24020	2215	3.18	55/400	297	9.8	16.2			
	PH340G2C-3MUU	33.7	7340	25044	2190	3.35	55/400	297	9.8	16.2			
	PH340G2C-3MUU1	33.7	7280	24839	2275	3.20	55/400	310	9.8	16.2			
	PH360G2C-3KUU1	36.0	7685	26221	2405	3.20	55/400	310	9.8	12.9			
X3	PH370G2C-3MUU1	37.0	8020	27364	2505	3.20	55/400	372	9.8	16.2			
	PH401X3CS-3MUU	40.2	8745	29840	2690	3.25	60/400	372	9.8	16.2			
	PH441X3CS-3MUU	43.5	9470	32312	2915	3.25	60/400	292	9.8	16.2			
M1	EH130M1C-1DZDU1	13.1	2700	9212	850	3.17	45/250	266	8.2	9.8			
	EH170M1B-1DZ1	16.8	3500	11942	1120	3.13	55/250	285	8.2	9.8			



Series	Typical Model	Displ (cm³/rev)	Cooling Capacity (W)	Cooling Capacity (Btu/h)	Power(W)	ASH				Discharge Pipe ID (mm)	Suction Pipe ID (mm)	Remark		
						COP(W/W)	Capacitor (µF/V)	Compressor Height (mm)	test condition			refrigeration		
SN	ASN82V1UDZ	8.2	2045	6977	675	3.03	25/370	251	8.1	9.8	ASH	R410A	1φ-50Hz-220/240V	
	ASN86V1UDZ	8.6	2160	7370	725	2.98	25/370	251	8.1	9.8				
	ASN89V1UDZ	8.9	2260	7711	765	2.95	25/370	251	8.1	9.8				
M1	PA98M1C-4DZDE1	9.8	2340	7984	780	3.00	25/370	279	8.1	9.8				
	PA103M1C-4DZDE	10.3	2470	8428	820	3.01	25/370	279	8.1	9.8				
	PA108M1C-4DZDE2	10.8	2570	8769	860	2.98	25/370	279	8.1	9.8				
	PA118M1C-4FZ2	11.8	2780	9485	955	2.91	25/370	279	8.1	9.8				
	PA130G1C-4FT1	13.0	3155	10765	1070	2.95	35/370	298	8.1	9.8				
G1	PA140G1C-4FT1	13.9	3400	11601	1155	2.95	35/370	298	8.2	12.9				
	PA145G1C-4FT1	14.7	3585	12232	1240	2.89	35/370	298	8.1	12.9				
	PA150G1C-4FT	15.1	3700	12625	1275	2.90	35/370	298	8.1	12.9				
X2	PA150X2C-4FT	15.1	3660	12514	1260	2.90	35/370	299	8.1	12.9				
	PA160X2C-4FT	16.0	3910	13341	1350	2.90	35/400	299	8.1	12.9				
M2	PA170M2C-4ET2	17.1	4190	14295	1375	3.05	35/400	299	8.1	12.9				
	PA185M2C-4FT2	18.5	4495	15335	1500	3.00	35/400	299	8.1	12.9				
	PA200M2AS-4KU2	19.9	4975	16975	1670	2.98	45/400	340	8.1	12.9				
	PA215M2CS-4KT2	21.4	5285	18030	1760	3.00	50/370	340	8.1	12.9				
	PA225M2CS-4KU2	22.4	5500	18755	1835	3.00	50/370	340	8.1	12.9				
	PA240M2CS-4KU1	23.9	5840	19926	1980	2.95	50/370	340	8.1	12.9				
	PA250G2C-4FU1	25.1	6245	21352	2095	2.98	60/400	310	9.8	12.9				
G2	PA270G2C-4FT1	27.0	6665	22741	2220	3.00	60/400	310	9.8	12.9				
	PA290G2CS-4MU1	28.7	7270	24805	2420	3.00	50/400	344	9.8	16.2				
X3	PA331X3CS-4MU1	32.6	8190	27944	2715	3.02	55/400	382	9.8	16.2				
SM	ASM106V1VDZ	9.8	3080	10509	725	4.25	25/370	292	8.1	12.9				
	ASM135V1FT	13.3	3775	12880	910	4.27	35/370	292	8.1	12.9				
G1	PA145G1C-4FTL	14.7	4140	14125	1010	4.10	35/370	298	8.1	12.9				
M2	PA150M2A-4FTL	15.0	4300	14672	1025	4.20	35/370	299	8.1	12.9				
	PA165M2AS-4KUL	16.5	4750	16245	1110	4.28	35/370	340	8.1	12.9				
	PA190M2AS-4KTL1	19.1	5460	18630	1270	4.30	40/370	340	8.1	12.9				
	PA240M2CS-4KUL	23.9	6890	23509	1660	4.15	50/370	340	8.1	12.9				
SG	ASG240V1VMU	23.9	6950	23713	1605	4.33	50/400	310	9.8	16				
	PA250G2CS-4MUL	25.1	7315	24959	1690	4.32	50/400	344	9.8	16.2				
G2	PA270G2CS-4MUL	27.0	7865	26835	1815	4.33	60/400	344	9.8	16.2				
	PA280G2CS-4MUL	27.9	8135	27757	1880	4.33	60/400	344	9.8	16.2				
	PA290G2CS-4MUL	28.7	8485	28951	1965	4.32	60/400	344	9.8	16.2				
	PA311X3CS-4MUL	30.5	8880	30299	2090	4.25	55/400	382	9.8	16.2				
X3	PA331X3CS-4MUL	32.6	9510	32448	2225	4.27	55/400	382	9.8	16.2				

Series	Typical Model	Displ (cm³/rev)	Cooling Capacity (W)	Cooling Capacity (Btu/h)	Power(W)	ASH				Discharge Pipe ID (mm)	Suction Pipe ID (mm)	Remark		
						COP(W/W)	Capacitor (µF/V)	Compressor Height (mm)	test condition			refrigeration		
SN	ASN68N1UDZ	6.8	2050	6995	665	3.08	20/370	251	8.1	8.1	ASH	R410A	1φ-60Hz-208/230V	
	ASN82N1UDZ	8.2	2475	8445	825	3.00	25/370	251	8.1	8.1				
	ASN89N1UDZ	8.9	2725	9298	867	3.14	25/370	251	8.1	8.1				
M1	PA98M1C-3FZD	9.8	2900	9895	930	3.12	35/370	278	8.1	8.1				
SM	ASM106N1VDZ	10.6	3640	12420	850	4.28	40/370	292	8.1	8.1				
M1	PA118M1C-3FZU	11.8	3390	11567	1125	3.01	35/370	278	8.1	8.1				
	PA150G1C-3FTU1	15.1	4145	15166	1505	2.95	40/370	297	8.1	8.1				
M2	PA150M2AS-3KU	15.0	4405	15030	1445	3.05	45/370	325	9.8	9.8				
	PA155M2A-3ETL	15.5	4650	15866	1485	3.13	50/370	303	9.8	9.8				
	PA160M2A-3ET	16.0	4795	16361	1545	3.10	45/370	303	9.8	9.8				
	PA165M2C-3ETU	16.5	4820	16446	1625	2.97	40/370	303	9.8	9.8				
	PA170M2A-3FT1	17.1	5055	17248	1645	3.07	40/370	303	9.8	9.8				
	PA200M2CS-3MUU1	19.8	5800	19790	1940	2.99	50/370	344	9.8	9.8				
	PA210M2C-3ETU2	20.8	6160	21018	2035	3.03	50/370	322	9.8	9.8				
G2	PA226G2C-3MT	22.3	6740	22997	1285	3.08	60/400	310	9.8	9.8				
	PA241G2C-3MT	24.0	7200	24566	1225	3.10	60/400	310	9.8	9.8				
M2	PA250M2CS-3MUU1	25.0	7445	25402	2500	2.98	60/370	344	9.8	9.8				
X3	PA270X3CS-3MUU	26.9	8160	27842	2700	3.02	55/400	382	9.8	9.8				
	PA291X3CS-3MTU	28.8	8650	29514	2805	3.08	55/400	382	9.8	9.8				
SK	ASK49E1UZR	4.9	1450	4947	490	2.96	35/250	237	8.1	9.8				
	ASK50E1UZZ	5.0	1505	5100	510	2.95	35/250	237	8.1	9.8				
	ASK50E1UZZA	5.0	1505	5100	510	2.95	35/250	231	8.1	9.8				
SN	ASN68E1UZZ	6.8	2080	7097	686	3.03	45/250	229	8.1	9.8				
SM	ASM113E1UDZ	11.3	3340	11396	1085	3.08	60/250	292	8.1	9.8				
SK	ASK46E1VZR	4.6	1560	5320	397	3.93	35/250	237	8.1	9.8				
SN	ASN46E1VZJ	4.6	1550	5320	385	4.03	35/250	238	8.1	9.8				
	ASN54E1VZJ	5.4	1865	5100	455	4.10	35/250	238	8.1	9.8				
	ASN58E1VZJ	5.8	2005	6860	497	4.03	40/250	238	8.1	9.8				
	ASN71E1VBZ	7.1	2455	8376	595	4.13	45/250	247	8.1	9.8				
	ASN84E1VBZ	8.4	2910	9929	705	4.13	50/250	247	8.1	9.8				
	ASN86E1VBZ	8.6	2995	10219	725	4.13	50/250	247	8.1	9.8				
	ASN89E1VBZ	8.9	3100	10577	775	4.00	50/250	247	8.1	9.8				
SM	ASM106E2VEZ	10.6	3700	12624	860	4.30	70/250	292	8.1	12.9				
	ASM130E1VDT	13.0	4490	15320	1070	4.20	70/250	292	8.1	9.8				

Copper Tubes & Fittings
AC/R Spare Parts & Accessories
Compressors
Refrigerant & Chemicals
AC Installation
AC/R Service Tools & Equipment
Motors & Fans
AC Units
Auto AC Parts



COMPRESSOR STANDANRD PACKAGE

We have export and domestic package types, see the right pictures
20-foot container=20Boxes



Export Packing

Package Dimensions		1	2	3	4	5	6	7	8	9	10	11	12
Export	L(m)	1.144	1.144	1.144	1.144	1.144	1.144	1.144	1.144	1.144	1.144	1.144	1.144
	W(m)	1.108	1.108	1.108	1.108	1.108	1.108	1.108	1.108	1.108	1.108	1.108	1.108
	H(m)	0.99	0.99-1.05	0.78-0.86	0.78-0.86	0.96-1.01	0.83-0.86	0.75-0.84	0.8-1.0	0.80	0.76-0.97	0.87-1.03	0.83-0.93
Q'ty/Gr. Wt./Box	48-108 SK	120/1020-1140											
	48-108 SN	120/1140-1260											
	125-215 SM(φ 150)	80/690-1020											
	125-215 SM(φ 176)	60/780-1155											
	48-108G0C	120/995-1145											
	125-215 G1(φ 150)	80/840-1085											
	125-215 G1(φ 176)	60/730-830											
	79-180 X1(φ 150)	80/795-1055											
	108-180 X1(φ 176)	60/680-805											
	79-130 M1 (φ 150)	80/690-1020											
	108 M1C (φ 176)	60/740											
	130-210 S1 (φ 150)												
	130-340 X2/M2	60/780-1155											
	251-480 X3	48/950-1270											
	270-440 G2	48/850-1045											

Note: Gr. Wt.---- The range of Gross Weight is the weight when packing models, the above data could only be used as a reference; Unit:kg.

Data can be subject to change without notice.

Package Dimensions		1	2	4	5	Package Dimensions		1	2	4	5
Export	L(m)	1.144	1.144	1.144	1.144	Q'ty/Gr. Wt./Box	48-108SK	120/1020 ~1140			
	W(m)	1.108	1.108	1.108	1.108		48-108SN	120/1140 ~1260			
	H(m)	0.99	0.99-1.05	0.78-0.86	0.78-0.86		125-215 SM(φ 150)	80/690 ~1020			
						125-215 SM(φ 176)	60/780 ~1155				



COMPRESSOR ACCESSORIES

Accessories	Internal OLP Fixed-frequency Model	External OLP Fixed-frequency Model	AC /DC Inverter Model	
			Needing Thermal Sensor	No Thermal Sensor
Terminal Cover				
Terminal Packing				
Terminal Nut				
Terminal Nut Washer				
External OLP				
Rubber Cushion (3 Purchase)				

- Copper Tubes & Fittings
- AC/R Spare Parts & Accessories
- Compressors
- Refrigerant & Chemicals
- AC Installation
- AC/R Service Tools & Equipment
- Motors & Fans
- AC Units
- Auto AC Parts



Panasonic

Panasonic

ideas for life



R410A— Constant Speed 220V-240V 50Hz

Series	Model	Capacity		Input Power		COP	Test condition	Run capacitor	Shell Height	Accu Height	Accu Dia	Center-Axis Distance		Base Angle	Certification
		W	BTU/H	W	W/W							μ F/V	A		
R	5RS066EAA21	1525	5203	570	2.675	N-TEC	15/370	220	205	Φ32	90	R/120°	CCC		
	5RS080EAE21	1840	6278	665	2.767	N-TEC	20/370	220	265	Φ64	94	R/60°	VDE		
P	5PS102EAA22	2410	8223	835	2.886	N-TEC	30/370	249	265	Φ64	99	R/90°	CCC/VDE		
	5PS108EAA22	2515	8581	880	2.858	N-TEC	30/370	249	265	Φ64	99	R/90°	VDE		
	5PS132EAC22	3090	10543	1090	2.835	N-TEC	30/370	249	273	Φ75	107	R/90°	CCC/VDE		
K	5KS146EAA21	3480	11874	1235	2.818	N-TEC	35/370	268	271	Φ75	114	K/90°	TUV		
	5KS170EAB21	4100	13989	1390	2.950	N-TEC	40/370	268	307	Φ89	122	K/90°	TUV		
	5KS205EAB21	4875	16634	1685	2.893	N-TEC	50/370	288	327	Φ89	122	K/90°	VDE		
	5KS225EAA21	5400	18425	1920	2.813	N-TEC	50/400	288	327	Φ89	122	K/90°	VDE		
V	5VS245EAA21	6090	20779	2075	2.935	N-TEC	60/400	254	295	Φ89	127	V/70°	VDE		
	5VS270EAA21	6685	22809	2265	2.951	N-TEC	60/400	279	355	Φ89	127	V/70°	CCC/VDE		
	5VS280EZA21	6820	23270	2260	3.018	N-TEC	60/370	279	355	Φ89	127	V/70°	CCC		
	5VS295EZA21	7220	24635	2445	2.953	N-TEC	60/370	307	383	Φ89	127	V/40°	CCC		

R410A — Constant Speed 220V 60Hz

Series	Model	Capacity		Input Power		COP	Test condition	Run capacitor	Shell Height	Accu Height	Accu Dia	Center-Axis Distance		Base Angle	Certification
		W	BTU/H	W	W/W							μ F/V	A		
R	5RS066HAA21	1875	6398	660	2.841	N-TEC	15/370	220	226	Φ55	89	R/60°	---		
	5RS072HAA21	2050	6995	720	2.847	N-TEC	15/370	220	268	Φ55	90	R/30°	---		
	5RS080HAA21	2250	7677	785	2.866	N-TEC	15/370	220	268	Φ55	89	R/60°	---		
	5RS092HAA21	2605	8888	920	2.832	N-TEC	20/370	220	268	Φ55	89	R/60°	---		
P	5PS102HAA21	2950	10065	1030	2.864	N-TEC	30/370	241	265	Φ75	107	K/90°	---		
	5PS108HAA21	3140	10714	1085	2.894	N-TEC	30/370	249	273	Φ75	107	R/60°	---		
	5PS112HAA21	3225	11004	1115	2.892	N-TEC	30/330	241	265	Φ75	107	K/60°	---		
	5PS126HAA21	3665	12505	1265	2.897	N-TEC	35/330	249	273	Φ75	107	R/90°	---		
	5PS136HAA21	3950	13477	1375	2.873	N-TEC	40/330	241	265	Φ75	107	K/90°	---		
K	5KS162HAA21	4790	16343	1635	2.930	N-TEC	40/370	268	271	Φ75	114	K/90°	---		
	5KS196HAA21	5815	19841	1980	2.937	N-TEC	35/370	268	307	Φ89	122	K/90°	---		
V	5VS245HAA21	7600	25931	2550	2.980	N-TEC	50/370	282	323	Φ89	127	K/90°	---		
	5VS270HAA21	8370	28558	2835	2.952	N-TEC	50/370	307	383	Φ89	127	K/90°	---		
	5VS295HAA21	8950	30537	3035	2.949	N-TEC	0.138	307	383	Φ89	127	K/90°	---		



R410A DC INVERTER Terres Rares

Series	Model	Capacity		Input Power		COP	Test condition	Shell Height	Accu Height	Accu Dia	Center-Axis Distance	Base Angle	Certification
		W	BTU/H	W	W/W			A	B	C	D	θ	
S	5SS072XAA	1805	6159	675	2.674	JIS	213	258	Φ64	89	S/T/80°	---	
	5SS072XDA21	1780	6073	665	2.677	JIS	213	258	Φ64	89	S/T/80°	---	
	5SS072XEA21	1780	6073	680	2.618	JIS	213	258	Φ64	89	S/T/80°	---	
R	5RS102ZDA21	2600	8871	1010	2.574	JIS	229	273	Φ64	94	R/90°	CCC	
	5RS102XGA21	2585	8820	955	2.707	JIS	259	303	Φ75	103	R/75°	---	
	5RS102XMA21	2585	8820	950	2.721	JIS	259	303	Φ75	103	R/75°	---	
	5RS132ZAD21	3385	11550	1250	2.708	JIS	259	308	Φ75	103	R/75°	TUV/CCC	
	5RD132XAA21	3370	11498	1235	2.729	JIS	290	373	Φ75	103	R/75°	---	
	5RD132ZCA21	3365	11481	1260	2.671	JIS	259	373	Φ75	103	R/45°	CCC	
K	5KD184XAC21	5440	18561	1805	3.014	ARI	295	347	Φ75	114	K/90°	---	
	5KD240XCA21	7280	24839	2405	3.027	ARI	295	347	Φ75	114	K/90°	---	
V	5VD420ZAA21	13200	45038	4220	3.128	ARI	352	384	Φ75	119	K/60°	TUV/CCC	

R410A DC INVERTER Ferrite

Series	Model	Capacity		Input Power		COP	Test condition	Shell Height	Accu Height	Accu Dia	Center-Axis Distance	Base Angle	Certification
		W	BTU/H	W	W/W			A	B	C	D	θ	
S	5SS072XGA21	1800	6142	690	2.609	JIS	213	235	Φ54	82	S/T/80°	---	
R	5RS080XBB	1995	6807	760	2.625	JIS	229	273	Φ75	103	R/75°	---	
	5RS092ZAD21	2280	7779	890	2.562	JIS	229	303	Φ75	103	R/90°	TUV/CCC	
	5RS092ZJB21	2310	7882	915	2.525	JIS	220	244	Φ64	94	R/90°	TUV/CCC	
	5RS092ZLA21	2280	7779	885	2.576	JIS	220	244	Φ64	94	R/30°	TUV/CCC	
	5RS102ZBC21	2615	8922	1010	2.589	JIS	229	303	Φ75	103	R/90°	TUV/CCC	

R22 DC INVERTER

Series	Model	Capacity		Input Power		COP	Test condition	Shell Height	Accu Height	Accu Dia	Center-Axis Distance	Base Angle	Certification
		W	BTU/H	W	W/W			A	B	C	D	θ	
R	2RV102X7AA06	1870	6381	645	2.899	JIS	220	268	Φ55	89	R/75°	CCC	
	2RV132X7CA06	2740	9349	860	3.186	N-TEC	229	308	Φ75	103	R/90°	CCC	

R134a DC INVERTER

Series	Model	Capacity		Input Power		COP	Test condition	Shell Height	Accu Height	Accu Dia	Center-Axis Distance	Base Angle	Certification
		W	BTU/H	W	W/W			A	B	C	D	θ	
T	6TD075XAA41	995	3395	365	2.726	N-TEC	170	118	Φ19	68	---	---	



R22 — Constant speed 220V-240V 50Hz

Series	Model	Capacity		Input Power		COP	Test condition	Run capacitor μ F/V	Shell Height A	Accu Height			Center-Axis D	Base Angle θ	Certification
		W	BTU/H	W	W/W					B	C	D			
P	2P14S225CZA	2840	9690	575	4.939	N-TEC	30/370	249	273	Φ75	107	R/90°	CCC/TUV		
	2P15S225CZB	3175	10833	630	5.040	N-TEC	30/370	241	265	Φ75	107	K/90°	CCC/TUV		
	2P16S225CZA	3355	11447	680	4.934	N-TEC	30/370	241	265	Φ75	107	K/90°	CCC/TUV		
	2P17S225BUC	2780	9485	880	3.159	N-TEC	30/370	249	273	Φ75	107	R/60°	CCC/TUV		
	2P16T225AZA	2660	9076	880	3.023	N-TEC	30/370	249	273	Φ75	107	K/90°	CCC		
K	2K21S225CZA	3595	12266	1140	3.154	N-TEC	35/370	268	271	Φ75	114	K/90°	CCC/TUV		
	2K22S225FZA	3840	13102	1215	3.160	N-TEC	35/400	268	276	Φ75	114	K/90°	CCC		
	2K28C225DUB	4660	15900	1550	3.006	N-TEC	45/370	275	314	Φ75	114	K/90°	CCC		
	2K31S225AUB	5180	17674	1680	3.083	N-TEC	50/400	310	331	Φ89	122	K/40°	CCC/TUV		
	2K32S225AUD	5310	18118	1725	3.078	N-TEC	50/400	290	310	Φ80	116	K/30°	CCC/TUV		
V	2V5294L5AA04	5095	17384	1565	3.256	N-TEC	50/400	302	330	Φ75	127	K/60°			
	2V31S225AZA	5230	17845	1640	3.189	N-TEC	55/370	249	297	Φ75	119	V/70°	CCC		
	2V32S225BUB	5410	18459	1695	3.192	N-TEC	60/370	249	297	Φ75	119	V/70°	CCC/TUV		
	2V34S225BUA	5810	19824	1815	3.201	N-TEC	60/400	274	302	Φ75	119	V/70°	CCC/TUV		
	2V36S225BUA	6140	20950	1980	3.101	N-TEC	50/400	249	327	Φ75	119	V/70°	CCC/TUV		
	2V38S225AUB	6615	22570	2070	3.196	N-TEC	60/370	274	355	Φ89	127	V/70°	CCC/TUV		
	2V40S225AUA	6895	23526	2150	3.207	N-TEC	60/400	274	355	Φ89	127	V/70°	CCC/TUV		
	2V43W225BZA	7435	25368	2270	3.275	N-TEC	55/400	304	358	Φ89	127	V/70°	CCC		
	2V44W225CZA	7610	25965	2415	3.151	N-TEC	60/370	299	358	Φ89	127	V/70°	CCC		
	2V47W225AUF	8355	28507	2680	3.118	N-TEC	60/400	299	358	Φ89	127	V/70°	CCC/TUV		
2V49W225AUA	8675	29599	2795	3.104	N-TEC	60/400	299	358	Φ89	127	V/70°	CCC			

R22 — Constant speed 230V 60Hz

Series	Model	Capacity		Input Power		COP	Test condition	Run capacitor μ F/V	Shell Height A	Accu Height			Center-Axis D	Base Angle θ	Certification
		W	BTU/H	W	W/W					B	C	D			
V	2V34S236AUA	7270	24805	2315	3.140	N-TEC	50/370	277	325	Φ75	119	K/90°	UL/CSA		
	2V36S236AUA	7615	25982	2455	3.102	N-TEC	50/370	277	325	Φ75	119	K/90°	UL/CSA		

R22 — Constant speed 380V 50Hz

Series	Model	Capacity		Input Power		COP	Test condition	Run capacitor μ F/V	Shell Height A	Accu Height			Center-Axis D	Base Angle θ	Certification
		W	BTU/H	W	W/W					B	C	D			
	2V42S385AUA	7395	25232	2450	3.018	N-TEC	--	302	312	--	123	K/90°	CCC		
	2V44W385AUA	7670	26170	2405	3.189	N-TEC	--	347	406	Φ89	127	K/40°	CCC		
	2V47W385AUA	8235	28098	2555	3.223	N-TEC	--	304	358	Φ89	127	V/70°	CCC		
	2V49W385AUA	8495	28985	2635	3.224	N-TEC	--	332	386	Φ89	127	K/90°	CCC		



R410A — Constant Speed 115V 60Hz

Series	Model	Capacity		Input Power		COP	Test condition	Run capacitor	Shell Height	Accu Height	Accu Dia	Center-Axis	Base Angle	Certification
		W	BTU/H	W	W/W			μ F/V	A	B	C	D	θ	
R	5RS058UAA21	1640	5592	590	2.780	N-TEC	35/250	220	205	Φ32	90	R/90°	cULus	
	5RS066UAA21	1890	6449	665	2.842	N-TEC	35/250	220	205	Φ32	90	R/90°	cULus	
	5RS072UBA21	2055	7012	730	2.815	N-TEC	35/250	220	205	Φ32	90	R/30°	cULus	
	5RS080UAA21	2250	7677	790	2.848	N-TEC	35/250	220	205	Φ32	90	R/90°	cULus	
P	5PS118UBA21	3450	11771	1190	2.899	N-TEC	50/250	241	265	Φ75	107	K/90°	cULus	

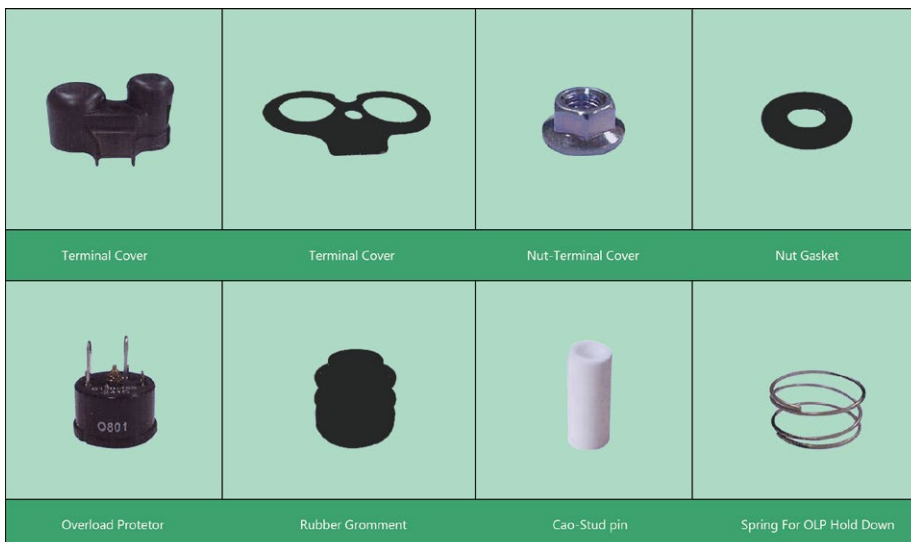
R410A — Constant Speed 230V 60Hz

Series	Model	Capacity		Input Power		COP	Test condition	Run capacitor	Shell Height	Accu Height	Accu Dia	Center-Axis	Base Angle	Certification
		W	BTU/H	W	W/W			μ F/V	A	B	C	D	θ	
R	5RS058FAA21	1630	5562	590	2.763	N-TEC	15/370	220	273	Φ75	103	R/90°	cULus	
	5RS062FAA21	1745	5954	630	2.770	N-TEC	15/370	220	273	Φ75	103	R/90°	cULus	
	5RS080FBA21	2265	7728	790	2.867	N-TEC	15/370	220	268	Φ55	89	R/90°	cULus	
P	5PS112FBA21	3240	11055	1110	2.919	N-TEC	30/370	241	265	Φ75	107	K/90°	cULus	
	5PS118FBA21	3430	11703	1180	2.907	N-TEC	30/330	241	265	Φ75	107	K/90°	cULus	
	5PS136FBA21	3965	13529	1380	2.870	N-TEC	40/330	241	265	Φ75	107	K/90°	cULus	
	5PS146FAA21	4325	14757	1480	2.922	N-TEC	40/370	241	265	Φ75	107	K/90°	cULus	
K	5KS170FBB21	5120	17469	1710	2.994	N-TEC	40/370	268	306	Φ75	114	K/90°	cULus	

R410A — Constant Speed 265V 60Hz

Series	Model	Capacity		Input Power		COP	Test condition	Run capacitor	Shell Height	Accu Height	Accu Dia	Center-Axis	Base Angle	Certification
		W	BTU/H	W	W/W			μ F/V	A	B	C	D	θ	
R	5RS058LAA21	1610	5493	595	2.706	N-TEC	15/400	220	273	Φ75	103	R/90°	cULus	
	5RS062LAA21	1750	5971	630	2.778	N-TEC	15/400	220	273	Φ75	103	R/90°	cULus	
	5RS072LAA21	2070	7063	735	2.816	N-TEC	15/400	220	273	Φ75	103	R/90°	cULus	
P	5PS108LBA21	3150	10748	1090	2.890	N-TEC	25/370	241	265	Φ75	107	K/90°	cULus	
	5PS136LBA21	3955	13494	1385	2.856	N-TEC	25/400	241	265	Φ75	107	K/90°	cULus	
	5PS146LAA21	4275	14586	1470	2.908	N-TEC	25/400	241	265	Φ75	107	K/90°	cULus	
K	5KS170LAA21	5040	17196	1750	2.880	N-TEC	35/370	268	306	Φ75	114	K/90°	cULus	

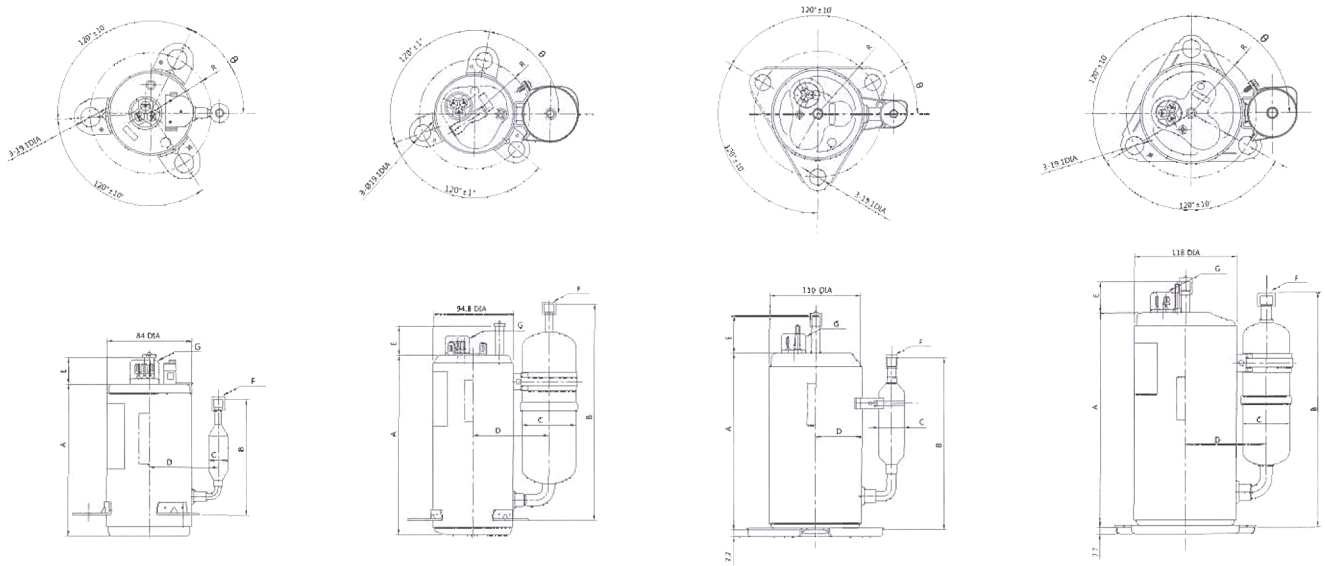
STANDARD ACCESSORIES OF COMPRESSOR



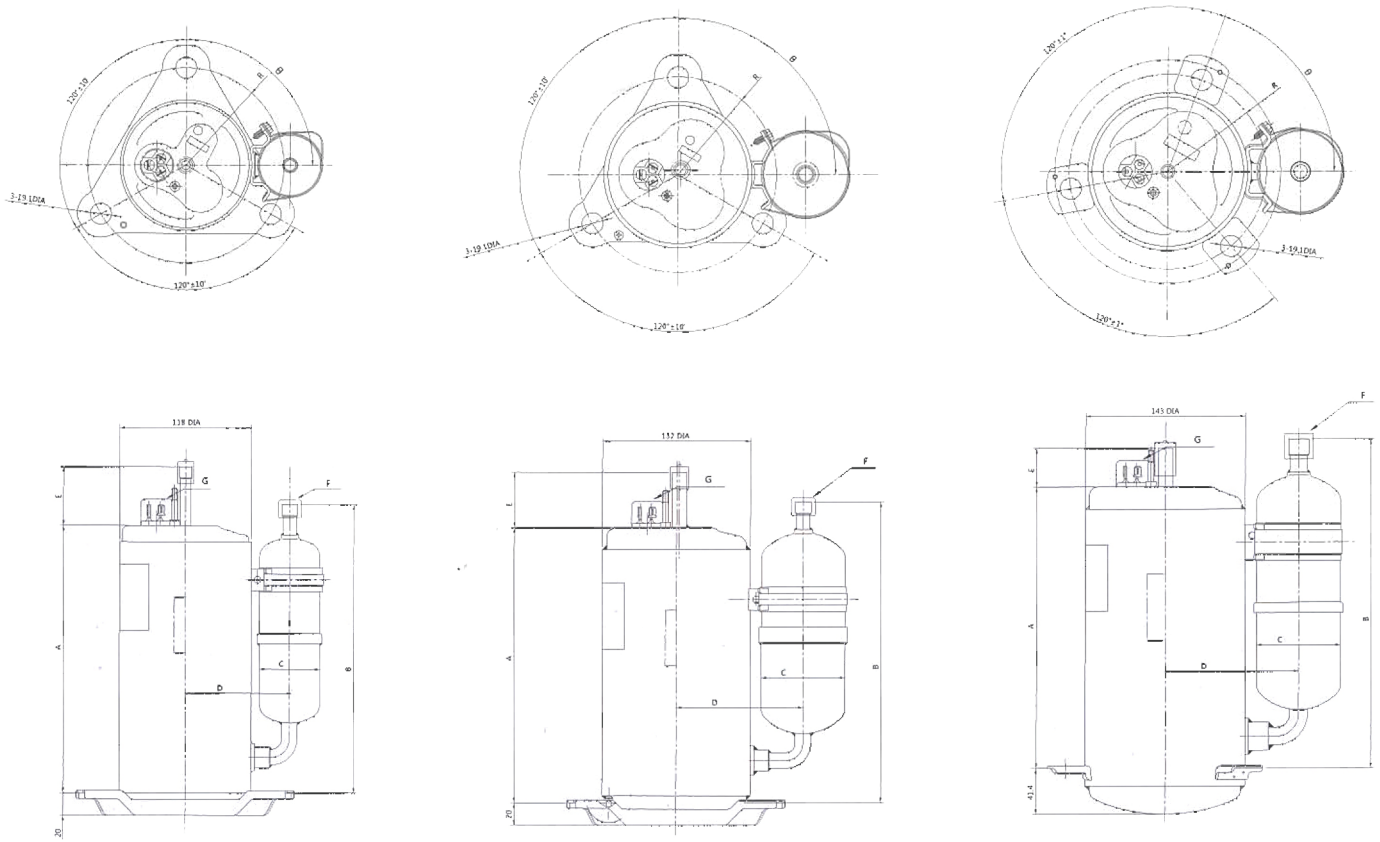


OUTLINE DIMENSION SKETCH (chassis, dimension, base angle)

Compressors



T series S/T base contour & dimension S series S/T base contour & dimension R series R base contour & dimension P series R base contour & dimension



P series K base contour & dimension K series K base contour & dimension V series V base contour & dimension

Center Distance for R Base: 75 Center Distance for K&V Base: 88 Center Distance for S&T Base: 120



MITSUBISHI



Copper Tubes & Fittings

AC/R Spare Parts & Accessories

Compressors

Refrigerant & Chemicals

AC Installation

AC/R Service Tools & Equipment

Motors & Fans

AC Units

Auto AC Parts

MITSUBISHI

TYPE DESIGNATION



① Model Series (S/K/R/T/L)

② Application

H- High Temperature (R22)

E- High Temperature (R407C)

N- High Temperature (R410A)

B- Middle/High Temperature (R134a)

③ Special Specifications

B-DC Inv Compressor

V-AC Inv Compressor

T-T3 Compressor

④ Displacement (cm³)

Examples: ≤30cc 130 means 13.0cm³

>30cc 36 means 36.0 cm³

⑤ Power

R- single phase	100/100-110V	50/60Hz
W- single phase	115-120V	60Hz
S- single phase	200/200-200V	50/60Hz
N- single phase	200/208-230V	60Hz
V- single phase	220-240V	50Hz
G- single phase	200/200-230V	50/60Hz
Y- three phase	380-415/400 (-460) V	50/60Hz
F-		Variable

⑥ It is used as marks according to different customers' special demands.

⑦ Original Place

C-CHINA

T-THAILAND



220V-240V 50Hz

系列 Series	机种 Model	汽缸数量 No. of Rotary	排量Displ. cm ³ /rev	制冷量Capacity		功率Power W	能效比COP W/W	电容Capacitor μF/V	外形尺寸 Dimensions(mm)					
				W	Btu/h				A	B	C	D	E	F
K	KS122V	Single Rotary	12.2	2110	7199	675	3.13	17/400	249.6	245.5	93.0	64.9	9.6	8.0
	KS134V	Single Rotary	13.4	2310	7882	740	3.12	17/400	249.6	245.5	93.0	60.5	12.0	8.0
	KS145V	Single Rotary	14.5	2530	8632	800	3.16	25/400	249.6	245.5	93.0	60.5	12.0	8.0
	KS154V	Single Rotary	15.4	2630	8974	840	3.13	25/400	249.6	245.5	93.0	60.5	12.0	8.0
	KS165V	Single Rotary	16.5	2830	9656	910	3.11	25/400	249.6	245.5	93.0	60.5	12.0	8.0
	KS173V	Single Rotary	17.3	2960	10100	975	3.04	25/400	249.6	245.5	93.0	60.5	12.0	8.0
R	RS186VRDC	Single Rotary	18.6	3260	11123	990	3.29	30/360	256.2	258.0	110.5	78.0	12.7	8.0
	RS199VRDC	Single Rotary	19.9	3470	11840	1050	3.30	30/400	256.2	258.0	110.5	78.0	12.7	8.0
	RS208VRDC	Single Rotary	20.8	3630	12386	1100	3.30	30/400	256.2	258.0	110.5	78.0	12.7	8.0
	RS211VRDC	Single Rotary	21.1	3660	12488	1110	3.30	30/400	256.2	258.0	110.5	78.0	12.7	8.0
	RS218VRDC	Single Rotary	21.8	3820	13034	1160	3.29	30/400	256.2	258.0	110.5	78.0	12.7	8.0
	RS222VRDC	Single Rotary	22.2	3890	13273	1180	3.30	30/400	256.2	258.0	110.5	78.0	12.7	8.0
	RS233VRDC	Single Rotary	23.3	4070	13887	1240	3.28	30/400	256.2	258.0	110.5	78.0	12.7	8.0

220V-240V 50Hz

系列 Series	机种 Model	汽缸数量 No. of Rotary	排量Displ. cm ³ /rev	制冷量Capacity		功率Power W	能效比COP W/W	电容Capacitor μF/V	外形尺寸 Dimensions(mm)					
				W	Btu/h				A	B	C	D	E	F
R	RS287V	Single Rotary	28.7	5060	17217	1540	3.29	50/360	279.7	289.6	110.5	78.0	16.0	8.0
	RS295V	Single Rotary	29.5	5160	17606	1560	3.31	50/360	279.7	289.6	110.5	78.0	16.0	8.0
	RS305V	Single Rotary	30.5	5367	18312	1634	3.29	50/360	279.7	289.6	110.5	78.0	16.0	8.0
T	TS31V	Twin Rotary	31.0	5300	18084	1650	3.21	50/400	304.8	320.3	110.5	78.0	16.0	8.0
	TS32V	Twin Rotary	32.0	5460	18630	1690	3.23	50/400	304.8	320.3	110.5	78.0	16.0	8.0
	TS33V	Twin Rotary	33.8	5780	19710	1800	3.21	50/400	304.8	320.3	110.5	78.0	16.0	8.0
	TS35V	Twin Rotary	35.5	6090	20779	1920	3.17	50/400	304.8	320.3	110.5	78.0	16.0	8.0
	TS36V	Twin Rotary	36.5	6240	21291	1970	3.17	50/400	304.8	320.3	110.5	78.0	16.0	8.0
	L	LH42V	Twin Rotary	42.8	7500	25590	2350	3.19	60/400	341.8	392.9	130.0	93.0	16.0
LH45V		Twin Rotary	45.7	8000	27296	2500	3.20	60/400	341.8	392.9	130.0	93.0	16.0	9.6
LH48V		Twin Rotary	47.5	8370	28558	2610	3.21	60/420	341.8	392.9	130.0	93.0	16.0	9.6
LH53V		Twin Rotary	53.7	9400	32073	2970	3.16	60/430	341.8	392.9	130.0	93.0	19.1	9.6

380V 50Hz

系列 Series	机种 Model	汽缸数量 No. of Rotary	排量Displ. cm ³ /rev	制冷量Capacity		功率Power W	能效比COP W/W	电容Capacitor μF/V	外形尺寸 Dimensions(mm)					
				W	Btu/h				A	B	C	D	E	F
L	LH42Y	Twin Rotary	42.8	7440	25385	2340	3.18	—	341.8	392.9	120.0	78.0	16.0	9.6
	LH45Y	Twin Rotary	45.7	8020	27364	2470	3.25	—	341.8	392.9	120.0	78.0	16.0	9.6
	LH48Y	Twin Rotary	48.5	8500	29002	2600	3.27	—	341.8	392.9	120.0	78.0	16.0	9.6
	LH53Y	Twin Rotary	53.7	9350	31902	2930	3.19	—	341.8	392.9	120.0	78.0	19.1	9.6

208V-230V 60Hz

系列 Series	机种 Model	汽缸数量 No. of Rotary	排量Displ. cm ³ /rev	制冷量Capacity		功率Power W	能效比COP W/W	电容Capacitor μF-V	外形尺寸 Dimensions(mm)					
				W	Btu/h				A	B	C	D	E	F
K	KS098N	Single Rotary	9.8	2095	7148	670	3.13	25/350	245.1	243.5	93.0	64.9	9.6	8.0
	KS173N	Single Rotary	17.3	3620	12351	1185	3.05	40/350	238.4	234.3	93.0	64.9	9.6	8.0
R	RS186N	Single Rotary	18.6	3890	13273	1160	3.35	30/350	256.2	258.0	110.5	78.0	12.7	8.0
T	TS33N	Twin Rotary	33.8	7140	24362	2230	3.20	50/400	304.8	320.3	110.5	78.0	16.0	8.0
	TS35N	Twin Rotary	35.5	7450	25405	2360	3.16	50/400	304.8	320.3	110.5	78.0	16.0	8.0

T3热带机 50Hz

系列 Series	机种 Model	汽缸数量 No. of Rotary	排量Displ. cm ³ /rev	制冷量Capacity		功率Power W	能效比COP W/W	电容Capacitor μF/V	外形尺寸 Dimensions(mm)					
				W	Btu/h				A	B	C	D	E	F
T	TST31V	Twin Rotary	31.0	5370	18322	1680	3.20	50/400	304.8	320.3	110.5	78.0	16.0	8.0
	TST33V	Twin Rotary	33.8	5820	19858	1840	3.16	50/400	304.8	320.3	110.5	78.0	16.0	8.0
	LHT42V	Twin Rotary	42.8	7600	25931	2390	3.18	60/420	341.8	392.9	120.0	78.0	16.0	9.6
L	LHT48V	Twin Rotary	48.5	8610	29377	2710	3.18	60/420	341.8	392.9	120.0	78.0	16.0	9.6
	LHT53V	Twin Rotary	53.7	9440	32209	3050	3.10	60/420	341.8	392.9	120.0	78.0	19.1	9.6

T3热带机 60Hz

系列 Series	机种 Model	汽缸数量 No. of Rotary	排量Displ. cm ³ /rev	制冷量Capacity		功率Power W	能效比COP W/W	电容Capacitor μF/V	外形尺寸 Dimensions(mm)					
				W	Btu/h				A	B	C	D	E	F
R	RST287N	Single Rotary	28.7	6110	20835	1971	3.10	40/370	279.7	289.6	110.5	78.0	16.0	8.0
T	TST33N	Twin Rotary	33.8	7220	24635	2300	3.14	50/400	304.8	320.3	110.5	78.0	16.0	8.0
	TST36N	Twin Rotary	36.5	7620	25984	2510	3.04	50/400	304.8	320.3	110.5	78.0	16.0	8.0
L	LHT42N	Twin Rotary	42.8	9020	30776	2830	3.19	45/420	341.8	392.9	120.0	78.0	16.0	9.6
	LHT48N	Twin Rotary	48.5	10220	34871	3250	3.14	55/420	341.8	392.9	120.0	78.0	16.0	9.6
	LHT53N	Twin Rotary	53.7	11256	38407	3660	3.07	65/420	341.8	392.9	120.0	78.0	19.1	9.6



220V-240V 50Hz

系列 Series	机种 Model	汽缸数量 No. of Rotary	排量Displ.	制冷量Capacity		功率Power	能效比COP	电容Capacitor	外形尺寸 Dimensions(mm)					
			cm ³ /rev	W	Btu/h	W	W/W	μF/V	A	B	C	D	E	F
K	KN083V	Single Rotary	8.3	2010	6824	695	2.89	25/380	223.4	221.8	93.0	64.9	9.6	8.0
	KN092V	Single Rotary	9.2	2260	7711	795	2.84	25/400	223.4	221.8	93.0	64.9	9.6	8.0
	KN104V	Single Rotary	10.4	2520	8598	880	2.86	25/400	223.4	221.8	93.0	64.9	9.6	8.0
	KN108V	Single Rotary	10.8	2640	9008	885	2.98	25/400	223.4	221.8	93.0	64.9	9.6	8.0
	KN117V	Single Rotary	11.7	2910	9929	995	2.92	25/400	223.4	221.8	93.0	64.9	9.6	8.0
	KN122V	Single Rotary	12.2	3070	10475	1060	2.90	25/400	223.4	221.8	93.0	64.9	9.6	8.0
	RN110V	Single Rotary	11.0	2730	9315	920	2.97	30/400	243.9	240.8	101.0	64.5	9.6	9.6
	RN125V	Single Rotary	12.5	3100	10577	1030	3.01	30/400	243.9	240.8	101.0	64.5	9.6	9.6
	RN130V	Single Rotary	13.0	3200	10918	1080	2.96	30/400	257.5	260.5	110.5	78.0	12.7	9.6
	RN135V	Single Rotary	13.5	3340	11396	1120	2.98	30/400	257.5	260.5	110.5	78.0	12.7	9.6
R	RN140V	Single Rotary	14.0	3480	11874	1170	2.97	30/400	257.5	260.5	110.5	78.0	12.7	9.6
	RN145V	Single Rotary	14.5	3610	12317	1210	2.98	30/400	257.5	260.5	110.5	78.0	12.7	9.6
	RN154V	Single Rotary	15.4	3850	13136	1290	2.98	30/400	257.5	260.5	110.5	78.0	12.7	9.6
	RN165V	Single Rotary	16.5	4070	13887	1390	2.93	30/400	257.5	260.5	110.5	78.0	12.7	9.6
	RN196V	Single Rotary	19.6	4800	16378	1680	2.86	40/400	257.5	260.5	110.5	78.0	12.7	9.6
	RN211V	Single Rotary	21.1	5230	17845	1730	3.02	50/400	264.8	260.5	110.5	78.0	12.7	9.6
	RN222V	Single Rotary	22.2	5470	18664	1810	3.02	50/400	264.8	260.5	110.5	78.0	12.7	9.6
	T	TN220V	Twin Rotary	22.0	5380	18357	1840	2.92	50/400	306.1	273.0	110.5	78.0	16.0

208V-230V 60Hz

系列 Series	机种 Model	汽缸数量 No. of Rotary	排量Displ.	制冷量Capacity		功率Power	能效比COP	电容Capacitor	外形尺寸 Dimensions(mm)					
			cm ³ /rev	W	Btu/h	W	W/W	μF-V	A	B	C	D	E	F
K	KN065N	Single Rotary	6.5	1885	6432	655	2.88	25/350	244.1	242.5	116.0	64.9	9.6	8.0
	KN073N	Single Rotary	7.3	2180	7438	740	2.95	25/350	244.1	242.5	116.0	64.9	9.6	8.0

115V-120V 60Hz

系列 Series	机种 Model	汽缸数量 No. of Rotary	排量Displ.	制冷量Capacity		功率Power	能效比COP	电容Capacitor	外形尺寸 Dimensions(mm)					
			cm ³ /rev	W	Btu/h	W	W/W	μF/V	A	B	C	D	E	F
K	KN065W	Single Rotary	6.5	1880	6415	635	2.96	70/200	244.1	242.5	116.0	64.9	9.6	8.0
	KN073W	Single Rotary	7.3	2170	7404	725	2.99	70/200	244.1	242.5	116.0	64.9	9.6	8.0
	KN083W	Single Rotary	8.3	2510	8564	840	2.99	70/200	244.1	242.5	152.0	64.9	9.6	8.0
	KN092W	Single Rotary	9.2	2755	9400	950	2.90	70/220	244.1	242.5	152.0	64.9	9.6	8.0
	KN104W	Single Rotary	10.4	3180	10850	1070	2.97	70/220	244.1	242.5	152.0	64.9	12.0	8.0
	KN111W	Single Rotary	11.1	3340	11396	1190	2.81	75/240	244.1	242.5	152.0	64.9	12.0	8.0
	RN125W	Single Rotary	12.5	3810	13000	1310	2.91	100/220	241.3	240.8	101.0	64.5	9.6	9.6
	RN135W	Single Rotary	13.5	4010	13682	1430	2.80	100/220	264.8	260.5	110.5	78.0	12.7	9.6
	RN140W	Single Rotary	14.0	4250	14501	1490	2.85	100/220	264.8	260.5	110.5	78.0	12.7	9.6
	RN145W	Single Rotary	14.5	4410	15047	1560	2.83	100/220	264.8	260.5	110.5	78.0	12.7	9.6

220V-240V 50Hz

系列 Series	机种 Model	汽缸数量 No. of Rotary	排量Displ.	制冷量Capacity		功率Power	能效比COP	电容Capacitor	外形尺寸 Dimensions(mm)					
			cm ³ /rev	W	Btu/h	W	W/W	μF/V	A	B	C	D	E	F
R	RE135V	Single Rotary	13.5	2270	7745	750	3.03	25/370	211.3	240.8	101.0	65.1	9.6	8.0
	RE165V	Single Rotary	16.5	2770	9451	900	3.08	25/370	211.3	240.8	101.0	65.1	9.6	8.0
	RE174V	Single Rotary	17.3	2920	9963	950	3.07	25/370	211.3	240.8	101.0	65.1	9.6	8.0
	RE220V	Single Rotary	22.0	3800	12966	1230	3.09	30/400	246.2	260.5	110.5	74.0	74.0	12.7
	RE231V	Single Rotary	23.1	3940	13443	1290	3.05	30/400	246.2	260.5	110.5	74.0	74.0	12.7
T	TE310V	Twin Rotary	31.0	5230	17845	1700	3.08	50/400	304.8	279.8	110.5	78.0	16.0	8.0
	TE338V	Twin Rotary	33.8	5720	19517	1850	3.09	50/400	304.8	279.8	110.5	78.0	16.0	8.0
L	TE365V	Twin Rotary	36.5	6177	21076	1998	3.09	50/400	304.8	279.8	110.5	78.0	16.0	8.0
	LE48V	Twin Rotary	48.5	8410	28696	2630	3.20	60/420	341.8	392.9	120.0	78.0	16.0	9.6

T3热带机 50Hz

系列 Series	机种 Model	汽缸数量 No. of Rotary	排量Displ.	制冷量Capacity		功率Power	能效比COP	电容Capacitor	外形尺寸 Dimensions(mm)					
			cm ³ /rev	W	Btu/h	W	W/W	μF/V	A	B	C	D	E	F
T	TET33V	Twin Rotary	33.8	5660	19300	1790	3.16	-50/400	304.8	320.3	110.5	78.0	16.0	8.0
L	LET42V	Twin Rotary	42.8	7400	25234	2360	3.14	60/420	341.8	392.9	130.0	93.0	16.0	9.6
	LET48V	Twin Rotary	48.5	8400	28644	2670	3.15	60/420	341.8	392.9	130.0	93.0	16.0	9.6

Copper Tubes & Fittings
AC/R Spare Parts & Accessories
Compressors
Refrigerant & Chemicals
AC Installation
AC/R Service Tools & Equipment
Motors & Fans
AC Units
Auto AC Parts

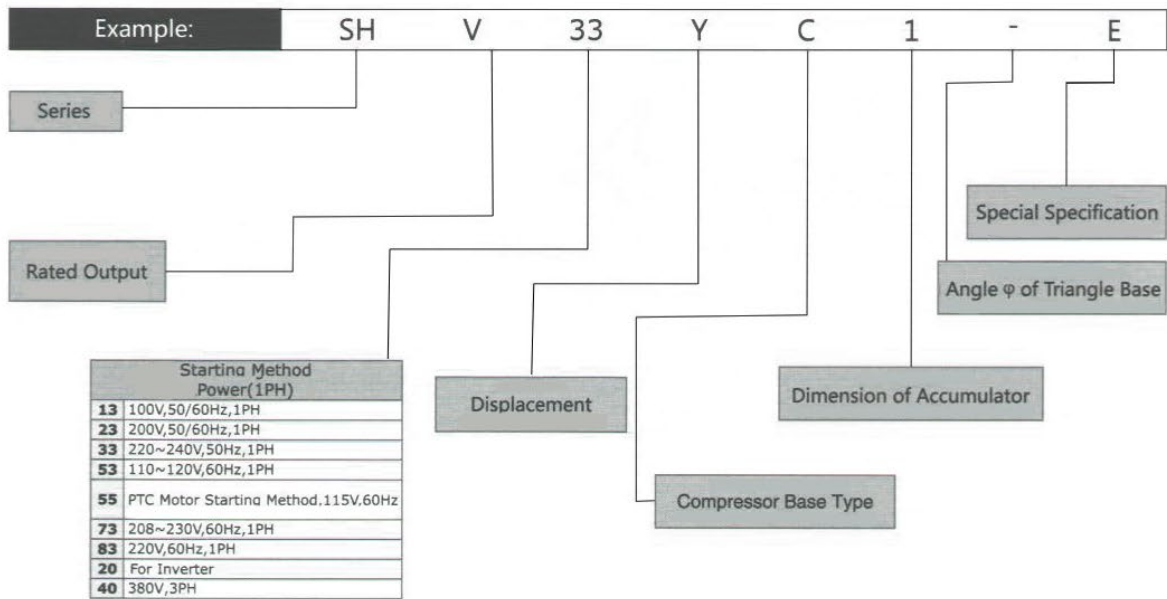


海立 HIGHLY

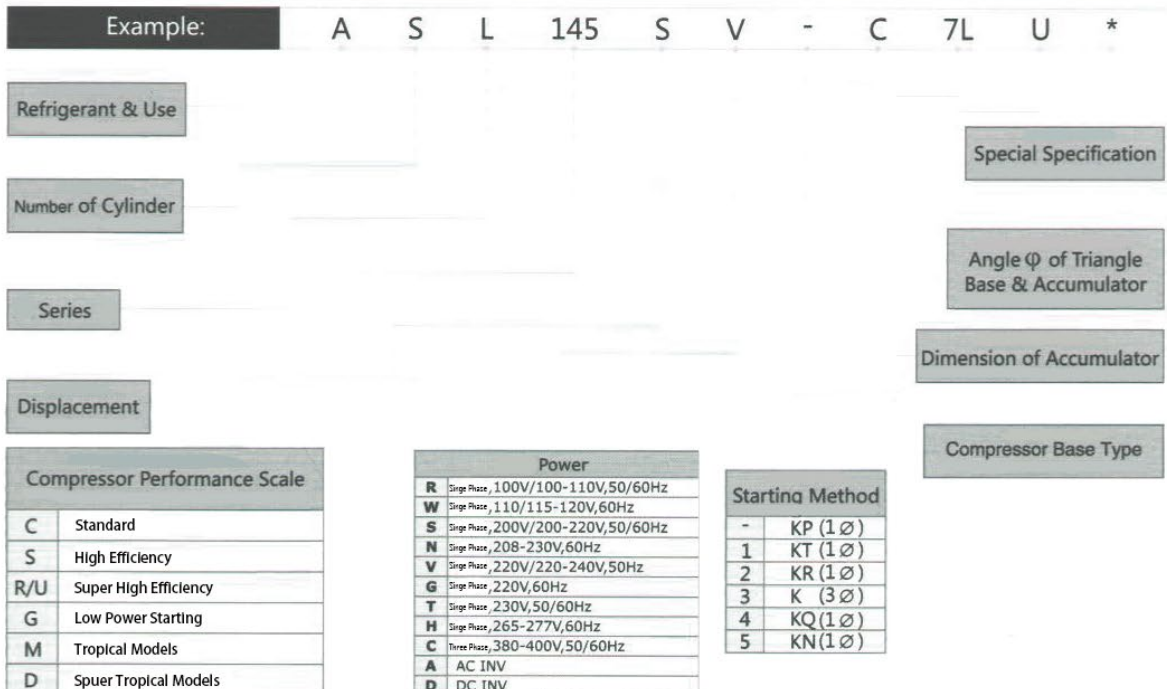


HIGHLY

A/Model code identification A



B/Model code identification B



Compressors



Series	Model	Displacement (cc/rev)	Cooling Capacity (W)	Cooling Capacity (Btu/h)	COP (W/W)	Rpm	Height (mm)	Test Mode
--------	-------	-----------------------	----------------------	--------------------------	-----------	-----	-------------	-----------

R410A Inverter R410A

DC Inverter

A	ASA725SP	7.25	2420	8257	4.19	3780	212.0	③
	ASD084SF	8.4	2700	9213	4.95	3050	223.0	③
D	ASD084CD	8.4	2400	8189	4.21	3200	223.0	③
	ASD088SK	8.8	2505	7522	4.36	3200	245.0	③
	ASD102SF	10.2	2950	10065	4.29	3200	245.0	③
	ASD102SK	10.2	2950	10065	4.36	3200	223.0	③
	ASD102CD	10.2	2990	10202	4.27	3200	223.0	③
	ASD113RK	11.3	3230	11020	4.36	3200	245.0	③
TD	ATD141RD	14.1	5585	19056	4.45	4000	258.0	③
G	ASG133SF	13.3	5220	17811	4.47	4020	247.0	High Efficient Condition
	ASG133CD	13.3	5150	17572	4.29	4020	247.0	High Efficient Condition
	ASG151CD	15.1	5710	19483	4.33	4020	261.0	High Efficient Condition
TL	ATL232CD	23.2	6465	22059	2.94	3300	290.5	ASHRAE/T
	ATL232UD	23.2	6480	22110	3.16	3300	307.5	ASHRAE/T

R32 Inverter R32

DC Inverter

D	GSD102CD	10.2	3145	10731	4.33	3200	223.0	冷房定格①
	GSD102RK	10.2	3150	10748	4.38	3200	223.0	冷房定格①
G	GSG133RD	13.3	5420	18493	4.55	4000	261.0	高效工况

Inverter Compressor Test Mode

	Condensing temp(°C)	Evaporating temp(°C)	Liquid temp(°C)	Suction temp(°C)	Ambient temp(°C)
ASHRAE/T	54.4	7.2	46.1	35.0	35.0
High Efficient Condition	45.0	7.2	36.7	18.3	35.0
①	45.4	14.6	45.4	26.6	35.0
②	45.9	13.5	45.9	25.5	35.0
③	44.5	8.0	44.5	20.0	35.0



Series	Model	Displacement (cc/rev)	Cooling Capacity (W)	Cooling Capacity (Btu/h)	COP (W/W)	Rpm	Height (mm)	Test Mode
--------	-------	--------------------------	----------------------------	--------------------------------	--------------	-----	----------------	-----------

T1 R22 Constant-speed T1 R22
[1φ] 220-240V 50Hz

D	SD074CV	7.4	1210	4129	2.90	13/400	205.0	ASHRAE/T
	SD086CV	8.6	1410	4811	2.94	15/400	205.0	ASHRAE/T
	SD104CV	10.4	1740	5937	3.03	15/400	232.9	ASHRAE/T
	SD122CV	12.2	2040	6960	2.96	15/400	232.9	ASHRAE/T
	SD127CV	12.7	2050	6995	2.92	17/400	232.9	ASHRAE/T
	SD134CV	13.4	2260	7711	3.01	17/400	232.9	ASHRAE/T
	SD135UV	13.5	2300	7848	3.15	30/400	242.9	ASHRAE/T
	SD140UV	14.0	2385	8138	3.20	30/400	242.9	ASHRAE/T
	SD145CV	14.5	2480	8462	3.04	20/400	232.9	ASHRAE/T
	SD145UV	14.5	2480	8462	3.25	30/400	242.9	ASHRAE/T
	SD150RV	15.0	2535	8649	3.15	20/400	242.9	ASHRAE/T
	SD156CV	15.6	2650	9042	3.05	25/400	232.9	ASHRAE/T
G	SG148HV	14.8	2450	8359	3.20	25/450	256.0	ASHRAE/T
	SG151RV	15.1	2420	8257	3.10	25/450	256.0	ASHRAE/T
	SG157RV	15.7	2500	8530	3.10	25/450	256.0	ASHRAE/T
	SG162CV	16.2	2650	9042	3.03	30/400	242.0/249.3	ASHRAE/T
	SG162UV	16.2	2600	8871	3.15	25/450	256.0	ASHRAE/T
	SG167CV	16.7	2760	9417	3.00	35/400	242.0/249.3	ASHRAE/T
	SG167SV	16.7	2770	9451	3.11	35/400	256.0	ASHRAE/T
	SG173CV	17.3	2850	9724	3.00	35/400	242.0/249.3	ASHRAE/T
	SG173SV	17.3	2850	9724	3.11	35/400	256.0	ASHRAE/T
	SG184SV	18.4	3050	10407	3.11	35/450	256.0/263.9	ASHRAE/T
L	SL190HV	19.0	3180	10850	3.20	30/450	279.0	ASHRAE/T
	SL193CV	19.3	3250	11089	3.00	35/450	264.0	ASHRAE/T
	SL193RV	19.3	3200	10918	3.12	30/450	271.5	ASHRAE/T
	SL198RV	19.8	3290	11225	3.12	30/450	271.5	ASHRAE/T
	SL203UV	20.3	3390	11567	3.15	35/450	279.0	ASHRAE/T
	SL203HV	20.3	3330	11362	3.20	30/450	289.0	ASHRAE/T
	SL207UV	20.7	3445	11754	3.15	35/450	279.0	ASHRAE/T
	SL211CV	21.1	3540	12078	3.05	35/450	264.0	ASHRAE/T
	SL211UV	21.1	3515	11993	3.20	35/450	279.0	ASHRAE/T
	SL214UV	21.4	3560	12147	3.20	35/450	279.0	ASHRAE/T
	SL218UV	21.8	3620	12351	3.20	35/450	279.0	ASHRAE/T
	SL222CV	22.2	3740	12761	3.05	35/450	264.0	ASHRAE/T
	SL222SV	22.2	3740	12761	3.15	35/450	279.0	ASHRAE/T
	SL232CV	23.2	3900	13307	3.05	35/450	264.0	ASHRAE/T
	SL232SV	23.2	3900	13307	3.15	35/450	279.0	ASHRAE/T
	SL242SV	24.2	4100	13989	3.22	35/450	279.0	ASHRAE/T
	SL253SV	25.3	4270	14569	3.15	35/450	279.0	ASHRAE/T
	SL264UV	26.4	4460	15218	3.20	45/450	289.0	ASHRAE/T
SL272UV	27.2	4610	15729	3.20	45/450	289.0	ASHRAE/T	
SL286UV	28.6	4845	16531	3.17	45/450	289.0	ASHRAE/T	



Series	Model	Displacement (cc/rev)	Cooling Capacity (W)	Cooling Capacity (Btu/h)	COP (W/W)	Rpm	Height (mm)	Test Mode
--------	-------	-----------------------	----------------------	--------------------------	-----------	-----	-------------	-----------

T1 R22 Constant-speed T1 R22
[1φ] 220-240V 50Hz

H	SHY33M***S	30.7	5200	17742	3.15	50/400	307.8	ASHRAE/T
	SHX33S***S	33.6	5710	19483	3.15	60/400	307.8	ASHRAE/T
	SHW33T***U	35.7	5990	20438	3.01	50/420	293.4	ASHRAE/T
	SHV33Z***U	40.0	6740	22997	2.99	50/450	338.9	ASHRAE/T
	SHV33Y***U	41.7	7100	24225	3.04	50/450	338.9	ASHRAE/T
	SH286UV-2A	28.6	4910	16753	3.33	45/450	293.4	ASHRAE/T
	SH295UV	29.5	5010	17094	3.25	40/450	293.4	ASHRAE/T
	SH295UV-2A	29.5	5090	17367	3.34	45/450	307.8	ASHRAE/T
	SH300UV	30.0	5120	17469	3.25	40/450	307.8	ASHRAE/T
	SH307UV-2	30.7	5230	17845	3.30	45/450	307.8	ASHRAE/T
	SH315RV	31.5	5330	18186	3.15	35/450	293.4	ASHRAE/T
	SH365RV	36.5	6170	21052	3.15	60/400	330.9	ASHRAE/T
SH380RV	38.0	6410	21871	3.10	45/450	320.9	ASHRAE/T	
TH	THK33X***U	45.4	7750	26443	3.05	60/450	338.9	ASHRAE/T
	THK33P***U	46.0	8050	27467	3.08	60/450	372.7	ASHRAE/T
	THU33W***U	48.8	8350	28490	3.15	60/450	372.7	ASHRAE/T
	TH410UV-1	41.0	7140	24362	3.35	70/450	358.9	ASHRAE/T
	TH420RV-1	42.0	7320	24976	3.30	70/450	358.9	ASHRAE/T
	TH425RV-1	42.5	7320	24976	3.28	70/450	372.7	ASHRAE/T
	TH428RV	42.8	7440	25385	3.20	50/450	358.9	ASHRAE/T

[1φ] 220V 50Hz (Suitable for 15-280V)

G	SG148GV	14.5	2500	8530	3.10	30/450	256.0	ASHRAE/T
	SL214GV	21.4	3670	12522	3.18	30/450	279.0	ASHRAE/T
H	SH295GV-1	29.5	5180	17674	3.12	50/450	307.8	ASHRAE/T
	SH370GV	37.0	6380	21769	3.05	60/450	330.9	ASHRAE/T
	SH417GV	41.7	7200	24566	3.00	70/450	330.9	ASHRAE/T

Constant-speed Compressor Test Mode

测试工况	Condensing temp(°C)	Evaporating temp(°C)	Liquid temp(°C)	Suction temp(°C)	Ambient temp(°C)
ASHRAE/T	54.4	7.2	46.1	35.0	35.0



Series	Model	Displacement (cc/rev)	Cooling Capacity (W)	Cooling Capacity (Btu/h)	COP (W/W)	Rpm	Height (mm)	Test Mode
--------	-------	--------------------------	----------------------------	--------------------------------	--------------	-----	----------------	-----------

T1 R22 Constant-speed T1 R22
[1φ] 208-230V 60Hz

D	SD074SN	7.4	1460	4982	2.96	15/400	212.7	ASHRAE/T
	SD104SN	10.4	2131	7271	3.13	17/400	240.6	ASHRAE/T
	SD122SN	12.2	2490	8496	3.05	17/400	240.6	ASHRAE/T
	SD127SN	12.7	2600	8871	3.08	17/400	240.6	ASHRAE/T
	SD134SN	13.4	2785	9502	3.11	25/400	244.1	ASHRAE/T
G	SG167SN	16.7	3380	11533	3.12	30/420	256.0/263.3	ASHRAE/T
	SG173SN	17.3	3465	11823	3.12	30/420	256.0/263.3	ASHRAE/T
	SG184SN	18.4	3760	12829	3.15	30/420	256.0/263.3	ASHRAE/T
L	SL193SN	19.3	3975	13563	3.15	40/400	279.0	ASHRAE/T
	SL211SN	21.1	4315	14723	3.18	40/450	279.0	ASHRAE/T
	SL242RN	24.2	4775	16292	3.09	40/450	279.0	ASHRAE/T
	SL248SN-1	24.8	5050	17231	3.20	45/450	289.0	ASHRAE/T
	SL253SN	25.3	5170	17640	3.15	50/450	279.0	ASHRAE/T
H	SHZ73L***U	28.6	5890	20097	3.06	45/440	278.4/287.8	ASHRAE/T
	SHY73M***U	30.7	6550	22349	3.16	45/400	293.4/302.8	ASHRAE/T
	SHW73T***U	35.6	7305	24925	3.01	50/400	293.4/302.8	ASHRAE/T
	SHV73Y***U	41.7	8520	29070	3.00	50/450	338.9	ASHRAE/T
	SH336SN	33.6	6880	23475	3.18	60/450	317.8	ASHRAE/T
TH	THK73X***U	45.4	9300	31732	3.05	50/450	338.9	ASHRAE/T

[3φ] 380V 50Hz

H	SH336SC	33.6	5740	19585	3.09	-	293.4	ASHRAE/T
TH	THK40X***U	45.4	7600	25931	3.10	-	347.7	ASHRAE/T
	THK40P***U	47.2	7850	26784	3.12	-	361.3	ASHRAE/T
	THU40W***U	48.8	8197	27978	3.18	-	361.3	ASHRAE/T
	TH420RC	42.0	7250	24737	3.30	-	339.7	ASHRAE/T
	TH428RC	42.8	7340	25044	3.25	-	339.7	ASHRAE/T
	TH446RC	44.6	7500	25590	3.25	-	347.7	ASHRAE/T
TE	TE638RC	63.8	11800	40262	3.30	-	410.5	ASHRAE/T
	TE680RC	68.0	12830	43776	3.35	-	410.5	ASHRAE/T
	TE708RC	70.8	13250	45209	3.35	-	410.5	ASHRAE/T
	TE800RC	80.0	15050	51351	3.30	-	441.1	ASHRAE/T
	TE848RC	84.8	16170	55172	3.30	-	441.1	ASHRAE/T



Series	Model	Displacement (cc/rev)	Cooling Capacity (W)	Cooling Capacity (Btu/h)	COP (W/W)	Rpm	Height (mm)	Test Mode
--------	-------	-----------------------	----------------------	--------------------------	-----------	-----	-------------	-----------

T1 R410A Constant-speed T1 R410A

[1φ] 220-240V 50Hz

D	ASD084TV	8.4	1980	6757	2.85	25/400	248.8	ASHRAE/T
	ASD092TV	9.2	2200	7542	2.85	30/400	248.8	ASHRAE/T
G	ASG108TV	10.8	2510	8564	2.90	25/450	261.0	ASHRAE/T
	ASG116CV	11.6	2730	9315	2.80	35/450	261.0	ASHRAE/T
	ASG125TV	12.5	2850	9724	2.89	25/450	261.0	ASHRAE/T
L	ASL125TV	12.5	2982	10175	2.92	25/450	273.6	ASHRAE/T
	ASL135TV	13.5	3230	11021	2.92	25/450	273.6	ASHRAE/T
	ASL140SV	14.0	3370	11498	2.90	35/450	279.0	ASHRAE/T
	ASL145SV	14.5	3500	11942	2.95	35/450	279.0	ASHRAE/T
	ASL155SV	15.5	3700	12624	2.90	35/450	279.0	ASHRAE/T
	ASL180SV	18.0	4350	14842	2.90	35/450	279.0	ASHRAE/T
	ASL211SV	21.1	5030	17162	2.92	45/450	289.0	ASHRAE/T
H	ASH201RV	20.1	4785	16326	2.95	40/450	293.5	ASHRAE/T
	ASH210RV	21.0	4995	17043	2.95	40/450	293.5	ASHRAE/T
	ASH218SV	21.8	5180	17674	2.90	60/400	298.5	ASHRAE/T
	ASH232SV	23.2	5510	18800	2.90	60/400	298.5	ASHRAE/T
	ASH244SV	24.4	5800	19790	2.86	50/450	298.5	ASHRAE/T
	ASH255TV	25.5	6080	20745	2.94	55/450	298.5	ASHRAE/T
	ASH264RV-1	26.4	6310	21530	2.90	55/450	298.5	ASHRAE/T
	ASH275CV	27.5	6500	22178	2.83	50/450	312.9	ASHRAE/T
	ASH280TV	28.0	6830	23304	2.98	70/450	312.9	ASHRAE/T
	ASH307CV	30.7	7330	25010	2.82	60/450	332.0	ASHRAE/T
	ASH325CV	32.5	7800	26614	2.82	60/450	332.0	ASHRAE/T
TH	ATH270CV	27.0	6400	21837	2.86	50/450	335.9	ASHRAE/T
	ATH280TV	28.0	6600	22519	2.97	45/450	364.0	ASHRAE/T
	ATH290CV	29.0	7125	24311	2.88	60/450	358.0	ASHRAE/T
	ATH307RV	30.7	7330	25010	2.90	50/450	358.0	ASHRAE/T
	ATH325CV	32.5	7780	26545	2.87	60/450	358.0	ASHRAE/T

[3φ] 380V 50Hz

TH	ATH280TC	28.0	6750	23031	2.92	-	351.4	ASHRAE/T
TE	ATE470SC	47.0	11850	40432	3.03	-	410.5	ASHRAE/T
	ATE498SC	49.8	12650	43162	3.05	-	410.5	ASHRAE/T
	ATE518SC	51.8	13150	44868	3.02	-	410.5	ASHRAE/T
	ATE550SC	55.0	13950	47597	3.00	-	410.5	ASHRAE/T



Series	Model	Displacement (cc/rev)	Cooling Capacity (W)	Cooling Capacity (Btu/h)	COP (W/W)	Rpm	Height (mm)	Test Mode
--------	-------	-----------------------	----------------------	--------------------------	-----------	-----	-------------	-----------

T3 R22 Constant-speed T3 R22

[1φ] 220-240V 50Hz

L	SL232MV	23.2	3890	13273	3.05	45/450	264.0	ASHRAE/T
	SL280MV	28.0	4770	16457	3.20	45/450	289.0	ASHRAE/T
H	SH307MV-1	30.7	5250	17913	3.20	45/420	293.4	ASHRAE/T
	SH336MV-1	33.6	5770	19687	3.20	55/450	298.4	ASHRAE/T
	SH356MV-1	35.6	6120	20881	3.16	50/450	307.8	ASHRAE/T
	SH401MV	40.1	6890	23509	3.20	65/450	322.9	ASHRAE/T
	SH417MV-1	41.7	7165	24447	3.20	65/450	330.9	ASHRAE/T
	SH438MV	43.8	7510	25624	3.10	60/450	338.9	ASHRAE/T
TH	TH410MV	41.8	7150	24396	3.15	60/450	358.9	ASHRAE/T
	TH508MV	50.8	8660	29548	3.00	90/450	358.9	ASHRAE/T

[1φ] 230V 60Hz

L	SL193DG-1	19.3	3930	13409	3.05	50/450	279.0	ASHRAE/T
	SL242DG	24.2	5030	17162	3.15	45/450	289.0	ASHRAE/T
	SL260DG	26.0	5425	18510	3.20	40/450	289.0	ASHRAE/T
	SL280DG	28.0	5800	19790	3.10	40/450	289.0	ASHRAE/T
H	SH264DG-2	26.4	5550	18937	3.25	40/450	288.4	ASHRAE/T
	SH307DG-1	30.7	6450	22007	3.25	55/450	307.8	ASHRAE/T
	SH325DG	32.5	6860	23406	3.25	55/450	307.8	ASHRAE/T
	SH356DG-3	35.6	7450	25419	3.25	50/450	317.8	ASHRAE/T
	SH370DG	37.0	7780	26545	3.16	50/450	330.9	ASHRAE/T
TH	TH410DG	41.8	8670	29582	3.05	60/450	339.7	ASHRAE/T

T3 R410A Constant-speed T3 R410A

[1φ] 230V 50Hz

H	ASH193MV	19.3	4575	15610	3.05	-	-	ASHRAE/T
---	----------	------	------	-------	------	---	---	----------

[1φ] 230V 60Hz

L	ASL160DG	16.0	4730	16139	3.00	30/450	279.0	ASHRAE/T
	ASL193DG	19.3	5700	19448	3.00	40/450	279.0	ASHRAE/T
	ASL201DG	20.1	5940	20267	2.95	40/450	279.0	ASHRAE/T
H	ASH201DG	20.1	5965	20353	3.05	-	-	ASHRAE/T
	ASH232DG	23.2	6750	23031	3.05	-	-	ASHRAE/T