



Model: EMT6170Z
Code: 194RA67

embraco POWER IN.
CHANGE ON

Type:	On-off
Voltage [V] / Frequency [Hz] / Phases	220-240 V 50 Hz 1 ~
Refrigerant:	R-134a
Application:	HBP

Motor type:	CSIR
Starting torque:	HST
HP:	1/3-
Displacement:	7.69 cm ³

OPERATING CONDITION : ARI HBP

Evaporation Temp.	7.2 °C	Return Temp.	18.3 °C	Superheating	11.1 K
Condensing Temp.	54.4 °C	Liquid Temp.	54.4 °C	Subcooling	0.0 K

Cooling capacity	Power consumption	Mass flow rate	Efficiency
726.12 W	360.51 W	19.44 kg/h	2.01 W/W

APPLICATION

Evaporating temperature range:	-15 to 10 °C	Cooling type:	Fan Cooling
Permanent operating temperature (peak) :	60 (70) °C	Air Flow	--
Expansion device:	Capillary tube or Expansion valve	Maximum motor temperature:	130 °C

ELECTRICAL DATA

Start winding resistance at 25°C (77°F):	0 Ω +/- 8%	Run winding resistance at 25°C (77°F):	0 Ω +/- 8%
FLA - full load amperage L/MBP [A] 50 Hz / 60 Hz:	1.93 / -	LRA (A) 50 Hz / 60 Hz:	10.4 / -
		FLA - full load amperage HBP [A] 50 Hz / 60 Hz:	- / -

MECHANICAL DATA

Bore:	24 mm	Stroke:	8.5 mm
		Displacement:	7.69 cm ³

OTHER INFORMATION

Weight:	7.8 kg	Oil charge:	180 ml
Lubricant type:	Polyolester ISO22	Nitrogen charge:	No

EXTERNAL SETTINGS

	Shape	Material	Diameter [mm]
Suction connector	Slanted 42°	Copper	6.10
Discharge connector	Straight	Copper	4.86
Process connector	Slanted 42°	Copper	6.10
Base plate:	European Standard	Tray holder:	Yes

PERFORMANCES AT STANDARD CHECK-POINTS

Checkpoint	Cooling capacity	Power consumption	Gas flow rate	Cooling Efficiency	Heating capacity +/-	Heating Efficiency
	+/-5% W	+/-5% W	+/-5% kg/h	+/- 7% W/W	5% * W	+/- 7% W/W
ARI HBP	726.12	360.51	19.44	2.01	888.26	2.46
ARI MBP	436.92	256.41	11.71	1.70	561.08	2.19
ASHRAE CBP	470.74	264.59	10.25	1.78	605.32	2.29
ASHRAE HBP 32	921.04	360.58	18.34	2.55	1,084.96	3.01
ASHRAE HBP 46	819.45	360.62	18.14	2.27	983.67	2.73
CECOMAF HBP	683.81	346.71	16.80	1.97	845.39	2.44
EN12900 HBP**	729.65	333.26	17.01	2.19	879.18	2.64
EN12900 MBP**	422.92	233.66	9.24	1.81	536.68	2.30

* Calculations performed considering isentropic compression and a housing loss of 10%. This is an estimated heat amount discarded in the discharge pipe and the condenser combined.

CONDENSING TEMP. 35 °C**(SUBCOOLING : 0 K, RETURN TEMP.: 32 °C)**

Evaporating temperature °C	Cooling capacity	Power consumption	Gas flow rate	Cooling Efficiency	Heating capacity +/-	Heating Efficiency
	+/-5%	+/-5%	+/-5%	+/- 7%	5% *	+/- 7%
	W	W	kg/h	W/W	W	W/W
-15.00	380.05	203.35	7.58	1.87	470.91	2.32
-10.00	471.99	226.64	9.45	2.08	570.00	2.52
-5.00	581.73	250.97	11.70	2.32	685.39	2.73
0.00	712.50	276.04	14.40	2.58	819.81	2.97
5.00	867.38	301.77	17.64	2.87	975.56	3.23
10.00	1,049.59	328.00	21.50	3.20	1,155.00	3.52

CONDENSING TEMP. 45 °C**(SUBCOOLING : 0 K, RETURN TEMP.: 32 °C)**

Evaporating temperature °C	Cooling capacity	Power consumption	Gas flow rate	Cooling Efficiency	Heating capacity +/-	Heating Efficiency
	+/-5%	+/-5%	+/-5%	+/- 7%	5% *	+/- 7%
	W	W	kg/h	W/W	W	W/W
-15.00	337.68	208.45	7.35	1.62	440.38	2.11
-10.00	422.92	233.66	9.24	1.81	536.68	2.30
-5.00	521.46	262.00	11.44	1.99	644.56	2.46
0.00	637.77	291.30	14.07	2.19	768.62	2.64
5.00	775.39	320.74	17.22	2.42	912.00	2.84
10.00	937.63	349.76	20.99	2.68	1,077.29	3.08

CONDENSING TEMP. 55 °C**(SUBCOOLING : 0 K, RETURN TEMP.: 32 °C)**

Evaporating temperature °C	Cooling capacity	Power consumption	Gas flow rate	Cooling Efficiency	Heating capacity +/-	Heating Efficiency
	+/-5%	+/-5%	+/-5%	+/- 7%	5% *	+/- 7%
	W	W	kg/h	W/W	W	W/W
-15.00	281.78	226.12	6.76	1.25	389.07	1.72
-10.00	367.93	245.76	8.87	1.50	493.45	2.01
-5.00	459.27	276.56	11.13	1.66	598.86	2.17
0.00	562.92	311.09	13.73	1.81	714.38	2.30
5.00	683.81	346.71	16.80	1.97	845.39	2.44
10.00	825.79	382.24	20.46	2.16	995.45	2.60

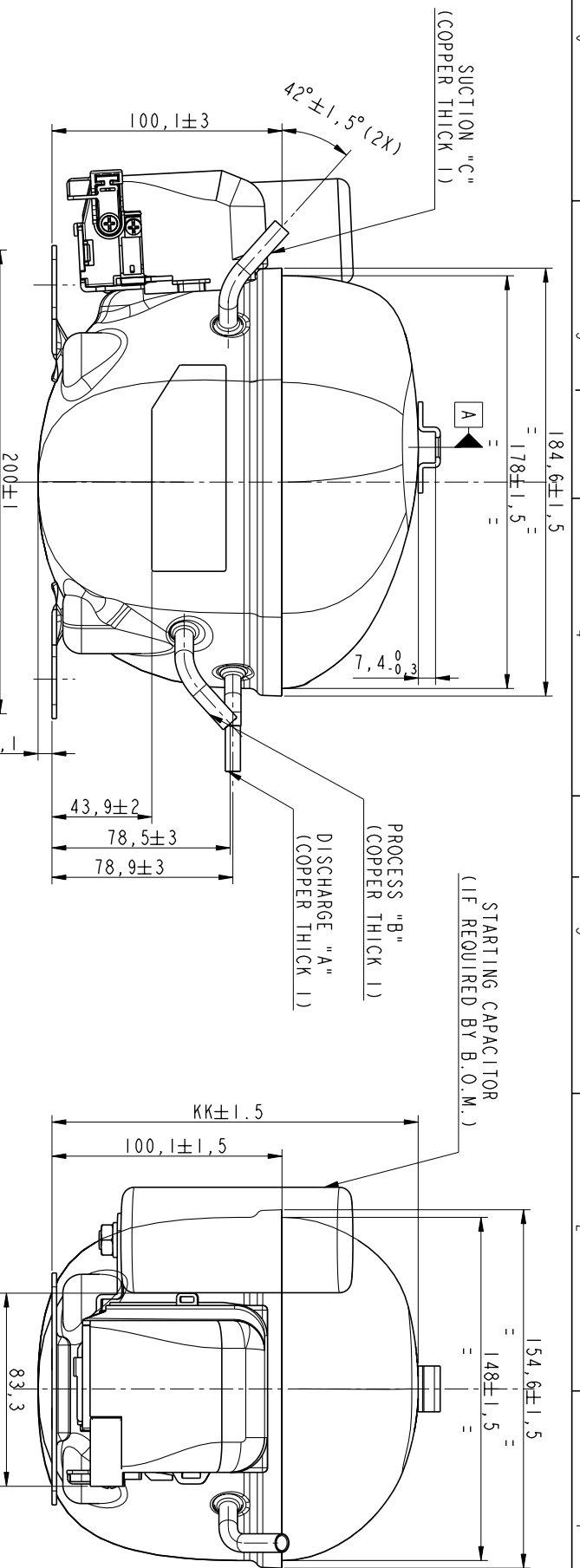
ELECTRICAL ACCESSORIES

Kit:	1
Starter device:	CURRENT RELAY
Engineering code:	MTRP-38
Run capacitor:	--
Starting capacitor:	53-64

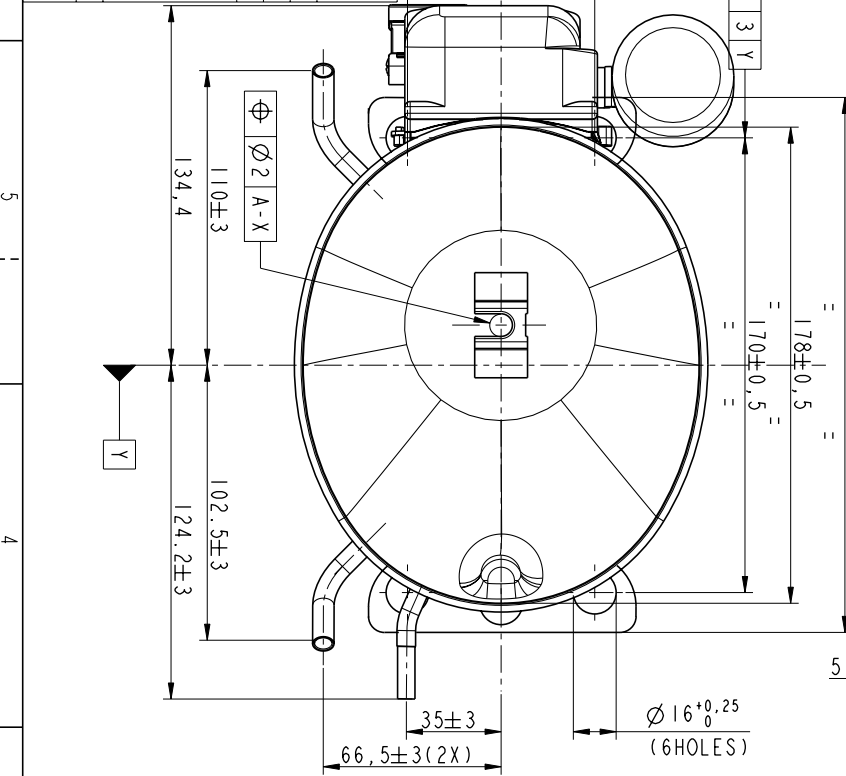
Thermal protector: T0318/G6**Institutes approved for this electric kit:**

If purchased without electricals consult Embraco to verify the supplier of electricals approved for this compressor

MECHANICAL ACCESSORIES**Rubber damper:** Yes**Metal bushing:** Optional



ECM	REVISION	LO	BY	APP	DATE
510532	1	PRIMA EMISSIONE	--	PV VP	10.10.2007
516049	2	AGGIORNATI MODELLI	--	PV VP	14.07.2010
516581	3	AGGIUNTI MODELLI R600a	--	PV VP	28.01.2011
31560	4	AGGIUNTI MODELLI EMT37HDP EMT50HDP EMT121U EMT1250 EMT5125Y EMT5125Y AGGIORNATO GRAFICAMENTE PER LE NUOVE STAFFE BASE. MODIFICATE LE QUOTE : - ERA 204 ± 1,5 ; E' 200 ± 1 - ERA 6, E' 5,1 - ERA 43 ± 2 ; E' 43,9 ± 2 - ERA 71,6 ± 3 ; E' 78,5 ± 3 - ERA 166 ± 3 ; E' 78,9 ± 3 - ERA 158 ; E' 158,9 - ERA 166 ; E' 166,9 - ERA 99,2 ± 3 ; E' 100,1 ± 3 - ERA 99,2 ± 1,5 ; E' 100,1 ± 1,5	BR DC CC CC CC CC CC CC DC	AM DM	18.11.2013



Logos and labels for the capacitor, including safety warnings and product identification.

Safety Warnings:

- R 600a CE
- R 290 CE
- R 404A CE
- R 134a CE

Product Identification:

- embraco EMT6170Z
- TERMINALI PROTETTE 220-240V-50Hz
- ESTER OIL WIND
- NO SPARK WINDON STARTING SERVICE
- 194FA67 280W/01 2A3XR877

I.D. 158,9.4.86-5.02 X 15 DEEP	I.D. 6.1-6.2 X 15 DEEP	I.D. 6.1-6.2 X 15 DEEP	EMT37HDP EMT45HDR EMT6144Z EMT6160Z EMT6170Z EMT2117GK EMT2121GK EMT2125GK EMT6144GK EMT6152GK EMT6165GK EMT1121U EMT1125U EMT2117U EMT2121U EMT2125U EMT6144U EMT6152U EMT6165U EMT6144Y EMT6160Y EMU5132Y
I.D. 166,9.4.86-5.02 X 15 DEEP	I.D. 6.1-6.2 X 15 DEEP	I.D. 6.1-6.2 X 15 DEEP	EMT5125Y

KK	A	B	C	MODELS
I.D. 158,9.4.86-5.02 X 15 DEEP	I.D. 6.1-6.2 X 15 DEEP	I.D. 6.1-6.2 X 15 DEEP	I.D. 6.1-6.2 X 15 DEEP	EMU5125Y

MATERIAL :
CODE :
DRAWN : P.V. 10.10.2007
APP. : VALERO 10.10.2007
ECM : 510532

NAME
VISTA ESTERNA EMT Commercial
EXTERNAL VIEW EMT Commercial
194.67 872.67 876.67 877.67 912.67

GEN. TOL. :
ANG. TOL. :
SCALE : 1 : 2
REPLACE
No.
1.960.919

THIS MATERIAL IS CONFIDENTIAL AND PROPRIETARY TO EMBRACO EUROPE AND MAY NOT BE REPRODUCED, DISCLOSED, DISTRIBUTED OR USED WITHOUT WRITTEN PERMISSION.