



Tecumseh Sealed - Introduction

L'Unite Hermetique is 100% owned by Tecumseh.

Where applicable all L'Unite compressors come complete with full electrics and rotalock valves included in cost. FH - TFH - TAG & *TAGD compressors come complete with crankcase heaters and oil level sight glasses. NB. A/C compressors may not have accessories attached.

Terminology

LT (LBP)	Low Temperature - Evaporating Temp Range -40°C / -10°C
HT (HBP)	High Temperature - Evaporating Temp Range -15°C / +15°C
HT W (M/HBP)	High Temperature Wide Range - Evaporating Temp Range -25°C / +15°C
AC	Air Conditioning - Evaporating Temp Range -10°C / +10°C
S/F	Static Cooled/Fan Cooled
F	Fan Cooled
SOC	Static with oil cooler
CAP	Capillary Controlled
CAP/TEV	Capillary or Expansion Valve Controlled

For suitable compressor oils, please see Lubricants Section on page 180.

M	Mineral Oil
AB	Alkylbenzene Oil
P	Polyolester Oil

Warranty: See Warranty section at rear of catalogue for more details.



T/FH



FH



RK



CAJ



TAGD

*Dual Compressor

Nomenclature For Compressor And Condenser Titles



EN 12900: The compressors rating conditions for refrigeration. The standard defines the new capacity rating points for refrigeration in a way which is more useful to refrigeration engineers. In addition, they specify the tolerances which are applicable to the characteristics of each product.

Tecumseh Europe Rating Conditions EN 12900

	Domestic Application	LBP	HBP / MHBP	AC
T° evaporating	-25°C	-35°C	-10°C	+5°C
T° condensing	+55°C	+40°C	+45°C	+50°C
T° return gas (=evaporator outlet)	+32°C	+20°C	+20°C	+10°C
Sub-cooling	0°K	0°K	0°K	0°K

Note: Visit www.tecumseh-europe.com for additional product information.



Tecumseh R134a Low Temp Domestic-Commercial (220-240/1/50)

Column Key: D = Displacement, OC = Oil Charge, Control = Cap/TEV for all models listed.

Realcold Stock No.	Model	Nom. Hp	Appl.	Capacity (w) @ 32° Ambient						H (mm)	D (cm³)	OC (L)	C	Control	Price \$ Excl. GST
				-35°C	-30°C	-23.3°C	-20°C	-15°C	-10°C						
C0508	THB1365Y	1/5	LT	57	81	124	149	193	244	172	5.9	0.270	S	Cap	
C0522	AEZ2380Y	1/4	LT	75	116	180	215	2372	336	199	9.4	0.350	SOC	Cap/TEV	
C0530	CAE2410Y	1/3	LT	73	121	208	261	351	456	199	12	0.250	F	Cap/TEV	
C0534	CAE2412Y	3/8	LT	77	139	246	308	414	534	199	14.2	0.250	F	Cap/TEV	

Tecumseh R134a Medium Temp Domestic-Commercial (220-240/1/50)

Realcold Stock No.	Model	Nom. Hp	Appl.	Watts							H	D (cm³)	OC (L)	C	Control	Price \$ Excl. GST
				-15°C	-10°C	-5°C	0°C	+7.2°C	+10°C	+15°C						
C0511	THB4415YFZ	1/8	HT	161	198	245	302	400	443	524	186	4.23	0.250	S	Cap/TEV	
C0512	THB4419YFZ	1/6	HT	194	241	299	368	484	534	629	169	5.0	0.27	S	Cap/TEV	
C0518-AE2	AE4425Y	1/5	HT	241	323	417	524	698	770	907	186	7.6	0.250	F	Cap/TEV	
C0525-AE2	AEZ4430Y	1/4	HT	319	407	516	643	854	945	1117	199	8.8	0.350	F	Cap/TEV	
C0535-AE2	CAE4440Y	1/3	HT	403	524	670	842	1127	1249	1481	199	12	0.350	F	Cap/TEV	
C0536-AE2	AE4450Y-FZ1C	3/8	HT	524	659	828	1028	1365	1511	1787	212	14.2	0.350	F	Cap/TEV	
C0537-AE2	CAE4456Y	3/7	HT	596	750	940	1162	1543	1694	1996	212	16.2	0.350	F	Cap/TEV	
C0550	CAJ4461Y	1/2	HT	603	793	1021	1294	1780	2003	2453	258	18.3	0.887	F	Cap/TEV	
C0575	CAJ4492Y	3/4	HT	800	1113	1467	1871	2554	2856	3454	271	25.9	0.887	F	Cap/TEV	
C0590	CAJ4511Y	1	HT	1109	1474	1895	2382	3218	3592	4332	282	32.7	0.89	F	Cap/TEV	
C0593*	FH4518Y	1.1/2	HT	1348	2049	2831	3688	5039	5596	6629	330	53.2	1.480	F	Cap/TEV	
C0595*	FH4525Y	2	HT	2167	2913	3822	4884	6654	7411	8846	354	74.25	1.480	F	Cap/TEV	

* C0593 and *C0595 are available both single and three phase - please state when ordering. Includes crankcase heater.

Tecumseh R134a Medium Temp Commercial (400/3/50)

Realcold Stock No.	Model	Nom. Hp	Appl.	Watts							H	D (cm³)	OC (L)	C	Control	Price \$ Excl. GST
				-15°C	-10°C	-5°C	0°C	+7.2°C	+10°C	+15°C						
C0594*	TFH4518Y	1.1/2	HT	1348	2049	2831	3688	5039	5596	6629	330	53.2	1.480	F	Cap/TEV	
C0596*	TFH4525Y	2	HT	2167	2913	3822	4884	6654	7411	8846	354	74.25	1.480	F	Cap/TEV	

* C0594 and *C0596 are available both single and three phase - please state when ordering. Includes crankcase heater.

All above compressors use Polyolester oil.

Specified compressor heights are indicative of series dimensions. Certain model heights vary from specification. Please consult Realcold if the compressor height is crucial. For detailed dimensions refer to the Tecumseh General Catalogue, or visit: www.tecumseh-europe.com for additional product information.



Tecumseh R404A Medium Temp Domestic-Commercial (220-240/1/50)

Column Key: D = Displacement, OC = Oil Charge, Control = Cap/TEV for all models listed.

Realcold Stock No.	Model	Nom. Hp	Appl.	Watts							H (mm)	Displ. (cm ³)	OC (L)	Price \$ Excl. GST
				-15°C	-10°C	-5°C	0°C	+7.2°C	+10°C	+15°C				
C7012-AE2	AEZ4430Z	1/4	HT	343	431	532	644	818	889	1017	186	5.7	0.250	
C7014-AE2	AEZ4440Z	1/3	HTW	470	583	716	865	1105	1203	1383	199	7.6	0.350	
C7016-AE2	AE4450Z	3/7	HTW	504	652	823	1020	1358	1508	1806	212	9.40	0.350	
C7020-AE2	CAE9460Z	1/2	HTW	667	1052	1288	1689	1866	2215	2515	212	11.3	0.350	
C7021	CAE9470Z	1/2	HTW	803	1246	1520	1988	2605	2195	2605	215	13.3	0.350	
C7030	CAJ9510Z	1	HTW	1167	1796	2182	2838	3704	3129	3704	282	18.3	0.887	
C7036	CAJ4517Z	1.1/4	HT	1606	2058	2566	3138	4098	4520	5350	282	25.95	0.887	
C7038	CAJ4519Z	1.1/2	HT	2120	2664	3276	3967	5125	5633	6632	282	34.45	0.887	
*C7040	FH4524Z	2	HT	2299	3048	3889	4833	6388	7059	8359	354	43.5	1.480	
*C7042	FH4531Z	2.1/2	HT	3055	3968	4991	6143	8070	8916	10580	370	56.65	1.480	

Tecumseh R404A Medium Temp Commercial (400/3/50)

Column Key: D = Displacement, OC = Oil Charge, Control = Cap/TEV for all models listed.

Realcold Stock No.	Model	Nom. Hp	Appl.	Watts							H (mm)	Displ. (cm ³)	OC (L)	Price \$ Excl. GST
				-15°C	-10°C	-5°C	0°C	+7.2°C	+10°C	+15°C				
*C7058	TFH4540Z	3	HT	4043	5173	6437	7861	10245	11292	13349	370	74.25	1.480	
*C7070P^	TAG4553Z	4.1/2	HT	4633	6220	8062	10202	13895	15550	18845	381	100.7	1.96	
*C7074P^	TAG4561Z	5.0	HT	5389	7107	9082	11363	15282	17036	20527	381	112.5	1.96	
*C7064P^	TAGP4546Z	4.0	HT	4035	5457	7122	9061	12401	13892	16850	368	90.2	1.960	
*C7082P^	TAG4573Z	6.1/4	HT	7121	9156	11508	14224	18870	20938	25033	393	134.8	1.96	

* Available both single and three phase - please state when ordering.

P^ Include an oil level sight glass and connections for oil and pressure equalising lines.

All above compressors use Polyolester oil.



Tecumseh R404A Low Temp Commercial (220-240/1/50)

Column Key: D = Displacement, OC = Oil Charge, Control = Cap/TEV for all models listed.

Realcold Stock No.	Model	Nom. Hp	Appl.	Watts						H (mm)	Displ. (cm³)	OC (L)	Price \$ Excl. GST
				-35°C	-30°C	-23.3°C	-20°C	-15°C	-10°C				
C0532-AE2	AE2415Z	3/8	LT	185	254	369	436	551	685	199	8.1	0.350	
C0551	CAE2420Z	1/2	LT	312	414	581	677	838	1081	212	12.54	0.350	
C0554	CAE2424Z	5/8	LT	313	432	634	754	963	1208	215	15	0.350	
C0573	CAJ2432Z	3/4	LT	372	533	800	956	1226	1541	271	18.3	0.887	
C0580	CAJ2446Z	1	LT	597	821	1186	1397	1759	2176	282	26.15	0.887	
C0592	CAJ2464Z	1.1/2	LT	820	1108	1579	1850	2317	2855	282	34.45	0.887	
*C0599	FH2480Z	2	LT	1125	1587	2303	2701	3364	4105	370	53.2	1.625	
C0600	FH2511Z	3	LT	1477	2109	3155	3762	4807	6013	370	74.25	1.625	

* C0599 is available both single and three phase - please state when ordering.

Tecumseh R404A Low Temp Commercial (400/3/50)

Column Key: D = Displacement, OC = Oil Charge, Control = Cap/TEV for all models listed.

Realcold Stock No.	Model	Nom. Hp	Appl.	Watts						H (mm)	Displ. (cm³)	OC (L)	Price \$ Excl. GST
				-35°C	-30°C	-23.3°C	-20°C	-15°C	-10°C				
*C7122P^	TFH2511Z	3.0	LT	1477	2109	3155	3762	4807	6013	370	74.25	1.625	
*C7126P^	TAG2516Z	4.0	LT	2341	3149	4623	5512	7061	8851	381	112.5	1.96	
*C7128P^	TAG2522Z	5.0	LT	3187	4127	5855	6903	8733	10853	393	134.8	1.96	

* Include crankcase heater and oil sight glass.

P^ Include an oil level sight glass and connections for oil and pressure equalising lines.

All above compressors use Polyolester Oil and require fan cooling.

Refer to Realcold Technical Department for Tandem Compressor packages up to 12HP.



Use Acid-Away to solve burn-out and acid build up situations.

Tecumseh R22 Sealed Air Conditioning (220-240/1/50)

Rated in Watts at +7.2°C SST/+54.5°C SCT, for capillary use only.

Realcold Stock No.	Model	Watts	H (mm)	D (cm³)	OT	OC (L)	C	Price \$ Excl. GST
C0124	AJ5515E	3652	271	25.95	M	0.89	F	
C0126	AJ5518E	4589	282	32.7	M	0.89	F	
C0127	AJ5519E	4702	282	34.45	M	0.89	F	
C0129	FH5524F	5749	330	43.5	M	1.33	F	
C0138	FH5527E	6522	330	49.1	M	1.33	F	



Electrics - Medium Temperature R404A

Realcold Stock No.	Compressor	Relay		Overload		Capacitor Start		Capacitor Run	
C7010	AEZ4425Z	C1043	MTRP0037-31	C1591	MRP63AMK-3240	C2000	50 uf/260V	n/a	
C7012	AEZ4430Z	C1045	MTRP0027-31	C1504	MRP56AMK-3240	C2000	50 uf/260V	n/a	
C7012-AE2	AE4430Z-FZ1A	C1225	RP4038	C1689	T14526-23	C2092	64-77uF / 330V	n/a	
C7013	AEZ4440Z	C1049	MTRP0030-31	C1672	MST58AMN-3240	C2038	100 uf/260V	n/a	
C7014	AEZ9440Z	C1153	3ARR3-T3AB3	C1535	MSP61AMK-3242	C2000	50 uf/260V	C2005	7.5 uf/400V
C7014-AE2	AE4440Z-FZ1A	C1226	RP4538	C1690	T1411-23	C2093	108-130uF / 330V	n/a	
C7015	AEZ4450Z	C1027	9660-A467-158	C1587	MRT28AMK-3240	C2000	50 uf/260V	n/a	
C7016	CAE9450Z	C1154	RVA4L3D	C1670	MST36AMHD-3242	C2000	50 uf/260V	C2005	7.5 uf/400V
C7016-AE2	AE4450Z-FZ1A	C1227	RP4938	C1691	T1419-23	C2089	88-108uF / 250V	n/a	
C7020	CAE9460Z	C1155	3ARR3-U10AA3	C1578	MST28AMK-3242	C2000	50 uf/260V	C2005	7.5 uf/400V
C7020-AE2	AE4460Z-FZ1C	C1228	RP5418	C1692	T8107-23	C2092	64-77uF / 330V	n/a	
C7021	CAE9470Z	C1154	RVA4L3D	C1667	MST22APK-3242	C2010	64 uf/260V	C2050	15 uf/400V
C7022	CAJ9480Z	C1210	3ARR3-U10AU3	C1581	MRT24ALK-3242	C2037	88 uf/330V	C2050	15 uf/400V
C7030	CAJ9510Z	n/a		C1675	MST00ALKD-3241	C2039	100 uf/330V	C2050	15 uf/400V
C7032	CAJ9513Z	C1148	3ARR3T6AY3	C1651	MST18AIW-3242	C2030	88 uf/260V	C2050	15 uf/400V
C7036	CAJ4517Z	C1125	3ARR3 T6AV3	C1680	MST16AGZ-3242	C2039	100 uf/330V	C2061	17.5 uf/400V
C7038	CAJ4519Z	C1190	3ARR3 W10AS3	C1685	CST00AHSF-3038	C2038	100 uf/260V	C2088	35 uf/400V
C7039	FH4522Z	C1126	RVA4I3R	Internal		C2042	125 uf/330V	C2085	30 uf/400V
C7040	FH4524Z	C1148	3ARR3T6AY3	Internal		C2039	100 uf/330V	C2085	30 uf/400V
C7042	FH4531Z	n/a		Internal		C2046	156 uf/330V	C2088	35 uf/400V

Electrics - Low Temperature R404A

Realcold Stock No.	Compressor	Relay		Overload		Capacitor Start		Capacitor Run	
C0532	AEZ2415Z	C1053	MTRP49-31	C1504	MRP56AMK-3240	C2000	50 uf/260V	n/a	
C0532-AE2	AE2415Z-FZ1A	C1230	RP4018	C1694	T4111-23	C2091	72-88uF / 330V	n/a	
C0545	CAE2417Z	C1156	3ARR3-U3AU3	C1504	MRP56AMK-3240	C2000	50 uf/260V	C2005	7.5 uf/400V
C0551	CAE2420Z	C1049	MTRP0030-31	C1578	MST28AMK-3242	C2010	64 uf/260V	n/a	
C0554	CAE2424Z	C1156	3ARR3-U3AU3	C1578	MST28AMK-3242	C2010	64 uf/260V	C2050	15 uf/400V
C0555	CAJ2428Z	C1150	3ARR18A-101B	C1630	MRT16APK-3242	C2037	88 uf/330V	n/a	
C0573	CAJ2432Z	C1157	3ARR3-U10AD3	C1580	MRT20ALKD-3242	C2037	88 uf/330V	C2050	15 uf/400V
C0580	CAJ2446Z	C1140	3ARR3-U10AB3	C1580	MRT20ALKD-3242	C2037	88 uf/330V	C2050	15 uf/400V
C0592	CAJ2464Z	C1155	3ARR3-U10AA3	C1583	MRT00AJZ-3241	C2037	88 uf/330V	C2060	20 uf/400V
C0599	FH2480Z	C1128	RVA4Q3D	Internal		C2046	156 uf/330V	C2070	25 uf/400V



Electrics - Medium / High Temperature R22

Realcold Stock No.	Compressor	Relay		Overload		Capacitor Start		Capacitor Run	
C0320	AEZ4425E	C1043	MTRP0037-31	C1591	MRP63AMK-3240	C2000	50 uf/260V	n/a	
C0325	AEZ4430E	C1080	9660-B467-138	C1504	MRP56AMK-3240	C2000	50 uf/260V	n/a	
C0333	AEZ4440E	C1049	MTRP0030-31	C1672	MST58AMN-3240	C2038	100 uf/260V	n/a	
C0335	AEZ9440T	C1153	3ARR3-T3AB3	C1535	MSP61AMK-3242	C2010	64 uf/260V	C2005	7.5 uf/400V
C0339	CAE4450E	C1049	MTRP0030-31	C1578	MST28AMK-3242	C2000	50 uf/260V	n/a	
C0340	CAE9450T	C1154	RVA4L3D	C1545	MRT36AMHD-3242	C2000	50 uf/260V	C2005	7.5 uf/400V
C0351	CAE9460T	C1154	RVA4L3D	C1578	MST28AMK-3242	C2000	50 uf/260V	C2005	7.5 uf/400V
C0360	CAJ9480T	C1140	3ARR3-U10AB3	C1581	MRT24ALK-3242	C2039	100 uf/330V	C2050	15 uf/400V
C0375	CAJ9510T	C1140	3ARR3-U10AB3	C1580	MRT20ALKD-3242	C2039	100 uf/330V	C2050	15 uf/400V
C0390	CAJ9513T	C1155	3ARR3-U10AA3	C1585	MRT00AJK-3241	C2037	88 uf/330V	C2050	15 uf/400V
C0392	CAJ4517E	C1141	3ARR3K6AV3	C1620	MST00AHKE-3241	C2039	100 uf/330V	C2060	20 uf/400V
C0393	FH4522F	C1126	RVA4I3R	Internal		C2042	125 uf/330V	C2085	30 uf/400V
C0394	CAH4524T	C1148	3ARR3T6AY3	Internal		C2042	125 uf/330V	C2085	30 uf/400V
C0395	FH4524F	C1126	RVA4I3R	Internal		C2039	100 uf/330V	C2085	30 uf/400V
C0396	CAH4531E	C1141	3ARR3K6AV3	Internal		C2046	156 uf/330V	C2088	35 uf/400V
C0397	FH4531F	C1125	3ARR3 T6AV3	Internal		C2046	156 uf/330V	C2088	35 uf/400V

Electrics - Options R22 (c/w start kit)

Realcold Stock No.	Compressor	Relay		Overload		Capacitor Start		Capacitor Run	
C0110	AJ5510F	C1190	3ARR3 W10AS3	C1640	MST 18AKN-3242	C2080	21 uf/330 V	C2050	15 uf/400V
C0111	AJ5512E	C1190	3ARR3 W10AS3	C1650	MRT 18AJN-3242	C2080	21 uf/330 V	C2050	15 uf/400V
C0123	AJ5513E	C1195	3ARR3K4AA3	C1651	MST18AIW-3242	C2080	21 uf/330 V	C2060	20 uf/400V
C0124	AJ5515E	C1200	3ARR3K6AV3	C1662	MRT 16AGZ-3242	C2080	21 uf/330 V	C2060	20 uf/400V
C0126	AJ5518E	C1190	3ARR3 W10AS3	C1663	CST16AHSF-3054	C2080	21 uf/330 V	C2070	25 uf/400V
C0127	AJ5519E	C1190	3ARR3 W10AS3	C1665	CST 00AHPH-3038	C2080	21 uf/330 V	C2070	25 uf/400V
C0128	AH5524E	C1025	3ARR3U3P2	Internal		C2030	88 uf/260V	C2088	35 uf/400V



Electrics - Options R22 (c/w PTC relay)

Realcold Stock No.	Compressor	Relay		Overload		Capacitor Start		Capacitor Run	
C0110	AJ5510F	C1011	CTP9EAEQ	C1640	MST 18AKN-3242	n/a		C2050	15 uf/400V
C0111	AJ5512E	C1011	CTP9EAEQ	C1650	MRT 18AJN-3242	n/a		C2050	15 uf/400V
C0123	AJ5513E	C1011	CTP9EAEQ	C1651	MST18AIW-3242	n/a		C2060	20 uf/400V
C0124	AJ5515E	C1011	CTP9EAEQ	C1662	MRT 16AGZ-3242	n/a		C2060	20 uf/400V
C0126	AJ5518E	C1011	CTP9EAEQ	C1663	CST16AHSF-3054	n/a		C2070	25 uf/400V
C0127	AJ5519E	C1011	CTP9EAEQ	C1665	CST 00AHPH-3038	n/a		C2070	25 uf/400V
C0128	AH5524E	C1011	CTP9EAEQ	Internal		n/a		C2088	35 uf/400V

Electrics - Medium / High Temperature R134a

Realcold Stock No.	Compressor	Relay		Overload		Capacitor Start		Capacitor Run	
C0504	AZ3414Y	C1010	CTP MSDAI	C1527	MRP390HZ-3007	n/a		n/a	
C0505	AZ4419Y	C1012	MTRP-0140-31	C1527	MRP390HZ-3007	C2030	88 uf/260V	n/a	
C0525	AEZ4430Y	C1080	9660-B467-138	C1543	MRP61AMK-3240	C2000	50 uf/260V	n/a	
C0525-AE2	AE4430Y-FZ1A	C1224	RP4238	C1689	T14526-23	C2094	47-56uF / 250V	n/a	
C0535	CAE4440Y	C1047	MTRP0012-31	C1523	MRP380AMK-3240	C2022	72 uf/260V	n/a	
C0535-AE2	AE4440Y-FZ1A	C1229	RP4838	C1690	T1411-23	C2095	88-108uF / 330V	n/a	
C0536	CAE4448Y	C1047	MTRP0012-31	C1560	MRP36AMHD-3240	C2010	64 uf/260V	n/a	
C0536-AE2	AE4450Y-FZ1C	C1221	RP5038	C1686	T14119-23	C2089	88-108uF / 250V	n/a	
C0537	CAE4456Y	C1049	MTRP0030-31	C1607	T0691-A0	C2010	64 uf/260V	n/a	
C0537-AE2	AE4456Y-FZ1C	C1222	MTRP0030-31	C1687	MSP28APW-5587	C2090	64-77uF / 250V	n/a	
C0538	CAJ4452Y	C1205	3ARR18A-44B	C1582	MRT26ALKD-3242	C2010	64 uf/260V	n/a	
C0550	CAJ4461Y	C1205	3ARR18A-44B	C1581	MRT24ALK-3242	C2010	64 uf/260V	n/a	
C0575	CAJ4492Y	C1160	3ARRA18A-98B	C1616	MRT24AJN-3242	C2010	64 uf/260V	n/a	
C0590	CAJ4511Y	C1155	3ARR3-U10AA3	C1585	MRT00AJK-3241	C2039	100 uf/330V	C2050	15 uf/400V
C0593	FH4518Y	C1190	3ARR3 W10AS3	Internal		C2030	88 uf/260V	C2070	25 uf/400V
C0595	FH4525Y	C1125	3ARR3 T6AV3	Internal		C2039	100 uf/330V	C2085	30 uf/400V



Electrics - Low Temperature Compressors R134a

Realcold Stock No.	Compressor	Relay		Overload		Capacitor Start		Capacitor Run	
C0501	AZ1335Y	C1010	CTP MSDAI	C1601	MRP 419HZ-3240	n/a		n/a	
C0502	AZ1339Y	C1010	CTP MSDAI	C1601	MRP 419HZ-3240	n/a		n/a	
C0503	AEZ1358Y	C1010	CTP MSDAI	C1527	MRP390HZ-3007	n/a		n/a	
C0522	AEZ2380Y	C1045	MTRP0027-31	C1505	MRP59AMHD-3240	C2000	50 uf/260V	n/a	
C0530	CAE2410Y	C1045	MTRP0027-31	C1550	MRT39AMHD-3240	C2000	50 uf/260V	n/a	
C0534	CAE2412Y	C1045	MTRP0027-31	C1550	MRT39AMHD-3240	C2000	50 uf/260V	n/a	

Electrics - High Temperature R12

Realcold Stock No.	Compressor	Relay		Overload		Capacitor Start		Capacitor Run	
C0015	AE6ZA7	C1030	9660-B467-111	C1523	MRP380AMK-3240	n/a		n/a	
C0018	AE5ZA9	C1040	9660-B467-125	C1523	MRP380AMK-3240	n/a		n/a	
C0028	CAE41ZF11	C1090	9660-B467-145	C1560	MRP36AMHD-3240	C2000	50 uf/260V	n/a	
C0036	CAE4440A	C1100	9660-B467-149	C1556	MRP36AMK-3240	C2030	88 uf/260V	n/a	
C0040	CAJ4452A	C1205	3ARR18A-44B	C1582	MRT26ALKD-3242	C2010	64 uf/260V	n/a	
C0055	CAJ4461A	C1205	3ARR18A-44B	C1581	MRT24ALK-3242	C2010	64 uf/260V	n/a	
C0074	CAJ4492A	C1160	3ARRA18A-98B	C1616	MRT24AJN-3242	C2010	64 uf/260V	n/a	
C0100	CAJ4511A	C1155	3ARR3-U10AA3	C1610	MST16 AHKE 3242	C2037	88 uf/330V	C2050	15 uf/400V
C0017	AZ0387A	C1010	CTP MSDAI	C1508	MSP390HZ-3240	n/a		n/a	
C0020	AZ0411A	C1010	CTP MSDAI	C1508	MSP390HZ-3240	n/a		n/a	

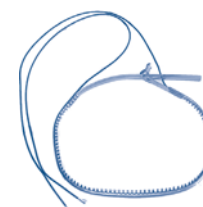


Electrics - Low Temperature R12

Realcold Stock No.	Compressor	Relay		Overload		Capacitor Start		Capacitor Run	
C0010	AEZ1336A	C1010	CTP MSDAI	C1510	MRP 379HK-3240	n/a		n/a	
C0012	AEZ1343A	C1010	CTP MSDAI	C1523	MRP380AMK-3240	n/a		n/a	
C0019	AEZ1360A	C1010	CTP MSDAI	C1523	MRP380AMK-3240	n/a		n/a	
C0022	CAE4ZF11	C1080	9660-B467-138	C1591	MRP63AMK-3240	C2000	50 uf/260V	n/a	
C0024	AEZ1380A	C1070	9660-B467-131	C1540	MRP304AMN-3240	n/a		n/a	
C0026	CAE2410A	C1080	9660-B467-138	C1550	MRT39AMHD-3240	C2000	50 uf/260V	n/a	
C0037	CAE2412A	C1100	9660-B467-149	C1550	MRT39AMHD-3240	C2030	88 uf/260V	n/a	
C0058	CAJ2T12	C1150	3ARR18A-101B	C1605	T0155-C2	C2010	64 uf/260V	n/a	
C0060	AZ4414Y	C1150	3ARR18A-101B	C1630	MRT16APK-3242	C2037	88 uf/330V	n/a	
C0077	CAJ2446L	C1140	3ARR3-U10AB3	C1580	MRT20ALKD-3242	C2037	88 uf/330V	C2050	15 uf/400V
C0105	CAJ2464L	C1155	3ARR3-U10AA3	C1583	MRT00AJZ-3241	C2037	88 uf/330V	C2060	20 uf/400V
C0011	AZ1335A	C1010	CTP MSDAI	C1601	MRP 419HZ-3240	n/a		n/a	
C0014	AZ1340A	C1010	CTP MSDAI	C1601	MRP 419HZ-3240	n/a		n/a	
C0021	AEZ2380C	C1080	9660-B467-138	C1506	MRP61AMGE-3240	C2010	64 uf/260V	n/a	

Crankcase Heaters

Realcold Stock No.	Model	Description	Price \$ Excl. GST
C1001	H-101	54W 240 Volt Suitable for L'Unite AH and TAH compressors Suitable for Kirby AH, AG and CL compressors	
C1003	H-102	60W 240 Volt Suitable for L'Unite AJ and CAJ compressors Suitable for Kirby AJ compressors	
C1005		Crankcase Heater to suit FH, TFH & TAG Series	



C1003



Rotalock Valves - Tecumseh Receivers

Realcold Stock No.	Connection (mm)	Tube Size OD. (mm)	Price \$ Excl. GST
C1922	19.1	6.3	
C1923	19.1	9.5	
C1908	23.5	6.3	
C1909	23.5	9.5	



Rotalock Valves - Tecumseh Compressors

Realcold Stock No.	Connection (mm)	Tube Size OD. (mm)	Suits - Suction	Suits - Discharge	Price \$ Excl. GST
C1911	23.5	12.7	CAJ2446Z CAJ4416Y CAJ4492Y CAJ9480Z	TFH4524Z TFH4540Z (T)FH2480Z FH2511Z FH4518Y FH4525Y (T)FH4513Z TFH2511Z	
C1912	23.5	15.9	CAJ2464Z CAJ4511Y CAJ4517Z CAJ4519Z CAJ9510Z CAJ9513Z	—	
C1913	31.8	15.9	(T)FH2480Z (T)FH2511Z FH4518Y (T)FH4524Z (T) FH4525Y	TAG2516Z TAG2522Z TAG4553Z TAG4561Z TAG4573Z	
C1916	31.8	22.2	(T)FH4531Z TAG2516Z TAG4553Z TFH4540Z	—	

Maximum Torque Settings	Nm	(cm Kg)	Rotalock valves on compressors and receivers (with joint)
Valve Spindle			3/4" thread 56.5 (553)
Small Valves	11.7	(115)	1" thread 84.5 (829)
19 mm square body (138)		14	1 1/4" thread 141 (1382)
22 mm square body (207)		21	1 1/2" thread 197 (1935)
28 mm square body (344)		35	1 3/4" thread 317 (3110)
Valve cap on Rotalock			Connections on parallel mounted versions
1/4" (7/16" thread)	14	(138)	1 3/4" thread 107 (1050)
3/8" (5/8" thread)	30.5	(300)	5/8" thread 45 (442)
1/2" (3/4" thread)	45	(442)	Sight Glass
3/4" (7/8" thread)	59	(580)	1 1/8" 51 (500)



Solid State Relays

Realcold Stock No.	Model	Description	HP/Voltage	Price \$ Excl. GST
C4000	ICG 220	220V Solid State Relay	1/12 HP through 1/2 HP	
C4005	PO 230	230V Solid State Relay	1/12 HP through 1/2 HP	
C4020	RO-82	220V Relay & Overload	1/12, 1/10, 1/8 HP	
C4015	RO-62	220V Relay & Overload	1/6, 1/5 HP	
C4010	RO-42	220V Relay & Overload	1/4, 1/3 HP	
C4030	RCO-820	230V 3 n' 1 Start Relay	1/12, 1/10, 1/8 HP	
C4035	RCO-620	230V 3 n' 1 Start Relay	1/6, 1/5 HP	
C4040	RCO-420	230V 3 n' 1 Start Relay	1/4, 1/3 HP	
C4050	SPP-5	230V Starter Pow-R-Pak	PSG A/C 4000-120000 BTU	
C4062	APR-5	Universal Replacement Relay	Pick up voltage 130V-370V	
C4026	URSC-20	230V Relay Start Capacitor		



RO



RSC



RCO



RO



ICG



PO



PR5

Applications For Solid State Relays

ICG Series:

- One size for all compressors 1/12 through 1/2 HP.
- Will replace most current relays.
- Can be used with or without start capacitor.

PO Series:

- One size for all compressors 1/12 through 1/2 HP.
- Replaces all push-on current type relays.
- For use on compressors with "pin type" terminals.
- Can be used on all capacitor and non-capacitor start motors.
- Lowest resistance solid state relay.
- Will restart a balanced system within one minute.

RO Series:

- Relay and overload in one combination unit.
- Pre-wired for fast, simple installation.
- Superior locked rotor protection eliminates start winding overheating.
- Replaces all hermetic compressor relay and overload units 1/12 through 1/3 HP.
- Can be used in conjunction with a start capacitor.

RCO Series:

- The 3 n' 1 Start Relay replaces all three electrical components, Relay, Overload, and Start Capacitor, on all capillary systems.
- Completely pre-wired.
- Installs quickly and easily, simply by pushing on 3 female pin terminals.

URSC Series:

- One size for all compressors 1/12 through 1/2 HP both domestic and commercial.
- A combined solid state starting relay and capacitor.
- Completely pre-wired.
- Replaces current type relays.
- Provides added boost for hard start and unbalanced systems.
- Prevents low voltage starting problems. (No additional wires required.)



Copeland Scroll™ Compressors - Introduction

Copeland Scroll™ Compressors are manufactured by Emerson Climate Technologies.

With its European Headquarters based in Germany and manufacturing plants all around Europe, Emerson Climate Technologies is the world's largest provider of HVAC/R solutions, delivering simple answers for commercial, industrial, and residential applications.

Standard Copeland Scroll™ Compressor unit includes:

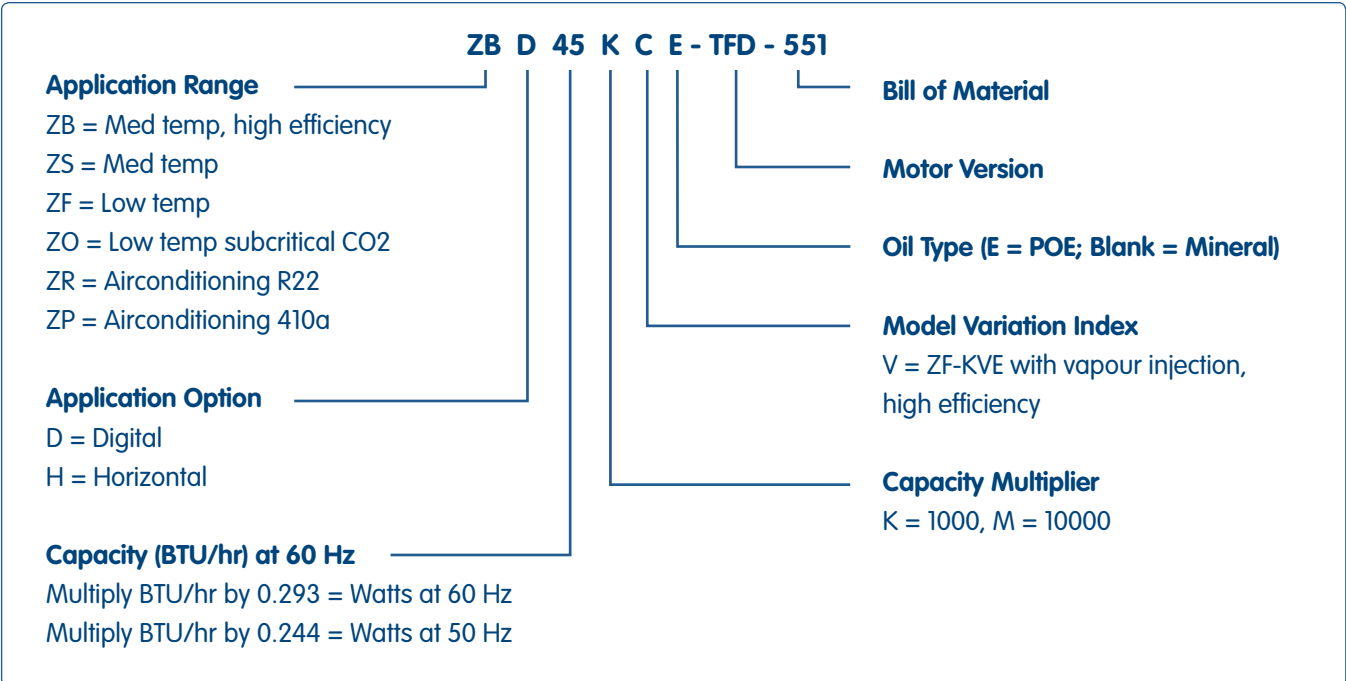
- Compressor filled with ester oil
- Rotolock / Sweat connections
- Oil sight glass
- Schraeder connection for oil fill or drain
- Rubber mountings
- E-protection module on all compressors from 7.5 to 15hp



Features & Benefits

- Designed to meet the specific needs in refrigeration (medium and low temperature applications).
- Wide range of operations (2 to 15hp for all R404A, R134S and R22 applications).
- High efficiencies all year round (continuous scroll flank contact maintained by centrifugal force minimizing gas leakage, maximising efficiency).
- Capacity control (modulation range is continuous from 10 to 100%).
- Compactness (Small footprint with reduced weight by up to 50% compared to standard semi-hermetic compressors).
- Robustness and reliability (Stringent qualification tests ensure maximum reliability, Teflon coated bearings, fewer parts).
- Compressor protection (All 2 to 6HP compressors are supplied with internal thermal protectors and all 7.5hp to 15hp models feature an electronic module).
- Smooth operation (Designed with a discharge check valve).
- Asercom certified performance data (Compressor delivers performance defined and published by the manufacturer via simulative data testing performed by experts and regular measurement at independent bodies).

Model Designation





Copeland Scroll™ - R22 Medium Temp Air Conditioning (220-240/1/50)

Column Key: FIG = Picture #, D = Displacement, W = Weight for all models listed

Realcold Stock No.	Model	Fig.	Nom. Hp	Capacity (w) @ 45° Condensing Temp						Displ. (m³/hr)	Weight (Kg)	Price \$ Excl. GST
				R22								
				-15°C	-10°C	-5°C	0°C	+5°C	+7.2°C			
CS0044	ZR28K3E-PFJ	Fig 2	2.5	2880	3660	4530	5530	6650	7290	6.80	27	
CS0047	ZR36K3E-PFJ	Fig 2	3.0	3550	4430	5460	6620	7940	8690	8.60	29	
CS0049A	ZR42K3E-PFJ	Fig 2	3.5	4190	5220	6410	7790	9370	10270	9.90	30	
CS0050	ZR47K3E-PFJ	Fig 3	4.0	5030	6320	7790	9470	11370	12435	11.0	31	
CS0054	ZR68KCE-PFJ	Fig 3	5.5	6720	8020	10210	12750	14160	15970	6.1	40	

Copeland Scroll™ - R22 Medium Temp Air Conditioning (380-420/3/50)

Column Key: FIG = Picture #, D = Displacement, W = Weight for all models listed

Realcold Stock No.	Model	Fig.	Nom. Hp	Capacity (w) @ 45° Condensing Temp						Displ. (m³/hr)	Weight (Kg)	Price \$ Excl. GST
				R22								
				-15°C	-10°C	-5°C	0°C	+5°C	+7.2°C			
CS0052	ZR61KCE-TFD	Fig 3	5.0	5800	7420	9330	11500	13900	15200	14.4	36	
CS0060	ZR68KCE-TFD	Fig 3	5.5	6720	8020	10210	12750	14160	15970	16.2	39	
CS0062	ZR72KCE-TFD	Fig 3	6.0	7720	9610	11750	14160	16890	18425	17.06	39	
CS0064	ZR81KCE-TFD	Fig 3	6.5	84100	10530	13040	15890	19060	20775	18.75	39	
CS0065	ZR94KCE-TFD	Fig 4	8.0	9130	11480	14060	17000	20410	22395	22.12	57	
CS0067	ZR108KCE-TFD	Fig 4	9.0	11200	14080	17320	20970	25130	27505	24.87	60	
CS0069	ZR125KCE-TFD	Fig 4	10.0	12980	16320	20070	24300	29130	31880	29.08	61	
CS0071	ZR144KCE-TFD	Fig 4	12.0	14770	19020	23680	28890	34780	37630	33.20	61	

R410A Medium Temp Air Conditioning (380-420/3/50)

Realcold Stock No.	Model	Fig	Nom. Hp	Capacity (w) @ 45° Condensing Temp						Displ. (m³/hr)	Weight (Kg)	Price \$ Excl. GST
				R404A								
				-15°C	-10°C	-5°C	0°C	+5°C	+7.2°C			
CS0220	ZP235KCE-TWD-522	Fig 5	20.0	25100	31300	38400	46600	53350	60100	36.30	140	
CS0230	ZP385KCE-TWD-522	Fig 5	30.0	41600	51400	62800	76000	86850	97700	66.70	176	

* A full range of R410A Scroll Compressors is available on indent



Medium Temperature Refrigeration R404A (380-420/1/50)

Realcold Stock No.	Model	Fig	Nom. Hp	Capacity (w) @ 45° Condensing Temp							Displ. (m³/hr)	Price \$ Excl. GST
				R404A								
				-25°C	-20°C	-15°C	-10°C	-5°C	0°C	+7.2°C		
CS0118	ZB30KCE-TFD	Fig 9	4.0	3.19	4.07	5.12	6.37	7.84	9.56	13.85	11.68	
CS0120	ZB38KCE-TFD	Fig 9	5.0	4.01	5.09	6.38	7.91	9.72	11.85	15.40	14.37	
CS0122	ZB45KCE-TFD	Fig 9	6.0	4.73	6.00	7.51	9.31	11.45	13.90	18.05	17.06	
CS0126	ZB58KQE-TFD	Fig 10	8.0	5.25	7.42	9.75	12.35	15.25	18.60	24.10	22.12	
CS0130	ZB76KQE-TFD	Fig 11	10.0	8.12	10.55	13.35	16.55	20.30	24.70	31.90	28.82	
CS0136	ZB92KCE-TWD	Fig 1	13.0	9.00	12.30	16.00	20.10	24.90	30.30	39.10	35.55	
CS0138	ZB11MCE-TWD	Fig 1	15.0	12.45	15.50	19.15	23.40	28.40	34.20	43.50	42.76	

Note: Duty ratings based on 45°C condensing temp & 2K sub-cooling.

Low Temperature Refrigeration R404A (380-420/3/50)

Realcold Stock No.	Model	Fig	Nom. Hp	Capacity (w) @ 45° Condensing Temp							Displ. (m³/hr)	Price \$ Excl. GST
				R404A								
				-25°C	-20°C	-15°C	-10°C	-5°C	0°C	+7.2°C		
CS0017	ZF18K4E-TFD	Fig 6	6.0	5.14	6.39	7.89	9.66	11.75	14.15	18.25	17.06	
CS0024	ZF33K4E-TWD	Fig 7	10.0	8.75	10.90	13.45	16.50	20.10	24.30	31.30	28.78	
CS0028	ZF40K4E-TWD	Fig 8	13.0	10.85	13.45	16.55	20.20	24.60	29.70	38.30	35.55	
CS0032	ZF48K4E-TWD	Fig 8	15.0	13.10	16.35	20.20	24.80	30.10	36.20	46.30	42.76	

Note: Duty ratings based on 45°C condensing temp & 2K sub-cooling.

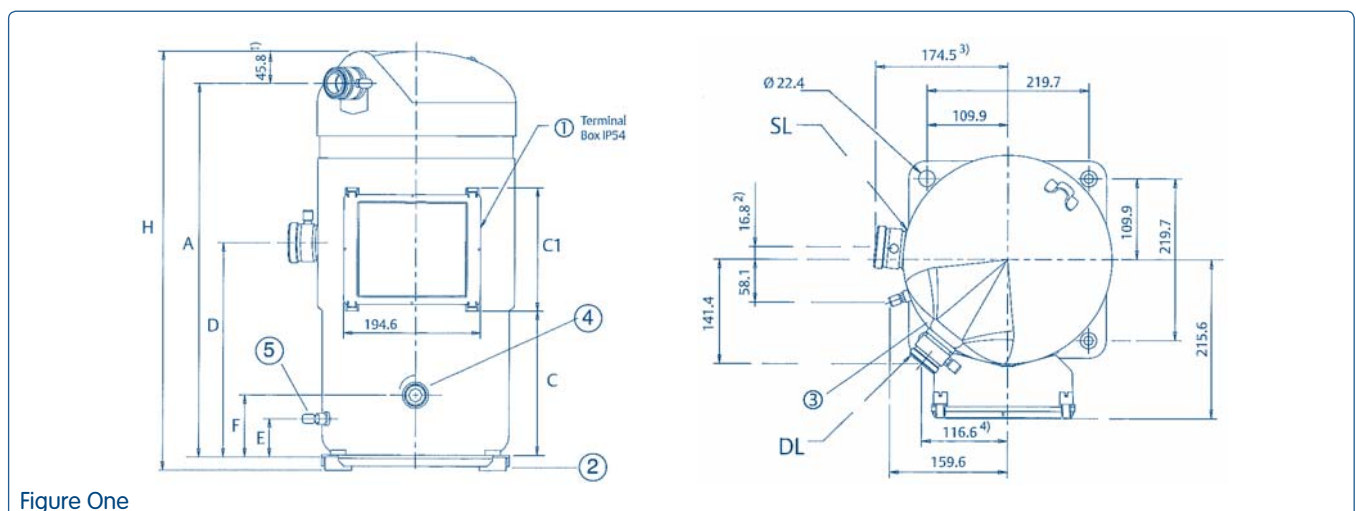


Figure One Dimensions

Model	A +/-3 (mm)	C (mm)	C1 (mm)	D (mm)	E (mm)	F (mm)	H (mm)
ZB92KCE	492	209	176	306	55	88	551
ZB11MCE	533	209	176	306	55	88	596

Note: Specified compressor heights are indicative of series dimensions. Certain model heights vary from specification. Please consult Realcold if the compressor height is crucial.



Air Conditioning

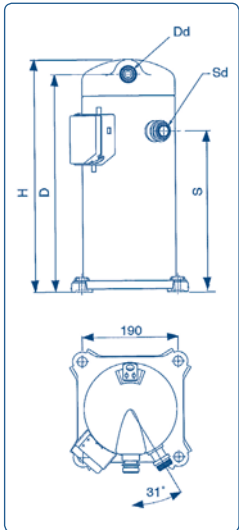


Figure Two

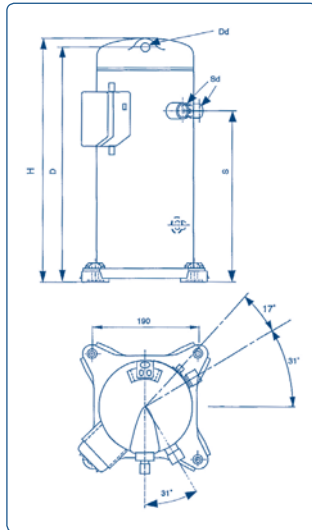


Figure Three

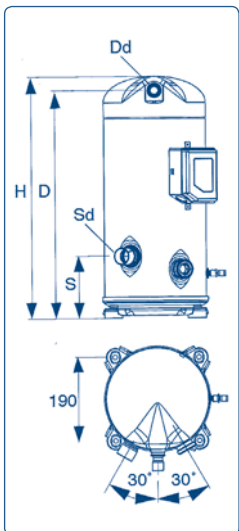


Figure Four

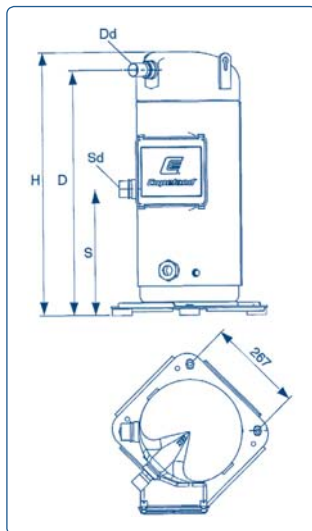


Figure Five

Figure Two Dimensions

Model	H (mm)	D (mm)	S (mm)
ZR28K3E	383	357	264
ZR36K3E	406	380	283.5
ZR42K3E	419	393.8	296.3

Figure Three Dimensions

Model	H (mm)	D (mm)	S (mm)
ZR47K3E	436		
ZR61KCE	476	429	316
ZR68KCE	476	429	316
ZR72KCE	476	429	316
ZR81KCE	462	433	316

Figure Four Dimensions

Model	H (mm)	D (mm)	S (mm)
ZR94KCE	495	463	113
ZR108KCE	552	520	141
ZR125KCE	552	520	141
ZR144KCE	552	520	141

Figure Five Dimensions

Model	H (mm)	D (mm)	S (mm)
ZP235KCE	713	685	352
ZP385KCE	716	678	394

Specified compressor heights are indicative of series dimensions. Certain model heights vary from specification. Please consult Realcold if the compressor height is crucial.



Refrigeration

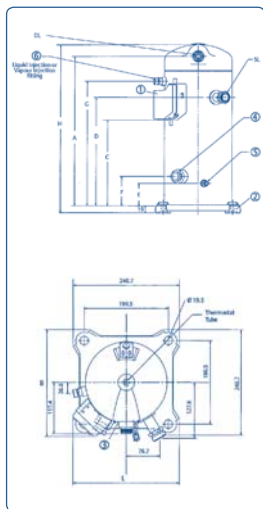


Figure Six

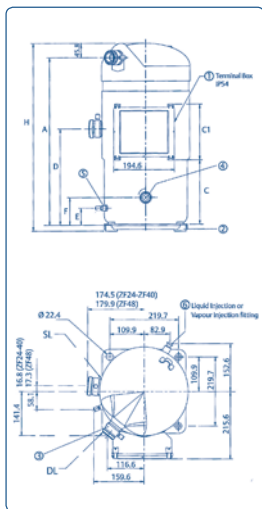


Figure Seven

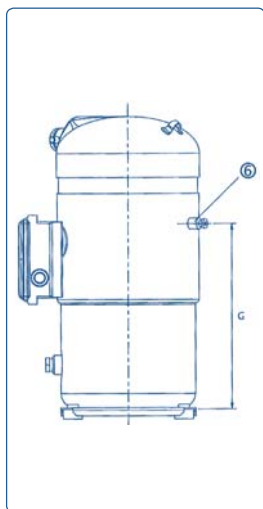


Figure Eight

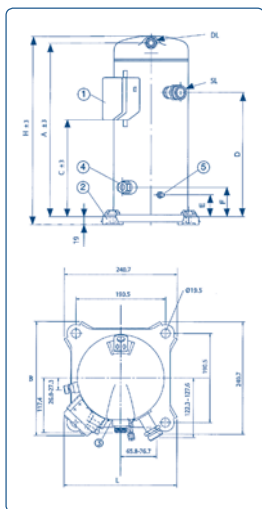


Figure Nine

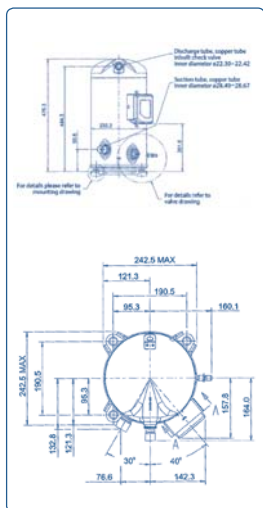


Figure Ten

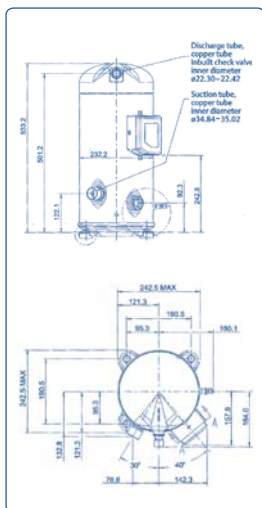


Figure Eleven

Figure Six Dimensions

Model	A +/-3 (mm)	C +/-3 (mm)	D (mm)	E (mm)	F (mm)	G (mm)	H (mm)
ZF18K4E	410	233	297	48	81	341	489

Figure Seven Dimensions

Model	A +/-3 (mm)	C (mm)	C1 (mm)	D (mm)	E (mm)	F (mm)	G (mm)	H (mm)
ZF24K4E	496	209	176	306	55	88	359	561
ZF33K4E	496	209	176	306	55	88	359	561

Figure Eight Dimensions

Model	A +/-3 (mm)	C (mm)	C1 (mm)	D (mm)	E (mm)	F (mm)	G (mm)	H (mm)
ZF40K4E	504	209	176	306	55	88	366	569
ZF48K4E	533	209	176	306	55	88	366	598

Figure Nine Dimensions

Model	A +/-3 (mm)	C (mm)	C1 (mm)	D (mm)	E (mm)	F (mm)	H (mm)
ZB30KCE	410	233	—	297	48	81	457
ZB38KCE	410	233	—	297	48	81	457
ZB45KCE	410	233	—	297	48	81	457

Figure Ten Dimensions

Model	H (mm)	W (mm)	L (mm)
ZB58KQE	477	284.2	263.6

Figure Eleven Dimensions

Model	H (mm)	W (mm)	L (mm)
ZB76KQE	546.1	284.2	263.6

Specified compressor heights are indicative of series dimensions. Certain model heights vary from specification. Please consult Realcold if the compressor height is crucial.



Copeland Scroll™ Compressors Accessories

Realcold Stock No.	Description	Price \$ Excl. GST
CCS1000	Start Capacitor ZR68	
CCS1001	Start Capacitor ZR28 - 47	
CCS1002	Run Capacitor ZR68	
CCS1003	Run Capacitor ZR28	
CCS1004	Run Capacitor ZR42 - 47	
CCS1005	Run Capacitor ZR36	
CCS1006	C/Case Heater ZR84 -144, ZB58-76	
CCS1007	C/Case Heater ZR22 - 81, ZB30-45	
CCS1008	Crankcase Heater ZR16 - 19M	
CCS1009	Suction Rotalock Seal	
CCS1010	Suction Rotalock Seal	
CCS1011	Potential Relay ZR68	
CCS1012	Current Relay ZF	
CCS1013	Potential Relay ZR28 - 42	
CCS1014	Summit Temp T/Stat	
CCS1017	Valve Kit ZB58	
CCS1018	Valve Kit ZF18	
CCS1019	Valve Kit ZF24	
CCS1020	Valve Kit ZF33 - 40, ZB92	
CCS1021	Valve Kit ZF48, ZB11	
CCS1023	CC Heater ZF40 - 48, ZB92	
CCS1024	Crankcase Heater ZP385	
CCS1025	Crankcase Heater ZP235	



Frascold Compressors

FRASCOLD have earned their reputation as a leading world supplier and manufacturer of high quality semi-hermetic compressors which are ideally suited for today's conscientious environment. This has been achieved by using the latest technology, only the best materials available, combined with strict quality control and testing. When installing Frascold you can be assured of superior reliability, proven energy efficiency and long term trouble free operation.

STANDARD EQUIPMENT

The compressors are supplied with suction and discharge valves (sweat connections) rubber vibration absorbers, oil lubrication charge, nitrogen charge (1 bar) to protect compressor against humidity, oil sight glass and protection devices. V, Z and W series are equipped with oil pump and OPS1 Oil pressure protection switch. Compressors are coated with anti-rust protective primer and blue enamel coat.

PROTECTION DEVICES

For all compressors, protection is performed by means of a series of PTC thermistors placed into the stator windings of the electric motor and connected to a Kriwan INT69 electronic control module. V, Z and W series are supplied with discharge gas high temperature protection composed of a PTC thermistor sensor also connected to the electronic control module. PTC thermistor sensor is supplied on request for Q and S series compressors.

LUBRICATION

For compressors of A, B, C, D, F, Q and S series, lubrication is carried out by centrifugation, with a special oil thrower disc. V, Z and W series compressors lubrication is performed by a high pressure oil pump and the compressor includes oil filter and oil pressure connections with OPS1 Oil pressure protection switch.

member of:



Institutional presence within ASERCOM



ASERCOM

Association of European Compressor & Controls Manufacturers

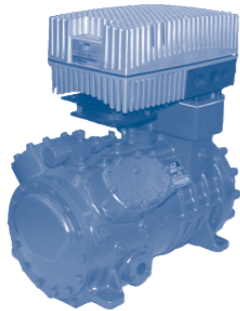
ASERCOM AIM

Creation of standards for performance and safety, focusing on better Environment protection, servicing the refrigeration industry and its customers

PERFORMANCE DATA

A Certified product guarantees a neutral valuation of its performance

FRASCOLD has more than 80 certified compressors



- Integrated soft-start offers reduced compressor start up current
- Less compressor starts reduces mechanical stresses and wear
- Stable suction pressure - better control and less risk of liquid slug
- Ideal for applications with multiple loads such as pubs & clubs
- Improved energy efficiency resulting in reduced energy costs
- Easy installation with simple direct mounting to compressor

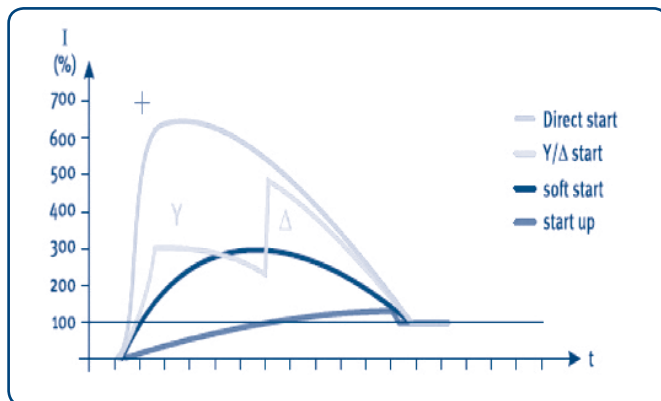
VARIABLE SPEED DRIVE INVERTER

Frascolds range of high quality VSD Inverters, which can be directly fitted to their A, B, D & Q-series compressors.

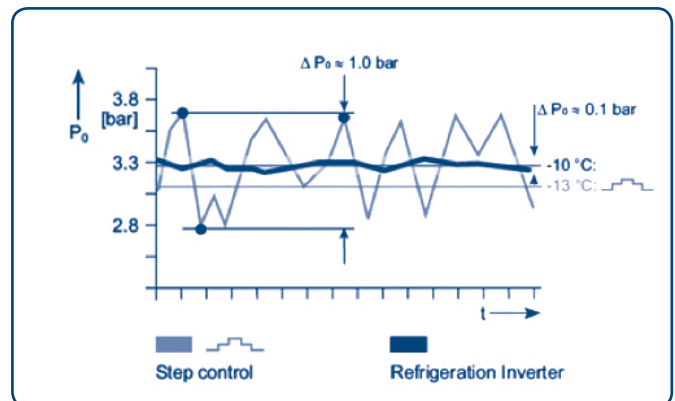
Three inverter sizes are available to suit the following compressor models:

2.2kw	(Max 6.5A)	A & B Series compressors
4.0kw	(Max 9.5A)	D Series compressors
7.5kw	(Max 20A)	Q Series compressors

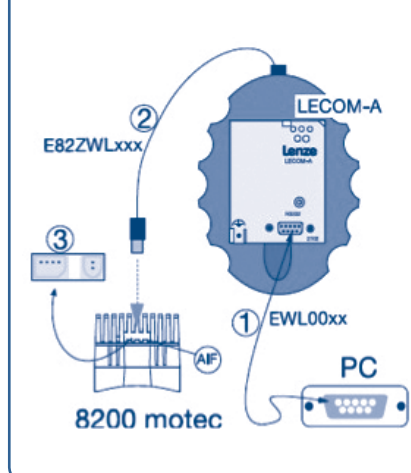
Reduced Start-up Current



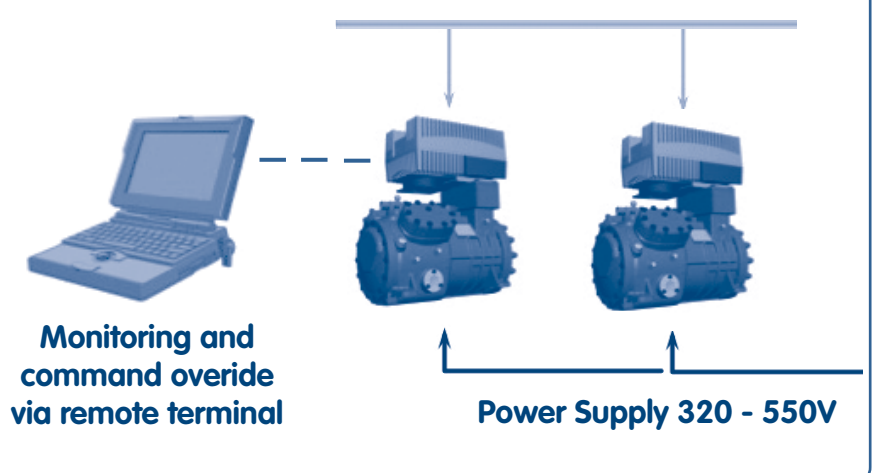
Stable Suction Pressure



Optional Keyboard or PC Interface



Simple Connection

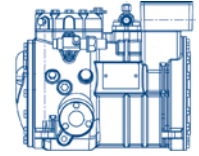


☎ Please contact Reacold's technical department for further details.



A & B-Series - 2 Cylinder (240/1/50)

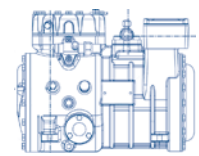
Realcold Stock No.	Model	Nom Hp	Disp M ³ /HR	R404A		R134a	R22	Price \$ Excl. GST
				-25	-5	-5	-5	
C5016	A1-6Y 1ph	1.0	5.5	1330	3250	1960	2980	
C5033	A1.5-7Y 1ph	1.5	6.9	1680	4160	2570	3940	
C5038	B1.5-9.1Y 1ph	1.5	8.9	2050	5160	3300	5190	
C5044	B2-10.1Y 1ph	2.0	9.9	2340	5710	3800	5870	



A & B Series

A, B & D-Series - 2 Cylinder (415/3/50)

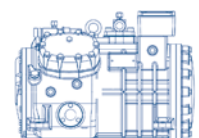
Realcold Stock No.	Model	Nom Hp	Disp M ³ /HR	R404A		R134a	R22	Price \$ Excl. GST
				-25	-5	-5	-5	
C5018	A1-6Y 3ph	1.0	5.5	1330	3250	1960	2980	
C5031	A1.5-7Y 3ph	1.5	6.9	1680	4160	2570	3940	
C5036	B1.5-9.1Y 3ph	1.5	8.9	2050	5160	3300	5190	
C5046	B2-10Y 3ph	2.0	9.9	2340	5710	3800	5870	
C5048	D2-11.1Y 3ph	2.0	11.3	2710	6750	4100	6640	
C5051	D2-13.1Y 3ph	2.0	13.2	3330	—	4890	—	
C5061	D3-13.1Y 3ph	3.0	13.2	—	7940	4740	7920	
C5063	D3-15.1Y 3ph	3.0	15.4	3990	9200	5580	8890	
C5071	D3-18.1Y 3ph	3.0	17.9	4690	—	6770	—	
C5078	D4-18.1Y	4.0	17.9	—	10880	6990	10850	



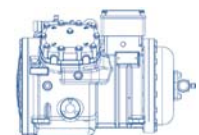
D Series

Q & S-Series - 4 Cylinder (415/3/50)

Realcold Stock No.	Model	Nom Hp	Disp M ³ /HR	R404A		R134a	R22	Price \$ Excl. GST
				-25	-5	-5	-5	
C5072	Q4-20.1Y	4.0	19.8	4760	—	7230	—	
C5099	Q5-21.1Y	5.0	21.2	—	12440	7330	12350	
C5094	Q5.25.1Y	5.0	24.7	5970	14700	9610	14210	
C5097	Q5-33.1Y	5.0	32.7	8380	—	11750	—	
C5098	Q7-28.1Y	7.5	28.0	—	17140	9950	17080	
C5102	Q7-33.1Y	7.5	32.7	—	19780	11900	19560	
C5104	Q7-36.1Y	7.5	35.9	9970	—	14160	—	
C5124	S7-33Y	7.5	32.7	8240	19780	11900	19560	
C5106	S8-42Y	8.0	41.3	10820	—	16660	—	
C5108	S12-42Y	12.0	41.3	—	24340	16560	23700	
C5134	S10-52Y	10.0	51.5	13580	—	19190	—	
C5138	S15-52Y	15.0	51.5	—	30920	18970	29360	
C5142	S15-56Y	15.0	56.0	15080	—	21720	—	
C5145	S20-56Y	20.0	56.0	—	35530	21760	33940	



Q Series

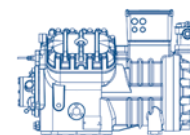


S Series



V Series - 4 Cylinder (415/3/50)

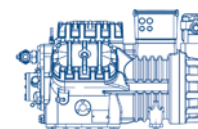
Realcold Stock No.	Model	Nom Hp	Disp M ³ /HR	R404A		R134a	R22	Price \$ Excl. GST
				-25	-5	-5	-5	
C5155	V15-59Y	15	58.5	15740	—	22890	—	
C5160	V15-71Y	15	70.8	18540	—	27130	—	
C5165	V20-59Y	20	58.5	—	35790	22980	35560	
C5172	V20-84Y	20	83.8	20920	—	29850	—	
C5185	V25-71Y	25	70.8	—	42950	26120	42120	
C5186	V25-93Y	25	93.1	22020	—	34920	—	
C5192	V30-84Y	30	83.8	—	51690	29980	51160	
C5193	V32-93Y	32	93.1	—	55920	33040	55870	



V Series

Z Series - 6 Cylinder (415/3/50)

Realcold Stock No.	Model	Nom Hp	Disp M ³ /HR	R404A		R134a	R22	Price \$ Excl. GST
				-25	-5	-5	-5	
C5190	Z25-106Y	25	106.2	26600	—	37170	—	
C5198	Z30-126Y	30	125.7	30860	—	45710	—	
C5200	Z35-106Y	35	106.2	—	65460	40150	64810	
C5206	Z40-126Y	40	125.7	—	76480	47390	74590	
C5210	Z40-154Y	40	154.4	41110	—	55260	—	
C5215	Z50-154Y	50	154.4	—	93600	56560	91020	

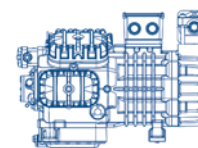


Z Series

- Ratings at 45deg Condensing, European standard EN12900 / 20deg Suction gas temp / 0deg Subcooling
- Please refer to Frascold selection software or contact Realcold for ratings at other conditions.
- Compressors do not come with crank case heaters. Please order separately if required.

W Series - 8 Cylinder (415/3/50)

Realcold Stock No.	Model	Nom Hp	Disp M ³ /HR	R404A		R134a	R22	Price \$ Excl. GST
				-25	-5	-5	-5	
C5233	W50-187Y	50	186.1	44380	113570	67520	111300	
C5234	W60-187Y	60	186.1	46480	115950	68620	111950	
C5235	W60-206Y	60	205.8	51290	127370	77470	128300	
C5238	W70-206Y	70	205.8	51150	126910	76290	126740	



W Series





Technical Data

Realcold Stock No.	Model	Nom Hp	Amps (Dol)		No of Cylind.	Disp. M ³ / HR	Oil (Litres)	Footprint		Valve Size		Weight (kg)
			MRA	LRA				L (mm)	W (mm)	Disch (Inch)	Suction (Inch)	
C5016	A1-6Y 1ph	1	6.2	23.6	2	5.5	1.2	234	194	1/2	5/8	36
C5018	A016Y	1	3.6	13.6	2	9.8	1.2	234	194	5/8	3/4	40
C5033	A1.5-7Y 1ph	1.5	7.9	35.8	2	6.9	1.2	234	194	1/2	5/8	36
C5038	B1.5-9.1Y 1ph	1.5	10.2	46.6	2	8.96	1	329	237	1/2	5/8	38
C5033A	A157Y	1.5	4.5	20.6	2	6.9	1.2	234	195	1/2	5/8	36
C5036	B1.5-9.1Y 3ph	1.5	5.9	26.8	2	6.9	1	329	237	1/2	5/8	38
C5044	B2-10.1Y 1ph	2	11.7	62.5	2	9.8	1.2	234	194	5/8	3/4	40
C5046	B2-10Y 3ph	2	6.7	35.9	2	9.8	1.2	234	194	5/8	3/4	40
C5048	D2-11.1Y 3ph	2	7.1	35.9	2	11.3	1.2	234	194	5/8	7/8	45
C5051	D2-13.1Y 3ph	2	7.1	35.9	2	13.8	1.2	234	194	5/8	7/8	45
C5061	D3-13.1Y 3ph	3	8.8	43.7	2	13.8	1.2	234	194	5/8	1 1/8	49
C5063	D3-15.1Y 3ph	3	10	43.7	2	15.3	1.2	234	194	5/8	1 1/8	49
C5071	D3-18.1Y 3ph	3	10	43.7	2	17.9	1.2	234	194	5/8	1 1/8	49
C5078	D4-18.1Y	4	12.5	52	2	17.9	1.2	234	194	5/8	1 1/8	51
C5072	Q4-20.1Y	4	10.1	53.2	4	19.8	1.8	312	246	3/4	1 1/8	74
C5099	Q5-21.1Y	5	11.6	63.1	4	21.2	1.8	312	246	3/4	1 1/8	79
C5094	Q5.25.1Y	5	12.7	63.1	4	24.7	1.8	312	246	7/8	1 1/8	79
C5096	Q5-28.1Y	5	14	63.1	4	27.9	1.8	312	246	7/8	1 3/8	79
C5097	Q5-33.1Y	5	14.4	63.1	4	32.7	1.8	312	246	1 1/8	1 3/8	79
C5098	Q7-28.1Y	7.5	17.6	87.3	4	27.9	1.8	312	246	1 1/8	1 3/8	79
C5102	Q7-33.1Y	7.5	20	87.3	4	32.7	1.8	312	246	1 1/8	1 3/8	79
C5104	Q7-36.1Y	7.5	19.4	87.3	4	35.9	1.8	312	246	1 1/8	1 3/8	79
C5106	S8-42Y	8	20.3	90.3	4	41.3	1.8	292	266	1 1/8	1 3/8	117
C5108	S12-42Y	12	22.4	102.1	4	41.3	3.3	292	266	1 1/8	1 3/8	120
C5108	S12-42Y	15	22.4	102.29	4	41.32	2.9	550	405	1 1/8	1 3/8	120
C5138	S15-52Y	15	32.4	117.1	4	51.5	2.9	550	405	1 1/8	1 5/8	126
C5142	S15-56Y	15	30.7	117.1	4	56	3.3	292	266	1 1/8	1 5/8	130
C5155	V15-59Y	15	31.1	117.1	4	58.5	4.5	381	305	1 1/8	1 5/8	170
C5160	V15-71Y	15	32.2	117.1	4	70.8	4.5	381	305	1 1/8	1 5/8	170
C5145	S20-56Y	20	38.4	136.2	4	56	3.3	292	266	1 1/8	1 5/8	132
C5165	V20-59Y	20	35.3	136.2	4	58.5	4.5	381	305	1 1/8	1 5/8	174
C5172	V20-84Y	20	42.6	145.2	4	83.8	4.5	381	305	1 1/8	1 5/8	180
C5185	V25-71Y	25	43.5	202.7	4	70.8	4.5	381	305	1 3/8	2 1/8	184
C5186	V25-93Y	25	52.3	202.7	4	93.1	4.5	381	305	1 3/8	2 1/8	190
C5190	Z25-106Y	25	53.6	202.7	6	106.2	4.5	381	305	1 3/8	2 1/8	220
C5192	V30-84Y	30	49.2	186.2	4	83.8	4.5	381	305	1 3/8	2 1/8	187
C5198	Z30-126Y	30	55.7	186.2	6	125.7	7.5	381	305	1 3/8	2 1/8	229
C5193	V32-93Y	32	53.1	239.2	4	93.1	4.5	381	305	1 3/8	2 1/8	192
C5200	Z35-106Y	35	60.2	239.2	6	106.2	4.5	381	305	1 3/8	2 1/8	223
C5206	Z40-126Y	40	71.9	273	6	125.7	7.5	381	305	1 5/8	2 5/8	240
C5208	Z40-154Y	40	77.9	273	6	154.4	7.5	381	305	1 5/8	2 5/8	240
C5215	Z50-154Y	50	90.4	321.4	6	154.4	7.5	381	305	1 5/8	2 5/8	244
C5234	W60-187Y	60	103.5	455	8	186.1	8	458	305	1 5/8	3 1/8	315
C5238	W70-206Y	70	116.8	548	8	205.8	8	458	305	2 1/8	3 1/8	328



Crankcase Heaters

Realcold Stock No.	Frascold Item No.	Item	Suits Series	Price \$ Excl. GST
R0553	T00CH13RIC	50w Crank Case Heater	A, B & D	
R0552	T00CH1RIC	70w Crank Case Heater	F, Q, S & T	
R0555	T00CH9RIC	150w Crank Case Heater	V, Z & W	



Motor Protection

Realcold Stock No.	Frascold Item No.	Item	Suits Series	Price \$ Excl. GST
R0820	T00ECA01	Motor Protection INT69	A, B, D, F, Q, S	
R0822	T00ECA11	Motor Protection INT69TM	V, Z, W	



Oil Spares

Realcold Stock No.	Frascold Item No.	Item	Suits Series	Price \$ Excl. GST
R0825	T00EC1620	DELTA-PII Oil Pressure Safety Switch	All models	
R0726	T00SK210000	Oil Pump Assembly W	W series	
R0727	T00SK210100	Oil Pump Assembly V-Z	V & Z series	
R0735	T00SK190100	Oil Strainer Assembly	All models	
R0730	T00SK170100	Sightglass	All models	



DELTA-PII

Capacity Control - Unloader Head

Realcold Stock No.	Frascold Item No.	Item	Suits Series	Price \$ Excl. GST
C5222	T00SK250150	Capacity Control Q (Coil Included)	Q series	
C5221	T00SK220100	Capacity Control S (Coil Included)	S series	
C5225	T00SK220200	Capacity Control V-Z-W (Coil Included)	V, Z, W series	



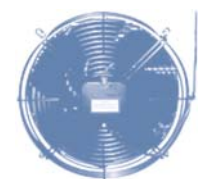
Start Unloader Head

Realcold Stock No.	Frascold Item No.	Item	Suits Series	Price \$ Excl. GST
C5226	T00SK250150	Start Unloader Q (Coil Included)	S Series	
C5226A	T00SK250100	Start Unloader S (Coil Included)	S Series	
C5227	T00SK250200	Start Unloader V-Z-W (Coil Included)	V, Z, W Series	

* Can be used in conjunction with PWS to significantly reduce compressor starting current.

Head Cooling Fans (240/1/50)

Realcold Stock No.	Frascold Item No.	Item	Suits Series	Price \$ Excl. GST
C5805	SZ-FM1	Head Cooling Fan A-F 1Ph	A, B, D & F	
C5803	SZ-FM2S/001	Head Cooling Fan S 1Ph	S Series	
C5810	SZ-FM9	Head Cooling Fan Q 1Ph	Q Series	
C5804	SZ-FM2V/001	Head Cooling Fan V 1Ph	V Series	
C5806	SZ-FM3/001	Head Cooling Fan Z 1Ph	Z Series	
C5807	SZ-FM4/001	Head Cooling Fan Z 1Ph	W Series	



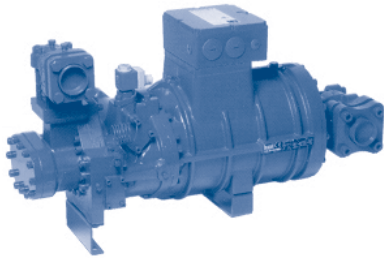
Please contact Realcold for information and availability of Frascold spares and accessories not listed

Spares Parts List

To Suit	Gasket Kit Complete	Valve Plate Kit Complete	Valve Plate Gasket		Service Valve Kits	
			Body	Head	Suction	Discharge
A075Y, A157Y	T00SK0200	T00SK12501	S1351031E	S1411032	T00SK100120	T00SK100110
A076Y, A016Y, A158Y, B159Y, B159.YY	T00SK0300	T00SK12502	S1451031E	S1411032	T00SK100120	T00SK100110
B210Y	T00SK0300	T00SK14501	S1451031E	S1411032	T00SK100130	T00SK100120
B210.YY	T00SK0405	T00SK14505	S1461031	S1411032	T00SK100130	T00SK100120
D211Y, D211.YY, D215.YY, D215	T00SK0500	T00SK24800	S2341031	S2451032	T00SK100330	T00SK100310
Q521Y, Q521.YY, Q519, Q519.YY	T00SK1230	T00SK24800	S2341031	S2451032	T00SK100520	T00SK100320
Q528.YY	T00SK1230	T00SK24800	S2341031	S2451032	T00SK100530	T00SK100330
Q728Y	T00SK1220	T00SK24802	S2451031	S2451032	T00SK100530	T00SK100340
Q728.YY	T00SK1230	T00SK24800	S2341031	S2451032	T00SK100530	T00SK100340
D213Y, D213.YY,	T00SK0600	T00SK24801	S2451031	S2451032	T00SK100330	T00SK100310
D313Y, D313.YY, D318Y, D318.YY	T00SK0600	T00SK24802	S2451031	S2451032	T00SK100340	T00SK100310
D315Y, D315.YY	T00SK0500	T00SK24803	S2341031	S2451032	T00SK100340	T00SK100310
D418Y, D418.YY	T00SK0600	T00SK24802	S2451031	S2451032	T00SK100340	T00SK100320
D416, D416.YY	T00SK0500	T00SK24803	S2341031	S2451032	T00SK100340	T00SK100320
F416Y, F416.YY	T00SK0700	T00SK36200	S4321031A	S3631032	T00SK100520	T00SK100320
F519Y	T00SK0800	T00SK26202	S4381031A	S3631032	T00SK100520	T00SK100320
Q519, Q519.YY	T00SK1230	T00SK24800	S2341031	S2451032	T00SK100520	T00SK100320
*Q420	—	TBA	—	—	TBA	—
Q525Y, Q525.YY	T00SK1220	T00SK24801	S2451031	S2451032	T00SK100520	T00SK100330
Q725.YY	T00SK1220	T00SK24802	S2451031	S2451032	T00SK100520	T00SK100330
Q528Y	T00SK1220	T00SK24801	S2451031	S2451032	T00SK100530	T00SK100330
Q533.YY, Q733.YY	T00SK1220	T00SK24802	S2451031	S2451032	T00SK100530	T00SK100340
S533Y, S533.YY	T00SK1300	T00SK44900	S4321031A	S3631032	T00SK100600	T00SK100520
S733Y	T00SK1300	T00SK36200	S4321031A	S3631032	T00SK100600	T00SK100520
*Q736.YY	—	TBA	—	—	TBA	—
S739Y	T00SK1400	T00SK36201	S4381031A	S3631032	T00SK100600	T00SK100520
S1039Y	T00SK1400	T00SK36202	S4381031A	S3631032	T00SK100600	T00SK100520
*Q842Y, Q1242Y	—	TBA	—	—	TBA	—
S1051Y	T00SK1500	T00SK36205	S4481031A	S3631032	T00SK100600	T00SK100520
S1551Y	T00SK1600	T00SK36206	S4491031A	S3631032	T00SK100640	T00SK100520
S1556Y, S2056Y	T00SK1700	T00SK44906	S4451031A	S3631032	T00SK100640	T00SK100520
V1559Y	T00SK1800	T00SK49500	S6301031C	S8701032	T00SK103700	T00SK100610
V2059Y	T00SK1800	T00SK49501	S6301031C	S8701032	T00SK103700	T00SK100610
V1571Y, Z25106	T00SK1900	T00SK49502	S6351031D	S8701032	T00SK103700	T00SK100610
V2571Y	T00SK2000	T00SK49503	S635103D	S8701032	T00SK103800	T00SK100600
V2084Y	T00SK2100	T00SK49504	S6401031C	S8701032	T00SK103700	T00SK100610
V3084Y	T00SK2200	T00SK49505	S6401031C	S8701032	T00SK103800	T00SK100600
V2593Y	T00SK2210	T00SK87003	S8601031B	S8701032	T00SK103800	T00SK100600
V3293Y	T00SK2210	T00SK87004	S8601031B	S8701032	T00SK103800	T00SK100600
V25103Y	T00SK2220	T00SK87005	TBA	TBA	T00SK103800	T00SK100600
Z25106Y	T00SK2400	T00SK49502	S6351031D	S8701032	T00SK103800	T00SK103711
Z35106Y	T00SK2400	T00SK49503	S6351031D	S8701032	T00SK103800	T00SK103711
Z30126Y	T00SK2500	T00SK49504	S6401031C	S8701032	T00SK103800	T00SK103711
Z40126Y	T00SK2500	T00SK49505	S6401031C	S8710032	T00SK103810	T00SK103701
Z40154Y	T00SK2600	T00SK65005	S6510131D	S8701032	T00SK103810	T00SK103700
Z50154	T00SK2600	T00SK65006	S6501031D	S8701032	T00SK103810	T00SK103700
W60187Y	T00SK2900	T00SK87004	S8601031B	S8701032	T00SK103910	T00SK103700
W70206Y	T00SK3000	T00SK65006	S6501031D	S8701032	T00SK103910	T00SK103720

* Please discuss with your Realcold branch.

Listed prices & specifications are subject to alteration without notice.



Frascold Screw Compressors

FRASCOLD Twin screw compressors are available in three ranges. Each range is specifically designed to provide superior performance for their nominated application and temperature range. Coupled with optimised motors, state of the art compressor protection and long life, extra heavy duty bearings, all models provide high energy efficiency, unsurpassed performance and long-term reliability where a low noise, high capacity solution is required.

FEATURES

Screw Profiles

The compressors are two-shaft rotary displacement design, with innovative profiles of the screws (Ratio 5:6 between male & female screw). The shafts are fitted with large roller bearings sized to bear both radial and axial loads, resulting in reduction of friction, vibration and lower noise levels. Discharge check valve, located in the service valve prevents counter rotation when compressor stops operating.

High Efficiency Electric Motor

Electric motor is two-pole, three phase asynchronous type. The rotor is fitted to the shaft of the male screw. Cooling of the motor is carried out by the suction gas flowing through slots in the rotor, also causing any liquid refrigerant to be separated due to the centrifugal action. Power Supply: 400/3/50 Connection: Part Winding Start (PWS) 50% + 50% current distribution

Capacity Control

All compressors are fitted with capacity control, which operates by means of a three-way solenoid valve, directing the flow of oil under pressure, to a slide piston mechanism. At full load, oil under pressure pushes against the piston, opposing the spring and closing the capacity control device. At reduced load conditions, the oil is diverted to the suction side of the compressor, and the spring forces the piston to open the capacity control device, which reduces the displacement and consequently reduces the capacity of the compressor. CXH models are also available with optional stepless capacity control system offering 25% to 100% control.

Electronic Protection Device

All Frascold screw compressors are equipped with electronic protection KRIWAN INT 68 FRY, complete with thermistor sensors, performing the following functions:

- Control of maximum temperature of the electric motor +120°C, through six PTC thermistors, fitted to the stator winding.
- Control of the maximum discharge temperature +120°C through PTC sensor placed on compressor discharge side.
- Control of rotation direction of the electric motor and phase sequence.
- Protection of phase and voltage failures.
- Control of breakage and short circuit in chain of PTC sensors.

Standard Equipment

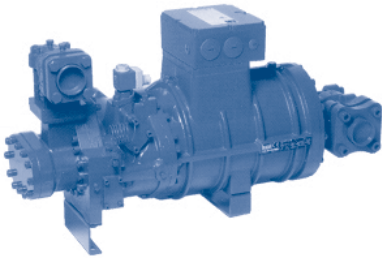
Included with Compressor:

- Capacity control device
- Suction service valve with solder sleeve
- Discharge service valve with check valve
- Integral electronic protection, includes:
 - Sensor for maximum discharge temperature
 - Sensor for maximum temperature of electric motor
 - KRIWAN Electronic module

Not Included With Compressor:

- Vibration absorbers
- Components for external oil piping, includes:
 - Oil strainer assembly with core
 - Solenoid valve with coil and plug
 - Electronic module for oil flow switch
 - Oil flow switch
 - Oil sight glass





R-TSH SERIES: This range comprises of eight models from nominal 40HP to 120HP, with displacements from 120 to 360 cubic meters per hour at 50Hz. The R-TSH range is suited to air conditioning and medium/ high temperature applications, in the temperature operating range from + 7.5°C to – 20°C SST on R404A/R507A; +12.5°C to -20°C on R22; +20°C to -10°C on R134a.

RTSH - Med / High Temperature

Realcold Stock No.	Model	Nom Hp	Amps Mra	Disp M ³ /HR	Cap Steps %	Watts @ -5 SST (ECO)		Price \$ Excl. GST
						R404A	R134a	
C5261	R-TSH8 40 120Y	40	85	120	100-50	81000	52400	
C5262	R-TSH8 50 150Y	50	108	150	100-50	103600	64800	
C5263	R-TSH8 60 186Y	60	126	186	100-50	127400	79100	
C5264	R-TSH8 70 210Y	70	148	210	100-50	144900	90800	
C5265	NRH3 80 240Y	80	170	240	100-75-50	165700	103900	
C5266	NRH3 90 270Y	90	185	270	100-75-50	187900	117500	
C5267	NRH4 100 300Y	100	216	300	100-75-50	207800	129600	
C5268	NRH5 120 360Y	120	230	360	100-75-50	251500	157000	



R-TSL SERIES: This range comprises of eight models from nominal 30HP to 100HP, with displacements from 120 to 360 cubic meters per hour at 50Hz. The R-TSL range is suited to low temperature applications, in the temperature operating range from -20°C to -45°C on R404A/ R507A.

RTSL - Low Temperature

Realcold Stock No.	Model	Nom Hp	Amps Mra	Disp M ³ /HR	Cap Steps %	Watts @ -25 SST (ECO)	Price \$ Excl. GST
						R404A	
C5271	R-TSL1 30 120Y	30	51	120	100-50	39200	
C5272	R-TSL1 40 150Y	40	68	150	100-50	52200	
C5273	R-TSL1 50 186Y	50	89	186	100-50	65400	
C5274	R-TSL1 60 210Y	60	108	210	100-50	71500	
C5275	NRL3 70 240Y	70	126	240	100-75-50	85600	
C5276	NRL3 80 270Y	80	148	270	100-75-50	96300	
C5277	NRL4 90 300Y	90	170	300	100-75-50	106600	
C5278	NRL5 100 360Y	100	185	360	100-75-50	129500	

- Ratings at 50deg Condensing at European standard EN12900 / 10deg Suction gas superheating / with economiser
- Oil cooler required for most applications below -20deg SST. Please contact Realcold for details and selection.
- Please refer to Frascold selection software or contact Realcold for ratings at other conditions.



CXHO SERIES: This range of compact twin screw compressors comprises of twenty seven models ranging from a nominal 50HP to 300HP, with displacements from 199 to 912 cubic meters per hour at 50Hz. The CXH range is designed for close coupled systems and incorporates a high efficiency oil separator and oil control system. Suited to applications in the operating temperature range from +12.5°C to -15°C SST on R22/ R407C/ R134a/ R404A.

- Ratings at 50deg Condensing temp at European standard EN12900 / 10deg Suction gas superheating / with economiser
- CXH Compressors are also suitable for operation with R404A/R507C & R134a for medium temperature applications.

CXHO - Medium Temperature

Realcold Stock No.	Model	Nom Hp	Amps Mra	Disp M ³ /HR	Cap Steps %	Watts @ -5 SST (ECO)		Price \$ Excl. GST
						R407C	R134a	
CFS0020	CXH01-50-199Y	50	80	199	25-50-75-100	—	132500	
CFS0022	CXH01-60-230Y	60	98	230	25-50-75-100	—	155000	
CFS0024	CXH01-70-264Y	70	125	264	25-50-75-100	—	171300	
CFS0026	CXH01-80-298Y	80	145	298	25-50-75-100	—	197600	
CFS0028	CXH01-90-340Y	90	160	340	25-50-75-100	—	187230	
CFS0030	CXH01-100-370Y	100	175	370	25-50-75-100	—	235100	
CFS0034	CXH51-110-398Y	110	180	398	25-50-75-100	—	275800	
CFS0036	CXH51-125-468Y	125	198	468	25-50-75-100	—	318300	
CFS0038	CXH51-140-538Y	140	221	538	25-50-75-100	—	357200	
CFS0042	CXH91-160-620Y	160	283	620	25-50-75-100	—	300770	
CFS0044	CXH91-180-702Y	180	315	702	25-50-75-100	—	427200	
CFS0046	CXH91-210-810Y	210	356	810	25-50-75-100	—	550000	
CFS0048	CXH91-240-912Y	240	427	912	25-50-75-100	—	591100	

CXHO - Low / Med Temperature

Realcold Stock No.	Model	Nom Hp	Amps Mra	Disp M ³ /HR	Cap Steps %	Watts @ -5 SST (ECO)		Price \$ Excl. GST
						R407C	R134a	
CFS0060	CXH02-70-199Y	70	128	199	25-50-75-100	188900	—	
CFS0062	CXH02-80-230Y	80	145	230	25-50-75-100	217200	—	
CFS0064	CXH02-90-264Y	90	160	264	25-50-75-100	243800	—	
CFS0066	CXH02-100-298Y	100	175	298	25-50-75-100	275200	—	
CFS0072	CXH52-110-316Y	110	184	316	25-50-75-100	314700	—	
CFS0068	CXH52-120-340Y	120	195	340	25-50-75-100	341200	—	
CFS0074	CXH52-125-372Y	125	218	372	25-50-75-100	364100	—	
CFS0076	CXH52-140-428Y	140	245	428	25-50-75-100	391800	—	
CFS0078	CXH52-160-468Y	160	282	468	25-50-75-100	446600	—	
CFS0082	CXH92-180-545Y	180	332	545	25-50-75-100	546600	—	
CFS0084	CXH92-210-620Y	210	375	620	25-50-75-100	606800	—	
CFS0086	CXH92-240-702Y	240	427	702	25-50-75-100	672800	—	
CFS0088	CXH92-280-810Y	280	455	810	25-50-75-100	774400	—	
CFS0090	CXH92-300-912Y	300	474	912	25-50-75-100	856400	—	

Standard Equipment

- Lubricant oil charge and oil filter
- Discharge service valve complete with check valve
- Suction service valve with flange and solder sleeve
- Electric oil heater with temperature control
- Oil equalisation valve for parallel compressors application
- KRIWAN Electronic protection module
- Maximum discharge temperature PTC sensor
- PTC sensors for motor protection
- Step capacity and stepless control device
- Connection for liquid injection or economiser fittings



Semi-Hermetic Screw Compressor - Accessories

Model No.	Remote Oil Separator	Visual Indicator For Oil Strainer Clogging	Electric Indicator For Oil Strainer Clogging	Water Cooled Oil Cooler	Economizer Kit for R22	Economizer Kit for R404A-R507A	Lubricant for R22 (19l can)	Lubricant for R404A, 50W7A, R143A
R-TSH8 40 120Y	TOOWK200	TOOWK150	TOOWK151	SZ-WOC1	—	—	SZ-OIL2 (FCH)	SZ-OIL3 (FCL)
R-TSH8 50 150Y	TOOWK200	TOOWK150	TOOWK151	SZ-WOC1	—	—	SZ-OIL2 (FCH)	SZ-OIL3 (FCL)
R-TSH8 60 186Y	TOOWK200	TOOWK150	TOOWK151	SZ-WOC1	—	—	SZ-OIL2 (FCH)	SZ-OIL3 (FCL)
R-TSH8 70 210Y	TOOWK200	TOOWK150	TOOWK151	SZ-WOC1	—	—	SZ-OIL2 (FCH)	SZ-OIL3 (FCL)
R-TSH8 80 240Y	TOOWK201	TOOWK150	TOOWK151	SZ-WOC1	—	—	SZ-OIL2 (FCH)	SZ-OIL3 (FCL)
R-TSH8 90 270Y	TOOWK201	TOOWK150	TOOWK151	SZ-WOC1	—	—	SZ-OIL2 (FCH)	SZ-OIL3 (FCL)
R-TSH8 100 300Y	TOOWK201	TOOWK150	TOOWK151	SZ-WOC1	—	—	SZ-OIL2 (FCH)	SZ-OIL3 (FCL)
R-TSH8 120 360Y	TOOWK201	TOOWK150	TOOWK151	SZ-WOC2	—	—	SZ-OIL2 (FCH)	SZ-OIL3 (FCL)
R-TSL1 30 120Y	TOOWK200	TOOWK150	TOOWK151	SZ-WOC2	TOOWK300	TOOWK301	SZ-OIL2 (FCH)	SZ-OIL3 (FCL)
R-TSL1 40 150Y	TOOWK200	TOOWK150	TOOWK151	SZ-WOC1	TOOWK300	TOOWK301	SZ-OIL2 (FCH)	SZ-OIL3 (FCL)
R-TSL1 50 186Y	TOOWK200	TOOWK150	TOOWK151	SZ-WOC1	TOOWK302	TOOWK303	SZ-OIL2 (FCH)	SZ-OIL3 (FCL)
R-TSL1 60 210Y	TOOWK200	TOOWK150	TOOWK151	SZ-WOC1	TOOWK302	TOOWK303	SZ-OIL2 (FCH)	SZ-OIL3 (FCL)
R-TSL1 70 240Y	TOOWK200	TOOWK150	TOOWK151	SZ-WOC1	TOOWK304	TOOWK305	SZ-OIL2 (FCH)	SZ-OIL3 (FCL)
R-TSL1 80 270Y	TOOWK200	TOOWK150	TOOWK151	SZ-WOC1	TOOWK304	TOOWK305	SZ-OIL2 (FCH)	SZ-OIL3 (FCL)
R-TSL1 90 300Y	TOOWK201	TOOWK150	TOOWK151	SZ-WOC2	TOOWK306	TOOWK307	SZ-OIL2 (FCH)	SZ-OIL3 (FCL)
R-TSL1 100 360Y	TOOWK201	TOOWK150	TOOWK151	SZ-WOC2	TOOWK306	TOOWK307	SZ-OIL2 (FCH)	SZ-OIL3 (FCL)