



Your **definitive** source  
for quality pre-owned  
equipment.

**Artisan Technology Group**

(217) 352-9330 | [sales@artisanng.com](mailto:sales@artisanng.com) | [artisanng.com](http://artisanng.com)

**Full-service, independent repair center**  
with experienced engineers and technicians on staff.

**We buy your excess, underutilized, and idle equipment**  
along with credit for buybacks and trade-ins.

**Custom engineering**  
so your equipment works exactly as you specify.

- Critical and expedited services
- In stock / Ready-to-ship
- Leasing / Rentals / Demos
- ITAR-certified secure asset solutions

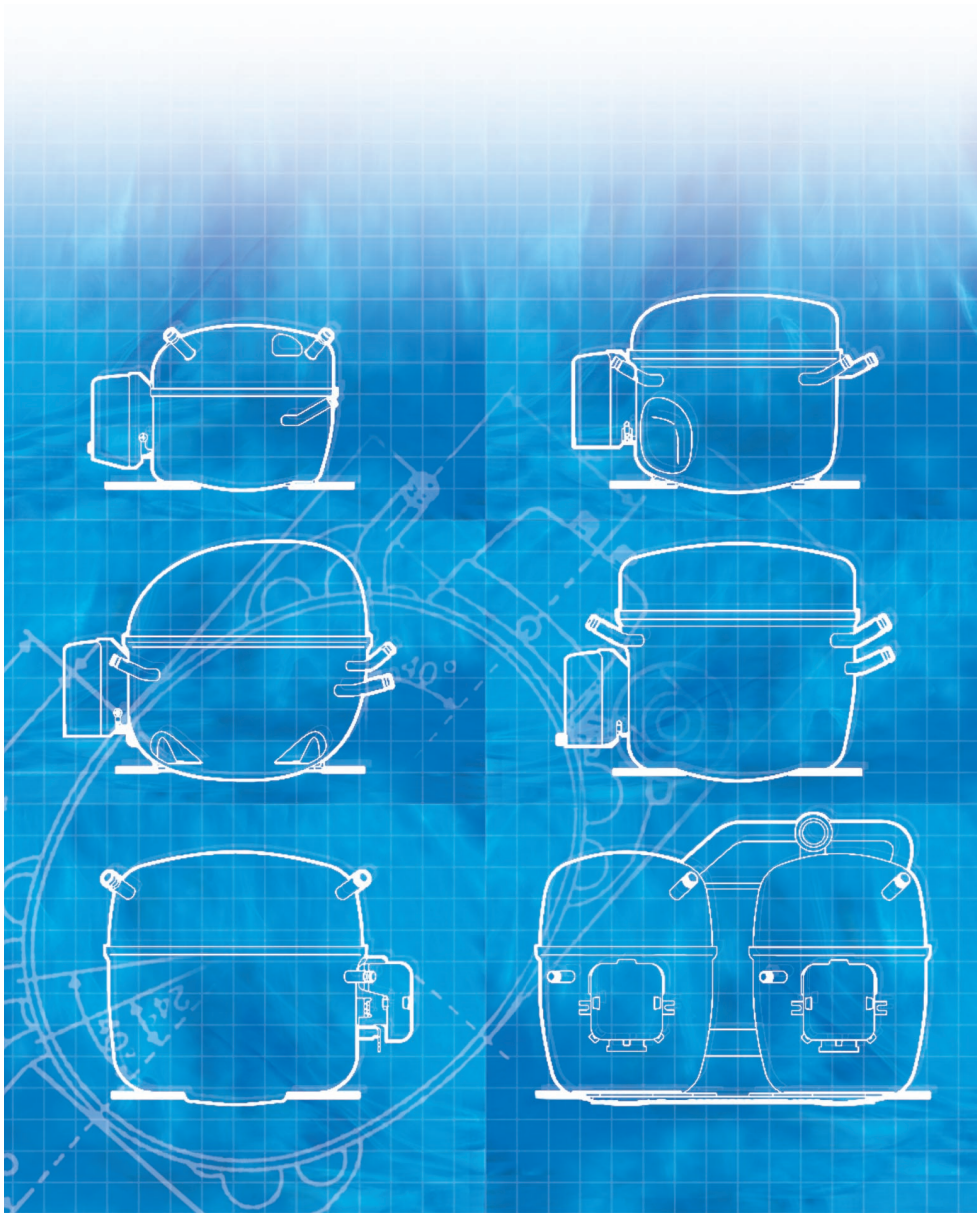
**Expert team | Trust guarantee | 100% satisfaction**

All trademarks, brand names, and brands appearing herein are the property of their respective owners.

Find the *Danfoss 102G4250* at our website: [Click HERE](#)

Collection of Datasheets

## Compressors for R134a 220-240V 50Hz & 60Hz



## Standard Compressors

### P-Series

PL20F (50Hz)	Page	12
PL35F (50Hz)	Page	14
PL50F (50Hz)	Page	16
PL50F (HST/50Hz)	Page	18

### T-Series

TL2.5F (50Hz)	Page	20
TL3F (50Hz)	Page	22
TL4F (50Hz)	Page	24
TL5F (50Hz)	Page	26
TLS4F (50Hz)	Page	28
TLS5F (50Hz)	Page	30
TLS6F (50Hz)	Page	32
TLS7F (50Hz)	Page	34

### N-Series

NL6F (50Hz)	Page	36
NL7F (50Hz)	Page	38
NL8F (50Hz)	Page	40
NL9F (50Hz)	Page	42
NL11F (50Hz)	Page	44
NF7FX (50/60Hz)	Page	46
NF9FX (50Hz)	Page	48
NF10FX (50Hz)	Page	50
NF11FX (50Hz)	Page	52

### F-Series

FR7.5F (50Hz)	Page	54
FR8.5F (50Hz)	Page	56
FR10F (50Hz)	Page	58

### S-Series

SC15F (50Hz)	Page	60
SC18F (50Hz)	Page	62
SC21F (50Hz)	Page	64

## Energy-optimized Compressors

### P-Series

PLE35F (50Hz)	Page	66
PLE50F (50Hz)	Page	68

### T-Series

TLES3F (50Hz)	Page	70
TLES4F (50Hz)	Page	72
TLES5F (50Hz)	Page	74
TLES6F (50Hz)	Page	76
TLES7F (50Hz)	Page	78

### N-Series

NLE6F (50Hz)	Page	80
NLE7F (50Hz)	Page	82
NLE8FK (50Hz)	Page	84
NLE9F (50Hz)	Page	86

## High Energy-optimized Compressors

### T-Series

TLY4F (50Hz)	Page	88
TLY5FK (50Hz)	Page	90
TLX6FK (50Hz)	Page	92

### N-Series

NLY5.5FK (50Hz)	Page	94
NLY6F (50Hz)	Page	96
NLY7F (50Hz)	Page	98
NLY9FK (50Hz)	Page	100
NLY5.5FK.2 (50Hz)	Page	102
NLY6FK.2 (50Hz)	Page	104
NLY7FK.2 (50Hz)	Page	106
NLY9FK.2 (50Hz)	Page	108

## Variable Speed Drive Compressors

### T-Series

TLV5F (50-60Hz)	Page	110
TLV6F (50-60Hz)	Page	112
TLV7F (50-60Hz)	Page	114

## Tropical Compressors

### T-Series

TLS3FT (50Hz)	Page	116
TLS4FT (50Hz)	Page	118
TLS5FT (50Hz)	Page	120
TFS4FT (50Hz)	Page	122
TFS4.5FT (50Hz)	Page	124

### N-Series

NL6FT (50/60Hz)	Page	126
NL7FT (50Hz)	Page	128
NL9FT (50Hz)	Page	130
NL10FT (50Hz)	Page	132

### S-Series

SC12FT (50/60Hz)	Page	134
SC15FT (50/60Hz)	Page	136
SC18FTX (50/60Hz)	Page	138
SC21FTX (50/60Hz)	Page	140

## Energy-optimized Tropical Compressors

### N-Series

NLE9FT (50Hz)	Page	142
---------------	------	-----

## Universal Compressors

### P-Series

PL35G (50/60Hz)	Page	144
-----------------	------	-----

### T-Series

TL2.5G (50/60Hz)	Page	146
TL3G (50/60Hz)	Page	148
TL4G (50/60Hz)	Page	150
TL5G (50/60Hz)	Page	152

### F-Series

FR6G (50/60Hz)	Page	154
FR7.5G (50/60Hz)	Page	156
FR8.5G (50/60Hz)	Page	158
FR10G (50/60Hz)	Page	160
FR11G (50Hz)	Page	162

### S-Series

SC10G (50/60Hz)	Page	164
SC12G (50/60Hz)	Page	166
SC15G (50/60Hz)	Page	168
SC18G (50/60Hz)	Page	170
SC21G (50/60Hz)	Page	172

### S-Series (Twins)

SC12/12G (50Hz)	Page	174
SC15/15G (50Hz)	Page	176
SC18/18G (50Hz)	Page	178
SC21/21G (50Hz)	Page	180

## Heat Pump Compressors

### T-Series

TL4GH (50/60Hz)	Page	182
-----------------	------	-----

### F-Series

FR7GH (50/60Hz)	Page	184
-----------------	------	-----

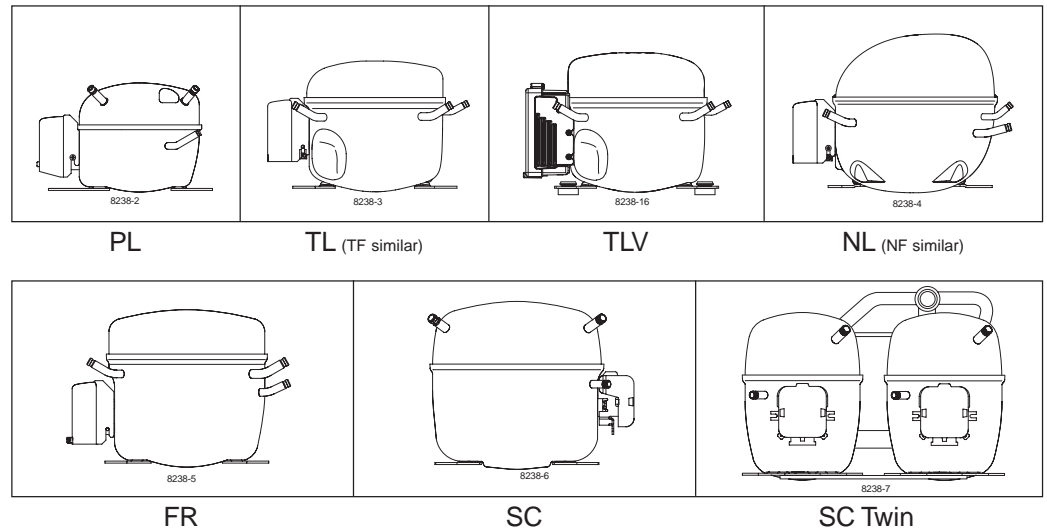
### S-Series

SC10GH (50Hz)	Page	186
SC12GH (50Hz)	Page	188
SC15GH (50Hz)	Page	190
SC18GH (50Hz)	Page	192
SC10GHH (50Hz)	Page	194
SC15GHH (50Hz)	Page	196
SC10GH (50/60Hz)	Page	198
SC12GH (50/60Hz)	Page	200
SC15GH (50/60Hz)	Page	202
SC18GH (50/60Hz)	Page	204

## 1. General

This collection of datasheets contains information on Danfoss hermetic refrigeration compressors for 220-240V especially designed for refrigeration systems using refrigerant R134a (CF<sub>3</sub>-CH<sub>2</sub>F).

The programme consists of the basic types PL, TL, TLV, TF, NL, NF, FR, SC and SC Twin.



### 1.1 Compressor designations

The compressor designations are built up according to the following system:

Compressor design	Optimization level	Compressor size	Application range	Generation
PL	Blank Standard energy level S	Nominal displacement in cm <sup>3</sup>  Exception: For PL compressors the capacity at rating point is stated	F R134a LBP(MBP) FT	Blank → First generation
TL, TF	Semi-direct intake		R134a LBP tropical FK	.2 → Second generation
NL, NF	E Energy-optimized (optimized motor)		R134a LBP/(MBP) LST FX	
FR	Y, X High Energy-optimized (high optimization level)		R134a LBP/(MBP) HST G	.3 → Third generation
SC			R134a LBP/MBP/HBP GH R134a Heat pumps GHH R134a Heat pumps (optimized)	

Example

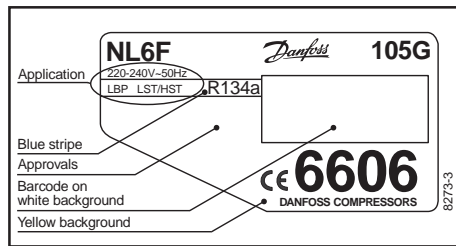
TL	ES	5	F	
NL	E	7	F	
FR		7	GH	
NL	Y	9	FK	.2

### 1.2 Design

Compressors with the denominations PL, PLE, TLS, TFS, TLES, TLY, NL, NF and NLE are designs with semi-direct intake. Compressors with the denomination NLY are designs with direct intake. Please note that the suction and process connectors on all TLS, TLES, and TLY compressors have been interchanged as compared with the basic TL compressors. Using the wrong connector as suction connector on PL, PLE, TLS, TFS, TLES, TLY, NL, NF and NLE compressors will lead to reduced capacity and efficiency. Using the wrong connector as suction connector on the NLYs is not allowed since the compressor will not function.



### 1.3 Type label



All compressors have a yellow label with the type designation. This label has a blue stripe and the text "R134a".

The country of origin indicated on the compressor paper label and on the compressor cover varies depending on the manufacturing place. Information can be found on our technical information sheet "Country of Origin".

### 1.4 Data stamping

The compressor type and production date are stamped on the side of the compressor. The information may be as follows,

L--4F-4400  
F-201E2207

The first line states the model designation and the code no.

L- = last letter (or last two letters) of the compressor type  
-4F- = nominal displacement and application  
4400 = 4 last digits in the code no.  
(- = position mark)

The second line states the date of manufacture and internal Danfoss codes.

F = manufacturing place (F = Germany, AL = Slovenia, AM = Mexico)  
20 = week 20  
1 = 2001  
E = Friday (A = Monday etc.)  
220 = nominal voltage  
7 = internal Danfoss code

### 1.5 Compressor dimensions

The build-in conditions (total height, weight, tube dimensions etc.) are specified in the individual datasheets including dimensioned sketches for the compressors.

## 2. Application range

- F** Compressors with denominations ending with **F** are primarily designed for low evaporating temperatures (LBP **L**ow **B**ack **P**ressure) for use in refrigerators, freezers and similar applications in regions with stable supply voltage.
- FT** Compressors with denominations ending with **FT** are designed for low evaporation temperatures (LBP **L**ow **B**ack **P**ressure) for use in refrigerators, freezers and similar applications operating in regions with unstable supply voltage.
- FK** Compressors with denominations ending with **FK** are F-types designed for low evaporation temperatures with LST starting characteristics (capillary tube).
- FX** Compressors with denominations ending with **FX** are F-types designed for low evaporation temperatures with HST starting characteristics (expansion valve).
- G** Compressors with denominations ending with **G** are primarily designed for high evaporation temperatures (HBP **H**igh **B**ack **P**ressure) for use in liquid coolers, dehumidifiers, refrigerated display counters, vending machines and similar applications. The compressors can also be used for "Heavy Duty" purposes at low evaporating temperatures for use in refrigerators, freezers and similar applications operating in regions with unstable supply voltage.
- GH** Compressors with denominations ending with **GH** are designed for high evaporating temperatures for cooling of electronic cabinets and for use in heat pump systems.
- GHH** Compressors with denominations ending with **GHH** are optimized versions of GH compressors.  
The table on page 5 shows the normally recommended applications as regards voltage/frequency, ambient temperature, evaporating temperature and necessary compressor cooling. The recommendations must be regarded as a guideline only as they presuppose a proper dimensioning of the refrigeration system.

Compressor	Mains [V/Hz]	Ambient temperature						
		32°C		38°C		43°C		
		LBP	HBP	LBP	HBP	LBP	HBP	
F FK FK.2 FX	PL20 - 35 - 50F	198 - 254 /50	S		S			
	PLE35 - 50F	198 - 254 /50	S*		S*			
	TL2.5 - 3 - 4 - 5F	198 - 254 /50	S		S			
	TLS4 - 5 - 6F	198 - 254 /50	S		S			
	TLS7F	198 - 254 /50	S		S*			
	TLES3 - 4F	198 - 254 /50	S		S		S	
	TLES5F	198 - 254 /50	S		S		S <sup>(*)</sup>	
	TLES6F	198 - 254 /50	S		S*		S*	
	TLES7F	198 - 254 /50	S		S*			
	TLY4F	198 - 254 /50	S		S		S	
	TLY5FK	198 - 254 /50	S		S		S*	
	TLX6FK	198 - 254 /50	S*		S*			
	TLV5 - 6 - 7F	198 - 254 /50-60	S		S		S	
	NF7FX	198 - 242 /50	S		F <sub>1</sub>			
		198 - 242 /60	F <sub>1</sub>		F <sub>1</sub>			
	NF9FX	198 - 242 /50	O/F <sub>1</sub>		O/F <sub>1</sub>			
	NF10FX	198 - 242 /50	F <sub>1</sub>		F <sub>2</sub>			
	NF11FX	198 - 242 /50	F <sub>2</sub>		F <sub>2</sub>			
	NL6 - 7 - 8 - 9F	198 - 254 /50	S		S			
	NL11F	198 - 254 /50	O/F <sub>1</sub>		O/F <sub>1</sub>			
	NLE6 - 7 - 9F - NLE8FK	198 - 254 /50	S		S			
NLY6 - 7F - NLY5.5 - 9FK	198 - 254 /50	S*		S*		S*		
NLY5.5 - 6 - 7 - 9FK.2	198 - 254 /50	S*		S*		S*		
FR7.5 - 8.5 - 10F	198 - 254 /50	S		S				
SC15 - 18 - 21F	198 - 254 /50	O/F <sub>1</sub>		O/F <sub>1</sub>				
FT FTX	TFS4 - 4.5FT	176 - 242 /50	S		S		S	
	TLS3 - 4 - 5FT	187 - 254 /50	S		S		S	
		187 - 254 /60	S		S		S	
	NL6FT	187 - 254 /50	S		S		S	
	NL7FT	187 - 254 /50	S		S		O/F <sub>1</sub>	
	NL9 - 10FT	187 - 254 /50	S		O/F <sub>1</sub>		O/F <sub>1</sub>	
	NLE9FT	187 - 254 /50	S		S		S	
		187 - 254 /60	O/F <sub>1</sub>		O/F <sub>1</sub>		F <sub>2</sub>	
	SC12 - 15FT	187 - 254 /50	O/F <sub>1</sub>		O/F <sub>1</sub>		F <sub>2</sub> <sup>***</sup>	
		198 - 254 /60	O/F <sub>1</sub>		O/F <sub>1</sub>		F <sub>2</sub>	
SC18 - SC21FTX	187 - 254 /50	F <sub>2</sub>		F <sub>2</sub>		F <sub>2</sub>		
	198 - 254 /60	F <sub>2</sub>		F <sub>2</sub>		F <sub>2</sub>		
G	PL35G	198 - 254 /50	F <sub>2</sub>	F <sub>2</sub>	F <sub>2</sub>	F <sub>2</sub>		
		198 - 254 /60	F <sub>2</sub>		F <sub>2</sub>			
	TL2.5G	187 - 254 /50	S	S	S	S	S	F <sub>2</sub>
		198 - 254 /60		S	S	S		
		207 - 254 /60		S	S	S	F <sub>2</sub>	
	TL3 - 4 - 5G	187 - 254 /50	S		S	F <sub>2</sub>	S	F <sub>2</sub>
		198 - 254 /60						
	FR6G	187 - 254 /50	S		S	F <sub>2</sub>	S	F <sub>2</sub>
		198 - 254 /60						
	FR7.5G	187 - 254 /50	S		S	F <sub>2</sub>	O/F <sub>1</sub>	F <sub>2</sub>
		198 - 254 /60						
		187 - 254 /50						
	FR8.5 - 10G	198 - 254 /50	S	F <sub>2</sub>	O/F <sub>1</sub>	F <sub>2</sub>	O/F <sub>1</sub>	F <sub>2</sub>
		198 - 254 /60						
	FR11G	198 - 254 /50	F <sub>2</sub>	F <sub>2</sub>	F <sub>2</sub>	F <sub>2</sub>	F <sub>2</sub>	F <sub>2</sub>
		187 - 254 /50						
	SC10	198 - 254 /50	F <sub>1</sub>	F <sub>2</sub>	F <sub>1</sub>	F <sub>2</sub>	F <sub>1</sub>	F <sub>2</sub>
		198 - 254 /60						
	SC12 - 15 - 18G	187 - 254 /50	O/F <sub>1</sub>					
		198 - 254 /50		F <sub>2</sub>	O/F <sub>1</sub>	F <sub>2</sub>	O/F <sub>1</sub>	F <sub>2</sub>
	SC21G	198 - 254 /60	F <sub>2</sub>					
187 - 254 /50		F <sub>2</sub>		F <sub>2</sub>	F <sub>2</sub>	F <sub>2</sub> <sup>**</sup>	F <sub>2</sub>	
SC12/12G SC15/15G Twin SC18/18G	198 - 254 /50	F <sub>2</sub>	F <sub>2</sub>	F <sub>2</sub>	F <sub>2</sub>	F <sub>2</sub>	F <sub>2</sub>	
SC21/21G Twin	198 - 254 /50	F <sub>2</sub>	F <sub>2</sub>	F <sub>2</sub>	F <sub>2</sub>	F <sub>2</sub> <sup>**</sup>	F <sub>2</sub>	
GH	TL4GH	198 - 254 /50		F <sub>2</sub>		F <sub>2</sub>		F <sub>2</sub>
		198 - 254 /60						
	FR7GH	198 - 254 /50		O/F <sub>1</sub>		O/F <sub>1</sub>		O/F <sub>1</sub>
		198 - 254 /60						
	SC10 - 12 - 15 GH	198 - 254 /50		F <sub>1</sub>		F <sub>1</sub>		F <sub>1</sub>
SC18GH	198 - 254 /50		F <sub>2</sub>		F <sub>2</sub>		F <sub>2</sub>	
SC10 - 12 - 15 - 18GH	198 - 254 /50							
	198 - 254 /60		F <sub>2</sub>		F <sub>2</sub>		F <sub>2</sub>	
GHH	SC10 - 15GHH	198 - 254 /50		O		O		O

\* Run capacitor compulsory  
 \*\* Run capacitor recommended  
 \*\*\* Not applicable below -25°C evaporating temperature in 43°C ambient temp. above 240V  
 O/F<sub>1</sub> possible at 220V nominal (187-242V)

S Static cooling normally sufficient  
 O Oil cooling  
 F<sub>1</sub> Fan cooling 1.5 m/s (compressor compartment temperature equal to ambient temp.)  
 F<sub>2</sub> Fan cooling 3.0 m/s necessary  
 Outside application range, not recommended

The application limits regarding evaporating temperatures and motor systems are specified in the individual compressor datasheets.

## 2.1 Design limits

Condensing temperature  
Winding temperature

In order to secure a satisfying lifetime of the compressor, and to protect the compressor against overload, some design criteria for the appliances must be fulfilled.

Both the condensing temperature and the compressor temperature should be kept as low as possible. This can be done by using well-dimensioned condenser surfaces and by ensuring good ventilation around the compressor under all operating conditions.

In order to protect the compressor against overload, the compressor has to start and work properly through pressure peaks obtained in the highest ambient temperature and lowest obliing voltage. At peak load the condensing temperature must not exceed 70°C.

The winding temperature must not exceed 135°C.

At stable operation conditions the condensing temperature must not exceed 60°C. The winding temperature must not exceed 125°C.

These limitations secure a protection of valves, gaskets, oil, and motor insulation.

## 3. Electrical equipment

The compressors are equipped with a single-phase AC motor. With the exception of the smallest TL and the biggest SC compressors the TL, TLS, NL, FR, and SC compressors are designed with universal motors which means that they can obtain a high (HST) or low starting torque (LST) depending on the external electrical equipment used.

The electrical equipments are classified as "normal tight" (IP20)

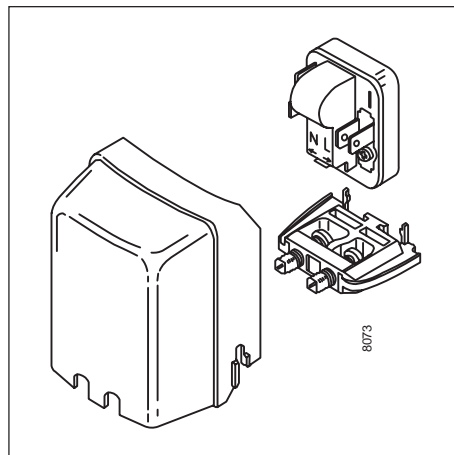
The motor protector is built into the motor (winding protector).

Earth connections are located on the bracket around the current lead-in of the compressor.

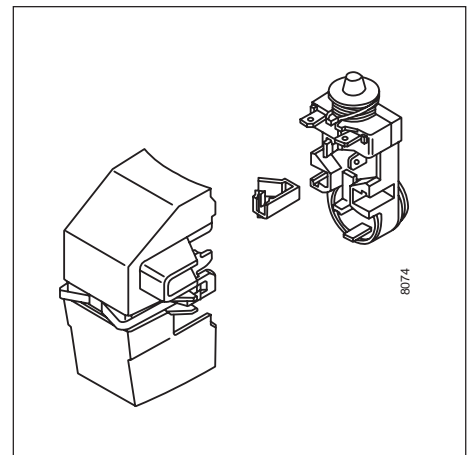
*No attempt must be made to start the compressor without a complete starting device.*

The compressors can be supplied with the following motor systems:

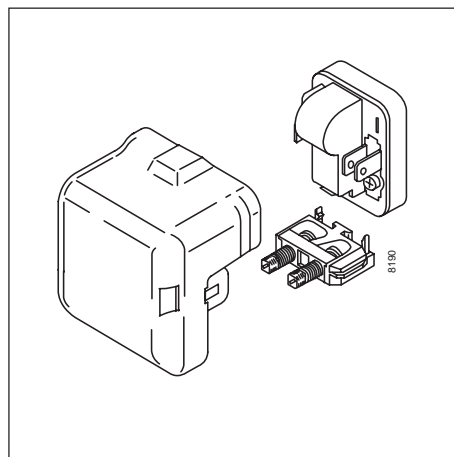
### 3.1 LST (RSIR)



PL, TL, NL, FR



TFS



SC

Compressors with the motor type **Resistant Start Induction Run (RSIR)** have a starting device for **Low Starting Torque (LST)**. The design of the electrical equipment depends on the actual compressor design. The following designs of starting devices exist:

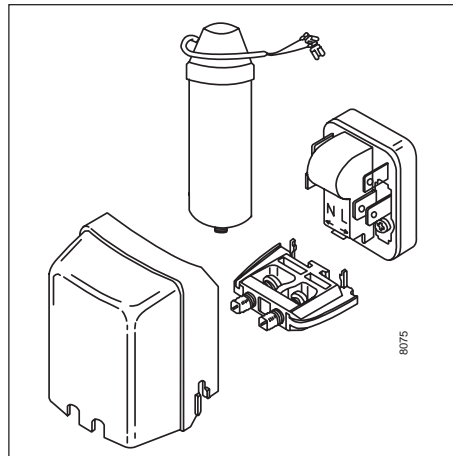
a) PTC + cord relief + cover, the motor protector is built into the motor (winding protector), used for compressors with the denominations PL, TL, NL, FR, and SC.

b) Relay housing including motor protector + cord relief + cover, used for compressors with the denomination TFS.

The PTC starting device requires a pressure-equalization before each start. This starting device is normally used in well-designed re-

frigerating systems with capillary tube as throttling device. The PTC needs a compressor standstill period of 5 minutes to cool down before each start.

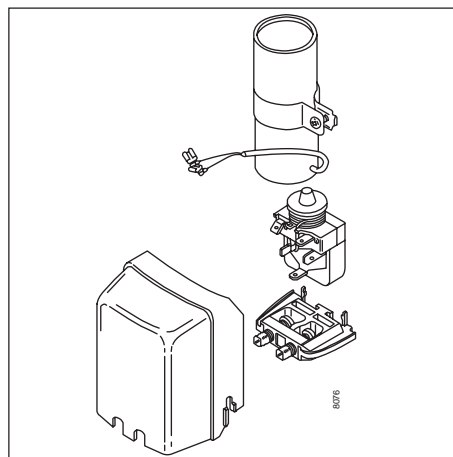
### 3.2 LST (RSCR)



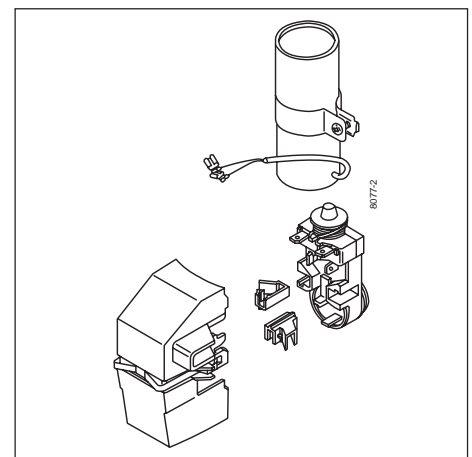
PLE, TLES, TLY, NLE, NLY

Compressors with the motor type **Resistant Start Capacitor Run (RSCR)** have a starting device for **Low Starting Torque (LST)**. This starting device consists of a PTC and a run capacitor and is mandatory for compressors with the denominations PLE, TLY and NLY. The PTC starting device requires a pressure-equalization before each start. This starting device is normally used in well-designed refrigerating systems with capillary tube as throttling device.

### 3.3 HST (CSIR)



PL, TL, NL, FR



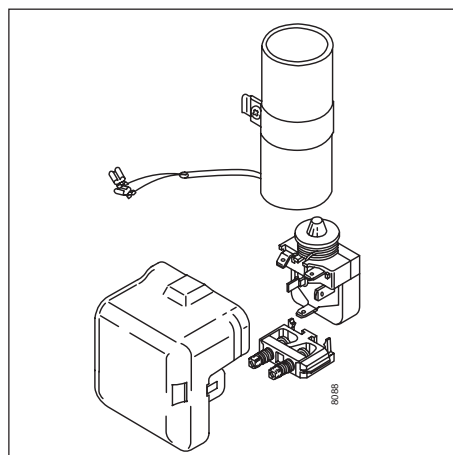
NF

Compressors with the motor type **Capacitor Start Induction Run (CSIR)** have a starting device for **High Starting Torque (HST)**. This starting device consists of a starting relay and a starting capacitor and is used for compressors with the denominations TL, NL, NF, FR and SC. The following designs of starting devices exist:

- a) Relay + starting capacitor + cord relief + cover, used for compressors with the denominations TL, NL, FR and SC.
- b) Relay housing including motor protector + starting capacitor + cord relief (2x) + cover, used for compressors with the denomination NF.

The starting device requires no pressure-equalization before each start and is normally used in refrigerating systems with expansion valve as throttling device or in capillary tube systems where pressure equalizing is not obtained during the standstill periods. The starting device is mandatory for NF-FX compressors and for some of the biggest SC compressors.

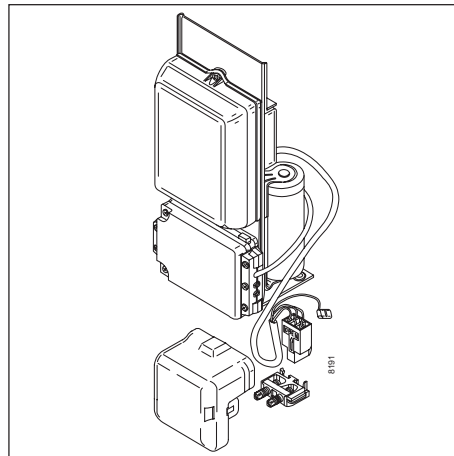
The starting capacitor is designed for short time cut-in. "1.7% ED", which is stamped on the starting capacitor, means for instance max. 10 cut-ins per hour each with a duration of 6 seconds.



SC



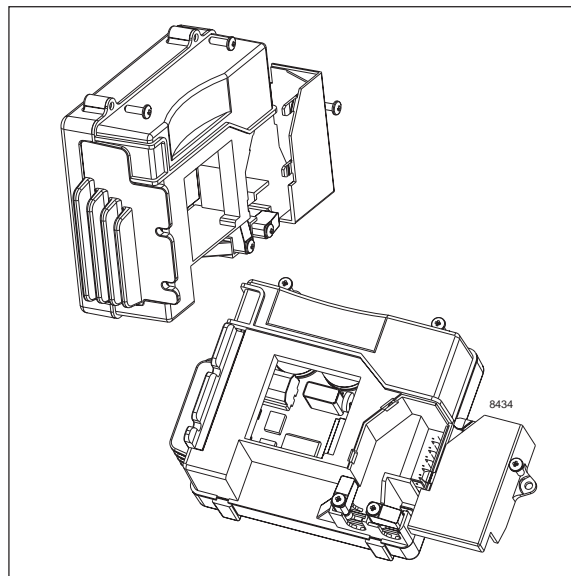
### 3.4 HST (CSR)



SC

Compressors with the motor type **Capacitor Start Run (CSR)** have a starting device for **High Starting Torque (HST)**. This starting device consists of a starting relay, a starting capacitor, a run capacitor, a terminal board, a cord relief, and a cover. The starting device is mandatory for some of the biggest SC compressors. The starting capacitor is designed for short time cut-in. "1.7% ED", which is stamped on the starting capacitor, means for instance max. 10 cut-ins per hour each with a duration of 6 seconds.

### 3.5 Electronic unit (variable speed)



TLV

The variable speed compressor motors are electronically controlled. No attempt must be made to start the compressor without a complete electronic unit, as specified in the data sheet for the compressor type in question.

The electronic unit has a built-in overload protection as well as thermal protection. In case of activation of this protection the electronic unit will protect the compressor motor as well as itself. When the protection has been activated, the electronic unit automatically will restart the compressor after a certain time. The electronic unit provides the compressor with **High Starting Torque (HST)** which means that a pressure-equalization of the system before start is not necessary.

The compressors are equipped with permanent magnet rotors (PM motor) and 3 identical stator windings. The electronic unit is mounted directly on the compressor and controls the PM motor.

Connecting the motor to AC mains, by fault, will damage the magnets and lead to drastically reduced efficiency, or even non functioning.

For further information on which starting device to use on individual compressors, please refer to the actual datasheets (some compressors have limitations for either LST or HST).

### 3.6 Connections

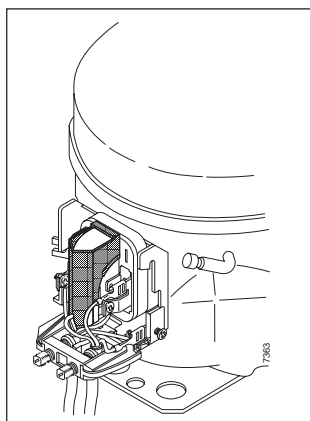
The electrical equipments are equipped with connectors depending on the ordered code number,

- Starting relays: 6.3 mm spade connectors only
- PTCs: 6.3 or 4.8 mm spade connectors and screws
- Variable speed electronic unit: 6.3 spade connectors only

The power supply must be connected as shown in the wiring diagrams for the chosen electrical equipment given in the actual datasheets.

### 3.7 Approvals

The compressors have been approved in respect of safety by testing authorities in the majority of Western European countries. Actual standards to which the compressors have been approved are specified in the individual datasheets. Approval markings appear on the compressor labels.



Protection screen

*To fulfil the requirements of EN 60355-2-34 the protection screen 103N0476 must be applied to the PTC starting device.*

Most compressors which are capable of running at 60Hz have been approved in respect of safety by testing authorities UL and CSA.

Actual standards to which the compressors have been approved are specified in the individual datasheets. Approval markings appear on a separate approval mark label.



### 4. Moisture and impurities

The compressors are dried to a maximum moisture content of 60 to 75 mg depending on the compressor size. The maximum impurity content is 40 to 50 mg depending on the compressor size.

### 5. Max. refrigerant charge

The refrigerant charge must never be too large to be contained on the condenser side of the refrigeration system. Only the refrigerant amount which is necessary for the system to function must be charged.

The refrigerant amount may be critical as regards oil foaming and liquid hammer after long standstill periods. Because of this, limitations of refrigerant charges have been introduced. The maximum refrigerant charge is specified in the individual datasheets.

If these limitations cannot be complied with, the risk may be reduced if a crankcase heater is properly used or if a pump down system is established.

### 6. Oil charge

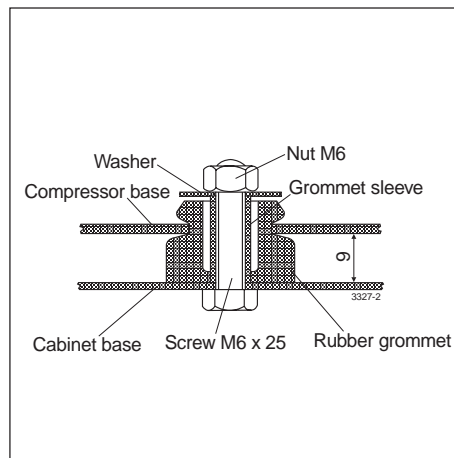
The compressors are supplied charged with dried and degassed oil, which is normally sufficient for the lifetime of the compressor. The refrigeration systems and the system components must be dimensioned in such a way that the oil can be lead back continuously to the compressor housing without accumulating in the system, e.g. without oil pockets and with sufficient gas velocity. The compressors use polyolester oils and are approved only for these oils and R134a.

The oil charge is specified in the individual datasheets.

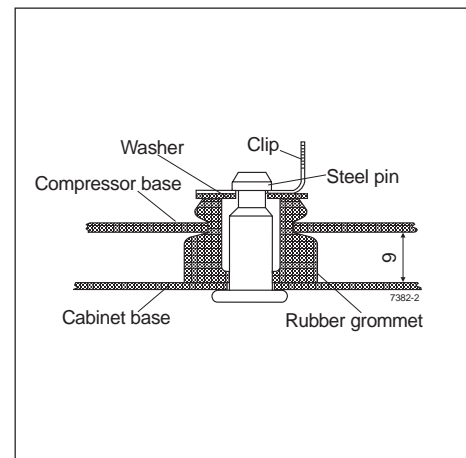
## 7. Mounting

Soldering problems caused by oil in the connectors can be avoided by placing the compressor on its baseplate some time before soldering it into the system. The compressor must never be placed upside down when mounting the rubber grommets in the baseplate. Instead place the compressor on its side with the connectors upwards.

### 7.1 Mounting accessories



Bolt joint



Snap-on joint

The mounting accessories for the compressors are available in two versions, with bolt joint or snap-on joint. The code numbers for the mounting accessories are specified in the individual compressor datasheets.

These rubber grommets are designed for the 16 mm holes of the baseplate:

Bolt joint for one compressor in a bag	118-1917 or 118-1946
Bolt joint in quantities	118-1918 or 118-1945
Snap-on in quantities	118-1919 or 118-1944
Snap-on for one compressor in a bag	118-1947

These rubber grommets are designed for the 19 mm holes of the baseplate:

Bolt joint in quantities	118-1948
--------------------------	----------

## 8. Condition at delivery

The compressors are delivered without mounted starting devices on pallets with the dimensions 1144 x 800 mm. Quantities per pallets are specified in the individual datasheets. Electrical equipment is packed in separate boxes.

The most important performance controls carried out during manufacturing are,

- A high potential insulation test with 1650V for 1 second
- Pumping capacity
- Tightness of discharge side and discharge valve
- Tightness of compressor housing
- Check of the right oil charge
- Noise test

The compressors are supplied with sealed connectors and the sealing should not be removed before the system assembly takes place (max. 15 minutes with open connectors).

## 9. Twin-compressors

The Twin version consists of two SC compressors mounted on a common baseplate. The two compressors are joined by an oil-equalizing tube and also have an intake manifold with screw connector for a service valve or a solder connector (these parts are supplied as accessories).

Each Twin compressor is supplied with two sets of electrical equipment and mounting accessories. To ensure optimum starting characteristics and the smallest possible mains load we recommend that the compressors be equipped with a time-delay relay for start of the second compressor. Twin compressors can operate with capacity regulation depending on the controls used.

## 10. Conversion from R12 to R134a

Normally, the capillary tube shall be adjusted at low evaporating temperatures. Compared to an optimized R12 system with the same evaporator capacity, the R134a system must have an increased resistance defined as approx. 10% less N<sub>2</sub> flow at 10 bar inlet pressure. The same size of capillary tube as used for R12 can be used at high evaporating temperatures.

A drier with 3Å desiccant of Molecular Sieves must always be used.

Rules for dryness and cleanliness of system components (DIN 8964) are transferred to R134a systems.

The system components must not contain mineral oil or greasy substances.

The compressors must be soldered into the system no later than 15 minutes after the connector seals have been removed.

The same evacuation procedure as for R12 systems must be used.

Max. 1% non-condensable gases.

The system must not contain any chlorine.

The charging equipment must only be used for R134a.

If the same vacuum pump is to be used for R12 and R134a systems, a special Ester oil must be used in agreement with the pump supplier.

## 11. Warnings

No high potential test nor start tests must be carried out while the compressor is under vacuum.

No attempt must be made to start the compressor without a complete starting device. Allow the compressor to assume a temperature above 10°C before starting the first time in order to avoid starting problems.

Anti-freeze agents must not be used in the compressors as such agents are damaging to several of the materials used. In particular, the ethyl or methyl alcohol contents of such anti-freeze agents have a destructive effect on the synthetic motor insulation.



# PL20F

## Standard Compressor

### R134a

### 220-240V 50Hz

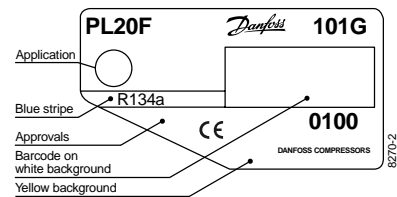
Data Sheet (Replaces CD.41.B6.02)

#### General

Compressor	<b>PL20F</b>
Code number	101G0100

#### Application

Application		MBP
Evaporating temperature range	°C	-25 to 0
Voltage range	V/Hz	198 - 254 /50
Motor type		RSIR
Max. ambient temperature	°C	38
Comp. cooling at ambient temp.	32°C	S
	38°C	S



- S = Static cooling normally sufficient
- O = Oil cooling
- F<sub>1</sub> = Fan cooling 1.5 m/s  
(compressor compartment temperature equal to ambient temperature)
- F<sub>2</sub> = Fan cooling 3.0 m/s necessary

#### Design

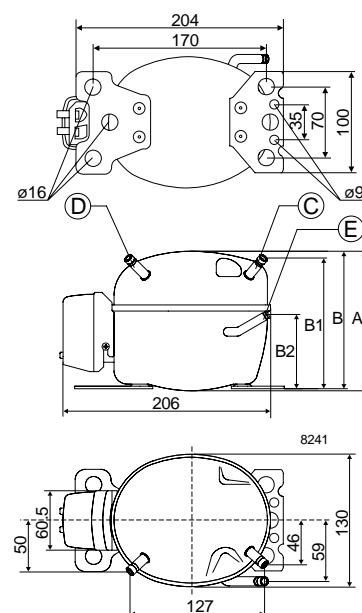
Displacement	cm <sup>3</sup>	1.41
Oil quantity	cm <sup>3</sup>	150
Maximum refrigerant charge	g	300
Free gas vol. in compressor	cm <sup>3</sup>	800
Weight without electrical equipment	kg	3.8

#### Motor

Motor size	watt	29
LRA (rated after 4 sec. UL984) LST	A	1.2
Cut-in current LST	A	5.7
Resistance, main and start winding (25°C)	Ω	84.0/19.0
Approvals		EN 60335-2-34 with Annex AA

#### Dimensions

Height	mm	A	129
		B	127
		B1	120
		B2	73
Suction connector	location/l.D. mm	C	6.2 ±0.09
Process connector	location/l.D. mm	D	6.2 ±0.09
Discharge connector	location/l.D. mm	E	5.0 +0.12/+0.20
Compressors on a pallet	pcs.		150



**Capacity (EN 12900/CECOMAF)**
**watt**

Comp. °C	-25	-23.3	-20	-15	-10	-5	0
PL20F	16.0	19.0	25.4	36.5	49.6	64.9	82.6

**Capacity (ASHRAE)**
**watt**

Comp. °C	-25	-23.3	-20	-15	-10	-5	0
PL20F	19.7	23.4	31.3	45.0	61.3	80.3	102

**Power consumption**
**watt**

Comp. °C	-25	-23.3	-20	-15	-10	-5	0
PL20F	42.0	43.4	46.4	51.5	57.2	63.3	69.7

**Current consumption**
**A**

Comp. °C	-25	-23.3	-20	-15	-10	-5	0
PL20F	0.35	0.35	0.36	0.37	0.39	0.41	0.43

**COP (EN 12900/CECOMAF)**
**W/W**

Comp. °C	-25	-23.3	-20	-15	-10	-5	0
PL20F	0.38	0.44	0.55	0.71	0.87	1.03	1.19

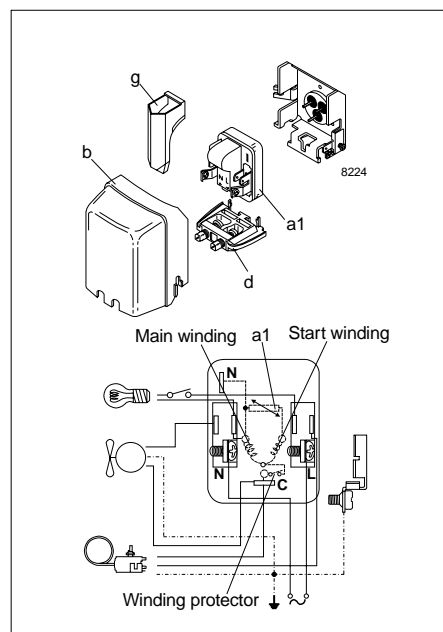
**COP (ASHRAE)**
**W/W**

Comp. °C	-25	-23.3	-20	-15	-10	-5	0
PL20F	0.47	0.54	0.67	0.87	1.07	1.27	1.47

Test conditions  
 Condensing temperature 55°C  
 Ambient and suction gas temp. 32°C  
 Liquid temperature 55°C  
 Static cooling, 220V 50Hz,  
 PTC consumption incl.

EN 12900/CECOMAF  
 55°C  
 32°C  
 55°C

ASHRAE  
 55°C  
 32°C


**Accessories**

Devices	Fig.	PL20F
PTC starting device 6.3 mm spades 4.8 mm spades	a1	103N0011 103N0018
Cover	b	103N0491
Cord relief	d	103N1010
Protection screen for PTC	g	103N0476
Mounting accessories		
Bolt joint for one compressor		118-1917
Bolt joint in quantities		118-1918
Snap-on in quantities		118-1919

# PL35F

## Standard Compressor

### R134a

### 220-240V 50Hz

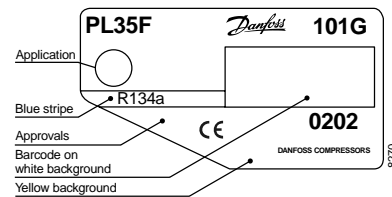
Data Sheet (Replaces CD.41.E1.02)

#### General

Compressor	<b>PL35F</b>
Code number	101G0202

#### Application

Application		MBP
Evaporating temperature range	°C	-25 to 0
Voltage range	V/Hz	198 - 254 /50
Motor type		RSIR
Max. ambient temperature	°C	38
Comp. cooling at ambient temp.	32°C	S
	38°C	S



- S = Static cooling normally sufficient
- O = Oil cooling
- F<sub>1</sub> = Fan cooling 1.5 m/s  
(compressor compartment temperature equal to ambient temperature)
- F<sub>2</sub> = Fan cooling 3.0 m/s necessary

#### Design

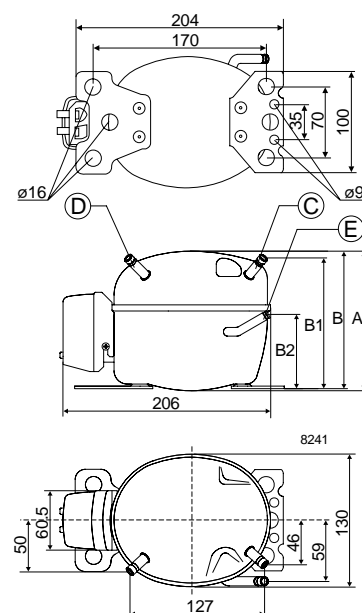
Displacement	cm <sup>3</sup>	2.00
Oil quantity	cm <sup>3</sup>	150
Maximum refrigerant charge	g	300
Free gas vol. in compressor	cm <sup>3</sup>	830
Weight without electrical equipment	kg	4.1

#### Motor

Motor size	watt	43
LRA (rated after 4 sec. UL984) LST	A	1.7
Cut-in current LST	A	5.6
Resistance, main and start winding (25°C)	Ω	52.0/19.0
Approvals		EN 60335-2-34 with Annex AA

#### Dimensions

Height	mm	A	134
		B	132
		B1	125
		B2	73
Suction connector	location/I.D. mm	C	6.2 ±0.09
Process connector	location/I.D. mm	D	6.2 ±0.09
Discharge connector	location/I.D. mm	E	5.0 +0.12/+0.20
Compressors on a pallet	pcs.		150



**Capacity (EN 12900/CECOMAF)**
**watt**

Comp. °C	-25	-23.3	-20	-15	-10	-5	0
PL35F	32	36	45	60	79	101	125

**Capacity (ASHRAE)**
**watt**

Comp. °C	-25	-23.3	-20	-15	-10	-5	0
PL35F	39	44	55	74	97	124	155

**Power consumption**
**watt**

Comp. °C	-25	-23.3	-20	-15	-10	-5	0
PL35F	50	52	57	64	72	80	88

**Current consumption**
**A**

Comp. °C	-25	-23.3	-20	-15	-10	-5	0
PL35F	0.50	0.50	0.51	0.53	0.55	0.58	0.62

**COP (EN 12900/CECOMAF)**
**W/W**

Comp. °C	-25	-23.3	-20	-15	-10	-5	0
PL35F	0.64	0.69	0.79	0.94	1.10	1.26	1.42

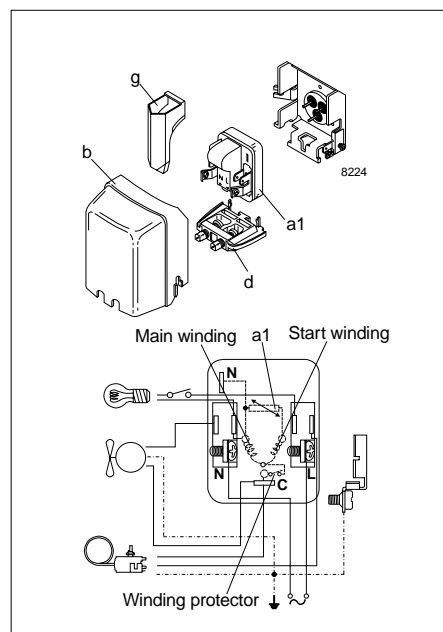
**COP (ASHRAE)**
**W/W**

Comp. °C	-25	-23.3	-20	-15	-10	-5	0
PL35F	0.78	0.85	0.97	1.16	1.36	1.55	1.76

Test conditions

	EN 12900/CECOMAF	ASHRAE
Condensing temperature	55°C	55°C
Ambient and suction gas temp.	32°C	32°C
Liquid temperature	55°C	32°C

Static cooling, 220V 50Hz,  
PTC consumption incl.


**Accessories**

Devices	Fig.	PL35F
PTC starting device 6.3 mm spades 4.8 mm spades	a1	103N0011 103N0018
Cover	b	103N0491
Cord relief	d	103N1010
Protection screen for PTC	g	103N0476
Mounting accessories		
Bolt joint for one compressor		118-1917
Bolt joint in quantities		118-1918
Snap-on in quantities		118-1919



# PL50F

## Standard Compressor

### R134a

### 220-240V 50Hz

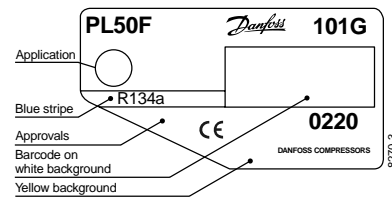
Data Sheet (Replaces CD.41.F1.02)

#### General

Compressor	<b>PL50F</b>
Code number	101G0220

#### Application

Application		LBP
Evaporating temperature range	°C	-35 to -10
Voltage range	V/Hz	198 - 254 /50
Motor type		RSIR
Max. ambient temperature	°C	38
Comp. cooling at ambient temp.	32°C	S
	38°C	S



- S = Static cooling normally sufficient
- O = Oil cooling
- F<sub>1</sub> = Fan cooling 1.5 m/s  
(compressor compartment temperature equal to ambient temperature)
- F<sub>2</sub> = Fan cooling 3.0 m/s necessary

#### Design

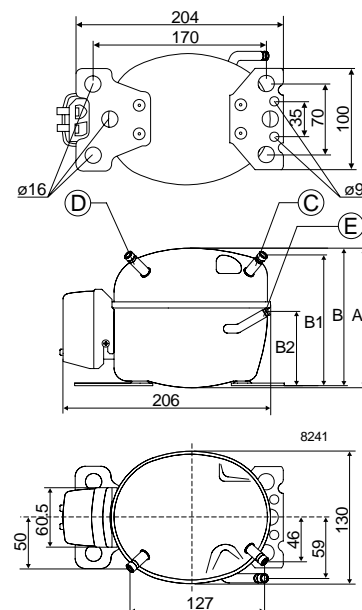
Displacement	cm <sup>3</sup>	2.50
Oil quantity	cm <sup>3</sup>	150
Maximum refrigerant charge	g	300
Free gas vol. in compressor	cm <sup>3</sup>	850
Weight without electrical equipment	kg	4.3

#### Motor

Motor size	watt	54
LRA (rated after 4 sec. UL984) LST	A	2.2
Cut-in current LST	A	6.0
Resistance, main and start winding (25°C)	Ω	38.0/20.0
Approvals		EN 60335-2-34 with Annex AA

#### Dimensions

Height	mm	A	137
		B	135
		B1	128
		B2	73
Suction connector	location/I.D. mm	C	6.2 ±0.09
Process connector	location/I.D. mm	D	6.2 ±0.09
Discharge connector	location/I.D. mm	E	5.0 +0.12/+0.20
Compressors on a pallet	pcs.		150



**Capacity (EN 12900/CECOMAF)**
**watt**

Comp. °C	-35	-30	-25	-23.3	-20	-15	-10
PL50F	14.2	26.2	40.0	45.1	55.8	74.1	95.2

**Capacity (ASHRAE)**
**watt**

Comp. °C	-35	-30	-25	-23.3	-20	-15	-10
PL50F	17.4	32.3	49.3	55.6	68.9	91.5	118

**Power consumption**
**watt**

Comp. °C	-35	-30	-25	-23.3	-20	-15	-10
PL50F	43.6	51.9	60.0	62.7	68.1	76.5	85.6

**Current consumption**
**A**

Comp. °C	-35	-30	-25	-23.3	-20	-15	-10
PL50F	0.47	0.48	0.50	0.51	0.53	0.55	0.58

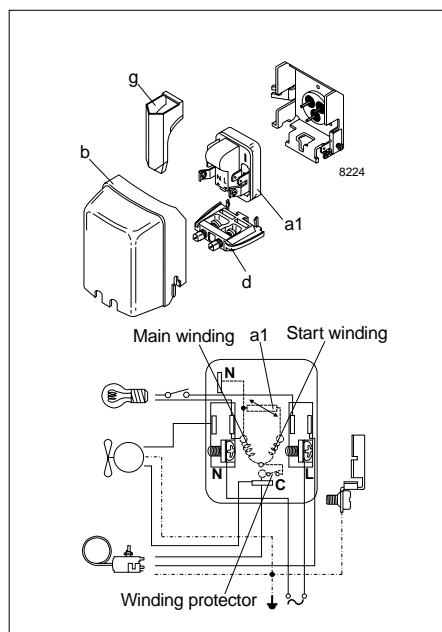
**COP (EN 12900/CECOMAF)**
**W/W**

Comp. °C	-35	-30	-25	-23.3	-20	-15	-10
PL50F	0.32	0.50	0.67	0.72	0.82	0.97	1.11

**COP (ASHRAE)**
**W/W**

Comp. °C	-35	-30	-25	-23.3	-20	-15	-10
PL50F	0.40	0.62	0.82	0.89	1.01	1.20	1.38

Test conditions	EN 12900/CECOMAF	ASHRAE
Condensing temperature	55°C	55°C
Ambient and suction gas temp.	32°C	32°C
Liquid temperature	55°C	32°C
Static cooling, 220V 50Hz, PTC consumption incl.		


**Accessories**

Devices	Fig.	PL50F
PTC starting device 6.3 mm spades 4.8 mm spades	a1	103N0011 103N0018
Cover	b	103N0491
Cord relief	d	103N1010
Protection screen for PTC	g	103N0476
Mounting accessories		
Bolt joint for one compressor		118-1917
Bolt joint in quantities		118-1918
Snap-on in quantities		118-1919

# PL50F

## Standard Compressor

### HST Starting Characteristics

### R134a

### 220-240V 50Hz

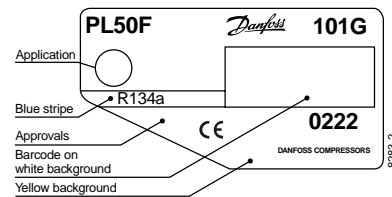
Data Sheet (Replaces CD.41.G1.02)

#### General

Compressor	<b>PL50F</b>
Code number	101G0222

#### Application

Application		MBP
Evaporating temperature range	°C	-25 to 0
Voltage range	V/Hz	198 - 254 /50
Motor type		CSIR
Max. ambient temperature	°C	38
Comp. cooling at ambient temp.	32°C	F <sub>2</sub>
	38°C	F <sub>2</sub>



- S = Static cooling normally sufficient
- O = Oil cooling
- F<sub>1</sub> = Fan cooling 1.5 m/s  
(compressor compartment temperature equal to ambient temperature)
- F<sub>2</sub> = Fan cooling 3.0 m/s necessary

#### Design

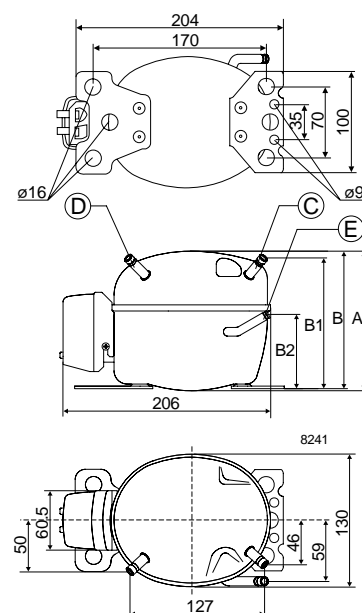
Displacement	cm <sup>3</sup>	2.50
Oil quantity	cm <sup>3</sup>	150
Maximum refrigerant charge	g	300
Free gas vol. in compressor	cm <sup>3</sup>	850
Weight without electrical equipment	kg	4.3

#### Motor

Motor size	watt	54
LRA (rated after 4 sec. UL984) HST	A	4.2
Cut-in current HST	A	4.2
Resistance, main and start winding (25°C)	Ω	38.0/14.0
Approvals		EN 60335-2-34 with Annex AA

#### Dimensions

Height	mm	A	137
		B	135
		B1	128
		B2	73
Suction connector	location/I.D. mm	C	6.2 ±0.09
Process connector	location/I.D. mm	D	6.2 ±0.09
Discharge connector	location/I.D. mm	E	5.0 +0.12/+0.20
Compressors on a pallet	pcs.		150



**Capacity (EN 12900/CECOMAF) watt**

Comp. °C	-25	-23.3	-20	-15	-10	-5	0
PL50F	40.0	45.1	55.8	74.1	95.2	120	148

**Capacity (ASHRAE) watt**

Comp. °C	-25	-23.3	-20	-15	-10	-5	0
PL50F	49.3	55.6	68.9	91.5	118	148	183

**Power consumption watt**

Comp. °C	-25	-23.3	-20	-15	-10	-5	0
PL50F	58.0	60.7	66.1	74.5	83.6	93.7	105

**Current consumption A**

Comp. °C	-25	-23.3	-20	-15	-10	-5	0
PL50F	0.50	0.51	0.53	0.55	0.58	0.62	0.66

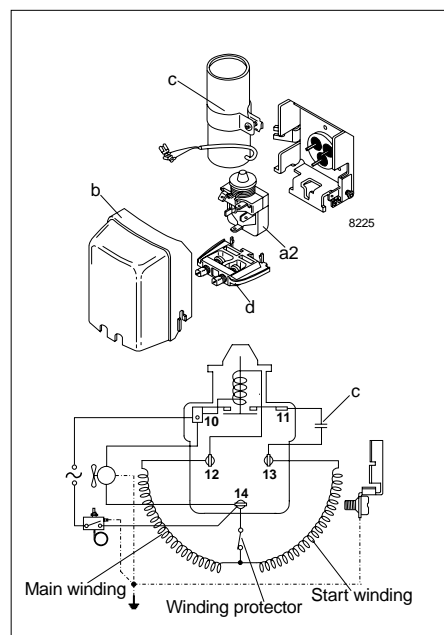
**COP (EN 12900/CECOMAF) W/W**

Comp. °C	-25	-23.3	-20	-15	-10	-5	0
PL50F	0.69	0.74	0.84	0.99	1.14	1.28	1.41

**COP (ASHRAE) W/W**

Comp. °C	-25	-23.3	-20	-15	-10	-5	0
PL50F	0.85	0.92	1.04	1.23	1.41	1.58	1.74

Test conditions	EN 12900/CECOMAF	ASHRAE
Condensing temperature	55°C	55°C
Ambient and suction gas temp.	32°C	32°C
Liquid temperature	55°C	32°C
Fan cooling, 220V 50Hz		



**Accessories**

Devices	Fig.	PL50F
Starting relay	a2	117U6021
Cover	b	103N0491
Starting capacitor 60 µF	c	117U5014
Cord relief	d	103N1010
Mounting accessories		
Bolt joint for one compressor		118-1917
Bolt joint in quantities		118-1918
Snap-on in quantities		118-1919



# TL2.5F

## Standard Compressor

### R134a

### 220-240V 50Hz

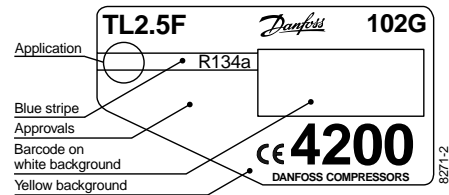
Data Sheet (Replaces CD.42.S3.02)

#### General

Compressor	TL2.5F
Code number (small baseplate)	102G4200
Code number (large baseplate)	102G4201

#### Application

Application	MBP
Evaporating temperature range	°C -25 to 0
Voltage range	V/Hz 198 - 254 /50
Motor type	RSIR
Max. ambient temperature	°C 38
Comp. cooling at ambient temp.	32°C S 38°C S



- S = Static cooling normally sufficient
- O = Oil cooling
- F<sub>1</sub> = Fan cooling 1.5 m/s  
(compressor compartment temperature equal to ambient temperature)
- F<sub>2</sub> = Fan cooling 3.0 m/s necessary

#### Design

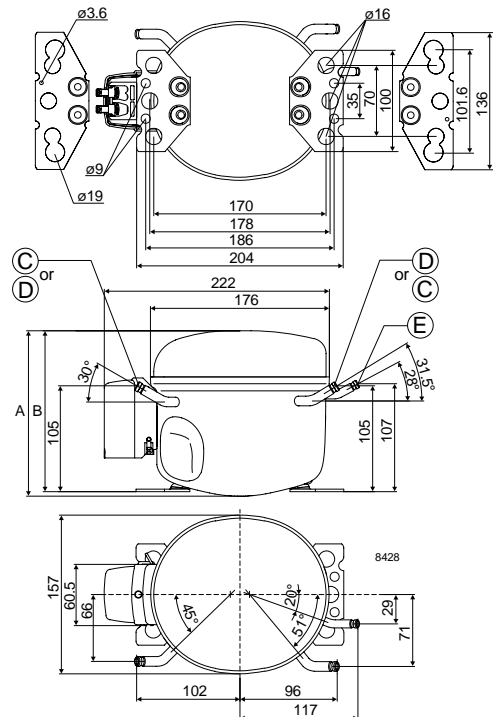
Displacement	cm <sup>3</sup>	2.61
Oil quantity	cm <sup>3</sup>	180
Maximum refrigerant charge	g	400
Free gas vol. in compressor	cm <sup>3</sup>	1600
Weight without electrical equipment	kg	6.7

#### Motor

Motor size	watt	60
LRA (rated after 4 sec. UL984) LST	A	2.3
Cut-in current LST	A	7.0
Resistance, main and start winding (25°C)	Ω	40.0/15.0
Approvals	EN 60335-2-34 with Annex AA, CCIB	

#### Dimensions

		102G4200	102G4201
Height	mm	A	163
		B	159
Suction connector	location/I.D. mm	C 6.2 ±0.09	6.5 ±0.09
Process connector	location/I.D. mm	D 6.2 ±0.09	6.5 ±0.09
Discharge connector	location/I.D. mm	E 5.0+0.12/+0.20	5.0+0.12/+0.20
Compressors on a pallet	pcs.	125	



**Capacity (EN 12900/CECOMAF)**

Comp. °C	-25	-23.3	-20	-15	-10	-5	0
TL2.5F	32	37	47	65	86	110	137

**watt**
**Capacity (ASHRAE)**

Comp. °C	-25	-23.3	-20	-15	-10	-5	0
TL2.5F	39	45	58	80	106	136	169

**watt**
**Power consumption**

Comp. °C	-25	-23.3	-20	-15	-10	-5	0
TL2.5F	54	57	63	71	80	89	98

**watt**
**Current consumption**

Comp. °C	-25	-23.3	-20	-15	-10	-5	0
TL2.5F	0.44	0.45	0.46	0.49	0.52	0.55	0.58

**A**
**COP (EN 12900/CECOMAF)**

Comp. °C	-25	-23.3	-20	-15	-10	-5	0
TL2.5F	0.59	0.64	0.75	0.91	1.07	1.24	1.40

**W/W**
**COP (ASHRAE)**

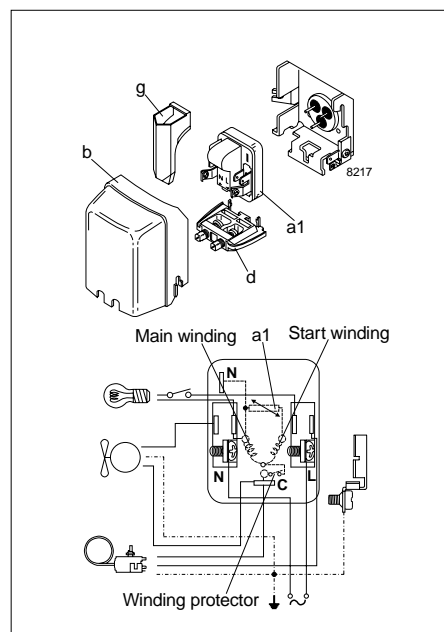
Comp. °C	-25	-23.3	-20	-15	-10	-5	0
TL2.5F	0.73	0.79	0.92	1.12	1.33	1.53	1.73

**W/W**

Test conditions

Condensing temperature	EN 12900/CECOMAF 55°C	ASHRAE 55°C
Ambient and suction gas temp.	32°C	32°C
Liquid temperature	55°C	32°C

Static cooling, 220V 50Hz,  
PTC consumption incl.


**Accessories**

Devices	Fig.	TL2.5F
PTC starting device 6.3 mm spades 4.8 mm spades	a1	103N0011 103N0018
Cover	b	103N2010
Cord relief	d	103N1010
Protection screen for PTC	g	103N0476
Mounting accessories		
Bolt joint for one compressor		118-1917
Bolt joint in quantities		118-1918
Snap-on in quantities		118-1919

# TL3F

## Standard Compressor

### R134a

### 220-240V 50Hz

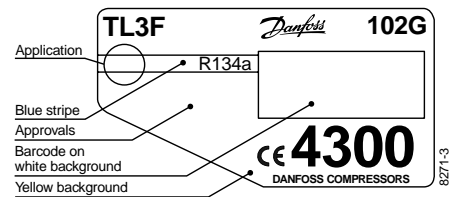
Data Sheet (Replaces CD.42.I5.02)

#### General

Compressor	TL3F
Code number	102G4300

#### Application

Application	MBP
Evaporating temperature range	°C -25 to 0
Voltage range	V/Hz 198 - 254 /50
Motor type	RSIR/CSIR
Max. ambient temperature	°C 38
Comp. cooling at ambient temp.	32°C S
	38°C S



- S = Static cooling normally sufficient
- O = Oil cooling
- F<sub>1</sub> = Fan cooling 1.5 m/s  
(compressor compartment temperature equal to ambient temperature)
- F<sub>2</sub> = Fan cooling 3.0 m/s necessary

#### Design

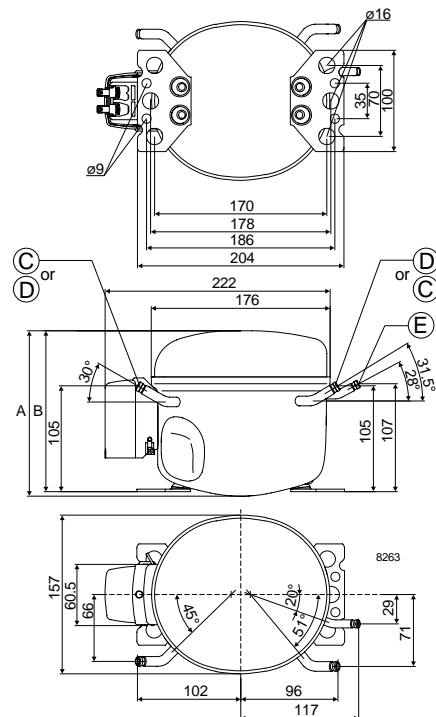
Displacement	cm <sup>3</sup>	3.13
Oil quantity	cm <sup>3</sup>	180
Maximum refrigerant charge	g	400
Free gas vol. in compressor	cm <sup>3</sup>	1600
Weight without electrical equipment	kg	6.7

#### Motor

Motor size	watt	75
LRA (rated after 4 sec. UL984) LST/HST	A	2.8/4.5
Cut-in current LST/HST	A	7.5/4.5
Resistance, main and start winding (25°C)	Ω	31.5/15.0
Approvals	EN 60335-2-34 with Annex AA, CCIB	

#### Dimensions

Height	mm	A	163
		B	159
Suction connector	location/I.D. mm	C	6.2 ±0.09
Process connector	location/I.D. mm	D	6.2 ±0.09
Discharge connector	location/I.D. mm	E	5.0 +0.12/+0.20
Compressors on a pallet	pcs.		125



**Capacity (EN 12900/CECOMAF)**
**watt**

Comp. °C	-25	-23.3	-20	-15	-10	-5	0
TL3F	42	48	60	82	108	138	173

**Capacity (ASHRAE)**
**watt**

Comp. °C	-25	-23.3	-20	-15	-10	-5	0
TL3F	52	59	74	101	133	171	214

**Power consumption**
**watt**

Comp. °C	-25	-23.3	-20	-15	-10	-5	0
TL3F	66	69	76	87	99	111	124

**Current consumption**
**A**

Comp. °C	-25	-23.3	-20	-15	-10	-5	0
TL3F	0.50	0.51	0.52	0.54	0.57	0.61	0.67

**COP (EN 12900/CECOMAF)**
**W/W**

Comp. °C	-25	-23.3	-20	-15	-10	-5	0
TL3F	0.64	0.69	0.79	0.94	1.09	1.24	1.39

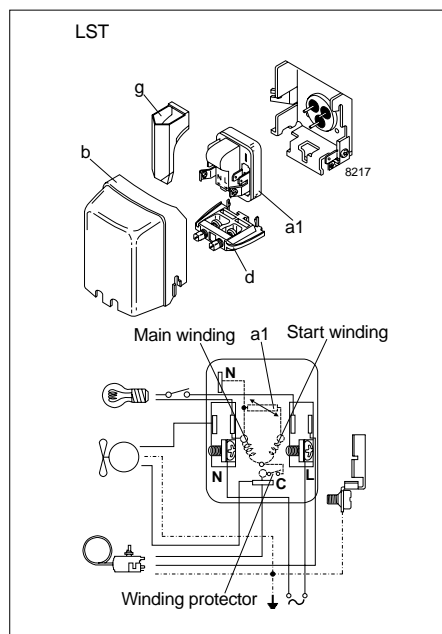
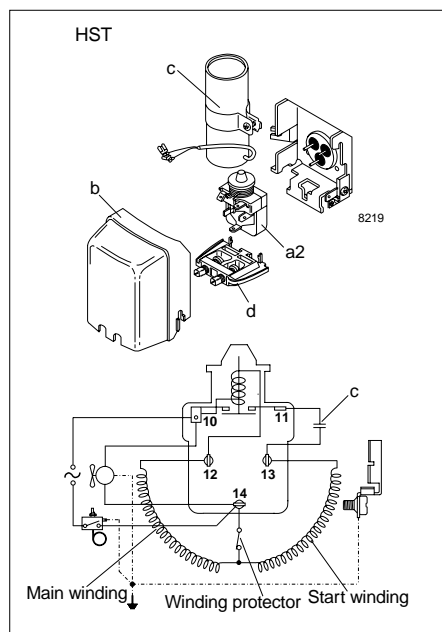
**COP (ASHRAE)**
**W/W**

Comp. °C	-25	-23.3	-20	-15	-10	-5	0
TL3F	0.78	0.85	0.97	1.16	1.35	1.53	1.72

Test conditions	EN 12900/CECOMAF	ASHRAE
Condensing temperature	55°C	55°C
Ambient and suction gas temp.	32°C	32°C
Liquid temperature	55°C	32°C
Static cooling, 220V 50Hz, PTC consumption incl.		

**Accessories**

Devices	Fig.	TL3F
PTC starting device 6.3 mm spades 4.8 mm spades	a1	103N0011 103N0018
Starting relay	a2	117U6007
Cover	b	103N2010
Starting capacitor 60 µF	c	117U5014
Cord relief	d	103N1010
Protection screen for PTC	g	103N0476
Mounting accessories		
Bolt joint for one compressor		118-1917
Bolt joint in quantities		118-1918
Snap-on in quantities		118-1919



# TL4F

## Standard Compressor

### R134a

### 220-240V 50Hz

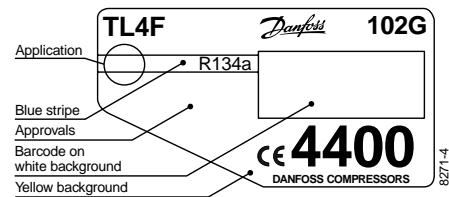
Data Sheet (Replaces CD.42.Z1.02)

#### General

Compressor	TL4F
Code number	102G4400
Code number	102G4426

#### Application

Application	LBP
Evaporating temperature range	°C -35 to -10
Voltage range	V/Hz 198 - 254 /50
Motor type	RSIR/CSIR
Max. ambient temperature	°C 38
Comp. cooling at ambient temp.	32°C S
	38°C S



- S = Static cooling normally sufficient
- O = Oil cooling
- F<sub>1</sub> = Fan cooling 1.5 m/s  
(compressor compartment temperature equal to ambient temperature)
- F<sub>2</sub> = Fan cooling 3.0 m/s necessary

#### Design

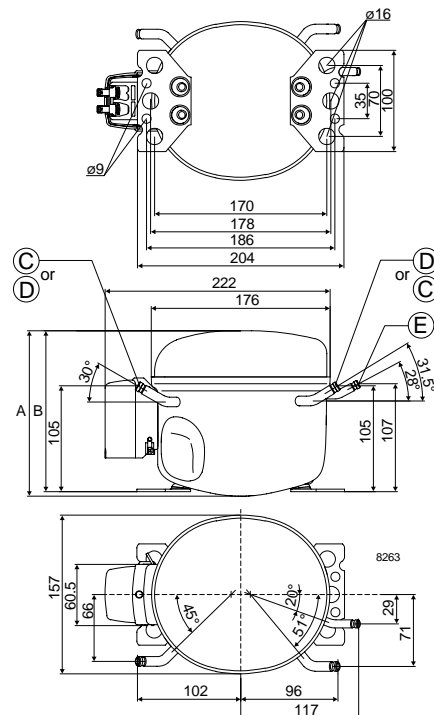
Displacement	cm <sup>3</sup>	3.86
Oil quantity	cm <sup>3</sup>	180
Maximum refrigerant charge	g	400
Free gas vol. in compressor	cm <sup>3</sup>	1600
Weight without electrical equipment	kg	6.7

#### Motor

Motor size	watt	85
alternative motor		80
LRA (rated after 4 sec. UL984) LST/HST	A	3.2/4.8
alternative motor		3.2/4.6
Cut-in current LST/HST	A	7.5/4.8
alternative motor		7.8/4.6
Resistance, main and start winding (25°C)	Ω	25.7/16.3
alternative motor		26.8/13.5
Approvals		EN 60335-2-34 with Annex AA, CCIB

#### Dimensions

		102G4400	102G4426
Height	mm	A	163
		B	159
Suction connector	location/I.D. mm	C 6.2 ±0.09	6.5 ±0.09
Process connector	location/I.D. mm	D 6.2 ±0.09	6.5 ±0.09
Discharge connector	location/I.D. mm	E 5.0 +0.12+0.20	5.0 +0.12+0.20
Compressors on a pallet	pcs.	125	



**Capacity (EN 12900/CECOMAF)**
**watt**

Comp. °C	-35	-30	-25	-23.3	-20	-15	-10
TL4F	31	44	61	67	81	107	137

**Capacity (ASHRAE)**
**watt**

Comp. °C	-35	-30	-25	-23.3	-20	-15	-10
TL4F	38	54	75	83	100	131	170

**Power consumption**
**watt**

Comp. °C	-35	-30	-25	-23.3	-20	-15	-10
TL4F	60	70	81	85	93	107	122

**Current consumption**
**A**

Comp. °C	-35	-30	-25	-23.3	-20	-15	-10
TL4F	0.51	0.53	0.55	0.56	0.58	0.63	0.69

**COP (EN 12900/CECOMAF)**
**W/W**

Comp. °C	-35	-30	-25	-23.3	-20	-15	-10
TL4F	0.52	0.63	0.75	0.79	0.88	1.00	1.12

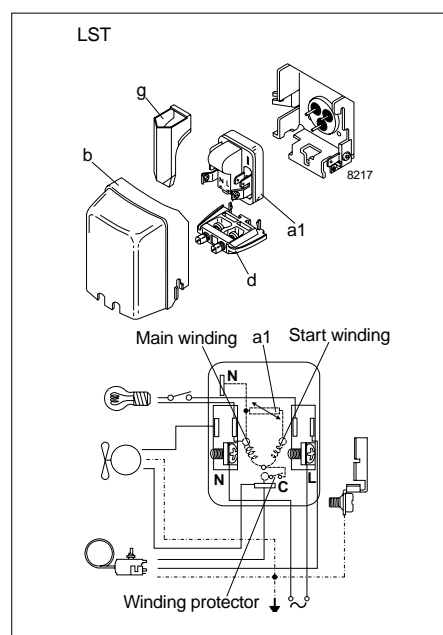
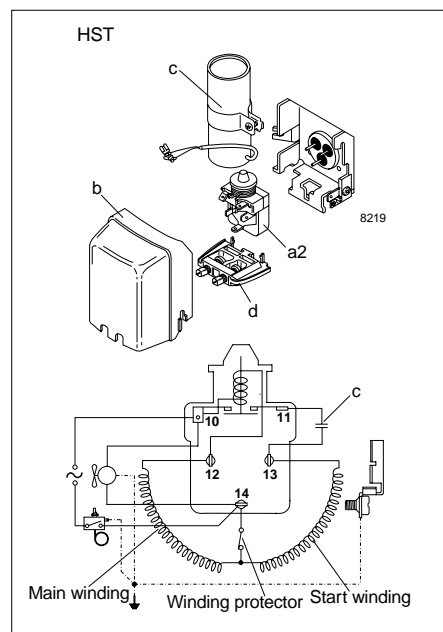
**COP (ASHRAE)**
**W/W**

Comp. °C	-35	-30	-25	-23.3	-20	-15	-10
TL4F	0.64	0.77	0.92	0.98	1.08	1.24	1.38

Test conditions	EN 12900/CECOMAF	ASHRAE
Condensing temperature	55°C	55°C
Ambient and suction gas temp.	32°C	32°C
Liquid temperature	55°C	32°C
Static cooling, 220V 50Hz, PTC consumption incl.		

**Accessories**

Devices	Fig.	TL4F
PTC starting device 6.3 mm spades 4.8 mm spades	a1	103N0011 103N0018
Starting relay	a2	117U6009
Cover	b	103N2010
Starting capacitor 60 µF	c	117U5014
Cord relief	d	103N1010
Protection screen for PTC	g	103N0476
Mounting accessories		
Bolt joint for one compressor		118-1917
Bolt joint in quantities		118-1918
Snap-on in quantities		118-1919



# TL5F

## Standard Compressor

### R134a

### 220-240V 50Hz

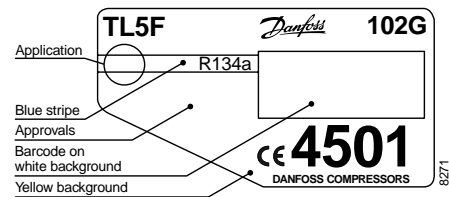
Data Sheet (Replaces CG.42.B1.02)

#### General

Compressor	TL5F
Code number	102G4501

#### Application

Application	LBP
Evaporating temperature range	°C -35 to -10
Voltage range	V/Hz 198 - 254 /50
Motor type	RSIR/CSIR
Max. ambient temperature	°C 38
Comp. cooling at ambient temp.	32°C S
	38°C S



- S = Static cooling normally sufficient
- O = Oil cooling
- F<sub>1</sub> = Fan cooling 1.5 m/s  
(compressor compartment temperature equal to ambient temperature)
- F<sub>2</sub> = Fan cooling 3.0 m/s necessary

#### Design

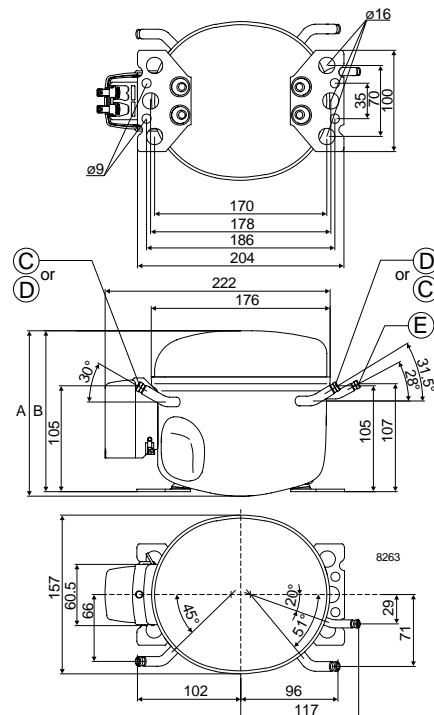
Displacement	cm <sup>3</sup>	5.08
Oil quantity	cm <sup>3</sup>	180
Maximum refrigerant charge	g	400
Free gas vol. in compressor	cm <sup>3</sup>	1790
Weight without electrical equipment	kg	7.5

#### Motor

Motor size	watt	110
alternative motor		125
LRA (rated after 4 sec. UL984) LST/HST	A	4.3/5.1
alternative motor		4.7/5.8
Cut-in current LST/HST	A	8.6/5.1
alternative motor		8.7/5.8
Resistance, main and start winding (25°C)	Ω	18.2/15.1
alternative motor		16.0/17.0
Approvals		EN 60335-2-34 with Annex AA, CCIB

#### Dimensions

Height	mm	A	173
		B	169
Suction connector	location/l.D. mm	C	6.2 ±0.09
Process connector	location/l.D. mm	D	6.2 ±0.09
Discharge connector	location/l.D. mm	E	5.0 +0.12/+0.20
Compressors on a pallet	pcs.		125





**Capacity (EN 12900/CECOMAF)**
**watt**

Comp. °C	-35	-30	-25	-23.3	-20	-15	-10
TL5F	43	60	82	91	110	144	183

**Capacity (ASHRAE)**
**watt**

Comp. °C	-35	-30	-25	-23.3	-20	-15	-10
TL5F	53	74	101	112	136	177	226

**Power consumption**
**watt**

Comp. °C	-35	-30	-25	-23.3	-20	-15	-10
TL5F	70	85	101	107	118	136	154

**Current consumption**
**A**

Comp. °C	-35	-30	-25	-23.3	-20	-15	-10
TL5F	0.75	0.78	0.81	0.83	0.86	0.91	0.97

**COP (EN 12900/CECOMAF)**
**W/W**

Comp. °C	-35	-30	-25	-23.3	-20	-15	-10
TL5F	0.61	0.70	0.81	0.85	0.93	1.06	1.19

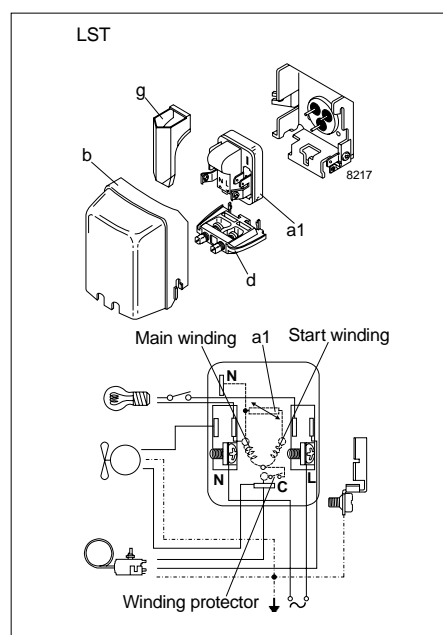
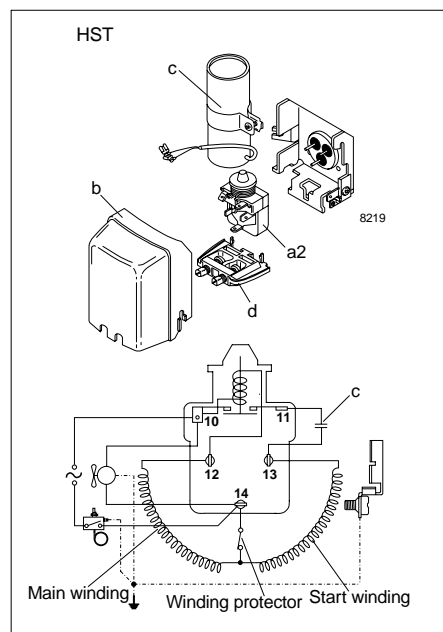
**COP (ASHRAE)**
**W/W**

Comp. °C	-35	-30	-25	-23.3	-20	-15	-10
TL5F	0.75	0.86	1.00	1.05	1.15	1.30	1.47

Test conditions	EN 12900/CECOMAF	ASHRAE
Condensing temperature	55°C	55°C
Ambient and suction gas temp.	32°C	32°C
Liquid temperature	55°C	32°C
Static cooling, 220V 50Hz, PTC consumption incl.		

**Accessories**

Devices	Fig.	TL5F
PTC starting device 6.3 mm spades 4.8 mm spades	a1	103N0011 103N0018
Starting relay	a2	117U6004
Cover	b	103N2010
Starting capacitor 60 µF	c	117U5014
Cord relief	d	103N1010
Protection screen for PTC	g	103N0476
Mounting accessories		
Bolt joint for one compressor		118-1917
Bolt joint in quantities		118-1918
Snap-on in quantities		118-1919





**Capacity (EN 12900/CECOMAF)**
**watt**

Comp. °C	-35	-30	-25	-23.3	-20	-15	-10
TLS4F	34.6	51.5	72.0	79.9	96.8	126	162

**Capacity (ASHRAE)**
**watt**

Comp. °C	-35	-30	-25	-23.3	-20	-15	-10
TLS4F	42.6	63.5	88.9	98.6	119	156	200

**Power consumption**
**watt**

Comp. °C	-35	-30	-25	-23.3	-20	-15	-10
TLS4F	67.5	77.8	89.0	93.0	101	115	130

**Current consumption**
**A**

Comp. °C	-35	-30	-25	-23.3	-20	-15	-10
TLS4F	0.59	0.62	0.66	0.68	0.71	0.76	0.81

**COP (EN 12900/CECOMAF)**
**W/W**

Comp. °C	-35	-30	-25	-23.3	-20	-15	-10
TLS4F	0.51	0.66	0.81	0.86	0.96	1.10	1.25

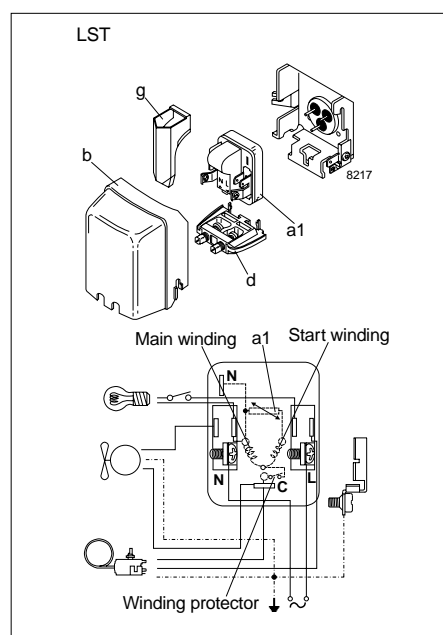
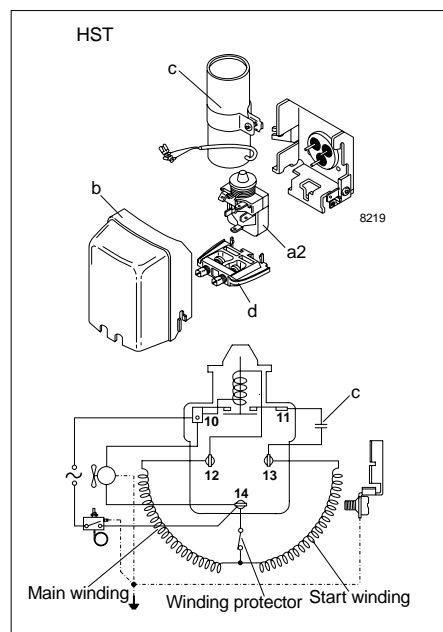
**COP (ASHRAE)**
**W/W**

Comp. °C	-35	-30	-25	-23.3	-20	-15	-10
TLS4F	0.63	0.82	1.00	1.06	1.18	1.36	1.54

Test conditions	EN 12900/CECOMAF	ASHRAE
Condensing temperature	55°C	55°C
Ambient and suction gas temp.	32°C	32°C
Liquid temperature	55°C	32°C
Static cooling, 220V 50Hz		

**Accessories**

Devices	Fig.	TLS4F
PTC starting device 6.3 mm spades 4.8 mm spades	a1	103N0011 103N0018
Starting relay	a2	117U6009
Cover	b	103N2010
Starting capacitor 60 µF	c	117U5014
Cord relief	d	103N1010
Protection screen for PTC	g	103N0476
Mounting accessories		
Bolt joint for one compressor		118-1917
Bolt joint in quantities		118-1918
Snap-on in quantities		118-1919





**Capacity (EN 12900/CECOMAF) watt**

Comp.°C	-35	-30	-25	-23.3	-20	-15	-10
TLS5F	47.8	70.7	98.0	109	131	170	216

**Capacity (ASHRAE) watt**

Comp.°C	-35	-30	-25	-23.3	-20	-15	-10
TLS5F	58.9	87.2	121	134	161	209	267

**Power consumption watt**

Comp.°C	-35	-30	-25	-23.3	-20	-15	-10
TLS5F	82.7	97.1	112	117	128	144	162

**Current consumption A**

Comp.°C	-35	-30	-25	-23.3	-20	-15	-10
TLS5F	0.96	0.98	1.01	1.02	1.05	1.10	1.15

**COP (EN 12900/CECOMAF) W/W**

Comp.°C	-35	-30	-25	-23.3	-20	-15	-10
TLS5F	0.58	0.73	0.88	0.93	1.02	1.18	1.33

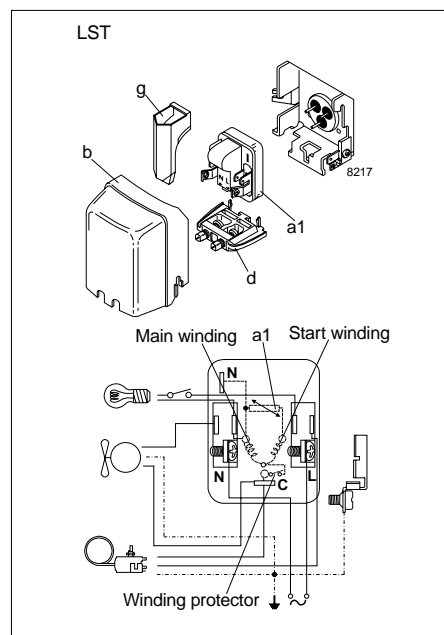
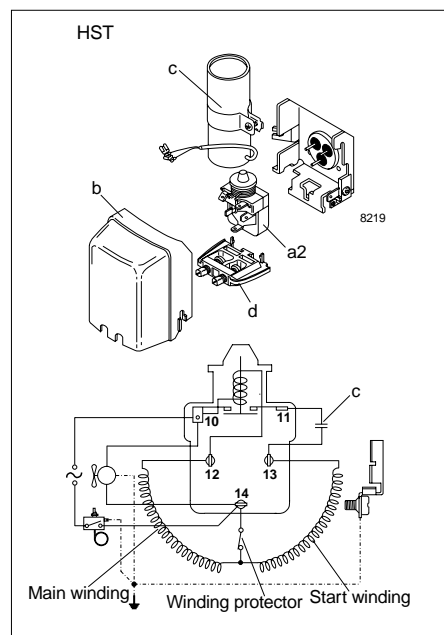
**COP (ASHRAE) W/W**

Comp.°C	-35	-30	-25	-23.3	-20	-15	-10
TLS5F	0.71	0.90	1.08	1.14	1.26	1.45	1.65

Test conditions	EN 12900/CECOMAF	ASHRAE
Condensing temperature	55°C	55°C
Ambient and suction gas temp.	32°C	32°C
Liquid temperature	55°C	32°C
Static cooling, 220V 50Hz, PTC consumption incl.		

**Accessories**

Devices	Fig.	TLS5F
PTC starting device	6.3 mm spades 4.8 mm spades	a1 103N0011 103N0018
Starting relay	a2	117U6004
Cover	b	103N2010
Starting capacitor 60 µF	c	117U5014
Cord relief	d	103N1010
Protection screen for PTC	g	103N0476
Mounting accessories		
Bolt joint for one compressor		118-1917
Bolt joint in quantities		118-1918
Snap-on in quantities		118-1919



# TLS6F

## Standard Compressor

### R134a

### 220-240V 50Hz

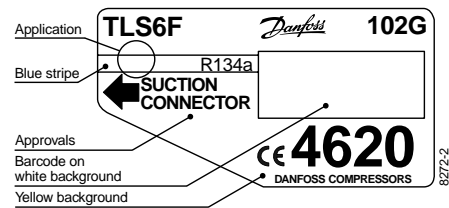
Data Sheet (Replaces CG.42.G1.02)

#### General

Compressor	TLS6F
Code number	102G4620

#### Application

Application	LBP
Evaporating temperature range	°C -35 to -10
Voltage range	V/Hz 198 - 254 /50
Motor type	RSIR/CSIR
Max. ambient temperature	°C 38
Comp. cooling at ambient temp.	32°C S
	38°C S



- S = Static cooling normally sufficient
- O = Oil cooling
- F<sub>1</sub> = Fan cooling 1.5 m/s  
(compressor compartment temperature equal to ambient temperature)
- F<sub>2</sub> = Fan cooling 3.0 m/s necessary

#### Design

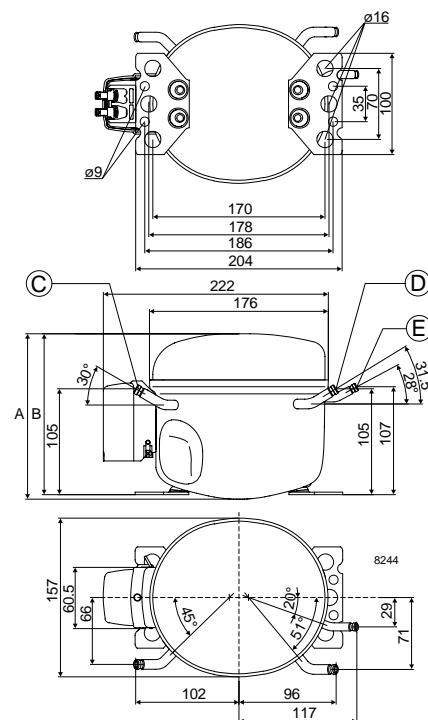
Displacement	cm <sup>3</sup>	5.70
Oil quantity	cm <sup>3</sup>	180
Maximum refrigerant charge	g	400
Free gas vol. in compressor	cm <sup>3</sup>	1790
Weight without electrical equipment	kg	7.3

#### Motor

Motor size	watt	125
alternative motor		110
LRA (rated after 4 sec. UL984) LST/HST	A	4.7/5.8
alternative motor		4.3/5.1
Cut-in current LST/HST	A	8.7/5.8
alternative motor		8.6/5.1
Resistance, main and start winding (25°C)	Ω	16.0/17.0
alternative motor		18.2/15.1
Approvals		EN 60335-2-34 with Annex AA

#### Dimensions

Height	mm	A	173
		B	169
Suction connector	location/l.D. mm	C	6.2 ±0.09
Process connector	location/l.D. mm	D	6.2 ±0.09
Discharge connector	location/l.D. mm	E	5.0 +0.12/+0.20
Compressors on a pallet	pcs.		125



**Capacity (EN 12900/CECOMAF) watt**

Comp. °C	-35	-30	-25	-23.3	-20	-15	-10
TLS6F	58	77	104	115	139	183	235

**Capacity (ASHRAE) watt**

Comp. °C	-35	-30	-25	-23.3	-20	-15	-10
TLS6F	71	95	128	142	172	226	290

**Power consumption watt**

Comp. °C	-35	-30	-25	-23.3	-20	-15	-10
TLS6F	84	101	119	125	138	159	181

**Current consumption A**

Comp. °C	-35	-30	-25	-23.3	-20	-15	-10
TLS6F	0.78	0.82	0.86	0.88	0.92	0.99	1.08

**COP (EN 12900/CECOMAF) W/W**

Comp. °C	-35	-30	-25	-23.3	-20	-15	-10
TLS6F	0.69	0.76	0.87	0.92	1.01	1.15	1.30

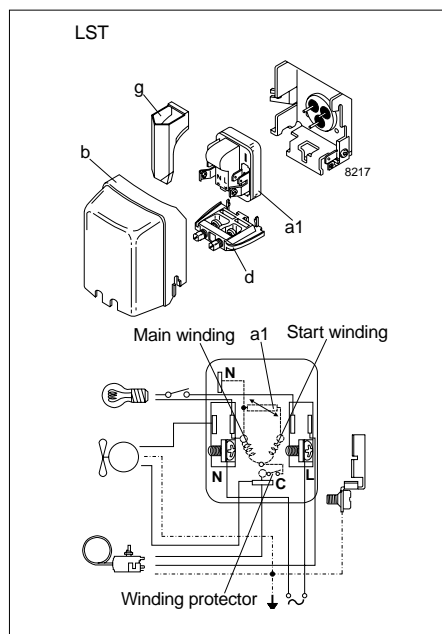
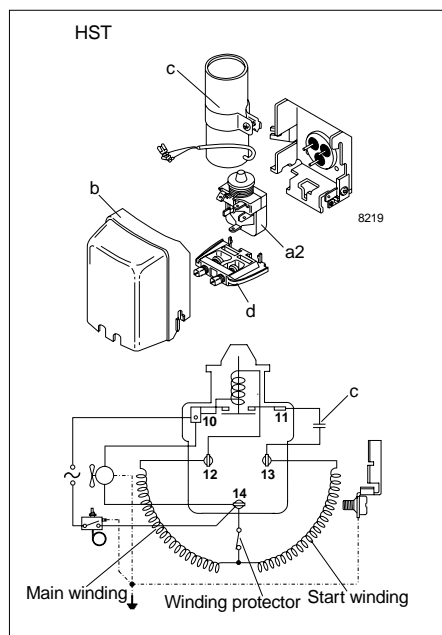
**COP (ASHRAE) W/W**

Comp. °C	-35	-30	-25	-23.3	-20	-15	-10
TLS6F	0.85	0.94	1.08	1.13	1.24	1.42	1.60

Test conditions	EN 12900/CECOMAF	ASHRAE
Condensing temperature	55°C	55°C
Ambient and suction gas temp.	32°C	32°C
Liquid temperature	55°C	32°C
Static cooling, 220V 50Hz,		
PTC consumption incl.		

**Accessories**

Devices	Fig.	TLS6F
PTC starting device 6.3 mm spades 4.8 mm spades	a1	103N0011 103N0018
Starting relay	a2	117U6004
Cover	b	103N2010
Starting capacitor 60 µF	c	117U5014
Cord relief	d	103N1010
Protection screen for PTC	g	103N0476
Mounting accessories		
Bolt joint for one compressor		118-1917
Bolt joint in quantities		118-1918
Snap-on in quantities		118-1919







**Capacity (EN 12900/CECOMAF)**

Comp. °C	-35	-30	-25	-23.3	-20	-15	-10
TLS7F	66	89	120	133	160	208	264

**Capacity (ASHRAE)**

Comp. °C	-35	-30	-25	-23.3	-20	-15	-10
TLS7F	81	109	148	163	197	256	326

**Power consumption**

Comp. °C	-35	-30	-25	-23.3	-20	-15	-10
TLS7F	97	116	136	143	158	182	207

**Current consumption**

Comp. °C	-35	-30	-25	-23.3	-20	-15	-10
TLS7F	0.87	0.91	0.96	0.98	1.03	1.11	1.20

**COP (EN 12900/CECOMAF)**

Comp. °C	-35	-30	-25	-23.3	-20	-15	-10
TLS7F	0.68	0.77	0.88	0.92	1.01	1.14	1.28

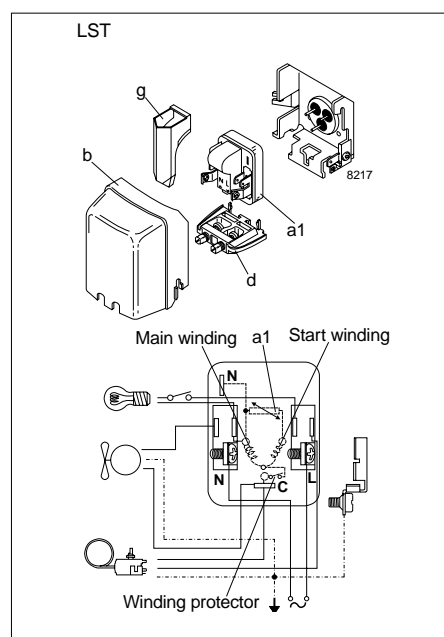
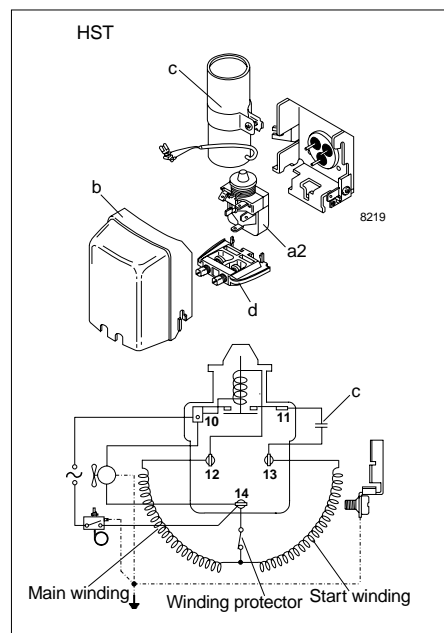
**COP (ASHRAE)**

Comp. °C	-35	-30	-25	-23.3	-20	-15	-10
TLS7F	0.84	0.94	1.09	1.14	1.24	1.41	1.57

Test conditions	EN 12900/CECOMAF	ASHRAE
Condensing temperature	55°C	55°C
Ambient and suction gas temp.	32°C	32°C
Liquid temperature	55°C	32°C
Static cooling, 220V 50Hz, PTC consumption incl.		

**Accessories**

Devices	Fig.	TLS7F
PTC starting device	6.3 mm spades	a1
	4.8 mm spades	103N0011 103N0018
PTC starting device	6.3 mm spades	a1**
	4.8 mm spades	103N0016* 103N0021*
Starting relay	a2	117U6000
Cover	b	103N2010
Starting capacitor 60 µF	c	117U5014
Cord relief	d	103N1010
Protection screen for PTC	g	103N0476
Run capacitor 4 µF	6.3 mm spades	117-7117*
	4.8 mm spades	117-7119*
Mounting accessories		
	Bolt joint for one compressor	118-1917
	Bolt joint in quantities	118-1918
	Snap-on in quantities	118-1919



\* run capacitor 4 µF compulsory in 38°C ambient temperature

\*\* with connector for RC

# NL6F

## Standard Compressor

### R134a

### 220-240V 50Hz

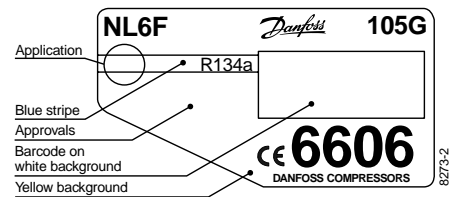
Data Sheet (Replaces CD.43.P4.02)

#### General

Compressor	<b>NL6F</b>
Code number	105G6606

#### Application

Application		LBP
Evaporating temperature range	°C	-35 to -10
Voltage range	V/Hz	198 - 254 /50
Motor type		RSIR/CSIR
Max. ambient temperature	°C	38
Comp. cooling at ambient temp.	32°C	S
	38°C	S



- S = Static cooling normally sufficient
- O = Oil cooling
- F<sub>1</sub> = Fan cooling 1.5 m/s  
(compressor compartment temperature equal to ambient temperature)
- F<sub>2</sub> = Fan cooling 3.0 m/s necessary

#### Design

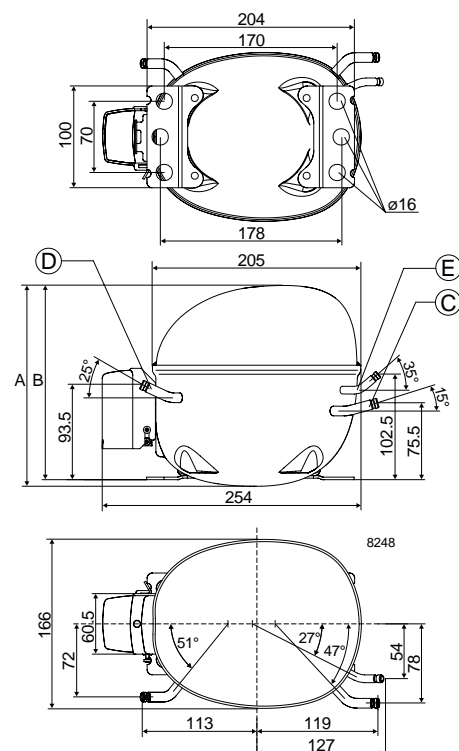
Displacement	cm <sup>3</sup>	6.13
Oil quantity	cm <sup>3</sup>	320
Maximum refrigerant charge	g	400
Free gas vol. in compressor	cm <sup>3</sup>	2130
Weight without electrical equipment	kg	9.3

#### Motor

Motor size	watt	125
LRA (rated after 4 sec. UL984) LST/HST	A	5.0/5.0
Cut-in current LST/HST	A	9.6/5.0
Resistance, main and start winding (25°C)	Ω	16.0/13.6
Approvals		EN 60335-2-34 with Annex AA

#### Dimensions

Height	mm	A	190
		B	183
Suction connector	location/I.D. mm	C	6.2 ±0.09
Process connector	location/I.D. mm	D	6.2 ±0.09
Discharge connector	location/I.D. mm	E	5.0 +0.12/+0.20
Compressors on a pallet	pcs.		80



**Capacity (EN 12900/CECOMAF)**

Comp. °C	-35	-30	-25	-23.3	-20	-15	-10
NL6F	52	77	110	123	151	200	258

**Capacity (ASHRAE)**

Comp. °C	-35	-30	-25	-23.3	-20	-15	-10
NL6F	64	95	135	151	186	247	318

**Power consumption**

Comp. °C	-35	-30	-25	-23.3	-20	-15	-10
NL6F	80	98	118	125	139	161	185

**Current consumption**

Comp. °C	-35	-30	-25	-23.3	-20	-15	-10
NL6F	0.78	0.81	0.86	0.88	0.92	0.99	1.08

**COP (EN 12900/CECOMAF)**

Comp. °C	-35	-30	-25	-23.3	-20	-15	-10
NL6F	0.65	0.78	0.93	0.99	1.09	1.24	1.39

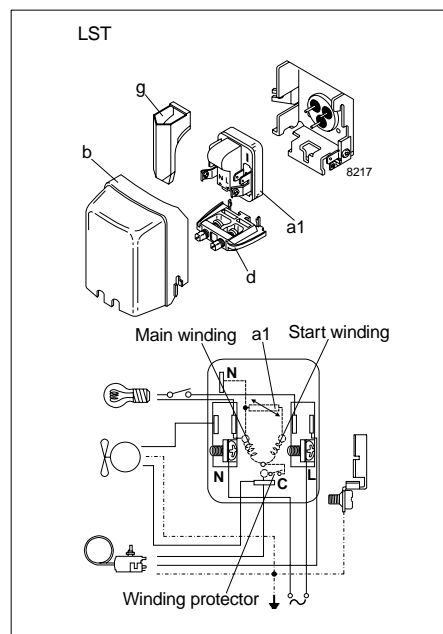
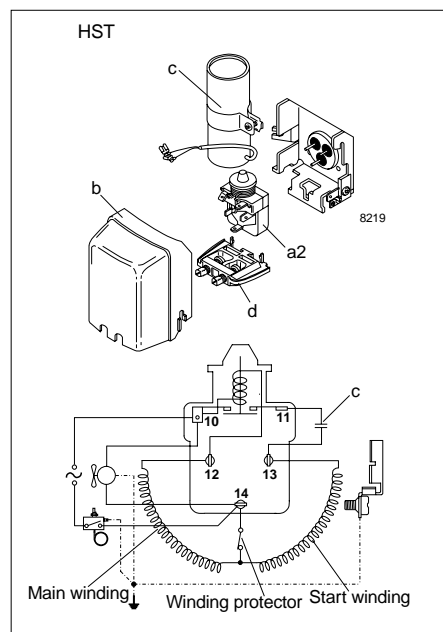
**COP (ASHRAE)**

Comp. °C	-35	-30	-25	-23.3	-20	-15	-10
NL6F	0.80	0.96	1.15	1.21	1.34	1.53	1.72

Test conditions	EN 12900/CECOMAF	ASHRAE
Condensing temperature	55°C	55°C
Ambient and suction gas temp.	32°C	32°C
Liquid temperature	55°C	32°C
Static cooling, 220V 50Hz, PTC consumption incl.		

**Accessories**

Devices	Fig.	NL6F
PTC starting device 6.3 mm spades 4.8 mm spades	a1	103N0011 103N0018
Starting relay	a2	117U6004
Cover	b	103N2010
Starting capacitor 80 µF	c	117U5015
Cord relief	d	103N1010
Protection screen for PTC	g	103N0476
Mounting accessories		
Bolt joint for one compressor		118-1917
Bolt joint in quantities		118-1918
Snap-on in quantities		118-1919



# NL7F

## Standard Compressor

### R134a

### 220-240V 50Hz

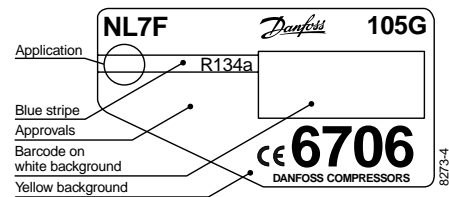
Data Sheet (Replaces CG.43.K1.02)

#### General

Compressor	NL7F
Code number	105G6706
Code number compressor with oil cooler	105G6716

#### Application

Application	LBP
Evaporating temperature range	°C -35 to -10
Voltage range	V/Hz 198 - 254 /50
Motor type	RSIR/CSIR
Max. ambient temperature	°C 38
Comp. cooling at ambient temp.	32°C S
	38°C S



- S = Static cooling normally sufficient
- O = Oil cooling
- F<sub>1</sub> = Fan cooling 1.5 m/s  
(compressor compartment temperature equal to ambient temperature)
- F<sub>2</sub> = Fan cooling 3.0 m/s necessary

#### Design

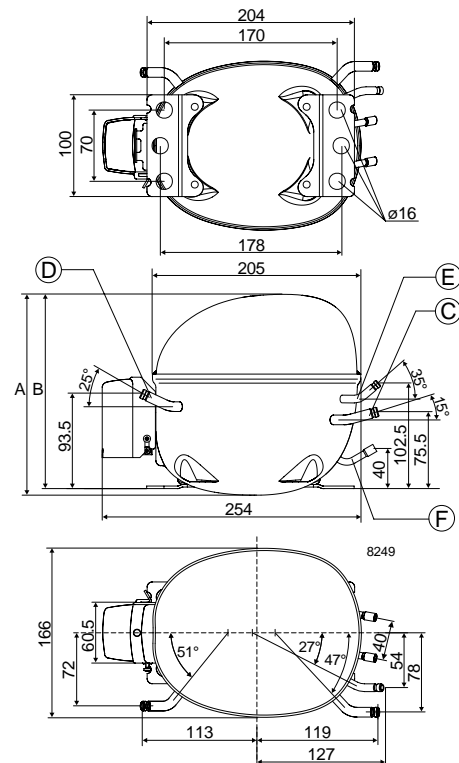
Displacement	cm <sup>3</sup>	7.27
Oil quantity	cm <sup>3</sup>	320
Maximum refrigerant charge	g	400
Free gas vol. in compressor	cm <sup>3</sup>	2180
Weight without electrical equipment	kg	9.6

#### Motor

Motor size	watt	150
LRA (rated after 4 sec. UL984) LST/HST	A	5.9/5.9
Cut-in current LST/HST	A	10.4/5.9
Resistance, main and start winding (25°C)	Ω	13.3/14.1
Approvals	EN 60335-2-34 with Annex AA, CCIB	

#### Dimensions

Height	mm	A	190
		B	183
Suction connector	location/I.D. mm	C	6.2 ±0.09
Process connector	location/I.D. mm	D	6.2 ±0.09
Discharge connector	location/I.D. mm	E	5.0 +0.12/+0.20
Oil cooler	location/I.D. mm	F	5.0 +0.12/+0.20
Compressors on a pallet	pcs.		80



**Capacity (EN 12900/CECOMAF)**
**watt**

Comp. °C	-35	-30	-25	-23.3	-20	-15	-10
NL7F	71	99	136	151	182	238	303

**Capacity (ASHRAE)**
**watt**

Comp. °C	-35	-30	-25	-23.3	-20	-15	-10
NL7F	87	122	167	186	225	293	374

**Power consumption**
**watt**

Comp. °C	-35	-30	-25	-23.3	-20	-15	-10
NL7F	97	121	146	155	173	201	232

**Current consumption**
**A**

Comp. °C	-35	-30	-25	-23.3	-20	-15	-10
NL7F	0.92	0.96	1.02	1.04	1.10	1.20	1.33

**COP (EN 12900/CECOMAF)**
**W/W**

Comp. °C	-35	-30	-25	-23.3	-20	-15	-10
NL7F	0.73	0.82	0.93	0.97	1.06	1.18	1.31

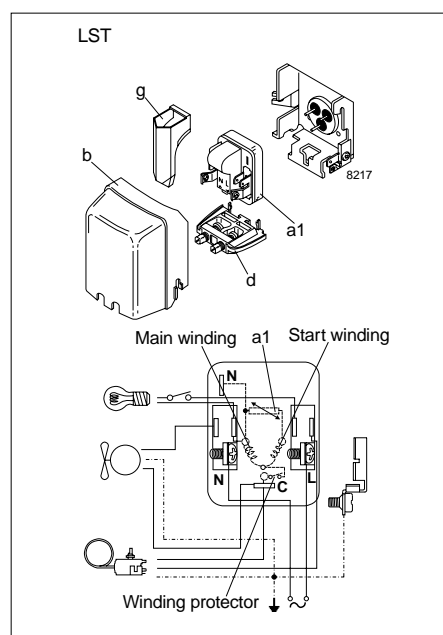
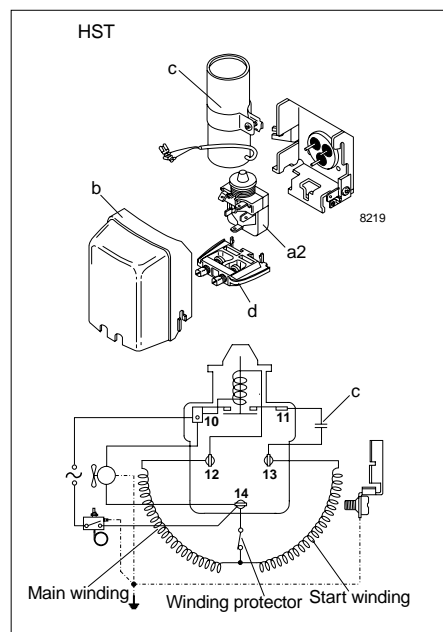
**COP (ASHRAE)**
**W/W**

Comp. °C	-35	-30	-25	-23.3	-20	-15	-10
NL7F	0.90	1.01	1.15	1.20	1.30	1.46	1.61

Test conditions	EN 12900/CECOMAF	ASHRAE
Condensing temperature	55°C	55°C
Ambient and suction gas temp.	32°C	32°C
Liquid temperature	55°C	32°C
Static cooling, 220V 50Hz, PTC consumption incl.		

**Accessories**

Devices	Fig.	NL7F
PTC starting device 6.3 mm spades 4.8 mm spades	a1	103N0011 103N0018
Starting relay	a2	117U6000
Cover	b	103N2010
Starting capacitor 80 µF	c	117U5015
Cord relief	d	103N1010
Protection screen for PTC	g	103N0476
Mounting accessories Bolt joint for one compressor Bolt joint in quantities Snap-on in quantities		118-1917 118-1918 118-1919



# NL8F

## Standard Compressor

### R134a

### 220-240V 50Hz

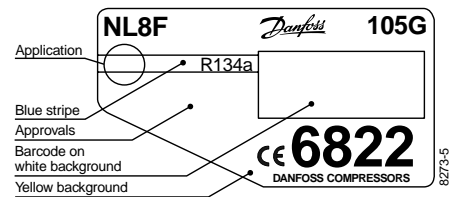
Data Sheet (Replaces CD.43.J5.02)

#### General

Compressor	<b>NL8F</b>
Code number	105G6822

#### Application

Application		LBP
Evaporating temperature range	°C	-35 to -10
Voltage range	V/Hz	198 - 254 /50
Motor type		RSIR/CSIR
Max. ambient temperature	°C	38
Comp. cooling at ambient temp.	32°C	S
	38°C	S



- S = Static cooling normally sufficient
- O = Oil cooling
- F<sub>1</sub> = Fan cooling 1.5 m/s  
(compressor compartment temperature equal to ambient temperature)
- F<sub>2</sub> = Fan cooling 3.0 m/s necessary

#### Design

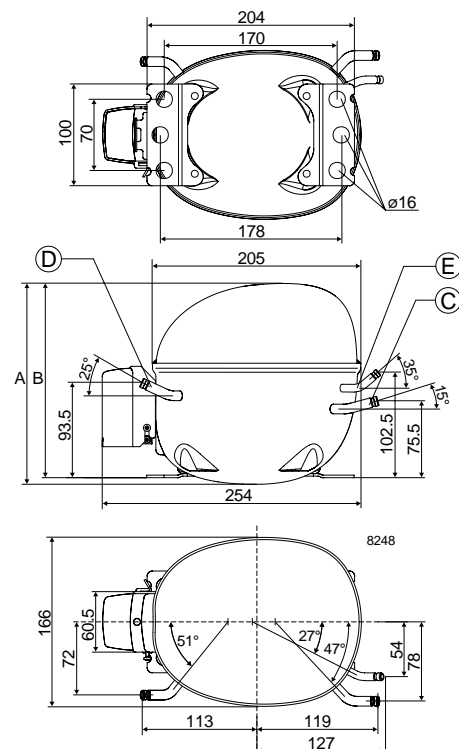
Displacement	cm <sup>3</sup>	7.95
Oil quantity	cm <sup>3</sup>	320
Maximum refrigerant charge	g	400
Free gas vol. in compressor	cm <sup>3</sup>	2230
Weight without electrical equipment	kg	9.8

#### Motor

Motor size	watt	175
LRA (rated after 4 sec. UL984) LST/HST	A	6.6/7.9
Cut-in current LST/HST	A	10.9/7.9
Resistance, main and start winding (25°C)	Ω	10.7/13.0
Approvals		EN 60335-2-34 with Annex AA

#### Dimensions

Height	mm	A	197
		B	191
Suction connector	location/I.D. mm	C	6.2 ±0.09
Process connector	location/I.D. mm	D	6.2 ±0.09
Discharge connector	location/I.D. mm	E	5.0 +0.12/+0.20
Compressors on a pallet	pcs.		80





**Capacity (EN 12900/CECOMAF)**

Comp. °C	-35	-30	-25	-23.3	-20	-15	-10
NL8F	82	112	149	163	194	249	317

**Capacity (ASHRAE)**

Comp. °C	-35	-30	-25	-23.3	-20	-15	-10
NL8F	101	139	184	201	240	308	392

**Power consumption**

Comp. °C	-35	-30	-25	-23.3	-20	-15	-10
NL8F	116	134	154	162	177	203	232

**Current consumption**

Comp. °C	-35	-30	-25	-23.3	-20	-15	-10
NL8F	0.92	0.98	1.04	1.07	1.13	1.22	1.34

**COP (EN 12900/CECOMAF)**

Comp. °C	-35	-30	-25	-23.3	-20	-15	-10
NL8F	0.70	0.84	0.97	1.01	1.09	1.23	1.37

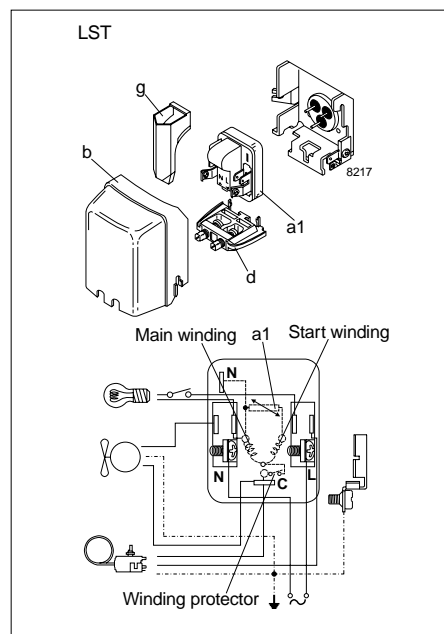
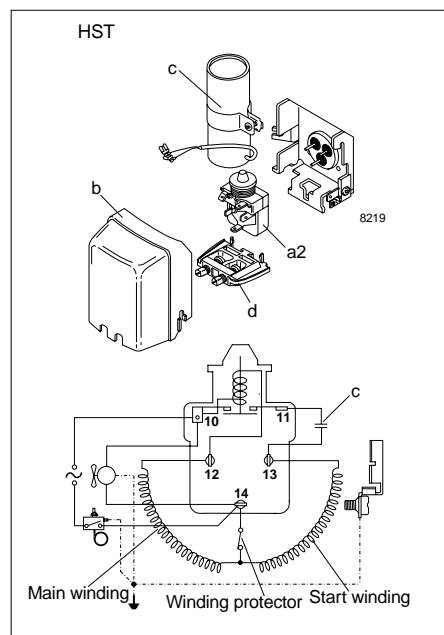
**COP (ASHRAE)**

Comp. °C	-35	-30	-25	-23.3	-20	-15	-10
NL8F	0.87	1.04	1.19	1.25	1.35	1.52	1.69

Test conditions	EN 12900/CECOMAF	ASHRAE
Condensing temperature	55°C	55°C
Ambient and suction gas temp.	32°C	32°C
Liquid temperature	55°C	32°C
Static cooling, 220V 50Hz, PTC consumption incl.		

**Accessories**

Devices	Fig.	NL8F
PTC starting device 6.3 mm spades 4.8 mm spades	a1	103N0011 103N0018
Starting relay	a2	117U6001
Cover	b	103N2010
Starting capacitor 80 µF	c	117U5015
Cord relief	d	103N1010
Protection screen for PTC	g	103N0476
Mounting accessories		
Bolt joint for one compressor		118-1917
Bolt joint in quantities		118-1918
Snap-on in quantities		118-1919



# NL9F

## Standard Compressor

### R134a

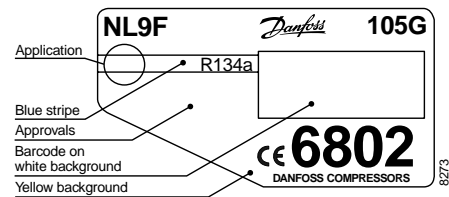
### 220-240V 50Hz

Data Sheet (Replaces CG.43.M1.02)

#### General

Compressor	<b>NL9F</b>
Code number	105G6802
Code number	105G6804*)
Code number compressor with oil cooler	105G6812

\*) Performance data established on 8.2 mm suction line. Restrictions due to 6.2 mm suction line can affect system performance.



#### Application

Application		<b>LBP</b>
Evaporating temperature range	°C	-35 to -10
Voltage range	V/Hz	198 - 254 /50
Motor type		<b>RSIR/CSIR</b>
Max. ambient temperature	°C	38
Comp. cooling at ambient temp.	32°C	S
	38°C	S

- S = Static cooling normally sufficient
- O = Oil cooling
- F<sub>1</sub> = Fan cooling 1.5 m/s  
(compressor compartment temperature equal to ambient temperature)
- F<sub>2</sub> = Fan cooling 3.0 m/s necessary

#### Design

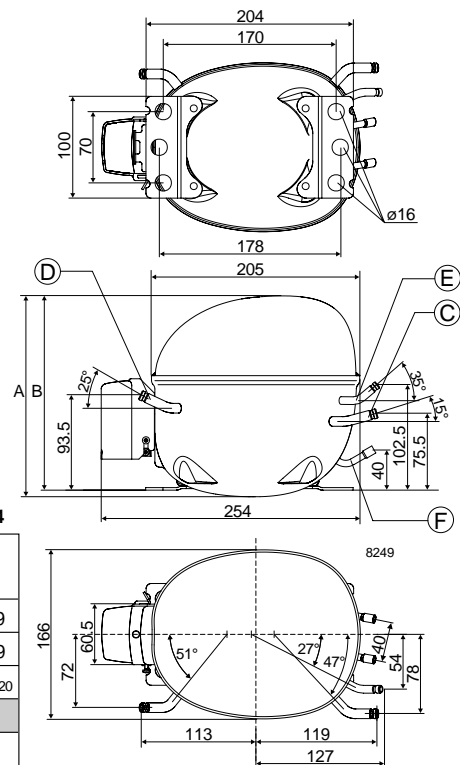
Displacement	cm <sup>3</sup>	8.35
Oil quantity	cm <sup>3</sup>	320
Maximum refrigerant charge	g	400
Free gas vol. in compressor	cm <sup>3</sup>	2280
Weight without electrical equipment	kg	10.0

#### Motor

Motor size	watt	175
LRA (rated after 4 sec. UL984) LST/HST	A	6.6/7.9
Cut-in current LST/HST	A	10.9/7.9
Resistance, main and start winding (25°C)	Ω	10.7/13.0
Approvals		EN 60335-2-34 with Annex AA

#### Dimensions

		105G6812	105G6802	105G6804
Height	mm	A	197	
		B	191	
Suction connector	location/I.D. mm	C	8.2 ±0.09	8.2 ±0.09
Process connector	location/I.D. mm	D	6.2 ±0.09	6.2 ±0.09
Discharge connector	location/I.D. mm	E	6.2 ±0.09	5.0 +0.12 +0.20
Oil cooler	location/I.D. mm	F	6.2 ±0.09	
Compressors on a pallet	pcs.	80		



**Capacity (EN 12900/CECOMAF)**

Comp. °C	-35	-30	-25	-23.3	-20	-15	-10
NL9F	80	112	155	172	208	272	346

**Capacity (ASHRAE)**

Comp. °C	-35	-30	-25	-23.3	-20	-15	-10
NL9F	98	138	191	212	256	335	427

**Power consumption**

Comp. °C	-35	-30	-25	-23.3	-20	-15	-10
NL9F	117	141	167	176	195	225	257

**Current consumption**

Comp. °C	-35	-30	-25	-23.3	-20	-15	-10
NL9F	0.92	0.99	1.08	1.11	1.18	1.29	1.41

**COP (EN 12900/CECOMAF)**

Comp. °C	-35	-30	-25	-23.3	-20	-15	-10
NL9F	0.68	0.80	0.93	0.98	1.07	1.21	1.35

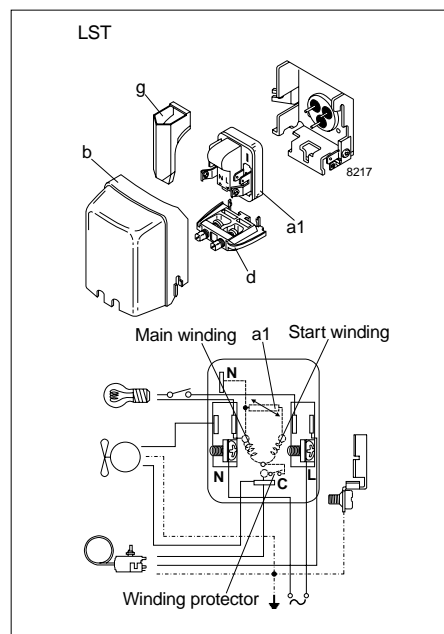
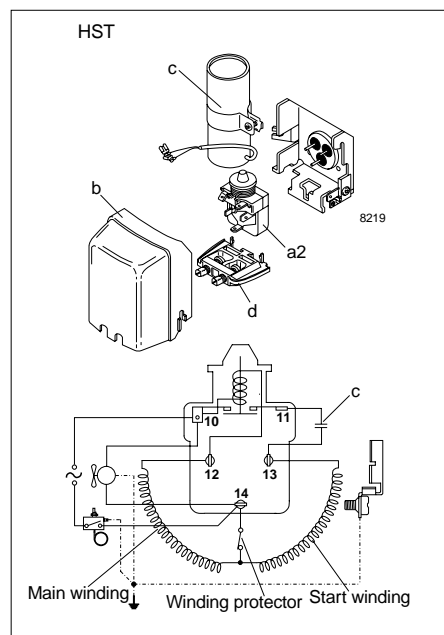
**COP (ASHRAE)**

Comp. °C	-35	-30	-25	-23.3	-20	-15	-10
NL9F	0.84	0.98	1.14	1.20	1.32	1.49	1.66

Test conditions	EN 12900/CECOMAF	ASHRAE
Condensing temperature	55°C	55°C
Ambient and suction gas temp.	32°C	32°C
Liquid temperature	55°C	32°C
Static cooling, 220V 50Hz, PTC consumption incl.		

**Accessories**

Devices	Fig.	NL9F
PTC starting device 6.3 mm spades 4.8 mm spades	a1	103N0011 103N0018
Starting relay	a2	117U6001
Cover	b	103N2010
Starting capacitor 80 µF	c	117U5015
Cord relief	d	103N1010
Protection screen for PTC	g	103N0476
Mounting accessories		
Bolt joint for one compressor		118-1917
Bolt joint in quantities		118-1918
Snap-on in quantities		118-1919



# NL11F

## Standard Compressor

### R134a

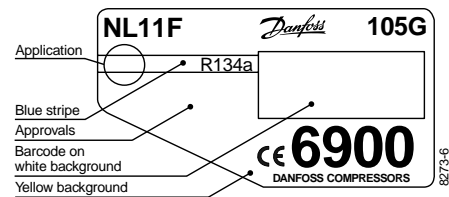
### 220-240V 50Hz

Data Sheet (Replaces CG.43.J1.02)

#### General

Compressor	<b>NL11F</b>
Code number	105G6900
Code number	105G6901*)
Code number compressor with oil cooler	105G6910

\*) Performance data established on 8.2 mm suction line. Restrictions due to 6.2 mm suction line can affect system performance.



#### Application

Application		<b>LBP</b>
Evaporating temperature range	°C	-35 to -10
Voltage range	V/Hz	198 - 254 /50
Motor type		<b>RSIR/CSIR</b>
Max. ambient temperature	°C	38
Comp. cooling at ambient temp.	32°C	O/F <sub>1</sub>
	38°C	O/F <sub>1</sub>

- S = Static cooling normally sufficient
- O = Oil cooling
- F<sub>1</sub> = Fan cooling 1.5 m/s  
(compressor compartment temperature equal to ambient temperature)
- F<sub>2</sub> = Fan cooling 3.0 m/s necessary

#### Design

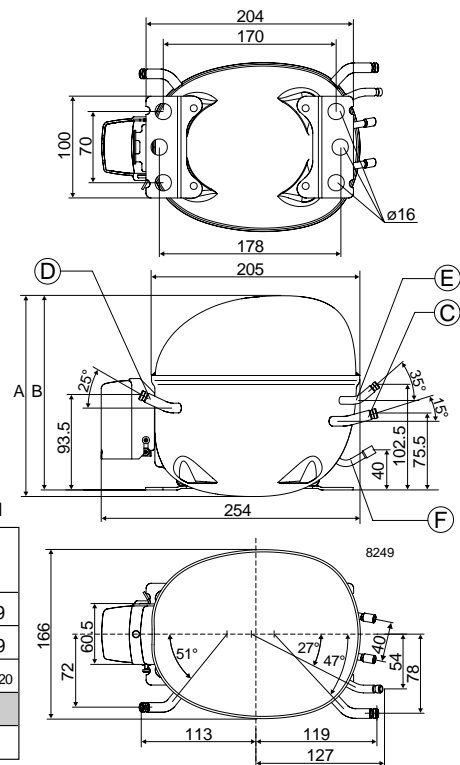
Displacement	cm <sup>3</sup>	11.15
Oil quantity	cm <sup>3</sup>	320
Maximum refrigerant charge	g	400
Free gas vol. in compressor	cm <sup>3</sup>	2360
Weight without electrical equipment	kg	10.7

#### Motor

Motor size	watt	235
LRA (rated after 4 sec. UL984) LST/HST	A	9.2/10.4
Cut-in current LST/HST	A	13.6/10.4
Resistance, main and start winding (25°C)	Ω	8.2/14.7
Approvals		EN 60335-2-34 with Annex AA

#### Dimensions

		105G6910	105G6900	105G6901
Height	mm	A	203	
		B	197	
Suction connector	location/I.D. mm	C	8.2 ±0.09	8.2 ±0.09
Process connector	location/I.D. mm	D	6.2 ±0.09	6.2 ±0.09
Discharge connector	location/I.D. mm	E	6.2 ±0.09	6.2 ±0.09
Oil cooler	location/I.D. mm	F	6.2 ±0.09	
Compressors on a pallet	pcs.	80		



**Capacity (EN 12900/CECOMAF)**
**watt**

Comp. °C	-35	-30	-25	-23.3	-20	-15	-10
NL11F	102	144	200	223	271	356	455

**Capacity (ASHRAE)**
**watt**

Comp. °C	-35	-30	-25	-23.3	-20	-15	-10
NL11F	125	177	246	274	334	438	561

**Power consumption**
**watt**

Comp. °C	-35	-30	-25	-23.3	-20	-15	-10
NL11F	146	178	212	224	248	286	325

**Current consumption**
**A**

Comp. °C	-35	-30	-25	-23.3	-20	-15	-10
NL11F	1.40	1.46	1.54	1.57	1.64	1.75	1.89

**COP (EN 12900/CECOMAF)**
**W/W**

Comp. °C	-35	-30	-25	-23.3	-20	-15	-10
NL11F	0.70	0.81	0.94	0.99	1.09	1.25	1.40

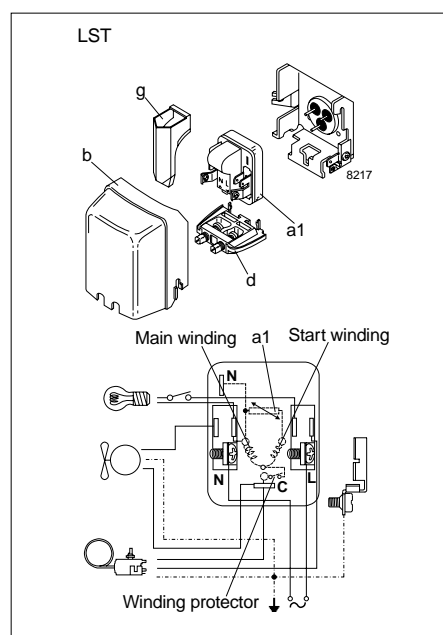
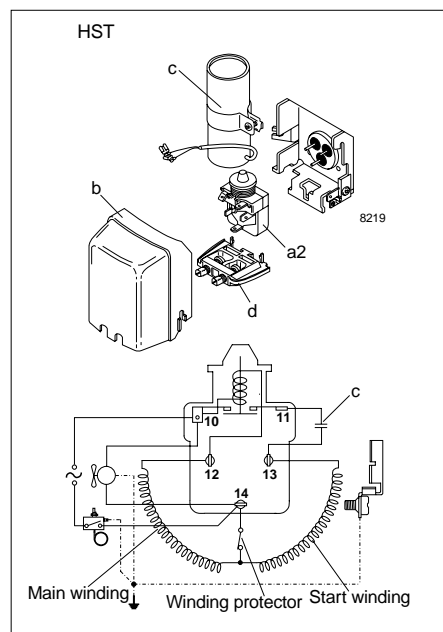
**COP (ASHRAE)**
**W/W**

Comp. °C	-35	-30	-25	-23.3	-20	-15	-10
NL11F	0.86	0.99	1.16	1.22	1.34	1.53	1.73

Test conditions	EN 12900/CECOMAF	ASHRAE
Condensing temperature	55°C	55°C
Ambient and suction gas temp.	32°C	32°C
Liquid temperature	55°C	32°C
Static cooling, 220V 50Hz,		
PTC consumption incl.		

**Accessories**

Devices	Fig.	NL11F
PTC starting device 6.3 mm spades 4.8 mm spades	a1	103N0011 103N0018
Starting relay	a2	117U6002
Cover	b	103N2010
Starting capacitor 80 µF	c	117U5015
Cord relief	d	103N1010
Protection screen for PTC	g	103N0476
Mounting accessories Bolt joint for one compressor Bolt joint in quantities Snap-on in quantities		118-1917 118-1918 118-1919



# NF7FX Standard Compressor R134a 220V 50/60Hz

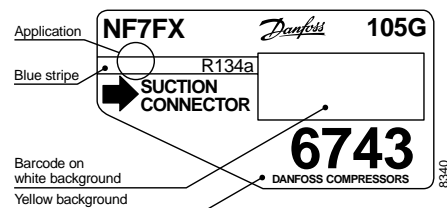
Data Sheet (Replaces CD.43.W3.22)

## General

Compressor		NF7FX
Connector-material	Sealing	Code number
Copper-plated steel	Aluminium caps	
Copper-plated steel	Rubber plugs	105G6743
Copper	Rubber plugs	105G6753

## Application

Application		LBP/MBP
Evaporating temperature range	°F (°C)	-30 to 45 (-34.4 to 7.2)
Voltage range	V/Hz	198 - 242 /50
		198 - 242 /60
Motor type		CSIR
Max. ambient temperature	°F (°C)	100 (38)
Comp. cooling at ambient temp.	90°F (32°C)	50Hz: S 60Hz: F <sub>1</sub>
	100°F (38°C)	50Hz: F <sub>1</sub> 60Hz: F <sub>1</sub>



- S = Static cooling normally sufficient
- O = Oil cooling
- F<sub>1</sub> = Fan cooling 1.5 m/s (compressor compartment temperature equal to ambient temperature)
- F<sub>2</sub> = Fan cooling 3.0 m/s necessary

## Design

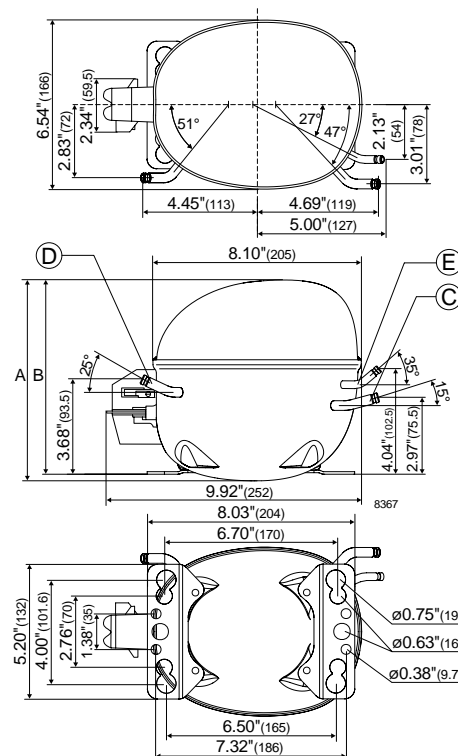
Displacement	cu.in. (cm <sup>3</sup> )	0.44 (7.27)
Oil quantity	fl.oz. (cm <sup>3</sup> )	10.8 (320)
Maximum refrigerant charge	oz. (g)	14.0 (400)
Free gas vol. in compressor housing	fl.oz. (cm <sup>3</sup> )	79.7 (2360)
Weight without electrical equipment	lbs. (kg)	23.0 (10.5)

## Motor

Motor size	watt	340
LRA (rated after 4 sec.UL984) HST	A	15.8
Cut-in current HST	A	15.8
Resistance, main and start winding (77°F)	Ω	5.8/12.6
Approvals		-

## Dimensions

Height	in. (mm)	A	8.00 (203)
		B	7.76 (197)
Suction connector	location/I.D. in. (mm)	C	0.320-0.327 (8.2±0.09)
Process connector	location/I.D. in. (mm)	D	0.252-0.259 (6.5±0.09)
Discharge connector	location/I.D. in. (mm)	E	0.252-0.259 (6.5±0.09)
Compressors on a pallet	pcs.		80



**Capacity at LBP conditions (ASHRAE)**

Comp.\°F	-30	-20	-13	-10	0	10	20	30	40	45
Comp.\°C	-34.4	-28.9	-25	-23.3	-17.8	-12.2	-6.7	-1.1	4.4	7.2
NF7FX	341	496	630	696	943	1255	1630	2086	2604	2899

**Capacity at MBP conditions (ASHRAE)**

Comp.\°F	-30	-20	-13	-10	0	10	20	30	40	45
Comp.\°C	-34.4	-28.9	-25	-23.3	-17.8	-12.2	-6.7	-1.1	4.4	7.2
NF7FX	304	442	562	620	840	1117	1450	1854	2312	2573

**Capacity (EN 12900/CECOMAF)**

Comp.\°F	-30	-20	-13	-10	0	10	20	30	40	45
Comp.\°C	-34.4	-28.9	-25	-23.3	-17.8	-12.2	-6.7	-1.1	4.4	7.2
NF7FX	82	119	151	167	226	301	390	498	622	691

**Power consumption**

Comp.\°F	-30	-20	-13	-10	0	10	20	30	40	45
Comp.\°C	-34.4	-28.9	-25	-23.3	-17.8	-12.2	-6.7	-1.1	4.4	7.2
NF7FX	134	158	176	184	209	235	261	287	314	327

**Current consumption**

Comp.\°F	-30	-20	-13	-10	0	10	20	30	40	45
Comp.\°C	-34.4	-28.9	-25	-23.3	-17.8	-12.2	-6.7	-1.1	4.4	7.2
NF7FX	1.70	1.73	1.76	1.78	1.83	1.89	1.95	2.02	2.10	2.14

**EER at LBP conditions (ASHRAE)**

Comp.\°F	-30	-20	-13	-10	0	10	20	30	40	45
Comp.\°C	-34.4	-28.9	-25	-23.3	-17.8	-12.2	-6.7	-1.1	4.4	7.2
NF7FX	2.55	3.13	3.58	3.79	4.52	5.36	6.27	7.29	8.35	8.90

**EER at MBP conditions (ASHRAE)**

Comp.\°F	-30	-20	-13	-10	0	10	20	30	40	45
Comp.\°C	-34.4	-28.9	-25	-23.3	-17.8	-12.2	-6.7	-1.1	4.4	7.2
NF7FX	2.27	2.80	3.19	3.37	4.02	4.76	5.56	6.46	7.36	7.87

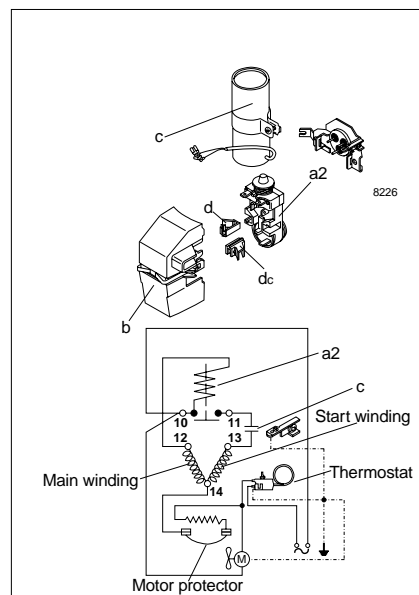
**COP (EN 12900/CECOMAF)**

Comp.\°F	-30	-20	-13	-10	0	10	20	30	40	45
Comp.\°C	-34.4	-28.9	-25	-23.3	-17.8	-12.2	-6.7	-1.1	4.4	7.2
NF7FX	0.61	0.75	0.86	0.91	1.08	1.28	1.49	1.73	1.98	2.11

Test conditions	ASHRAE (LBP)	ASHRAE (MBP)	EN12900/CECOMAF
Condensing temperature	130°F (54.4°C)	130°F (54.4°C)	55°C (131°F)
Ambient and suction gas temp.	90°F (32°C)	95°F (35°C)	32°C (90°F)
Liquid temperature	90°F (32°C)	115°F (46°C)	55°C (131°F)
Fan cooling F <sub>1</sub>	220V 50Hz		

**Accessories**

Devices	Fig.	NF7FX
Starting relay (Klixon incl.)	a2	117U4140
Klixon		MRP59EN-6
Starting capacitor 125 µF	c	117U5018
Cover	b	117U1023
Cord relief	d	117U0349
Cord relief capacitor	dc	117U0349
Mounting accessories	∅ in. (mm)	
Bolt joint in quantities	5/8 (16)	118-1945
Bolt joint in quantities	3/4 (19)	118-1948
Snap-on in quantities	5/8 (16)	118-1944





# NF9FX Standard Compressor R134a 220V 50Hz

Data Sheet (Replaces CD.43.Z1.22)

## General

Compressor		NF9FX
Connector-material	Sealing	Code number
Copper-plated steel	Aluminium caps	
Copper-plated steel	Rubber plugs	105G6842 (UL-recognized) 105G6952* (UL-recognized)
Copper-plated steel	Rubber plugs	105G6843 105G6953*
Copper	Rubber plugs	

\* Oil cooler version

## Application

Application		LBP/MBP
Evaporating temperature range	°F (°C)	-30 to 45 (-34.4 to 7.2)
Voltage range	V/Hz	198 - 242 /50
Motor type		CSIR
Max. ambient temperature	°F (°C)	100 (38)
Comp. cooling at ambient temp.		
	90°F (32°C)	O/F <sub>1</sub>
	100°F (38°C)	O/F <sub>1</sub>

## Design

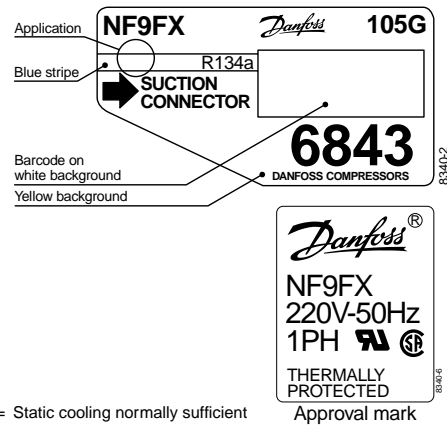
Displacement	cu.in. (cm <sup>3</sup> )	0.51 (8.35)
Oil quantity	fl.oz. (cm <sup>3</sup> )	10.8 (320)
Maximum refrigerant charge	oz. (g)	14.0 (400)
Free gas vol. in compressor housing	fl.oz. (cm <sup>3</sup> )	79.7 (2360)
Weight without electrical equipment	lbs. (kg)	23.0 (10.5)

## Motor

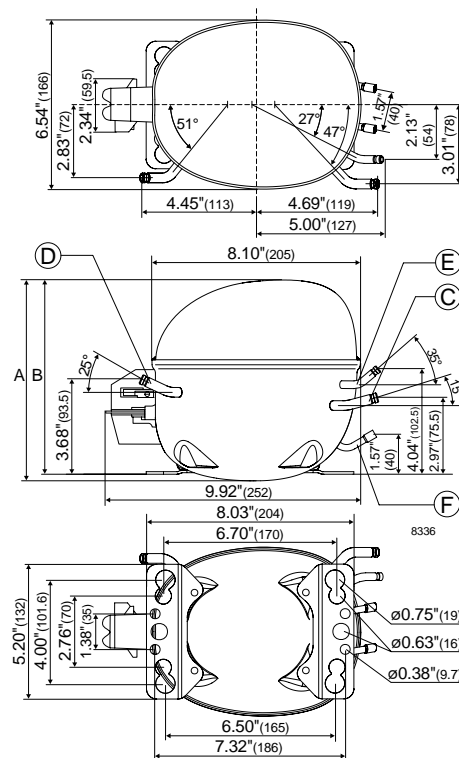
Motor size	watt	340
LRA (rated after 4 sec.UL984) HST	A	15.8
Cut-in current HST	A	15.8
Resistance, main and start winding (77°F) Ω		5.8/12.6
Approvals (105G6842, 105G6852)		UL984/CSA-C22.2
Approvals (105G6843, 105G6853)		-

## Dimensions

Height	in. (mm)	A	8.00 (203)
		B	7.76 (197)
Suction connector	location/I.D. in. (mm)	C	0.320-0.327 (8.2±0.09)
Process connector	location/I.D. in. (mm)	D	0.252-0.259 (6.5±0.09)
Discharge connector	location/I.D. in. (mm)	E	0.252-0.259 (6.5±0.09)
Oil cooler	location/I.D. in. (mm)	F	0.252-0.259 (6.5±0.09)
Compressors on a pallet	pcs.		80



- S = Static cooling normally sufficient
- O = Oil cooling
- F<sub>1</sub> = Fan cooling 1.5 m/s (compressor compartment temperature equal to ambient temperature)
- F<sub>2</sub> = Fan cooling 3.0 m/s necessary



**Capacity at LBP conditions (ASHRAE)**

	Btu/h									
Comp.\°F	-30	-20	-13	-10	0	10	20	30	40	45
Comp.\°C	-34.4	-28.9	-25	-23.3	-17.8	-12.2	-6.7	-1.1	4.4	7.2
NF9FX	389	562	712	786	1061	1409	1825	2331	2912	3237

**Capacity at MBP conditions (ASHRAE)**

	Btu/h									
Comp.\°F	-30	-20	-13	-10	0	10	20	30	40	45
Comp.\°C	-34.4	-28.9	-25	-23.3	-17.8	-12.2	-6.7	-1.1	4.4	7.2
NF9FX	347	501	635	701	945	1255	1624	2072	2586	2873

**Capacity (EN 12900/CECOMAF)**

	watt									
Comp.\°F	-30	-20	-13	-10	0	10	20	30	40	45
Comp.\°C	-34.4	-28.9	-25	-23.3	-17.8	-12.2	-6.7	-1.1	4.4	7.2
NF9FX	94	135	171	189	254	337	436	557	694	771

**Power consumption**

	watt									
Comp.\°F	-30	-20	-13	-10	0	10	20	30	40	45
Comp.\°C	-34.4	-28.9	-25	-23.3	-17.8	-12.2	-6.7	-1.1	4.4	7.2
NF9FX	151	180	200	209	238	269	299	330	361	377

**Current consumption**

	A									
Comp.\°F	-30	-20	-13	-10	0	10	20	30	40	45
Comp.\°C	-34.4	-28.9	-25	-23.3	-17.8	-12.2	-6.7	-1.1	4.4	7.2
NF9FX	1.72	1.77	1.81	1.83	1.89	1.97	2.05	2.14	2.24	2.29

**EER at LBP conditions (ASHRAE)**

	Btu/Wh									
Comp.\°F	-30	-20	-13	-10	0	10	20	30	40	45
Comp.\°C	-34.4	-28.9	-25	-23.3	-17.8	-12.2	-6.7	-1.1	4.4	7.2
NF9FX	2.57	3.13	3.57	3.76	4.46	5.25	6.12	7.08	8.05	8.62

**EER at MBP conditions (ASHRAE)**

	Btu/Wh									
Comp.\°F	-30	-20	-13	-10	0	10	20	30	40	45
Comp.\°C	-34.4	-28.9	-25	-23.3	-17.8	-12.2	-6.7	-1.1	4.4	7.2
NF9FX	2.30	2.78	3.17	3.35	3.97	4.66	5.43	6.28	7.16	7.62

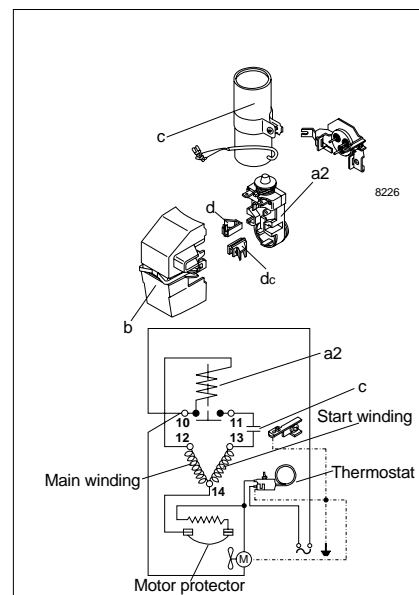
**COP (EN 12900/CECOMAF)**

	W/W									
Comp.\°F	-30	-20	-13	-10	0	10	20	30	40	45
Comp.\°C	-34.4	-28.9	-25	-23.3	-17.8	-12.2	-6.7	-1.1	4.4	7.2
NF9FX	0.62	0.75	0.86	0.90	1.07	1.25	1.46	1.68	1.92	2.04

Test conditions  
 Condensing temperature ASHRAE (LBP) 130°F (54.4°C) ASHRAE (MBP) 130°F (54.4°C) EN12900/CECOMAF 55°C (131°F)  
 Ambient and suction gas temp. 90°F (32°C) 95°F (35°C) 32°C (90°F)  
 Liquid temperature 90°F (32°C) 115°F (46°C) 55°C (131°F)  
 Fan cooling F<sub>1</sub>, 220V 50Hz

**Accessories**

Devices	Fig.	NF9FX
Starting relay (Klixon incl.)	a2	117U4140
Klixon		MRP59EN-6
Starting capacitor 125 µF	c	117U5018
Cover (105G6842, 105G6852)	b	117U1021
Cover (105G6843, 105G6853)	b	117U1023
Cord relief	d	117U0349
Cord relief capacitor	dc	117U0349
Mounting accessories	Ø in. (mm)	
Bolt joint in quantities	5/8 (16)	118-1945
Bolt joint in quantities	3/4 (19)	118-1948
Snap-on in quantities	5/8 (16)	118-1944



# NF10FX

## Standard Compressor

### R134a

### 220V 50Hz

Data Sheet (Replaces CG.43.A1.22)

#### General

Compressor		NF10FX
Connector-material	Sealing	Code number
Copper-plated steel	Aluminium caps	
Copper-plated steel	Rubber plugs	105G6847 (UL-recognized)
Copper-plated steel	Rubber plugs	105G6844
Copper	Rubber plugs	

#### Application

Application		LBP/MBP
Evaporating temperature range	°F (°C)	-30 to 45 (-34.4 to 7.2)
Voltage range	V/Hz	198 - 242 /50
Motor type		CSIR
Max. ambient temperature	°F (°C)	100 (38)
Comp. cooling at ambient temp.	90°F (32°C)	F <sub>1</sub>
	100°F (38°C)	F <sub>2</sub>

#### Design

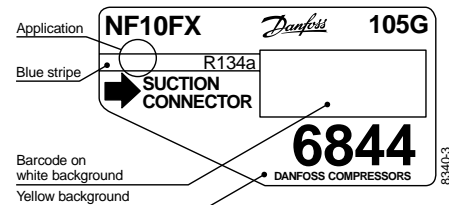
Displacement	cu.in. (cm <sup>3</sup> )	0.62 (10.09)
Oil quantity	fl.oz. (cm <sup>3</sup> )	10.8 (320)
Maximum refrigerant charge	oz. (g)	14.0 (400)
Free gas vol. in compressor housing	fl.oz. (cm <sup>3</sup> )	79.7 (2360)
Weight without electrical equipment	lbs. (kg)	23.0 (10.5)

#### Motor

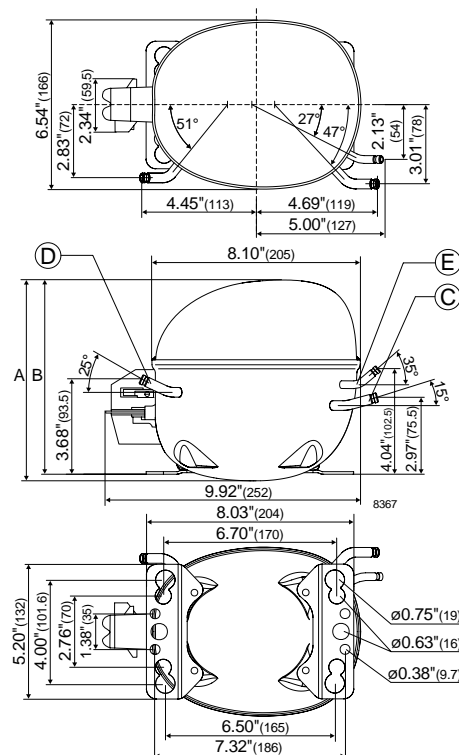
Motor size	watt	450
LRA (rated after 4 sec.UL984) HST	A	20.0
Cut-in current HST	A	20.0
Resistance, main and start winding (77°F) Ω		4.5/12.8
Approvals (105G6847)		UL984/CSA-C22.2
Approvals (105G6844)		-

#### Dimensions

Height	in. (mm)	A	8.00 (203)
		B	7.76 (197)
Suction connector	location/I.D. in. (mm)	C	0.320-0.327 (8.2±0.09)
Process connector	location/I.D. in. (mm)	D	0.252-0.259 (6.5±0.09)
Discharge connector	location/I.D. in. (mm)	E	0.252-0.259 (6.5±0.09)
Compressors on a pallet	pcs.		80



- S = Static cooling normally sufficient
- O = Oil cooling
- F<sub>1</sub> = Fan cooling 1.5 m/s (compressor compartment temperature equal to ambient temperature)
- F<sub>2</sub> = Fan cooling 3.0 m/s necessary



**Capacity at LBP conditions (ASHRAE)**

Comp.\°F	-30	-20	-13	-10	0	10	20	30	40	45
Comp.\°C	-34.4	-28.9	-25	-23.3	-17.8	-12.2	-6.7	-1.1	4.4	7.2
NF10FX	449	648	821	905	1222	1623	2104	2693	3374	3759

**Capacity at MBP conditions (ASHRAE)**

Comp.\°F	-30	-20	-13	-10	0	10	20	30	40	45
Comp.\°C	-34.4	-28.9	-25	-23.3	-17.8	-12.2	-6.7	-1.1	4.4	7.2
NF10FX	400	578	732	807	1089	1445	1872	2394	2996	3336

**Capacity (EN 12900/CECOMAF)**

Comp.\°F	-30	-20	-13	-10	0	10	20	30	40	45
Comp.\°C	-34.4	-28.9	-25	-23.3	-17.8	-12.2	-6.7	-1.1	4.4	7.2
NF10FX	108	156	197	217	293	389	503	643	804	895

**Power consumption**

Comp.\°F	-30	-20	-13	-10	0	10	20	30	40	45
Comp.\°C	-34.4	-28.9	-25	-23.3	-17.8	-12.2	-6.7	-1.1	4.4	7.2
NF10FX	214	248	272	283	318	354	390	426	462	481

**Current consumption**

Comp.\°F	-30	-20	-13	-10	0	10	20	30	40	45
Comp.\°C	-34.4	-28.9	-25	-23.3	-17.8	-12.2	-6.7	-1.1	4.4	7.2
NF10FX	2.65	2.70	2.73	2.75	2.81	2.88	2.96	3.05	3.15	3.21

**EER at LBP conditions (ASHRAE)**

Comp.\°F	-30	-20	-13	-10	0	10	20	30	40	45
Comp.\°C	-34.4	-28.9	-25	-23.3	-17.8	-12.2	-6.7	-1.1	4.4	7.2
NF10FX	2.09	2.61	3.02	3.20	3.85	4.60	5.42	6.34	7.33	7.86

**EER at MBP conditions (ASHRAE)**

Comp.\°F	-30	-20	-13	-10	0	10	20	30	40	45
Comp.\°C	-34.4	-28.9	-25	-23.3	-17.8	-12.2	-6.7	-1.1	4.4	7.2
NF10FX	1.87	2.33	2.69	2.85	3.42	4.08	4.80	5.62	6.49	6.94

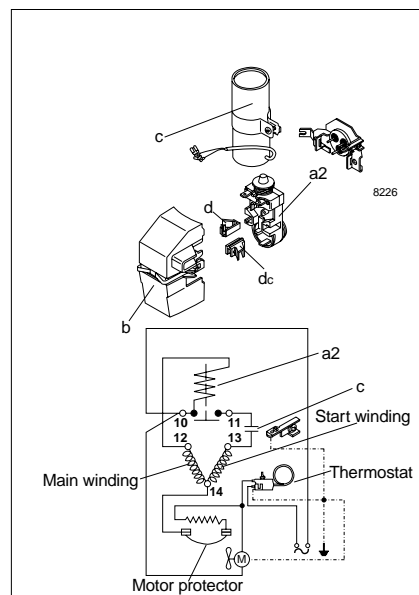
**COP (EN 12900/CECOMAF)**

Comp.\°F	-30	-20	-13	-10	0	10	20	30	40	45
Comp.\°C	-34.4	-28.9	-25	-23.3	-17.8	-12.2	-6.7	-1.1	4.4	7.2
NF10FX	0.51	0.63	0.72	0.77	0.92	1.10	1.29	1.51	1.74	1.86

Test conditions	ASHRAE (LBP)	ASHRAE (MBP)	EN12900/CECOMAF
Condensing temperature	130°F (54.4°C)	130°F (54.4°C)	55°C (131°F)
Ambient and suction gas temp.	90°F (32°C)	95°F (35°C)	32°C (90°F)
Liquid temperature	90°F (32°C)	115°F (46°C)	55°C (131°F)
Fan cooling F <sub>1</sub>	220V 50Hz		

**Accessories**

Devices	Fig.	NF10FX
Starting relay (Klixon incl.)	a2	117U4139
Klixon		MRP59EN-6
Starting capacitor 125 µF	c	117U5018
Cover (105G6847)	b	117U1021
Cover (105G6844)	b	117U1023
Cord relief	d	117U0349
Cord relief capacitor	dc	117U0349
Mounting accessories	Ø in. (mm)	
Bolt joint in quantities	5/8 (16)	118-1945
Bolt joint in quantities	3/4 (19)	118-1948
Snap-on in quantities	5/8 (16)	118-1944



# NF11FX

## Standard Compressor

### R134a

### 220V 50Hz

Data Sheet (Replaces CG.43.C1.22)

#### General

Compressor		NF11FX
Connector-material	Sealing	Code number
Copper-plated steel	Aluminium caps	
Copper-plated steel	Rubber plugs	105G6944
Copper	Rubber plugs	

#### Application

Application		LBP/MBP
Evaporating temperature range	°F (°C)	-30 to 45 (-34.4 to 7.2)
Voltage range	V/Hz	198 - 242 /50
Motor type		CSIR
Max. ambient temperature	°F (°C)	100 (38)
Comp. cooling at ambient temp.	90°F (32°C)	F <sub>2</sub>
	100°F (38°C)	F <sub>2</sub>

#### Design

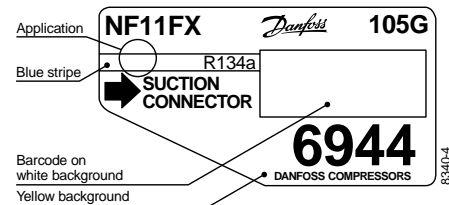
Displacement	cu.in. (cm <sup>3</sup> )	0.68 (11.15)
Oil quantity	fl.oz. (cm <sup>3</sup> )	10.8 (320)
Maximum refrigerant charge	oz. (g)	14.0 (400)
Free gas vol. in compressor housing	fl.oz. (cm <sup>3</sup> )	79.7 (2360)
Weight without electrical equipment	lbs. (kg)	23.0 (10.5)

#### Motor

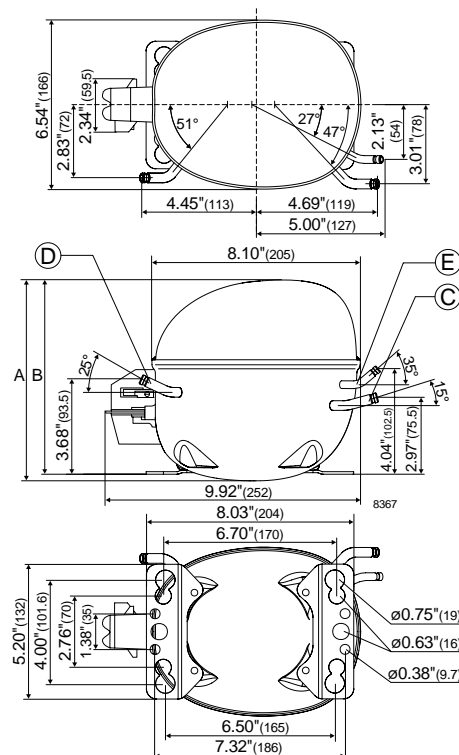
Motor size	watt	450
LRA (rated after 4 sec.UL984) HST	A	20.0
Cut-in current HST	A	20.0
Resistance, main and start winding (77°F) Ω		4.5/12.8
Approvals		-

#### Dimensions

Height	in. (mm)	A	8.00 (203)
		B	7.76 (197)
Suction connector	location/I.D. in. (mm)	C	0.320-0.327 (8.2±0.09)
Process connector	location/I.D. in. (mm)	D	0.252-0.259 (6.5±0.09)
Discharge connector	location/I.D. in. (mm)	E	0.252-0.259 (6.5±0.09)
Compressors on a pallet	pcs.		80



- S = Static cooling normally sufficient
- O = Oil cooling
- F<sub>1</sub> = Fan cooling 1.5 m/s (compressor compartment temperature equal to ambient temperature)
- F<sub>2</sub> = Fan cooling 3.0 m/s necessary



**Capacity at LBP conditions (ASHRAE)**

Comp.\°F	-30	-20	-13	-10	0	10	20	30	40	45
Comp.\°C	-34.4	-28.9	-25	-23.3	-17.8	-12.2	-6.7	-1.1	4.4	7.2
NF11FX	496	713	901	993	1336	1768	2280	2907	3637	4051

**Btu/h**
**Capacity at MBP conditions (ASHRAE)**

Comp.\°F	-30	-20	-13	-10	0	10	20	30	40	45
Comp.\°C	-34.4	-28.9	-25	-23.3	-17.8	-12.2	-6.7	-1.1	4.4	7.2
NF11FX	442	636	803	885	1190	1575	2029	2584	3230	3595

**Btu/h**
**Capacity (EN 12900/CECOMAF)**

Comp.\°F	-30	-20	-13	-10	0	10	20	30	40	45
Comp.\°C	-34.4	-28.9	-25	-23.3	-17.8	-12.2	-6.7	-1.1	4.4	7.2
NF11FX	119	171	216	238	320	423	545	694	867	965

**watt**
**Power consumption**

Comp.\°F	-30	-20	-13	-10	0	10	20	30	40	45
Comp.\°C	-34.4	-28.9	-25	-23.3	-17.8	-12.2	-6.7	-1.1	4.4	7.2
NF11FX	236	266	291	302	341	383	426	470	512	533

**watt**
**Current consumption**

Comp.\°F	-30	-20	-13	-10	0	10	20	30	40	45
Comp.\°C	-34.4	-28.9	-25	-23.3	-17.8	-12.2	-6.7	-1.1	4.4	7.2
NF11FX	2.68	2.72	2.76	2.78	2.85	2.94	3.05	3.17	3.29	3.36

**A**
**EER at LBP conditions (ASHRAE)**

Comp.\°F	-30	-20	-13	-10	0	10	20	30	40	45
Comp.\°C	-34.4	-28.9	-25	-23.3	-17.8	-12.2	-6.7	-1.1	4.4	7.2
NF11FX	2.10	2.68	3.10	3.29	3.92	4.62	5.35	6.18	7.10	7.60

**Btu/Wh**
**EER at MBP conditions (ASHRAE)**

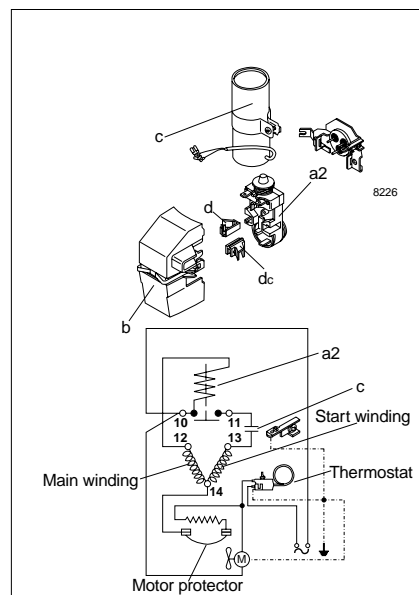
Comp.\°F	-30	-20	-13	-10	0	10	20	30	40	45
Comp.\°C	-34.4	-28.9	-25	-23.3	-17.8	-12.2	-6.7	-1.1	4.4	7.2
NF11FX	1.87	2.39	2.76	2.93	3.49	4.11	4.76	5.50	6.31	6.75

**Btu/Wh**
**COP (EN 12900/CECOMAF)**

Comp.\°F	-30	-20	-13	-10	0	10	20	30	40	45
Comp.\°C	-34.4	-28.9	-25	-23.3	-17.8	-12.2	-6.7	-1.1	4.4	7.2
NF11FX	0.50	0.64	0.74	0.79	0.94	1.10	1.28	1.48	1.69	1.81

**W/W**

Test conditions	ASHRAE (LBP)	ASHRAE (MBP)	EN12900/CECOMAF
Condensing temperature	130°F (54.4°C)	130°F (54.4°C)	55°C (131°F)
Ambient and suction gas temp.	90°F (32°C)	95°F (35°C)	32°C (90°F)
Liquid temperature	90°F (32°C)	115°F (46°C)	55°C (131°F)
Fan cooling F <sub>2</sub>	220V 50Hz		


**Accessories**

Devices	Fig.	NF11FX
Starting relay (Klixon incl.)	a2	117U4139
Klixon		MRP59EN-6
Starting capacitor 125 µF	c	117U5018
Cover	b	117U1023
Cord relief	d	117U0349
Cord relief capacitor	dc	117U0349
Mounting accessories	∅ in. (mm)	
Bolt joint in quantities	5/8 (16)	118-1945
Bolt joint in quantities	3/4 (19)	118-1948
Snap-on in quantities	5/8 (16)	118-1944

# FR7.5F

## Standard Compressor

### R134a

### 220-240V 50Hz

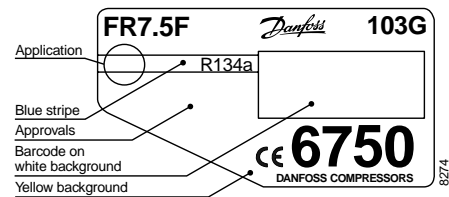
Data Sheet (Replaces CD.43.A7.02)

#### General

Compressor	FR7.5F
Code number	103G6750

#### Application

Application	LBP
Evaporating temperature range	°C -35 to -10
Voltage range	V/Hz 198 - 254 /50
Motor type	RSIR/CSIR
Max. ambient temperature	°C 38
Comp. cooling at ambient temp.	32°C S
	38°C S



- S = Static cooling normally sufficient
- O = Oil cooling
- F<sub>1</sub> = Fan cooling 1.5 m/s  
(compressor compartment temperature equal to ambient temperature)
- F<sub>2</sub> = Fan cooling 3.0 m/s necessary

#### Design

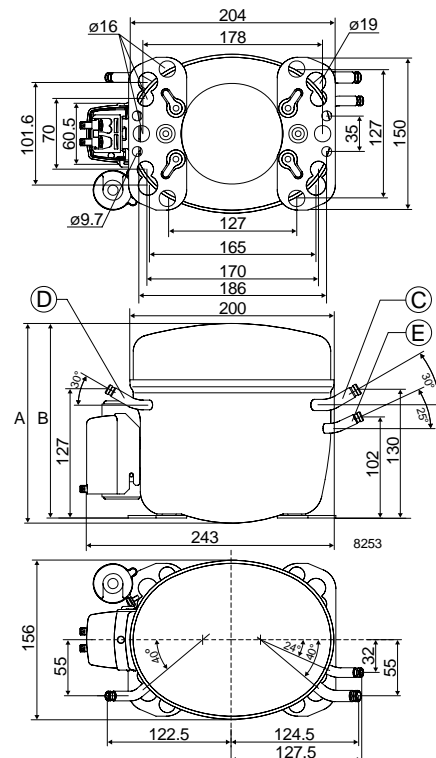
Displacement	cm <sup>3</sup>	6.93
Oil quantity	cm <sup>3</sup>	350
Maximum refrigerant charge	g	900
Free gas vol. in compressor	cm <sup>3</sup>	1450
Weight without electrical equipment	kg	10.6

#### Motor

Motor size	watt	150
LRA (rated after 4 sec. UL984) LST/HST	A	6.1/7.4
Cut-in current LST/HST	A	10.9/7.4
Resistance, main and start winding (25°C)	Ω	12.6/12.4
Approvals		EN 60335-2-34 with Annex AA

#### Dimensions

Height	mm	A	196
		B	191
Suction connector	location/I.D. mm	C	8.2 ±0.09
Process connector	location/I.D. mm	D	6.2 ±0.09
Discharge connector	location/I.D. mm	E	6.2 ±0.09
Compressors on a pallet	pcs.		80



**Capacity (EN 12900/CECOMAF)**
**watt**

Comp.°C	-35	-30	-25	-23.3	-20	-15	-10
FR7.5F	60	79	108	120	147	197	257

**Capacity (ASHRAE)**
**watt**

Comp.°C	-35	-30	-25	-23.3	-20	-15	-10
FR7.5F	74	97	133	148	182	243	317

**Power consumption**
**watt**

Comp.°C	-35	-30	-25	-23.3	-20	-15	-10
FR7.5F	89	106	126	133	148	173	200

**Current consumption**
**A**

Comp.°C	-35	-30	-25	-23.3	-20	-15	-10
FR7.5F	0.80	0.85	0.91	0.94	0.99	1.09	1.20

**COP (EN 12900/CECOMAF)**
**W/W**

Comp.°C	-35	-30	-25	-23.3	-20	-15	-10
FR7.5F	0.68	0.74	0.86	0.90	0.99	1.14	1.29

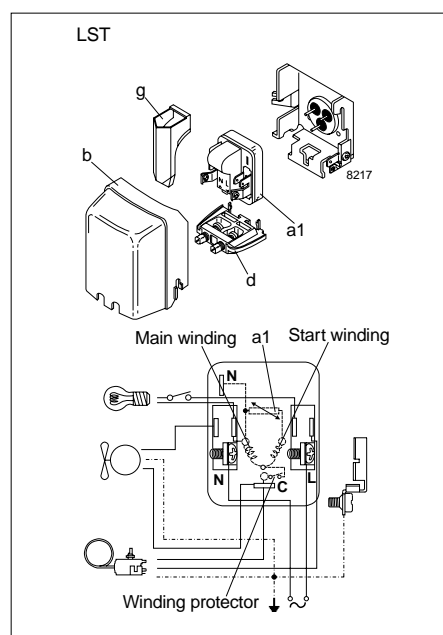
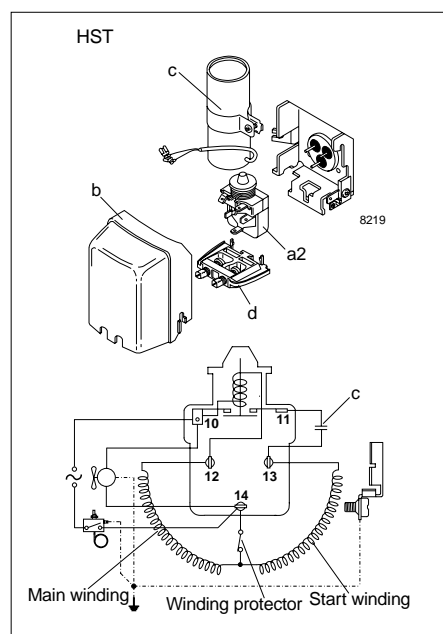
**COP (ASHRAE)**
**W/W**

Comp.°C	-35	-30	-25	-23.3	-20	-15	-10
FR7.5F	0.83	0.91	1.05	1.11	1.22	1.40	1.59

Test conditions	EN 12900/CECOMAF	ASHRAE
Condensing temperature	55°C	55°C
Ambient and suction gas temp.	32°C	32°C
Liquid temperature	55°C	32°C
Static cooling, 220V 50Hz, PTC consumption incl.		

**Accessories**

Devices	Fig.	FR7.5F
PTC starting device 6.3 mm spades 4.8 mm spades	a1	103N0011 103N0018
Starting relay	a2	117U6000
Cover	b	103N2010
Starting capacitor 80 µF	c	117U5015
Cord relief	d	103N1010
Protection screen for PTC	g	103N0476
Mounting accessories Bolt joint for one compressor Bolt joint in quantities Snap-on in quantities		118-1917 118-1918 118-1919







**Capacity (EN 12900/CECOMAF)**
**watt**

Comp. °C	-35	-30	-25	-23.3	-20	-15	-10
FR8.5F	65	89	124	138	169	224	289

**Capacity (ASHRAE)**
**watt**

Comp. °C	-35	-30	-25	-23.3	-20	-15	-10
FR8.5F	80	110	153	170	208	276	357

**Power consumption**
**watt**

Comp. °C	-35	-30	-25	-23.3	-20	-15	-10
FR8.5F	96	120	145	154	172	201	231

**Current consumption**
**A**

Comp. °C	-35	-30	-25	-23.3	-20	-15	-10
FR8.5F	0.89	0.96	1.04	1.07	1.14	1.25	1.37

**COP (EN 12900/CECOMAF)**
**W/W**

Comp. °C	-35	-30	-25	-23.3	-20	-15	-10
FR8.5F	0.68	0.75	0.85	0.90	0.98	1.11	1.25

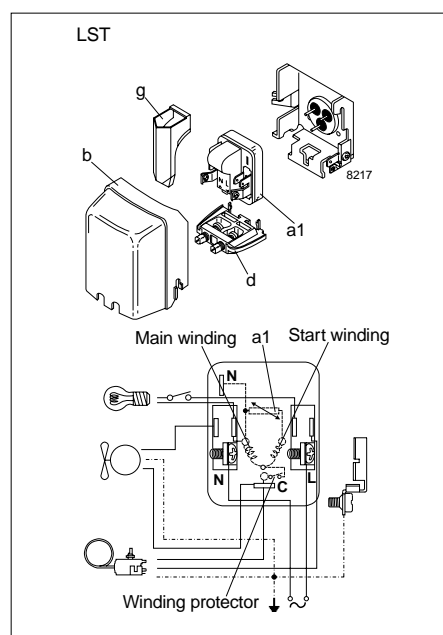
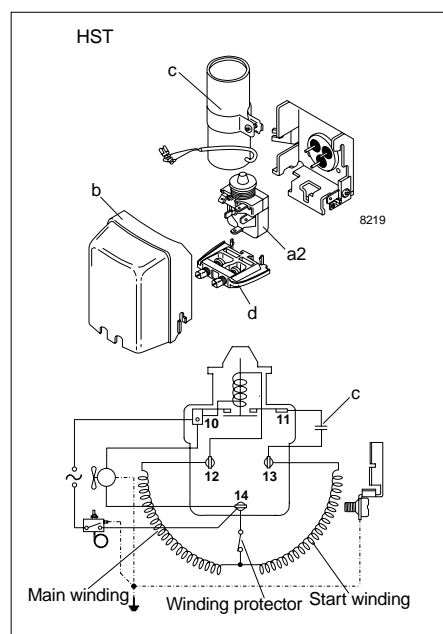
**COP (ASHRAE)**
**W/W**

Comp. °C	-35	-30	-25	-23.3	-20	-15	-10
FR8.5F	0.83	0.92	1.05	1.10	1.21	1.37	1.54

Test conditions	EN 12900/CECOMAF	ASHRAE
Condensing temperature	55°C	55°C
Ambient and suction gas temp.	32°C	32°C
Liquid temperature	55°C	32°C
Static cooling, 220V 50Hz,		
PTC consumption incl.		

**Accessories**

Devices	Fig.	FR8.5F
PTC starting device 6.3 mm spades 4.8 mm spades	a1	103N0011 103N0018
Starting relay	a2	117U6001
Cover	b	103N2010
Starting capacitor 80 µF	c	117U5015
Cord relief	d	103N1010
Protection screen for PTC	g	103N0476
Mounting accessories		
Bolt joint for one compressor		118-1917
Bolt joint in quantities		118-1918
Snap-on in quantities		118-1919



# FR10F

## Standard Compressor

### R134a

### 220-240V 50Hz

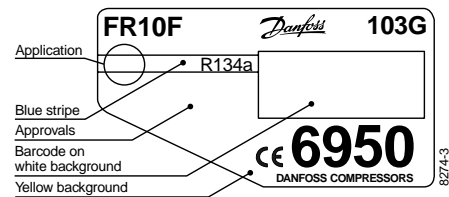
Data Sheet (Replaces CG.43.D1.02)

#### General

Compressor	<b>FR10F</b>
Code number	103G6950

#### Application

Application		LBP
Evaporating temperature range	°C	-35 to -10
Voltage range	V/Hz	198 - 254 /50
Motor type		RSIR/CSIR
Max. ambient temperature	°C	38
Comp. cooling at ambient temp.	32°C	S
	38°C	S



- S = Static cooling normally sufficient
- O = Oil cooling
- F<sub>1</sub> = Fan cooling 1.5 m/s  
(compressor compartment temperature equal to ambient temperature)
- F<sub>2</sub> = Fan cooling 3.0 m/s necessary

#### Design

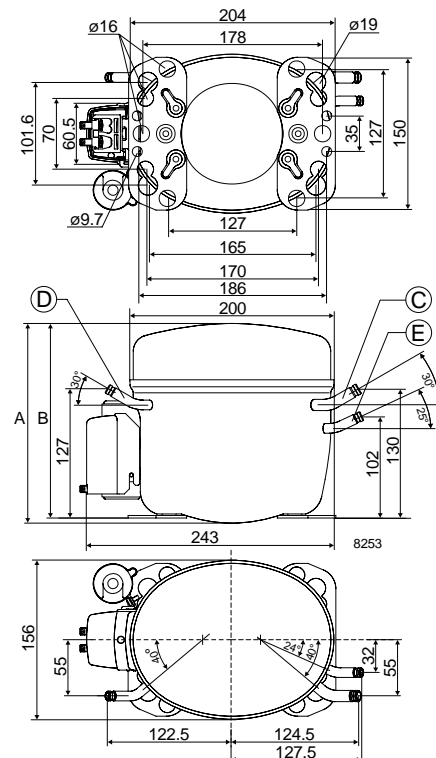
Displacement	cm <sup>3</sup>	9.05
Oil quantity	cm <sup>3</sup>	350
Maximum refrigerant charge	g	900
Free gas vol. in compressor	cm <sup>3</sup>	1450
Weight without electrical equipment	kg	10.6

#### Motor

Motor size	watt	215
LRA (rated after 4 sec. UL984) LST/HST	A	8.1/8.2
Cut-in current LST/HST	A	12.8/8.2
Resistance, main and start winding (25°C)	Ω	8.9/12.0
Approvals		EN 60335-2-34 with Annex AA

#### Dimensions

Height	mm	A	196
		B	191
Suction connector	location/I.D. mm	C	8.2 ±0.09
Process connector	location/I.D. mm	D	6.2 ±0.09
Discharge connector	location/I.D. mm	E	6.2 ±0.09
Compressors on a pallet	pcs.		80



**Capacity (EN 12900/CECOMAF)**
**watt**

Comp. °C	-35	-30	-25	-23.3	-20	-15	-10
FR10F	82	103	138	153	186	248	324

**Capacity (ASHRAE)**
**watt**

Comp. °C	-35	-30	-25	-23.3	-20	-15	-10
FR10F	101	127	170	188	229	306	399

**Power consumption**
**watt**

Comp. °C	-35	-30	-25	-23.3	-20	-15	-10
FR10F	116	137	162	171	191	223	259

**Current consumption**
**A**

Comp. °C	-35	-30	-25	-23.3	-20	-15	-10
FR10F	1.04	1.11	1.18	1.21	1.26	1.36	1.48

**COP (EN 12900/CECOMAF)**
**W/W**

Comp. °C	-35	-30	-25	-23.3	-20	-15	-10
FR10F	0.71	0.76	0.85	0.89	0.98	1.11	1.25

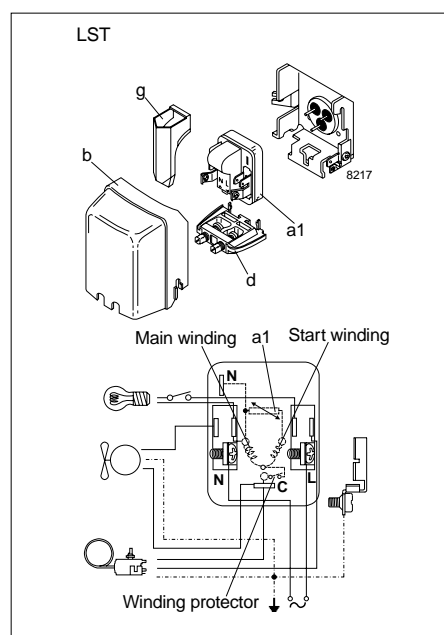
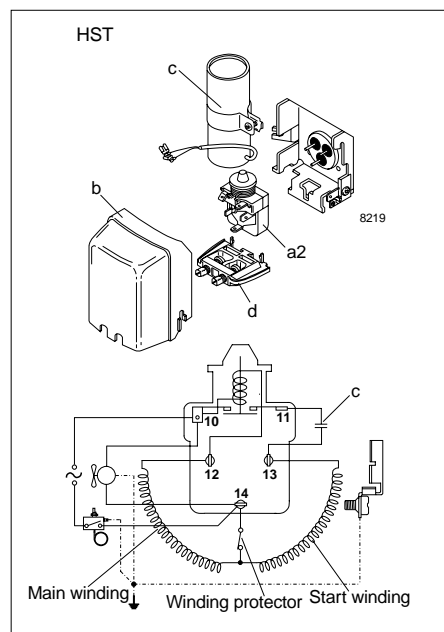
**COP (ASHRAE)**
**W/W**

Comp. °C	-35	-30	-25	-23.3	-20	-15	-10
FR10F	0.87	0.93	1.05	1.10	1.20	1.37	1.54

Test conditions	EN 12900/CECOMAF	ASHRAE
Condensing temperature	55°C	55°C
Ambient and suction gas temp.	32°C	32°C
Liquid temperature	55°C	32°C
Static cooling, 220V 50Hz,		
PTC consumption incl.		

**Accessories**

Devices	Fig.	FR10F
PTC starting device 6.3 mm spades 4.8 mm spades	a1	103N0011 103N0018
Starting relay	a2	117U6002
Cover	b	103N2010
Starting capacitor 80 µF	c	117U5015
Cord relief	d	103N1010
Protection screen for PTC	g	103N0476
Mounting accessories		
Bolt joint for one compressor		118-1917
Bolt joint in quantities		118-1918
Snap-on in quantities		118-1919



# SC15F

## Standard Compressor

### R134a

### 220-240V 50Hz

Data Sheet (Replaces CD.44.H3.02)

#### General

Compressor	<b>SC15F</b>
Code number	104G8500
Code number compressor with oil cooler	104G8510

#### Application

Application		LBP*)
Evaporating temperature range	°C	-35 to -10
Voltage range	V/Hz	198 - 254 /50
Motor type		RSIR/CSIR
Max. ambient temperature	°C	38
Comp. cooling at ambient temp.	32°C	O/F <sub>1</sub>
	38°C	O/F <sub>1</sub>

\*) Can be used as a HBP compressor with 240V 50Hz mains (216-254V).

#### Design

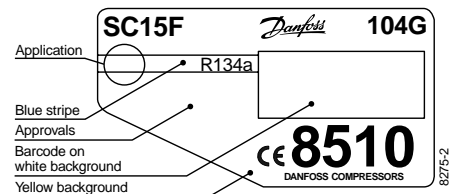
Displacement	cm <sup>3</sup>	15.28
Oil quantity	cm <sup>3</sup>	600 (550 on comp. with oil cooler)
Maximum refrigerant charge	g	1300
Free gas vol. in compressor	cm <sup>3</sup>	1410
Weight without electrical equipment	kg	12.6

#### Motor

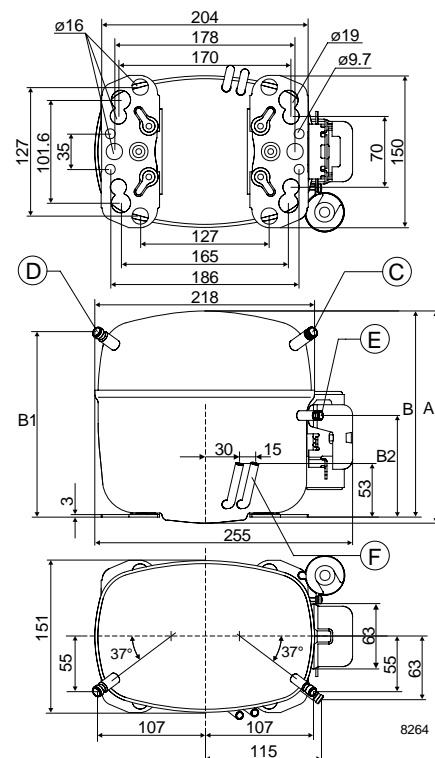
Motor size	watt	315
LRA (rated after 4 sec. UL984) LST/HST	A	12.6/12.6
Cut-in current LST/HST	A	17.2/12.6
Resistance, main and start winding (25°C)	Ω	6.7/11.8
Approvals		EN 60335-2-34, CCIB

#### Dimensions

Height	mm	A	209
		B	203
		B1	183
		B2	100
Suction connector	location/I.D. mm	C	8.2 ±0.09
Process connector	location/I.D. mm	D	6.2 ±0.09
Discharge connector	location/I.D. mm	E	6.2 ±0.09
Oil cooler	location/I.D. mm	F	6.2 ±0.09
Compressors on a pallet	pcs.		80



- S = Static cooling normally sufficient
- O = Oil cooling
- F<sub>1</sub> = Fan cooling 1.5 m/s  
(compressor compartment temperature equal to ambient temperature)
- F<sub>2</sub> = Fan cooling 3.0 m/s necessary



**Capacity (EN 12900/CECOMAF) watt**

Comp. °C	-35	-30	-25	-23.3	-20	-15	-10
SC15F	100	155	230	260	325	439	573

**Capacity (ASHRAE) watt**

Comp. °C	-35	-30	-25	-23.3	-20	-15	-10
SC15F	123	191	283	320	400	541	707

**Power consumption watt**

Comp. °C	-35	-30	-25	-23.3	-20	-15	-10
SC15F	186	229	275	291	324	377	432

**Current consumption A**

Comp. °C	-35	-30	-25	-23.3	-20	-15	-10
SC15F	1.67	1.78	1.93	1.99	2.11	2.28	2.44

**COP (EN 12900/CECOMAF) W/W**

Comp. °C	-35	-30	-25	-23.3	-20	-15	-10
SC15F	0.54	0.68	0.84	0.89	1.00	1.17	1.33

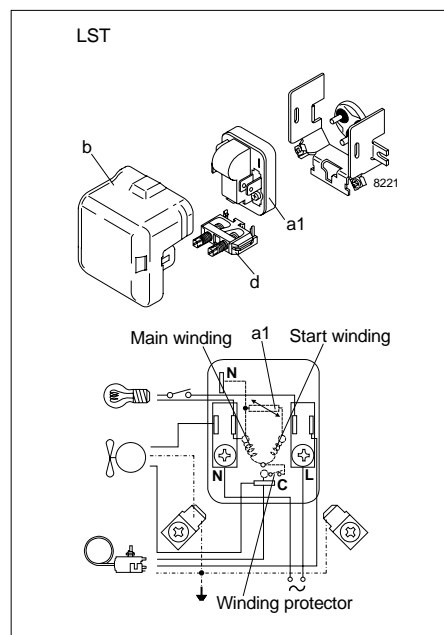
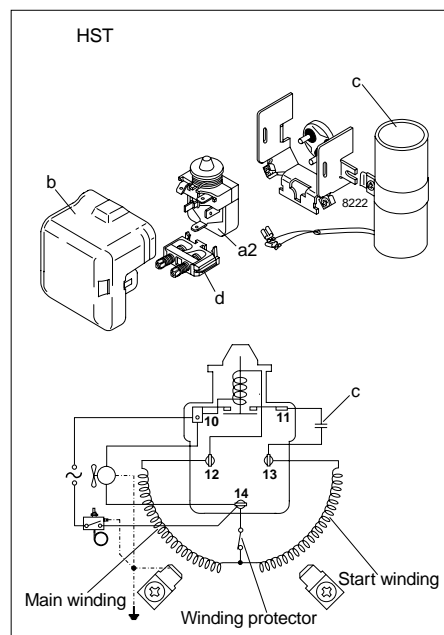
**COP (ASHRAE) W/W**

Comp. °C	-35	-30	-25	-23.3	-20	-15	-10
SC15F	0.66	0.83	1.03	1.10	1.23	1.44	1.64

Test conditions	EN 12900/CECOMAF	ASHRAE
Condensing temperature	55°C	55°C
Ambient and suction gas temp.	32°C	32°C
Liquid temperature	55°C	32°C
Fan cooling, 220V 50Hz		

**Accessories**

Devices	Fig.	SC15F
PTC starting device 6.3 mm spades	a1	103N0002
Starting relay	a2	117U6003
Cover	b	103N2009
Starting capacitor 80 µF	c	117U5017
Cord relief	d	103N1004
Mounting accessories		
Bolt joint for one compressor		118-1917
Bolt joint in quantities		118-1918
Snap-on in quantities		118-1919



# SC18F Standard Compressor R134a 220-240V 50Hz

Data Sheet (Replaces CD.44.B5.02)

## General

Compressor	<b>SC18F</b>
Code number	104G8800
Code number compressor with oil cooler	104G8810

## Application

Application		LBP*)
Evaporating temperature range	°C	-35 to -5
Voltage range	V/Hz	198 - 254 /50
Motor type		CSIR
Max. ambient temperature	°C	38
Comp. cooling at ambient temp.	32°C	O/F <sub>1</sub>
	38°C	O/F <sub>1</sub>

\*) Can be used as a HBP compressor with 240V 50Hz mains (216-254V).

## Design

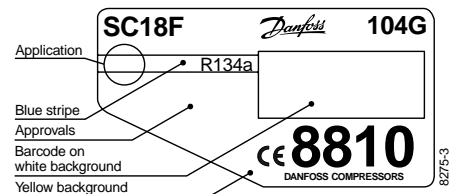
Displacement	cm <sup>3</sup>	17.69
Oil quantity	cm <sup>3</sup>	600 (550 on comp. with oil cooler)
Maximum refrigerant charge	g	1300
Free gas vol. in compressor	cm <sup>3</sup>	1410
Weight without electrical equipment	kg	13.1

## Motor

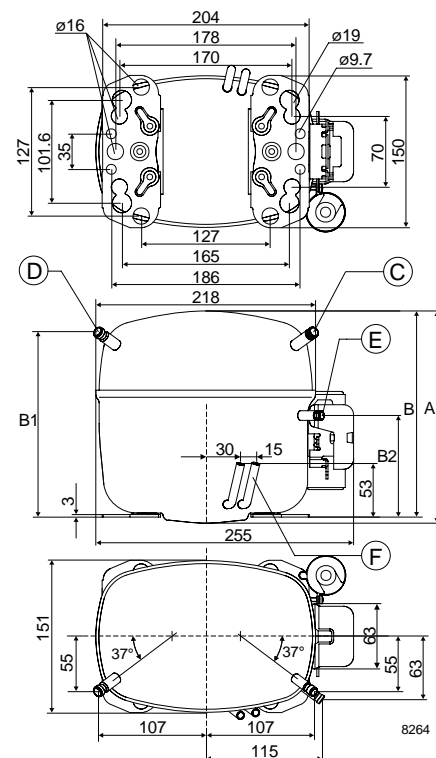
Motor size	watt	385
LRA (rated after 4 sec. UL984) HST	A	14.8
Cut-in current HST	A	14.8
Resistance, main and start winding (25°C)	Ω	5.0/13.7
Approvals		EN 60335-2-34

## Dimensions

Height	mm	A	209
		B	203
		B1	183
		B2	100
Suction connector	location/I.D. mm	C	10.2 ±0.09
Process connector	location/I.D. mm	D	6.2 ±0.09
Discharge connector	location/I.D. mm	E	6.2 ±0.09
Oil cooler	location/I.D. mm	F	6.2 ±0.09
Compressors on a pallet	pcs.		80



- S = Static cooling normally sufficient
- O = Oil cooling
- F<sub>1</sub> = Fan cooling 1.5 m/s  
(compressor compartment temperature equal to ambient temperature)
- F<sub>2</sub> = Fan cooling 3.0 m/s necessary



**Capacity (EN 12900/CECOMAF)**
**watt**

Comp. °C	-35	-30	-25	-23.3	-20	-15	-10	-5
SC18F	129	194	280	314	388	518	669	842

**Capacity (ASHRAE)**
**watt**

Comp. °C	-35	-30	-25	-23.3	-20	-15	-10	-5
SC18F	159	238	345	387	478	638	825	1039

**Power consumption**
**watt**

Comp. °C	-35	-30	-25	-23.3	-20	-15	-10	-5
SC18F	206	258	313	332	370	430	492	556

**Current consumption**
**A**

Comp. °C	-35	-30	-25	-23.3	-20	-15	-10	-5
SC18F	2.04	2.15	2.29	2.35	2.46	2.65	2.84	3.05

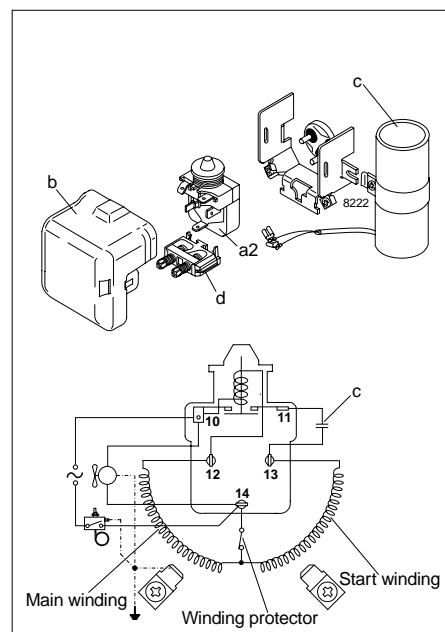
**COP (EN 12900/CECOMAF)**
**W/W**

Comp. °C	-35	-30	-25	-23.3	-20	-15	-10	-5
SC18F	0.63	0.75	0.90	0.95	1.05	1.20	1.36	1.51

**COP (ASHRAE)**
**W/W**

Comp. °C	-35	-30	-25	-23.3	-20	-15	-10	-5
SC18F	0.77	0.92	1.10	1.17	1.29	1.48	1.68	1.87

Test conditions	EN 12900/CECOMAF	ASHRAE
Condensing temperature	55°C	55°C
Ambient and suction gas temp.	32°C	32°C
Liquid temperature	55°C	32°C
Fan cooling, 220V 50Hz		


**Accessories**

Devices	Fig.	SC18F
Starting relay	a2	117U6005
Cover	b	103N2009
Starting capacitor 80 µF	c	117U5017
Cord relief	d	103N1004
Mounting accessories		
Bolt joint for one compressor		118-1917
Bolt joint in quantities		118-1918
Snap-on in quantities		118-1919



# SC21F

## Standard Compressor

### R134a

### 220-240V 50Hz

Data Sheet (Replaces CD.44.X1.02)

#### General

Compressor	<b>SC21F</b>
Code number	104G8100
Code number compressor with oil cooler	104G8110

#### Application

Application		LBP*)
Evaporating temperature range	°C	-35 to -5
Voltage range	V/Hz	198 - 254 /50
Motor type		CSIR
Max. ambient temperature	°C	38
Comp. cooling at ambient temp.	32°C	O/F <sub>1</sub>
	38°C	O/F <sub>1</sub>

\*) Can be used as a HBP compressor with 240V 50Hz mains (216-254V).

#### Design

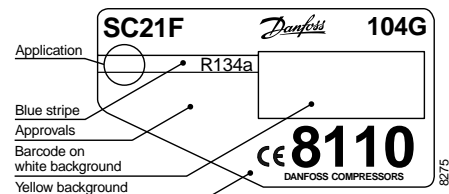
Displacement	cm <sup>3</sup>	20.95
Oil quantity	cm <sup>3</sup>	600 (550 on comp. with oil cooler)
Maximum refrigerant charge	g	1300
Free gas vol. in compressor	cm <sup>3</sup>	1460
Weight without electrical equipment	kg	13.3

#### Motor

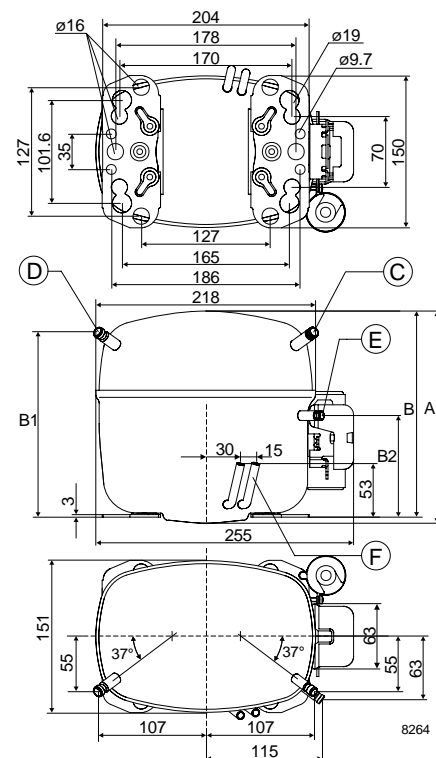
Motor size	watt	495
LRA (rated after 4 sec. UL984) HST	A	18.6
Cut-in current HST	A	18.6
Resistance, main and start winding (25°C)	Ω	3.7/14.1
Approvals		EN 60335-2-34

#### Dimensions

Height	mm	A	219
		B	213
		B1	193
		B2	110
Suction connector	location/I.D. mm	C	10.2 ±0.09
Process connector	location/I.D. mm	D	6.2 ±0.09
Discharge connector	location/I.D. mm	E	6.2 ±0.09
Oil cooler	location/I.D. mm	F	6.2 ±0.09
Compressors on a pallet	pcs.		80



- S = Static cooling normally sufficient
- O = Oil cooling
- F<sub>1</sub> = Fan cooling 1.5 m/s  
(compressor compartment temperature equal to ambient temperature)
- F<sub>2</sub> = Fan cooling 3.0 m/s necessary



**Capacity (EN 12900/CECOMAF)**
**watt**

Comp. °C	-35	-30	-25	-23.3	-20	-15	-10	-5
SC21F	185	245	335	375	455	610	780	990

**Capacity (ASHRAE)**
**watt**

Comp. °C	-35	-30	-25	-23.3	-20	-15	-10	-5
SC21F	228	302	412	462	560	750	960	1220

**Power consumption**
**watt**

Comp. °C	-35	-30	-25	-23.3	-20	-15	-10	-5
SC21F	275	325	380	405	450	520	600	685

**Current consumption**
**A**

Comp. °C	-35	-30	-25	-23.3	-20	-15	-10	-5
SC21F	2.50	2.64	2.77	2.81	2.92	3.16	3.53	4.09

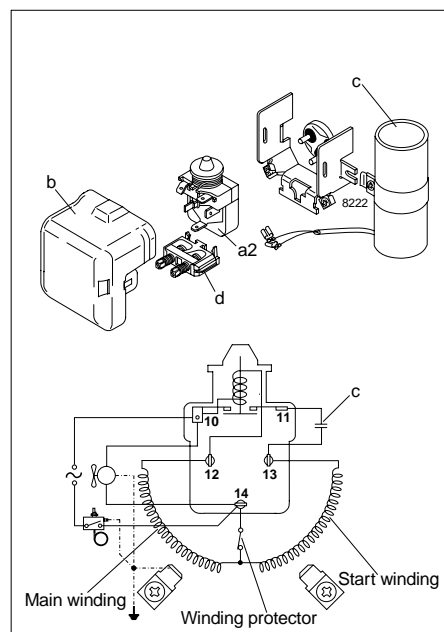
**COP (EN 12900/CECOMAF)**
**W/W**

Comp. °C	-35	-30	-25	-23.3	-20	-15	-10	-5
SC21F	0.67	0.75	0.88	0.92	1.01	1.17	1.30	1.45

**COP (ASHRAE)**
**W/W**

Comp. °C	-35	-30	-25	-23.3	-20	-15	-10	-5
SC21F	0.83	0.93	1.08	1.14	1.24	1.44	1.60	1.78

Test conditions	EN 12900/CECOMAF	ASHRAE
Condensing temperature	55°C	55°C
Ambient and suction gas temp.	32°C	32°C
Liquid temperature	55°C	32°C
Fan cooling, 220V 50Hz		


**Accessories**

Devices	Fig.	SC21F
Starting relay	a2	117U6019
Cover	b	103N2009
Starting capacitor 80 µF	c	117U5017
Cord relief	d	103N1004
Mounting accessories		
Bolt joint for one compressor		118-1917
Bolt joint in quantities		118-1918
Snap-on in quantities		118-1919

# PLE35F

## Energy-optimized Compressor

### R134a

### 220-240V 50Hz

Data Sheet (Replaces CD.41.D5.02)

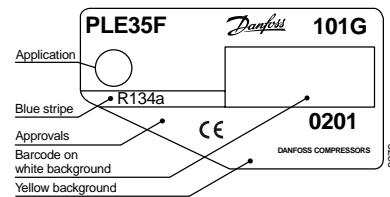
#### General

Compressor	PLE35F
Code number	101G0201

#### Application

Application	MBP
Evaporating temperature range	°C -25 to 0
Voltage range	V/Hz 198 - 254 /50
Motor type	RSCR*
Max. ambient temperature	°C 38
Comp. cooling at ambient temp.	32°C S
	38°C S

\* run capacitor 4 µF compulsory



- S = Static cooling normally sufficient
- O = Oil cooling
- F<sub>1</sub> = Fan cooling 1.5 m/s  
(compressor compartment temperature equal to ambient temperature)
- F<sub>2</sub> = Fan cooling 3.0 m/s necessary

#### Design

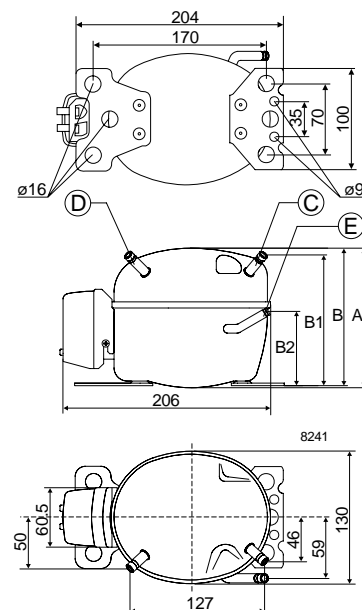
Displacement	cm <sup>3</sup>	2.00
Oil quantity	cm <sup>3</sup>	150
Maximum refrigerant charge	g	300
Free gas vol. in compressor	cm <sup>3</sup>	870
Weight without electrical equipment	kg	4.8

#### Motor

Motor size	watt	37
LRA (rated after 4 sec. UL984) LST	A	1.3
Cut-in current LST	A	5.0
Resistance, main and start winding (25°C)	Ω	57.0/22.0
Approvals		EN 60335-2-34 with Annex AA

#### Dimensions

Height	mm	A	137
		B	135
		B1	128
		B2	73
Suction connector	location/l.D. mm	C	6.2 ±0.09
Process connector	location/l.D. mm	D	6.2 ±0.09
Discharge connector	location/l.D. mm	E	5.0 +0.12/+0.20
Compressors on a pallet	pcs.		150



**Capacity (EN 12900/CECOMAF)**
**watt**

Comp. °C	-25	-23.3	-20	-15	-10	-5	0
PLE35F	32	36	45	60	79	100	125

**Capacity (ASHRAE)**
**watt**

Comp. °C	-25	-23.3	-20	-15	-10	-5	0
PLE35F	39	44	55	74	97	124	154

**Power consumption**
**watt**

Comp. °C	-25	-23.3	-20	-15	-10	-5	0
PLE35F	44	46	50	56	62	69	78

**Current consumption**
**A**

Comp. °C	-25	-23.3	-20	-15	-10	-5	0
PLE35F	0.20	0.21	0.23	0.26	0.29	0.32	0.34

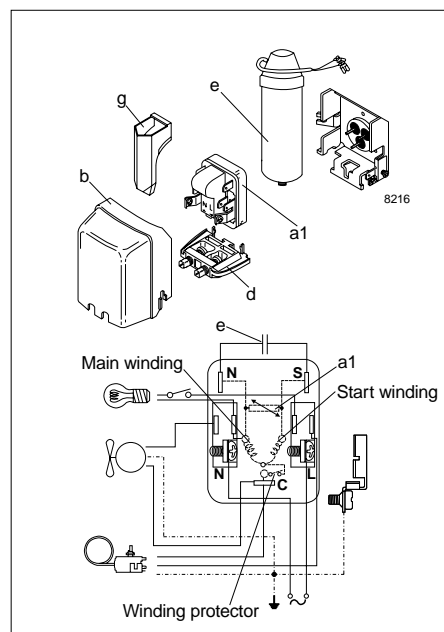
**COP (EN 12900/CECOMAF)**
**W/W**

Comp. °C	-25	-23.3	-20	-15	-10	-5	0
PLE35F	0.73	0.78	0.89	1.07	1.27	1.45	1.60

**COP (ASHRAE)**
**W/W**

Comp. °C	-25	-23.3	-20	-15	-10	-5	0
PLE35F	0.89	0.96	1.09	1.32	1.57	1.79	1.98

Test conditions	EN 12900/CECOMAF	ASHRAE
Condensing temperature	55°C	55°C
Ambient and suction gas temp.	32°C	32°C
Liquid temperature	55°C	32°C
Static cooling, with RC 4 µF, 220V 50Hz, PTC consumption incl.		


**Accessories**

Devices	Fig.	PLE35F
PTC starting device 6.3 mm spades 4.8 mm spades	a1	103N0016 103N0021
Cover	b	103N0491
Cord relief	d	103N1010
Run capacitor 4 µF (compulsory) 6.3 mm spades 4.8 mm spades	e	117-7117 117-7119
Protection screen for PTC	g	103N0476
Mounting accessories		
Bolt joint for one compressor		118-1917
Bolt joint in quantities		118-1918
Snap-on in quantities		118-1919

# PLE50F

## Energy-optimized Compressor

### R134a

### 220-240V 50Hz

Data Sheet (Replaces CD.41.H1.02)

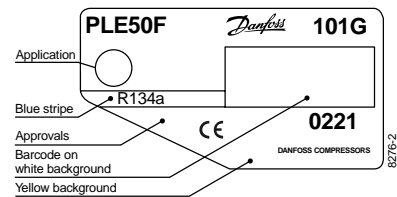
#### General

Compressor	PLE50F
Code number	101G0221

#### Application

Application	MBP
Evaporating temperature range	°C -25 to 0
Voltage range	V/Hz 198 - 254 /50
Motor type	RSCR*
Max. ambient temperature	°C 38
Comp. cooling at ambient temp.	32°C S
	38°C S

\* run capacitor 4 µF compulsory



- S = Static cooling normally sufficient
- O = Oil cooling
- F<sub>1</sub> = Fan cooling 1.5 m/s  
(compressor compartment temperature equal to ambient temperature)
- F<sub>2</sub> = Fan cooling 3.0 m/s necessary

#### Design

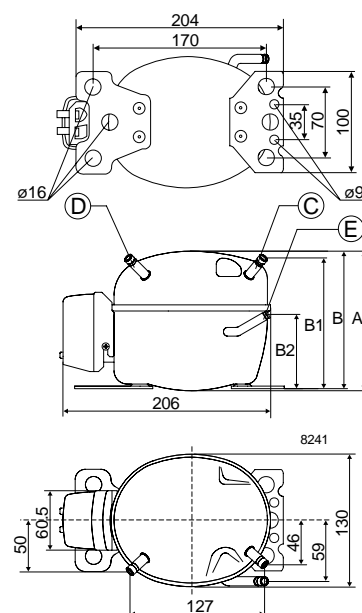
Displacement	cm <sup>3</sup>	2.50
Oil quantity	cm <sup>3</sup>	150
Maximum refrigerant charge	g	300
Free gas vol. in compressor	cm <sup>3</sup>	870
Weight without electrical equipment	kg	4.8

#### Motor

Motor size	watt	44
LRA (rated after 4 sec. UL984) LST	A	1.4
Cut-in current LST	A	5.1
Resistance, main and start winding (25°C)	Ω	47.0/24.0
Approvals		EN 60335-2-34 with Annex AA

#### Dimensions

Height	mm	A	140
		B	138
		B1	131
		B2	73
Suction connector	location/l.D. mm	C	6.2 ±0.09
Process connector	location/l.D. mm	D	6.2 ±0.09
Discharge connector	location/l.D. mm	E	5.0 +0.12/+0.20
Compressors on a pallet	pcs.		150



**Capacity (EN 12900/CECOMAF)**
**watt**

Comp. °C	-25	-23.3	-20	-15	-10	-5	0
PLE50F	42.0	47.2	57.9	76.2	97.4	122	150

**Capacity (ASHRAE)**
**watt**

Comp. °C	-25	-23.3	-20	-15	-10	-5	0
PLE50F	51.9	58.2	71.5	94.1	120	151	186

**Power consumption**
**watt**

Comp. °C	-25	-23.3	-20	-15	-10	-5	0
PLE50F	52.0	54.4	59.0	66.3	74.2	82.8	92.6

**Current consumption**
**A**

Comp. °C	-25	-23.3	-20	-15	-10	-5	0
PLE50F	0.29	0.30	0.31	0.34	0.37	0.40	0.44

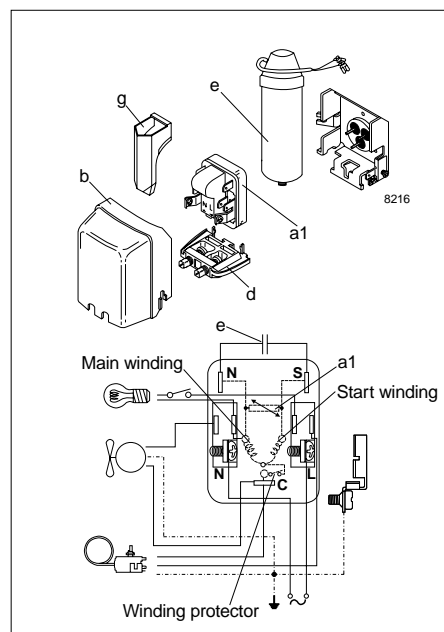
**COP (EN 12900/CECOMAF)**
**W/W**

Comp. °C	-25	-23.3	-20	-15	-10	-5	0
PLE50F	0.81	0.87	0.98	1.15	1.31	1.47	1.62

**COP (ASHRAE)**
**W/W**

Comp. °C	-25	-23.3	-20	-15	-10	-5	0
PLE50F	1.00	1.07	1.21	1.42	1.62	1.82	2.01

Test conditions	EN 12900/CECOMAF	ASHRAE
Condensing temperature	55°C	55°C
Ambient and suction gas temp.	32°C	32°C
Liquid temperature	55°C	32°C
Static cooling, with RC 4 µF, 220V 50Hz, PTC consumption incl.		


**Accessories**

Devices	Fig.	PLE50F
PTC starting device 6.3 mm spades 4.8 mm spades	a1	103N0016 103N0021
Cover	b	103N0491
Cord relief	d	103N1010
Run capacitor 4 µF (compulsory) 6.3 mm spades 4.8 mm spades	e	117-7117 117-7119
Protection screen for PTC	g	103N0476
Mounting accessories Bolt joint for one compressor Bolt joint in quantities Snap-on in quantities		118-1917 118-1918 118-1919



**Capacity (EN 12900/CECOMAF) watt**

Comp. °C	-25	-23.3	-20	-15	-10	-5	0
TLES3F	50.0	56.2	69.6	93.1	121	155	193

**Capacity (ASHRAE) watt**

Comp. °C	-25	-23.3	-20	-15	-10	-5	0
TLES3F	61.7	69.4	85.9	115	150	191	240

**Power consumption watt**

Comp. °C	-25	-23.3	-20	-15	-10	-5	0
TLES3F	62.0	65.0	71.1	81.1	92.4	105	120

**Current consumption A**

Comp. °C	-25	-23.3	-20	-15	-10	-5	0
TLES3F	0.45	0.46	0.48	0.52	0.56	0.60	0.65

**COP (EN 12900/CECOMAF) W/W**

Comp. °C	-25	-23.3	-20	-15	-10	-5	0
TLES3F	0.81	0.87	0.98	1.15	1.31	1.47	1.61

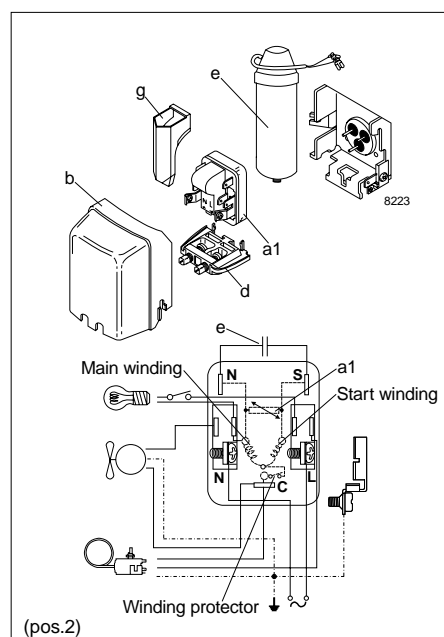
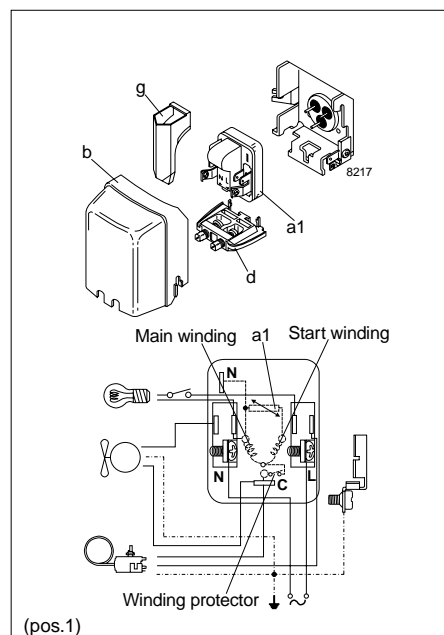
**COP (ASHRAE) W/W**

Comp. °C	-25	-23.3	-20	-15	-10	-5	0
TLES3F	1.00	1.07	1.21	1.42	1.62	1.82	2.00

Test conditions	EN 12900/CECOMAF	ASHRAE
Condensing temperature	55°C	55°C
Ambient and suction gas temp.	32°C	32°C
Liquid temperature	55°C	32°C
Static cooling, 220V 50Hz,		
PTC consumption incl.		

**Accessories**

Devices	Fig.	TLES3F
PTC starting device	6.3 mm spades	a1
	4.8 mm spades	(pos.1)
PTC starting device	6.3 mm spades	a1
	4.8 mm spades	(pos.2)
Cover	b	103N2010
Cord relief	d	103N1010
Run capacitor 4 µF (optional)	6.3 mm spades	e
	4.8 mm spades	
Protection screen for PTC	g	103N0476
Mounting accessories		
Bolt joint for one compressor		118-1917
Bolt joint in quantities		118-1918
Snap-on in quantities		118-1919





# TLES4F

## Energy-optimized Compressor

### R134a

### 220-240V 50Hz

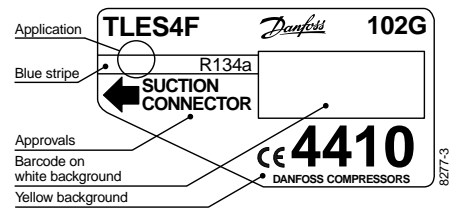
Data Sheet (Replaces CG.42.D2.02)

#### General

Compressor	<b>TLES4F</b>
Code number	102G4410

#### Application

Application		LBP
Evaporating temperature range	°C	-35 to -10
Voltage range	V/Hz	198 - 254 /50
Motor type		RSIR/RSCR
Max. ambient temperature	°C	43
Comp. cooling at ambient temp.	32°C	S
	38°C	S
	43°C	S



- S = Static cooling normally sufficient
- O = Oil cooling
- F<sub>1</sub> = Fan cooling 1.5 m/s  
(compressor compartment temperature equal to ambient temperature)
- F<sub>2</sub> = Fan cooling 3.0 m/s necessary

#### Design

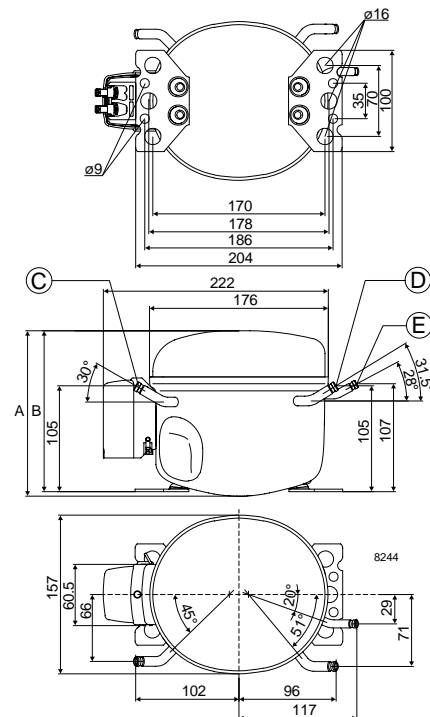
Displacement	cm <sup>3</sup>	3.86
Oil quantity	cm <sup>3</sup>	180
Maximum refrigerant charge	g	400
Free gas vol. in compressor	cm <sup>3</sup>	1790
Weight without electrical equipment	kg	7.5

#### Motor

Motor size	watt	80
LRA (rated after 4 sec. UL984) LST	A	2.9
Cut-in current LST	A	7.6
Resistance, main and start winding (25°C)	Ω	25.7/15.7
Approvals		EN 60335-2-34 with Annex AA

#### Dimensions

Height	mm	A	173
		B	169
Suction connector	location/I.D. mm	C	6.2 ±0.09
Process connector	location/I.D. mm	D	6.2 ±0.09
Discharge connector	location/I.D. mm	E	5.0 +0.12/+0.20
Compressors on a pallet	pcs.		125



**Capacity (EN 12900/CECOMAF) watt**

Comp. °C	-35	-30	-25	-23.3	-20	-15	-10
TLES4F	32.6	49.5	70.0	77.9	94.8	124	160

**Capacity (ASHRAE) watt**

Comp. °C	-35	-30	-25	-23.3	-20	-15	-10
TLES4F	40.1	61.1	86.4	96.2	117	154	197

**Power consumption watt**

Comp. °C	-35	-30	-25	-23.3	-20	-15	-10
TLES4F	59.9	69.5	80.0	83.8	91.4	104	118

**Current consumption A**

Comp. °C	-35	-30	-25	-23.3	-20	-15	-10
TLES4F	0.45	0.49	0.54	0.56	0.60	0.66	0.73

**COP (EN 12900/CECOMAF) W/W**

Comp. °C	-35	-30	-25	-23.3	-20	-15	-10
TLES4F	0.54	0.71	0.88	0.93	1.04	1.20	1.35

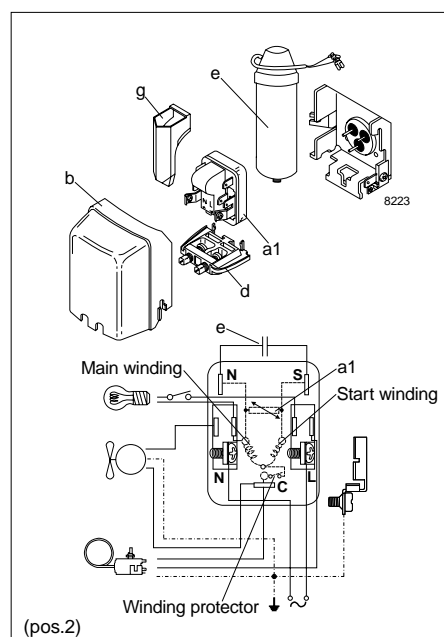
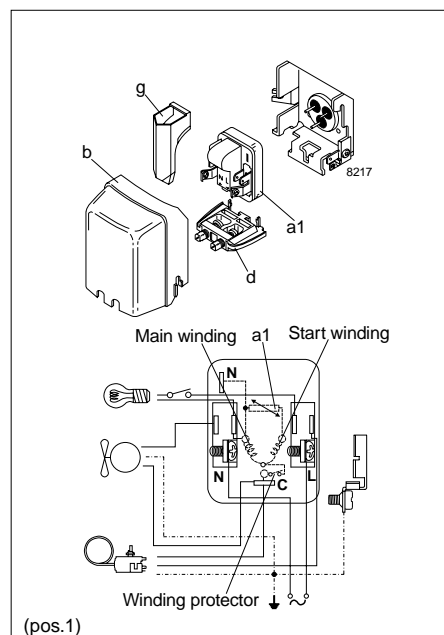
**COP (ASHRAE) W/W**

Comp. °C	-35	-30	-25	-23.3	-20	-15	-10
TLES4F	0.67	0.88	1.08	1.15	1.28	1.48	1.67

Test conditions	EN 12900/CECOMAF	ASHRAE
Condensing temperature	55°C	55°C
Ambient and suction gas temp.	32°C	32°C
Liquid temperature	55°C	32°C
Static cooling, 220V 50Hz,		
PTC consumption incl.		

**Accessories**

Devices	Fig.	TLES4F
PTC starting device	6.3 mm spades	a1
	4.8 mm spades	(pos.1)
PTC starting device	6.3 mm spades	a1
	4.8 mm spades	(pos.2)
Cover	b	103N2010
Cord relief	d	103N1010
Run capacitor 4 µF (optional)	6.3 mm spades	e
	4.8 mm spades	
Protection screen for PTC	g	103N0476
Mounting accessories		
Bolt joint for one compressor		118-1917
Bolt joint in quantities		118-1918
Snap-on in quantities		118-1919



# TLES5F

## Energy-optimized Compressor

### R134a

### 220-240V 50Hz

Data Sheet (Replaces CG.42.E2.02)

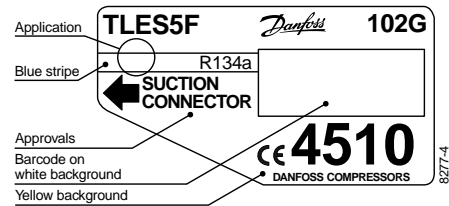
#### General

Compressor	<b>TLES5F</b>
Code number	102G4510

#### Application

Application		LBP
Evaporating temperature range	°C	-35 to -10
Voltage range	V/Hz	198 - 254 /50
Motor type		RSIR/RSCR
Max. ambient temperature	°C	43*
Comp. cooling at ambient temp.	32°C	S
	38°C	S
	43°C	S

\* run capacitor 4 µF recommended in 43°C ambient temperature



- S = Static cooling normally sufficient
- O = Oil cooling
- F<sub>1</sub> = Fan cooling 1.5 m/s  
(compressor compartment temperature equal to ambient temperature)
- F<sub>2</sub> = Fan cooling 3.0 m/s necessary

#### Design

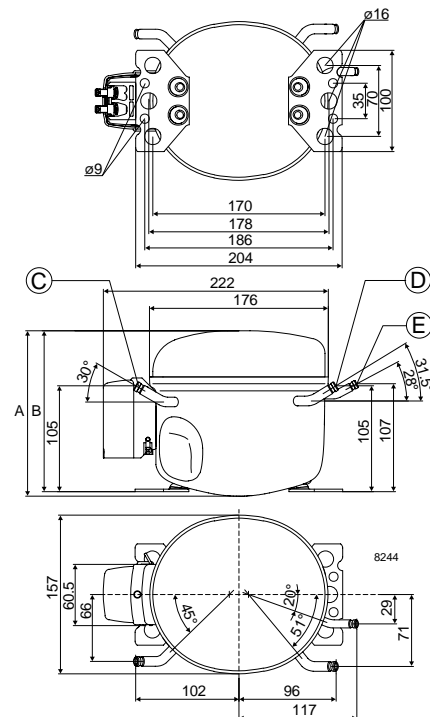
Displacement	cm <sup>3</sup>	5.08
Oil quantity	cm <sup>3</sup>	180
Maximum refrigerant charge	g	400
Free gas vol. in compressor	cm <sup>3</sup>	1790
Weight without electrical equipment	kg	7.6

#### Motor

Motor size	watt	105
LRA (rated after 4 sec. UL984) LST	A	4.0
Cut-in current LST	A	8.5
Resistance, main and start winding (25°C)	Ω	18.9/15.3
Approvals		EN 60335-2-34 with Annex AA

#### Dimensions

Height	mm	A	173
		B	169
Suction connector	location/I.D. mm	C	6.2 ±0.09
Process connector	location/I.D. mm	D	6.2 ±0.09
Discharge connector	location/I.D. mm	E	5.0 +0.12/+0.20
Compressors on a pallet	pcs.		125



**Capacity (EN 12900/CECOMAF) watt**

Comp.°C	-35	-30	-25	-23.3	-20	-15	-10
TLES5F	49.9	71.5	98.0	108	130	169	216

**Capacity (ASHRAE) watt**

Comp.°C	-35	-30	-25	-23.3	-20	-15	-10
TLES5F	61.5	88.1	121	134	161	209	267

**Power consumption watt**

Comp.°C	-35	-30	-25	-23.3	-20	-15	-10
TLES5F	77.3	90.5	105	110	121	139	158

**Current consumption A**

Comp.°C	-35	-30	-25	-23.3	-20	-15	-10
TLES5F	0.59	0.65	0.71	0.73	0.78	0.85	0.92

**COP (EN 12900/CECOMAF) W/W**

Comp.°C	-35	-30	-25	-23.3	-20	-15	-10
TLES5F	0.65	0.79	0.93	0.98	1.08	1.22	1.37

**COP (ASHRAE) W/W**

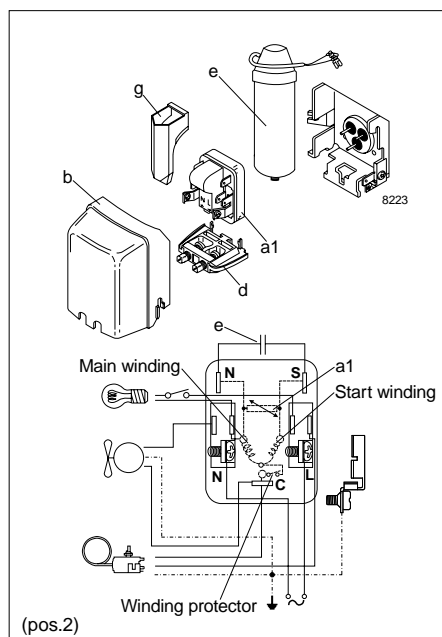
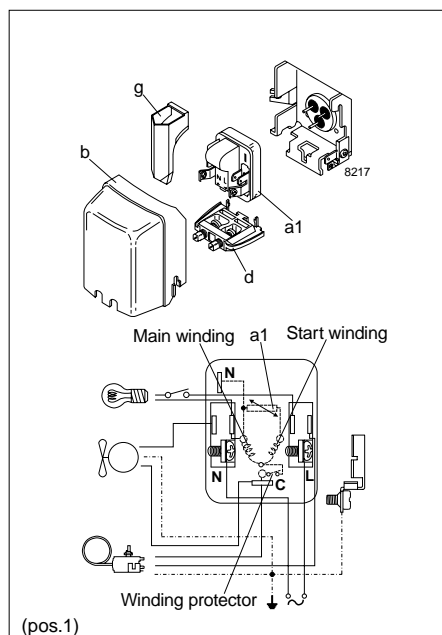
Comp.°C	-35	-30	-25	-23.3	-20	-15	-10
TLES5F	0.80	0.97	1.15	1.21	1.33	1.51	1.69

Test conditions	EN 12900/CECOMAF	ASHRAE
Condensing temperature	55°C	55°C
Ambient and suction gas temp.	32°C	32°C
Liquid temperature	55°C	32°C
Static cooling, 220V 50Hz,		
PTC consumption incl.		

**Accessories**

Devices	Fig.	TLES5F
PTC starting device	6.3 mm spades	a1 103N0011
	4.8 mm spades	(pos.1) 103N0018
PTC starting device	6.3 mm spades	a1 103N0016
	4.8 mm spades	(pos.2) 103N0021
Cover	b	103N2010
Cord relief	d	103N1010
Run capacitor 4 µF (optional)	6.3 mm spades	e 117-7117
	4.8 mm spades	117-7119
Protection screen for PTC	g	103N0476
Mounting accessories		
Bolt joint for one compressor		118-1917
Bolt joint in quantities		118-1918
Snap-on in quantities		118-1919

\* run capacitor 4 µF recommended in 43°C ambient temperature



# TLES6F

## Energy-optimized Compressor

### R134a

### 220-240V 50Hz

Data Sheet (Replaces CD.42.T4.02)

#### General

Compressor	<b>TLES6F</b>
Code number	102G4610

#### Application

Application		LBP
Evaporating temperature range	°C	-35 to -10
Voltage range	V/Hz	198 - 254 /50
Motor type		RSIR/RSCR
Max. ambient temperature	°C	43*
Comp. cooling at ambient temp.	32°C	S
	38°C	S
	43°C	S

\* run capacitor 4 µF compulsory in 38°C and higher ambient temperature

#### Design

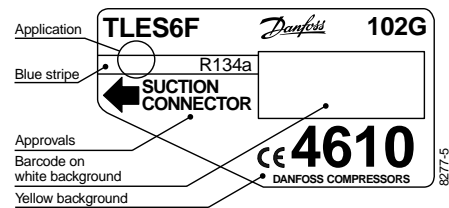
Displacement	cm <sup>3</sup>	5.70
Oil quantity	cm <sup>3</sup>	180
Maximum refrigerant charge	g	400
Free gas vol. in compressor	cm <sup>3</sup>	1790
Weight without electrical equipment	kg	7.6

#### Motor

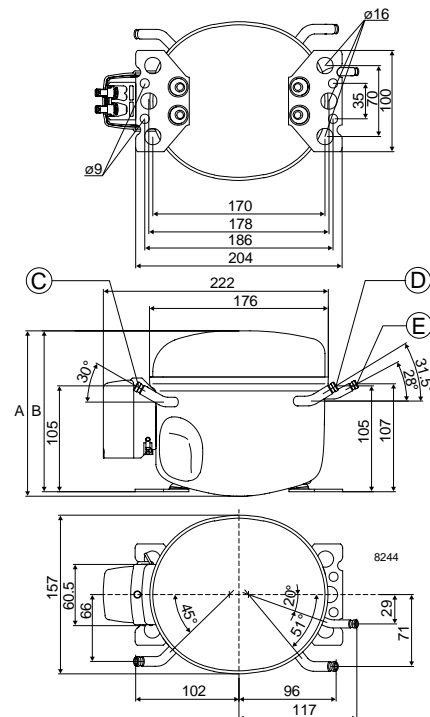
Motor size	watt	120
LRA (rated after 4 sec. UL984) LST	A	4.5
Cut-in current LST	A	8.8
Resistance, main and start winding (25°C)	Ω	16.5/16.9
Approvals		EN 60335-2-34 with Annex AA

#### Dimensions

Height	mm	A	173
		B	169
Suction connector	location/I.D. mm	C	6.2 ±0.09
Process connector	location/I.D. mm	D	6.2 ±0.09
Discharge connector	location/I.D. mm	E	5.0 +0.12/+0.20
Compressors on a pallet	pcs.		125



- S = Static cooling normally sufficient
- O = Oil cooling
- F<sub>1</sub> = Fan cooling 1.5 m/s  
(compressor compartment temperature equal to ambient temperature)
- F<sub>2</sub> = Fan cooling 3.0 m/s necessary



**Capacity (EN 12900/CECOMAF) watt**

Comp. °C	-35	-30	-25	-23.3	-20	-15	-10
TLES6F	58	77	104	115	139	183	235

**Capacity (ASHRAE) watt**

Comp. °C	-35	-30	-25	-23.3	-20	-15	-10
TLES6F	71	95	128	142	172	226	290

**Power consumption watt**

Comp. °C	-35	-30	-25	-23.3	-20	-15	-10
TLES6F	76	93	112	118	131	151	172

**Current consumption A**

Comp. °C	-35	-30	-25	-23.3	-20	-15	-10
TLES6F	0.63	0.69	0.75	0.77	0.82	0.89	0.97

**COP (EN 12900/CECOMAF) W/W**

Comp. °C	-35	-30	-25	-23.3	-20	-15	-10
TLES6F	0.76	0.82	0.93	0.97	1.06	1.21	1.37

**COP (ASHRAE) W/W**

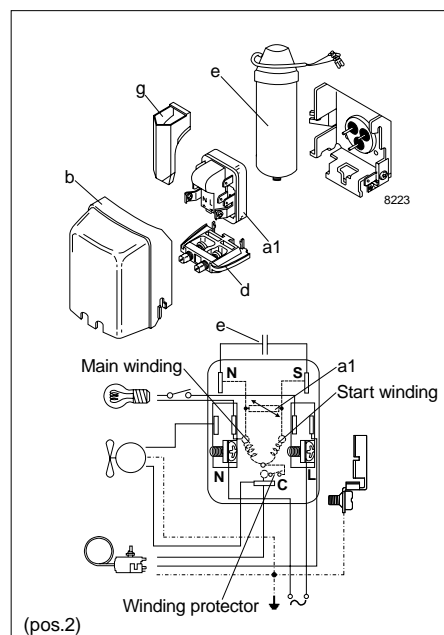
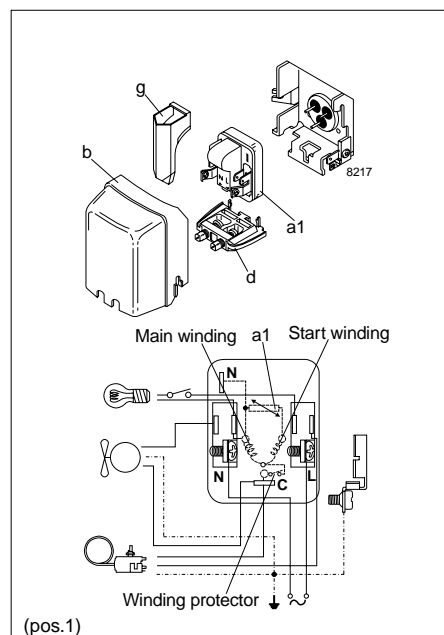
Comp. °C	-35	-30	-25	-23.3	-20	-15	-10
TLES6F	0.94	1.01	1.14	1.20	1.31	1.49	1.69

Test conditions	EN 12900/CECOMAF	ASHRAE
Condensing temperature	55°C	55°C
Ambient and suction gas temp.	32°C	32°C
Liquid temperature	55°C	32°C
Static cooling, 220V 50Hz,		
PTC consumption incl.		

**Accessories**

Devices	Fig.	TLES6F
PTC starting device	6.3 mm spades	a1 103N0011
	4.8 mm spades	(pos.1) 103N0018
PTC starting device	6.3 mm spades	a1 103N0016*
	4.8 mm spades	(pos.2) 103N0021*
Cover	b	103N2010
Cord relief	d	103N1010
Run capacitor 4 µF	6.3 mm spades	e 117-7117*
	4.8 mm spades	117-7119*
Protection screen for PTC	g	103N0476
Mounting accessories		
Bolt joint for one compressor		118-1917
Bolt joint in quantities		118-1918
Snap-on in quantities		118-1919

\* run capacitor 4 µF compulsory in 38°C and higher ambient temp.



# TLES7F

## Energy-optimized Compressor

### R134a

### 220-240V 50Hz

Data Sheet (Replaces CG.42.F1.02)

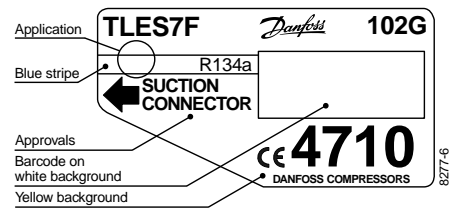
#### General

Compressor	TLES7F
Code number	102G4710

#### Application

Application	LBP
Evaporating temperature range	°C -35 to -10
Voltage range	V/Hz 198 - 254 /50
Motor type	RSIR/CSIR
Max. ambient temperature	°C 38*
Comp. cooling at ambient temp.	32°C S
	38°C S

\* run capacitor 4  $\mu$ F compulsory in 38°C ambient temperature



- S = Static cooling normally sufficient
- O = Oil cooling
- F<sub>1</sub> = Fan cooling 1.5 m/s  
(compressor compartment temperature equal to ambient temperature)
- F<sub>2</sub> = Fan cooling 3.0 m/s necessary

#### Design

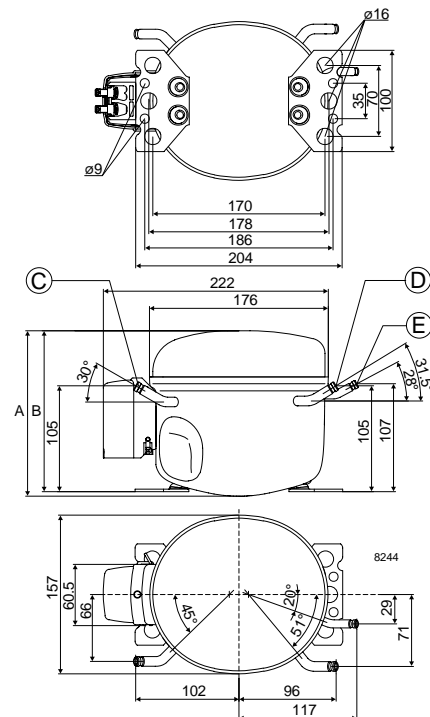
Displacement	cm <sup>3</sup>	6.49
Oil quantity	cm <sup>3</sup>	180
Maximum refrigerant charge	g	400
Free gas vol. in compressor	cm <sup>3</sup>	1790
Weight without electrical equipment	kg	7.8

#### Motor

Motor size	watt	140
LRA (rated after 4 sec. UL984) LST	A	5.2
Cut-in current LST	A	9.9
Resistance, main and start winding (25°C)	$\Omega$	13.9/15.3
Approvals	EN 60335-2-34 with Annex AA	

#### Dimensions

Height	mm	A	173
		B	169
Suction connector	location/I.D. mm	C	6.2 $\pm$ 0.09
Process connector	location/I.D. mm	D	6.2 $\pm$ 0.09
Discharge connector	location/I.D. mm	E	5.0 +0.12/+0.20
Compressors on a pallet	pcs.		125



**Capacity (EN 12900/CECOMAF) watt**

Comp.°C	-35	-30	-25	-23.3	-20	-15	-10
TLES7F	66	89	120	133	160	208	264

**Capacity (ASHRAE) watt**

Comp.°C	-35	-30	-25	-23.3	-20	-15	-10
TLES7F	81	109	148	163	197	256	326

**Power consumption watt**

Comp.°C	-35	-30	-25	-23.3	-20	-15	-10
TLES7F	89	107	127	134	148	170	192

**Current consumption A**

Comp.°C	-35	-30	-25	-23.3	-20	-15	-10
TLES7F	0.79	0.84	0.89	0.91	0.96	1.03	1.12

**COP (EN 12900/CECOMAF) W/W**

Comp.°C	-35	-30	-25	-23.3	-20	-15	-10
TLES7F	0.74	0.83	0.94	0.99	1.08	1.22	1.37

**COP (ASHRAE) W/W**

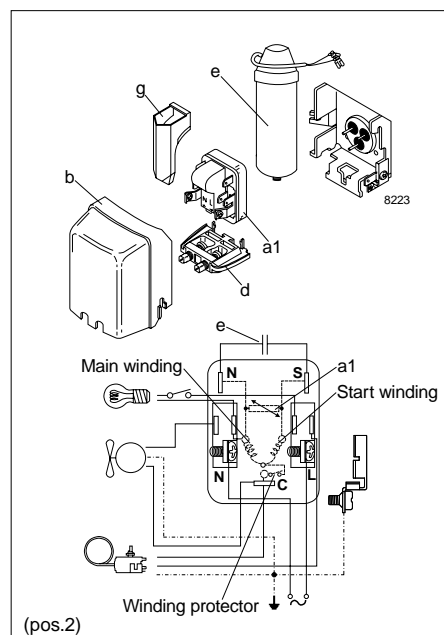
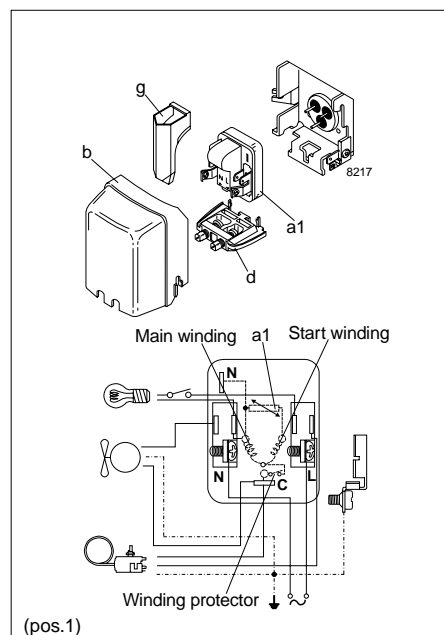
Comp.°C	-35	-30	-25	-23.3	-20	-15	-10
TLES7F	0.91	1.02	1.16	1.22	1.33	1.51	1.69

Test conditions	EN 12900/CECOMAF	ASHRAE
Condensing temperature	55°C	55°C
Ambient and suction gas temp.	32°C	32°C
Liquid temperature	55°C	32°C
Static cooling, 220V 50Hz,		
PTC consumption incl.		

**Accessories**

Devices	Fig.	TLES7F
PTC starting device	6.3 mm spades	a1 103N0011
	4.8 mm spades	(pos.1) 103N0018
PTC starting device	6.3 mm spades	a1 103N0016*
	4.8 mm spades	(pos.2) 103N0021*
Cover	b	103N2010
Cord relief	d	103N1010
Run capacitor 4 µF	6.3 mm spades	e 117-7117*
	4.8 mm spades	117-7119*
Protection screen for PTC	g	103N0476
Mounting accessories		
Bolt joint for one compressor		118-1917
Bolt joint in quantities		118-1918
Snap-on in quantities		118-1919

\* run capacitor 4 µF compulsory in 38°C ambient temperature





# NLE6F

## Energy-optimized Compressor

### R134a

### 220-240V 50Hz

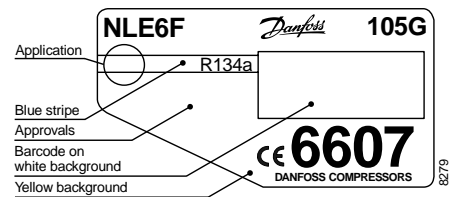
Data Sheet (Replaces CD.43.K4.02)

#### General

Compressor	<b>NLE6F</b>
Code number	105G6607

#### Application

Application		LBP
Evaporating temperature range	°C	-35 to -10
Voltage range	V/Hz	198 - 254 /50
Motor type		RSIR/RSCR
Max. ambient temperature	°C	38
Comp. cooling at ambient temp.	32°C	S
	38°C	S



- S = Static cooling normally sufficient
- O = Oil cooling
- F<sub>1</sub> = Fan cooling 1.5 m/s  
(compressor compartment temperature equal to ambient temperature)
- F<sub>2</sub> = Fan cooling 3.0 m/s necessary

#### Design

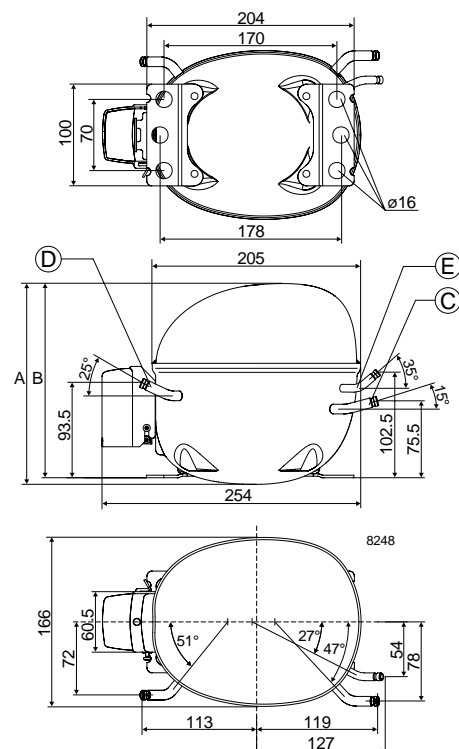
Displacement	cm <sup>3</sup>	6.13
Oil quantity	cm <sup>3</sup>	290
Maximum refrigerant charge	g	400
Free gas vol. in compressor	cm <sup>3</sup>	2310
Weight without electrical equipment	kg	10.2

#### Motor

Motor size	watt	140
LRA (rated after 4 sec. UL984) LST	A	5.0
Cut-in current LST	A	9.4
Resistance, main and start winding (25°C)	Ω	14.9/17.9
Approvals		EN 60335-2-34 with Annex AA

#### Dimensions

Height	mm	A	197
		B	191
Suction connector	location/I.D. mm	C	6.2 ±0.09
Process connector	location/I.D. mm	D	6.2 ±0.09
Discharge connector	location/I.D. mm	E	5.0 +0.12/+0.20
Compressors on a pallet	pcs.		80



**Capacity (EN 12900/CECOMAF) watt**

Comp. °C	-35	-30	-25	-23.3	-20	-15	-10
NLE6F	57	80	112	124	151	198	252

**Capacity (ASHRAE) watt**

Comp. °C	-35	-30	-25	-23.3	-20	-15	-10
NLE6F	70	99	138	153	186	244	311

**Power consumption watt**

Comp. °C	-35	-30	-25	-23.3	-20	-15	-10
NLE6F	71	89	108	115	129	153	179

**Current consumption A**

Comp. °C	-35	-30	-25	-23.3	-20	-15	-10
NLE6F	0.59	0.64	0.70	0.73	0.77	0.86	0.95

**COP (EN 12900/CECOMAF) W/W**

Comp. °C	-35	-30	-25	-23.3	-20	-15	-10
NLE6F	0.80	0.91	1.04	1.08	1.17	1.29	1.41

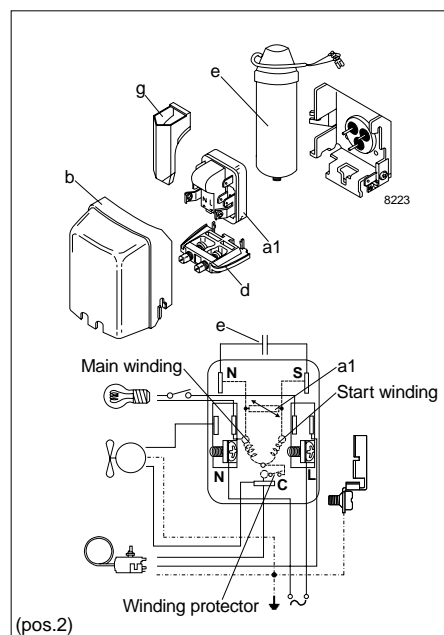
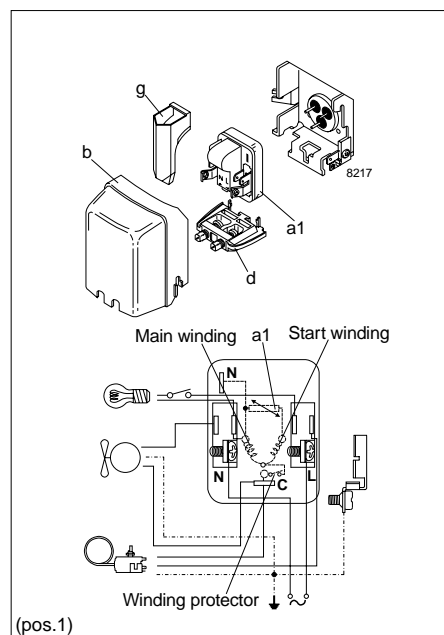
**COP (ASHRAE) W/W**

Comp. °C	-35	-30	-25	-23.3	-20	-15	-10
NLE6F	0.99	1.12	1.27	1.33	1.44	1.60	1.74

Test conditions	EN 12900/CECOMAF	ASHRAE
Condensing temperature	55°C	55°C
Ambient and suction gas temp.	32°C	32°C
Liquid temperature	55°C	32°C
Static cooling, 220V 50Hz,		
PTC consumption incl.		

**Accessories**

Devices	Fig.	NLE6F
PTC starting device	6.3 mm spades	a1
	4.8 mm spades	(pos.1)
PTC starting device	6.3 mm spades	a1
	4.8 mm spades	(pos.2)
Cover	b	103N2010
Cord relief	d	103N1010
Run capacitor 4 µF (optional)	6.3 mm spades	e
	4.8 mm spades	
Protection screen for PTC	g	103N0476
Mounting accessories		
Bolt joint for one compressor		118-1917
Bolt joint in quantities		118-1918
Snap-on in quantities		118-1919



# NLE7F

## Energy-optimized Compressor

### R134a

### 220-240V 50Hz

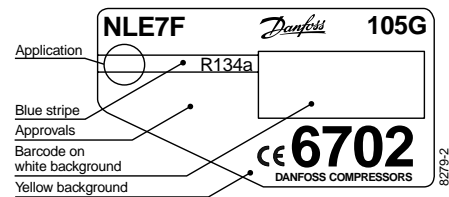
Data Sheet (Replaces CG.43.N1.02)

#### General

Compressor	NLE7F
Code number	105G6702
Code number	105G6705

#### Application

Application	LBP
Evaporating temperature range	°C -35 to -10
Voltage range	V/Hz 198 - 254 /50
Motor type	RSIR/RSCR
Max. ambient temperature	°C 38
Comp. cooling at ambient temp.	32°C S
	38°C S



- S = Static cooling normally sufficient
- O = Oil cooling
- F<sub>1</sub> = Fan cooling 1.5 m/s  
(compressor compartment temperature equal to ambient temperature)
- F<sub>2</sub> = Fan cooling 3.0 m/s necessary

#### Design

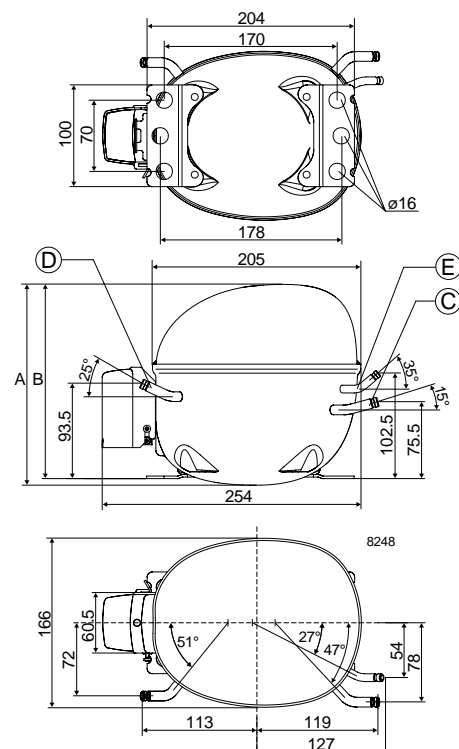
Displacement	cm <sup>3</sup>	7.27
Oil quantity	cm <sup>3</sup>	290
Maximum refrigerant charge	g	400
Free gas vol. in compressor	cm <sup>3</sup>	2310
Weight without electrical equipment	kg	10.1

#### Motor

Motor size	watt	140
LRA (rated after 4 sec. UL984) LST	A	5.0
Cut-in current LST	A	9.4
Resistance, main and start winding (25°C)	Ω	14.9/17.9
Approvals		EN 60335-2-34 with Annex AA

#### Dimensions

		105G6702	105G6705
Height	mm	A	197
		B	191
Suction connector	location/I.D. mm	C 6.2 ±0.09	6.5 ±0.09
Process connector	location/I.D. mm	D 6.2 ±0.09	6.5 ±0.09
Discharge connector	location/I.D. mm	E 5.0+0.12/+0.20	5.0+0.12/+0.20
Compressors on a pallet	pcs.	80	



**Capacity (EN 12900/CECOMAF)**

Comp. °C	-35	-30	-25	-23.3	-20	-15	-10
NLE7F	68	97	135	150	182	238	302

**Capacity (ASHRAE)**

Comp. °C	-35	-30	-25	-23.3	-20	-15	-10
NLE7F	84	119	166	185	224	293	373

**Power consumption**

Comp. °C	-35	-30	-25	-23.3	-20	-15	-10
NLE7F	84	107	131	139	156	181	207

**Current consumption**

Comp. °C	-35	-30	-25	-23.3	-20	-15	-10
NLE7F	0.66	0.72	0.80	0.83	0.88	0.98	1.09

**COP (EN 12900/CECOMAF)**

Comp. °C	-35	-30	-25	-23.3	-20	-15	-10
NLE7F	0.81	0.90	1.03	1.08	1.17	1.32	1.46

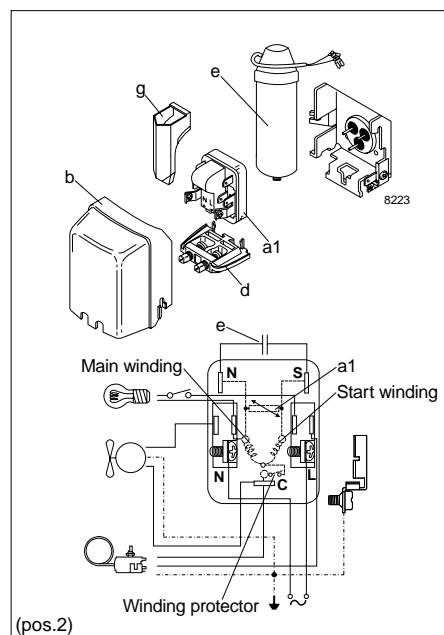
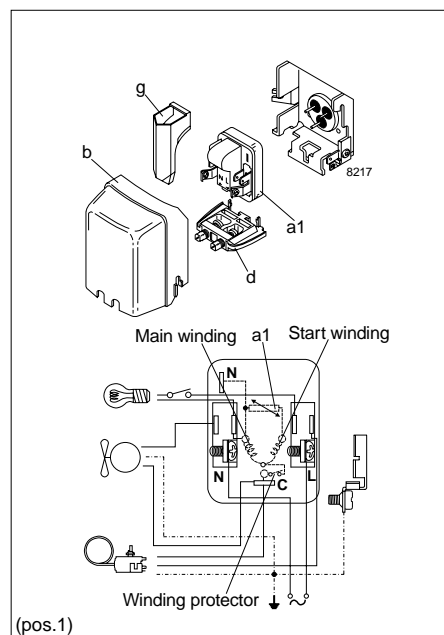
**COP (ASHRAE)**

Comp. °C	-35	-30	-25	-23.3	-20	-15	-10
NLE7F	1.00	1.11	1.27	1.33	1.44	1.62	1.80

Test conditions	EN 12900/CECOMAF	ASHRAE
Condensing temperature	55°C	55°C
Ambient and suction gas temp.	32°C	32°C
Liquid temperature	55°C	32°C
Static cooling, 220V 50Hz,		
PTC consumption incl.		

**Accessories**

Devices	Fig.	NLE7F
PTC starting device	6.3 mm spades	a1
	4.8 mm spades	(pos.1)
PTC starting device	6.3 mm spades	a1
	4.8 mm spades	(pos.2)
Cover	b	103N2010
Cord relief	d	103N1010
Run capacitor 4 µF (optional)	6.3 mm spades	e
	4.8 mm spades	
Protection screen for PTC	g	103N0476
Mounting accessories		
Bolt joint for one compressor		118-1917
Bolt joint in quantities		118-1918
Snap-on in quantities		118-1919



# NLE8FK

## Energy-optimized Compressor

### R134a

### 220-240V 50Hz

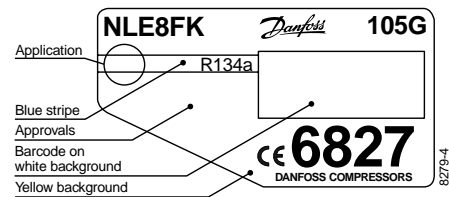
Data Sheet (Replaces CG.43.S1.02)

#### General

Compressor	NLE8FK
Code number	105G6827

#### Application

Application	LBP
Evaporating temperature range	°C -35 to -10
Voltage range	V/Hz 198 - 254 /50
Motor type	RSIR/RSCR
Max. ambient temperature	°C 38
Comp. cooling at ambient temp.	32°C S
	38°C S



- S = Static cooling normally sufficient
- O = Oil cooling
- F<sub>1</sub> = Fan cooling 1.5 m/s  
(compressor compartment temperature equal to ambient temperature)
- F<sub>2</sub> = Fan cooling 3.0 m/s necessary

#### Design

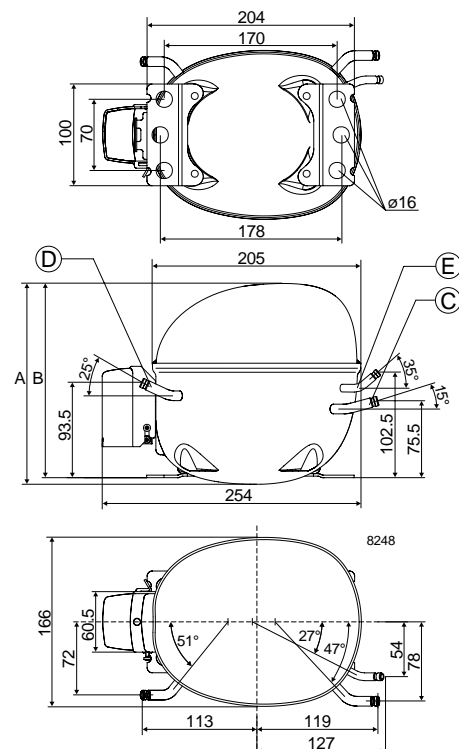
Displacement	cm <sup>3</sup>	8.05
Oil quantity	cm <sup>3</sup>	320
Maximum refrigerant charge	g	400
Free gas vol. in compressor	cm <sup>3</sup>	2230
Weight without electrical equipment	kg	9.8

#### Motor

Motor size	watt	165
LRA (rated after 4 sec. UL984) LST	A	5.8
Cut-in current LST	A	9.8
Resistance, main and start winding (25°C)	Ω	12.9/18.0
Approvals	EN 60335-2-34 with Annex AA	

#### Dimensions

Height	mm	A	197
		B	191
Suction connector	location/I.D. mm	C	6.2 ±0.09
Process connector	location/I.D. mm	D	6.2 ±0.09
Discharge connector	location/I.D. mm	E	5.0 +0.12/+0.20
Compressors on a pallet	pcs.	80	



**Capacity (EN 12900/CECOMAF)**

Comp. °C	-35	-30	-25	-23.3	-20	-15	-10
NLE8FK	82	112	149	163	194	249	317

**Capacity (ASHRAE)**

Comp. °C	-35	-30	-25	-23.3	-20	-15	-10
NLE8FK	101	139	184	201	240	308	392

**Power consumption**

Comp. °C	-35	-30	-25	-23.3	-20	-15	-10
NLE8FK	109	126	145	152	167	191	218

**Current consumption**

Comp. °C	-35	-30	-25	-23.3	-20	-15	-10
NLE8FK	0.88	0.93	1.00	1.02	1.08	1.17	1.28

**COP (EN 12900/CECOMAF)**

Comp. °C	-35	-30	-25	-23.3	-20	-15	-10
NLE8FK	0.75	0.89	1.03	1.07	1.16	1.30	1.45

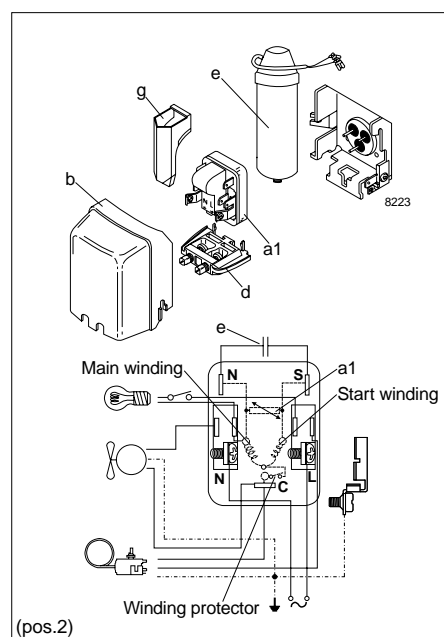
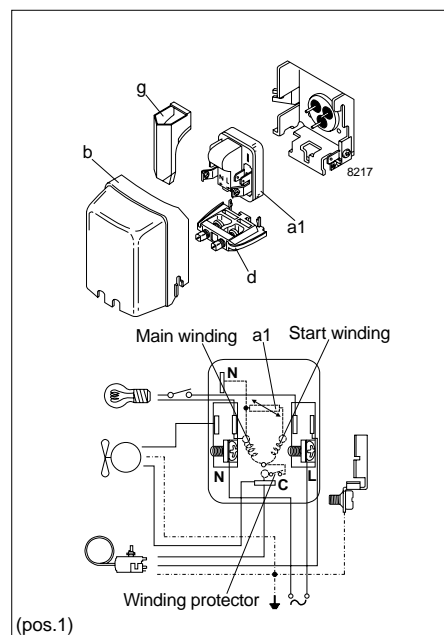
**COP (ASHRAE)**

Comp. °C	-35	-30	-25	-23.3	-20	-15	-10
NLE8FK	0.92	1.10	1.27	1.32	1.43	1.61	1.80

Test conditions	EN 12900/CECOMAF	ASHRAE
Condensing temperature	55°C	55°C
Ambient and suction gas temp.	32°C	32°C
Liquid temperature	55°C	32°C
Static cooling, 220V 50Hz,		
PTC consumption incl.		

**Accessories**

Devices	Fig.	NLE8FK
PTC starting device	6.3 mm spades	a1
	4.8 mm spades	(pos.1)
PTC starting device	6.3 mm spades	a1
	4.8 mm spades	(pos.2)
Cover	b	103N2010
Cord relief	d	103N1010
Run capacitor 4 µF (optional)	6.3 mm spades	e
	4.8 mm spades	
Protection screen for PTC	g	103N0476
Mounting accessories	Bolt joint for one compressor	118-1917
	Bolt joint in quantities	118-1918
	Snap-on in quantities	118-1919



# NLE9F

## Energy-optimized Compressor

### R134a

### 220-240V 50Hz

Data Sheet (Replaces CG.43.O1.02)

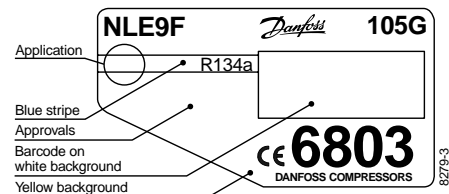
#### General

Compressor	<b>NLE9F</b>
Code number	105G6803
Code number	105G6805*)

\*) Performance data established on 8.2 mm suction line. Restrictions due to 6.2 mm suction line can affect system performance.

#### Application

Application	LBP	
Evaporating temperature range	°C	-35 to -10
Voltage range	V/Hz	198 - 254 /50
Motor type	RSIR/RSCR	
Max. ambient temperature	°C	38
Comp. cooling at ambient temp.	32°C	S
	38°C	S



- S = Static cooling normally sufficient
- O = Oil cooling
- F<sub>1</sub> = Fan cooling 1.5 m/s  
(compressor compartment temperature equal to ambient temperature)
- F<sub>2</sub> = Fan cooling 3.0 m/s necessary

#### Design

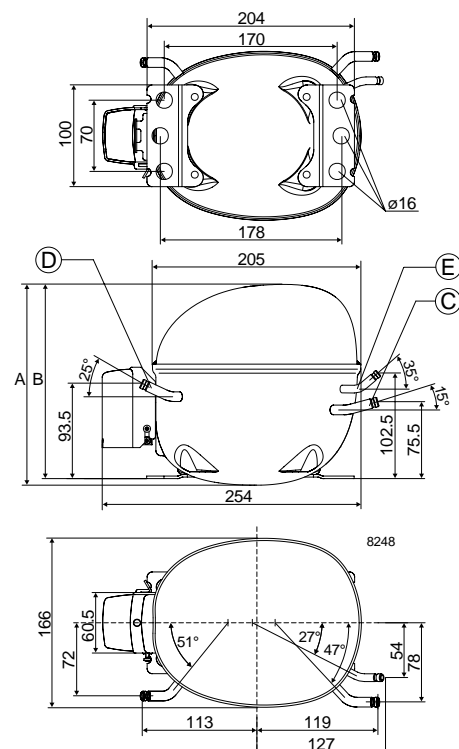
Displacement	cm <sup>3</sup>	8.35
Oil quantity	cm <sup>3</sup>	290
Maximum refrigerant charge	g	400
Free gas vol. in compressor	cm <sup>3</sup>	2310
Weight without electrical equipment	kg	10.1

#### Motor

Motor size	watt	165
LRA (rated after 4 sec. UL984) LST	A	6.4
Cut-in current LST	A	10.7
Resistance, main and start winding (25°C)	Ω	12.9/18.0
Approvals	EN 60335-2-34 with Annex AA	

#### Dimensions

		105G6803	105G6805
Height	mm	A	197
		B	191
Suction connector	location/I.D. mm	C	8.2 ±0.09
Process connector	location/I.D. mm	D	6.2 ±0.09
Discharge connector	location/I.D. mm	E	6.2 ±0.09
Compressors on a pallet	pcs.	80	



**Capacity (EN 12900/CECOMAF) watt**

Comp. °C	-35	-30	-25	-23.3	-20	-15	-10
NLE9F	82	112	154	171	207	271	346

**Capacity (ASHRAE) watt**

Comp. °C	-35	-30	-25	-23.3	-20	-15	-10
NLE9F	101	138	190	210	255	334	427

**Power consumption watt**

Comp. °C	-35	-30	-25	-23.3	-20	-15	-10
NLE9F	102	125	150	159	177	206	237

**Current consumption A**

Comp. °C	-35	-30	-25	-23.3	-20	-15	-10
NLE9F	0.85	0.95	1.09	1.15	1.27	1.48	1.73

**COP (EN 12900/CECOMAF) W/W**

Comp. °C	-35	-30	-25	-23.3	-20	-15	-10
NLE9F	0.80	0.90	1.03	1.08	1.17	1.31	1.46

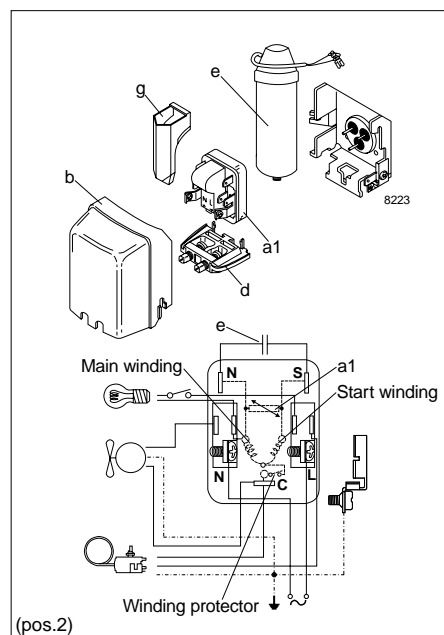
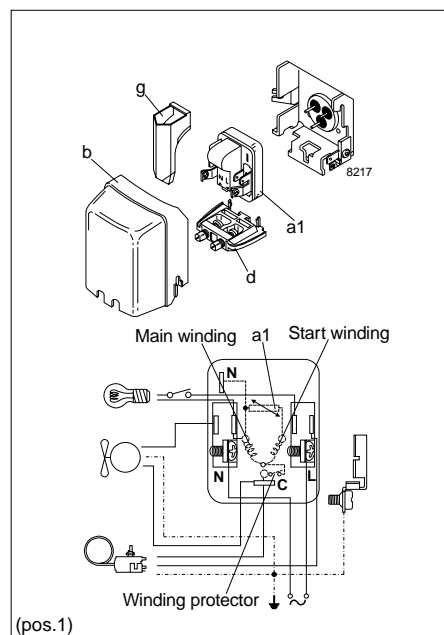
**COP (ASHRAE) W/W**

Comp. °C	-35	-30	-25	-23.3	-20	-15	-10
NLE9F	0.99	1.11	1.27	1.32	1.44	1.62	1.80

Test conditions	EN 12900/CECOMAF	ASHRAE
Condensing temperature	55°C	55°C
Ambient and suction gas temp.	32°C	32°C
Liquid temperature	55°C	32°C
Static cooling, 220V 50Hz,		
PTC consumption incl.		

**Accessories**

Devices	Fig.	NLE9F
PTC starting device	6.3 mm spades	a1
	4.8 mm spades	(pos.1)
PTC starting device	6.3 mm spades	a1
	4.8 mm spades	(pos.2)
Cover	b	103N2010
Cord relief	d	103N1010
Run capacitor 4 µF (optional)	6.3 mm spades	e
	4.8 mm spades	
Protection screen for PTC	g	103N0476
Mounting accessories		
Bolt joint for one compressor		118-1917
Bolt joint in quantities		118-1918
Snap-on in quantities		118-1919





# TLY4F

## High Energy-optimized Compressor

### R134a

### 220-240V 50Hz

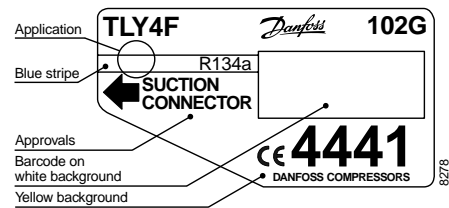
Data Sheet (Replaces CD.42M6.02)

#### General

Compressor	TLY4F
Code number	102G4441

#### Application

Application	LBP
Evaporating temperature range	°C -35 to -10
Voltage range	V/Hz 198 - 254 /50
Motor type	RSCR/RSIR
Max. ambient temperature	°C 43
Comp. cooling at ambient temp.	32°C S
	38°C S
	43°C S



- S = Static cooling normally sufficient
- O = Oil cooling
- F<sub>1</sub> = Fan cooling 1.5 m/s  
(compressor compartment temperature equal to ambient temperature)
- F<sub>2</sub> = Fan cooling 3.0 m/s necessary

#### Design

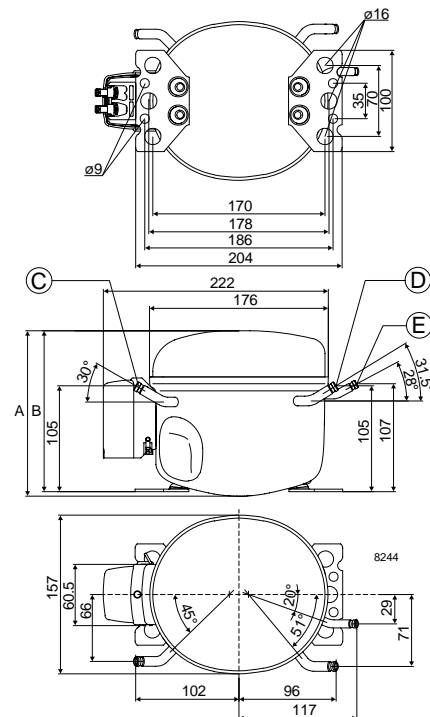
Displacement	cm <sup>3</sup>	3.86
Oil quantity	cm <sup>3</sup>	180
Maximum refrigerant charge	g	400
Free gas vol. in compressor	cm <sup>3</sup>	1790
Weight without electrical equipment	kg	7.6

#### Motor

Motor size	watt	80
LRA (rated after 4 sec. UL984) LST	A	2.9
Cut-in current LST	A	7.6
Resistance, main and start winding (25°C)	Ω	25.7/15.7
Approvals	EN 60335-2-34 with Annex AA	

#### Dimensions

Height	mm	A	173
		B	169
Suction connector	location/I.D. mm	C	6.2 ±0.09
Process connector	location/I.D. mm	D	6.2 ±0.09
Discharge connector	location/I.D. mm	E	5.0 +0.12/+0.20
Compressors on a pallet	pcs.		125



**Capacity (EN 12900/CECOMAF) watt**

Comp. °C	-35	-30	-25	-23.3	-20	-15	-10
TLY4F	34.6	51.5	72.0	79.9	96.8	126	162

**Capacity (ASHRAE) watt**

Comp. °C	-35	-30	-25	-23.3	-20	-15	-10
TLY4F	42.6	63.5	88.9	98.6	119	156	200

**Power consumption watt**

Comp. °C	-35	-30	-25	-23.3	-20	-15	-10
TLY4F	54.4	63.4	73.0	76.5	83.6	95.2	108

**Current consumption A**

Comp. °C	-35	-30	-25	-23.3	-20	-15	-10
TLY4F	0.27	0.31	0.36	0.37	0.41	0.46	0.52

**COP (EN 12900/CECOMAF) W/W**

Comp. °C	-35	-30	-25	-23.3	-20	-15	-10
TLY4F	0.63	0.81	0.99	1.04	1.16	1.33	1.49

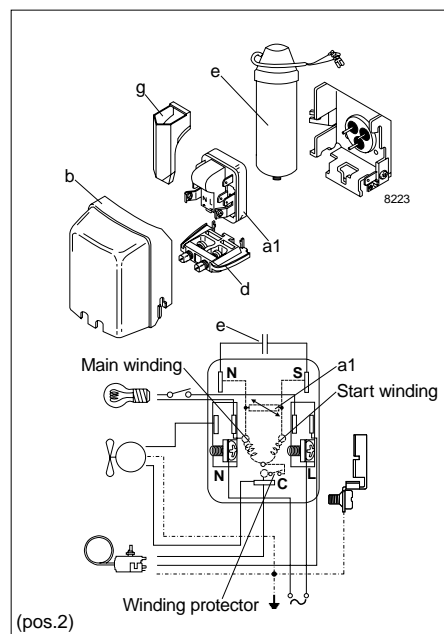
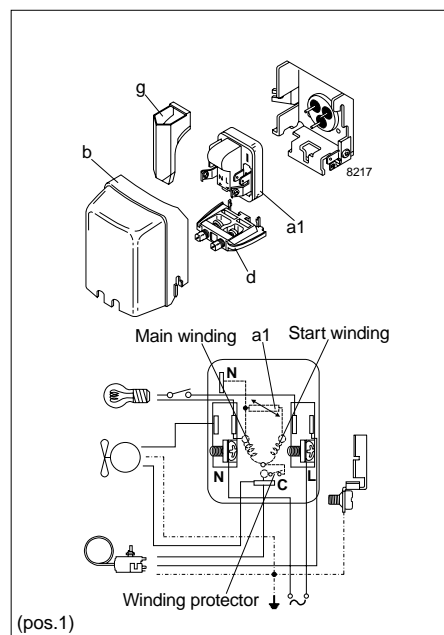
**COP (ASHRAE) W/W**

Comp. °C	-35	-30	-25	-23.3	-20	-15	-10
TLY4F	0.78	1.00	1.22	1.29	1.43	1.64	1.85

Test conditions EN 12900/CECOMAF ASHRAE  
 Condensing temperature 55°C 55°C  
 Ambient and suction gas temp. 32°C 32°C  
 Liquid temperature 55°C 32°C  
 Static cooling, with RC 4 µF, 220V 50Hz,  
 PTC consumption incl.

**Accessories**

Devices	Fig.	TLY4F
PTC starting device	6.3 mm spades	a1 103N0011
	4.8 mm spades	(pos.1) 103N0018
PTC starting device	6.3 mm spades	a1 103N0016
	4.8 mm spades	(pos.2) 103N0021
Cover	b	103N2010
Cord relief	d	103N1010
Run capacitor 4 µF (optional)	6.3 mm spades	e 117-7117
	4.8 mm spades	e 117-7119
Protection screen for PTC	g	103N0476
Mounting accessories		
Bolt joint for one compressor		118-1917
Bolt joint in quantities		118-1918
Snap-on in quantities		118-1919





**Capacity (EN 12900/CECOMAF)**
**watt**

Comp. °C	-35	-30	-25	-23.3	-20	-15	-10
TLY5FK	49.9	71.5	98.0	108	130	169	216

**Capacity (ASHRAE)**
**watt**

Comp. °C	-35	-30	-25	-23.3	-20	-15	-10
TLY5FK	61.5	88.1	121	134	161	209	267

**Power consumption**
**watt**

Comp. °C	-35	-30	-25	-23.3	-20	-15	-10
TLY5FK	71.4	83.6	97.0	102	112	128	146

**Current consumption**
**A**

Comp. °C	-35	-30	-25	-23.3	-20	-15	-10
TLY5FK	0.43	0.49	0.55	0.57	0.62	0.68	0.76

**COP (EN 12900/CECOMAF)**
**W/W**

Comp. °C	-35	-30	-25	-23.3	-20	-15	-10
TLY5FK	0.70	0.85	1.01	1.06	1.17	1.32	1.48

**COP (ASHRAE)**
**W/W**

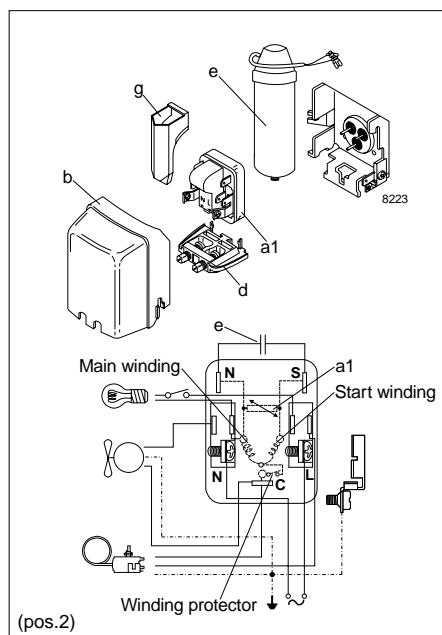
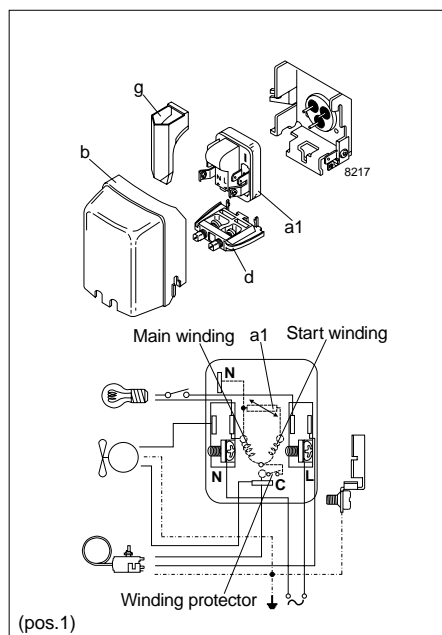
Comp. °C	-35	-30	-25	-23.3	-20	-15	-10
TLY5FK	0.86	1.05	1.25	1.31	1.44	1.64	1.83

Test conditions                      EN 12900/CECOMAF                      ASHRAE  
 Condensing temperature              55°C    55°C  
 Ambient and suction gas temp.              32°C    32°C  
 Liquid temperature                              55°C    32°C  
 Static cooling, with RC 4 µF, 220V 50Hz,  
 PTC consumption incl.

**Accessories**

Devices	Fig.	TLY5FK
PTC starting device	6.3 mm spades	a1
	4.8 mm spades	(pos.1)
PTC starting device	6.3 mm spades	a1
	4.8 mm spades	(pos.2)
Cover	b	103N2010
Cord relief	d	103N1010
Run capacitor 4 µF	6.3 mm spades	e
	4.8 mm spades	
Protection screen for PTC	g	103N0476
Mounting accessories		
Bolt joint for one compressor		118-1917
Bolt joint in quantities		118-1918
Snap-on in quantities		118-1919

\* run capacitor 4 µF compulsory in 43°C ambient temperature



# TLX6FK

## High Energy-optimized Compressor

### R134a

### 220-240V 50Hz

Data Sheet (Replaces CG.42.U1.02)

#### General

Compressor	TLX6FK
Code number	102G4656

#### Application

Application	LBP
Evaporating temperature range	°C -35 to -10
Voltage range	V/Hz 198 - 254 /50
Motor type	RSCR*
Max. ambient temperature	°C 38
Comp. cooling at ambient temp.	32°C S
	38°C S

\* run capacitor 4 µF compulsory

#### Design

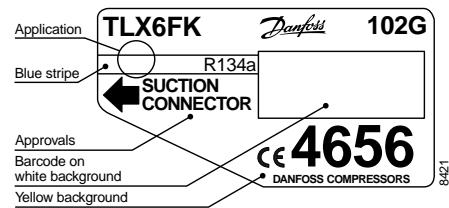
Displacement	cm <sup>3</sup>	5.70
Oil quantity	cm <sup>3</sup>	180
Maximum refrigerant charge	g	400
Free gas vol. in compressor	cm <sup>3</sup>	1790
Weight without electrical equipment	kg	8.2

#### Motor

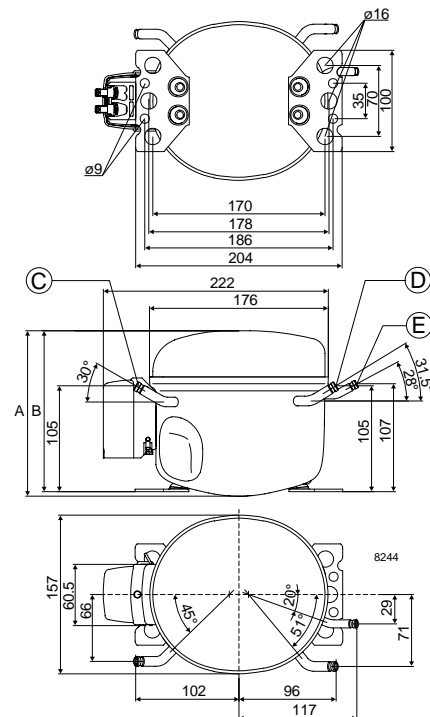
Motor size	watt	117
LRA (rated after 4 sec. UL984) LST	A	3.6
Cut-in current LST	A	8.4
Resistance, main and start winding (25°C)	Ω	19.0/13.0
Approvals	EN 60335-2-34 with Annex AA	

#### Dimensions

Height	mm	A	173
		B	169
Suction connector	location/I.D. mm	C	6.2 ±0.09
Process connector	location/I.D. mm	D	6.2 ±0.09
Discharge connector	location/I.D. mm	E	5.0 +0.12/+0.20
Compressors on a pallet	pcs.		125



- S = Static cooling normally sufficient
- O = Oil cooling
- F<sub>1</sub> = Fan cooling 1.5 m/s  
(compressor compartment temperature equal to ambient temperature)
- F<sub>2</sub> = Fan cooling 3.0 m/s necessary



**Capacity (EN 12900/CECOMAF) watt**

Comp. °C	-35	-30	-25	-23.3	-20	-15	-10
TLX6FK	59.5	84.9	115	126	151	193	243

**Capacity (ASHRAE) watt**

Comp. °C	-35	-30	-25	-23.3	-20	-15	-10
TLX6FK	73.4	105	142	156	186	238	300

**Power consumption watt**

Comp. °C	-35	-30	-25	-23.3	-20	-15	-10
TLX6FK	71.9	87.1	103	108	119	136	156

**Current consumption A**

Comp. °C	-35	-30	-25	-23.3	-20	-15	-10
TLX6FK	0.35	0.42	0.49	0.51	0.57	0.65	0.75

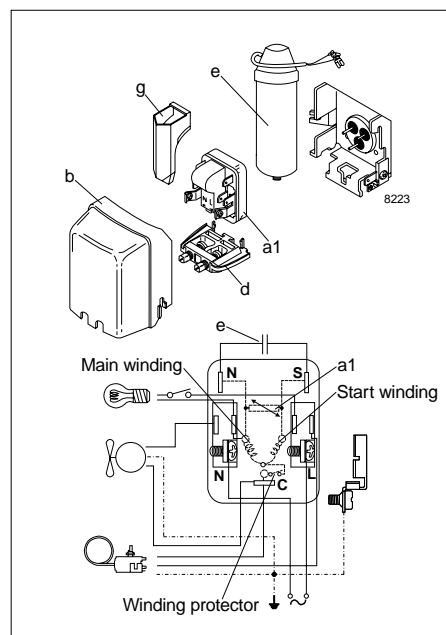
**COP (EN 12900/CECOMAF) W/W**

Comp. °C	-35	-30	-25	-23.3	-20	-15	-10
TLX6FK	0.83	0.97	1.12	1.17	1.27	1.41	1.56

**COP (ASHRAE) W/W**

Comp. °C	-35	-30	-25	-23.3	-20	-15	-10
TLX6FK	1.02	1.20	1.38	1.45	1.57	1.75	1.93

Test conditions                      EN 12900/CECOMAF              ASHRAE  
 Condensing temperature            55°C                                      55°C  
 Ambient and suction gas temp.      32°C  
 Liquid temperature                    55°C                                      32°C  
 Static cooling, with RC 4 µF, 220V 50Hz,  
 PTC consumption incl.



**Accessories**

Devices	Fig.	TLX6FK
PTC starting device	a1	103N0016
6.3 mm spades 4.8 mm spades		103N0021
Cover	b	103N2010
Cord relief	d	103N1010
Run capacitor 4 µF (compulsory)	e	117-7117
6.3 mm spades 4.8 mm spades		117-7119
Protection screen for PTC	g	103N0476
Mounting accessories		
Bolt joint for one compressor		118-1917
Bolt joint in quantities		118-1918
Snap-on in quantities		118-1919

# NLY5.5FK

## High Energy-optimized Compressor

### R134a

### 220-240V 50Hz

Data Sheet (Replaces CG.43.R3.02)

#### General

Compressor	NLY5.5FK
Code number	105G6631

#### Application

Application	LBP
Evaporating temperature range	°C -35 to -10
Voltage range	V/Hz 198 - 254 /50
Motor type	RSCR*
Max. ambient temperature	°C 43
Comp. cooling at ambient temp.	32°C S
	38°C S
	43°C S

\* run capacitor 4  $\mu$ F compulsory

#### Design

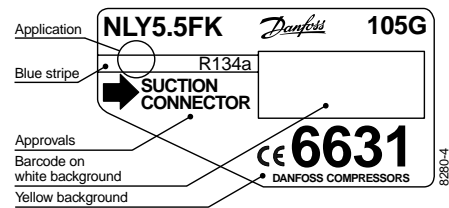
Displacement	cm <sup>3</sup>	6.13
Oil quantity	cm <sup>3</sup>	290
Maximum refrigerant charge	g	400
Free gas vol. in compressor	cm <sup>3</sup>	2310
Weight without electrical equipment	kg	10.8

#### Motor

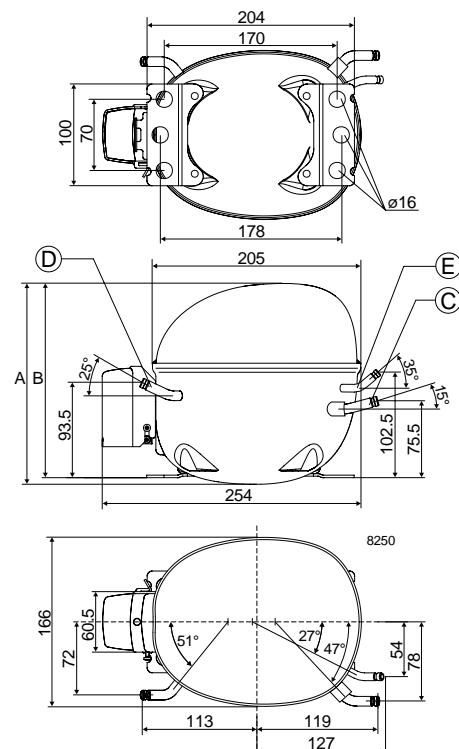
Motor size	watt	135
LRA (rated after 4 sec. UL984) LST	A	4.3
Cut-in current LST	A	8.3
Resistance, main and start winding (25°C)	$\Omega$	16.0/15.1
Approvals		EN 60335-2-34 with Annex AA

#### Dimensions

Height	mm	A	203
		B	197
Suction connector	location/l.D. mm	C	6.2 $\pm$ 0.09
Process connector	location/l.D. mm	D	6.2 $\pm$ 0.09
Discharge connector	location/l.D. mm	E	5.0 +0.12/+0.20
Compressors on a pallet	pcs.		80



- S = Static cooling normally sufficient
- O = Oil cooling
- F<sub>1</sub> = Fan cooling 1.5 m/s  
(compressor compartment temperature equal to ambient temperature)
- F<sub>2</sub> = Fan cooling 3.0 m/s necessary



**Capacity (EN 12900/CECOMAF)**
**watt**

Comp. °C	-35	-30	-25	-23.3	-20	-15	-10
NLY5.5FK	57.8	87.3	123	137	166	218	280

**Capacity (ASHRAE)**
**watt**

Comp. °C	-35	-30	-25	-23.3	-20	-15	-10
NLY5.5FK	71.2	108	152	169	205	269	346

**Power consumption**
**watt**

Comp. °C	-35	-30	-25	-23.3	-20	-15	-10
NLY5.5FK	72.9	87.7	104	110	121	140	160

**Current consumption**
**A**

Comp. °C	-35	-30	-25	-23.3	-20	-15	-10
NLY5.5FK	0.33	0.41	0.48	0.51	0.56	0.65	0.73

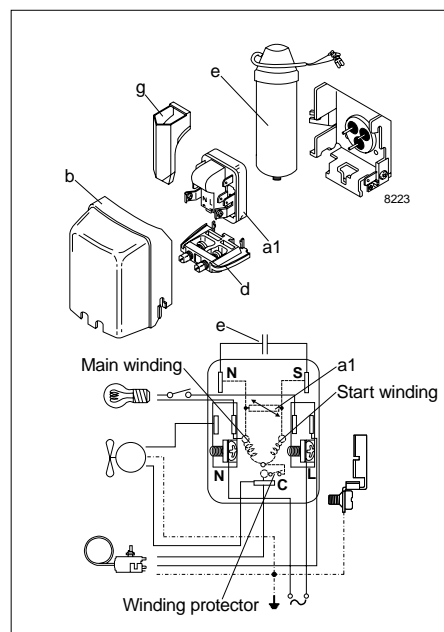
**COP (EN 12900/CECOMAF)**
**W/W**

Comp. °C	-35	-30	-25	-23.3	-20	-15	-10
NLY5.5FK	0.79	0.99	1.18	1.25	1.37	1.56	1.75

**COP (ASHRAE)**
**W/W**

Comp. °C	-35	-30	-25	-23.3	-20	-15	-10
NLY5.5FK	0.98	1.23	1.46	1.54	1.69	1.92	2.16

Test conditions	EN 12900/CECOMAF	ASHRAE
Condensing temperature	55°C	55°C
Ambient and suction gas temp.	32°C	32°C
Liquid temperature	55°C	32°C
Static cooling, with RC 4 µF, 220V 50Hz, PTC consumption incl.		


**Accessories**

Devices	Fig.	NLY5.5FK
PTC starting device 6.3 mm spades 4.8 mm spades	a1	103N0016 103N0021
Cover	b	103N2010
Cord relief	d	103N1010
Run capacitor 4 µF (compulsory) 6.3 mm spades 4.8 mm spades	e	117-7117 117-7119
Protection screen for PTC	g	103N0476
Mounting accessories Bolt joint for one compressor Bolt joint in quantities Snap-on in quantities		118-1917 118-1918 118-1919





**Capacity (EN 12900/CECOMAF)**
**watt**

Comp. °C	-35	-30	-25	-23.3	-20	-15	-10
NLY6F	80	104	138	152	182	235	299

**Capacity (ASHRAE)**
**watt**

Comp. °C	-35	-30	-25	-23.3	-20	-15	-10
NLY6F	98	128	170	187	224	290	369

**Power consumption**
**watt**

Comp. °C	-35	-30	-25	-23.3	-20	-15	-10
NLY6F	81	99	118	125	138	159	181

**Current consumption**
**A**

Comp. °C	-35	-30	-25	-23.3	-20	-15	-10
NLY6F	0.38	0.47	0.54	0.57	0.63	0.72	0.81

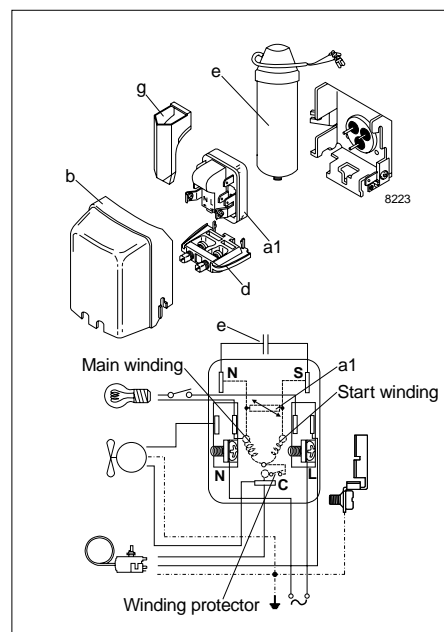
**COP (EN 12900/CECOMAF)**
**W/W**

Comp. °C	-35	-30	-25	-23.3	-20	-15	-10
NLY6F	0.99	1.05	1.17	1.22	1.32	1.48	1.65

**COP (ASHRAE)**
**W/W**

Comp. °C	-35	-30	-25	-23.3	-20	-15	-10
NLY6F	1.21	1.30	1.44	1.50	1.62	1.82	2.04

Test conditions	EN 12900/CECOMAF	ASHRAE
Condensing temperature	55°C	55°C
Ambient and suction gas temp.	32°C	32°C
Liquid temperature	55°C	32°C
Static cooling, with RC 4 µF, 220V 50Hz, PTC consumption incl.		


**Accessories**

Devices	Fig.	NLY6F
PTC starting device 6.3 mm spades 4.8 mm spades	a1	103N0016 103N0021
Cover	b	103N2010
Cord relief	d	103N1010
Run capacitor 4 µF (compulsory) 6.3 mm spades 4.8 mm spades	e	117-7117 117-7119
Protection screen for PTC	g	103N0476
Mounting accessories Bolt joint for one compressor Bolt joint in quantities Snap-on in quantities		118-1917 118-1918 118-1919



**Capacity (EN 12900/CECOMAF)**
**watt**

Comp. °C	-35	-30	-25	-23.3	-20	-15	-10
NLY7F	94	121	158	173	206	265	334

**Capacity (ASHRAE)**
**watt**

Comp. °C	-35	-30	-25	-23.3	-20	-15	-10
NLY7F	116	149	195	213	254	326	412

**Power consumption**
**watt**

Comp. °C	-35	-30	-25	-23.3	-20	-15	-10
NLY7F	103	117	134	140	153	175	200

**Current consumption**
**A**

Comp. °C	-35	-30	-25	-23.3	-20	-15	-10
NLY7F	0.47	0.54	0.62	0.65	0.70	0.80	0.90

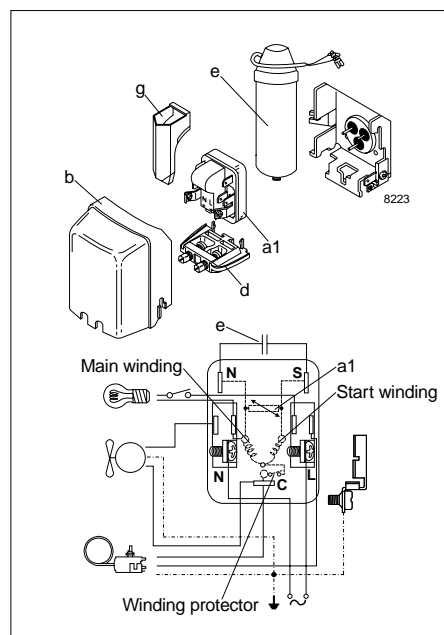
**COP (EN 12900/CECOMAF)**
**W/W**

Comp. °C	-35	-30	-25	-23.3	-20	-15	-10
NLY7F	0.91	1.03	1.18	1.24	1.35	1.51	1.67

**COP (ASHRAE)**
**W/W**

Comp. °C	-35	-30	-25	-23.3	-20	-15	-10
NLY7F	1.12	1.27	1.45	1.52	1.66	1.86	2.06

Test conditions	EN 12900/CECOMAF	ASHRAE
Condensing temperature	55°C	55°C
Ambient and suction gas temp.	32°C	32°C
Liquid temperature	55°C	32°C
Static cooling, with RC 4 µF, 220V 50Hz, PTC consumption incl.		


**Accessories**

Devices	Fig.	NLY7F
PTC starting device 6.3 mm spades 4.8 mm spades	a1	103N0016 103N0021
Cover	b	103N2010
Cord relief	d	103N1010
Run capacitor 4 µF (compulsory) 6.3 mm spades 4.8 mm spades	e	117-7117 117-7119
Protection screen for PTC	g	103N0476
Mounting accessories		
Bolt joint for one compressor		118-1917
Bolt joint in quantities		118-1918
Snap-on in quantities		118-1919

# NLY9FK

## High Energy-optimized Compressor

### R134a

### 220-240V 50Hz

Data Sheet (Replaces CG.43.Q1.02)

#### General

Compressor	NLY9FK
Code number	105G6830

#### Application

Application	LBP
Evaporating temperature range	°C -35 to -10
Voltage range	V/Hz 198 - 254 /50
Motor type	RSCR*
Max. ambient temperature	°C 43
Comp. cooling at ambient temp.	32°C S
	38°C S
	43°C S

\* run capacitor 4 µF compulsory

#### Design

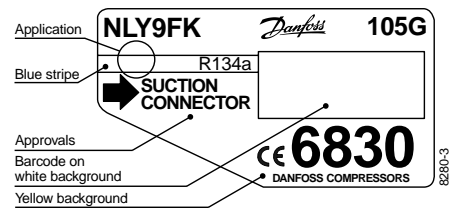
Displacement	cm <sup>3</sup>	8.35
Oil quantity	cm <sup>3</sup>	290
Maximum refrigerant charge	g	400
Free gas vol. in compressor	cm <sup>3</sup>	2310
Weight without electrical equipment	kg	10.8

#### Motor

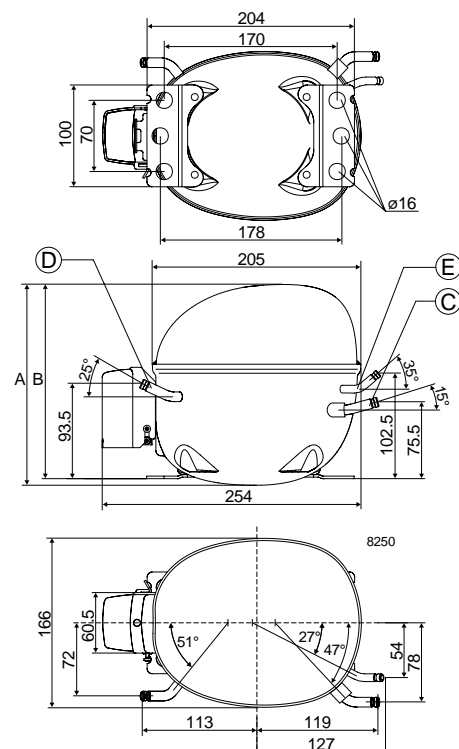
Motor size	watt	190
LRA (rated after 4 sec. UL984) LST	A	6.1
Cut-in current LST	A	11.3
Resistance, main and start winding (25°C)	Ω	11.0/9.0
Approvals		EN 60335-2-34 with Annex AA

#### Dimensions

Height	mm	A	203
		B	197
Suction connector	location/l.D. mm	C	8.2 ±0.09
Process connector	location/l.D. mm	D	6.2 ±0.09
Discharge connector	location/l.D. mm	E	6.2 ±0.09
Compressors on a pallet	pcs.		80



- S = Static cooling normally sufficient
- O = Oil cooling
- F<sub>1</sub> = Fan cooling 1.5 m/s  
(compressor compartment temperature equal to ambient temperature)
- F<sub>2</sub> = Fan cooling 3.0 m/s necessary



**Capacity (EN 12900/CECOMAF)**

Comp. °C	-35	-30	-25	-23.3	-20	-15	-10
NLY9FK	94	130	175	192	230	297	380

**watt**
**Capacity (ASHRAE)**

Comp. °C	-35	-30	-25	-23.3	-20	-15	-10
NLY9FK	116	161	216	237	284	367	469

**watt**
**Power consumption**

Comp. °C	-35	-30	-25	-23.3	-20	-15	-10
NLY9FK	108	129	151	160	176	203	232

**watt**
**Current consumption**

Comp. °C	-35	-30	-25	-23.3	-20	-15	-10
NLY9FK	0.58	0.68	0.79	0.82	0.90	1.03	1.16

**A**
**COP (EN 12900/CECOMAF)**

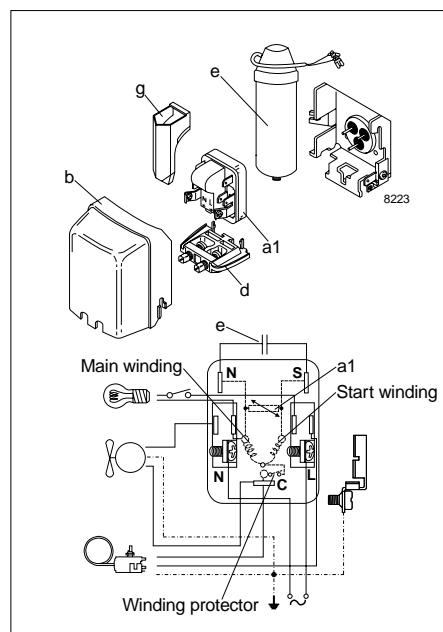
Comp. °C	-35	-30	-25	-23.3	-20	-15	-10
NLY9FK	0.87	1.01	1.15	1.20	1.30	1.46	1.63

**W/W**
**COP (ASHRAE)**

Comp. °C	-35	-30	-25	-23.3	-20	-15	-10
NLY9FK	1.08	1.25	1.42	1.49	1.61	1.81	2.02

**W/W**

Test conditions	EN 12900/CECOMAF	ASHRAE
Condensing temperature	55°C	55°C
Ambient and suction gas temp.	32°C	32°C
Liquid temperature	55°C	32°C
Static cooling, with RC 4 µF, 220V 50Hz, PTC consumption incl.		


**Accessories**

Devices	Fig.	NLY9FK
PTC starting device 6.3 mm spades 4.8 mm spades	a1	103N0016 103N0021
Cover	b	103N2010
Cord relief	d	103N1010
Run capacitor 4 µF (compulsory) 6.3 mm spades 4.8 mm spades	e	117-7117 117-7119
Protection screen for PTC	g	103N0476
Mounting accessories		
Bolt joint for one compressor		118-1917
Bolt joint in quantities		118-1918
Snap-on in quantities		118-1919

# NLY5.5FK.2

## High Energy-optimized Compressor

### R134a

### 220-240V 50Hz

#### Data Sheet

#### General

Compressor	<b>NLY5.5FK.2</b>
Code number	105G6634

#### Application

Application		LBP
Evaporating temperature range	°C	-35 to -10
Voltage range	V/Hz	198 - 254 /50
Motor type		RSCR*
Max. ambient temperature	°C	43
Comp. cooling at ambient temp.	32°C	S
	38°C	S
	43°C	S

\* run capacitor 4 µF compulsory

#### Design

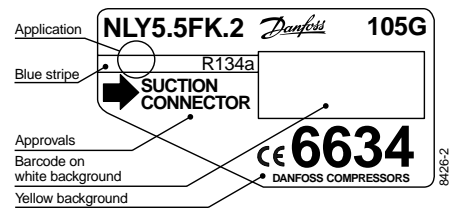
Displacement	cm <sup>3</sup>	6.13
Oil quantity	cm <sup>3</sup>	290
Maximum refrigerant charge	g	400
Free gas vol. in compressor	cm <sup>3</sup>	2310
Weight without electrical equipment	kg	10.8

#### Motor

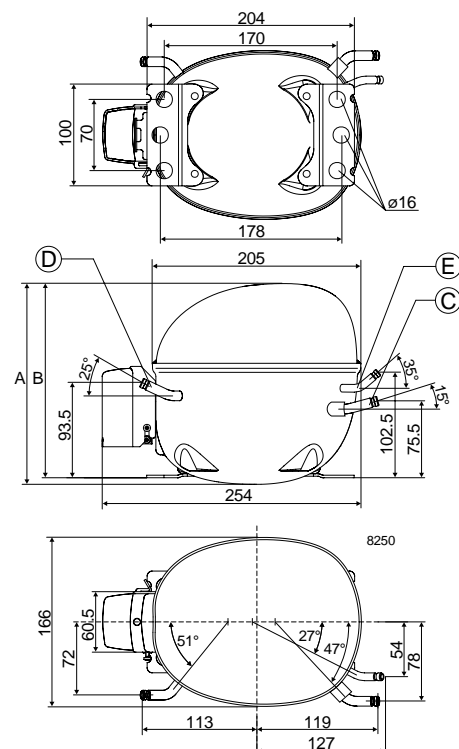
Motor size	watt	135
LRA (rated after 4 sec. UL984) LST	A	4.3
Cut-in current LST	A	8.3
Resistance, main and start winding (25°C)	Ω	16.0/15.1
Approvals		EN 60335-2-34 with Annex AA

#### Dimensions

Height	mm	A	203
		B	197
Suction connector	location/I.D. mm	C	8.2 ±0.09
Process connector	location/I.D. mm	D	6.2 ±0.09
Discharge connector	location/I.D. mm	E	6.2 ±0.09
Compressors on a pallet	pcs.		80



- S = Static cooling normally sufficient
- O = Oil cooling
- F<sub>1</sub> = Fan cooling 1.5 m/s  
(compressor compartment temperature equal to ambient temperature)
- F<sub>2</sub> = Fan cooling 3.0 m/s necessary



**Capacity (EN 12900/CECOMAF)**
**watt**

Comp. °C	-35	-30	-25	-23.3	-20	-15	-10
NLY5.5FK.2			130	142			

**Capacity (ASHRAE)**
**watt**

Comp. °C	-35	-30	-25	-23.3	-20	-15	-10
NLY5.5FK.2			160	175			

**Power consumption**
**watt**

Comp. °C	-35	-30	-25	-23.3	-20	-15	-10
NLY5.5FK.2			106	110			

**Current consumption**
**A**

Comp. °C	-35	-30	-25	-23.3	-20	-15	-10
NLY5.5FK.2			0.48	0.51			

**COP (EN 12900/CECOMAF)**
**W/W**

Comp. °C	-35	-30	-25	-23.3	-20	-15	-10
NLY5.5FK.2			1.23	1.29			

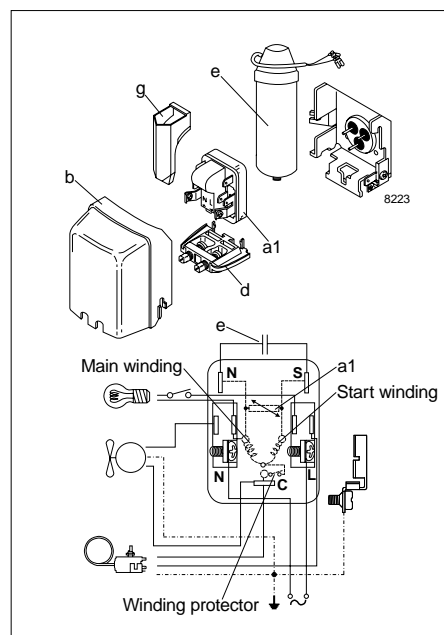
**COP (ASHRAE)**
**W/W**

Comp. °C	-35	-30	-25	-23.3	-20	-15	-10
NLY5.5FK.2			1.52	1.58			

Test conditions	EN 12900/CECOMAF	ASHRAE
Condensing temperature	55°C	55°C
Ambient and suction gas temp.	32°C	32°C
Liquid temperature	55°C	32°C
Static cooling, with RC 4 µF, 220V 50Hz,		
PTC consumption incl.,		
preliminary data		

**Accessories**

Devices	Fig.	NLY5.5FK.2
PTC starting device	6.3 mm spades	103N0016
	4.8 mm spades	103N0021
Cover	b	103N2010
Cord relief	d	103N1010
Run capacitor 4 µF (compulsory)	6.3 mm spades	117-7117
	4.8 mm spades	117-7119
Protection screen for PTC	g	103N0476
Mounting accessories		
Bolt joint for one compressor		118-1917
Bolt joint in quantities		118-1918
Snap-on in quantities		118-1919





# NLY6FK.2

## High Energy-optimized Compressor

### R134a

### 220-240V 50Hz

#### Data Sheet

#### General

Compressor	<b>NLY6FK.2</b>
Code number	105G6636

#### Application

Application		LBP
Evaporating temperature range	°C	-35 to -10
Voltage range	V/Hz	198 - 254 /50
Motor type		RSCR*
Max. ambient temperature	°C	43
Comp. cooling at ambient temp.	32°C	S
	38°C	S
	43°C	S

\* run capacitor 4 µF compulsory

#### Design

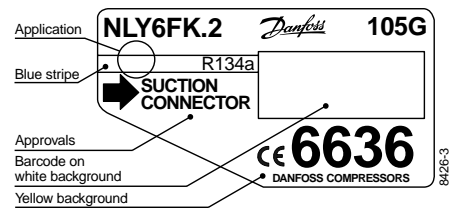
Displacement	cm <sup>3</sup>	6.70
Oil quantity	cm <sup>3</sup>	290
Maximum refrigerant charge	g	400
Free gas vol. in compressor	cm <sup>3</sup>	2310
Weight without electrical equipment	kg	10.8

#### Motor

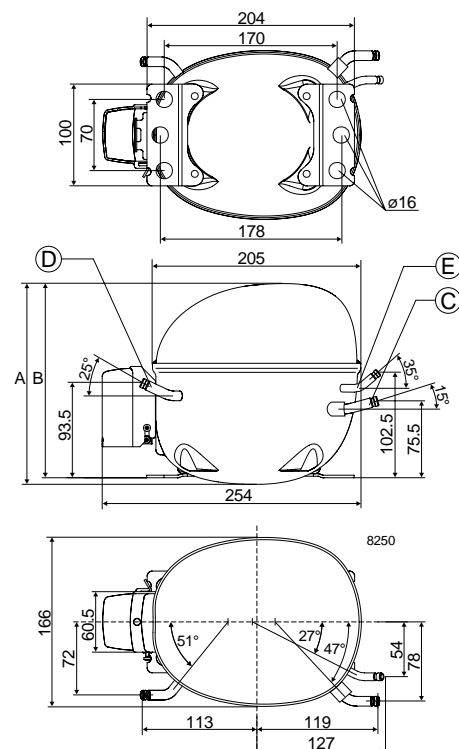
Motor size	watt	135
LRA (rated after 4 sec. UL984) LST	A	4.3
Cut-in current LST	A	8.3
Resistance, main and start winding (25°C)	Ω	16.0/15.1
Approvals		EN 60335-2-34 with Annex AA

#### Dimensions

Height	mm	A	203
		B	197
Suction connector	location/I.D. mm	C	8.2 ±0.09
Process connector	location/I.D. mm	D	6.2 ±0.09
Discharge connector	location/I.D. mm	E	6.2 ±0.09
Compressors on a pallet	pcs.		80



- S = Static cooling normally sufficient
- O = Oil cooling
- F<sub>1</sub> = Fan cooling 1.5 m/s  
(compressor compartment temperature equal to ambient temperature)
- F<sub>2</sub> = Fan cooling 3.0 m/s necessary



**Capacity (EN 12900/CECOMAF)**
**watt**

Comp. °C	-35	-30	-25	-23.3	-20	-15	-10
NLY6FK.2			140	154			

**Capacity (ASHRAE)**
**watt**

Comp. °C	-35	-30	-25	-23.3	-20	-15	-10
NLY6FK.2			172	190			

**Power consumption**
**watt**

Comp. °C	-35	-30	-25	-23.3	-20	-15	-10
NLY6FK.2			115	121			

**Current consumption**
**A**

Comp. °C	-35	-30	-25	-23.3	-20	-15	-10
NLY6FK.2			0.54	0.57			

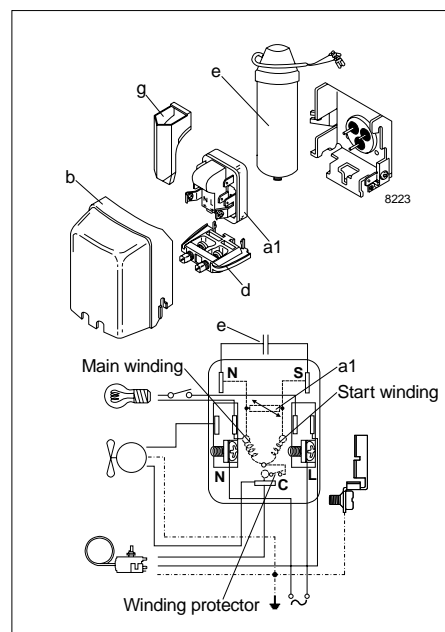
**COP (EN 12900/CECOMAF)**
**W/W**

Comp. °C	-35	-30	-25	-23.3	-20	-15	-10
NLY6FK.2			1.22	1.27			

**COP (ASHRAE)**
**W/W**

Comp. °C	-35	-30	-25	-23.3	-20	-15	-10
NLY6FK.2			1.50	1.56			

Test conditions                      EN 12900/CECOMAF                      ASHRAE  
 Condensing temperature            55°C    55°C  
 Ambient and suction gas temp.      32°C    32°C  
 Liquid temperature                    55°C    32°C  
 Static cooling, with RC 4 µF, 220V 50Hz,  
 PTC consumption incl.,  
 preliminary data


**Accessories**

Devices	Fig.	NLY6FK.2
PTC starting device 6.3 mm spades 4.8 mm spades	a1	103N0016 103N0021
Cover	b	103N2010
Cord relief	d	103N1010
Run capacitor 4 µF (compulsory) 6.3 mm spades 4.8 mm spades	e	117-7117 117-7119
Protection screen for PTC	g	103N0476
Mounting accessories Bolt joint for one compressor Bolt joint in quantities Snap-on in quantities		118-1917 118-1918 118-1919

# NLY7FK.2

## High Energy-optimized Compressor

### R134a

### 220-240V 50Hz

#### Data Sheet

#### General

Compressor	NLY7FK.2
Code number	105G6734

#### Application

Application	LBP
Evaporating temperature range	°C -35 to -10
Voltage range	V/Hz 198 - 254 /50
Motor type	RSCR*
Max. ambient temperature	°C 43
Comp. cooling at ambient temp.	32°C S
	38°C S
	43°C S

\* run capacitor 4 µF compulsory

#### Design

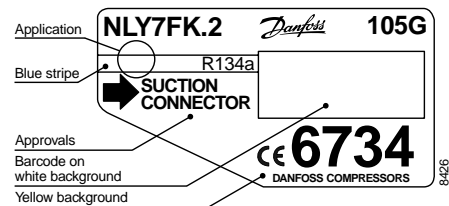
Displacement	cm <sup>3</sup>	7.27
Oil quantity	cm <sup>3</sup>	290
Maximum refrigerant charge	g	400
Free gas vol. in compressor	cm <sup>3</sup>	2310
Weight without electrical equipment	kg	10.8

#### Motor

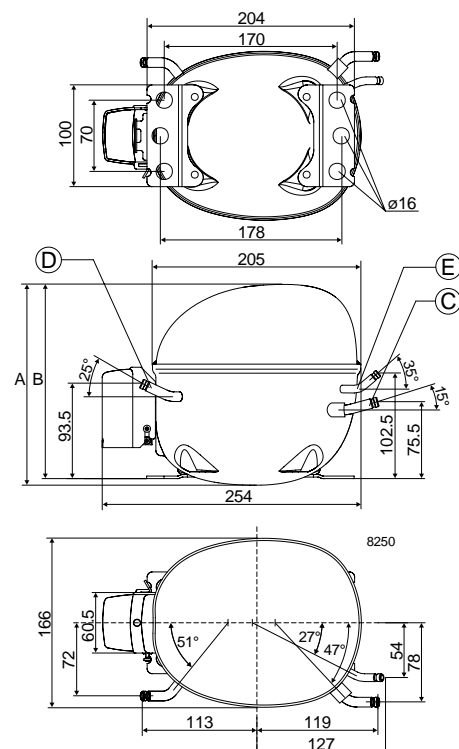
Motor size	watt	150
LRA (rated after 4 sec. UL984) LST	A	4.9
Cut-in current LST	A	9.2
Resistance, main and start winding (25°C)	Ω	14.3/12.9
Approvals	EN 60335-2-34 with Annex AA	

#### Dimensions

Height	mm	A	203
		B	197
Suction connector	location/I.D. mm	C	8.2 ±0.09
Process connector	location/I.D. mm	D	6.2 ±0.09
Discharge connector	location/I.D. mm	E	6.2 ±0.09
Compressors on a pallet	pcs.		80



- S = Static cooling normally sufficient
- O = Oil cooling
- F<sub>1</sub> = Fan cooling 1.5 m/s  
(compressor compartment temperature equal to ambient temperature)
- F<sub>2</sub> = Fan cooling 3.0 m/s necessary



**Capacity (EN 12900/CECOMAF)**
**watt**

Comp.°C	-35	-30	-25	-23.3	-20	-15	-10
NLY7FK.2	81.8	118	160	176	209	266	334

**Capacity (ASHRAE)**
**watt**

Comp.°C	-35	-30	-25	-23.3	-20	-15	-10
NLY7FK.2	101	146	197	217	258	329	413

**Power consumption**
**watt**

Comp.°C	-35	-30	-25	-23.3	-20	-15	-10
NLY7FK.2	92.1	109	128	135	149	172	195

**Current consumption**
**A**

Comp.°C	-35	-30	-25	-23.3	-20	-15	-10
NLY7FK.2	0.45	0.53	0.62	0.66	0.72	0.82	0.93

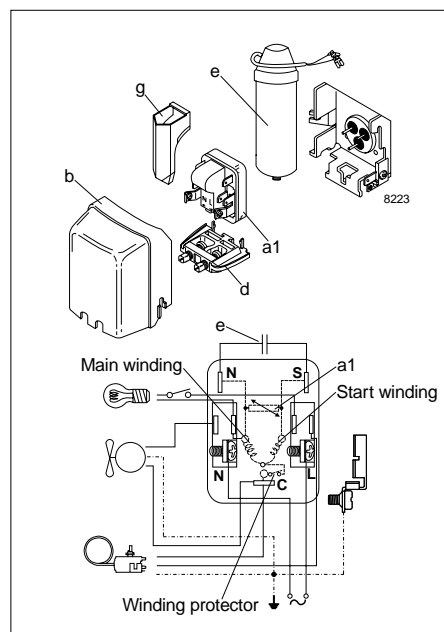
**COP (EN 12900/CECOMAF)**
**W/W**

Comp.°C	-35	-30	-25	-23.3	-20	-15	-10
NLY7FK.2	0.89	1.09	1.25	1.30	1.40	1.55	1.71

**COP (ASHRAE)**
**W/W**

Comp.°C	-35	-30	-25	-23.3	-20	-15	-10
NLY7FK.2	1.09	1.34	1.54	1.61	1.73	1.92	2.12

Test conditions	EN 12900/CECOMAF	ASHRAE
Condensing temperature	55°C	55°C
Ambient and suction gas temp.	32°C	32°C
Liquid temperature	55°C	32°C
Static cooling, with RC 4 µF, 220V 50Hz, PTC consumption incl.		


**Accessories**

Devices	Fig.	NLY7FK.2
PTC starting device	a1	103N0016
6.3 mm spades 4.8 mm spades		103N0021
Cover	b	103N2010
Cord relief	d	103N1010
Run capacitor 4 µF (compulsory)	e	117-7117
6.3 mm spades 4.8 mm spades		117-7119
Protection screen for PTC	g	103N0476
Mounting accessories		
Bolt joint for one compressor		118-1917
Bolt joint in quantities		118-1918
Snap-on in quantities		118-1919

# NLY9FK.2

## High Energy-optimized Compressor

### R134a

### 220-240V 50Hz

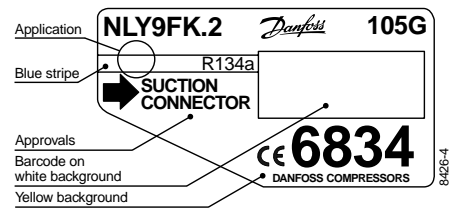
#### Data Sheet

#### General

Compressor	<b>NLY9FK.2</b>
Code number	105G6834

#### Application

Application		LBP
Evaporating temperature range	°C	-35 to -10
Voltage range	V/Hz	198 - 254 /50
Motor type		RSCR*
Max. ambient temperature	°C	43
Comp. cooling at ambient temp.	32°C	S
	38°C	S
	43°C	S



- S = Static cooling normally sufficient
- O = Oil cooling
- F<sub>1</sub> = Fan cooling 1.5 m/s  
(compressor compartment temperature equal to ambient temperature)
- F<sub>2</sub> = Fan cooling 3.0 m/s necessary

\* run capacitor 4 μF compulsory

#### Design

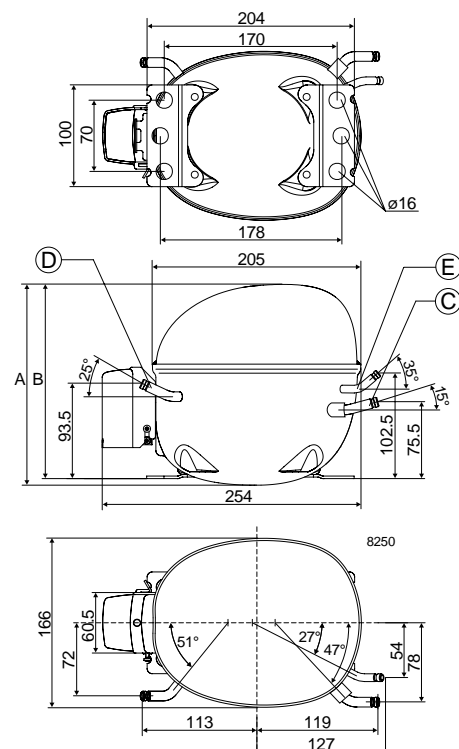
Displacement	cm <sup>3</sup>	8.35
Oil quantity	cm <sup>3</sup>	290
Maximum refrigerant charge	g	400
Free gas vol. in compressor	cm <sup>3</sup>	2310
Weight without electrical equipment	kg	10.8

#### Motor

Motor size	watt	190
LRA (rated after 4 sec. UL984) LST	A	6.1
Cut-in current LST	A	11.3
Resistance, main and start winding (25°C)	Ω	11.0/9.0
Approvals		EN 60335-2-34 with Annex AA

#### Dimensions

Height	mm	A	203
		B	197
Suction connector	location/l.D. mm	C	8.2 ±0.09
Process connector	location/l.D. mm	D	6.2 ±0.09
Discharge connector	location/l.D. mm	E	6.2 ±0.09
Compressors on a pallet	pcs.		80



**Capacity (EN 12900/CECOMAF) watt**

Comp. °C	-35	-30	-25	-23.3	-20	-15	-10
NLY9FK.2			180	198			

**Capacity (ASHRAE) watt**

Comp. °C	-35	-30	-25	-23.3	-20	-15	-10
NLY9FK.2			222	245			

**Power consumption watt**

Comp. °C	-35	-30	-25	-23.3	-20	-15	-10
NLY9FK.2			145	153			

**Current consumption A**

Comp. °C	-35	-30	-25	-23.3	-20	-15	-10
NLY9FK.2			0.77	0.82			

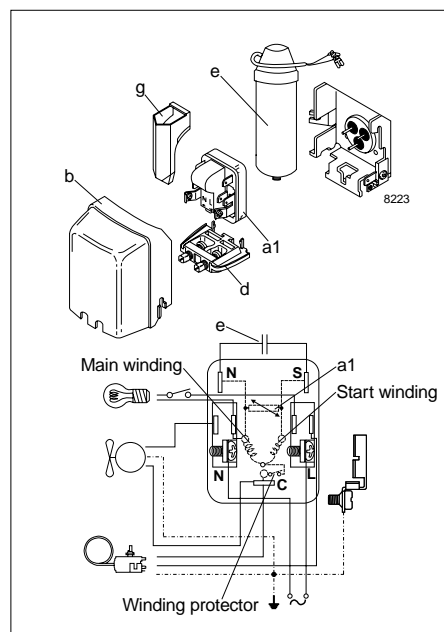
**COP (EN 12900/CECOMAF) W/W**

Comp. °C	-35	-30	-25	-23.3	-20	-15	-10
NLY9FK.2			1.24	1.29			

**COP (ASHRAE) W/W**

Comp. °C	-35	-30	-25	-23.3	-20	-15	-10
NLY9FK.2			1.53	1.60			

Test conditions EN 12900/CECOMAF ASHRAE  
 Condensing temperature 55°C 55°C  
 Ambient and suction gas temp. 32°C 32°C  
 Liquid temperature 55°C 32°C  
 Static cooling, with RC 4 µF, 220V 50Hz,  
 PTC consumption incl.,  
 preliminary data



**Accessories**

Devices	Fig.	NLY9FK.2
PTC starting device 6.3 mm spades 4.8 mm spades	a1	103N0016 103N0021
Cover	b	103N2010
Cord relief	d	103N1010
Run capacitor 4 µF (compulsory) 6.3 mm spades 4.8 mm spades	e	117-7117 117-7119
Protection screen for PTC	g	103N0476
Mounting accessories Bolt joint for one compressor Bolt joint in quantities Snap-on in quantities		118-1917 118-1918 118-1919

# TLV5F

## Variable Speed Drive Compressor

### R134a

### 220-240V 50-60Hz

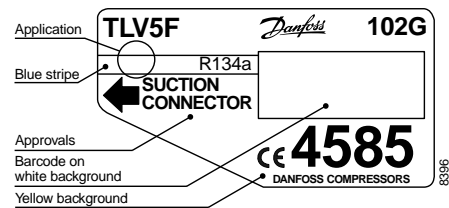
Data Sheet (Replaces CG.42.K3.02)

#### General

Compressor	TLV5F
Code number: Comp. without electronic unit	102G4585
Code number: Electronic unit	105N4001

#### Application

Application	LBP
Evaporating temperature range	°C -35 to -10
Voltage range	V/Hz 198 - 254 /50 - 60
Starting characteristics	HST
Max. ambient temperature	°C 43
Comp. cooling at ambient temp.	32°C S
	38°C S
	43°C S



- S = Static cooling normally sufficient
- O = Oil cooling
- F<sub>1</sub> = Fan cooling 1.5 m/s  
(compressor compartment temperature equal to ambient temperature)
- F<sub>2</sub> = Fan cooling 3.0 m/s necessary

#### Features

Speed range	rpm	2000 - 4000
Control modes with integrated speed control AEO*)		- mech. thermostat 220V ON/OFF - 5V DC ON/OFF
External speed control		- 5V DC 200-400Hz
Protections		- current - speed - temperature

\*)AEO - Adaptive Energy Optimizer

#### Design

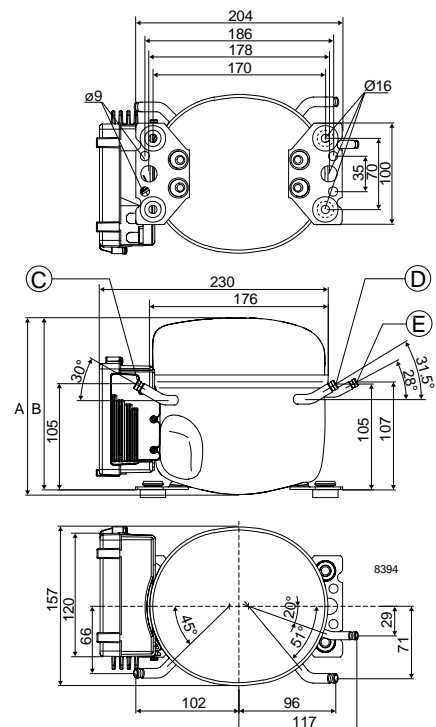
Displacement	cm <sup>3</sup>	5.08
Oil quantity	cm <sup>3</sup>	180
Maximum refrigerant charge	g	400
Free gas vol. in compressor	cm <sup>3</sup>	1790
Weight: Compressor/Electronic unit	kg	7.9/0.6

#### Motor

Motor type	permanent magnet
LRA (rated after 4 sec. UL984) HST	A electronic cut-off
Cut-in current HST	A 6
Resistance, all 3 windings (25°C)	Ω 14.0
Approvals	EN 60335-2-34 with Annex AA

#### Dimensions

Height	mm	A	173
		B	169
Suction connector	location/I.D. mm	C	6.2 ±0.09
Process connector	location/I.D. mm	D	6.2 ±0.09
Discharge connector	location/I.D. mm	E	5.0 +0.12/+0.20
Compressors on a pallet (without el. unit)	pcs.		125



**Capacity (EN 12900/CECOMAF)**

rpm \ °C	-35	-30	-25	-23.3	-20	-15	-10
2,000	38.3	52.1	70.1	77.3	92.9	121	155
2,500	46.8	63.6	85.7	95	114	149	191
3,000	53.3	73.6	100	110	133	174	224
4,000	62.6	92.5	129	142	172	224	287

**watt**
**Capacity (ASHRAE)**

rpm \ °C	-35	-30	-25	-23.3	-20	-15	-10
2,000	47.2	64.2	86.5	95	115	150	192
2,500	57.6	78.4	106	117	141	184	236
3,000	65.6	90.8	123	136	164	215	276
4,000	77.2	114	159	176	212	277	354

**watt**
**Power consumption**

rpm \ °C	-35	-30	-25	-23.3	-20	-15	-10
2,000	41.9	51.8	62.1	65.7	72.8	84.1	96
2,500	52.0	64.4	77.1	81.5	90.3	104	119
3,000	62.2	77.2	92.4	98	108	125	144
4,000	82.9	103	124	131	146	169	194

**watt**
**Current consumption**

rpm \ °C	-35	-30	-25	-23.3	-20	-15	-10
2,000	0.88	1.04	1.21	1.26	1.37	1.54	1.72
2,500	0.91	1.06	1.23	1.29	1.40	1.59	1.78
3,000	0.92	1.07	1.24	1.30	1.41	1.60	1.80
4,000	0.87	1.05	1.22	1.27	1.38	1.53	1.68

**A**
**COP (EN 12900/CECOMAF)**

rpm \ °C	-35	-30	-25	-23.3	-20	-15	-10
2,000	0.91	1.01	1.13	1.18	1.28	1.44	1.62
2,500	0.90	0.99	1.11	1.16	1.26	1.43	1.60
3,000	0.86	0.95	1.08	1.13	1.23	1.39	1.56
4,000	0.76	0.89	1.04	1.09	1.18	1.33	1.48

**W/W**
**COP (ASHRAE)**

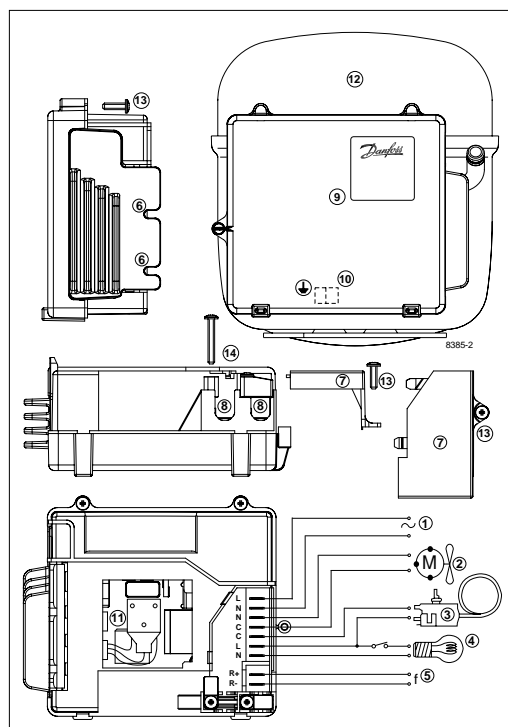
rpm \ °C	-35	-30	-25	-23.3	-20	-15	-10
2,000	1.13	1.24	1.39	1.45	1.57	1.78	2.00
2,500	1.11	1.22	1.37	1.43	1.56	1.76	1.98
3,000	1.06	1.18	1.33	1.39	1.52	1.72	1.92
4,000	0.93	1.10	1.28	1.34	1.46	1.64	1.82

**W/W**

Test conditions	EN 12900/CECOMAF	ASHRAE
Condensing temperature	55°C	55°C
Ambient and suction gas temp.	32°C	32°C
Liquid temperature	55°C	32°C
Static cooling, 220V 50Hz		

**Accessories**

Devices	TLV5F
Mounting accessories	
Bolt joint for one compressor	118-1917
Bolt joint in quantities	118-1918
Snap-on in quantities	118-1919


**Legend**

Number Description

- 1: Power supply
- 2: Fan connection
- 3: Thermostat connection
- 4: Light connection
- 5: Signal input
- 6: Mounting recesses
- 7: Cover
- 8: Cord relief
- 9: Electronic unit
- 10: Earth connection
- 11: Connector
- 12: Compressor
- 13: Screw 3.5 x 12 mm (3 pcs.)
- 14: Screw 3.5 x 25 mm (2 pcs.)

(for further descriptions on connecting the electronic unit and the compressor, refer to instruction CI.42.D. "Electronic Unit Type 105N4001 - 198-254V for the TLV Compressor").



# TLV6F

## Variable Speed Drive Compressor

### R134a

### 220-240V 50-60Hz

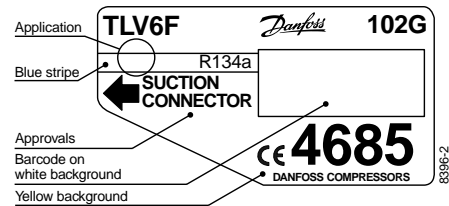
Data Sheet (Replaces CG.42.L3.02)

#### General

Compressor	<b>TLV6F</b>
Code number: Comp. without electronic unit	102G4685
Code number: Electronic unit	105N4001

#### Application

Application		LBP
Evaporating temperature range	°C	-35 to -10
Voltage range	V/Hz	198 - 254 /50 - 60
Starting characteristics		HST
Max. ambient temperature	°C	43
Comp. cooling at ambient temp.	32°C	S
	38°C	S
	43°C	S



- S = Static cooling normally sufficient
- O = Oil cooling
- F<sub>1</sub> = Fan cooling 1.5 m/s  
(compressor compartment temperature equal to ambient temperature)
- F<sub>2</sub> = Fan cooling 3.0 m/s necessary

#### Features

Speed range	rpm	2000 - 4000
Control modes with integrated speed control AEO*)		- mech. thermostat 220V ON/OFF
		- 5V DC ON/OFF
External speed control		- 5V DC 200-400Hz
Protections		- current
		- speed
		- temperature

\*)AEO - Adaptive Energy Optimizer

#### Design

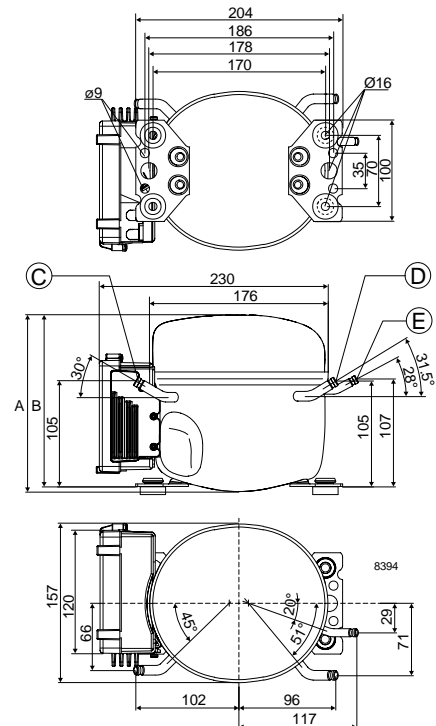
Displacement	cm <sup>3</sup>	5.70
Oil quantity	cm <sup>3</sup>	180
Maximum refrigerant charge	g	400
Free gas vol. in compressor	cm <sup>3</sup>	1790
Weight: Compressor/Electronic unit	kg	7.9/0.6

#### Motor

Motor type		permanent magnet
LRA (rated after 4 sec. UL984) HST	A	electronic cut-off
Cut-in current HST	A	6
Resistance, all 3 windings (25°C)	Ω	14.0
Approvals		EN 60335-2-34 with Annex AA

#### Dimensions

Height	mm	A	173
		B	169
Suction connector	location/I.D. mm	C	6.2 ±0.09
Process connector	location/I.D. mm	D	6.2 ±0.09
Discharge connector	location/I.D. mm	E	5.0 +0.12/+0.20
Compressors on a pallet (without el. unit)	pcs.		125



**Capacity (EN 12900/CECOMAF)**

rpm \ °C	-35	-30	-25	-23.3	-20	-15	-10
2,000	36.7	53.4	74.5	82.7	100	132	170
2,500	44.2	64.8	90.4	100	122	160	206
3,000	50.9	75.1	105	117	142	187	240
4,000	61.7	92.9	132	147	179	237	306

**watt**
**Capacity (ASHRAE)**

rpm \ °C	-35	-30	-25	-23.3	-20	-15	-10
2,000	45.2	65.9	91.8	102	124	163	210
2,500	54.5	79.9	111	124	150	198	254
3,000	62.7	92.6	130	144	175	231	297
4,000	76.0	115	162	181	221	292	378

**watt**
**Power consumption**

rpm \ °C	-35	-30	-25	-23.3	-20	-15	-10
2,000	43.9	54.1	65.5	69.7	78.0	91.5	106
2,500	53.0	66.0	80.0	85.0	95.0	111	129
3,000	62.4	78.2	94.9	101	113	132	152
4,000	82.0	104	126	134	150	175	203

**watt**
**Current consumption**

rpm \ °C	-35	-30	-25	-23.3	-20	-15	-10
2,000	0.91	1.09	1.28	1.35	1.47	1.67	1.86
2,500	0.91	1.09	1.28	1.35	1.48	1.68	1.89
3,000	0.91	1.09	1.27	1.34	1.47	1.67	1.88
4,000	0.91	1.07	1.24	1.30	1.41	1.57	1.73

**A**
**COP (EN 12900/CECOMAF)**

rpm \ °C	-35	-30	-25	-23.3	-20	-15	-10
2,000	0.84	0.99	1.14	1.19	1.29	1.44	1.61
2,500	0.83	0.98	1.13	1.18	1.28	1.44	1.60
3,000	0.82	0.96	1.11	1.16	1.26	1.42	1.58
4,000	0.75	0.90	1.04	1.09	1.20	1.35	1.50

**W/W**
**COP (ASHRAE)**

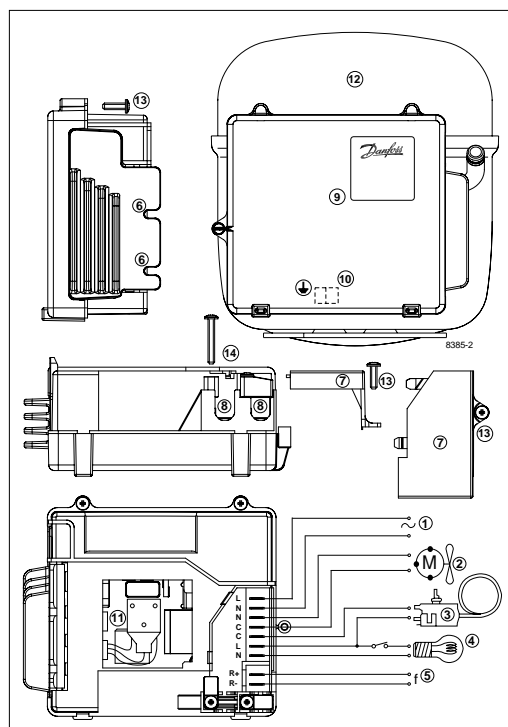
rpm \ °C	-35	-30	-25	-23.3	-20	-15	-10
2,000	1.03	1.22	1.40	1.46	1.59	1.78	1.99
2,500	1.03	1.21	1.39	1.46	1.58	1.78	1.98
3,000	1.01	1.19	1.37	1.43	1.56	1.75	1.95
4,000	0.93	1.10	1.29	1.35	1.48	1.67	1.86

**W/W**

Test conditions	EN 12900/CECOMAF	ASHRAE
Condensing temperature	55°C	55°C
Ambient and suction gas temp.	32°C	32°C
Liquid temperature	55°C	32°C
Static cooling, 220V 50Hz		

**Accessories**

Devices	TLV6F
Mounting accessories	
Bolt joint for one compressor	118-1917
Bolt joint in quantities	118-1918
Snap-on in quantities	118-1919


**Legend**

Number Description

- 1: Power supply
- 2: Fan connection
- 3: Thermostat connection
- 4: Light connection
- 5: Signal input
- 6: Mounting recesses
- 7: Cover
- 8: Cord relief
- 9: Electronic unit
- 10: Earth connection
- 11: Connector
- 12: Compressor
- 13: Screw 3.5 x 12 mm (3 pcs.)
- 14: Screw 3.5 x 25 mm (2 pcs.)

(for further descriptions on connecting the electronic unit and the compressor, refer to instruction CI.42.D. "Electronic Unit Type 105N4001 - 198-254V for the TLV Compressor").

# TLV7F

## Variable Speed Drive Compressor

### R134a

### 220-240V 50-60Hz

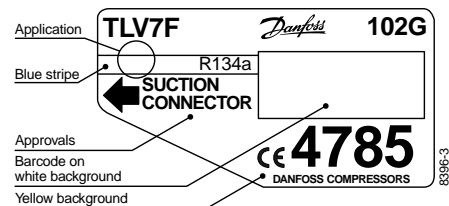
Data Sheet (Replaces CG.42.M3.02)

#### General

Compressor	<b>TLV7F</b>
Code number: Comp. without electronic unit	102G4785
Code number: Electronic unit	105N4001

#### Application

Application	LBP	
Evaporating temperature range	°C	-35 to -10
Voltage range	V/Hz	198 - 254 /50 - 60
Starting characteristics	HST	
Max. ambient temperature	°C	43
Comp. cooling at ambient temp.	32°C	S
	38°C	S
	43°C	S



- S = Static cooling normally sufficient
- O = Oil cooling
- F<sub>1</sub> = Fan cooling 1.5 m/s  
(compressor compartment temperature equal to ambient temperature)
- F<sub>2</sub> = Fan cooling 3.0 m/s necessary

#### Features

Speed range	rpm	2000 - 4000
Control modes with integrated speed control AEO*)	- mech. thermostat 220V ON/OFF	
	- 5V DC ON/OFF	
External speed control	- 5V DC 200-400Hz	
Protections	- current	
	- speed	
	- temperature	

\*)AEO - Adaptive Energy Optimizer

#### Design

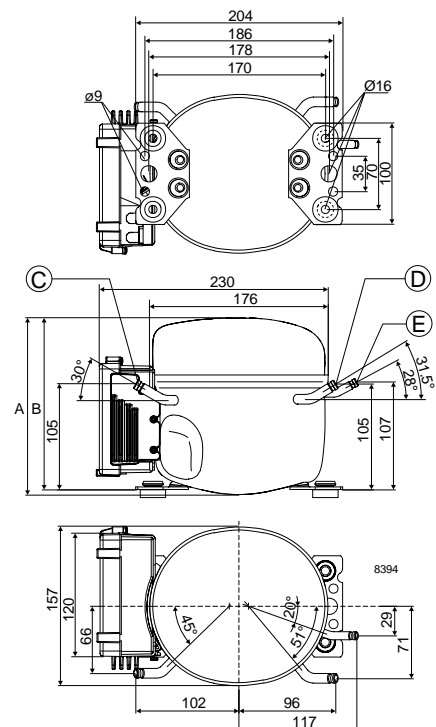
Displacement	cm <sup>3</sup>	6.49
Oil quantity	cm <sup>3</sup>	180
Maximum refrigerant charge	g	400
Free gas vol. in compressor	cm <sup>3</sup>	1790
Weight: Compressor/Electronic unit	kg	7.9/0.6

#### Motor

Motor type	permanent magnet	
LRA (rated after 4 sec. UL984) HST	A	electronic cut-off
Cut-in current HST	A	6
Resistance, all 3 windings (25°C)	Ω	14.0
Approvals	EN 60335-2-34 with Annex AA	

#### Dimensions

Height	mm	A	173
		B	169
Suction connector	location/I.D. mm	C	6.2 ±0.09
Process connector	location/I.D. mm	D	6.2 ±0.09
Discharge connector	location/I.D. mm	E	5.0 +0.12/+0.20
Compressors on a pallet (without el. unit)	pcs.		125



**Capacity (EN 12900/CECOMAF)**

rpm \ °C	-35	-30	-25	-23.3	-20	-15	-10
2,000	47.5	66.2	90.0	99.3	120	156	199
2,500	56.3	80.7	111	122	147	192	245
3,000	64.2	92.8	128	141	171	222	284
4,000	78.3	111	153	170	205	269	345

**watt**
**Capacity (ASHRAE)**

rpm \ °C	-35	-30	-25	-23.3	-20	-15	-10
2,000	58.6	81.7	111	123	148	192	246
2,500	69.3	99.5	137	151	182	237	302
3,000	79.1	114	158	175	211	274	350
4,000	96.6	137	189	210	253	332	427

**watt**
**Power consumption**

rpm \ °C	-35	-30	-25	-23.3	-20	-15	-10
2,000	51.8	64.6	78.3	83.3	93.1	109	125
2,500	63.0	79.8	97.6	104	116	136	156
3,000	74.2	94.2	115	123	137	161	185
4,000	96.2	120	146	155	174	203	235

**watt**
**Current consumption**

rpm \ °C	-35	-30	-25	-23.3	-20	-15	-10
2,000	1.05	1.25	1.46	1.53	1.68	1.91	2.14
2,500	1.05	1.26	1.48	1.55	1.70	1.93	2.17
3,000	1.05	1.26	1.47	1.55	1.69	1.92	2.15
4,000	0.97	1.18	1.38	1.45	1.57	1.73	1.88

**A**
**COP (EN 12900/CECOMAF)**

rpm \ °C	-35	-30	-25	-23.3	-20	-15	-10
2,000	0.92	1.03	1.15	1.19	1.28	1.43	1.59
2,500	0.89	1.01	1.13	1.18	1.27	1.41	1.57
3,000	0.87	0.99	1.11	1.15	1.24	1.38	1.53
4,000	0.81	0.93	1.05	1.09	1.18	1.32	1.47

**W/W**
**COP (ASHRAE)**

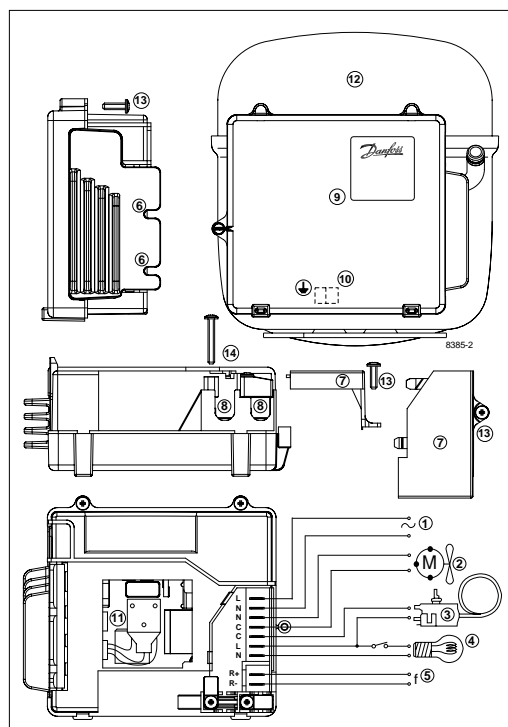
rpm \ °C	-35	-30	-25	-23.3	-20	-15	-10
2,000	1.13	1.27	1.42	1.47	1.59	1.77	1.97
2,500	1.10	1.25	1.40	1.45	1.56	1.74	1.94
3,000	1.07	1.22	1.37	1.42	1.53	1.71	1.90
4,000	1.00	1.14	1.29	1.35	1.46	1.63	1.81

**W/W**

Test conditions	EN 12900/CECOMAF	ASHRAE
Condensing temperature	55°C	55°C
Ambient and suction gas temp.	32°C	32°C
Liquid temperature	55°C	32°C
Static cooling, 220V 50Hz		

**Accessories**

Devices	TLV7F
Mounting accessories	
Bolt joint for one compressor	118-1917
Bolt joint in quantities	118-1918
Snap-on in quantities	118-1919


**Legend**

Number Description

- 1: Power supply
- 2: Fan connection
- 3: Thermostat connection
- 4: Light connection
- 5: Signal input
- 6: Mounting recesses
- 7: Cover
- 8: Cord relief
- 9: Electronic unit
- 10: Earth connection
- 11: Connector
- 12: Compressor
- 13: Screw 3.5 x 12 mm (3 pcs.)
- 14: Screw 3.5 x 25 mm (2 pcs.)

(for further descriptions on connecting the electronic unit and the compressor, refer to instruction CI.42.D. "Electronic Unit Type 105N4001 - 198-254V for the TLV Compressor").

# TLS3FT

## Tropical Compressor

### R134a

### 220-240V 50Hz

Data Sheet (Replaces CD.42.N5.02)

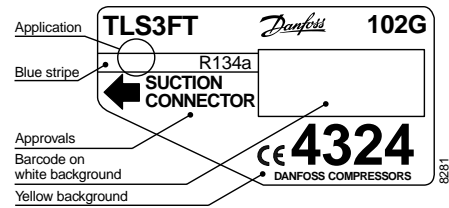
#### General

Compressor	<b>TLS3FT</b>
Code number	102G4324

#### Application

Application		LBP
Evaporating temperature range	°C	-35 to -10
Voltage range	V/Hz	187 - 254 /50
Motor type		RSIR*)
Max. ambient temperature	°C	43
Comp. cooling at ambient temp.	32°C	S
	38°C	S
	43°C	S

\*) In capillary tube systems where non-equalized pressures may occur at compressor start, or in areas with short power supply drop-outs, a starting capacitor can be used for ensuring a successful start (CSIR).



- S = Static cooling normally sufficient
- O = Oil cooling
- F<sub>1</sub> = Fan cooling 1.5 m/s  
(compressor compartment temperature equal to ambient temperature)
- F<sub>2</sub> = Fan cooling 3.0 m/s necessary

#### Design

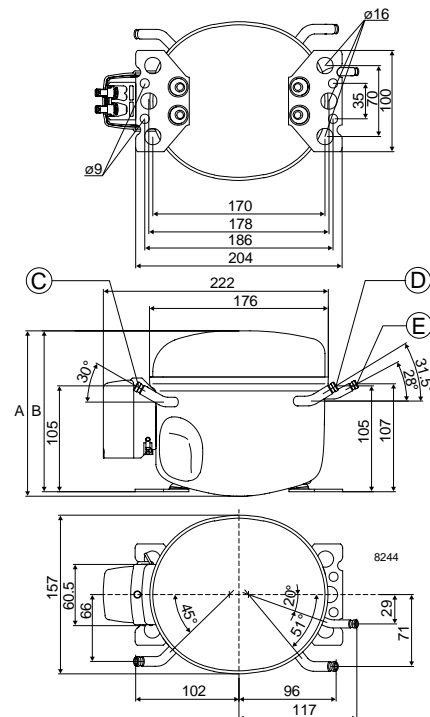
Displacement	cm <sup>3</sup>	3.13
Oil quantity	cm <sup>3</sup>	180
Maximum refrigerant charge	g	400
Free gas vol. in compressor	cm <sup>3</sup>	1790
Weight without electrical equipment	kg	7.5

#### Motor

Motor size	watt	75
LRA (rated after 4 sec. UL984) LST	A	2.6
Cut-in current LST	A	6.9
Resistance, main and start winding (25°C)	Ω	27.5/15.1
Approvals		EN 60335-2-34

#### Dimensions

Height	mm	A	173
		B	169
Suction connector	location/I.D. mm	C	6.2 ±0.09
Process connector	location/I.D. mm	D	6.2 ±0.09
Discharge connector	location/I.D. mm	E	5.0 +0.12/+0.20
Compressors on a pallet	pcs.		125



**Capacity (EN 12900/CECOMAF)**
**watt**

Comp. °C	-35	-30	-25	-23.3	-20	-15	-10
TLS3FT	21	34	50	56	69	92	120

**Capacity (ASHRAE)**
**watt**

Comp. °C	-35	-30	-25	-23.3	-20	-15	-10
TLS3FT	26	42	61	69	85	114	149

**Power consumption**
**watt**

Comp. °C	-35	-30	-25	-23.3	-20	-15	-10
TLS3FT	45	53	62	65	71	81	92

**Current consumption**
**A**

Comp. °C	-35	-30	-25	-23.3	-20	-15	-10
TLS3FT	0.39	0.42	0.45	0.46	0.48	0.52	0.56

**COP (EN 12900/CECOMAF)**
**W/W**

Comp. °C	-35	-30	-25	-23.3	-20	-15	-10
TLS3FT	0.46	0.63	0.80	0.86	0.97	1.14	1.30

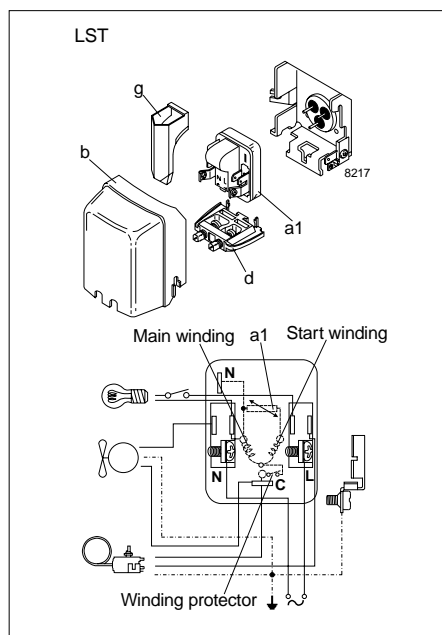
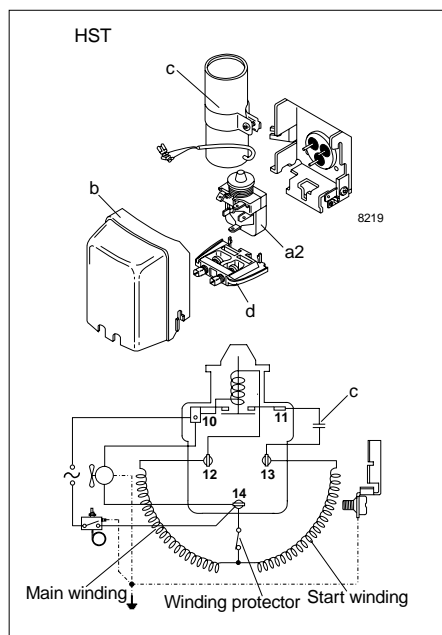
**COP (ASHRAE)**
**W/W**

Comp. °C	-35	-30	-25	-23.3	-20	-15	-10
TLS3FT	0.57	0.78	0.99	1.06	1.20	1.41	1.61

Test conditions	EN 12900/CECOMAF	ASHRAE
Condensing temperature	55°C	55°C
Ambient and suction gas temp.	32°C	32°C
Liquid temperature	55°C	32°C
Static cooling, 220V 50Hz, PTC consumption incl.		

**Accessories**

Devices	Fig.	TLS3FT
PTC starting device 6.3 mm spades 4.8 mm spades	a1	103N0011 103N0018
Starting relay	a2	117U6007
Cover	b	103N2010
Starting capacitor 60 µF	c	117U5014
Cord relief	d	103N1010
Protection screen for PTC	g	103N0476
Mounting accessories		
Bolt joint for one compressor		118-1917
Bolt joint in quantities		118-1918
Snap-on in quantities		118-1919





**Capacity (EN 12900/CECOMAF)**

Comp. °C	-35	-30	-25	-23.3	-20	-15	-10
TLS4FT	27	43	63	71	88	117	152

**Capacity (ASHRAE)**

Comp. °C	-35	-30	-25	-23.3	-20	-15	-10
TLS4FT	34	53	78	88	108	144	188

**Power consumption**

Comp. °C	-35	-30	-25	-23.3	-20	-15	-10
TLS4FT	68	77	87	91	99	110	123

**Current consumption**

Comp. °C	-35	-30	-25	-23.3	-20	-15	-10
TLS4FT	0.78	0.79	0.82	0.82	0.84	0.87	0.91

**COP (EN 12900/CECOMAF)**

Comp. °C	-35	-30	-25	-23.3	-20	-15	-10
TLS4FT	0.40	0.56	0.72	0.78	0.89	1.06	1.24

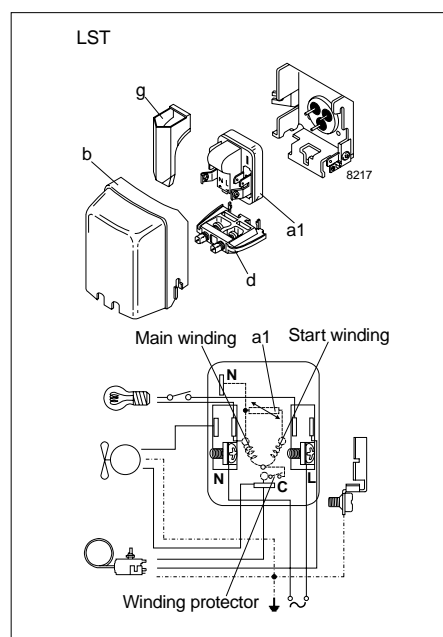
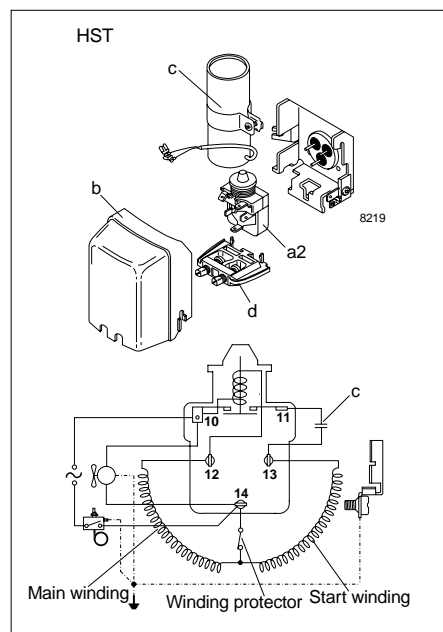
**COP (ASHRAE)**

Comp. °C	-35	-30	-25	-23.3	-20	-15	-10
TLS4FT	0.49	0.69	0.89	0.96	1.10	1.31	1.53

Test conditions	EN 12900/CECOMAF	ASHRAE
Condensing temperature	55°C	55°C
Ambient and suction gas temp.	32°C	32°C
Liquid temperature	55°C	32°C
Static cooling, 220V 50Hz,		
PTC consumption incl.		

**Accessories**

Devices	Fig.	TLS4FT
PTC starting device 6.3 mm spades 4.8 mm spades	a1	103N0011 103N0018
Starting relay	a2	117U6004
Cover	b	103N2010
Starting capacitor 60 µF	c	117U5014
Cord relief	d	103N1010
Protection screen for PTC	g	103N0476
Mounting accessories		
Bolt joint for one compressor		118-1917
Bolt joint in quantities		118-1918
Snap-on in quantities		118-1919







**Capacity (EN 12900/CECOMAF)**

Comp. °C	-35	-30	-25	-23.3	-20	-15	-10
TLS5FT	47.8	70.7	98.0	109	131	170	216

**Capacity (ASHRAE)**

Comp. °C	-35	-30	-25	-23.3	-20	-15	-10
TLS5FT	58.9	87.2	121	134	161	209	267

**Power consumption**

Comp. °C	-35	-30	-25	-23.3	-20	-15	-10
TLS5FT	84.5	99.2	114	120	131	147	165

**Current consumption**

Comp. °C	-35	-30	-25	-23.3	-20	-15	-10
TLS5FT	0.96	0.98	1.01	1.02	1.05	1.10	1.15

**COP (EN 12900/CECOMAF)**

Comp. °C	-35	-30	-25	-23.3	-20	-15	-10
TLS5FT	0.57	0.71	0.86	0.91	1.00	1.15	1.30

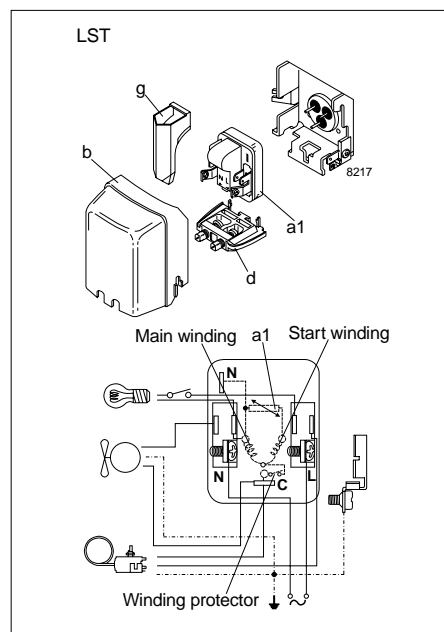
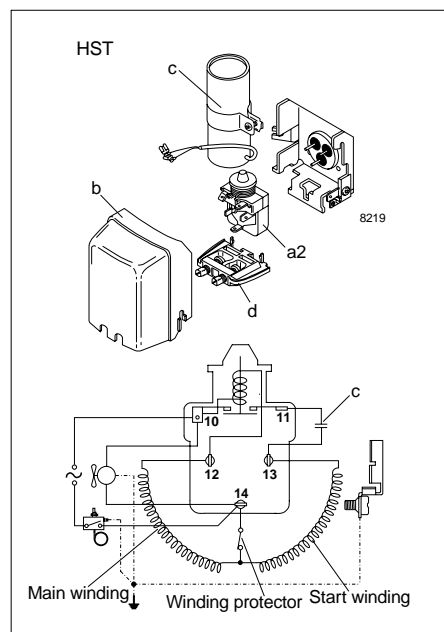
**COP (ASHRAE)**

Comp. °C	-35	-30	-25	-23.3	-20	-15	-10
TLS5FT	0.70	0.88	1.06	1.12	1.24	1.42	1.61

Test conditions	EN 12900/CECOMAF	ASHRAE
Condensing temperature	55°C	55°C
Ambient and suction gas temp.	32°C	32°C
Liquid temperature	55°C	32°C
Static cooling, 220V 50Hz,		
PTC consumption incl.		

**Accessories**

Devices	Fig.	TLS5FT
PTC starting device	6.3 mm spades	103N0011
	4.8 mm spades	103N0018
Starting relay	a1	117U6000
Cover	a2	117U6000
Starting capacitor 60 µF	b	103N2010
Cord relief	c	117U5014
Protection screen for PTC	d	103N1010
Mounting accessories		118-1917
		118-1918
		118-1919
		118-1919



# TFS4FT Tropical Compressor R134a 220V 50Hz

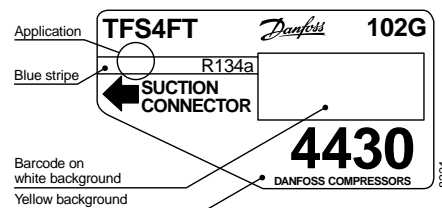
Data Sheet (Replaces CD.42.U3.22)

## General

Compressor		TFS4FT
Connector-material	Sealing	Code number
Copper-plated steel	Aluminium caps	
Copper-plated steel	Rubber plugs	102G4430
Copper	Rubber plugs	

## Application

Application		LBP
Evaporating temperature range	°F (°C)	-31 to 23 (-35 to -5)
Voltage range	V/Hz	176 - 242 /50
Motor type		RSIR
Max. ambient temperature	°F (°C)	110 (43)
Comp. cooling at max. ambient temperature	110°F (43°C)	S



- S = Static cooling normally sufficient
- O = Oil cooling
- F<sub>1</sub> = Fan cooling 1.5 m/s (compressor compartment temperature equal to ambient temperature)
- F<sub>2</sub> = Fan cooling 3.0 m/s necessary

## Design

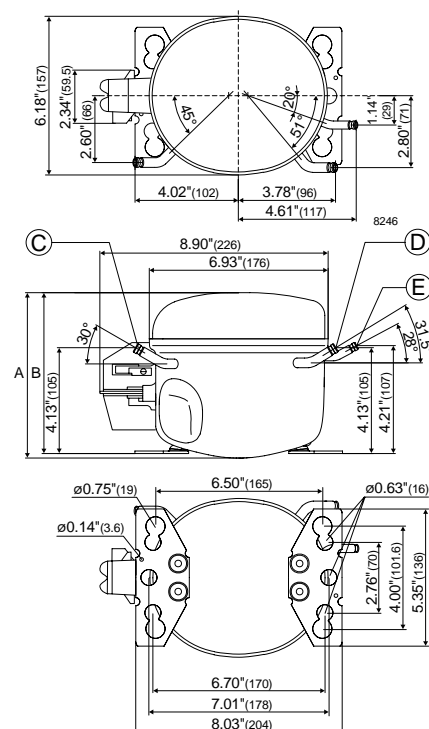
Displacement	cu.in. (cm <sup>3</sup> )	0.23 (3.86)
Oil quantity	fl.oz. (cm <sup>3</sup> )	6.1 (180)
Maximum refrigerant charge	oz. (g)	14.0 (400)
Free gas vol. in compressor housing	fl.oz. (cm <sup>3</sup> )	57.3 (1690)
Weight without electrical equipment	lbs. (kg)	14.9 (6.8)

## Motor

Motor size	watt	90
LRA (rated after 4 sec.UL984) LST	A	7.4
Cut-in current LST	A	7.4
Resistance, main and start winding (77°F)	Ω	19.3/38.1
Approvals		-

## Dimensions

Height	in. (mm)	A	6.70 (170)
		B	6.50 (166)
Suction connector	location/I.D.	in. (mm)	C 0.252-0.259 (6.5±0.09)
Process connector	location/I.D.	in. (mm)	D 0.252-0.259 (6.5±0.09)
Discharge connector	location/I.D.	in. (mm)	E 0.202-0.205 (5.0+0.12/0.20)
Compressors on a pallet	pcs.		125



**Capacity (ASHRAE)**

	-30	-20	-13	-10	0	10	14	20
Comp.\°F	-30	-20	-13	-10	0	10	14	20
Comp.\°C	-34.4	-28.9	-25	-23.3	-17.8	-12.2	-10	-6.7
TFS4FT	154	234	303	335	461	615	685	800

**Btu/h**
**Capacity (EN 12900/CECOMAF)**

	-34.4	-28.9	-25	-23.3	-17.8	-12.2	-10	-6.7
Comp.\°C	-34.4	-28.9	-25	-23.3	-17.8	-12.2	-10	-6.7
Comp.\°F	-30	-20	-13	-10	0	10	14	20
TFS4FT	37	56	72	80	110	147	164	191

**watt**
**Power consumption**

	-30	-20	-13	-10	0	10	14	20
Comp.\°F	-30	-20	-13	-10	0	10	14	20
Comp.\°C	-34.4	-28.9	-25	-23.3	-17.8	-12.2	-10	-6.7
TFS4FT	68	77	84	87	100	114	120	130

**watt**
**Current consumption**

	-30	-20	-13	-10	0	10	14	20
Comp.\°F	-30	-20	-13	-10	0	10	14	20
Comp.\°C	-34.4	-28.9	-25	-23.3	-17.8	-12.2	-10	-6.7
TFS4FT	0.68	0.70	0.72	0.73	0.76	0.81	0.82	0.85

**A**
**EER (ASHRAE)**

	-30	-20	-13	-10	0	10	14	20
Comp.\°F	-30	-20	-13	-10	0	10	14	20
Comp.\°C	-34.4	-28.9	-25	-23.3	-17.8	-12.2	-10	-6.7
TFS4FT	2.27	3.06	3.62	3.85	4.63	5.39	5.69	6.16

**Btu/Wh**
**COP (EN 12900/CECOMAF)**

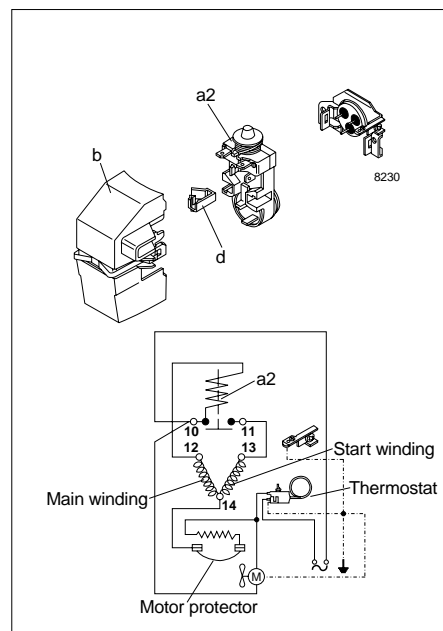
	-34.4	-28.9	-25	-23.3	-17.8	-12.2	-10	-6.7
Comp.\°C	-34.4	-28.9	-25	-23.3	-17.8	-12.2	-10	-6.7
Comp.\°F	-30	-20	-13	-10	0	10	14	20
TFS4FT	0.54	0.73	0.87	0.92	1.11	1.29	1.36	1.47

**W/W**

Test conditions	ASHRAE	EN 12900/CECOMAF
Condensing temperature	130°F (54.4°C)	55°C (131°F)
Ambient and suction gas temp.	90°F (32°C)	32°C (90°F)
Liquid temperature	90°F (32°C)	55°C (131°F)
Static cooling, 220V 50Hz		

**Accessories**

Devices	Fig.	TFS4FT
Starting relay (Klixon incl.)	a2	117U4109
Klixon		MRP209HL-6
Cover	b	117U1023
Cord relief	d	117U0349
Mounting accessories	Ø in. (mm)	
Bolt joint in quantities	5/8 (16)	118-1945
Bolt joint in quantities	3/4 (19)	118-1948
Snap-on in quantities	5/8 (16)	118-1944



# TFS4.5FT Tropical Compressor R134a 220V 50Hz

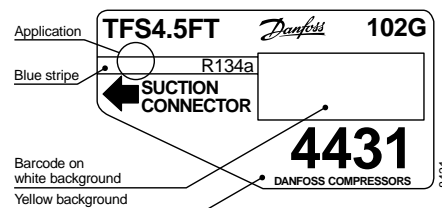
Data Sheet

## General

<b>Compressor</b>		<b>TFS4.5FT</b>
Connector-material	Sealing	Code number
Copper-plated steel	Aluminium caps	
Copper-plated steel	Rubber plugs	102G4431
Copper	Rubber plugs	

## Application

Application		LBP
Evaporating temperature range	°F (°C)	-31 to 23 (-35 to -5)
Voltage range	V/Hz	176 - 242 / 50
Motor type		RSIR
Max. ambient temperature	°F (°C)	110 (43)
Comp. cooling at max. ambient temperature	110°F (43°C)	S



- S = Static cooling normally sufficient
- O = Oil cooling
- F<sub>1</sub> = Fan cooling 1.5 m/s (compressor compartment temperature equal to ambient temperature)
- F<sub>2</sub> = Fan cooling 3.0 m/s necessary

## Design

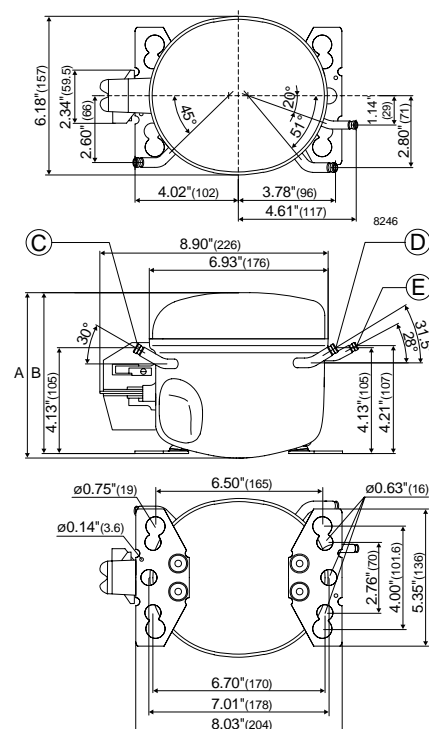
Displacement	cu.in. (cm <sup>3</sup> )	0.29 (4.63)
Oil quantity	fl.oz. (cm <sup>3</sup> )	6.1 (180)
Maximum refrigerant charge	oz. (g)	14.0 (400)
Free gas vol. in compressor housing	fl.oz. (cm <sup>3</sup> )	57.3 (1690)
Weight without electrical equipment	lbs. (kg)	14.9 (6.8)

## Motor

Motor size	watt	120
LRA (rated after 4 sec.UL984) LST	A	9.4
Cut-in current LST	A	9.4
Resistance, main and start winding (77°F)	Ω	13.5/34.3
Approvals		-

## Dimensions

Height	in. (mm)	A	6.70 (170)
		B	6.50 (166)
Suction connector	location/I.D.	in. (mm)	C 0.252-0.259 (6.5±0.09)
Process connector	location/I.D.	in. (mm)	D 0.252-0.259 (6.5±0.09)
Discharge connector	location/I.D.	in. (mm)	E 0.202-0.205 (5.0+0.12/0.20)
Compressors on a pallet	pcs.		125



**Capacity (ASHRAE)**

	<b>Btu/h</b>							
Comp.\°F	-30	-20	-13	-10	0	10	14	20
Comp.\°C	-34.4	-28.9	-25	-23.3	-17.8	-12.2	-10	-6.7
TFS4.5FT	199	296	379	418	569	754	839	977

**Capacity (EN 12900/CECOMAF)**

	<b>watt</b>							
Comp.\°C	-34.4	-28.9	-25	-23.3	-17.8	-12.2	-10	-6.7
Comp.\°F	-30	-20	-13	-10	0	10	14	20
TFS4.5FT	48	71	91	100	136	180	200	233

**Power consumption**

	<b>watt</b>							
Comp.\°F	-30	-20	-13	-10	0	10	14	20
Comp.\°C	-34.4	-28.9	-25	-23.3	-17.8	-12.2	-10	-6.7
TFS4.5FT	88	99	107	111	125	140	146	156

**Current consumption**

	<b>A</b>							
Comp.\°F	-30	-20	-13	-10	0	10	14	20
Comp.\°C	-34.4	-28.9	-25	-23.3	-17.8	-12.2	-10	-6.7
TFS4.5FT	0.95	0.97	0.99	1.00	1.03	1.07	1.09	1.12

**EER (ASHRAE)**

	<b>Btu/Wh</b>							
Comp.\°F	-30	-20	-13	-10	0	10	14	20
Comp.\°C	-34.4	-28.9	-25	-23.3	-17.8	-12.2	-10	-6.7
TFS4.5FT	2.27	2.99	3.52	3.75	4.55	5.38	5.73	6.27

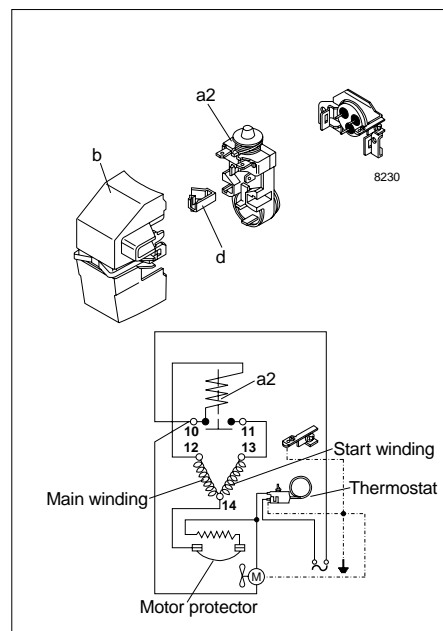
**COP (EN 12900/CECOMAF)**

	<b>W/W</b>							
Comp.\°C	-34.4	-28.9	-25	-23.3	-17.8	-12.2	-10	-6.7
Comp.\°F	-30	-20	-13	-10	0	10	14	20
TFS4.5FT	0.54	0.72	0.84	0.90	1.09	1.29	1.37	1.50

Test conditions	ASHRAE	EN 12900/CECOMAF
Condensing temperature	130°F (54.4°C)	55°C (131°F)
Ambient and suction gas temp.	90°F (32°C)	32°C (90°F)
Liquid temperature	90°F (32°C)	55°C (131°F)
Static cooling, 220V 50Hz		

**Accessories**

Devices	Fig.	TFS4.5FT
Starting relay (Klixon incl.)	a2	117U4103
Klixon		MRP77HL-6
Cover	b	117U1023
Cord relief	d	117U0349
Mounting accessories	Ø in. (mm)	
Bolt joint in quantities	5/8 (16)	118-1945
Bolt joint in quantities	3/4 (19)	118-1948
Snap-on in quantities	5/8 (16)	118-1944



# NL6FT Tropical Compressor R134a 220-240V 50/60Hz

Data Sheet (Replaces CD.43.M6.02)

## General

Compressor	<b>NL6FT</b>
Code number	105G6628
Code number	105G6632

## Application

Application	LBP	
Evaporating temperature range	°C	-35 to -10
Voltage range	V/Hz	187 - 254 /50
		198 - 254 /60
Motor type	RSIR*)	
Max. ambient temperature	°C	43
Comp. cooling at ambient temp.	32°C	S
	38°C	S
	43°C	S

\*) In capillary tube systems where non-equalized pressures may occur at compressor start, or in areas with short power supply drop-outs, a starting capacitor can be used for ensuring a successful start (CSIR).

## Design

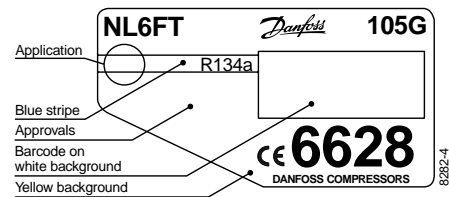
Displacement	cm <sup>3</sup>	6.13
Oil quantity	cm <sup>3</sup>	320
Maximum refrigerant charge	g	400
Free gas vol. in compressor	cm <sup>3</sup>	2360
Weight without electrical equipment	kg	10.0

## Motor

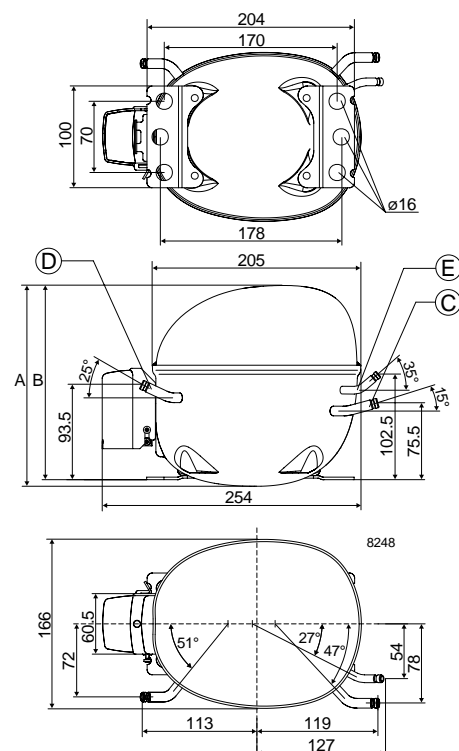
Motor size	watt	155
LRA (rated after 4 sec. UL984) LST/HST	A	5.9/7.4
Cut-in current LST/HST	A	10.3/7.4
Resistance, main and start winding (25°C)	Ω	12.6/12.4
Approvals	EN 60335-2-34, CCIB	

## Dimensions

		105G6628	105G6632
Height	mm	A	197
		B	191
Suction connector	location/I.D. mm	C	6.2 ±0.09
Process connector	location/I.D. mm	D	6.2 ±0.09
Discharge connector	location/I.D. mm	E	5.0+0.12/+0.20
Compressors on a pallet	pcs.	80	



- S = Static cooling normally sufficient
- O = Oil cooling
- F<sub>1</sub> = Fan cooling 1.5 m/s  
(compressor compartment temperature equal to ambient temperature)
- F<sub>2</sub> = Fan cooling 3.0 m/s necessary



**Capacity (EN 12900/CECOMAF)**

Comp. °C	-35	-30	-25	-23.3	-20	-15	-10
NL6FT	60	84	115	127	152	198	253

**Capacity (ASHRAE)**

Comp. °C	-35	-30	-25	-23.3	-20	-15	-10
NL6FT	74	104	141	156	188	244	311

**Power consumption**

Comp. °C	-35	-30	-25	-23.3	-20	-15	-10
NL6FT	93	107	123	130	142	163	184

**Current consumption**

Comp. °C	-35	-30	-25	-23.3	-20	-15	-10
NL6FT	0.77	0.80	0.84	0.85	0.89	0.96	1.04

**COP (EN 12900/CECOMAF)**

Comp. °C	-35	-30	-25	-23.3	-20	-15	-10
NL6FT	0.65	0.79	0.93	0.98	1.07	1.22	1.37

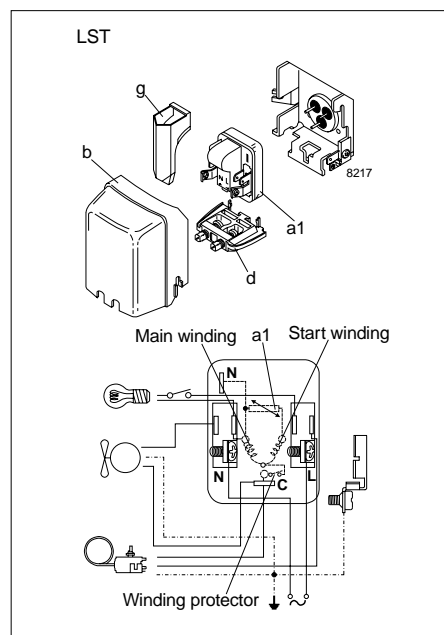
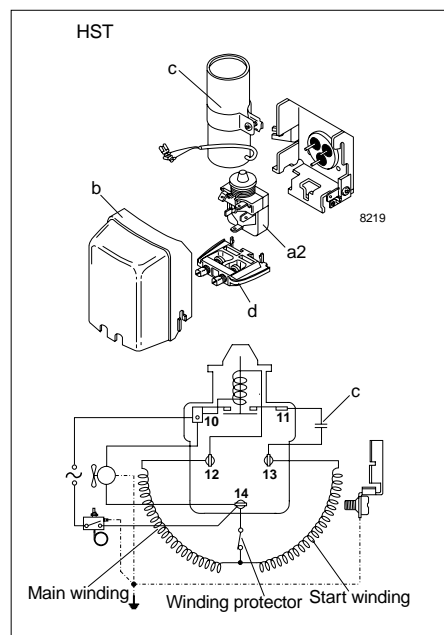
**COP (ASHRAE)**

Comp. °C	-35	-30	-25	-23.3	-20	-15	-10
NL6FT	0.80	0.97	1.15	1.21	1.32	1.50	1.69

Test conditions	EN 12900/CECOMAF	ASHRAE
Condensing temperature	55°C	55°C
Ambient and suction gas temp.	32°C	32°C
Liquid temperature	55°C	32°C
Static cooling, 220V 50Hz, PTC consumption incl.		

**Accessories**

Devices	Fig.	NL6FT
PTC starting device	6.3 mm spades 4.8 mm spades	a1
		103N0011 103N0018
Starting relay	a2	117U6000
Cover	b	103N2010
Starting capacitor 80 µF	c	117U5015
Cord relief	d	103N1010
Protection screen for PTC	g	103N0476
Mounting accessories		
Bolt joint for one compressor		118-1917
Bolt joint in quantities		118-1918
Snap-on in quantities		118-1919





# NL7FT Tropical Compressor R134a 220-240V 50Hz

Data Sheet (Replaces CG.43.L1.02)

## General

Compressor	NL7FT
Code number	105G6728
Code number compressor with oil cooler	105G6738

## Application

Application	LBP
Evaporating temperature range	°C -35 to -10
Voltage range	V/Hz 187 - 254 /50
Motor type	RSIR*)
Max. ambient temperature	°C 43
Comp. cooling at ambient temp.	32°C S
	38°C S
	43°C O/F <sub>1</sub>

\*) In capillary tube systems where non-equalized pressures may occur at compressor start, or in areas with short power supply drop-outs, a starting capacitor can be used for ensuring a successful start (CSIR).

## Design

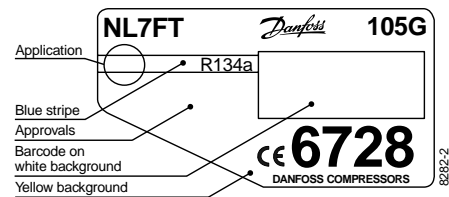
Displacement	cm <sup>3</sup>	7.27
Oil quantity	cm <sup>3</sup>	320
Maximum refrigerant charge	g	400
Free gas vol. in compressor	cm <sup>3</sup>	2360
Weight without electrical equipment	kg	10.0

## Motor

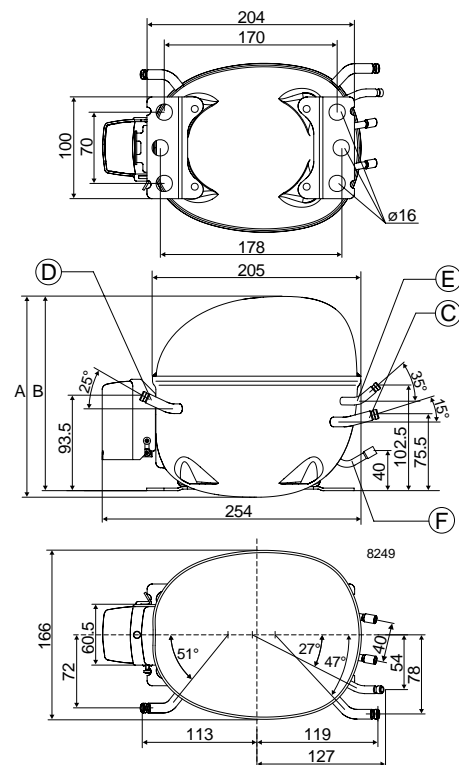
Motor size	watt	175
LRA (rated after 4 sec. UL984) LST/HST	A	6.8/8.1
Cut-in current LST/HST	A	11.4/8.1
Resistance, main and start winding (25°C)	Ω	10.7/13.0
Approvals		EN 60335-2-34, CCIB

## Dimensions

Height	mm	A	197
		B	191
Suction connector	location/I.D. mm	C	6.2 ±0.09
Process connector	location/I.D. mm	D	6.2 ±0.09
Discharge connector	location/I.D. mm	E	5.0 +0.12/+0.20
Oil cooler	location/I.D. mm	F	5.0 +0.12/+0.20
Compressors on a pallet	pcs.		80



- S = Static cooling normally sufficient
- O = Oil cooling
- F<sub>1</sub> = Fan cooling 1.5 m/s  
(compressor compartment temperature equal to ambient temperature)
- F<sub>2</sub> = Fan cooling 3.0 m/s necessary



**Capacity (EN 12900/CECOMAF)**

Comp. °C	-35	-30	-25	-23.3	-20	-15	-10
NL7FT	71	100	136	150	181	235	299

**Capacity (ASHRAE)**

Comp. °C	-35	-30	-25	-23.3	-20	-15	-10
NL7FT	87	123	168	185	222	289	369

**Power consumption**

Comp. °C	-35	-30	-25	-23.3	-20	-15	-10
NL7FT	108	124	145	152	168	194	220

**Current consumption**

Comp. °C	-35	-30	-25	-23.3	-20	-15	-10
NL7FT	0.86	0.88	0.94	0.96	1.01	1.11	1.21

**COP (EN 12900/CECOMAF)**

Comp. °C	-35	-30	-25	-23.3	-20	-15	-10
NL7FT	0.66	0.81	0.94	0.99	1.07	1.21	1.36

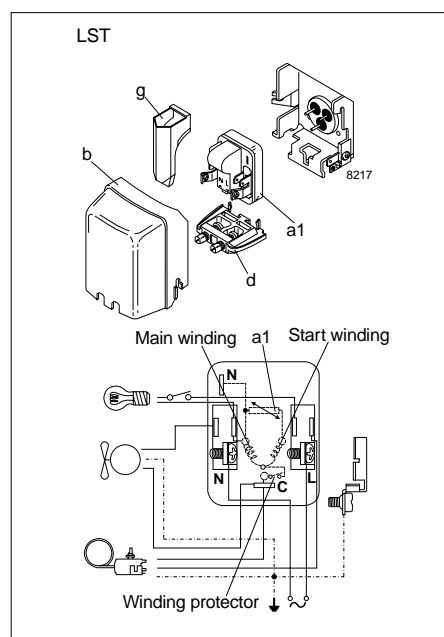
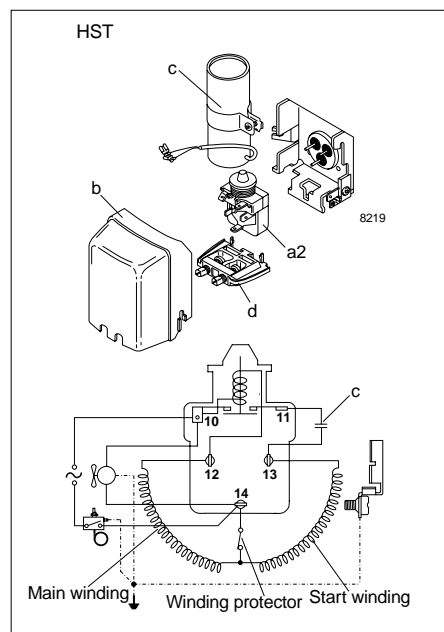
**COP (ASHRAE)**

Comp. °C	-35	-30	-25	-23.3	-20	-15	-10
NL7FT	0.81	0.99	1.16	1.21	1.32	1.49	1.68

Test conditions	EN 12900/CECOMAF	ASHRAE
Condensing temperature	55°C	55°C
Ambient and suction gas temp.	32°C	32°C
Liquid temperature	55°C	32°C
Static cooling, 220V 50Hz,		
PTC consumption incl.		

**Accessories**

Devices	Fig.	NL7FT
PTC starting device	6.3 mm spades 4.8 mm spades	a1
		103N0011 103N0018
Starting relay	a2	117U6001
Cover	b	103N2010
Starting capacitor 80 µF	c	117U5015
Cord relief	d	103N1010
Protection screen for PTC	g	103N0476
Mounting accessories		
Bolt joint for one compressor		118-1917
Bolt joint in quantities		118-1918
Snap-on in quantities		118-1919

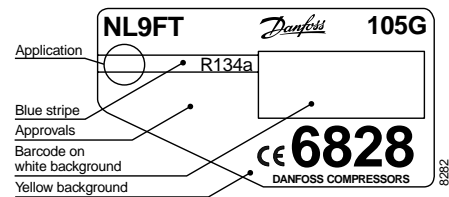


# NL9FT Tropical Compressor R134a 220-240V 50Hz

Data Sheet (Replaces CD.43.N2.02)

## General

Compressor	<b>NL9FT</b>
Code number	105G6828
Code number compressor with oil cooler	105G6838
Code number	105G6832
Code number compressor with oil cooler	105G6833



## Application

Application		LBP
Evaporating temperature range	°C	-35 to -10
Voltage range	V/Hz	187 - 254 /50
Motor type		RSIR <sup>*)</sup>
Max. ambient temperature	°C	43
Comp. cooling at ambient temp.	32°C	S
	38°C	O/F <sub>1</sub>
	43°C	O/F <sub>1</sub>

- S = Static cooling normally sufficient
- O = Oil cooling
- F<sub>1</sub> = Fan cooling 1.5 m/s  
(compressor compartment temperature equal to ambient temperature)
- F<sub>2</sub> = Fan cooling 3.0 m/s necessary

<sup>\*)</sup> In capillary tube systems where non-equalized pressures may occur at compressor start, or in areas with short power supply drop-outs, a starting capacitor can be used for ensuring a successful start (CSIR).

## Design

Displacement	cm <sup>3</sup>	8.35
Oil quantity	cm <sup>3</sup>	320
Maximum refrigerant charge	g	400
Free gas vol. in compressor	cm <sup>3</sup>	2360
Weight without electrical equipment	kg	10.0

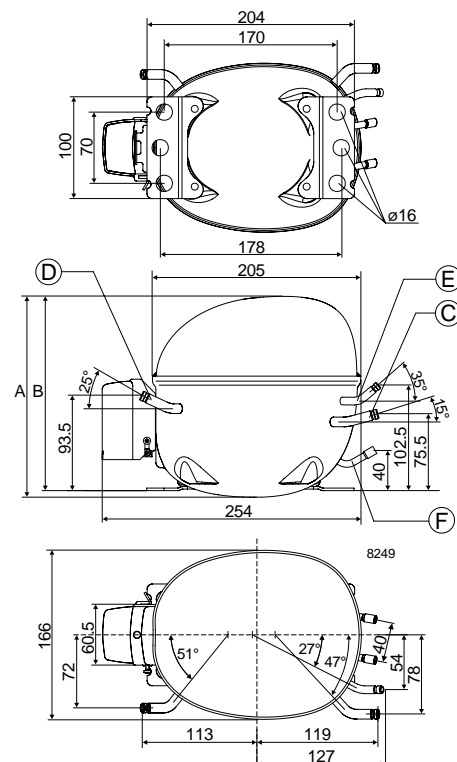
## Motor

Motor size	watt	215
LRA (rated after 4 sec. UL984) LST/HST	A	8.1/8.2
Cut-in current LST/HST	A	12.8/8.2
Resistance, main and start winding (25°C)	Ω	8.9/12.0
Approvals		EN 60335-2-34, CCIB

## Dimensions

**105G6828/38 105G6832/33**

Height	mm	A	197
		B	191
Suction connector	location/I.D. mm	C 6.2 ±0.09	6.5 ±0.09
Process connector	location/I.D. mm	D 6.2 ±0.09	6.5 ±0.09
Discharge connector	location/I.D. mm	E 5.0 +0.12/+0.20	5.0 +0.12/+0.20
Oil cooler	location/I.D. mm	F 5.0 +0.12/+0.20	5.0 +0.12/+0.20
Compressors on a pallet	pcs.	80	



**Capacity (EN 12900/CECOMAF)**

Comp. °C	-35	-30	-25	-23.3	-20	-15	-10
NL9FT	87	120	162	178	213	275	350

**Capacity (ASHRAE)**

Comp. °C	-35	-30	-25	-23.3	-20	-15	-10
NL9FT	107	148	199	219	262	339	432

**Power consumption**

Comp. °C	-35	-30	-25	-23.3	-20	-15	-10
NL9FT	127	146	169	178	195	223	252

**Current consumption**

Comp. °C	-35	-30	-25	-23.3	-20	-15	-10
NL9FT	1.18	1.22	1.28	1.30	1.36	1.45	1.55

**COP (EN 12900/CECOMAF)**

Comp. °C	-35	-30	-25	-23.3	-20	-15	-10
NL9FT	0.69	0.82	0.95	1.00	1.09	1.24	1.39

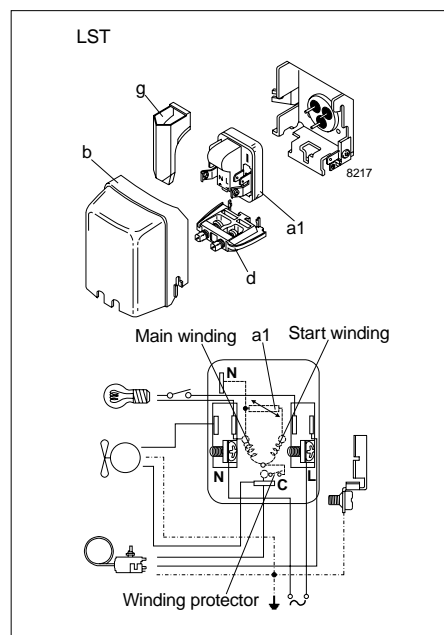
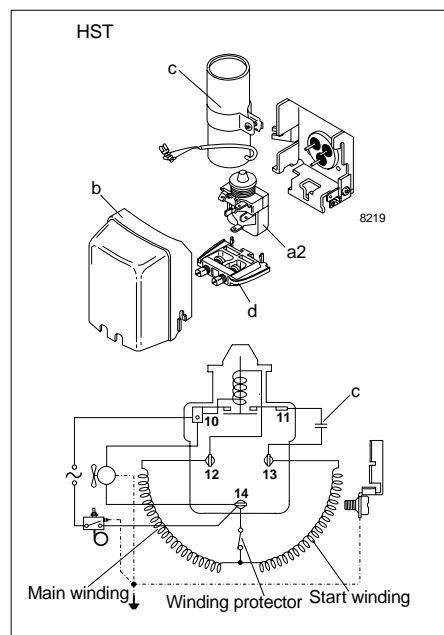
**COP (ASHRAE)**

Comp. °C	-35	-30	-25	-23.3	-20	-15	-10
NL9FT	0.84	1.01	1.17	1.23	1.34	1.52	1.72

Test conditions	EN 12900/CECOMAF	ASHRAE
Condensing temperature	55°C	55°C
Ambient and suction gas temp.	32°C	32°C
Liquid temperature	55°C	32°C
Static cooling, 220V 50Hz, PTC consumption incl.		

**Accessories**

Devices	Fig.	NL9FT
PTC starting device	6.3 mm spades 4.8 mm spades	a1
		103N0011 103N0018
Starting relay	a2	117U6015
Cover	b	103N2010
Starting capacitor 80 µF	c	117U5015
Cord relief	d	103N1010
Protection screen for PTC	g	103N0476
Mounting accessories		
Bolt joint for one compressor		118-1917
Bolt joint in quantities		118-1918
Snap-on in quantities		118-1919



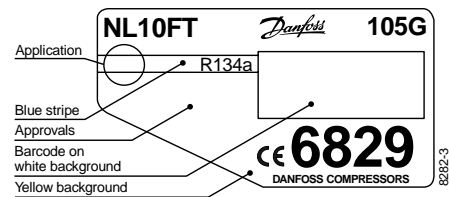
# NL10FT Tropical Compressor R134a 220-240V 50Hz

Data Sheet (Replaces CG.43.11.02)

## General

Compressor	<b>NL10FT</b>
Code number	105G6829
Code number	105G6837*
Code number compressor with oil cooler	105G6839

\* Performance data established on 8.2 mm suction line. Restrictions due to 6.2 mm suction line can affect system performance.



## Application

Application		LBP
Evaporating temperature range	°C	-35 to -10
Voltage range	V/Hz	187 - 254 /50
Motor type		RSIR <sup>*)</sup>
Max. ambient temperature	°C	43
Comp. cooling at ambient temp.	32°C	S
	38°C	O/F <sub>1</sub>
	43°C	O/F <sub>1</sub>

<sup>\*)</sup> In capillary tube systems where non-equalized pressures may occur at compressor start, or in areas with short power supply drop-outs, a starting capacitor can be used for ensuring a successful start (CSIR).

- S = Static cooling normally sufficient
- O = Oil cooling
- F<sub>1</sub> = Fan cooling 1.5 m/s  
(compressor compartment temperature equal to ambient temperature)
- F<sub>2</sub> = Fan cooling 3.0 m/s necessary

## Design

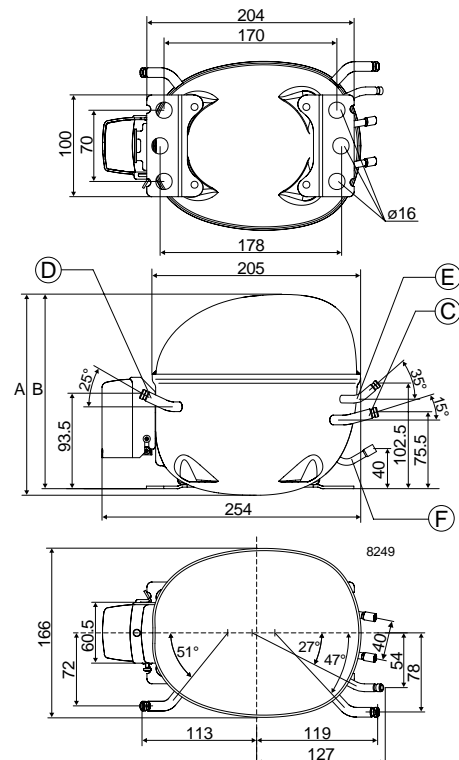
Displacement	cm <sup>3</sup>	10.10
Oil quantity	cm <sup>3</sup>	320
Maximum refrigerant charge	g	400
Free gas vol. in compressor	cm <sup>3</sup>	2360
Weight without electrical equipment	kg	10.5

## Motor

Motor size	watt	235
LRA (rated after 4 sec. UL984) LST/HST	A	9.2/10.4
Cut-in current LST/HST	A	13.6/10.4
Resistance, main and start winding (25°C)	Ω	8.2/14.7
Approvals		EN 60335-2-34, CCIB

## Dimensions

Dimensions		105G6829/39	105G6837
Height	mm	A	203
		B	197
Suction connector	location/I.D. mm	C	8.2 ±0.09
Process connector	location/I.D. mm	D	6.2 ±0.09
Discharge connector	location/I.D. mm	E	6.2 ±0.09
Oil cooler	location/I.D. mm	F	6.2 ±0.09
Compressors on a pallet	pcs.		80



**Capacity (EN 12900/CECOMAF)**

Comp. °C	-35	-30	-25	-23.3	-20	-15	-10
NL10FT	113	158	213	235	281	361	455

**Capacity (ASHRAE)**

Comp. °C	-35	-30	-25	-23.3	-20	-15	-10
NL10FT	138	194	262	289	345	445	561

**Power consumption**

Comp. °C	-35	-30	-25	-23.3	-20	-15	-10
NL10FT	159	184	217	229	254	292	327

**Current consumption**

Comp. °C	-35	-30	-25	-23.3	-20	-15	-10
NL10FT	1.33	1.39	1.48	1.52	1.60	1.74	1.88

**COP (EN 12900/CECOMAF)**

Comp. °C	-35	-30	-25	-23.3	-20	-15	-10
NL10FT	0.71	0.85	0.98	1.02	1.10	1.24	1.39

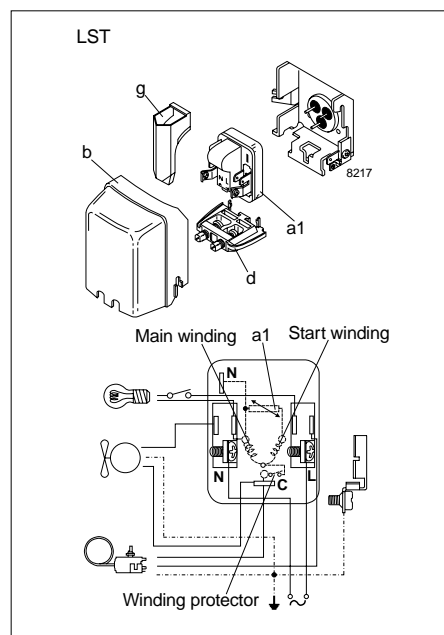
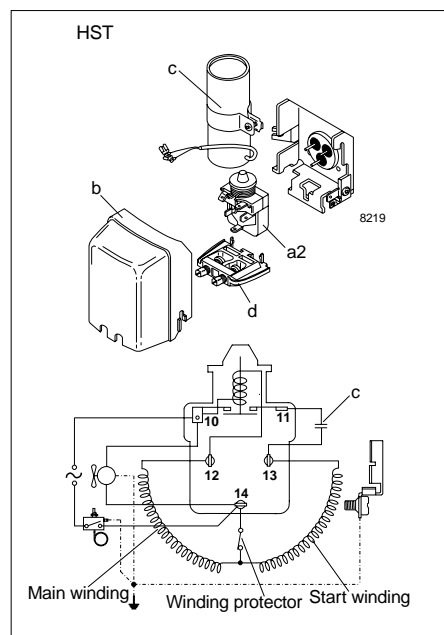
**COP (ASHRAE)**

Comp. °C	-35	-30	-25	-23.3	-20	-15	-10
NL10FT	0.87	1.05	1.21	1.26	1.36	1.52	1.71

Test conditions	EN 12900/CECOMAF	ASHRAE
Condensing temperature	55°C	55°C
Ambient and suction gas temp.	32°C	32°C
Liquid temperature	55°C	32°C
Static cooling, 220V 50Hz, PTC consumption incl.		

**Accessories**

Devices	Fig.	NL10FT
PTC starting device	6.3 mm spades 4.8 mm spades	a1
		103N0011 103N0018
Starting relay	a2	117U6002
Cover	b	103N2010
Starting capacitor 80 µF	c	117U5015
Cord relief	d	103N1010
Protection screen for PTC	g	103N0476
Mounting accessories		
Bolt joint for one compressor		118-1917
Bolt joint in quantities		118-1918
Snap-on in quantities		118-1919



# SC12FT Tropical Compressor R134a 220-240V 50/60Hz

## Data Sheet

### General

Compressor	<b>SC12FT</b>
Code number	104G8205
Code number compressor with oil cooler	104G8215

### Application

Application	LBP	
Evaporating temperature range	°C	-35 to -5
Voltage range	V/Hz	LBP: 187 - 254 /50
		LBP: 198 - 254 /60
Motor type	RSIR/CSIR	
Max. ambient temperature	°C	43
Comp. cooling at ambient temp.	32°C	LBP: O/F <sub>1</sub>
	38°C	LBP: O/F <sub>1</sub>
	43°C	LBP: F <sub>2</sub> *)

\*) O/F<sub>1</sub> possible at 220V nominal (187-242V)

### Design

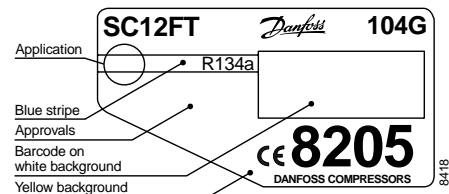
Displacement	cm <sup>3</sup>	12.87
Oil quantity	cm <sup>3</sup>	600 (550 on comp. with oil cooler)
Maximum refrigerant charge	g	1300
Free gas vol. in compressor	cm <sup>3</sup>	1510
Weight without electrical equipment	kg	12.6

### Motor

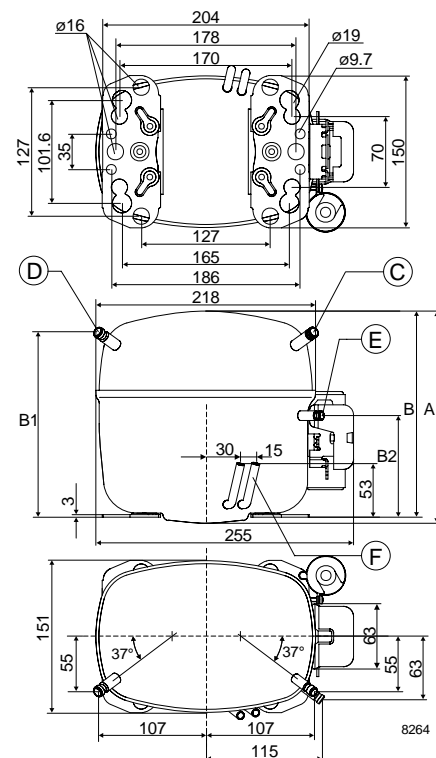
Motor size	watt	315
LRA (rated after 4 sec. UL984) LST/HST	A	12.4/12.6
Cut-in current LST/HST	A	17.2/12.6
Resistance, main and start winding (25°C)	Ω	6.7/11.8
Approvals	EN 60335-2-34	

### Dimensions

Height	mm	A	209
		B	203
		B1	183
		B2	100
Suction connector	location/I.D. mm	C	8.2 ±0.09
Process connector	location/I.D. mm	D	6.2 ±0.09
Discharge connector	location/I.D. mm	E	6.2 ±0.09
Oil cooler	location/I.D. mm	F	6.2 ±0.09
Compressors on a pallet	pcs.		80



- S = Static cooling normally sufficient
- O = Oil cooling
- F<sub>1</sub> = Fan cooling 1.5 m/s  
(compressor compartment temperature equal to ambient temperature)
- F<sub>2</sub> = Fan cooling 3.0 m/s necessary



**Capacity (EN 12900/CECOMAF)**

Evap. temp in °C	-35	-30	-25	-23.3	-20	-15	-10	-5
SC12FT, 50Hz	103	163	233	259	314	408	517	645
SC12FT, 60Hz	125	192	272	302	366	477	608	761

**Capacity (ASHRAE)**

Evap. temp in °C	-35	-30	-25	-23.3	-20	-15	-10	-5
SC12FT, 50Hz	126	201	287	320	387	503	639	798
SC12FT, 60Hz	153	237	336	373	452	589	751	942

**Power consumption**

Evap. temp in °C	-35	-30	-25	-23.3	-20	-15	-10	-5
SC12FT, 50Hz	184	226	265	278	303	341	380	422
SC12FT, 60Hz	193	245	298	316	351	405	458	511

**Current consumption**

Evap. temp in °C	-35	-30	-25	-23.3	-20	-15	-10	-5
SC12FT, 50Hz	1.84	1.93	2.04	2.08	2.17	2.30	2.45	2.61
SC12FT, 60Hz	1.58	1.75	1.92	1.98	2.10	2.30	2.50	2.71

**COP (EN 12900/CECOMAF)**

Evap. temp in °C	-35	-30	-25	-23.3	-20	-15	-10	-5
SC12FT, 50Hz	0.56	0.72	0.88	0.93	1.03	1.20	1.36	1.53
SC12FT, 60Hz	0.64	0.78	0.91	0.96	1.04	1.18	1.33	1.49

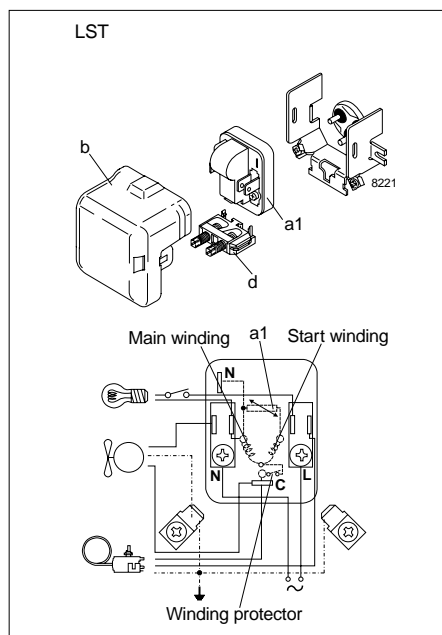
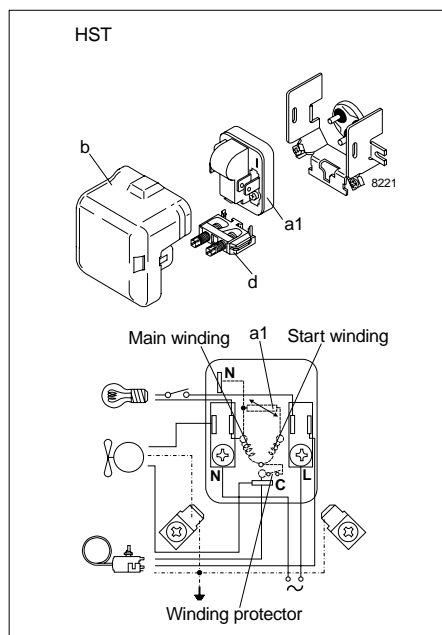
**COP (ASHRAE)**

Evap. temp in °C	-35	-30	-25	-23.3	-20	-15	-10	-5
SC12FT, 50Hz	0.69	0.89	1.08	1.15	1.28	1.48	1.68	1.89
SC12FT, 60Hz	0.79	0.97	1.13	1.18	1.29	1.46	1.64	1.84

Test conditions	EN 12900/CECOMAF	ASHRAE
Condensing temperature	55°C	55°C
Ambient and suction gas temp.	32°C	32°C
Liquid temperature	55°C	32°C
50Hz: Fan cooling F <sub>2</sub> , 220V		
60Hz: Fan cooling F <sub>2</sub> , 220V		

**Accessories**

Devices	Fig.	SC12FT	
PTC starting device	6.3 mm spades	a1	103N0002
Starting relay		a2	117U6003
Cover		b	103N2009
Starting capacitor 80 µF		c	117U5017
Cord relief		d	103N1004
Mounting accessories			
Bolt joint for one compressor			118-1917
Bolt joint in quantities			118-1918
Snap-on in quantities			118-1919





# SC15FT Tropical Compressor R134a 220-240V 50/60Hz

## Data Sheet

### General

Compressor	<b>SC15FT</b>
Code number	104G8505
Code number compressor with oil cooler	104G8515

### Application

Application	LBP	
Evaporating temperature range	°C	-35 to -5
Voltage range	V/Hz	LBP: 187 - 254 /50
		LBP: 198 - 254 /60
Motor type	RSIR/CSIR	
Max. ambient temperature	°C	43
Comp. cooling at ambient temp.	32°C	LBP: O/F <sub>1</sub>
	38°C	LBP: O/F <sub>1</sub>
	43°C	LBP: F <sub>2</sub> *)

\*) O/F<sub>1</sub> possible at 220V nominal (187-242V)

### Design

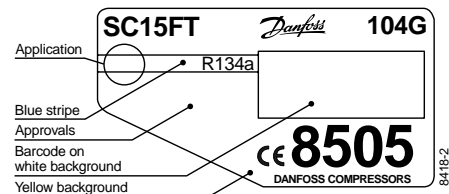
Displacement	cm <sup>3</sup>	15.28
Oil quantity	cm <sup>3</sup>	600 (550 on comp. with oil cooler)
Maximum refrigerant charge	g	1300
Free gas vol. in compressor	cm <sup>3</sup>	1410
Weight without electrical equipment	kg	13.1

### Motor

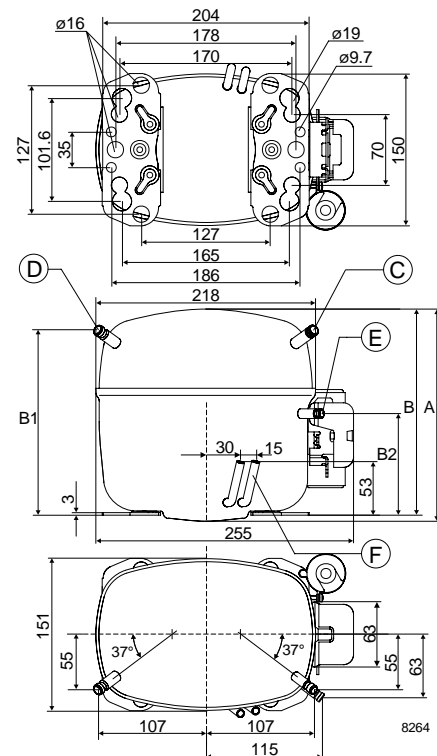
Motor size	watt	385
LRA (rated after 4 sec. UL984) LST/HST	A	15.5/14.8
Cut-in current LST/HST	A	19.9/14.8
Resistance, main and start winding (25°C)	Ω	5.0/13.7
Approvals	EN 60335-2-34	

### Dimensions

Height	mm	A	209
		B	203
		B1	183
		B2	100
Suction connector	location/I.D. mm	C	10.2 ±0.09
Process connector	location/I.D. mm	D	6.2 ±0.09
Discharge connector	location/I.D. mm	E	6.2 ±0.09
Oil cooler	location/I.D. mm	F	6.2 ±0.09
Compressors on a pallet	pcs.		80



- S = Static cooling normally sufficient
- O = Oil cooling
- F<sub>1</sub> = Fan cooling 1.5 m/s  
(compressor compartment temperature equal to ambient temperature)
- F<sub>2</sub> = Fan cooling 3.0 m/s necessary



**Capacity (EN 12900/CECOMAF)**

Evap. temp in °C	-35	-30	-25	-23.3	-20	-15	-10	-5
SC15FT, 50Hz	126	197	280	311	376	489	620	772
SC15FT, 60Hz	154	235	330	365	441	571	724	904

**Capacity (ASHRAE)**

Evap. temp in °C	-35	-30	-25	-23.3	-20	-15	-10	-5
SC15FT, 50Hz	155	243	345	384	465	604	766	955
SC15FT, 60Hz	189	290	407	451	544	705	895	1118

**Power consumption**

Evap. temp in °C	-35	-30	-25	-23.3	-20	-15	-10	-5
SC15FT, 50Hz	223	267	311	326	356	403	451	500
SC15FT, 60Hz	231	294	356	377	418	478	537	596

**Current consumption**

Evap. temp in °C	-35	-30	-25	-23.3	-20	-15	-10	-5
SC15FT, 50Hz	2.22	2.31	2.42	2.46	2.54	2.69	2.86	3.05
SC15FT, 60Hz	1.87	2.07	2.27	2.34	2.48	2.70	2.93	3.16

**COP (EN 12900/CECOMAF)**

Evap. temp in °C	-35	-30	-25	-23.3	-20	-15	-10	-5
SC15FT, 50Hz	0.56	0.74	0.90	0.95	1.06	1.21	1.38	1.54
SC15FT, 60Hz	0.66	0.80	0.92	0.97	1.05	1.19	1.35	1.52

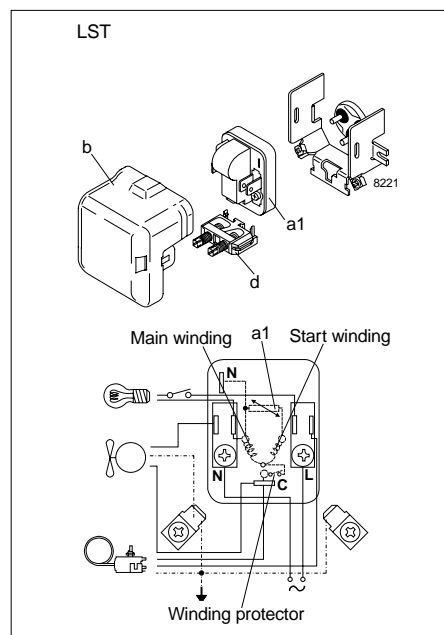
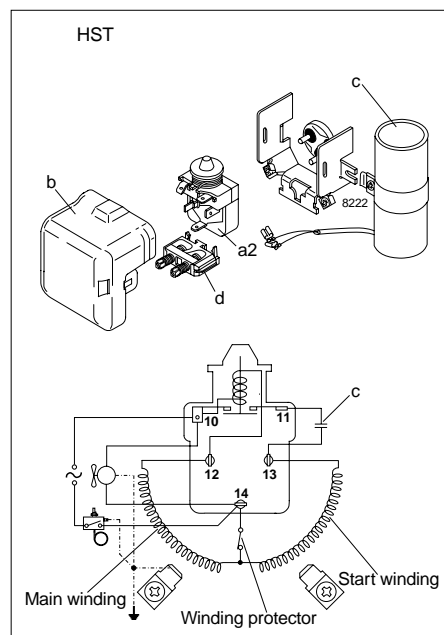
**COP (ASHRAE)**

Evap. temp in °C	-35	-30	-25	-23.3	-20	-15	-10	-5
SC15FT, 50Hz	0.70	0.91	1.11	1.18	1.30	1.50	1.70	1.91
SC15FT, 60Hz	0.82	0.98	1.14	1.19	1.30	1.48	1.67	1.88

Test conditions	EN 12900/CECOMAF	ASHRAE
Condensing temperature	55°C	55°C
Ambient and suction gas temp.	32°C	32°C
Liquid temperature	55°C	32°C
50Hz: Fan cooling F <sub>2</sub> , 220V		
60Hz: Fan cooling F <sub>2</sub> , 220V		

**Accessories**

Devices	Fig.	SC15FT	
PTC starting device	6.3 mm spades	a1	103N0002
Starting relay		a2	117U6005
Cover		b	103N2009
Starting capacitor 80 µF		c	117U5017
Cord relief		d	103N1004
Mounting accessories			
Bolt joint for one compressor			118-1917
Bolt joint in quantities			118-1918
Snap-on in quantities			118-1919



# SC18FTX Tropical Compressor R134a 220-240V 50/60Hz

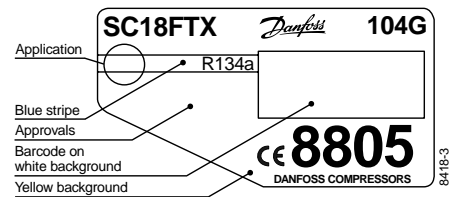
## Data Sheet

### General

Compressor	<b>SC18FTX</b>
Code number	104G8805

### Application

Application		LBP
Evaporating temperature range	°C	-35 to -5
Voltage range	V/Hz	LBP: 187 - 254 /50
		LBP: 198 - 254 /60
Motor type		CSIR
Max. ambient temperature	°C	43
Comp. cooling at ambient temp.	32°C	LBP: F <sub>2</sub>
	38°C	LBP: F <sub>2</sub>
	43°C	LBP: F <sub>2</sub>



- S = Static cooling normally sufficient
- O = Oil cooling
- F<sub>1</sub> = Fan cooling 1.5 m/s  
(compressor compartment temperature equal to ambient temperature)
- F<sub>2</sub> = Fan cooling 3.0 m/s necessary

### Design

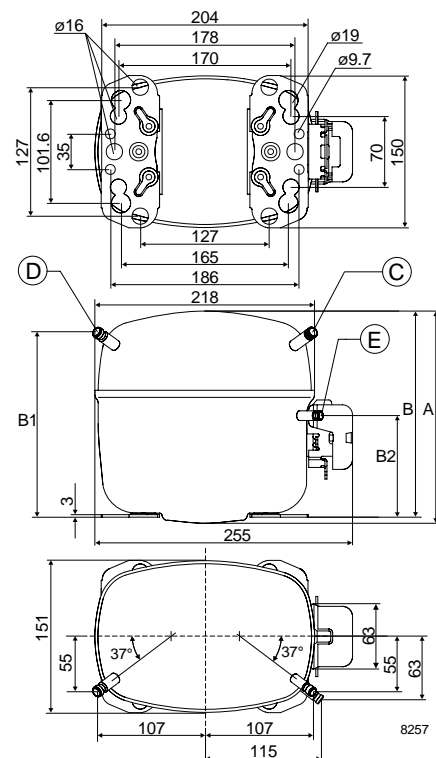
Displacement	cm <sup>3</sup>	17.69
Oil quantity	cm <sup>3</sup>	600
Maximum refrigerant charge	g	1300
Free gas vol. in compressor	cm <sup>3</sup>	1460
Weight without electrical equipment	kg	13.7

### Motor

Motor size	watt	495
LRA (rated after 4 sec. UL984) HST	A	18.6
Cut-in current HST	A	18.6
Resistance, main and start winding (25°C)	Ω	3.7/14.1
Approvals		EN 60335-2-34

### Dimensions

Height	mm	A	219
		B	213
		B1	193
		B2	110
Suction connector	location/I.D. mm	C	10.2 ±0.09
Process connector	location/I.D. mm	D	6.2 ±0.09
Discharge connector	location/I.D. mm	E	6.2 ±0.09
Compressors on a pallet	pcs.		80



**Capacity (EN 12900/CECOMAF)**

Evap. temp in °C	-35	-30	-25	-23.3	-20	-15	-10	-5
SC18FTX, 50Hz	144	229	325	361	437	567	719	896
SC18FTX, 60Hz	187	280	390	432	520	675	857	1071

**watt**
**Capacity (ASHRAE)**

Evap. temp in °C	-35	-30	-25	-23.3	-20	-15	-10	-5
SC18FTX, 50Hz	178	282	401	445	539	700	889	1108
SC18FTX, 60Hz	230	345	481	532	642	834	1060	1326

**watt**
**Power consumption**

Evap. temp in °C	-35	-30	-25	-23.3	-20	-15	-10	-5
SC18FTX, 50Hz	257	313	365	383	416	466	517	571
SC18FTX, 60Hz	274	348	420	444	489	557	622	686

**watt**
**Current consumption**

Evap. temp in °C	-35	-30	-25	-23.3	-20	-15	-10	-5
SC18FTX, 50Hz	2.52	2.69	2.87	2.94	3.07	3.27	3.49	3.72
SC18FTX, 60Hz	2.05	2.36	2.66	2.77	2.97	3.28	3.59	3.90

**A**
**COP (EN 12900/CECOMAF)**

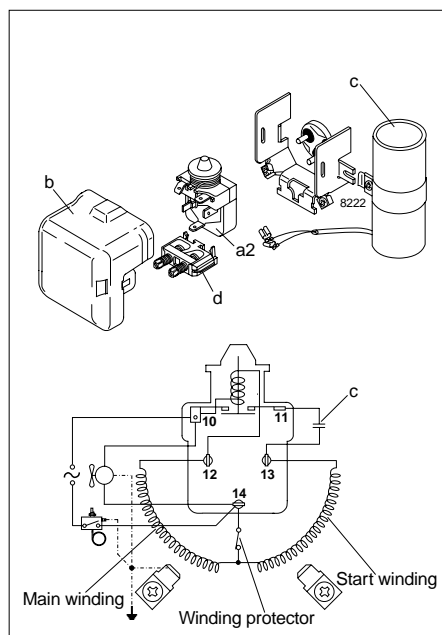
Evap. temp in °C	-35	-30	-25	-23.3	-20	-15	-10	-5
SC18FTX, 50Hz	0.56	0.73	0.89	0.94	1.05	1.22	1.39	1.57
SC18FTX, 60Hz	0.68	0.80	0.93	0.97	1.06	1.21	1.38	1.56

**W/W**
**COP (ASHRAE)**

Evap. temp in °C	-35	-30	-25	-23.3	-20	-15	-10	-5
SC18FTX, 50Hz	0.69	0.90	1.10	1.16	1.30	1.50	1.72	1.94
SC18FTX, 60Hz	0.84	0.99	1.15	1.20	1.31	1.50	1.70	1.93

**W/W**

Test conditions	EN 12900/CECOMAF	ASHRAE
Condensing temperature	55°C	55°C
Ambient and suction gas temp.	32°C	32°C
Liquid temperature	55°C	32°C
50Hz: Fan cooling F <sub>2</sub> , 220V		
60Hz: Fan cooling F <sub>2</sub> , 220V		


**Accessories**

Devices	Fig.	SC18FTX
Starting relay	a2	117U6019
Cover	b	103N2009
Starting capacitor 80 µF	c	117U5017
Cord relief	d	103N1004
Mounting accessories		
Bolt joint for one compressor		118-1917
Bolt joint in quantities		118-1918
Snap-on in quantities		118-1919

# SC21FTX Tropical Compressor R134a 220-240V 50/60Hz

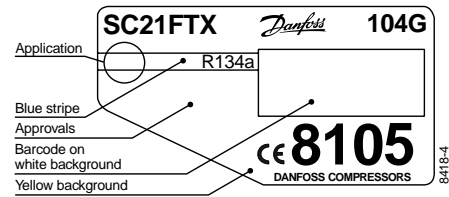
## Data Sheet

### General

Compressor	<b>SC21FTX</b>
Code number	104G8105

### Application

Application		LBP
Evaporating temperature range	°C	-35 to -5
Voltage range	V/Hz	LBP: 187 - 254 /50 LBP: 198 - 254 /60
Motor type		CSIR/CSR
Max. ambient temperature	°C	43
Comp. cooling at ambient temp.	32°C	LBP: F <sub>2</sub>
	38°C	LBP: F <sub>2</sub>
	43°C	LBP: F <sub>2</sub>



- S = Static cooling normally sufficient
- O = Oil cooling
- F<sub>1</sub> = Fan cooling 1.5 m/s  
(compressor compartment temperature equal to ambient temperature)
- F<sub>2</sub> = Fan cooling 3.0 m/s necessary

### Design

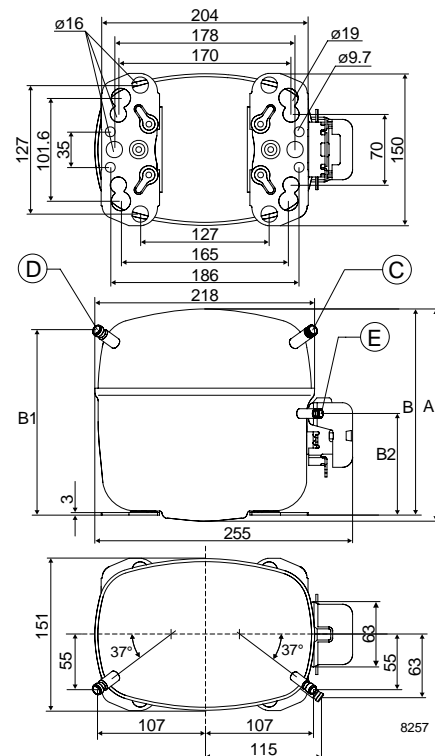
Displacement	cm <sup>3</sup>	20.95
Oil quantity	cm <sup>3</sup>	600
Maximum refrigerant charge	g	1300
Free gas vol. in compressor	cm <sup>3</sup>	1460
Weight without electrical equipment	kg	13.5

### Motor

Motor size	watt	550
LRA (rated after 4 sec. UL984) HST	A	21.8
Cut-in current HST	A	21.8
Resistance, main and start winding (25°C)	Ω	3.3/19.0
Approvals		EN 60335-2-34 pending

### Dimensions

Height	mm	A	219
		B	213
		B1	193
		B2	110
Suction connector	location/I.D. mm	C	10.2 ±0.09
Process connector	location/I.D. mm	D	6.2 ±0.09
Discharge connector	location/I.D. mm	E	6.2 ±0.09
Compressors on a pallet	pcs.		80



**Capacity (EN 12900/CECOMAF)**

Evap. temp. in °C	-35	-30	-25	-23.3	-20	-15	-10	-5
SC21FTX, 50Hz			415	450				
SC21FTX, 60Hz			490	530				

**Capacity (ASHRAE)**

Evap. temp. in °C	-35	-30	-25	-23.3	-20	-15	-10	-5
SC21FTX, 50Hz			510	550				
SC21FTX, 60Hz			600	650				

**Power consumption**

Evap. temp. in °C	-35	-30	-25	-23.3	-20	-15	-10	-5
SC21FTX, 50Hz			445	460				
SC21FTX, 60Hz			485	530				

**Current consumption**

Evap. temp. in °C	-35	-30	-25	-23.3	-20	-15	-10	-5
SC21FTX, 50Hz			3.44	3.56				
SC21FTX, 60Hz			2.33	2.40				

**COP (EN 12900/CECOMAF)**

Evap. temp. in °C	-35	-30	-25	-23.3	-20	-15	-10	-5
SC21FTX, 50Hz			0.93	0.98				
SC21FTX, 60Hz			1.01	1.06				

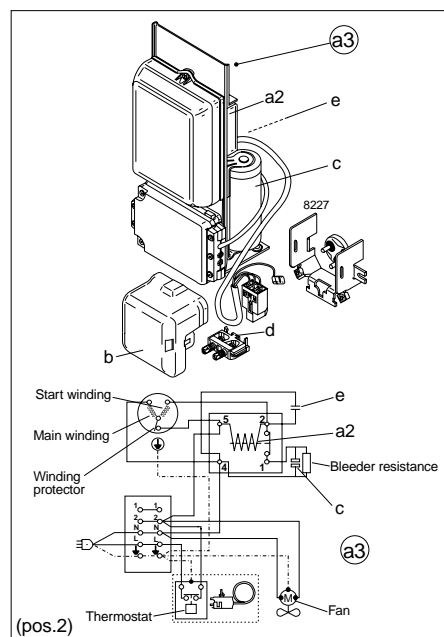
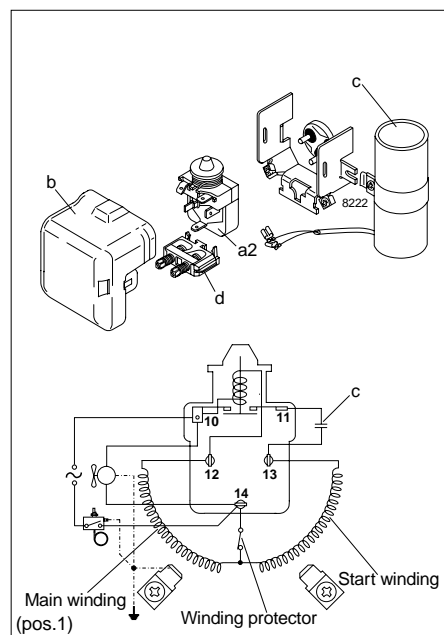
**COP (ASHRAE)**

Evap. temp. in °C	-35	-30	-25	-23.3	-20	-15	-10	-5
SC21FTX, 50Hz			1.14	1.19				
SC21FTX, 60Hz			1.24	1.29				

Test conditions                      EN 12900/CECOMAF                      ASHRAE  
 Condensing temperature            55°C    55°C  
 Ambient and suction gas temp.      32°C    32°C  
 Liquid temperature                    55°C    32°C  
 50Hz: Fan cooling F<sub>2</sub>, 220V  
 60Hz: Fan cooling F<sub>2</sub>, 220V  
 preliminary data

**Accessories**

Devices	Fig.	50Hz (pos.1)
Starting relay	a1	117Uxxxx
Starting capacitor 125 µF	c	117U5018
Devices	Fig.	60Hz (pos.2)
Starting device	a3	117-xxxx (xxx mm cable length) 117-xxxx (xxx mm cable length) 117-xxxx (xxx mm cable length)
Starting relay	a2	Components of starting device
Starting capacitor	c	
Run capacitor	e	
Devices	Fig.	50 & 60Hz (pos.1 & pos.2)
Cover	b	103N2009
Cord relief	d	103N1004
Mounting accessories		
Bolt joint for one compressor		118-1917
Bolt joint in quantities		118-1918
Snap-on in quantities		118-1919



# NLE9FT

## Energy-optimized Tropical Compressor

### R134a

### 220-240V 50Hz

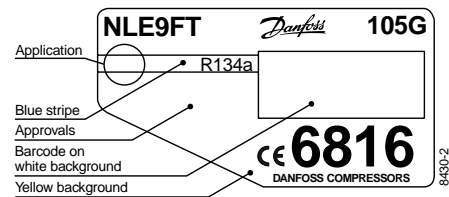
#### Data Sheet

#### General

Compressor	<b>NLE9FT</b>
Code number	105G6816

#### Application

Application		LBP
Evaporating temperature range	°C	-35 to -10
Voltage range	V/Hz	187 - 254 /50
Motor type		RSIR
Max. ambient temperature	°C	43
Comp. cooling at ambient temp.	32°C	S
	38°C	S
	43°C	S



- S = Static cooling normally sufficient
- O = Oil cooling
- F<sub>1</sub> = Fan cooling 1.5 m/s  
(compressor compartment temperature equal to ambient temperature)
- F<sub>2</sub> = Fan cooling 3.0 m/s necessary

#### Design

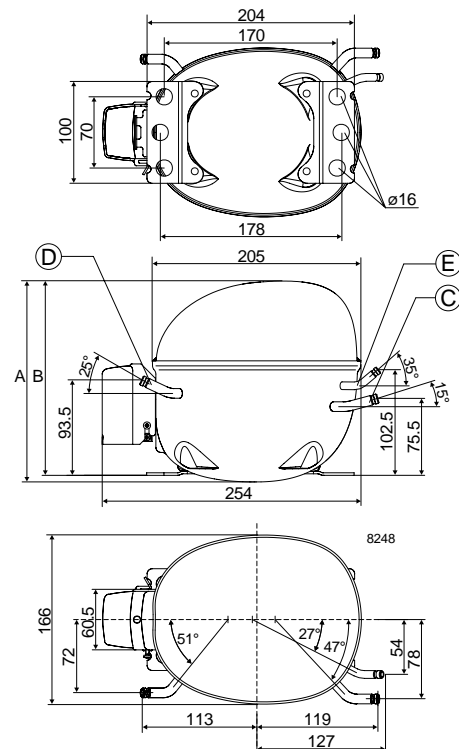
Displacement	cm <sup>3</sup>	8.35
Oil quantity	cm <sup>3</sup>	320
Maximum refrigerant charge	g	400
Free gas vol. in compressor	cm <sup>3</sup>	2360
Weight without electrical equipment	kg	10.0

#### Motor

Motor size	watt	234
LRA (rated after 4 sec. UL984) LST	A	8.4
Cut-in current LST	A	13.1
Resistance, main and start winding (25°C)	Ω	9.0/12.0
Approvals		EN 60335-2-34 pending

#### Dimensions

Height	mm	A	203
		B	197
Suction connector	location/I.D. mm	C	6.2 ±0.09
Process connector	location/I.D. mm	D	6.2 ±0.09
Discharge connector	location/I.D. mm	E	5.0 +0.12/+0.20
Compressors on a pallet	pcs.		80



**Capacity (EN 12900/CECOMAF) watt**

Comp. °C	-35	-30	-25	-23.3	-20	-15	-10
NLE9FT			180	197			

**Capacity (ASHRAE) watt**

Comp. °C	-35	-30	-25	-23.3	-20	-15	-10
NLE9FT			224	245			

**Power consumption watt**

Comp. °C	-35	-30	-25	-23.3	-20	-15	-10
NLE9FT			163	173			

**Current consumption A**

Comp. °C	-35	-30	-25	-23.3	-20	-15	-10
NLE9FT			1.20	1.25			

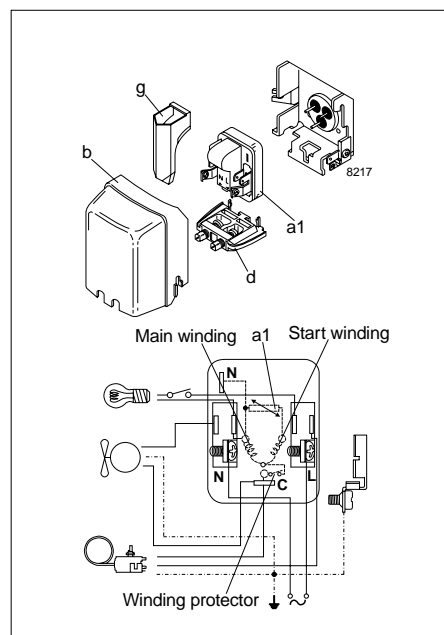
**COP (EN 12900/CECOMAF) W/W**

Comp. °C	-35	-30	-25	-23.3	-20	-15	-10
NLE9FT			1.10	1.14			

**COP (ASHRAE) W/W**

Comp. °C	-35	-30	-25	-23.3	-20	-15	-10
NLE9FT			1.37	1.42			

Test conditions EN 12900/CECOMAF ASHRAE  
 Condensing temperature 55°C 55°C  
 Ambient and suction gas temp. 32°C 32°C  
 Liquid temperature 55°C 32°C  
 Static cooling, 220V 50Hz,  
 PTC consumption incl.,  
 preliminary data



**Accessories**

Devices	Fig.	NLE9FT
PTC starting device 6.3 mm spades 4.8 mm spades	a1	103N0011
		103N0018
Cover	b	103N2010
Cord relief	d	103N1010
Protection screen for PTC	g	103N0476
Mounting accessories		
Bolt joint for one compressor		118-1917
Bolt joint in quantities		118-1918
Snap-on in quantities		118-1919



# PL35G Universal Compressor R134a 220-240V 50Hz

Data Sheet (Replaces CD.41.C6.02)

## General

Compressor	<b>PL35G</b>
Code number	101G0250
Code number (UL-recognized)	101G0251

## Application

Application		MBP/HBP
Evaporating temperature range	°C	-25 to 15
Voltage range	V/Hz	MBP: 198 - 254 /50
		MBP: 198 - 254 /60
		HBP: 198 - 254 /50
Motor type		RSIR/CSIR
Max. ambient temperature	°C	38
Comp. cooling at ambient temp.	32°C	F <sub>2</sub>
	38°C	F <sub>2</sub>

## Design

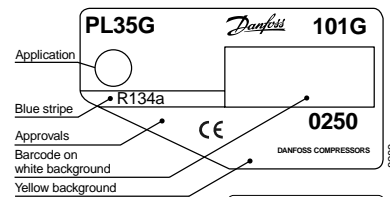
Displacement	cm <sup>3</sup>	2.00
Oil quantity	cm <sup>3</sup>	150
Maximum refrigerant charge	g	300
Free gas vol. in compressor	cm <sup>3</sup>	850
Weight without electrical equipment	kg	4.3

## Motor

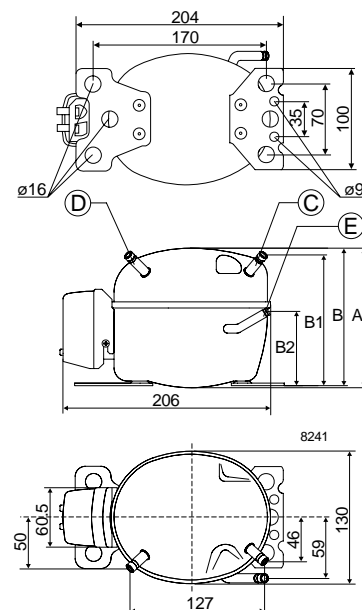
Motor size	watt	54
LRA (rated after 4 sec. UL984) LST/HST	A	2.1/4.2
Cut-in current LST/HST	A	6.6/4.2
Resistance, main and start winding (25°C)	Ω	38.0/14.0
Approvals (101G0250)		EN 60335-2-34
Approvals (101G0251)		UL984/CSA-C22.2, EN 60335-2-34

## Dimensions

		101G0250	101G0251
Height	mm	A	137
		B	135
		B1	128
		B2	73
Suction connector	location/I.D. mm	C 6.2 ±0.09	6.5 ±0.09
Process connector	location/I.D. mm	D 6.2 ±0.09	6.5 ±0.09
Discharge connector	location/I.D. mm	E 5.0+0.12+0.20	5.0+0.12+0.20
Compressors on a pallet	pcs.	150	



- S = Static cooling normally sufficient
- O = Oil cooling
- F<sub>1</sub> = Fan cooling 1.5 m/s  
(compressor compartment temperature equal to ambient temperature)
- F<sub>2</sub> = Fan cooling 3.0 m/s necessary



**Capacity (EN 12900/CECOMAF)**
**watt**

Evap. temp in °C	-25	-23.3	-20	-15	-10	-5	0	5	7.2	10	15
PL35G, 50Hz	28.0	31.6	39.3	53.0	69.4	89.0	112	140	153	172	209
PL35G, 60Hz	34.0	38.5	47.9	63.8	82.3	104	129				

**Capacity (ASHRAE)**
**watt**

Evap. temp in °C	-25	-23.3	-20	-15	-10	-5	0	5	7.2	10	15
PL35G, 50Hz	34.5	39.0	48.5	65.4	85.8	110	139	173	190	213	260
PL35G, 60Hz	42.0	47.5	59.1	78.8	102	128	159				

**Power consumption**
**watt**

Evap. temp in °C	-25	-23.3	-20	-15	-10	-5	0	5	7.2	10	15
PL35G, 50Hz	48.0	49.6	53.2	59.5	66.6	74.3	82.2	90.0	93.4	97.5	104
PL35G, 60Hz	51.5	54.8	61.0	70.2	79.1	87.8	96.4				

**Current consumption**
**A**

Evap. temp in °C	-25	-23.3	-20	-15	-10	-5	0	5	7.2	10	15
PL35G, 50Hz	0.46	0.47	0.48	0.50	0.52	0.54	0.57	0.59	0.61	0.63	0.66
PL35G, 60Hz	0.43	0.43	0.44	0.45	0.47	0.49	0.51				

**COP (EN 12900/CECOMAF)**
**W/W**

Evap. temp in °C	-25	-23.3	-20	-15	-10	-5	0	5	7.2	10	15
PL35G, 50Hz	0.58	0.64	0.74	0.89	1.04	1.20	1.37	1.55	1.64	1.76	2.00
PL35G, 60Hz	0.66	0.70	0.78	0.91	1.04	1.18	1.33				

**COP (ASHRAE)**
**W/W**

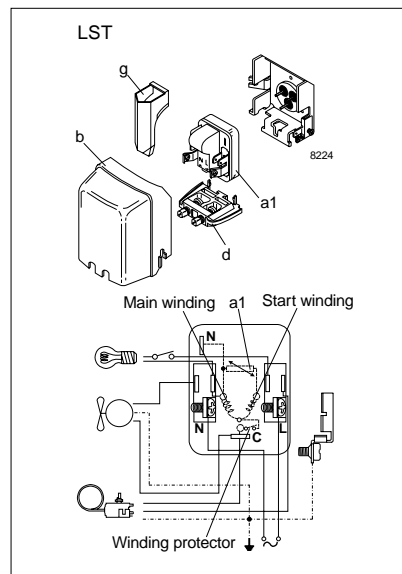
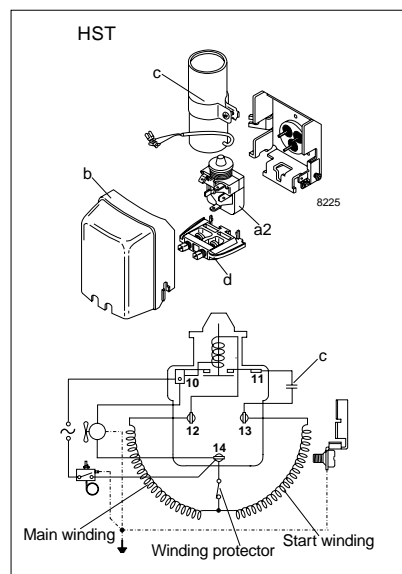
Evap. temp in °C	-25	-23.3	-20	-15	-10	-5	0	5	7.2	10	15
PL35G, 50Hz	0.72	0.79	0.91	1.10	1.29	1.48	1.69	1.93	2.04	2.19	2.49
PL35G, 60Hz	0.82	0.87	0.97	1.12	1.29	1.46	1.65				

Test conditions  
 Condensing temperature 55°C  
 Ambient and suction gas temp. 32°C  
 Liquid temperature 55°C  
 50Hz: Fan cooling F<sub>2</sub>, 220V  
 60Hz: Fan cooling F<sub>2</sub>, 220V

EN 12900/CECOMAF ASHRAE  
 55°C 55°C  
 32°C 32°C  
 55°C 32°C

**Accessories**

Devices	Fig.	PL35G
PTC starting device	6.3 mm spades	103N0011
	4.8 mm spades	103N0018
Starting relay	a2	117U6021
Cover	b	103N0491
Starting capacitor 60 µF	c	117U5014
Cord relief	d	103N1010
Protection screen for PTC	g	103N0476
Mounting accessories		
Bolt joint for one compressor		118-1917
Bolt joint in quantities		118-1918
Snap-on in quantities		118-1919



# TL2.5G Universal Compressor R134a 220-240V 50/60Hz

Data Sheet

## General

Compressor		TL2.5G
Connector-material	Sealing	Code number
Copper-plated steel	Aluminium caps	
Copper-plated steel	Rubber plugs	102G4250
Copper	Rubber plugs	

## Application

Application		LBP/HBP
Evaporating temperature range	°F (°C)	-31 to 59 (-35 to 15)
Voltage range	V/Hz	LBP: 187 - 254 /50
		HBP: 198 - 254 /50
		LBP: 198 - 254 /60
		HBP: 207 - 254 /60
Motor type		RSIR/CSIR
Max. ambient temperature	°F (°C)	110 (43)
Comp. cooling at		
max. ambient temperature	100°F (38°C)	LBP/HBP: S
	110°F (43°C)	LBP: S
		HBP: F <sub>2</sub>

## Design

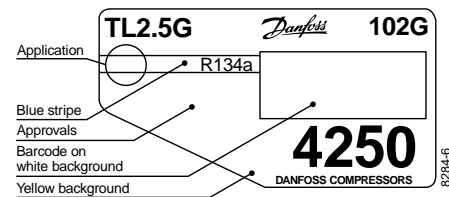
Displacement	cu.in. (cm <sup>3</sup> )	0.16 (2.61)
Oil quantity	fl.oz. (cm <sup>3</sup> )	9.5 (280)
Maximum refrigerant charge	oz. (g)	14.0 (400)
Free gas vol. in compressor housing	fl.oz. (cm <sup>3</sup> )	54.3 (1600)
Weight without electrical equipment	lbs. (kg)	14.7 (6.7)

## Motor

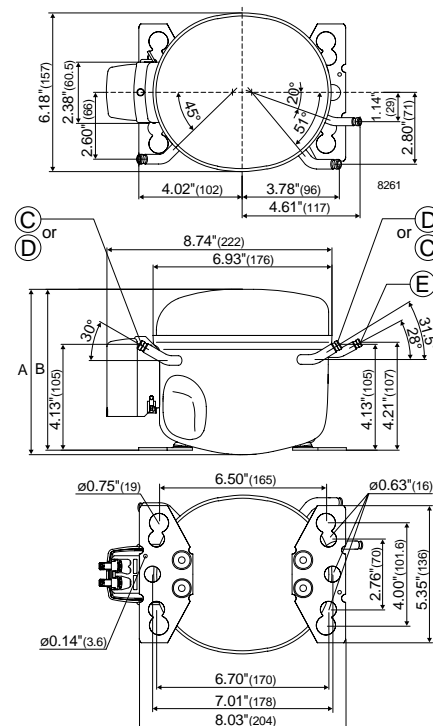
Motor size	watt	75
LRA (rated after 4 sec.UL984) LST	A	2.8/4.5
Cut-in current LST	A	7.5/4.5
Resistance, main and start winding (77°F) Ω		31.5/15.0
Approvals		EN 60335-2-34

## Dimensions

Height	in. (mm)	A	6.42 (163)
		B	6.30 (159)
Suction connector	location/I.D. in. (mm)	C	0.252-0.259 (6.5±0.09)
Process connector	location/I.D. in. (mm)	D	0.252-0.259 (6.5±0.09)
Discharge connector	location/I.D. in. (mm)	E	0.189-0.193 (4.9+0.10/-0)
Compressors on a pallet	pcs.		125



- S = Static cooling normally sufficient
- O = Oil cooling
- F<sub>1</sub> = Fan cooling 1.5 m/s (compressor compartment temperature equal to ambient temperature)
- F<sub>2</sub> = Fan cooling 3.0 m/s necessary



**Capacity at LBP conditions (ASHRAE)**
**Btu/h**

Evap. temp. in °F	-30	-20	-13	-10	0	10	20	30	40	41	45	50	59
Evap. temp. in °C	-34.4	-28.9	-25	-23.3	-17.8	-12.2	-6.7	-1.1	4.4	5	7.2	10	15
TL2.5G, 50Hz			151	173						755			
TL2.5G, 60Hz			176	202						872			

**Capacity (EN 12900/CECOMAF)**
**watt**

Evap. temp. in °C	-34.4	-28.9	-25	-23.3	-17.8	-12.2	-6.7	-1.1	4.4	5	7.2	10	15
Evap. temp. in °F	-30	-20	-13	-10	0	10	20	30	40	41	45	50	59
TL2.5G, 50Hz			36	41						180			
TL2.5G, 60Hz			42	48						208			

**Power consumption**
**watt**

Evap. temp. in °F	-30	-20	-13	-10	0	10	20	30	40	41	45	50	59
Evap. temp. in °C	-34.4	-28.9	-25	-23.3	-17.8	-12.2	-6.7	-1.1	4.4	5	7.2	10	15
TL2.5G, 50Hz			60	63						112			
TL2.5G, 60Hz			67	71						130			

**Current consumption**
**A**

Evap. temp. in °F	-30	-20	-13	-10	0	10	20	30	40	41	45	50	59
Evap. temp. in °C	-34.4	-28.9	-25	-23.3	-17.8	-12.2	-6.7	-1.1	4.4	5	7.2	10	15
TL2.5G, 50Hz			0.50	0.51						0.63			
TL2.5G, 60Hz			0.48	0.49						0.62			

**EER at LBP conditions (ASHRAE)**
**Btu/Wh**

Evap. temp. in °F	-30	-20	-13	-10	0	10	20	30	40	41	45	50	59
Evap. temp. in °C	-34.4	-28.9	-25	-23.3	-17.8	-12.2	-6.7	-1.1	4.4	5	7.2	10	15
TL2.5G, 50Hz			2.51	2.74						6.74			
TL2.5G, 60Hz			2.62	2.84						6.70			

**COP (EN 12900/CECOMAF)**
**W/W**

Evap. temp. in °C	-34.4	-28.9	-25	-23.3	-17.8	-12.2	-6.7	-1.1	4.4	5	7.2	10	15
Evap. temp. in °F	-30	-20	-13	-10	0	10	20	30	40	41	45	50	59
TL2.5G, 50Hz			0.60	0.65						1.61			
TL2.5G, 60Hz			0.63	0.68						1.60			

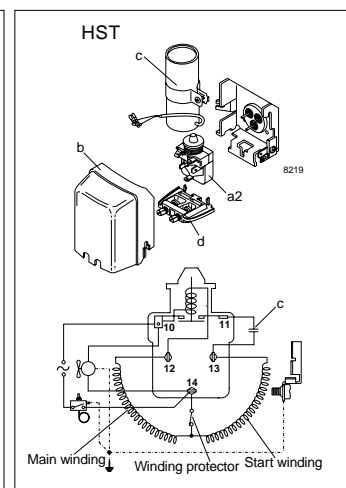
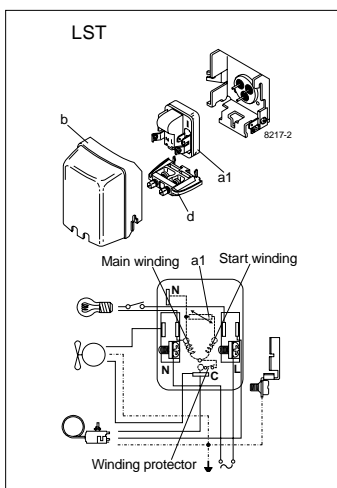
Test conditions

	ASHRAE	EN 12900/CECOMAF
Condensing temperature	130°F (54.4°C)	55°C (131°F)
Ambient and suction gas temp.	90°F (32°C)	32°C (90°F)
Liquid temperature	90°F (32°C)	55°C (131°F)

50Hz: Static cooling, 220V  
60 Hz: Static cooling, 220V  
preliminary data

**Accessories**

Devices	Fig.	TL2.5G
PTC starting device 1/4 in. (6.3 mm) spades 3/16 in. (4.8 mm) spades	a1	103N0011 103N0018
Starting relay	a2	117U6007
Cover	b	103N2010
Starting capacitor 60 µF	c	117U5014
Cord relief	d	103N1010
Mounting accessories	Ø in. (mm)	
Bolt joint for one compressor	5/8 (16)	118-1945
Bolt joint in quantities	5/8 (16)	118-1948
Snap-on in quantities	5/8 (16)	118-1944



# TL3G Universal Compressor R134a 220-240V 50Hz

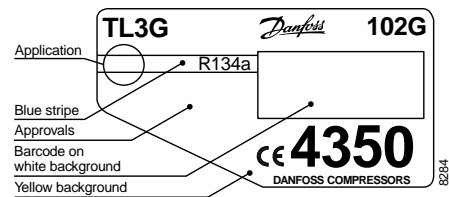
Data Sheet (Replaces CD.42.J5.02)

## General

Compressor	<b>TL3G</b>
Code number	102G4350
Code number (UL-recognized)	102G4351

## Application

Application		LBP/HBP
Evaporating temperature range	°C	-30 to 15
Voltage range	V/Hz	LBP: 187 - 254 /50
		LBP: 198 - 254 /60
		HBP: 198 - 254 /50
Motor type		RSIR/CSIR
Max. ambient temperature	°C	43
Comp. cooling at ambient temp.	32°C	LBP: S
		HBP: F <sub>2</sub>
	38°C	LBP: S
		HBP: F <sub>2</sub>
43°C	LBP: S	
	HBP: F <sub>2</sub>	



- S = Static cooling normally sufficient
- O = Oil cooling
- F<sub>1</sub> = Fan cooling 1.5 m/s  
(compressor compartment temperature equal to ambient temperature)
- F<sub>2</sub> = Fan cooling 3.0 m/s necessary

## Design

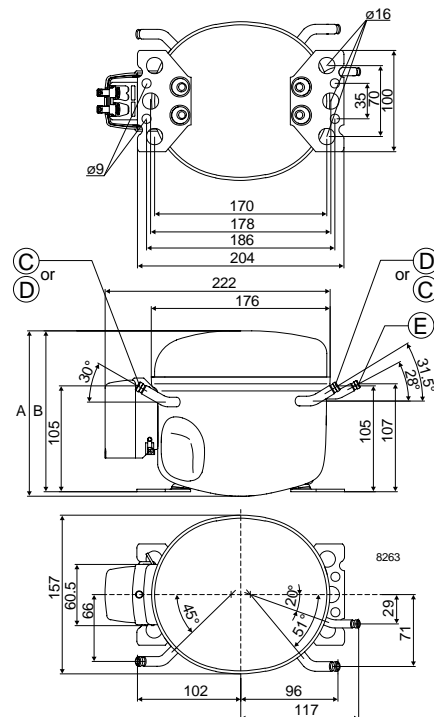
Displacement	cm <sup>3</sup>	3.13
Oil quantity	cm <sup>3</sup>	280
Maximum refrigerant charge	g	400
Free gas vol. in compressor	cm <sup>3</sup>	1500
Weight without electrical equipment	kg	6.8

## Motor

Motor size	watt	95
LRA (rated after 4 sec. UL984) LST/HST	A	3.5/4.9
Cut-in current LST/HST	A	8.0/4.9
Resistance, main and start winding (25°C)	Ω	24.3/15.5
Approvals (102G4350)		EN 60335-2-34
Approvals (102G4351)		UL984/CSA-C22.2, EN 60335-2-34

## Dimensions

Height	mm	A	163
		B	159
Suction connector	location/I.D. mm	C	6.2 ±0.09
Process connector	location/I.D. mm	D	6.2 ±0.09
Discharge connector	location/I.D. mm	E	5.0 +0.12/+0.20
Compressors on a pallet	pcs.		125



**Capacity (EN 12900/CECOMAF)**

Evap. temp in °C	-30	-25	-23.3	-20	-15	-10	-5	0	5	7.2	10	15
TL3G, 50Hz	25.3	40.9	46.7	59.1	80.5	106	136	170	211	231	258	312
TL3G, 60Hz	29.5	47.4	54.3	68.9	94.6	125						

**watt**
**Capacity (ASHRAE)**

Evap. temp in °C	-30	-25	-23.3	-20	-15	-10	-5	0	5	7.2	10	15
TL3G, 50Hz	31.2	50.4	57.7	72.9	99.4	131	168	211	262	287	321	388
TL3G, 60Hz	36.3	58.4	66.9	85.0	117	155						

**watt**
**Power consumption**

Evap. temp in °C	-30	-25	-23.3	-20	-15	-10	-5	0	5	7.2	10	15
TL3G, 50Hz	57.7	65.8	68.8	75.0	85.2	96.2	108	120	133	139	146	159
TL3G, 60Hz	60.0	69.7	73.5	81.0	95.0	111						

**watt**
**Current consumption**

Evap. temp in °C	-30	-25	-23.3	-20	-15	-10	-5	0	5	7.2	10	15
TL3G, 50Hz	0.68	0.70	0.70	0.72	0.74	0.77	0.80	0.84	0.88	0.89	0.92	0.97
TL3G, 60Hz	0.60	0.63	0.64	0.66	0.70	0.74						

**A**
**COP (EN 12900/CECOMAF)**

Evap. temp in °C	-30	-25	-23.3	-20	-15	-10	-5	0	5	7.2	10	15
TL3G, 50Hz	0.44	0.62	0.68	0.79	0.95	1.10	1.26	1.42	1.59	1.67	1.77	1.96
TL3G, 60Hz	0.49	0.68	0.74	0.85	0.99	1.13						

**W/W**
**COP (ASHRAE)**

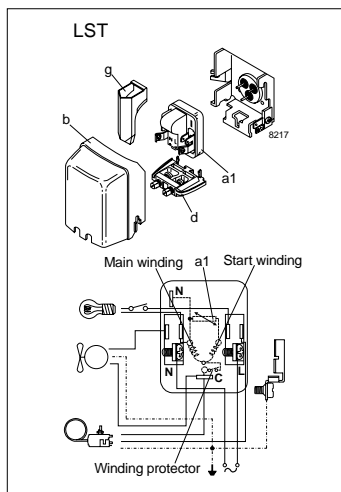
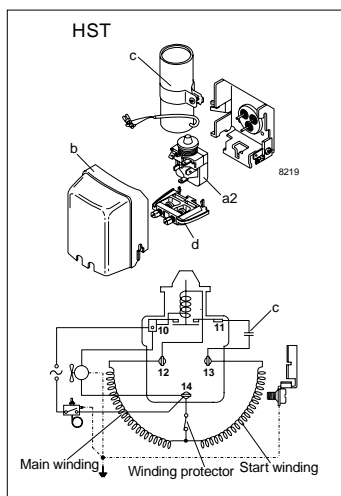
Evap. temp in °C	-30	-25	-23.3	-20	-15	-10	-5	0	5	7.2	10	15
TL3G, 50Hz	0.54	0.77	0.84	0.97	1.17	1.36	1.56	1.76	1.97	2.07	2.20	2.44
TL3G, 60Hz	0.61	0.84	0.91	1.04	1.23	1.39						

**W/W**

Test conditions	EN 12900/CECOMAF	ASHRAE
Condensing temperature	55°C	55°C
Ambient and suction gas temp.	32°C	32°C
Liquid temperature	55°C	32°C
50Hz: Static cooling, 220V		
60Hz: Static cooling, 220V		

**Accessories**

Devices	Fig.	TL3G
PTC starting device 6.3 mm spades 4.8 mm spades	a1	103N0011 103N0018
Starting relay	a2	117U6009
Cover (102G4350)	b	103N2010
Cover (102G4351)	b	103N2011
Starting capacitor 60 µF	c	117U5014
Cord relief	d	103N1010
Protection screen for PTC	g	103N0476
Mounting accessories		
Bolt joint for one compressor		118-1917
Bolt joint in quantities		118-1918
Snap-on in quantities		118-1919





**Capacity (EN 12900/CECOMAF)**

Evap. temp in °C	-30	-25	-23.3	-20	-15	-10	-5	0	5	7.2	10	15
TL4G, 50Hz	40.8	58.3	65.3	80.3	107	140	180	226	280	306	342	413
TL4G, 60Hz	48.4	69.5	77.8	95.7	127	166						

**watt**
**Capacity (ASHRAE)**

Evap. temp in °C	-30	-25	-23.3	-20	-15	-10	-5	0	5	7.2	10	15
TL4G, 50Hz	50.3	71.9	80.5	99.2	133	173	222	280	347	380	425	515
TL4G, 60Hz	59.6	85.8	96.0	118	157	205						

**watt**
**Power consumption**

Evap. temp in °C	-30	-25	-23.3	-20	-15	-10	-5	0	5	7.2	10	15
TL4G, 50Hz	71.7	82.7	86.6	94.2	106	118	130	142	154	159	165	176
TL4G, 60Hz	74.2	86.8	91.6	101	117	135						

**watt**
**Current consumption**

Evap. temp in °C	-30	-25	-23.3	-20	-15	-10	-5	0	5	7.2	10	15
TL4G, 50Hz	0.82	0.84	0.85	0.87	0.90	0.93	0.96	1.00	1.04	1.05	1.08	1.12
TL4G, 60Hz	0.70	0.74	0.76	0.79	0.84	0.90						

**A**
**COP (EN 12900/CECOMAF)**

Evap. temp in °C	-30	-25	-23.3	-20	-15	-10	-5	0	5	7.2	10	15
TL4G, 50Hz	0.57	0.70	0.75	0.85	1.01	1.19	1.38	1.59	1.82	1.93	2.07	2.34
TL4G, 60Hz	0.65	0.80	0.85	0.94	1.09	1.23						

**W/W**
**COP (ASHRAE)**

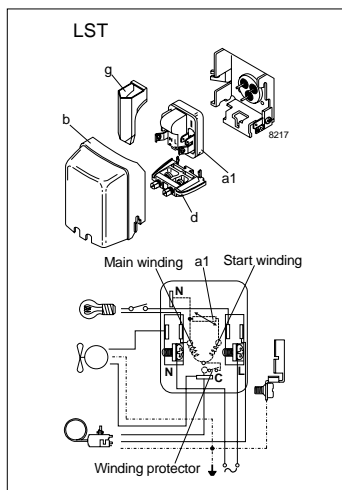
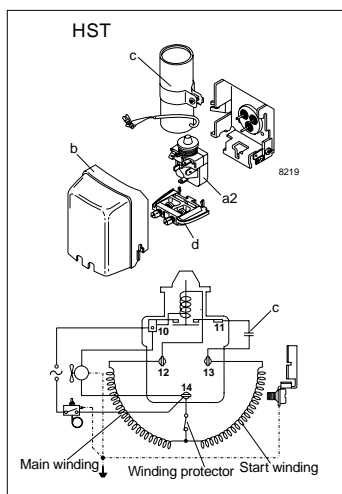
Evap. temp in °C	-30	-25	-23.3	-20	-15	-10	-5	0	5	7.2	10	15
TL4G, 50Hz	0.70	0.87	0.93	1.05	1.25	1.47	1.71	1.97	2.26	2.39	2.57	2.92
TL4G, 60Hz	0.80	0.99	1.05	1.17	1.34	1.52						

**W/W**

Test conditions	EN 12900/CECOMAF	ASHRAE
Condensing temperature	55°C	55°C
Ambient and suction gas temp.	32°C	32°C
Liquid temperature	55°C	32°C
50Hz: Static cooling, 220V		
60Hz: Static cooling, 220V		

**Accessories**

Devices	Fig.	TL4G
PTC starting device 6.3 mm spades 4.8 mm spades	a1	103N0011 103N0018
Starting relay	a2	117U6004
Cover (102G4452)	b	103N2010
Cover (102G4453, 102G4454)	b	103N2011
Starting capacitor 60 µF	c	117U5014
Cord relief	d	103N1010
Protection screen for PTC	g	103N0476
Mounting accessories		
Bolt joint for one compressor		118-1917
Bolt joint in quantities		118-1918
Snap-on in quantities		118-1919





# TL5G Universal Compressor R134a 220-240V 50Hz

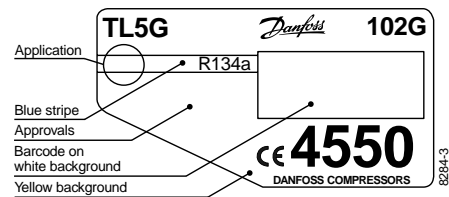
Data Sheet (Replaces CG.42.C1.02)

## General

Compressor	<b>TL5G</b>
Code number	102G4550

## Application

Application		LBP/HBP
Evaporating temperature range	°C	-30 to 15
Voltage range	V/Hz	LBP: 187 - 254 /50
		LBP: 198 - 254 /60
		HBP: 198 - 254 /50
Motor type		RSIR/CSIR
Max. ambient temperature	°C	43
Comp. cooling at ambient temp.	32°C	LBP: S HBP: F <sub>2</sub>
	38°C	LBP: S HBP: F <sub>2</sub>
	43°C	LBP: S HBP: F <sub>2</sub>



- S = Static cooling normally sufficient
- O = Oil cooling
- F<sub>1</sub> = Fan cooling 1.5 m/s  
(compressor compartment temperature equal to ambient temperature)
- F<sub>2</sub> = Fan cooling 3.0 m/s necessary

## Design

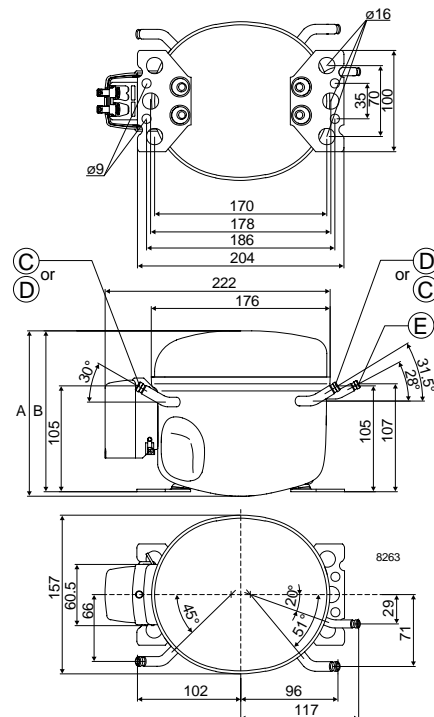
Displacement	cm <sup>3</sup>	5.08
Oil quantity	cm <sup>3</sup>	280
Maximum refrigerant charge	g	400
Free gas vol. in compressor	cm <sup>3</sup>	1690
Weight without electrical equipment	kg	7.5

## Motor

Motor size	watt	140
LRA (rated after 4 sec. UL984) LST/HST	A	5.4/5.7
Cut-in current LST/HST	A	9.7/5.7
Resistance, main and start winding (25°C)	Ω	14.5/14.8
Approvals		EN 60335-2-34

## Dimensions

Height	mm	A	173
		B	169
Suction connector	location/I.D. mm	C	6.2 ±0.09
Process connector	location/I.D. mm	D	6.2 ±0.09
Discharge connector	location/I.D. mm	E	5.0 +0.12/+0.20
Compressors on a pallet	pcs.		125



**Capacity (EN 12900/CECOMAF)**

Evap. temp in °C	-30	-25	-23.3	-20	-15	-10	-5	0	5	7.2	10	15
TL5G, 50Hz	55.6	79.0	87.9	107	139	178	224	278	341	372	414	497
TL5G, 60Hz	64.7	91.5	102	123	162	207						

**watt**
**Capacity (ASHRAE)**

Evap. temp in °C	-30	-25	-23.3	-20	-15	-10	-5	0	5	7.2	10	15
TL5G, 50Hz	68.6	97.5	108	132	172	220	277	345	423	461	514	619
TL5G, 60Hz	79.8	113	125	152	200	256						

**watt**
**Power consumption**

Evap. temp in °C	-30	-25	-23.3	-20	-15	-10	-5	0	5	7.2	10	15
TL5G, 50Hz	84.8	100	105	116	132	149	167	186	205	213	224	245
TL5G, 60Hz	88.7	105.7	112.1	125	147	170						

**watt**
**Current consumption**

Evap. temp in °C	-30	-25	-23.3	-20	-15	-10	-5	0	5	7.2	10	15
TL5G, 50Hz	0.95	0.98	0.99	1.01	1.05	1.09	1.15	1.21	1.28	1.32	1.36	1.45
TL5G, 60Hz	0.83	0.88	0.90	0.94	1.01	1.08						

**A**
**COP (EN 12900/CECOMAF)**

Evap. temp in °C	-30	-25	-23.3	-20	-15	-10	-5	0	5	7.2	10	15
TL5G, 50Hz	0.66	0.79	0.83	0.92	1.05	1.19	1.34	1.50	1.67	1.74	1.84	2.03
TL5G, 60Hz	0.73	0.87	0.91	0.99	1.10	1.22						

**W/W**
**COP (ASHRAE)**

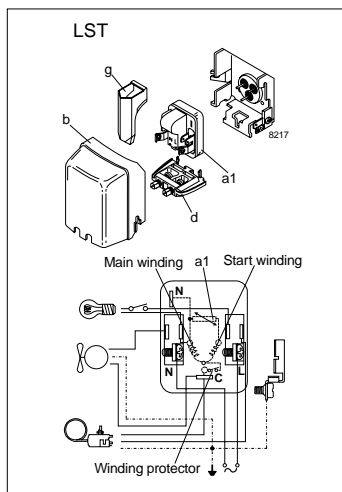
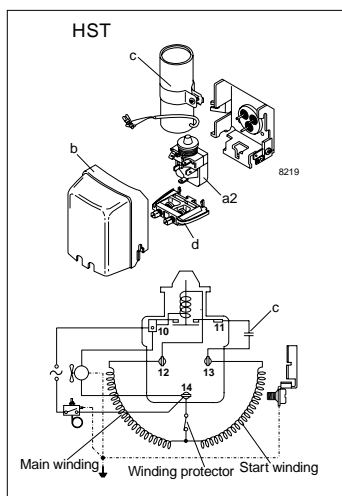
Evap. temp in °C	-30	-25	-23.3	-20	-15	-10	-5	0	5	7.2	10	15
TL5G, 50Hz	0.81	0.97	1.03	1.14	1.30	1.47	1.66	1.86	2.07	2.16	2.29	2.53
TL5G, 60Hz	0.90	1.07	1.12	1.22	1.36	1.51						

**W/W**

Test conditions	EN 12900/CECOMAF	ASHRAE
Condensing temperature	55°C	55°C
Ambient and suction gas temp.	32°C	32°C
Liquid temperature	55°C	32°C
50Hz: Static cooling, 220V		
60Hz: Static cooling, 220V		

**Accessories**

Devices	Fig.	TL5G
PTC starting device 6.3 mm spades 4.8 mm spades	a1	103N0011 103N0018
Starting relay	a2	117U6000
Cover	b	103N2010
Starting capacitor 60 µF	c	117U5014
Cord relief	d	103N1010
Protection screen for PTC	g	103N0476
Mounting accessories		
Bolt joint for one compressor		118-1917
Bolt joint in quantities		118-1918
Snap-on in quantities		118-1919



# FR6G Universal Compressor R134a 220-240V 50Hz

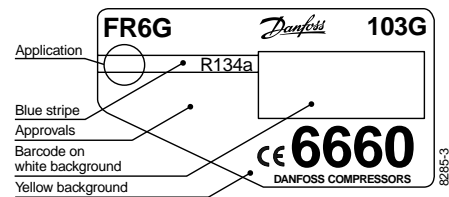
Data Sheet (Replaces CD.43.I5.02)

## General

Compressor	<b>FR6G</b>
Code number	103G6660

## Application

Application		LBP/HBP
Evaporating temperature range	°C	-30 to 10
Voltage range	V/Hz	LBP: 187 - 254 /50
		LBP: 198 - 254 /60
		HBP: 198 - 254 /50
Motor type		RSIR/CSIR
Max. ambient temperature	°C	43
Comp. cooling at ambient temp.	32°C	LBP: S
		HBP: F <sub>2</sub>
	38°C	LBP: S
		HBP: F <sub>2</sub>
43°C	LBP: S	
	HBP: F <sub>2</sub>	



- S = Static cooling normally sufficient
- O = Oil cooling
- F<sub>1</sub> = Fan cooling 1.5 m/s  
(compressor compartment temperature equal to ambient temperature)
- F<sub>2</sub> = Fan cooling 3.0 m/s necessary

## Design

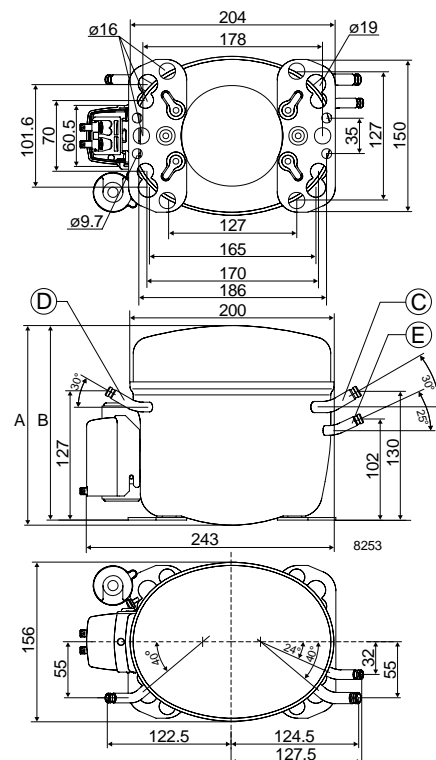
Displacement	cm <sup>3</sup>	6.23
Oil quantity	cm <sup>3</sup>	450
Maximum refrigerant charge	g	900
Free gas vol. in compressor	cm <sup>3</sup>	1350
Weight without electrical equipment	kg	10.6

## Motor

Motor size	watt	150
LRA (rated after 4 sec. UL984) LST/HST	A	5.8/7.5
Cut-in current LST/HST	A	10.5/7.5
Resistance, main and start winding (25°C)	Ω	12.6/12.4
Approvals		EN 60335-2-34

## Dimensions

Height	mm	A	196
		B	191
Suction connector	location/I.D. mm	C	8.2 ±0.09
Process connector	location/I.D. mm	D	6.2 ±0.09
Discharge connector	location/I.D. mm	E	6.2 ±0.09
Compressors on a pallet	pcs.		80



**Capacity (EN 12900/CECOMAF)**

Evap. temp in °C	-30	-25	-23.3	-20	-15	-10	-5	0	5	7.2	10
FR6G, 50Hz	47.7	83.3	96.5	124	171	226	290	365	452	494	552
FR6G, 60Hz	50.6	92.5	108	141	199	266					

**Capacity (ASHRAE)**

Evap. temp in °C	-30	-25	-23.3	-20	-15	-10	-5	0	5	7.2	10
FR6G, 50Hz	58.9	103	119	153	211	279	359	452	561	614	687
FR6G, 60Hz	62.4	114	134	175	246	329					

**Power consumption**

Evap. temp in °C	-30	-25	-23.3	-20	-15	-10	-5	0	5	7.2	10
FR6G, 50Hz	91.3	109	115	129	149	172	194	218	241	251	264
FR6G, 60Hz	94.8	119	127	144	170	197					

**Current consumption**

Evap. temp in °C	-30	-25	-23.3	-20	-15	-10	-5	0	5	7.2	10
FR6G, 50Hz	0.79	0.85	0.87	0.91	0.98	1.06	1.14	1.23	1.33	1.37	1.43
FR6G, 60Hz	0.69	0.77	0.80	0.86	0.97	1.09					

**COP (EN 12900/CECOMAF)**

Evap. temp in °C	-30	-25	-23.3	-20	-15	-10	-5	0	5	7.2	10
FR6G, 50Hz	0.52	0.76	0.84	0.96	1.14	1.32	1.49	1.68	1.88	1.97	2.09
FR6G, 60Hz	0.53	0.78	0.85	0.98	1.17	1.35					

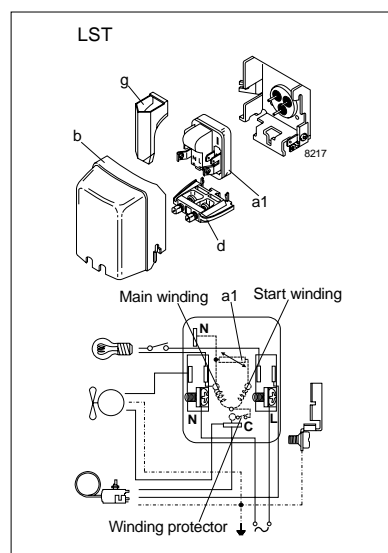
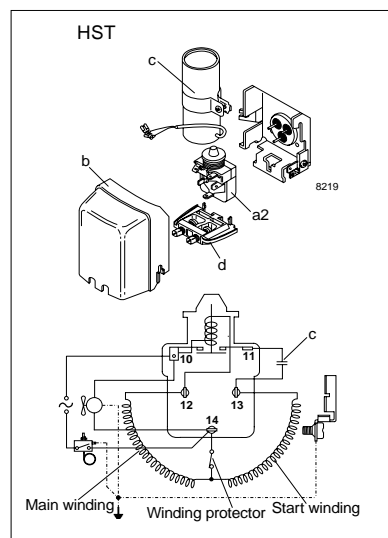
**COP (ASHRAE)**

Evap. temp in °C	-30	-25	-23.3	-20	-15	-10	-5	0	5	7.2	10
FR6G, 50Hz	0.64	0.94	1.03	1.19	1.41	1.63	1.85	2.08	2.33	2.44	2.60
FR6G, 60Hz	0.66	0.96	1.05	1.21	1.44	1.67					

Test conditions EN 12900/CECOMAF ASHRAE  
 Condensing temperature 55°C 55°C  
 Ambient and suction gas temp. 32°C 32°C  
 Liquid temperature 55°C 32°C  
 50Hz: Fan cooling F<sub>2</sub>, 220V  
 60Hz: Fan cooling F<sub>2</sub>, 220V

**Accessories**

Devices	Fig.	FR6G
PTC starting device 6.3 mm spades 4.8 mm spades	a1	103N0011 103N0018
Starting relay	a2	117U6000
Cover	b	103N2010
Starting capacitor 80 µF	c	117U5015
Cord relief	d	103N1010
Protection screen for PTC	g	103N0476
Mounting accessories		
Bolt joint for one compressor		118-1917
Bolt joint in quantities		118-1918
Snap-on in quantities		118-1919





**Capacity (EN 12900/CECOMAF)**

Evap. temp in °C	-30	-25	-23.3	-20	-15	-10	-5	0	5	7.2	10
FR7.5G, 50Hz	61.7	99.0	113	142	193	254	325	408	505	553	618
FR7.5G, 60Hz	66.5	112	130	166	228	300					

**Capacity (ASHRAE)**

Evap. temp in °C	-30	-25	-23.3	-20	-15	-10	-5	0	5	7.2	10
FR7.5G, 50Hz	76.1	122	139	176	239	314	402	506	627	687	768
FR7.5G, 60Hz	82.0	139	160	204	281	371					

**Power consumption**

Evap. temp in °C	-30	-25	-23.3	-20	-15	-10	-5	0	5	7.2	10
FR7.5G, 50Hz	108	126	133	147	170	194	220	246	272	284	298
FR7.5G, 60Hz	110	138	148	167	198	229					

**Current consumption**

Evap. temp in °C	-30	-25	-23.3	-20	-15	-10	-5	0	5	7.2	10
FR7.5G, 50Hz	0.81	0.90	0.93	0.99	1.09	1.19	1.30	1.41	1.52	1.58	1.64
FR7.5G, 60Hz	0.67	0.81	0.85	0.94	1.07	1.19					

**COP (EN 12900/CECOMAF)**

Evap. temp in °C	-30	-25	-23.3	-20	-15	-10	-5	0	5	7.2	10
FR7.5G, 50Hz	0.57	0.79	0.85	0.97	1.14	1.30	1.48	1.66	1.86	1.95	2.07
FR7.5G, 60Hz	0.60	0.81	0.88	0.99	1.15	1.31					

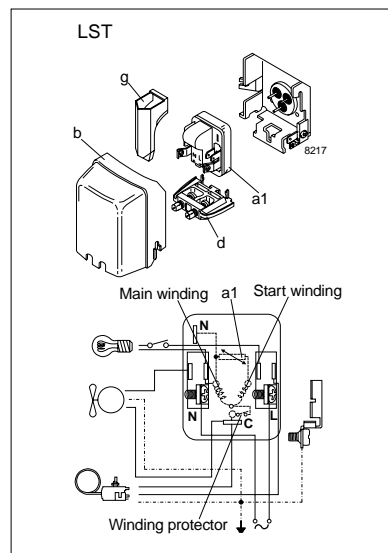
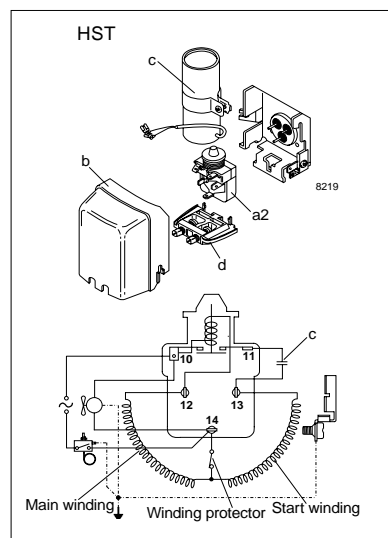
**COP (ASHRAE)**

Evap. temp in °C	-30	-25	-23.3	-20	-15	-10	-5	0	5	7.2	10
FR7.5G, 50Hz	0.71	0.97	1.05	1.20	1.41	1.61	1.83	2.05	2.30	2.42	2.58
FR7.5G, 60Hz	0.74	1.00	1.08	1.22	1.42	1.62					

Test conditions	EN 12900/CECOMAF	ASHRAE
Condensing temperature	55°C	55°C
Ambient and suction gas temp.	32°C	32°C
Liquid temperature	55°C	32°C
50Hz: Fan cooling F <sub>2</sub> , 220V		
60Hz: Fan cooling F <sub>2</sub> , 220V		

**Accessories**

Devices	Fig.	FR7.5G
PTC starting device 6.3 mm spades 4.8 mm spades	a1	103N0011 103N0018
Starting relay	a2	117U6001
Cover	b	103N2010
Starting capacitor 80 µF	c	117U5015
Cord relief	d	103N1010
Protection screen for PTC	g	103N0476
Mounting accessories		
Bolt joint for one compressor		118-1917
Bolt joint in quantities		118-1918
Snap-on in quantities		118-1919



# FR8.5G

## Universal Compressor

### R134a

### 220-240V 50Hz

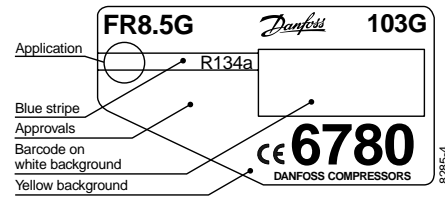
Data Sheet (CG.43.H1.02)

#### General

Compressor	<b>FR8.5G</b>
Code number	103G6780
Code number compressor with oil cooler	103G6790

#### Application

Application		LBP/HBP
Evaporating temperature range	°C	-30 to 10
Voltage range	V/Hz	LBP: 187 - 254 /50
		LBP: 198 - 254 /60
		HBP: 198 - 254 /50
Motor type		RSIR/CSIR
Max. ambient temperature	°C	43
Comp. cooling at ambient temp.	32°C	LBP: S
	38°C	LBP: O/F <sub>1</sub>
	43°C	HBP: F <sub>2</sub>
	43°C	LBP: O/F <sub>1</sub>
		HBP: F <sub>2</sub>



- S = Static cooling normally sufficient
- O = Oil cooling
- F<sub>1</sub> = Fan cooling 1.5 m/s  
(compressor compartment temperature equal to ambient temperature)
- F<sub>2</sub> = Fan cooling 3.0 m/s necessary

#### Design

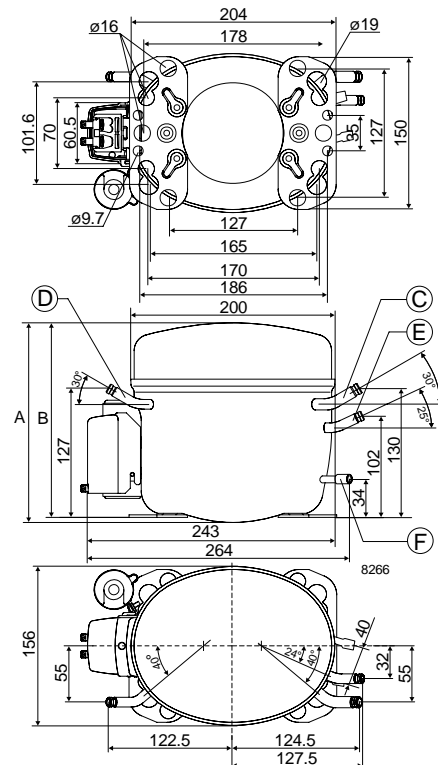
Displacement	cm <sup>3</sup>	7.95
Oil quantity	cm <sup>3</sup>	450
Maximum refrigerant charge	g	900
Free gas vol. in compressor	cm <sup>3</sup>	1350
Weight without electrical equipment	kg	10.6

#### Motor

Motor size	watt	215
LRA (rated after 4 sec. UL984) LST/HST	A	8.1/8.2
Cut-in current LST/HST	A	12.8/8.2
Resistance, main and start winding (25°C)	Ω	8.9/12.0
Approvals		EN 60335-2-34, CCIB

#### Dimensions

Height	mm	A	196
		B	191
Suction connector	location/I.D. mm	C	8.2 ±0.09
Process connector	location/I.D. mm	D	6.2 ±0.09
Discharge connector	location/I.D. mm	E	6.2 ±0.09
Oil cooler	location/I.D. mm	F	6.2 ±0.09
Compressors on a pallet	pcs.		80



**Capacity (EN 12900/CECOMAF)**

Evap. temp in °C	-30	-25	-23.3	-20	-15	-10	-5	0	5	7.2	10
FR8.5G, 50Hz	84.9	123	138	171	228	298	381	478	592	647	722
FR8.5G, 60Hz	92.3	138	156	195	263	345					

**Capacity (ASHRAE)**

Evap. temp in °C	-30	-25	-23.3	-20	-15	-10	-5	0	5	7.2	10
FR8.5G, 50Hz	105	152	171	211	282	368	471	592	734	803	898
FR8.5G, 60Hz	114	171	193	241	325	426					

**Power consumption**

Evap. temp in °C	-30	-25	-23.3	-20	-15	-10	-5	0	5	7.2	10
FR8.5G, 50Hz	127	151	159	176	203	231	261	291	321	335	352
FR8.5G, 60Hz	134	164	174	197	233	273					

**Current consumption**

Evap. temp in °C	-30	-25	-23.3	-20	-15	-10	-5	0	5	7.2	10
FR8.5G, 50Hz	1.16	1.22	1.25	1.30	1.38	1.47	1.56	1.67	1.78	1.83	1.90
FR8.5G, 60Hz	1.02	1.12	1.16	1.24	1.37	1.53					

**COP (EN 12900/CECOMAF)**

Evap. temp in °C	-30	-25	-23.3	-20	-15	-10	-5	0	5	7.2	10
FR8.5G, 50Hz	0.67	0.82	0.87	0.97	1.12	1.29	1.46	1.65	1.84	1.93	2.05
FR8.5G, 60Hz	0.69	0.85	0.90	0.99	1.13	1.26					

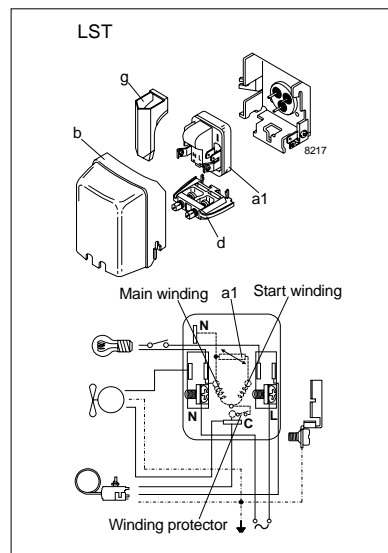
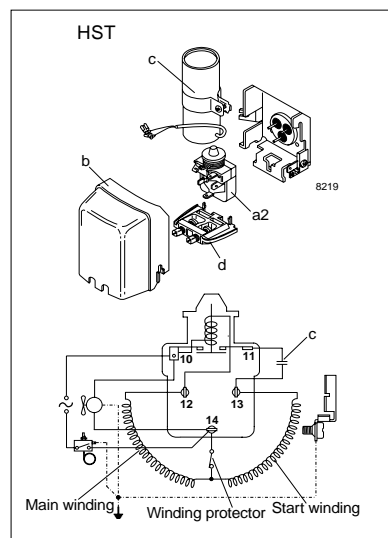
**COP (ASHRAE)**

Evap. temp in °C	-30	-25	-23.3	-20	-15	-10	-5	0	5	7.2	10
FR8.5G, 50Hz	0.83	1.01	1.07	1.19	1.39	1.59	1.81	2.04	2.29	2.40	2.55
FR8.5G, 60Hz	0.85	1.04	1.11	1.22	1.39	1.56					

Test conditions	EN 12900/CECOMAF	ASHRAE
Condensing temperature	55°C	55°C
Ambient and suction gas temp.	32°C	32°C
Liquid temperature	55°C	32°C
50Hz: Fan cooling F <sub>2</sub> , 220V		
60Hz: Fan cooling F <sub>2</sub> , 220V		

**Accessories**

Devices	Fig.	FR8.5G
PTC starting device 6.3 mm spades 4.8 mm spades	a1	103N0011 103N0018
Starting relay	a2	117U6015
Cover	b	103N2010
Starting capacitor 80 µF	c	117U5015
Cord relief	d	103N1010
Protection screen for PTC	g	103N0476
Mounting accessories		
Bolt joint for one compressor		118-1917
Bolt joint in quantities		118-1918
Snap-on in quantities		118-1919





# FR10G Universal Compressor R134a 220-240V 50Hz

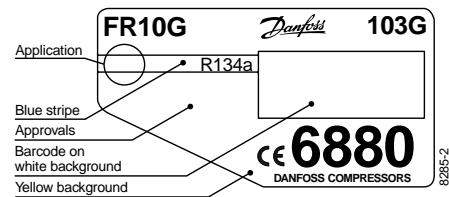
Data Sheet (Replaces CD.43.O5.02)

## General

Compressor	<b>FR10G</b>
Code number	103G6880
Code number compressor with oil cooler	103G6890

## Application

Application		LBP/HBP
Evaporating temperature range	°C	-30 to 10
Voltage range	V/Hz	LBP: 187 - 254 /50
		LBP: 198 - 254 /60
		HBP: 198 - 254 /50
Motor type		RSIR/CSIR
Max. ambient temperature	°C	43
Comp. cooling at ambient temp.	32°C	LBP: S HBP: F <sub>2</sub>
	38°C	LBP: O/F <sub>1</sub> HBP: F <sub>2</sub>
	43°C	LBP: O/F <sub>1</sub> HBP: F <sub>2</sub>



- S = Static cooling normally sufficient
- O = Oil cooling
- F<sub>1</sub> = Fan cooling 1.5 m/s  
(compressor compartment temperature equal to ambient temperature)
- F<sub>2</sub> = Fan cooling 3.0 m/s necessary

## Design

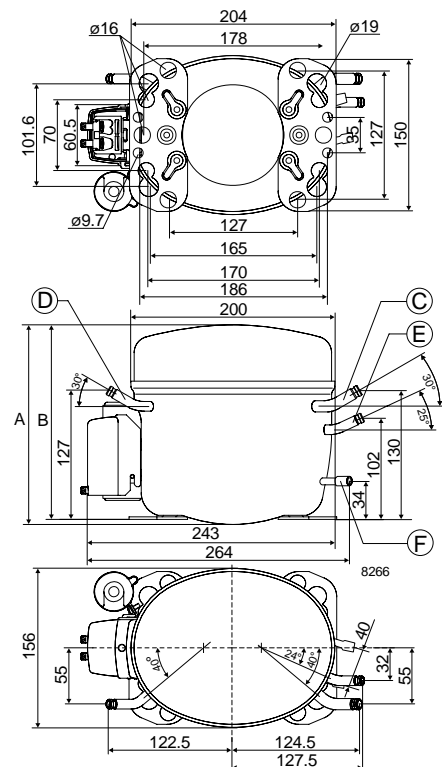
Displacement	cm <sup>3</sup>	9.05
Oil quantity	cm <sup>3</sup>	450
Maximum refrigerant charge	g	900
Free gas vol. in compressor	cm <sup>3</sup>	1350
Weight without electrical equipment	kg	10.6

## Motor

Motor size	watt	275
LRA (rated after 4 sec. UL984) LST/HST	A	10.3/10.0
Cut-in current LST/HST	A	15.0/10.0
Resistance, main and start winding (25°C)	Ω	7.3/12.0
Approvals		EN 60335-2-34, CCIB

## Dimensions

Height	mm	A	196
		B	191
Suction connector	location/I.D. mm	C	8.2 ±0.09
Process connector	location/I.D. mm	D	6.2 ±0.09
Discharge connector	location/I.D. mm	E	6.2 ±0.09
Oil cooler	location/I.D. mm	F	6.2 ±0.09
Compressors on a pallet	pcs.		80



**Capacity (EN 12900/CECOMAF)**

Evap. temp in °C	-30	-25	-23.3	-20	-15	-10	-5	0	5	7.2	10
FR10G, 50Hz	91.9	136	152	188	250	324	412	516	638	697	779
FR10G, 60Hz	98.8	153	173	217	292	381					

**Capacity (ASHRAE)**

Evap. temp in °C	-30	-25	-23.3	-20	-15	-10	-5	0	5	7.2	10
FR10G, 50Hz	113	167	188	232	308	400	510	639	791	866	968
FR10G, 60Hz	122	188	214	267	361	471					

**Power consumption**

Evap. temp in °C	-30	-25	-23.3	-20	-15	-10	-5	0	5	7.2	10
FR10G, 50Hz	155	179	188	205	234	265	296	329	362	376	394
FR10G, 60Hz	163	194	206	230	270	314					

**Current consumption**

Evap. temp in °C	-30	-25	-23.3	-20	-15	-10	-5	0	5	7.2	10
FR10G, 50Hz	1.51	1.58	1.61	1.66	1.75	1.84	1.94	2.05	2.16	2.21	2.28
FR10G, 60Hz	1.32	1.44	1.48	1.57	1.73	1.90					

**COP (EN 12900/CECOMAF)**

Evap. temp in °C	-30	-25	-23.3	-20	-15	-10	-5	0	5	7.2	10
FR10G, 50Hz	0.59	0.76	0.81	0.91	1.07	1.22	1.39	1.57	1.76	1.85	1.98
FR10G, 60Hz	0.61	0.79	0.84	0.94	1.08	1.21					

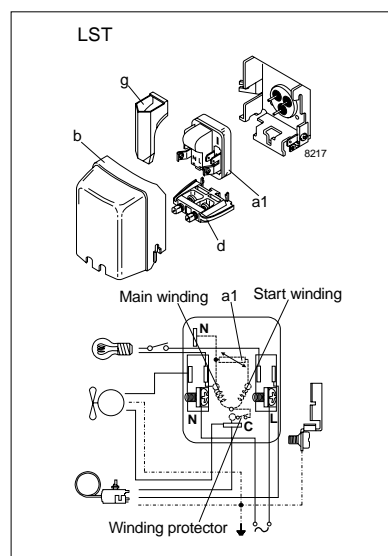
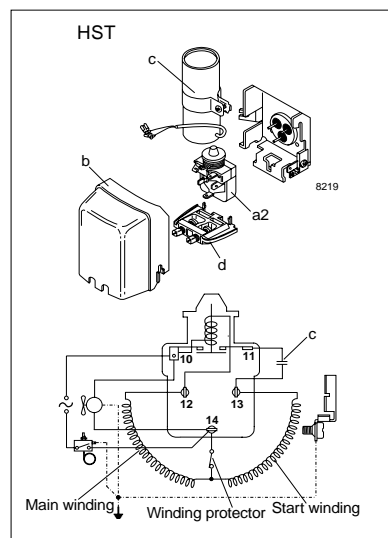
**COP (ASHRAE)**

Evap. temp in °C	-30	-25	-23.3	-20	-15	-10	-5	0	5	7.2	10
FR10G, 50Hz	0.73	0.93	1.00	1.13	1.32	1.51	1.72	1.94	2.19	2.30	2.46
FR10G, 60Hz	0.75	0.97	1.04	1.16	1.34	1.50					

Test conditions	EN 12900/CECOMAF	ASHRAE
Condensing temperature	55°C	55°C
Ambient and suction gas temp.	32°C	32°C
Liquid temperature	55°C	32°C
50Hz: Fan cooling F <sub>2</sub> , 220V		
60Hz: Fan cooling F <sub>2</sub> , 220V		

**Accessories**

Devices	Fig.	FR10G
PTC starting device 6.3 mm spades 4.8 mm spades	a1	103N0011 103N0018
Starting relay	a2	117U6010
Cover	b	103N2010
Starting capacitor 80 µF	c	117U5015
Cord relief	d	103N1010
Protection screen for PTC	g	103N0476
Mounting accessories		
Bolt joint for one compressor		118-1917
Bolt joint in quantities		118-1918
Snap-on in quantities		118-1919



# FR11G Universal Compressor R134a 220-240V 50Hz

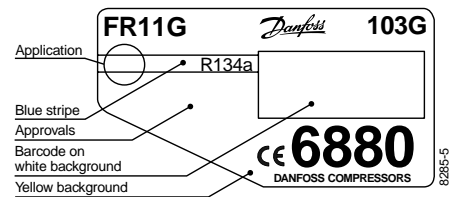
Data Sheet (Replaces CG.43.E1.02)

## General

Compressor	<b>FR11G</b>
Code number	103G6980

## Application

Application		LBP/HBP
Evaporating temperature range	°C	-30 to 5
Voltage range	V/Hz	LBP: 187 - 254 /50 HBP: 198 - 254 /50
Motor type		RSIR/CSIR
Max. ambient temperature	°C	43
Comp. cooling at ambient temp.	32°C	LBP: F <sub>2</sub> HBP: F <sub>2</sub>
	38°C	LBP: F <sub>2</sub> HBP: F <sub>2</sub>
	43°C	LBP: F <sub>2</sub> HBP: F <sub>2</sub>



- S = Static cooling normally sufficient
- O = Oil cooling
- F<sub>1</sub> = Fan cooling 1.5 m/s  
(compressor compartment temperature equal to ambient temperature)
- F<sub>2</sub> = Fan cooling 3.0 m/s necessary

## Design

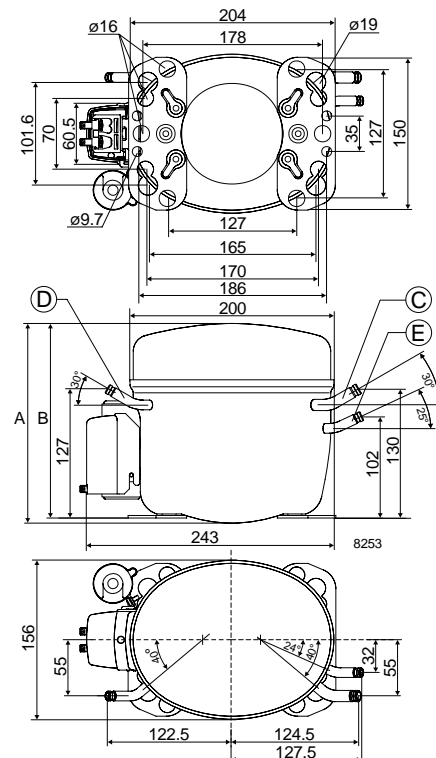
Displacement	cm <sup>3</sup>	11.15
Oil quantity	cm <sup>3</sup>	450
Maximum refrigerant charge	g	900
Free gas vol. in compressor	cm <sup>3</sup>	1350
Weight without electrical equipment	kg	10.6

## Motor

Motor size	watt	275
LRA (rated after 4 sec. UL984) LST/HST	A	10.3/10.0
Cut-in current LST/HST	A	15.0/10.0
Resistance, main and start winding (25°C)	Ω	7.3/12.0
Approvals		EN 60335-2-34, CCIB

## Dimensions

Height	mm	A	196
		B	191
Suction connector	location/I.D. mm	C	8.2 ±0.09
Process connector	location/I.D. mm	D	6.2 ±0.09
Discharge connector	location/I.D. mm	E	6.2 ±0.09
Compressors on a pallet	pcs.		80



**Capacity (EN 12900/CECOMAF)**

Comp.\°C	-30	-25	-23.3	-20	-15	-10	-5	0	5
FR11G	115	170	191	233	307	395	501	628	780

**Capacity (ASHRAE)**

Comp.\°C	-30	-25	-23.3	-20	-15	-10	-5	0	5
FR11G	141	209	235	287	378	487	619	777	966

**Power consumption**

Comp.\°C	-30	-25	-23.3	-20	-15	-10	-5	0	5
FR11G	165	202	215	240	278	317	357	400	445

**Current consumption**

Comp.\°C	-30	-25	-23.3	-20	-15	-10	-5	0	5
FR11G	1.52	1.59	1.63	1.69	1.81	1.95	2.10	2.26	2.42

**COP (EN 12900/CECOMAF)**

Comp.\°C	-30	-25	-23.3	-20	-15	-10	-5	0	5
FR11G	0.70	0.84	0.89	0.97	1.11	1.25	1.40	1.57	1.75

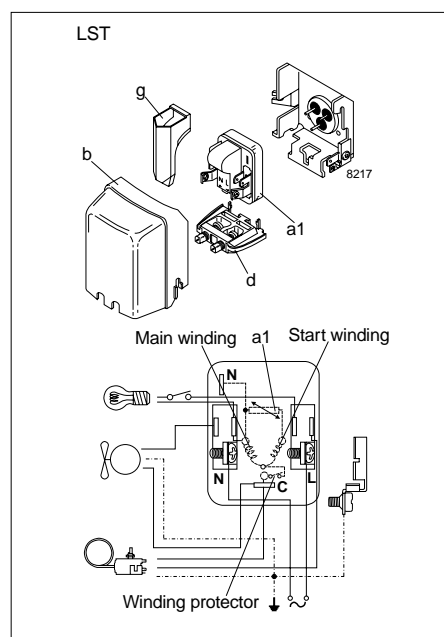
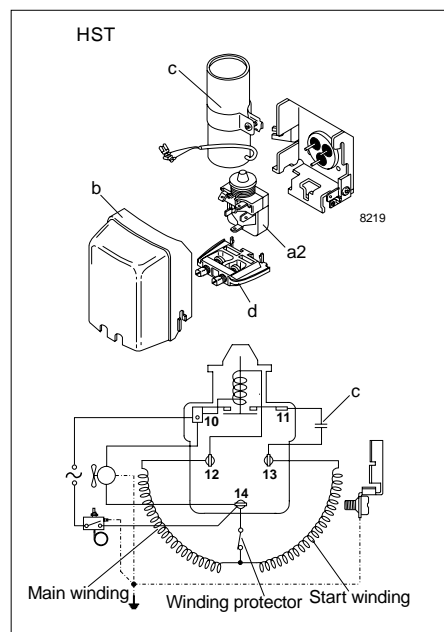
**COP (ASHRAE)**

Comp.\°C	-30	-25	-23.3	-20	-15	-10	-5	0	5
FR11G	0.86	1.04	1.09	1.20	1.36	1.54	1.73	1.94	2.17

Test conditions	EN 12900/CECOMAF	ASHRAE
Condensing temperature	55°C	55°C
Ambient and suction gas temp.	32°C	32°C
Liquid temperature	55°C	32°C
Fan cooling F <sub>2</sub> , 220V 50Hz		

**Accessories**

Devices	Fig.	FR11G
PTC starting device 6.3 mm spades 4.8 mm spades	a1	103N0011 103N0018
Starting relay	a2	117U6010
Cover	b	103N2010
Starting capacitor 80 µF	c	117U5015
Cord relief	d	103N1010
Protection screen for PTC	g	103N0476
Mounting accessories		
Bolt joint for one compressor		118-1917
Bolt joint in quantities		118-1918
Snap-on in quantities		118-1919



# SC10G Universal Compressor R134a 220-240V 50Hz

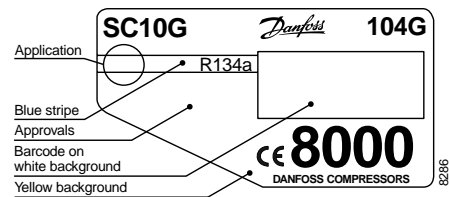
Data Sheet (Replaces CD.44.C4.02)

## General

Compressor	<b>SC10G</b>
Code number	104G8000

## Application

Application		LBP/HBP
Evaporating temperature range	°C	-35 to 15
Voltage range	V/Hz	LBP: 187 - 254 /50
		LBP: 198 - 254 /60
		HBP: 198 - 254 /50
Motor type		RSIR/CSIR
Max. ambient temperature	°C	43
Comp. cooling at ambient temp.	32°C	LBP: F <sub>1</sub>
		HBP: F <sub>2</sub>
	38°C	LBP: F <sub>1</sub>
		HBP: F <sub>2</sub>
43°C	LBP: F <sub>1</sub>	
	HBP: F <sub>2</sub>	



- S = Static cooling normally sufficient
- O = Oil cooling
- F<sub>1</sub> = Fan cooling 1.5 m/s  
(compressor compartment temperature equal to ambient temperature)
- F<sub>2</sub> = Fan cooling 3.0 m/s necessary

## Design

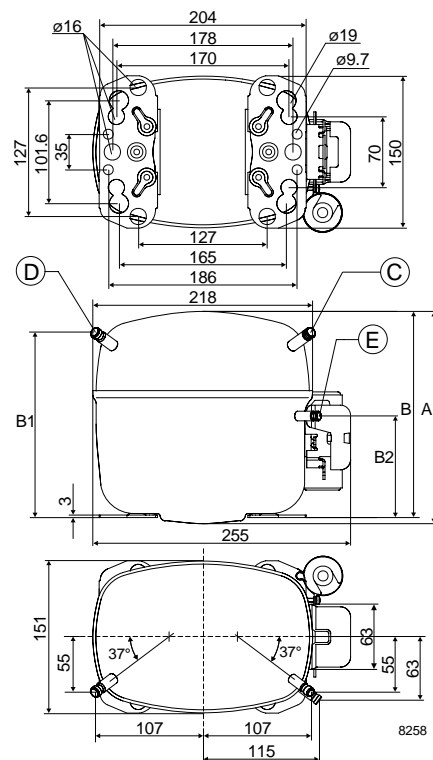
Displacement	cm <sup>3</sup>	10.29
Oil quantity	cm <sup>3</sup>	600 (550 on comp. with oil cooler)
Maximum refrigerant charge	g	1300
Free gas vol. in compressor	cm <sup>3</sup>	1510
Weight without electrical equipment	kg	12.1

## Motor

Motor size	watt	250
LRA (rated after 4 sec. UL984) LST/HST	A	10.2/11.1
Cut-in current LST/HST	A	14.6/11.1
Resistance, main and start winding (25°C)	Ω	8.5/14.1
Approvals		EN 60335-2-34

## Dimensions

Height	mm	A	199
		B	193
		B1	173
		B2	90
Suction connector	location/I.D. mm	C	8.2 ±0.09
Process connector	location/I.D. mm	D	6.2 ±0.09
Discharge connector	location/I.D. mm	E	6.2 ±0.09
Compressors on a pallet	pcs.		80



**Capacity (EN 12900/CECOMAF)**

Comp.\°C	-35	-30	-25	-23.3	-20	-15	-10	-5	0	5	7.2	10	15
SC10G	23	60	113	135	183	268	369	486	618	764	833	925	1100

**watt**
**Capacity (ASHRAE)**

Comp.\°C	-35	-30	-25	-23.3	-20	-15	-10	-5	0	5	7.2	10	15
SC10G	29	74	139	166	225	331	456	600	764	946	1032	1147	1367

**watt**
**Power consumption**

Comp.\°C	-35	-30	-25	-23.3	-20	-15	-10	-5	0	5	7.2	10	15
SC10G	93	139	181	195	220	256	290	322	353	383	396	412	441

**watt**
**Current consumption**

Comp.\°C	-35	-30	-25	-23.3	-20	-15	-10	-5	0	5	7.2	10	15
SC10G	1.29	1.34	1.41	1.44	1.50	1.61	1.72	1.85	1.98	2.12	2.18	2.26	2.40

**A**
**COP (EN 12900/CECOMAF)**

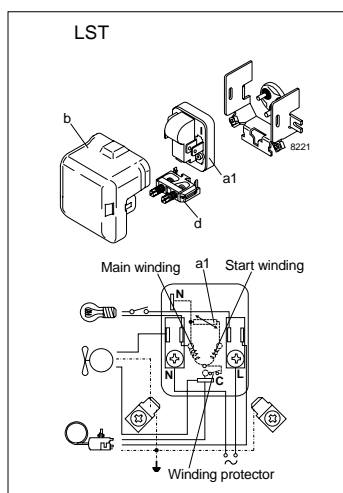
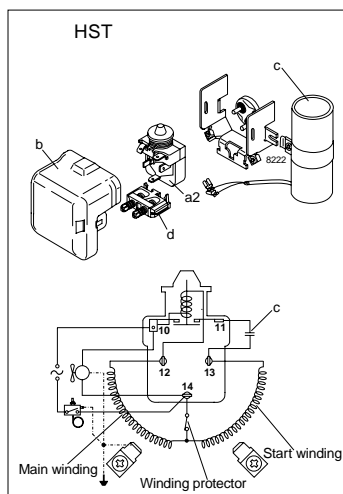
Comp.\°C	-35	-30	-25	-23.3	-20	-15	-10	-5	0	5	7.2	10	15
SC10G	0.25	0.43	0.63	0.69	0.83	1.05	1.27	1.51	1.75	2.00	2.11	2.25	2.49

**W/W**
**COP (ASHRAE)**

Comp.\°C	-35	-30	-25	-23.3	-20	-15	-10	-5	0	5	7.2	10	15
SC10G	0.31	0.53	0.77	0.85	1.02	1.29	1.57	1.86	2.16	2.47	2.61	2.78	3.10

**W/W**

Test conditions	EN 12900/CECOMAF	ASHRAE
Condensing temperature	55°C	55°C
Ambient and suction gas temp.	32°C	32°C
Liquid temperature	55°C	32°C
Fan cooling, 220V 50Hz		


**Accessories**

Devices	Fig.	SC10G
PTC starting device	6.3 mm spades a1	103N0002
Starting relay	a2	117U6002
Cover	b	103N2009
Starting capacitor 80 µF	c	117U5017
Cord relief	d	103N1004
Mounting accessories		
Bolt joint for one compressor		118-1917
Bolt joint in quantities		118-1918
Snap-on in quantities		118-1919

# SC12G

## Universal Compressor

### R134a

### 220-240V 50Hz

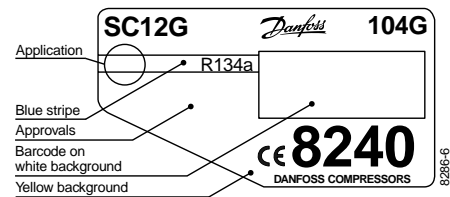
Data Sheet (Replaces CD.44.P1.02)

#### General

Compressor	<b>SC12G</b>
Code number	104G8240
Code number	104G8243
Code number compressor with oil cooler	104G8250

#### Application

Application		LBP/HBP
Evaporating temperature range	°C	-35 to 15
Voltage range	V/Hz	LBP: 187 - 254 /50
		LBP: 198 - 254 /60
		HBP: 198 - 254 /50
Motor type		RSIR/CSIR
Max. ambient temperature	°C	43
Comp. cooling at ambient temp.	32°C	LBP: O/F <sub>1</sub> HBP: F <sub>2</sub>
	38°C	LBP: O/F <sub>1</sub> HBP: F <sub>2</sub>
	43°C	LBP: O/F <sub>1</sub>
		HBP: F <sub>2</sub>



- S = Static cooling normally sufficient
- O = Oil cooling
- F<sub>1</sub> = Fan cooling 1.5 m/s  
(compressor compartment temperature equal to ambient temperature)
- F<sub>2</sub> = Fan cooling 3.0 m/s necessary

#### Design

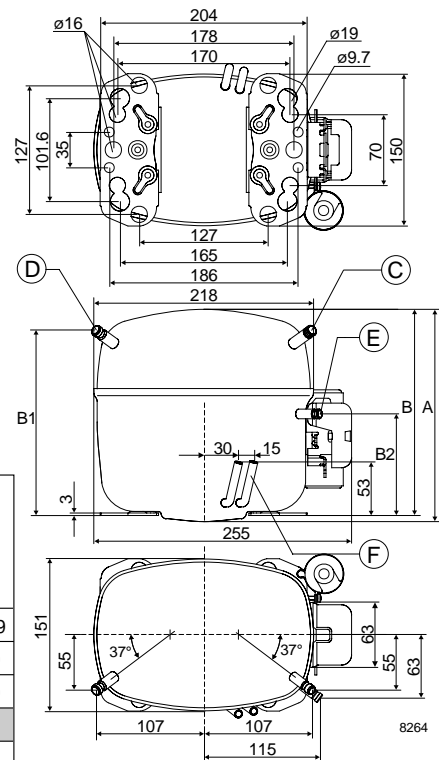
Displacement	cm <sup>3</sup>	12.87
Oil quantity	cm <sup>3</sup>	600 (550 on comp. with oil cooler)
Maximum refrigerant charge	g	1300
Free gas vol. in compressor	cm <sup>3</sup>	1510
Weight without electrical equipment	kg	12.6

#### Motor

Motor size	watt	315
LRA (rated after 4 sec. UL984) LST/HST	A	12.4/12.6
Cut-in current LST/HST	A	17.2/12.6
Resistance, main and start winding (25°C)	Ω	6.7/11.8
Approvals		EN 60335-2-34

#### Dimensions

		104G8250	104G8240	104G8243
Height	mm	A	209	
		B	203	
		B1	183	
		B2	100	
Suction connector	location/I.D. mm	C	8.2 ±0.09	8.2 ±0.09
Process connector	location/I.D. mm	D	6.2 ±0.09	6.5 ±0.09
Discharge connector	location/I.D. mm	E	6.2 ±0.09	6.5 ±0.09
Oil cooler	location/I.D. mm	F	6.2 ±0.09	
Compressors on a pallet	pcs.		80	



**Capacity (EN 12900/CECOMAF)**

Comp.\°C	-35	-30	-25	-23.3	-20	-15	-10	-5	0	5	7.2	10	15
SC12G	78	115	175	200	257	360	484	625	785	960	1042	1150	1354

**watt**
**Capacity (ASHRAE)**

Comp.\°C	-35	-30	-25	-23.3	-20	-15	-10	-5	0	5	7.2	10	15
SC12G	97	141	215	247	317	444	596	772	960	1188	1291	1426	1682

**watt**
**Power consumption**

Comp.\°C	-35	-30	-25	-23.3	-20	-15	-10	-5	0	5	7.2	10	15
SC12G	147	186	227	241	269	313	358	403	448	493	513	538	582

**watt**
**Current consumption**

Comp.\°C	-35	-30	-25	-23.3	-20	-15	-10	-5	0	5	7.2	10	15
SC12G	1.56	1.70	1.84	1.89	1.98	2.12	2.26	2.39	2.52	2.65	2.70	2.77	2.88

**A**
**COP (EN 12900/CECOMAF)**

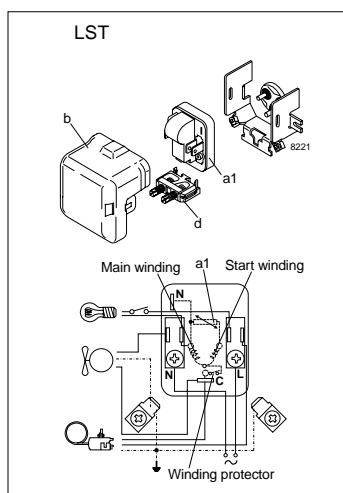
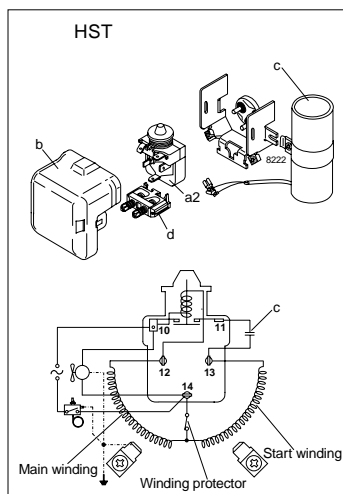
Comp.\°C	-35	-30	-25	-23.3	-20	-15	-10	-5	0	5	7.2	10	15
SC12G	0.53	0.62	0.77	0.83	0.95	1.15	1.35	1.55	1.75	1.95	2.03	2.14	2.33

**W/W**
**COP (ASHRAE)**

Comp.\°C	-35	-30	-25	-23.3	-20	-15	-10	-5	0	5	7.2	10	15
SC12G	0.66	0.76	0.95	1.02	1.18	1.42	1.67	1.92	2.16	2.41	2.51	2.65	2.89

**W/W**

Test conditions	EN 12900/CECOMAF	ASHRAE
Condensing temperature	55°C	55°C
Ambient and suction gas temp.	32°C	32°C
Liquid temperature	55°C	32°C
Fan cooling, 220V 50Hz		


**Accessories**

Devices	Fig.	SC12G	
PTC starting device	6.3 mm spades	a1	103N0002
Starting relay		a2	117U6003
Cover		b	103N2009
Starting capacitor 80 µF		c	117U5017
Cord relief		d	103N1004
Mounting accessories			
Bolt joint for one compressor			118-1917
Bolt joint in quantities			118-1918
Snap-on in quantities			118-1919



# SC15G Universal Compressor R134a 220-240V 50Hz

Data Sheet (Replaces CD.44.K2.02)

## General

Compressor	<b>SC15G</b>
Code number	104G8520
Code number	104G8525
Code number compressor with oil cooler	104G8530

## Application

Application		LBP/HBP
Evaporating temperature range	°C	-35 to 15
Voltage range	V/Hz	LBP: 187 - 254 /50
		LBP: 198 - 254 /60
		HBP: 198 - 254 /50
Motor type		CSIR
Max. ambient temperature	°C	43
Comp. cooling at ambient temp.	32°C	LBP: O/F <sub>1</sub> HBP: F <sub>2</sub>
	38°C	LBP: O/F <sub>1</sub> HBP: F <sub>2</sub>
	43°C	LBP: O/F <sub>1</sub> HBP: F <sub>2</sub>
		LBP: O/F <sub>1</sub> HBP: F <sub>2</sub>

## Design

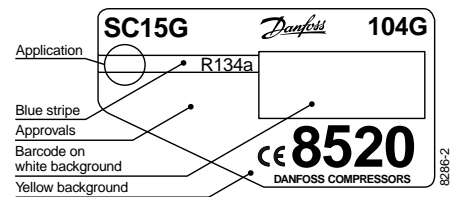
Displacement	cm <sup>3</sup>	15.28
Oil quantity	cm <sup>3</sup>	600 (550 on comp. with oil cooler)
Maximum refrigerant charge	g	1300
Free gas vol. in compressor	cm <sup>3</sup>	1410
Weight without electrical equipment	kg	13.1

## Motor

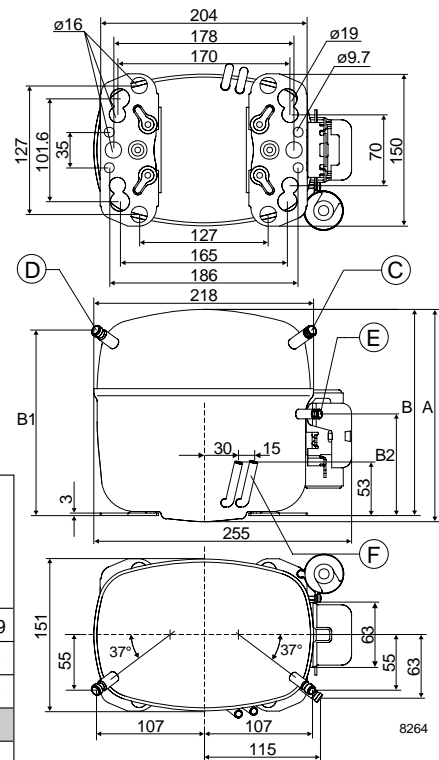
Motor size	watt	385
LRA (rated after 4 sec. UL984) HST	A	14.8
Cut-in current HST	A	14.8
Resistance, main and start winding (25°C)	Ω	5.0/13.7
Approvals		EN 60335-2-34

## Dimensions

		104G8530	104G8520	104G8525
Height	mm	A	209	
		B	203	
		B1	183	
		B2	100	
Suction connector	location/I.D. mm	C	8.2 ±0.09	8.2 ±0.09
Process connector	location/I.D. mm	D	6.2 ±0.09	6.5 ±0.09
Discharge connector	location/I.D. mm	E	6.2 ±0.09	6.5 ±0.09
Oil cooler	location/I.D. mm	F	6.2 ±0.09	
Compressors on a pallet	pcs.		80	



- S = Static cooling normally sufficient
- O = Oil cooling
- F<sub>1</sub> = Fan cooling 1.5 m/s  
(compressor compartment temperature equal to ambient temperature)
- F<sub>2</sub> = Fan cooling 3.0 m/s necessary



**Capacity (EN 12900/CECOMAF)**

Comp. °C	-25	-23.3	-20	-15	-10	-5	0	5	7.2	10	15
SC15G	224	255	322	440	579	737	915	1113	1206	1330	1565

**Capacity (ASHRAE)**

Comp. °C	-25	-23.3	-20	-15	-10	-5	0	5	7.2	10	15
SC15G	275	314	396	542	714	910	1132	1378	1494	1649	1945

**Power consumption**

Comp. °C	-25	-23.3	-20	-15	-10	-5	0	5	7.2	10	15
SC15G	270	287	321	373	428	484	540	595	620	650	703

**Current consumption**

Comp. °C	-25	-23.3	-20	-15	-10	-5	0	5	7.2	10	15
SC15G	2.18	2.23	2.32	2.48	2.64	2.80	2.95	3.08	3.13	3.18	3.24

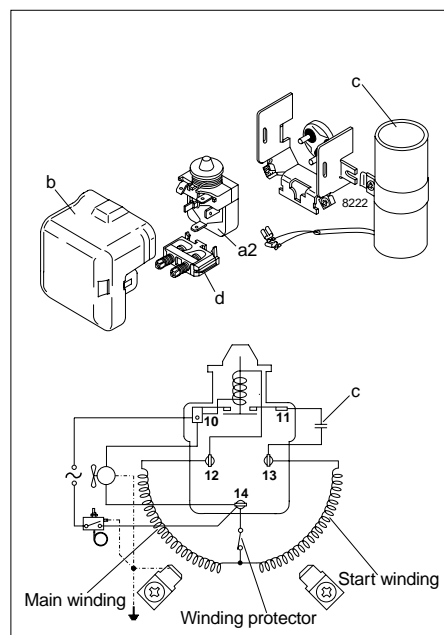
**COP (EN 12900/CECOMAF)**

Comp. °C	-25	-23.3	-20	-15	-10	-5	0	5	7.2	10	15
SC15G	0.83	0.89	1.00	1.18	1.35	1.52	1.70	1.87	1.95	2.05	2.23

**COP (ASHRAE)**

Comp. °C	-25	-23.3	-20	-15	-10	-5	0	5	7.2	10	15
SC15G	1.02	1.09	1.24	1.45	1.67	1.88	2.10	2.31	2.41	2.54	2.76

Test conditions	EN 12900/CECOMAF	ASHRAE
Condensing temperature	55°C	55°C
Ambient and suction gas temp.	32°C	32°C
Liquid temperature	55°C	32°C
Fan cooling, 220V 50Hz		


**Accessories**

Devices	Fig.	SC15G
Starting relay	a2	117U6005
Cover	b	103N2009
Starting capacitor 80 µF	c	117U5017
Cord relief	d	103N1004
Mounting accessories		
Bolt joint for one compressor		118-1917
Bolt joint in quantities		118-1918
Snap-on in quantities		118-1919

# SC18G Universal Compressor R134a 220-240V 50Hz

Data Sheet (Replaces CD.44.V1.02)

## General

Compressor	<b>SC18G</b>
Code number	104G8820
Code number	104G8822
Code number compressor with oil cooler	104G8830

## Application

Application		LBP/HBP
Evaporating temperature range	°C	-35 to 15
Voltage range	V/Hz	LBP: 187 - 254 /50
		LBP: 198 - 254 /60
		HBP: 198 - 254 /50
Motor type		CSIR
Max. ambient temperature	°C	43
Comp. cooling at ambient temp.	32°C	LBP: O/F <sub>1</sub> HBP: F <sub>2</sub>
	38°C	LBP: O/F <sub>1</sub> HBP: F <sub>2</sub>
	43°C	LBP: O/F <sub>1</sub> HBP: F <sub>2</sub>
		LBP: O/F <sub>1</sub> HBP: F <sub>2</sub>

## Design

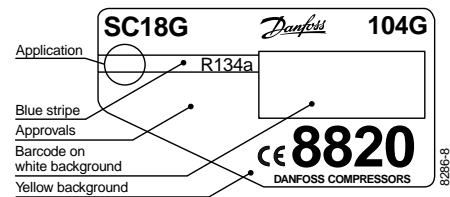
Displacement	cm <sup>3</sup>	17.69
Oil quantity	cm <sup>3</sup>	600 (550 on comp. with oil cooler)
Maximum refrigerant charge	g	1300
Free gas vol. in compressor	cm <sup>3</sup>	1460
Weight without electrical equipment	kg	13.7

## Motor

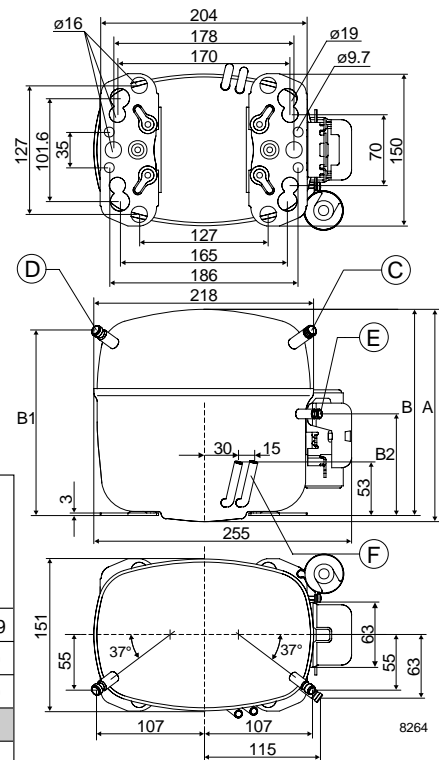
Motor size	watt	495
LRA (rated after 4 sec. UL984) HST	A	18.6
Cut-in current HST	A	18.6
Resistance, main and start winding (25°C)	Ω	3.7/14.1
Approvals		EN 60335-2-34, CCIB

## Dimensions

		104G8830	104G8820	104G8822
Height	mm	A	219	
		B	213	
		B1	193	
		B2	110	
Suction connector	location/I.D. mm	C	8.2 ±0.09	8.2 ±0.09
Process connector	location/I.D. mm	D	6.2 ±0.09	6.5 ±0.09
Discharge connector	location/I.D. mm	E	6.2 ±0.09	6.5 ±0.09
Oil cooler	location/I.D. mm	F	6.2 ±0.09	
Compressors on a pallet	pcs.		80	



- S = Static cooling normally sufficient
- O = Oil cooling
- F<sub>1</sub> = Fan cooling 1.5 m/s  
(compressor compartment temperature equal to ambient temperature)
- F<sub>2</sub> = Fan cooling 3.0 m/s necessary



**Capacity (EN 12900/CECOMAF)**

Comp. \ °C	-25	-23.3	-20	-15	-10	-5	0	5	7.2	10	15
SC18G	283	318	394	526	684	870	1087	1337	1459	1624	1950

**Capacity (ASHRAE)**

Comp. \ °C	-25	-23.3	-20	-15	-10	-5	0	5	7.2	10	15
SC18G	348	392	485	649	844	1074	1343	1655	1807	2014	2423

**Power consumption**

Comp. \ °C	-25	-23.3	-20	-15	-10	-5	0	5	7.2	10	15
SC18G	331	351	389	448	507	568	630	695	725	763	835

**Current consumption**

Comp. \ °C	-25	-23.3	-20	-15	-10	-5	0	5	7.2	10	15
SC18G	2.56	2.62	2.72	2.88	3.05	3.24	3.46	3.71	3.84	4.00	4.34

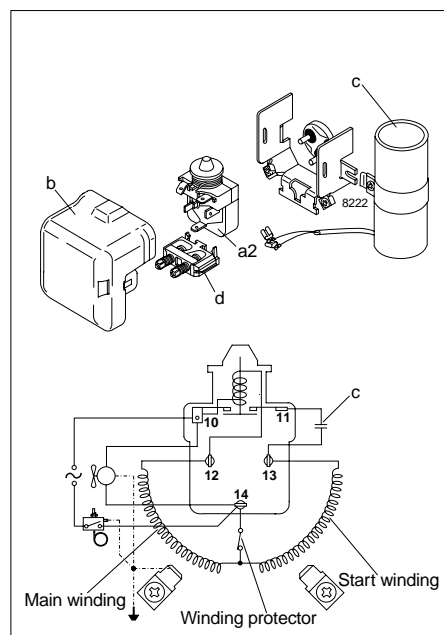
**COP (EN 12900/CECOMAF)**

Comp. \ °C	-25	-23.3	-20	-15	-10	-5	0	5	7.2	10	15
SC18G	0.86	0.91	1.01	1.18	1.35	1.53	1.72	1.92	2.01	2.13	2.34

**COP (ASHRAE)**

Comp. \ °C	-25	-23.3	-20	-15	-10	-5	0	5	7.2	10	15
SC18G	1.05	1.12	1.25	1.45	1.67	1.89	2.13	2.38	2.49	2.64	2.90

Test conditions	EN 12900/CECOMAF	ASHRAE
Condensing temperature	55°C	55°C
Ambient and suction gas temp.	32°C	32°C
Liquid temperature	55°C	32°C
Fan cooling, 220V 50Hz		


**Accessories**

Devices	Fig.	SC18G
Starting relay	a2	117U6019
Cover	b	103N2009
Starting capacitor 80 µF	c	117U5017
Cord relief	d	103N1004
Mounting accessories		
Bolt joint for one compressor		118-1917
Bolt joint in quantities		118-1918
Snap-on in quantities		118-1919

# SC21G Universal Compressor R134a 220-240V 50Hz

Data Sheet (Replaces CD.44.L4.02)

### General

Compressor	<b>SC21G</b>
Code number	104G8140
Code number	104G8124

### Application

Application		LBP/HBP	
Evaporating temperature range	°C	-35 to 15	
Voltage range*)	V/Hz	LBP: 187 - 254 /50	
		LBP: 198 - 254 /60	
		HBP: 198 - 254 /50	
Motor type		CSR	
Max. ambient temperature	°C	43	
Comp. cooling at ambient temp.	32°C	LBP: F <sub>2</sub>	
		HBP: F <sub>2</sub>	
		38°C	LBP: F <sub>2</sub>
		HBP: F <sub>2</sub>	
	43°C	LBP: F <sub>2</sub>	
		HBP: F <sub>2</sub>	

\*) Not applicable below -25°C evaporating temperature in 43°C ambient temperature above 240V.

### Design

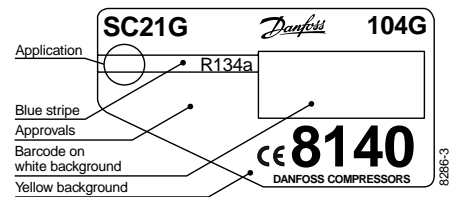
Displacement	cm <sup>3</sup>	20.95
Oil quantity	cm <sup>3</sup>	600
Maximum refrigerant charge	g	1300
Free gas vol. in compressor	cm <sup>3</sup>	1460
Weight without electrical equipment	kg	13.5

### Motor

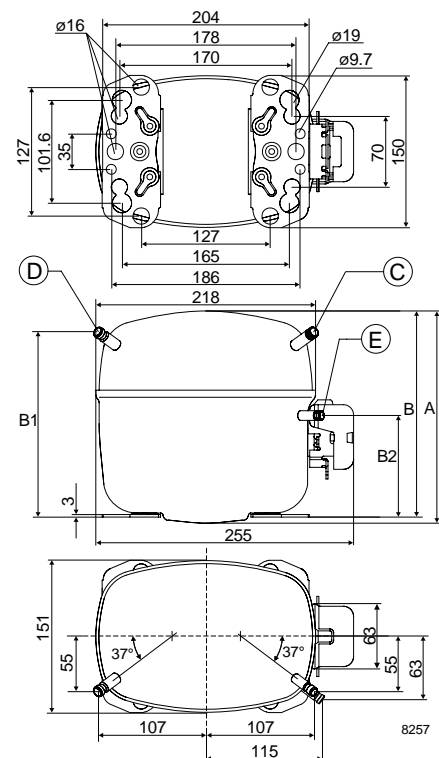
Motor size	watt	550
LRA (rated after 4 sec. UL984) HST	A	21.8
Cut-in current HST	A	21.8
Resistance, main and start winding (25°C)	Ω	3.5/12.1
Approvals		EN 60335-2-34

### Dimensions

		104G8140	104G8124
Height	mm	A	219
		B	213
		B1	193
		B2	110
Suction connector	location/l.D. mm	C	10.2 ±0.09
Process connector	location/l.D. mm	D	6.2 ±0.09
Discharge connector	location/l.D. mm	E	6.2 ±0.09
Compressors on a pallet	pcs.		80



- S = Static cooling normally sufficient
- O = Oil cooling
- F<sub>1</sub> = Fan cooling 1.5 m/s  
(compressor compartment temperature equal to ambient temperature)
- F<sub>2</sub> = Fan cooling 3.0 m/s necessary



**Capacity (EN 12900/CECOMAF)**

Comp. \ °C	-25	-23.3	-20	-15	-10	-5	0	5	7.2	10	15
SC21G	333	370	453	606	792	1012	1268	1560	1700	1889	2256

**Capacity (ASHRAE)**

Comp. \ °C	-25	-23.3	-20	-15	-10	-5	0	5	7.2	10	15
SC21G	410	456	558	746	977	1250	1568	1931	2106	2343	2803

**Power consumption**

Comp. \ °C	-25	-23.3	-20	-15	-10	-5	0	5	7.2	10	15
SC21G	382	404	445	509	575	643	714	789	823	868	953

**Current consumption**

Comp. \ °C	-25	-23.3	-20	-15	-10	-5	0	5	7.2	10	15
SC21G	2.28	2.34	2.48	2.71	2.96	3.24	3.54	3.87	4.02	4.22	4.60

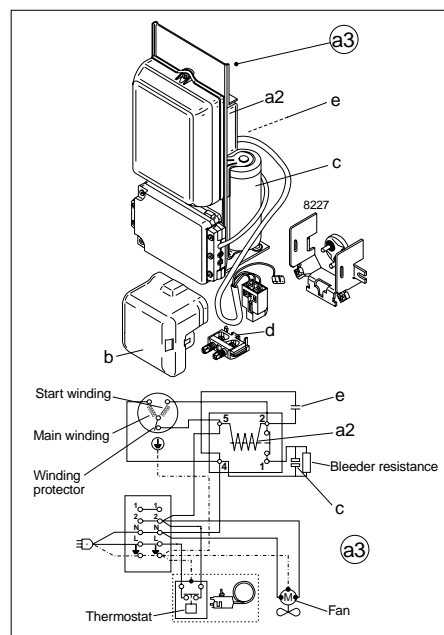
**COP (EN 12900/CECOMAF)**

Comp. \ °C	-25	-23.3	-20	-15	-10	-5	0	5	7.2	10	15
SC21G	0.87	0.92	1.02	1.19	1.38	1.58	1.78	1.98	2.07	2.18	2.37

**COP (ASHRAE)**

Comp. \ °C	-25	-23.3	-20	-15	-10	-5	0	5	7.2	10	15
SC21G	1.07	1.13	1.25	1.47	1.70	1.95	2.20	2.45	2.56	2.70	2.94

Test conditions	EN 12900/CECOMAF	ASHRAE
Condensing temperature	55°C	55°C
Ambient and suction gas temp.	32°C	32°C
Liquid temperature	55°C	32°C
Fan cooling, 220V 50Hz		


**Accessories**

Devices	Fig.	SC21G
Starting device	a3	117-7028 (470 mm cable length) 117-7029 (550 mm cable length) 117-7032 (650 mm cable length)
Cover	b	103N2009
Starting relay	a2	Components of starting device
Starting capacitor	c	
Run capacitor	e	
Cord relief	d	103N1004
Mounting accessories		
Bolt joint for one compressor		118-1917
Bolt joint in quantities		118-1918
Snap-on in quantities		118-1919

# SC12/12G Universal Twin Compressor R134a 220-240V 50Hz

Data Sheet (Replaces CD.44.F4.02)

## General

Compressor	<b>SC12/12G</b>
Code number	104G8280

## Application

Application		LBP/HBP
Evaporating temperature range	°C	-35 to 15
Voltage range	V/Hz	198 - 254 /50
Motor type		CSIR
Max. ambient temperature	°C	43
Comp. cooling at ambient temp.	32°C	LBP: F <sub>2</sub> HBP: F <sub>2</sub>
	38°C	LBP: F <sub>2</sub> HBP: F <sub>2</sub>
	43°C	LBP: F <sub>2</sub> HBP: F <sub>2</sub>
		LBP: F <sub>2</sub> HBP: F <sub>2</sub>

## Design

Displacement	cm <sup>3</sup>	2 x 12.87
Oil quantity	cm <sup>3</sup>	1220
Maximum refrigerant charge	g	2200
Free gas vol. in compressor	cm <sup>3</sup>	2820
Weight without electrical equipment	kg	28

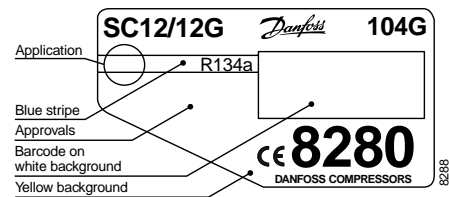
## Motor

Motor size	watt	2 x 315
LRA (rated after 4 sec. UL984) HST*	A	12.6
Cut-in current HST*	A	12.6
Resistance, main and start winding (25°C)	Ω	6.7/11.8
Approvals		EN 60335-2-34

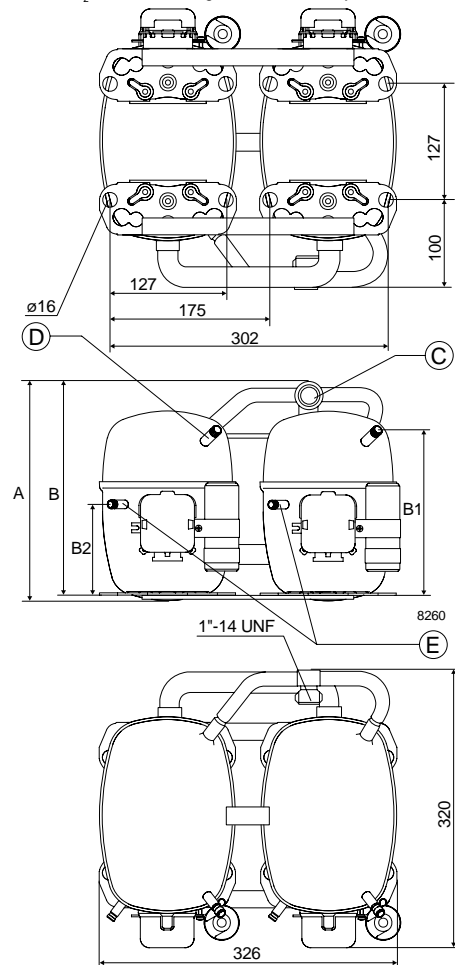
\* Operational current for the second compressor time-delayed.

## Dimensions

Height	mm	A	249
		B	244
		B1	183
		B2	100
Suction connector	location/I.D. mm	C	12
		C	12
Process connector	location/I.D. mm	D	6.2 ±0.09
Discharge connector	location/I.D. mm	E	6.2 ±0.09
Compressors on a pallet	pcs.		18



- S = Static cooling normally sufficient
- O = Oil cooling
- F<sub>1</sub> = Fan cooling 1.5 m/s  
(compressor compartment temperature equal to ambient temperature)
- F<sub>2</sub> = Fan cooling 3.0 m/s necessary



**Capacity (EN 12900/CECOMAF)**

Comp.\°C	-35	-30	-25	-23.3	-20	-15	-10	-5	0	5	7.2	10	15
SC12/12G	156	230	350	400	514	720	968	1250	1570	1920	2084	2300	2708

**watt**
**Capacity (ASHRAE)**

Comp.\°C	-35	-30	-25	-23.3	-20	-15	-10	-5	0	5	7.2	10	15
SC12/12G	194	282	430	494	634	888	1192	1544	1920	2376	2582	2852	3364

**watt**
**Power consumption**

Comp.\°C	-35	-30	-25	-23.3	-20	-15	-10	-5	0	5	7.2	10	15
SC12/12G	293	372	454	482	539	626	716	806	896	986	1026	1076	1163

**watt**
**Current consumption**

Comp.\°C	-35	-30	-25	-23.3	-20	-15	-10	-5	0	5	7.2	10	15
SC12/12G	3.12	3.40	3.68	3.78	3.96	4.24	4.52	4.78	5.04	5.30	5.40	5.54	5.76

**A**
**COP (EN 12900/CECOMAF)**

Comp.\°C	-35	-30	-25	-23.3	-20	-15	-10	-5	0	5	7.2	10	15
SC12/12G	0.53	0.62	0.77	0.83	0.95	1.15	1.35	1.55	1.75	1.95	2.03	2.14	2.33

**W/W**
**COP (ASHRAE)**

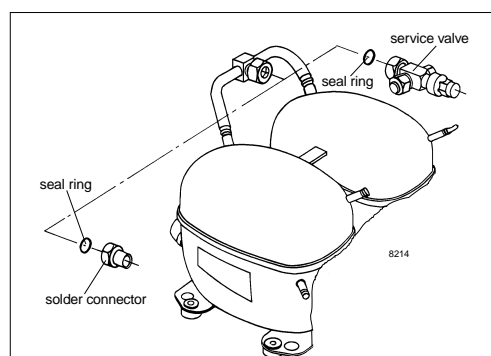
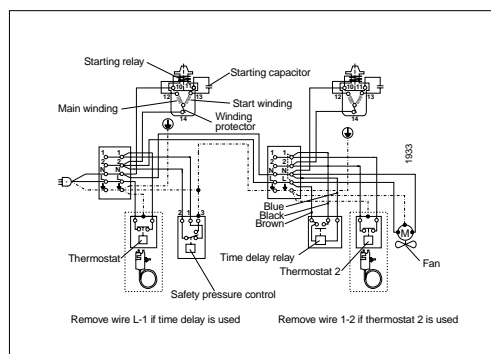
Comp.\°C	-35	-30	-25	-23.3	-20	-15	-10	-5	0	5	7.2	10	15
SC12/12G	0.66	0.76	0.95	1.02	1.18	1.42	1.67	1.92	2.16	2.41	2.51	2.65	2.89

**W/W**

Test conditions  
 Condensing temperature      EN 12900/CECOMAF      ASHRAE  
 Ambient and suction gas temp.      55°C      55°C  
 Liquid temperature      32°C      32°C  
 Fan cooling, 220V 50Hz      55°C      32°C

**Accessories**

Devices	pcs.	SC12/12G
Starting relay	2	117U6003
Starting capacitor 80 μF	2	117U5017
Cover	2	103N2009
Cord relief	2	103N1004
Time-delay relay	1	117N0001
Check valve (to be used with time-delay relay)	2	020-1014
Service valve	1	118-7350 (12 mm)
Solder connector	1	104B0584 (12 mm)
Seal ring for service valve and solder connector	1	118-3638
Mounting accessories Bolt joint for one compressor Bolt joint in quantities	2	118-1917 118-1918





# SC15/15G Universal Twin Compressor R134a 220-240V 50Hz

Data Sheet (Replaces CD.44.R1.02)

## General

Compressor	<b>SC15/15G</b>
Code number	104G8580

## Application

Application		LBP/HBP
Evaporating temperature range	°C	-35 to 15
Voltage range	V/Hz	198 - 254 /50
Motor type		CSIR
Max. ambient temperature	°C	43
Comp. cooling at ambient temp.	32°C	LBP: F <sub>2</sub> HBP: F <sub>2</sub>
	38°C	LBP: F <sub>2</sub> HBP: F <sub>2</sub>
	43°C	LBP: F <sub>2</sub> HBP: F <sub>2</sub>
		LBP: F <sub>2</sub> HBP: F <sub>2</sub>

## Design

Displacement	cm <sup>3</sup>	2 x 15.28
Oil quantity	cm <sup>3</sup>	1220
Maximum refrigerant charge	g	2200
Free gas vol. in compressor	cm <sup>3</sup>	2820
Weight without electrical equipment	kg	28

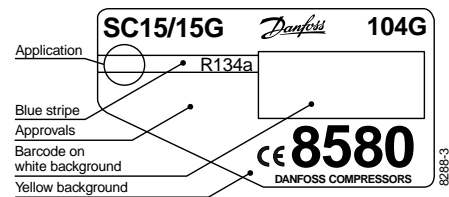
## Motor

Motor size	watt	2 x 385
LRA (rated after 4 sec. UL984) HST*	A	14.8
Cut-in current HST*	A	14.8
Resistance, main and start winding (25°C)	Ω	5.0/13.7
Approvals		EN 60335-2-34

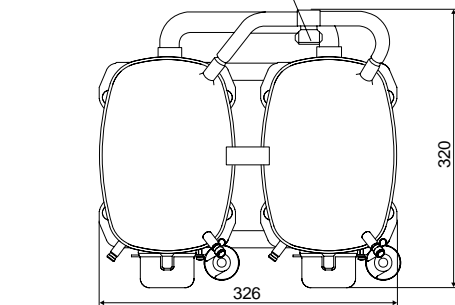
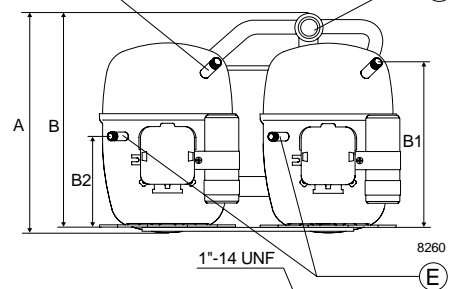
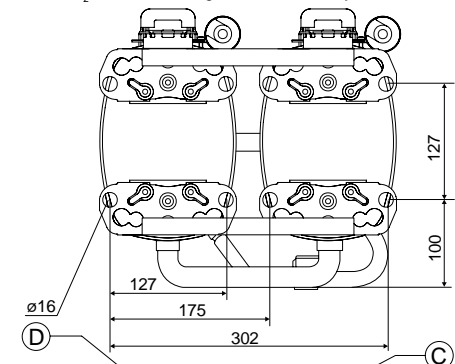
\* Operational current for the second compressor time-delayed.

## Dimensions

Height	mm	A	249
		B	244
		B1	183
		B2	100
Suction connector	location/I.D. mm	C	12
		Solder connector	location/I.D. mm
Process connector	location/I.D. mm	D	6.2 ±0.09
Discharge connector	location/I.D. mm	E	6.2 ±0.09
Compressors on a pallet	pcs.		18



- S = Static cooling normally sufficient
- O = Oil cooling
- F<sub>1</sub> = Fan cooling 1.5 m/s  
(compressor compartment temperature equal to ambient temperature)
- F<sub>2</sub> = Fan cooling 3.0 m/s necessary



**Capacity (EN 12900/CECOMAF)**

Comp. \ °C	-25	-23.3	-20	-15	-10	-5	0	5	7.2	10	15
SC15/15G	448	510	644	880	1158	1474	1830	2226	2412	2660	3130

**Capacity (ASHRAE)**

Comp. \ °C	-25	-23.3	-20	-15	-10	-5	0	5	7.2	10	15
SC15/15G	550	628	792	1084	1428	1820	2264	2756	2988	3298	3890

**Power consumption**

Comp. \ °C	-25	-23.3	-20	-15	-10	-5	0	5	7.2	10	15
SC15/15G	540	574	641	747	856	967	1079	1191	1239	1300	1407

**Current consumption**

Comp. \ °C	-25	-23.3	-20	-15	-10	-5	0	5	7.2	10	15
SC15/15G	4.36	4.46	4.64	4.96	5.28	5.60	5.90	6.16	6.26	6.36	6.48

**COP (EN 12900/CECOMAF)**

Comp. \ °C	-25	-23.3	-20	-15	-10	-5	0	5	7.2	10	15
SC15/15G	0.83	0.89	1.00	1.18	1.35	1.52	1.70	1.87	1.95	2.05	2.23

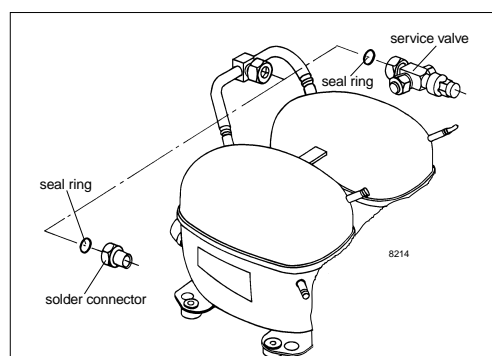
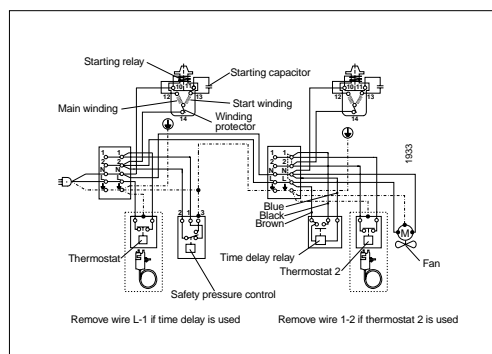
**COP (ASHRAE)**

Comp. \ °C	-25	-23.3	-20	-15	-10	-5	0	5	7.2	10	15
SC15/15G	1.02	1.09	1.24	1.45	1.67	1.88	2.10	2.31	2.41	2.54	2.76

Test conditions	EN 12900/CECOMAF	ASHRAE
Condensing temperature	55°C	55°C
Ambient and suction gas temp.	32°C	32°C
Liquid temperature	55°C	32°C
Fan cooling, 220V 50Hz		

**Accessories**

Devices	pcs.	SC15/15G
Starting relay	2	117U6005
Starting capacitor 80 µF	2	117U5017
Cover	2	103N2009
Cord relief	2	103N1004
Time-delay relay	1	117N0001
Check valve (to be used with time-delay relay)	2	020-1014
Service valve	1	118-7350 (12 mm)
Solder connector	1	104B0584 (12 mm)
Seal ring for service valve and solder connector	1	118-3638
Mounting accessories Bolt joint for one compressor Bolt joint in quantities	2	118-1917 118-1918



# SC18/18G Universal Twin Compressor R134a 220-240V 50Hz

Data Sheet (Replaces CD.44.U1.02)

## General

Compressor	<b>SC18/18G</b>
Code number	104G8880

## Application

Application		LBP/HBP
Evaporating temperature range	°C	-35 to 15
Voltage range	V/Hz	198 - 254 /50
Motor type		CSIR
Max. ambient temperature	°C	43
Comp. cooling at ambient temp.	32°C	LBP: F <sub>2</sub>
		HBP: F <sub>2</sub>
	38°C	LBP: F <sub>2</sub>
		HBP: F <sub>2</sub>
43°C	LBP: F <sub>2</sub>	
	HBP: F <sub>2</sub>	

## Design

Displacement	cm <sup>3</sup>	2 x 17.69
Oil quantity	cm <sup>3</sup>	1220
Maximum refrigerant charge	g	2200
Free gas vol. in compressor	cm <sup>3</sup>	2920
Weight without electrical equipment	kg	28

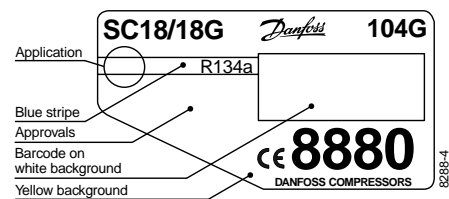
## Motor

Motor size	watt	2 x 495
LRA (rated after 4 sec. UL984) HST*	A	18.6
Cut-in current HST*	A	18.6
Resistance, main and start winding (25°C)	Ω	3.7/14.1
Approvals		EN 60335-2-34, CCIB

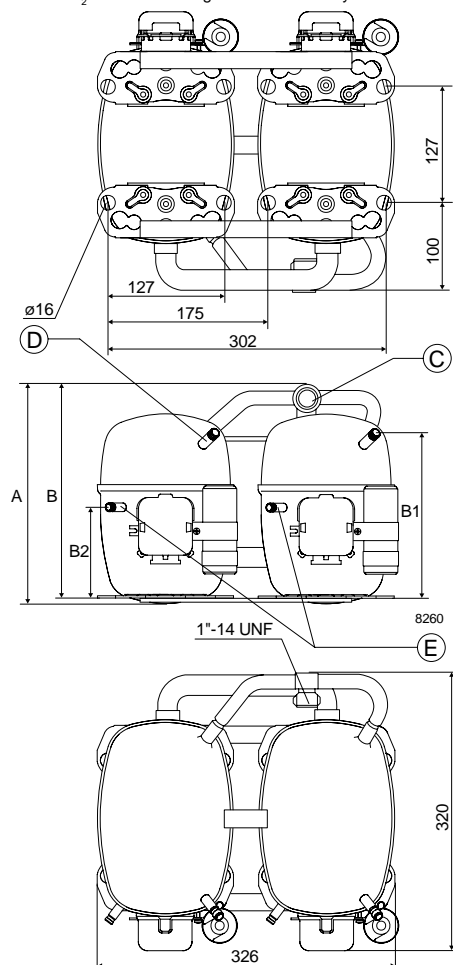
\* Operational current for the second compressor time-delayed.

## Dimensions

Height	mm	A	259
		B	254
		B1	193
		B2	110
Suction connector	location/I.D. mm	C	16
		Solder connector	location/I.D. mm
Process connector	location/I.D. mm	D	6.2 ±0.09
Discharge connector	location/I.D. mm	E	6.2 ±0.09
Compressors on a pallet	pcs.		18



- S = Static cooling normally sufficient
- O = Oil cooling
- F<sub>1</sub> = Fan cooling 1.5 m/s  
(compressor compartment temperature equal to ambient temperature)
- F<sub>2</sub> = Fan cooling 3.0 m/s necessary



**Capacity (EN 12900/CECOMAF)**

Comp. °C	-25	-23.3	-20	-15	-10	-5	0	5	7.2	10	15
SC18/18G	566	636	788	1052	1368	1740	2174	2674	2918	3248	3900

**Capacity (ASHRAE)**

Comp. °C	-25	-23.3	-20	-15	-10	-5	0	5	7.2	10	15
SC18/18G	696	784	970	1298	1688	2148	2686	3310	3614	4028	4846

**Power consumption**

Comp. °C	-25	-23.3	-20	-15	-10	-5	0	5	7.2	10	15
SC18/18G	662	702	778	896	1014	1136	1260	1390	1450	1526	1670

**Current consumption**

Comp. °C	-25	-23.3	-20	-15	-10	-5	0	5	7.2	10	15
SC18/18G	5.12	5.24	5.44	5.76	6.10	6.48	6.92	7.42	7.68	8.00	8.68

**COP (EN 12900/CECOMAF)**

Comp. °C	-25	-23.3	-20	-15	-10	-5	0	5	7.2	10	15
SC18/18G	0.86	0.91	1.01	1.18	1.35	1.53	1.72	1.92	2.01	2.13	2.34

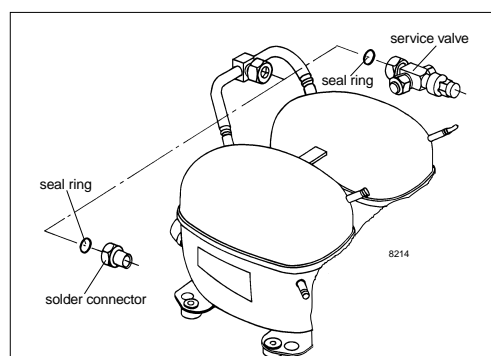
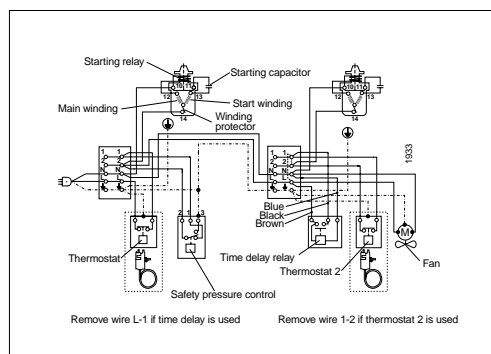
**COP (ASHRAE)**

Comp. °C	-25	-23.3	-20	-15	-10	-5	0	5	7.2	10	15
SC18/18G	1.05	1.12	1.25	1.45	1.67	1.89	2.13	2.38	2.49	2.64	2.90

Test conditions	EN 12900/CECOMAF	ASHRAE
Condensing temperature	55°C	55°C
Ambient and suction gas temp.	32°C	32°C
Liquid temperature	55°C	32°C
Fan cooling, 220V 50Hz		

**Accessories**

Devices	pcs.	SC18/18G
Starting relay	2	117U6019
Starting capacitor 80 µF	2	117U5017
Cover	2	103N2009
Cord relief	2	103N1004
Time-delay relay	1	117N0001
Check valve (to be used with time-delay relay)	2	020-1014
Service valve	1	118-7351 (16 mm)
Solder connector	1	118-7405 (16 mm)
Seal ring for service valve and solder connector	1	118-3638
Mounting accessories Bolt joint for one compressor Bolt joint in quantities	2	118-1917 118-1918



# SC21/21G Universal Twin Compressor R134a 220-240V 50Hz

Data Sheet (Replaces CD.44.J3.02)

## General

Compressor	<b>SC21/21G</b>
Code number	104G8180

## Application

Application		LBP/HBP
Evaporating temperature range	°C	-35 to 15
Voltage range <sup>*)</sup>	V/Hz	198 - 254 /50
Motor type		CSR
Max. ambient temperature	°C	43
Comp. cooling at ambient temp.	32°C	F <sub>2</sub>
	38°C	F <sub>2</sub>
	43°C	F <sub>2</sub>

<sup>\*)</sup> Not applicable below -25°C evaporating temperature in 43°C ambient temperature above 240V.

## Design

Displacement	cm <sup>3</sup>	2 x 20.95
Oil quantity	cm <sup>3</sup>	1220
Maximum refrigerant charge	g	2200
Free gas vol. in compressor	cm <sup>3</sup>	2920
Weight without electrical equipment	kg	28

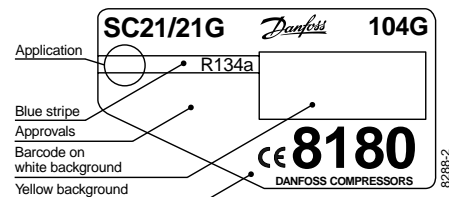
## Motor

Motor size	watt	2 x 550
LRA (rated after 4 sec. UL984) HST*	A	21.8
Cut-in current HST*	A	21.8
Resistance, main and start winding (25°C)	Ω	3.5/12.1
Approvals		EN 60335-2-34

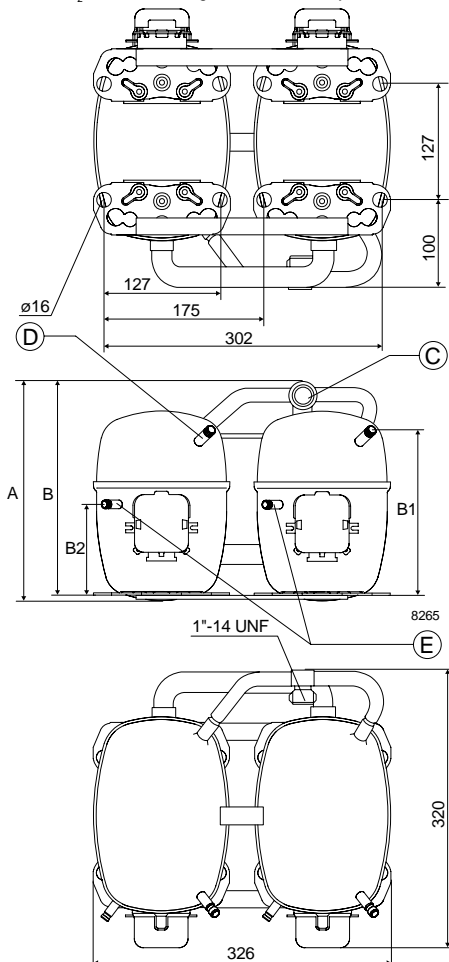
\* Operational current for the second compressor time-delayed.

## Dimensions

Height	mm	A	259
		B	254
		B1	193
		B2	110
Suction connector	location/I.D. mm	C	16
		D	6.2 ±0.09
Process connector	location/I.D. mm	E	6.2 ±0.09
Discharge connector	location/I.D. mm		
Compressors on a pallet	pcs.		18



- S = Static cooling normally sufficient
- O = Oil cooling
- F<sub>1</sub> = Fan cooling 1.5 m/s  
(compressor compartment temperature equal to ambient temperature)
- F<sub>2</sub> = Fan cooling 3.0 m/s necessary



**Capacity (EN 12900/CECOMAF)**

Comp. °C	-25	-23.3	-20	-15	-10	-5	0	5	7.2	10	15
SC21/21G	667	741	907	1212	1584	2025	2536	3120	3400	3778	4511

**Capacity (ASHRAE)**

Comp. °C	-25	-23.3	-20	-15	-10	-5	0	5	7.2	10	15
SC21/21G	820	912	1116	1493	1953	2500	3135	3862	4212	4684	5605

**Power consumption**

Comp. °C	-25	-23.3	-20	-15	-10	-5	0	5	7.2	10	15
SC21/21G	771	815	899	1026	1156	1289	1430	1581	1651	1744	1921

**Current consumption**

Comp. °C	-25	-23.3	-20	-15	-10	-5	0	5	7.2	10	15
SC21/21G	4.56	4.68	4.96	5.42	5.92	6.48	7.08	7.74	8.04	8.44	9.20

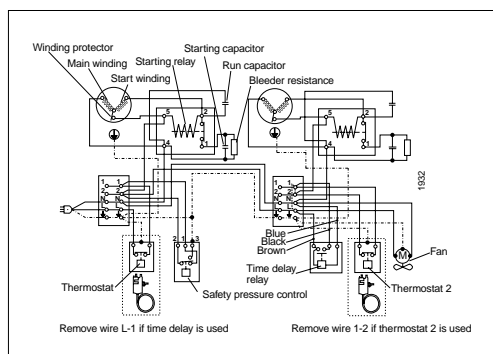
**COP (EN 12900/CECOMAF)**

Comp. °C	-25	-23.3	-20	-15	-10	-5	0	5	7.2	10	15
SC21/21G	0.87	0.92	1.02	1.19	1.38	1.58	1.78	1.98	2.07	2.18	2.37

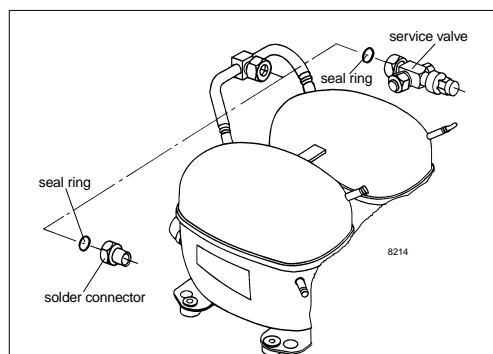
**COP (ASHRAE)**

Comp. °C	-25	-23.3	-20	-15	-10	-5	0	5	7.2	10	15
SC21/21G	1.07	1.13	1.25	1.47	1.70	1.95	2.20	2.45	2.56	2.70	2.94

Test conditions	EN 12900/CECOMAF	ASHRAE
Condensing temperature	55°C	55°C
Ambient and suction gas temp.	32°C	32°C
Liquid temperature	55°C	32°C
Fan cooling, 220V 50Hz		


**Accessories**

Devices	pcs.	SC21/21G
Starting device	2	117-7028 (470 mm cable length) 117-7029 (550 mm cable length) 117-7032 (650 mm cable length)
Cover	2	103N2009
Cord relief	2	103N1004
Time-delay relay	1	117N0001
Check valve (to be used with time-delay relay)	2	020-1014
Service valve	1	118-7351 (16 mm)
Solder connector	1	118-7405 (16 mm)
Seal ring for service valve and solder connector	1	118-3638
Mounting accessories	2	118-1917
Bolt joint for one compressor		118-1918
Bolt joint in quantities		118-1918



# TL4GH

## Heat Pump Compressor

### R134a

### 220-240V 50/60Hz

Data Sheet (Replaces CD.42.P4.02)

#### General

Compressor	TL4GH
Code number	102G4455

#### Application

Application	HBP
Evaporating temperature range	°C -15 to 15
Voltage range	V/Hz 198 - 254 /50 198 - 254 /60
Motor type	CSIR
Max. ambient temperature	°C 43
Comp. cooling at ambient temp.	32°C F <sub>2</sub> 38°C F <sub>2</sub> 43°C F <sub>2</sub>

#### Design

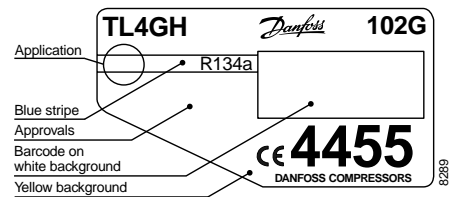
Displacement	cm <sup>3</sup>	3.86
Oil quantity	cm <sup>3</sup>	280
Maximum refrigerant charge	g	600
Free gas vol. in compressor	cm <sup>3</sup>	1690
Weight without electrical equipment	kg	7.5

#### Motor

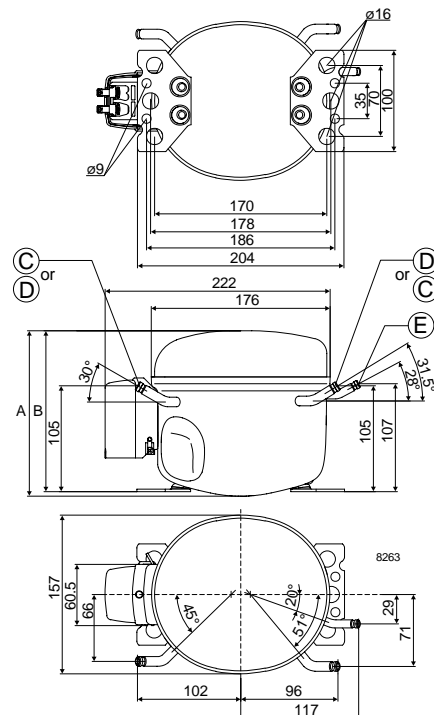
Motor size	watt	140
LRA (rated after 4 sec. UL984) HST	A	5.7
Cut-in current HST	A	5.7
Resistance, main and start winding (25°C)	Ω	14.5/14.8
Approvals	EN 60335-2-34, UL984/CSA-C22.2	

#### Dimensions

Height	mm	A	173
		B	169
Suction connector	location/I.D. mm	C	6.2 ±0.09
Process connector	location/I.D. mm	D	6.2 ±0.09
Discharge connector	location/I.D. mm	E	5.0 +0.12/+0.20
Compressors on a pallet	pcs.		125



- S = Static cooling normally sufficient
- O = Oil cooling
- F<sub>1</sub> = Fan cooling 1.5 m/s  
(compressor compartment temperature equal to ambient temperature)
- F<sub>2</sub> = Fan cooling 3.0 m/s necessary



**Capacity (EN 12900/CECOMAF)**

Evap. temp in °C	-15	-10	-5	0	5	7.2	10	15
TL4GH, 50Hz	104	140	182	230	287	315	353	429
TL4GH, 60Hz	118	160	208	264	328	360	403	489

**watt**
**Capacity (ASHRAE)**

Evap. temp in °C	-15	-10	-5	0	5	7.2	10	15
TL4GH, 50Hz	129	173	225	285	356	391	439	535
TL4GH, 60Hz	146	198	257	327	408	447	501	609

**watt**
**Power consumption**

Evap. temp in °C	-15	-10	-5	0	5	7.2	10	15
TL4GH, 50Hz	109	121	134	146	159	164	171	181
TL4GH, 60Hz	123	139	156	174	193	202	213	232

**watt**
**Current consumption**

Evap. temp in °C	-15	-10	-5	0	5	7.2	10	15
TL4GH, 50Hz	0.97	1.01	1.05	1.09	1.12	1.14	1.16	1.20
TL4GH, 60Hz	0.89	0.95	1.02	1.09	1.16	1.19	1.23	1.31

**A**
**COP (EN 12900/CECOMAF)**

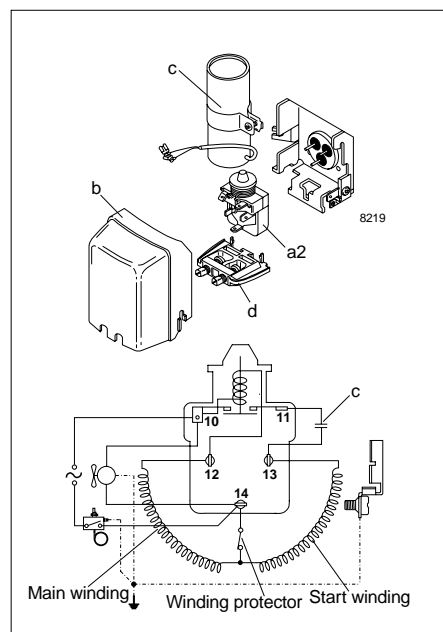
Evap. temp in °C	-15	-10	-5	0	5	7.2	10	15
TL4GH, 50Hz	0.96	1.16	1.36	1.57	1.81	1.92	2.07	2.37
TL4GH, 60Hz	0.96	1.15	1.33	1.51	1.70	1.78	1.90	2.11

**W/W**
**COP (ASHRAE)**

Evap. temp in °C	-15	-10	-5	0	5	7.2	10	15
TL4GH, 50Hz	1.18	1.43	1.68	1.95	2.24	2.38	2.57	2.95
TL4GH, 60Hz	1.19	1.43	1.65	1.88	2.11	2.22	2.36	2.63

**W/W**

Test conditions	EN 12900/CECOMAF	ASHRAE
Condensing temperature	55°C	55°C
Ambient and suction gas temp.	32°C	32°C
Liquid temperature	55°C	32°C
50Hz: Fan cooling F <sub>2</sub> , 220V		
60Hz: Fan cooling F <sub>2</sub> , 220V		


**Accessories**

Devices	Fig.	TL4GH
Starting relay	a2	117U6000
Cover	b	103N2011
Starting capacitor 60 µF	c	117U5014
Cord relief	d	103N1010
Mounting accessories		
Bolt joint for one compressor		118-1917
Bolt joint in quantities		118-1918
Snap-on in quantities		118-1919





**Capacity (EN 12900/CECOMAF)**
**watt**

Evap. temp in °C	-15	-10	-5	0	5	7.2	10	15
FR7GH, 50Hz	199	255	327	417	525	580	655	807
FR7GH, 60Hz	225	294	379	482	607	668	753	924

**Capacity (ASHRAE)**
**watt**

Evap. temp in °C	-15	-10	-5	0	5	7.2	10	15
FR7GH, 50Hz	246	316	405	516	652	720	814	1005
FR7GH, 60Hz	278	363	469	598	753	830	936	1151

**Power consumption**
**watt**

Evap. temp in °C	-15	-10	-5	0	5	7.2	10	15
FR7GH, 50Hz	165	192	217	239	258	266	274	288
FR7GH, 60Hz	184	217	251	284	317	331	350	383

**Current consumption**
**A**

Evap. temp in °C	-15	-10	-5	0	5	7.2	10	15
FR7GH, 50Hz	1.38	1.47	1.55	1.63	1.70	1.72	1.76	1.81
FR7GH, 60Hz	1.31	1.41	1.53	1.65	1.79	1.86	1.94	2.10

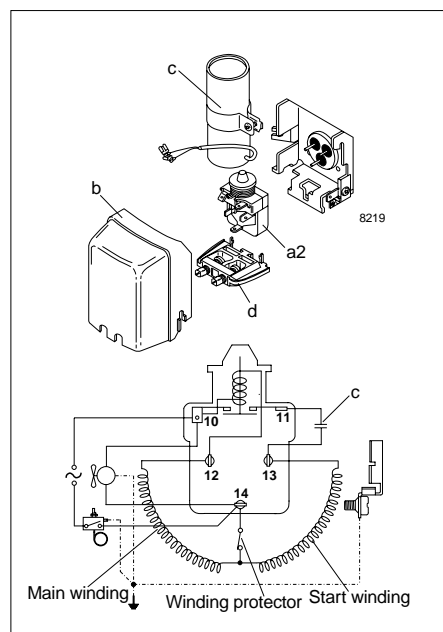
**COP (EN 12900/CECOMAF)**
**W/W**

Evap. temp in °C	-15	-10	-5	0	5	7.2	10	15
FR7GH, 50Hz	1.21	1.33	1.51	1.74	2.04	2.18	2.39	2.80
FR7GH, 60Hz	1.22	1.35	1.51	1.70	1.91	2.02	2.15	2.42

**COP (ASHRAE)**
**W/W**

Evap. temp in °C	-15	-10	-5	0	5	7.2	10	15
FR7GH, 50Hz	1.49	1.64	1.86	2.16	2.52	2.71	2.97	3.49
FR7GH, 60Hz	1.51	1.67	1.87	2.11	2.37	2.50	2.68	3.01

Test conditions	EN 12900/CECOMAF	ASHRAE
Condensing temperature	55°C	55°C
Ambient and suction gas temp.	32°C	32°C
Liquid temperature	55°C	32°C
50Hz: Oil or Fan cooling, 220V		
60Hz: Oil or Fan cooling, 220V		


**Accessories**

Devices	Fig.	FR7GH
Starting relay	a2	117U6016
Cover	b	103N2011
Starting capacitor 80 µF	c	117U5015
Cord relief	d	103N1010
Mounting accessories		
Bolt joint for one compressor		118-1917
Bolt joint in quantities		118-1918
Snap-on in quantities		118-1919

# SC10GH

## Heat Pump Compressor

### R134a

### 220-240V 50Hz

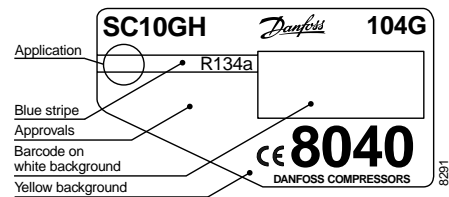
Data Sheet (Replaces CD.44.D4.02)

#### General

Compressor	<b>SC10GH</b>
Code number	104G8040

#### Application

Application		HBP
Evaporating temperature range	°C	-15 to 15
Voltage range	V/Hz	198 - 254 /50
Motor type		CSIR
Max. ambient temperature	°C	43
Comp. cooling at ambient temp.	32°C	F <sub>1</sub>
	38°C	F <sub>1</sub>
	43°C	F <sub>1</sub>



- S = Static cooling normally sufficient
- O = Oil cooling
- F<sub>1</sub> = Fan cooling 1.5 m/s  
(compressor compartment temperature equal to ambient temperature)
- F<sub>2</sub> = Fan cooling 3.0 m/s necessary

#### Design

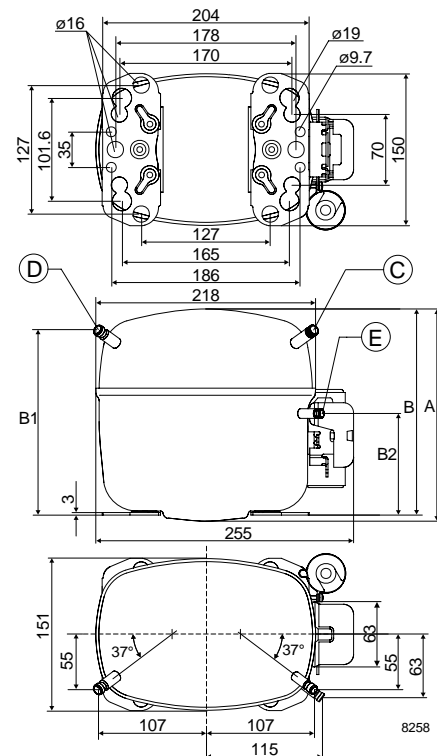
Displacement	cm <sup>3</sup>	10.29
Oil quantity	cm <sup>3</sup>	500
Maximum refrigerant charge	g	1300
Free gas vol. in compressor	cm <sup>3</sup>	1510
Weight without electrical equipment	kg	12.2

#### Motor

Motor size	watt	250
LRA (rated after 4 sec. UL984) HST	A	10.8
Cut-in current HST	A	10.8
Resistance, main and start winding (25°C)	Ω	8.5/14.1
Approvals		EN 60335-2-34

#### Dimensions

Height	mm	A	199
		B	193
		B1	173
		B2	90
Suction connector	location/I.D. mm	C	10.2 ±0.09
Process connector	location/I.D. mm	D	6.2 ±0.09
Discharge connector	location/I.D. mm	E	8.2 ±0.09
Compressors on a pallet	pcs.		80



**Capacity (EN 12900/CECOMAF)**
**watt**

Comp.°C	-15	-10	-5	0	5	10	15
SC10GH	259	352	467	604	762	942	1144

**Capacity (ASHRAE)**
**watt**

Comp.°C	-15	-10	-5	0	5	10	15
SC10GH	319	434	577	746	943	1168	1421

**Power consumption**
**watt**

Comp.°C	-15	-10	-5	0	5	10	15
SC10GH	245	284	323	359	392	421	443

**Current consumption**
**A**

Comp.°C	-15	-10	-5	0	5	10	15
SC10GH	1.65	1.80	1.94	2.08	2.20	2.31	2.41

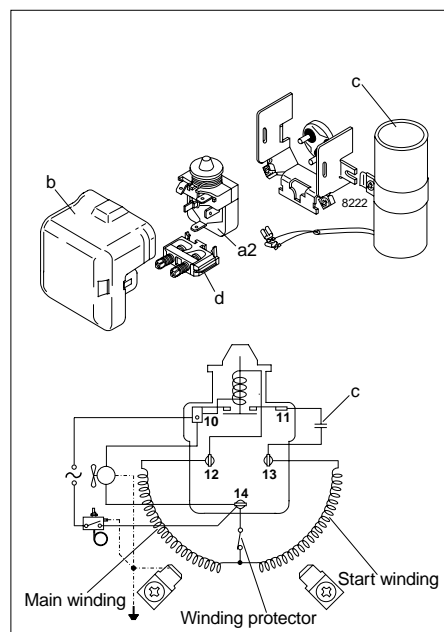
**COP (EN 12900/CECOMAF)**
**W/W**

Comp.°C	-15	-10	-5	0	5	10	15
SC10GH	1.06	1.24	1.45	1.68	1.94	2.24	2.58

**COP (ASHRAE)**
**W/W**

Comp.°C	-15	-10	-5	0	5	10	15
SC10GH	1.30	1.53	1.79	2.08	2.40	2.78	3.21

Test conditions	EN 12900/CECOMAF	ASHRAE
Condensing temperature	55°C	55°C
Ambient and suction gas temp.	32°C	32°C
Liquid temperature	55°C	32°C
Fan cooling, 220V 50Hz		


**Accessories**

Devices	Fig.	SC10GH
Starting Relay	a2	117U6002
Cover	b	103N2009
Starting capacitor 80 µF	c	117U5017
Cord relief	d	103N1004
Mounting accessories		
Bolt joint for one compressor		118-1917
Bolt joint in quantities		118-1918
Snap-on in quantities		118-1919

# SC12GH

## Heat Pump Compressor

### R134a

### 220-240V 50Hz

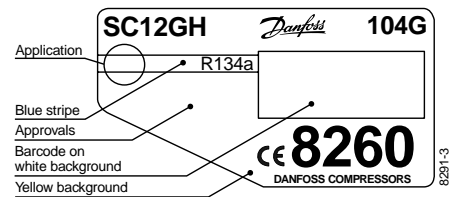
Data Sheet (Replaces CD.44.Q1.02)

#### General

Compressor	<b>SC12GH</b>
Code number	104G8260

#### Application

Application		HBP
Evaporating temperature range	°C	-15 to 15
Voltage range	V/Hz	198 - 254 / 50
Motor type		CSIR
Max. ambient temperature	°C	43
Comp. cooling at ambient temp.	32°C	F <sub>1</sub>
	38°C	F <sub>1</sub>
	43°C	F <sub>1</sub>



- S = Static cooling normally sufficient
- O = Oil cooling
- F<sub>1</sub> = Fan cooling 1.5 m/s  
(compressor compartment temperature equal to ambient temperature)
- F<sub>2</sub> = Fan cooling 3.0 m/s necessary

#### Design

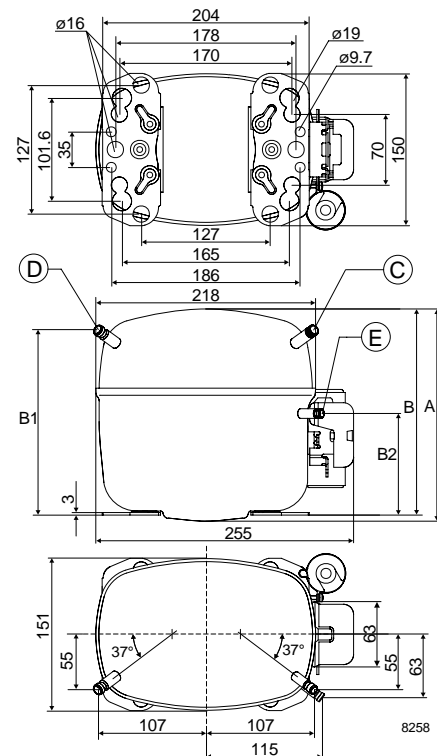
Displacement	cm <sup>3</sup>	12.87
Oil quantity	cm <sup>3</sup>	500
Maximum refrigerant charge	g	1300
Free gas vol. in compressor	cm <sup>3</sup>	1510
Weight without electrical equipment	kg	12.6

#### Motor

Motor size	watt	315
LRA (rated after 4 sec. UL984) HST	A	12.6
Cut-in current HST	A	12.6
Resistance, main and start winding (25°C)	Ω	6.7/11.8
Approvals		EN 60335-2-34

#### Dimensions

Height	mm	A	209
		B	203
		B1	183
		B2	100
Suction connector	location/I.D. mm	C	10.2 ±0.09
Process connector	location/I.D. mm	D	6.2 ±0.09
Discharge connector	location/I.D. mm	E	8.2 ±0.09
Compressors on a pallet	pcs.		80



**Capacity (EN 12900/CECOMAF)**

Comp. °C	-15	-10	-5	0	5	10	15
SC12GH	300	415	556	723	915	1134	1378

**Capacity (ASHRAE)**

Comp. °C	-15	-10	-5	0	5	10	15
SC12GH	370	512	686	893	1133	1406	1712

**Power consumption**

Comp. °C	-15	-10	-5	0	5	10	15
SC12GH	257	316	369	415	454	487	512

**Current consumption**

Comp. °C	-15	-10	-5	0	5	10	15
SC12GH	1.94	2.15	2.33	2.50	2.65	2.78	2.89

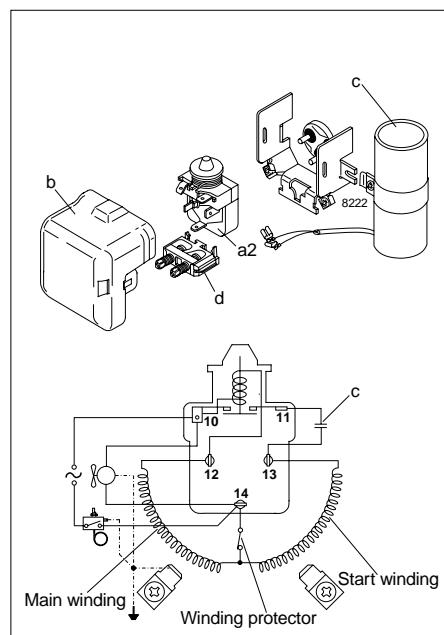
**COP (EN 12900/CECOMAF)**

Comp. °C	-15	-10	-5	0	5	10	15
SC12GH	1.17	1.31	1.51	1.74	2.02	2.33	2.69

**COP (ASHRAE)**

Comp. °C	-15	-10	-5	0	5	10	15
SC12GH	1.44	1.62	1.86	2.15	2.49	2.89	3.34

Test conditions	EN 12900/CECOMAF	ASHRAE
Condensing temperature	55°C	55°C
Ambient and suction gas temp.	32°C	32°C
Liquid temperature	55°C	32°C
Fan cooling, 220V 50Hz		


**Accessories**

Devices	Fig.	SC12GH
Starting Relay	a2	117U6003
Cover	b	103N2009
Starting capacitor 80 µF	c	117U5017
Cord relief	d	103N1004
Mounting accessories		
Bolt joint for one compressor		118-1917
Bolt joint in quantities		118-1918
Snap-on in quantities		118-1919

# SC15GH

## Heat Pump Compressor

### R134a

### 220-240V 50Hz

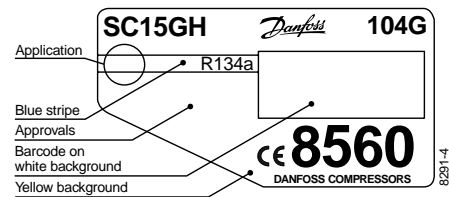
Data Sheet (Replaces CD.44.I4.02)

#### General

Compressor	<b>SC15GH</b>
Code number	104G8560

#### Application

Application	HBP	
Evaporating temperature range	°C	-15 to 15
Voltage range	V/Hz	198 - 254 /50
Motor type	CSIR	
Max. ambient temperature	°C	43
Comp. cooling at ambient temp.	32°C	F <sub>1</sub>
	38°C	F <sub>1</sub>
	43°C	F <sub>1</sub>



- S = Static cooling normally sufficient
- O = Oil cooling
- F<sub>1</sub> = Fan cooling 1.5 m/s  
(compressor compartment temperature equal to ambient temperature)
- F<sub>2</sub> = Fan cooling 3.0 m/s necessary

#### Design

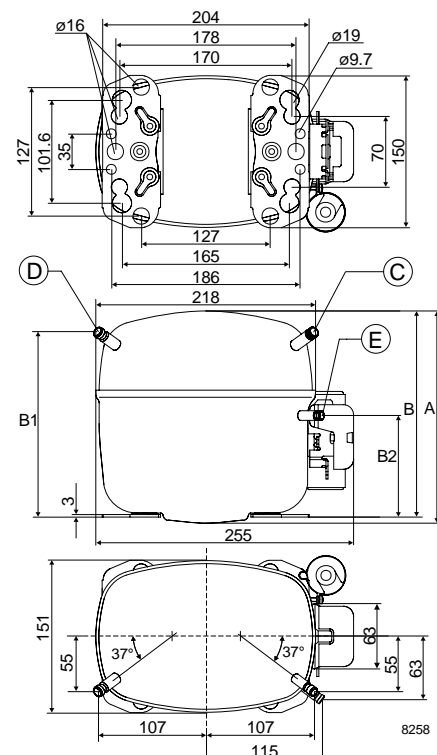
Displacement	cm <sup>3</sup>	15.28
Oil quantity	cm <sup>3</sup>	500
Maximum refrigerant charge	g	1300
Free gas vol. in compressor	cm <sup>3</sup>	1410
Weight without electrical equipment	kg	13.5

#### Motor

Motor size	watt	385
LRA (rated after 4 sec. UL984) HST	A	14.8
Cut-in current HST	A	14.8
Resistance, main and start winding (25°C)	Ω	5.0/13.7
Approvals	EN 60335-2-34	

#### Dimensions

Height	mm	A	209
		B	203
		B1	183
		B2	100
Suction connector	location/I.D. mm	C	10.2 ±0.09
Process connector	location/I.D. mm	D	6.2 ±0.09
Discharge connector	location/I.D. mm	E	8.2 ±0.09
Compressors on a pallet	pcs.	80	



**Capacity (EN 12900/CECOMAF)**
**watt**

Comp.°C	-15	-10	-5	0	5	10	15
SC15GH	435	573	731	916	1139	1407	1731

**Capacity (ASHRAE)**
**watt**

Comp.°C	-15	-10	-5	0	5	10	15
SC15GH	536	707	902	1133	1410	1745	2150

**Power consumption**
**watt**

Comp.°C	-15	-10	-5	0	5	10	15
SC15GH	360	424	482	535	586	638	692

**Current consumption**
**A**

Comp.°C	-15	-10	-5	0	5	10	15
SC15GH	2.47	2.64	2.83	3.04	3.26	3.48	3.70

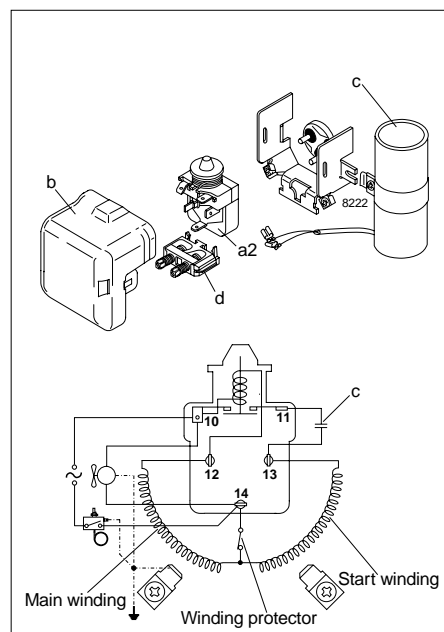
**COP (EN 12900/CECOMAF)**
**W/W**

Comp.°C	-15	-10	-5	0	5	10	15
SC15GH	1.21	1.35	1.52	1.71	1.94	2.21	2.50

**COP (ASHRAE)**
**W/W**

Comp.°C	-15	-10	-5	0	5	10	15
SC15GH	1.49	1.67	1.87	2.12	2.41	2.74	3.11

Test conditions	EN 12900/CECOMAF	ASHRAE
Condensing temperature	55°C	55°C
Ambient and suction gas temp.	32°C	32°C
Liquid temperature	55°C	32°C
Fan cooling, 220V 50Hz		


**Accessories**

Devices	Fig.	SC15GH
Starting relay	a2	117U6005
Cover	b	103N2009
Starting capacitor 80 µF	c	117U5017
Cord relief	d	103N1004
Mounting accessories		
Bolt joint for one compressor		118-1917
Bolt joint in quantities		118-1918
Snap-on in quantities		118-1919



# SC18GH

## Heat Pump Compressor

### R134a

### 220-240V 50Hz

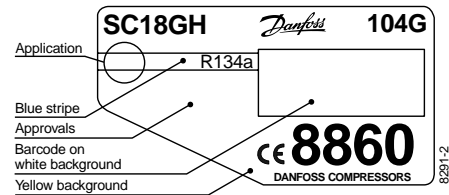
Data Sheet (Replaces CD.44.W1.02)

#### General

Compressor	<b>SC18GH</b>
Code number	104G8860

#### Application

Application		HBP
Evaporating temperature range	°C	-15 to 15
Voltage range	V/Hz	198 - 254 /50
Motor type		CSIR
Max. ambient temperature	°C	43
Comp. cooling at ambient temp.	32°C	F <sub>2</sub>
	38°C	F <sub>2</sub>
	43°C	F <sub>2</sub>



- S = Static cooling normally sufficient
- O = Oil cooling
- F<sub>1</sub> = Fan cooling 1.5 m/s  
(compressor compartment temperature equal to ambient temperature)
- F<sub>2</sub> = Fan cooling 3.0 m/s necessary

#### Design

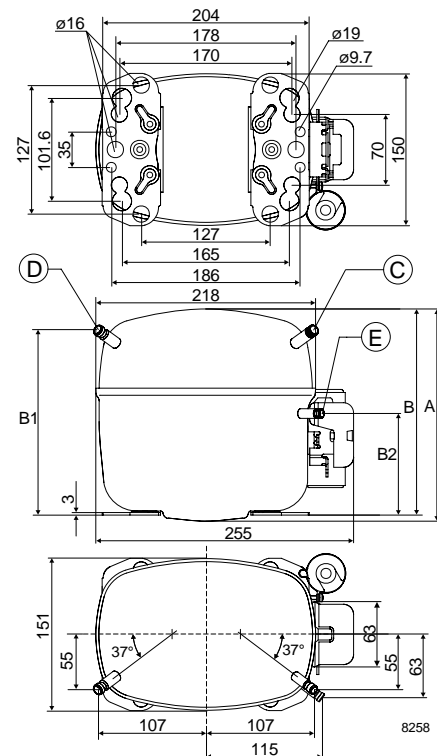
Displacement	cm <sup>3</sup>	17.69
Oil quantity	cm <sup>3</sup>	500
Maximum refrigerant charge	g	1300
Free gas vol. in compressor	cm <sup>3</sup>	1460
Weight without electrical equipment	kg	13.7

#### Motor

Motor size	watt	495
LRA (rated after 4 sec. UL984) HST	A	18.6
Cut-in current HST	A	18.6
Resistance, main and start winding (25°C)	Ω	3.7/14.1
Approvals		EN 60335-2-34

#### Dimensions

Height	mm	A	219
		B	213
		B1	193
		B2	110
Suction connector	location/I.D. mm	C	10.2 ±0.09
Process connector	location/I.D. mm	D	6.2 ±0.09
Discharge connector	location/I.D. mm	E	8.2 ±0.09
Compressors on a pallet	pcs.		80



**Capacity (EN 12900/CECOMAF)**
**watt**

Comp.°C	-15	-10	-5	0	5	10	15
SC18GH	539	676	855	1077	1340	1645	1990

**Capacity (ASHRAE)**
**watt**

Comp.°C	-15	-10	-5	0	5	10	15
SC18GH	664	833	1056	1331	1659	2039	2472

**Power consumption**
**watt**

Comp.°C	-15	-10	-5	0	5	10	15
SC18GH	425	498	567	633	697	758	817

**Current consumption**
**A**

Comp.°C	-15	-10	-5	0	5	10	15
SC18GH	2.90	3.13	3.36	3.60	3.85	4.11	4.38

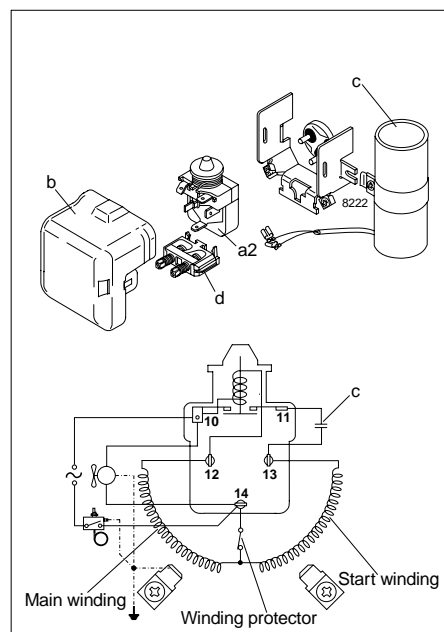
**COP (EN 12900/CECOMAF)**
**W/W**

Comp.°C	-15	-10	-5	0	5	10	15
SC18GH	1.27	1.36	1.51	1.70	1.92	2.17	2.44

**COP (ASHRAE)**
**W/W**

Comp.°C	-15	-10	-5	0	5	10	15
SC18GH	1.56	1.67	1.86	2.10	2.38	2.69	3.03

Test conditions	EN 12900/CECOMAF	ASHRAE
Condensing temperature	55°C	55°C
Ambient and suction gas temp.	32°C	32°C
Liquid temperature	55°C	32°C
Fan cooling, 220V 50Hz		


**Accessories**

Devices	Fig.	SC18GH
Starting relay	a2	117U6019
Cover	b	103N2009
Starting capacitor 80 µF	c	117U5017
Cord relief	d	103N1004
Mounting accessories		
Bolt joint for one compressor		118-1917
Bolt joint in quantities		118-1918
Snap-on in quantities		118-1919

# SC10GHH

## Heat Pump Compressor

### R134a

### 220-240V 50Hz

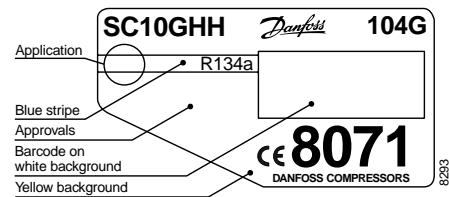
Data Sheet (Replaces CD.44.E5.02)

#### General

Compressor	<b>SC10GHH</b>
Code number compressor with oil cooler	104G8071

#### Application

Application		HBP
Evaporating temperature range	°C	-15 to 15
Voltage range	V/Hz	198 - 254 / 50
Motor type		CSR
Max. ambient temperature	°C	43
Comp. cooling at ambient temp.	32°C	O
	38°C	O
	43°C	O



- S = Static cooling normally sufficient
- O = Oil cooling
- F<sub>1</sub> = Fan cooling 1.5 m/s  
(compressor compartment temperature equal to ambient temperature)
- F<sub>2</sub> = Fan cooling 3.0 m/s necessary

#### Design

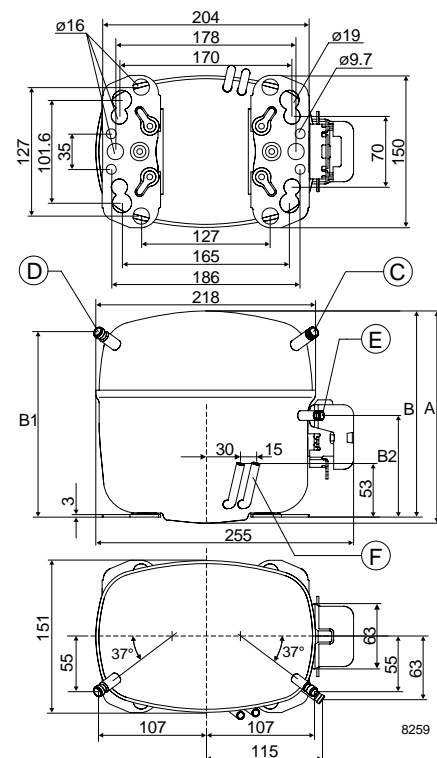
Displacement	cm <sup>3</sup>	10.29
Oil quantity	cm <sup>3</sup>	450
Maximum refrigerant charge	g	1300
Free gas vol. in compressor	cm <sup>3</sup>	1640
Weight without electrical equipment	kg	13.3

#### Motor

Motor size	watt	240
LRA (rated after 4 sec. UL984) HST	A	8.9
Cut-in current HST	A	8.9
Resistance, main and start winding (25°C)	Ω	10.9/37.3
Approvals		EN 60335-2-34

#### Dimensions

Height	mm	A	209
		B	203
		B1	183
		B2	100
Suction connector	location/I.D. mm	C	10.2 ±0.09
Process connector	location/I.D. mm	D	6.2 ±0.09
Discharge connector	location/I.D. mm	E	8.2 ±0.09
Oil cooler	location/I.D. mm	F	8.2 ±0.09
Compressors on a pallet	pcs.		80



**Capacity (EN 12900/CECOMAF) watt**

Comp. °C	-15	-10	-5	0	5	10	15
SC10GHH	259	352	467	604	762	942	1144

**Capacity (ASHRAE) watt**

Comp. °C	-15	-10	-5	0	5	10	15
SC10GHH	319	434	577	746	943	1168	1421

**Power consumption watt**

Comp. °C	-15	-10	-5	0	5	10	15
SC10GHH	230	260	290	318	345	371	395

**Current consumption A**

Comp. °C	-15	-10	-5	0	5	10	15
SC10GHH	1.03	1.15	1.28	1.40	1.53	1.66	1.77

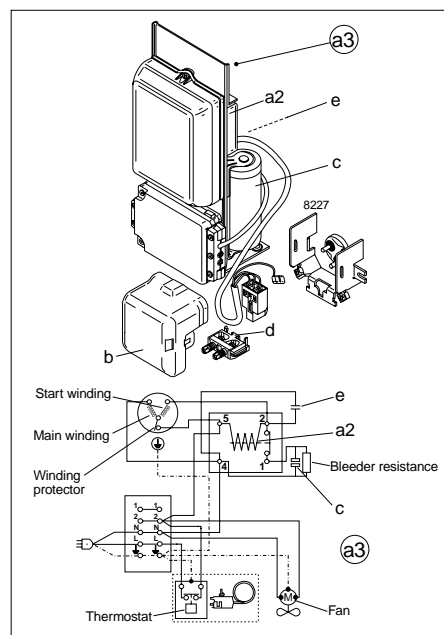
**COP (EN 12900/CECOMAF) W/W**

Comp. °C	-15	-10	-5	0	5	10	15
SC10GHH	1.13	1.35	1.61	1.90	2.21	2.54	2.90

**COP (ASHRAE) W/W**

Comp. °C	-15	-10	-5	0	5	10	15
SC10GHH	1.39	1.67	1.99	2.35	2.73	3.15	3.60

Test conditions	EN 12900/CECOMAF	ASHRAE
Condensing temperature	55°C	55°C
Ambient and suction gas temp.	32°C	32°C
Liquid temperature	55°C	32°C
Fan cooling, 220V 50Hz		



**Accessories**

Devices	Fig.	SC10GHH
Starting device	a3	117-7011 (470 mm cable length) 117-7014 (1000 mm cable length)
Cover	b	103N2009
Starting relay	a2	Components of starting device
Starting capacitor	c	
Run capacitor	e	
Cord relief	d	103N1004
Mounting accessories		
Bolt joint for one compressor		118-1917
Bolt joint in quantities		118-1918
Snap-on in quantities		118-1919

# SC15GHH

## Heat Pump Compressor

### R134a

### 220-240V 50Hz

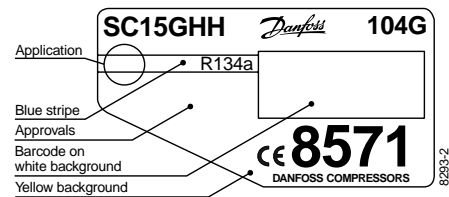
Data Sheet (CD.44.T1.02)

#### General

Compressor	<b>SC15GHH</b>
Code number compressor with oil cooler	104G8571

#### Application

Application		HBP
Evaporating temperature range	°C	-15 to 15
Voltage range	V/Hz	198 - 254 /50
Motor type		CSR
Max. ambient temperature	°C	43
Comp. cooling at ambient temp.	32°C	O
	38°C	O
	43°C	O



- S = Static cooling normally sufficient
- O = Oil cooling
- F<sub>1</sub> = Fan cooling 1.5 m/s  
(compressor compartment temperature equal to ambient temperature)
- F<sub>2</sub> = Fan cooling 3.0 m/s necessary

#### Design

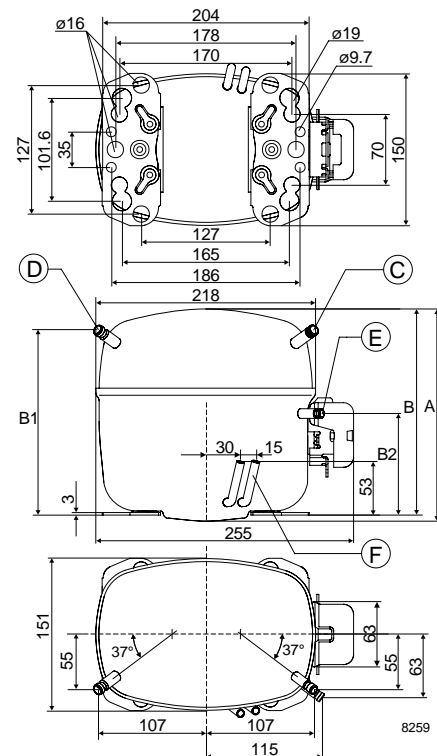
Displacement	cm <sup>3</sup>	15.28
Oil quantity	cm <sup>3</sup>	450
Maximum refrigerant charge	g	1300
Free gas vol. in compressor	cm <sup>3</sup>	1540
Weight without electrical equipment	kg	13.4

#### Motor

Motor size	watt	385
LRA (rated after 4 sec. UL984) HST	A	14.8
Cut-in current HST	A	14.8
Resistance, main and start winding (25°C)	Ω	5.0/13.7
Approvals		EN 60335-2-34

#### Dimensions

Height	mm	A	209
		B	203
		B1	183
		B2	100
Suction connector	location/I.D. mm	C	10.2 ±0.09
Process connector	location/I.D. mm	D	6.2 ±0.09
Discharge connector	location/I.D. mm	E	8.2 ±0.09
Oil cooler	location/I.D. mm	F	8.2 ±0.09
Compressors on a pallet	pcs.		80



**Capacity (EN 12900/CECOMAF)**
**watt**

Comp. °C	-15	-10	-5	0	5	10	15
SC15GHH	435	570	726	911	1135	1405	1731

**Capacity (ASHRAE)**
**watt**

Comp. °C	-15	-10	-5	0	5	10	15
SC15GHH	536	703	896	1127	1405	1742	2150

**Power consumption**
**watt**

Comp. °C	-15	-10	-5	0	5	10	15
SC15GHH	345	377	417	461	505	543	573

**Current consumption**
**A**

Comp. °C	-15	-10	-5	0	5	10	15
SC15GHH	1.71	1.84	2.01	2.20	2.39	2.56	2.70

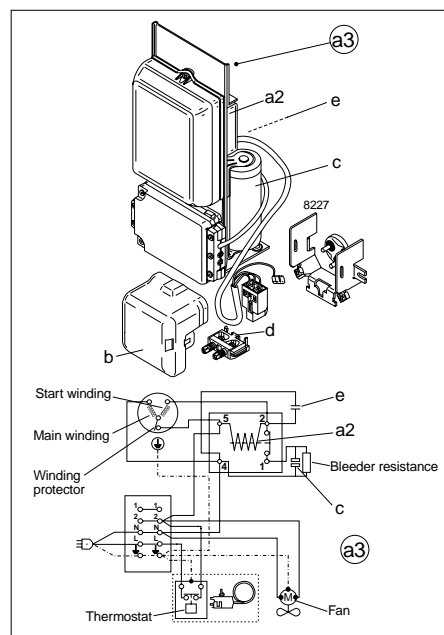
**COP (EN 12900/CECOMAF)**
**W/W**

Comp. °C	-15	-10	-5	0	5	10	15
SC15GHH	1.26	1.51	1.74	1.98	2.25	2.59	3.02

**COP (ASHRAE)**
**W/W**

Comp. °C	-15	-10	-5	0	5	10	15
SC15GHH	1.55	1.87	2.15	2.44	2.78	3.21	3.75

Test conditions	EN 12900/CECOMAF	ASHRAE
Condensing temperature	55°C	55°C
Ambient and suction gas temp.	32°C	32°C
Liquid temperature	55°C	32°C
Fan cooling, 220V 50Hz		


**Accessories**

Devices	Fig.	SC15GHH
Starting device	a3	117-7012 (470 mm cable length)
Cover	b	103N2009
Starting relay	a2	Components of starting device
Starting capacitor	c	
Run capacitor	e	
Cord relief	d	103N1004
Mounting accessories		
Bolt joint for one compressor		118-1917
Bolt joint in quantities		118-1918
Snap-on in quantities		118-1919

# SC10GH

## Heat Pump Compressor

### R134a

### 220-240V 50/60Hz

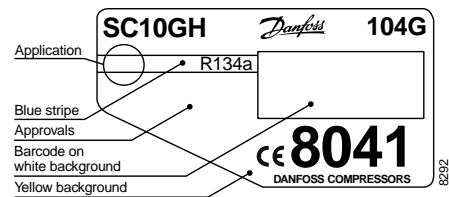
Data Sheet (Replaces CD.44.G4.02)

#### General

Compressor	<b>SC10GH</b>
Code number	104G8041

#### Application

Application	HBP	
Evaporating temperature range	°C	-15 to 15
Voltage range	V/Hz	198 - 254 /50
		198 - 254 /60
Motor type	CSIR	
Max. ambient temperature	°C	43
Comp. cooling at ambient temp.	32°C	F <sub>2</sub>
	38°C	F <sub>2</sub>
	43°C	F <sub>2</sub>



- S = Static cooling normally sufficient
- O = Oil cooling
- F<sub>1</sub> = Fan cooling 1.5 m/s  
(compressor compartment temperature equal to ambient temperature)
- F<sub>2</sub> = Fan cooling 3.0 m/s necessary

#### Design

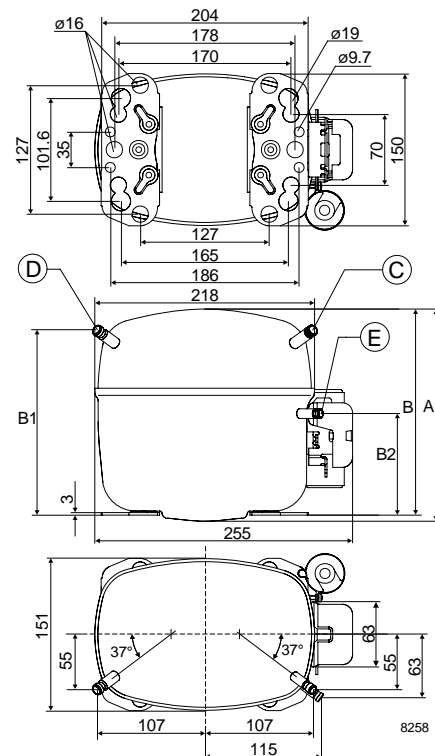
Displacement	cm <sup>3</sup>	10.29
Oil quantity	cm <sup>3</sup>	500
Maximum refrigerant charge	g	1300
Free gas vol. in compressor	cm <sup>3</sup>	1410
Weight without electrical equipment	kg	12.2

#### Motor

Motor size	watt	385
LRA (rated after 4 sec. UL984) HST	A	14.8
Cut-in current HST	A	14.8
Resistance, main and start winding (25°C)	Ω	5.0/13.7
Approvals	EN 60335-2-34, UL984/CSA-C22.2	

#### Dimensions

Height	mm	A	199
		B	193
		B1	173
		B2	90
Suction connector	location/I.D. mm	C	10.2 ±0.09
Process connector	location/I.D. mm	D	6.2 ±0.09
Discharge connector	location/I.D. mm	E	8.2 ±0.09
Compressors on a pallet	pcs.		80



**Capacity (EN 12900/CECOMAF)**

Evap. temp in °C	-15	-10	-5	0	5	7.2	10	15
SC10GH, 50Hz	233	352	478	613	762	832	927	1113
SC10GH, 60Hz	318	421	541	683	849	930	1042	1265

**watt**
**Capacity (ASHRAE)**

Evap. temp in °C	-15	-10	-5	0	5	7.2	10	15
SC10GH, 50Hz	288	435	591	759	945	1033	1152	1386
SC10GH, 60Hz	393	520	670	846	1053	1155	1295	1575

**watt**
**Power consumption**

Evap. temp in °C	-15	-10	-5	0	5	7.2	10	15
SC10GH, 50Hz	235	281	323	361	395	409	426	453
SC10GH, 60Hz	287	340	392	444	496	518	545	593

**watt**
**Current consumption**

Evap. temp in °C	-15	-10	-5	0	5	7.2	10	15
SC10GH, 50Hz	2.34	2.57	2.80	3.03	3.26	3.36	3.48	3.70
SC10GH, 60Hz	2.13	2.37	2.63	2.90	3.18	3.30	3.46	3.76

**A**
**COP (EN 12900/CECOMAF)**

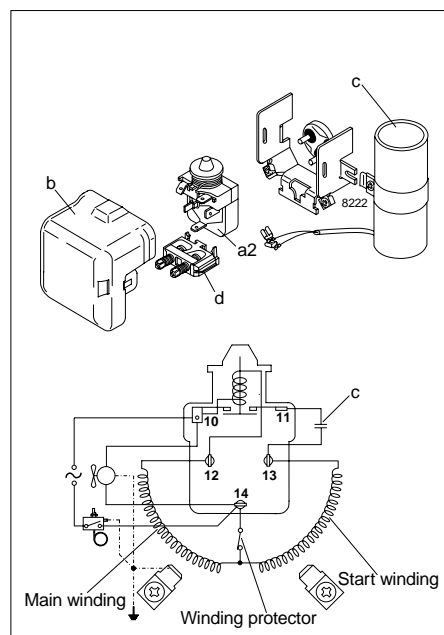
Evap. temp in °C	-15	-10	-5	0	5	7.2	10	15
SC10GH, 50Hz	0.99	1.25	1.48	1.70	1.93	2.03	2.18	2.46
SC10GH, 60Hz	1.11	1.24	1.38	1.54	1.71	1.80	1.91	2.13

**W/W**
**COP (ASHRAE)**

Evap. temp in °C	-15	-10	-5	0	5	7.2	10	15
SC10GH, 50Hz	1.22	1.55	1.83	2.11	2.39	2.53	2.71	3.06
SC10GH, 60Hz	1.37	1.53	1.71	1.90	2.13	2.23	2.37	2.66

**W/W**

Test conditions	EN 12900/CECOMAF	ASHRAE
Condensing temperature	55°C	55°C
Ambient and suction gas temp.	32°C	32°C
Liquid temperature	55°C	32°C
50Hz: Fan cooling F <sub>2</sub> , 220V		
60Hz: Fan cooling F <sub>2</sub> , 220V		


**Accessories**

Devices	Fig.	SC10GH
Starting Relay	a2	117U6005
Cover	b	103N2008
Starting capacitor 80 µF	c	117U5017
Cord relief	d	103N1004
Mounting accessories		
Bolt joint for one compressor		118-1917
Bolt joint in quantities		118-1918
Snap-on in quantities		118-1919





**Capacity (EN 12900/CECOMAF)**
**watt**

Evap. temp in °C	-15	-10	-5	0	5	7.2	10	15
SC12GH, 50Hz		429	577	752	957	1058	1196	1471
SC12GH, 60Hz	371	511	680	880	1116	1233	1393	1714

**Capacity (ASHRAE)**
**watt**

Evap. temp in °C	-15	-10	-5	0	5	7.2	10	15
SC12GH, 50Hz		530	715	932	1188	1313	1486	1832
SC12GH, 60Hz	458	632	841	1090	1385	1531	1731	2135

**Power consumption**
**watt**

Evap. temp in °C	-15	-10	-5	0	5	7.2	10	15
SC12GH, 50Hz		356	401	445	487	505	526	561
SC12GH, 60Hz	332	389	445	501	556	579	608	658

**Current consumption**
**A**

Evap. temp in °C	-15	-10	-5	0	5	7.2	10	15
SC12GH, 50Hz		3.08	3.21	3.34	3.47	3.53	3.60	3.73
SC12GH, 60Hz	2.37	2.61	2.84	3.06	3.28	3.37	3.49	3.68

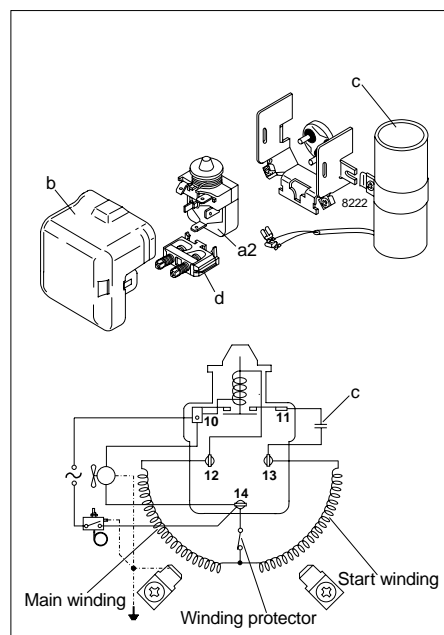
**COP (EN 12900/CECOMAF)**
**W/W**

Evap. temp in °C	-15	-10	-5	0	5	7.2	10	15
SC12GH, 50Hz		1.20	1.44	1.69	1.97	2.10	2.27	2.62
SC12GH, 60Hz	1.12	1.31	1.53	1.76	2.01	2.13	2.29	2.60

**COP (ASHRAE)**
**W/W**

Evap. temp in °C	-15	-10	-5	0	5	7.2	10	15
SC12GH, 50Hz		1.49	1.78	2.09	2.44	2.60	2.82	3.27
SC12GH, 60Hz	1.38	1.62	1.89	2.17	2.49	2.64	2.85	3.24

Test conditions	EN 12900/CECOMAF	ASHRAE
Condensing temperature	55°C	55°C
Ambient and suction gas temp.	32°C	32°C
Liquid temperature	55°C	32°C
50Hz: Fan cooling F <sub>2</sub> , 220V		
60Hz: Fan cooling F <sub>2</sub> , 220V		


**Accessories**

Devices	Fig.	SC12GH
Starting Relay	a2	117U6011
Cover	b	103N2008
Starting capacitor 80 µF	c	117U5017
Cord relief	d	103N1004
Mounting accessories		
Bolt joint for one compressor		118-1917
Bolt joint in quantities		118-1918
Snap-on in quantities		118-1919

# SC15GH

## Heat Pump Compressor

### R134a

### 220-240V 50/60Hz

Data Sheet (Replaces CD.44.S1.02)

#### General

Compressor	<b>SC15GH</b>
Code number	104G8561

#### Application

Application	HBP	
Evaporating temperature range	°C	50 Hz: -10 to 15 60 Hz: -15 to 15
Voltage range	V/Hz	198 - 254 /50 198 - 254 /60
Motor type	CSIR	
Max. ambient temperature	°C	43
Comp. cooling at ambient temp.	32°C	F <sub>2</sub>
	38°C	F <sub>2</sub>
	43°C	F <sub>2</sub>

#### Design

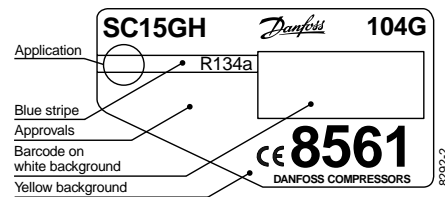
Displacement	cm <sup>3</sup>	15.28
Oil quantity	cm <sup>3</sup>	500
Maximum refrigerant charge	g	1300
Free gas vol. in compressor	cm <sup>3</sup>	1410
Weight without electrical equipment	kg	13.5

#### Motor

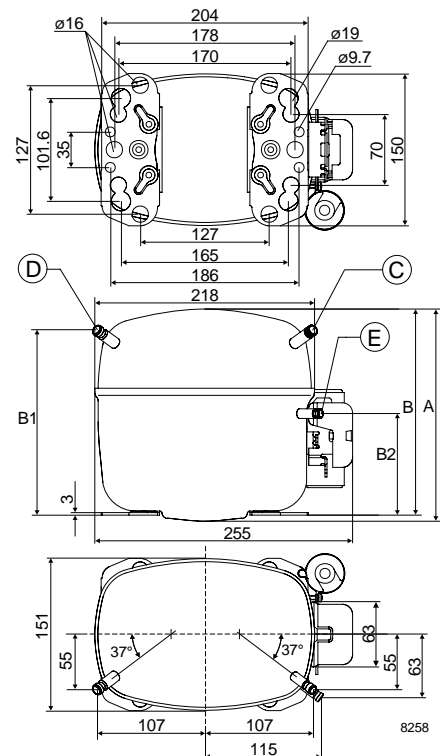
Motor size	watt	470
LRA (rated after 4 sec. UL984) HST	A	19.7
Cut-in current HST	A	19.7
Resistance, main and start winding (25°C)	Ω	4.3/15.3
Approvals	EN 60335-2-34, UL984/CSA-C22.2	

#### Dimensions

Height	mm	A	209
		B	203
		B1	183
		B2	100
Suction connector	location/I.D. mm	C	10.2 ±0.09
Process connector	location/I.D. mm	D	6.2 ±0.09
Discharge connector	location/I.D. mm	E	8.2 ±0.09
Compressors on a pallet	pcs.		80



- S = Static cooling normally sufficient
- O = Oil cooling
- F<sub>1</sub> = Fan cooling 1.5 m/s (compressor compartment temperature equal to ambient temperature)
- F<sub>2</sub> = Fan cooling 3.0 m/s necessary



**Capacity (EN 12900/CECOMAF)**
**watt**

Evap. temp in °C	-15	-10	-5	0	5	7.2	10	15
SC15GH, 50Hz		559	723	915	1139	1249	1398	1698
SC15GH, 60Hz	425	582	776	1012	1295	1436	1629	2019

**Capacity (ASHRAE)**
**watt**

Evap. temp in °C	-15	-10	-5	0	5	7.2	10	15
SC15GH, 50Hz		691	895	1134	1413	1550	1738	2114
SC15GH, 60Hz	524	719	960	1254	1607	1782	2025	2515

**Power consumption**
**watt**

Evap. temp in °C	-15	-10	-5	0	5	7.2	10	15
SC15GH, 50Hz		424	479	526	565	580	596	618
SC15GH, 60Hz	355	424	494	566	639	671	711	782

**Current consumption**
**A**

Evap. temp in °C	-15	-10	-5	0	5	7.2	10	15
SC15GH, 50Hz		3.33	3.46	3.59	3.73	3.79	3.87	4.01
SC15GH, 60Hz	2.37	2.67	2.97	3.24	3.50	3.61	3.74	3.97

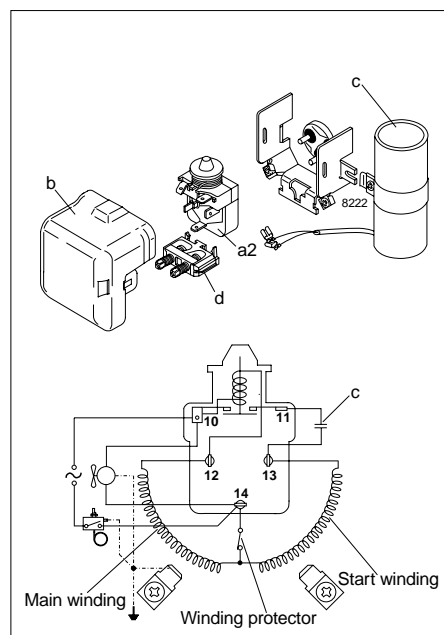
**COP (EN 12900/CECOMAF)**
**W/W**

Evap. temp in °C	-15	-10	-5	0	5	7.2	10	15
SC15GH, 50Hz		1.32	1.51	1.74	2.02	2.15	2.35	2.75
SC15GH, 60Hz	1.20	1.37	1.57	1.79	2.03	2.14	2.29	2.58

**COP (ASHRAE)**
**W/W**

Evap. temp in °C	-15	-10	-5	0	5	7.2	10	15
SC15GH, 50Hz		1.63	1.87	2.16	2.50	2.67	2.92	3.42
SC15GH, 60Hz	1.48	1.70	1.94	2.21	2.51	2.66	2.85	3.22

Test conditions	EN 12900/CECOMAF	ASHRAE
Condensing temperature	55°C	55°C
Ambient and suction gas temp.	32°C	32°C
Liquid temperature	55°C	32°C
50Hz: Fan cooling F <sub>2</sub> , 220V		
60Hz: Fan cooling F <sub>2</sub> , 220V		


**Accessories**

Devices	Fig.	SC15GH
Starting Relay	a2	117U6011
Cover	b	103N2008
Starting capacitor 80 µF	c	117U5017
Cord relief	d	103N1004
Mounting accessories		
Bolt joint for one compressor		118-1917
Bolt joint in quantities		118-1918
Snap-on in quantities		118-1919

# SC18GH

## Heat Pump Compressor

### R134a

### 220-240V 50/60Hz

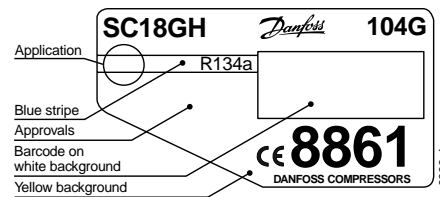
#### Data Sheet

#### General

Compressor	<b>SC18GH</b>
Code number	104G8861

#### Application

Application	HBP
Evaporating temperature range	°C -15 to 15
Voltage range	V/Hz 198 - 254 /50 198 - 254 /60
Motor type	CSR
Max. ambient temperature	°C 43
Comp. cooling at ambient temp.	32°C F <sub>2</sub> 38°C F <sub>2</sub> 43°C F <sub>2</sub>



- S = Static cooling normally sufficient
- O = Oil cooling
- F<sub>1</sub> = Fan cooling 1.5 m/s  
(compressor compartment temperature equal to ambient temperature)
- F<sub>2</sub> = Fan cooling 3.0 m/s necessary

#### Design

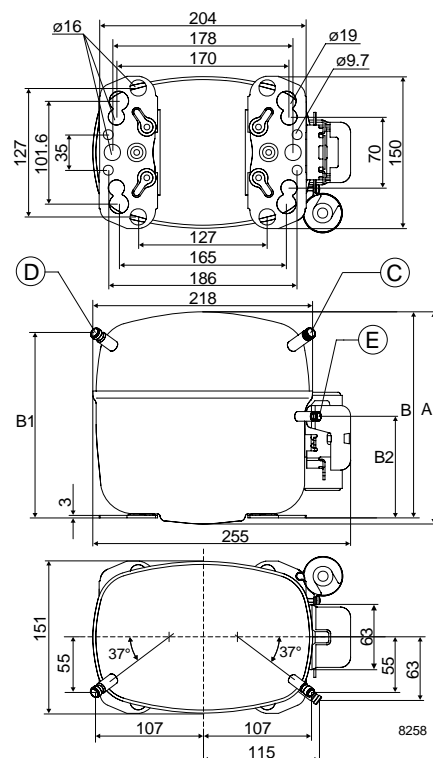
Displacement	cm <sup>3</sup>	17.69
Oil quantity	cm <sup>3</sup>	500
Maximum refrigerant charge	g	1300
Free gas vol. in compressor	cm <sup>3</sup>	1460
Weight without electrical equipment	kg	13.7

#### Motor

Motor size	watt	550
LRA (rated after 4 sec. UL984) HST	A	21.8
Cut-in current HST	A	21.8
Resistance, main and start winding (25°C)	Ω	3.5/12.1
Approvals	EN 60335-2-34, UL984/CSA-C22.2	

#### Dimensions

Height	mm	A	219
		B	213
		B1	193
		B2	110
Suction connector	location/I.D. mm	C	10.2 ±0.09
Process connector	location/I.D. mm	D	6.2 ±0.09
Discharge connector	location/I.D. mm	E	8.2 ±0.09
Compressors on a pallet	pcs.		80



**Capacity (EN 12900/CECOMAF)**

Evap. temp in °C	-15	-10	-5	0	5	7.2	10	15
SC18GH, 50Hz	485	639	825	1047	1310	1440	1618	1976
SC18GH, 60Hz	573	745	955	1207	1506	1654	1858	2268

**Capacity (ASHRAE)**

Evap. temp in °C	-15	-10	-5	0	5	7.2	10	15
SC18GH, 50Hz	600	790	1021	1298	1626	1788	2011	2461
SC18GH, 60Hz	707	921	1181	1495	1869	2054	2310	2825

**Power consumption**

Evap. temp in °C	-15	-10	-5	0	5	7.2	10	15
SC18GH, 50Hz	404	452	503	554	605	626	651	692
SC18GH, 60Hz	449	511	577	643	708	736	770	826

**Current consumption**

Evap. temp in °C	-15	-10	-5	0	5	7.2	10	15
SC18GH, 50Hz	2.44	2.66	2.86	3.06	3.26	3.34	3.45	3.63
SC18GH, 60Hz	2.14	2.45	2.75	3.05	3.35	3.48	3.65	3.94

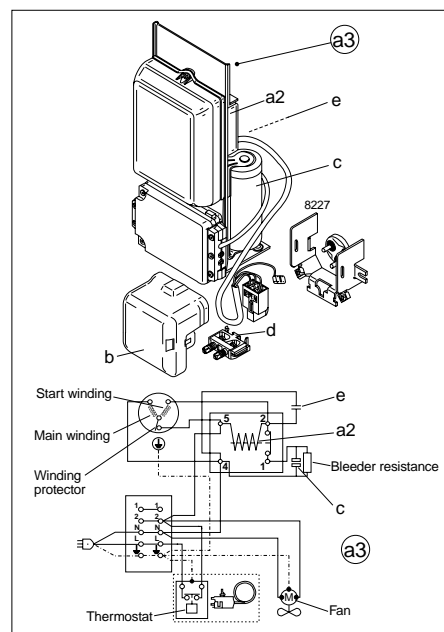
**COP (EN 12900/CECOMAF)**

Evap. temp in °C	-15	-10	-5	0	5	7.2	10	15
SC18GH, 50Hz	1.20	1.42	1.64	1.89	2.17	2.30	2.49	2.86
SC18GH, 60Hz	1.27	1.46	1.66	1.88	2.13	2.25	2.41	2.75

**COP (ASHRAE)**

Evap. temp in °C	-15	-10	-5	0	5	7.2	10	15
SC18GH, 50Hz	1.48	1.75	2.03	2.34	2.69	2.86	3.09	3.56
SC18GH, 60Hz	1.57	1.80	2.05	2.33	2.64	2.79	3.00	3.42

Test conditions	EN 12900/CECOMAF	ASHRAE
Condensing temperature	55°C	55°C
Ambient and suction gas temp.	32°C	32°C
Liquid temperature	55°C	32°C
50Hz: Fan cooling F <sub>2</sub> , 220V		
60Hz: Fan cooling F <sub>2</sub> , 220V		


**Accessories**

Devices	Fig.	SC18GH
Starting device	a3	117-7038 (470 mm cable length) 117-7039 (550 mm cable length)
Cover	b	103N2008
Starting relay	a2	Components of starting device
Starting capacitor 80 µF	c	
Run capacitor	e	
Cord relief	d	103N1004
Mounting accessories		
Bolt joint for one compressor		118-1917
Bolt joint in quantities		118-1918
Snap-on in quantities		118-1919



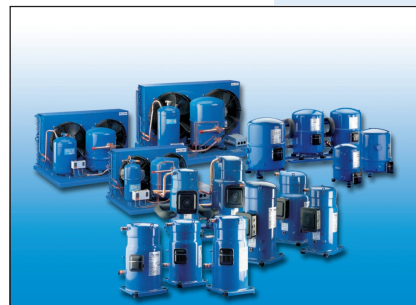




## The Danfoss product programme for the refrigeration industry contains:

### Compressors for Refrigeration and Air Conditioning

A wide range of hermetic reciprocating compressors and scroll compressors as well as aircooled condensing units. The product range is applied in air conditioning units, water chillers and commercial refrigeration systems.



### Compressors for Refrigerators and Freezers

Hermetic compressors and fan-cooled condensing units for household refrigeration units such as refrigerators and freezers, and for commercial installations such as sales counters and bottle coolers. Compressors for heating pump systems. 12 and 24 V compressors for refrigerators and freezers in commercial vehicles, buses, and boats.



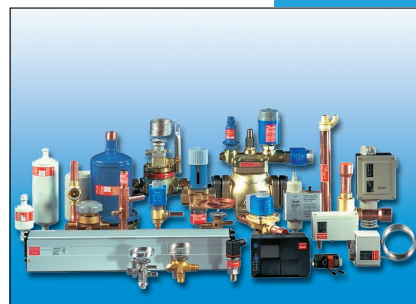
### Appliance Controls

For the regulation of refrigeration appliances and freezers Danfoss supply a CFC-free product range of electromechanical thermostats for refrigerators and electromechanical thermostats for refrigerators and freezers produced according to customer specification; Hermetic valves for refrigerator/freezer combinations and for energy saving applications; Service thermostats – for all refrigerating and freezing appliances.



### Refrigeration and Air Conditioning Controls

With our full product range we cover all the requirements for mechanical and electronically controlled refrigeration systems. The functions cover: control, safety, system protection and monitoring. Our products are applied for all commercial- and industrial refrigeration applications as well as for air conditioning.



[www.danfoss.com/compressors](http://www.danfoss.com/compressors)

Danfoss can accept no responsibility for possible errors in catalogues, brochures and other printed material. Danfoss reserves the right to alter its products without notice. This also applies to products already on order provided that such alterations can be made without subsequential changes being necessary in specifications already agreed. All trademarks in this material are property of the respective companies. Danfoss and the Danfoss logotype are trademarks of Danfoss A/S. All rights reserved.



### Danfoss Compressors GmbH

Mads-Clausen-Strasse 7  
Postfach 1443, D-24939 Flensburg  
Telefon: (0461) 4941-0  
International +49 461 4941-0  
Telefax: +49 461 44715  
Telex: 227 43 dancom d

# Artisan Technology Group is an independent supplier of quality pre-owned equipment

## Gold-standard solutions

Extend the life of your critical industrial, commercial, and military systems with our superior service and support.

## We buy equipment

Planning to upgrade your current equipment? Have surplus equipment taking up shelf space? We'll give it a new home.

## Learn more!

Visit us at [artisanng.com](http://artisanng.com) for more info on price quotes, drivers, technical specifications, manuals, and documentation.

Artisan Scientific Corporation dba Artisan Technology Group is not an affiliate, representative, or authorized distributor for any manufacturer listed herein.

We're here to make your life easier. How can we help you today?

(217) 352-9330 | [sales@artisanng.com](mailto:sales@artisanng.com) | [artisanng.com](http://artisanng.com)

