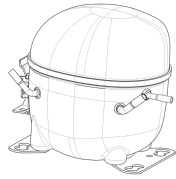


**220-240V 50 1~****GENERAL DATA**

**Application:** LBP  
**Refrigerant:** R404A  
**Evaporating Temperature Range:** -40°C to -10°C  
**Compressor Cooling:** Fan  
**Fan air flow:** 520 m<sup>3</sup>/h  
**Type:** Hermetic reciprocating  
**Technology Type:** On-Off  
**Expansion Device:** Capillary Tube or Expansion Valve  
**Packing Quantity:** Single - 1 pc  
**Displacement:** 12.11 cm<sup>3</sup>  
**Horse power:** 3.4 hp

Approvals:     

**MECHANICAL DATA**

**Bore:** 27.78 mm  
**Stroke:** 20 mm  
**Oil Charge:** 350ml +/-15ml  
**Free Internal Volume:** 2.1 cm<sup>3</sup>  
**Maximum Recommended Refrigerant Charge:** 350 g  
**Oil Type Configuration:** Polyolester  
**Oil Type Viscosity:** ISO22  
**Compressor pressurization:** Dry air charge  
**Weight:** 11.5 kg

**ELECTRICAL DATA**

**Motor Type:** CSIR  
**Starting Torque:** HST  
**Voltage working range at 50 Hz:** 198-254 V  
**Maximum Motor Temperature:** 130 °C  
**Start Winding Resistance:** 27.95 Ω (± 10%) at 25°C  
**Run Winding Resistance:** 5.11 Ω (± 10%) at 25°C  
**Locked Rotor Amperage (LRA):** 18 A

**MOUNTING ACCESSORIES**

	Description	Code
<b>Anchorage:</b>	no	-
<b>Capacitor Bracket:</b>	no	-
<b>Washer:</b>	no	-
<b>Pin:</b>	no	-
<b>Clip:</b>	no	-
<b>Rotolock valve:</b>	no	-
<b>Cover:</b>	yes	2075282
<b>Grommets:</b>	yes	2221011
<b>Sleeves:</b>	yes	2222018
<b>Terminal Board:</b>	yes	1027060
<b>Overload Protector Bracket:</b>	yes	2075299

**ELECTRICAL COMPONENTS**

	Component type	Description	Code
<b>Start Capacitor:</b>		64-77 MFD 330V	2252352
<b>Starting Device:</b>	Current relay	MTRP-49-65	2334118
<b>Motor Protection:</b>	External 3/4"	T0964/G6	2319135

**EXTERNAL CHARACTERISTICS**

**Base Plate:** European  
**Tray Holder:** No  
**Height:** 206 mm

	Internal Diameter (mm)	Material	Shape
<b>Suction Connector</b>	8.1	Copper	Slanted 42°
<b>Discharge Connector</b>	6.1	Copper	Straight



**RATED POINT DATA**

Cooling Capacity (W)	Power Consumption (W)	Current Consumption (A)	Gas Flow Rate (kg/h)	Efficiency (W/W)
±5%	±5%	±5%	±5%	±7%
659	498	3.05	15.25	1.32

Test condition: ASHRAE, Fan, Return Gas 32.2°C, Evaporating: -23.3°C, Condensing: 54°C, Ambient: 32.2°C, Liquid: 32.2°C

**PERFORMANCE CURVE DATA**

**220V 50Hz**

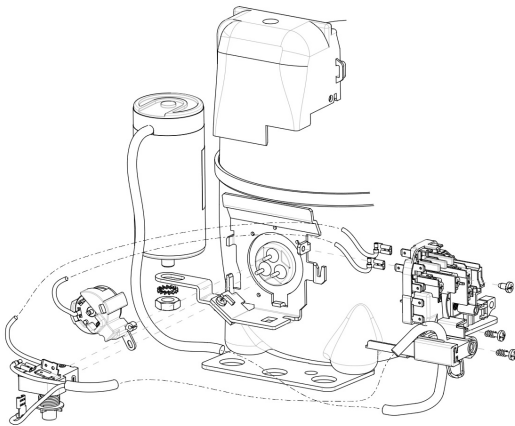
Condensing Temperature (°C)	Evaporating Temperature (°C)	Cooling Capacity (W)	Power Consumption (W)	Current Consumption (A)	Gas Flow Rate (kg/h)	Efficiency (W/W)
		±5%	±5%	±5%	±5%	±7%
<b>35°C</b>	-10	1 301	569	3.32	30.70	2.29
	-15	1 068	519	3.13	25.03	2.06
	-20	862	470	2.97	20.09	1.83
	-25	684	423	2.82	15.85	1.62
	-30	533	377	2.69	12.30	1.41
	-35	409	333	2.59	9.42	1.23
	-40	313	290	2.51	7.18	1.08

Condensing Temperature (°C)	Evaporating Temperature (°C)	Cooling Capacity (W)	Power Consumption (W)	Current Consumption (A)	Gas Flow Rate (kg/h)	Efficiency (W/W)
		±5%	±5%	±5%	±5%	±7%
<b>45°C</b>	-10	1 238	632	3.54	29.17	1.96
	-15	1 015	569	3.30	23.75	1.78
	-20	817	509	3.09	19.01	1.61
	-25	645	451	2.90	14.93	1.43
	-30	499	397	2.75	11.50	1.26
	-35	379	345	2.62	8.70	1.10

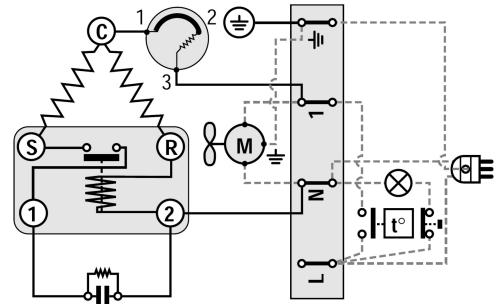
Condensing Temperature (°C)	Evaporating Temperature (°C)	Cooling Capacity (W)	Power Consumption (W)	Current Consumption (A)	Gas Flow Rate (kg/h)	Efficiency (W/W)
		±5%	±5%	±5%	±5%	±7%
<b>55°C</b>	-10	1 167	697	3.79	27.45	1.68
	-15	954	620	3.49	22.29	1.54
	-20	766	547	3.22	17.77	1.40
	-25	601	478	2.99	13.87	1.26
	-30	460	413	2.79	10.58	1.11

Test condition: ASHRAE, Fan, Return Gas 32.2°C, Ambient: 32.2°C, Liquid: 32.2°C

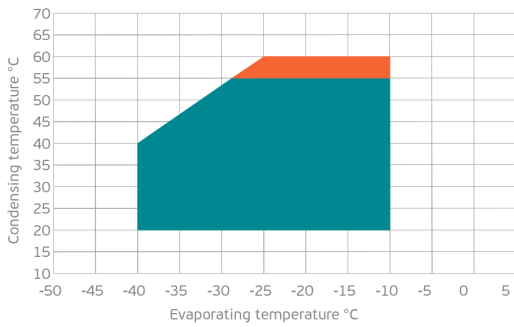
**ASSEMBLY INSTRUCTION**



**WIRING DIAGRAM**

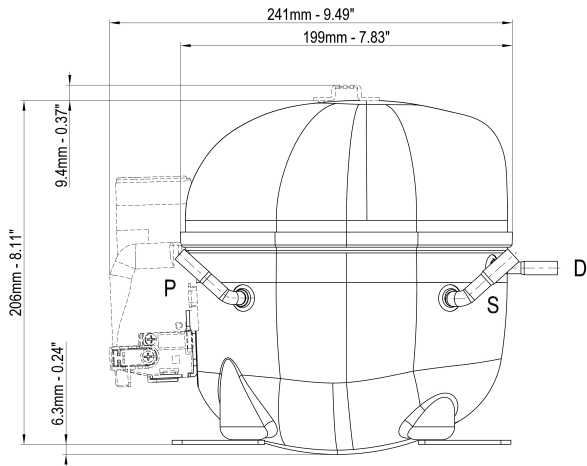


**OPERATING ENVELOPE**



- Operating Condition
- Transient Condition
- Superheating

**NOTE:** usage of compressors outside of intended working range cannot make use of the warranty, or should be consulted with Technical support.



	∅ mm	∅ in	Material
<b>S - Suction</b>	8.10 - 8.20	0.32	Cu
<b>P - Process</b>	6.10 - 6.20	0.24	Cu
<b>D - Discharge</b>	6.10 - 6.20	0.24	Cu

