



Inverter Compressor Technology for Refrigerator

Reciprocating



Why LG Inverter Compressor

Technology

LG compressors are continuously evolving group of high-precision machining and assembly technologies from accumulated techniques for generating sustainable world best compressor. Especially we are enabling to give our customers technical support in order to provide best performance compressor through design mechanism and produce key technology of compressor, inverter motor and drive that makes you to achieve optimized product.

Quality

With the product quality and safety evaluation system that performs basic quality and safety evaluation for products at every production stage. Under the quality gate system, all our products undergo a safety check at each quality gate based on a checklist, preventing shipments of products with quality or safety issues. We also have achieved recognition our quality and sustainability from Europe, North America, China and Japan.

Customer Support

LG compressors promise to deliver a satisfaction level for all your business stage from research, development to the spec-in that exceeds our customers expectations, and strives to provide the highest value to our customers through a fast, accurate and differentiated service & solution as your business partner.

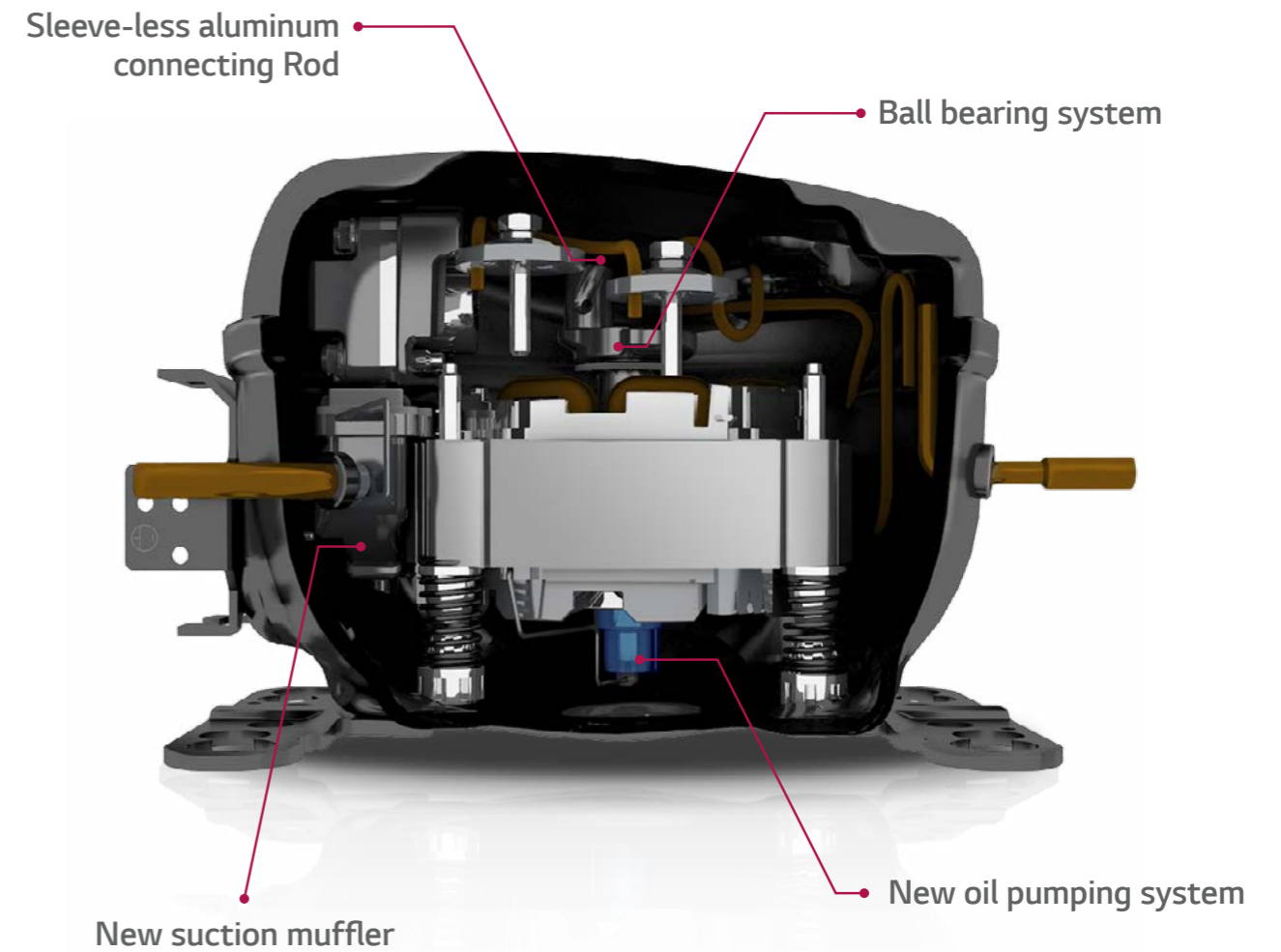




Reciprocating Inverter

Feature

BMG Series



High efficiency

- New connecting-rod design
- Ball bearing
- High efficiency BLDC motor

Lowest operating sound

- New muffler design
- Low pulsation and vibration

Wide operating range

- New oil pumping system
- 1,200~4,500rpm

Compact size

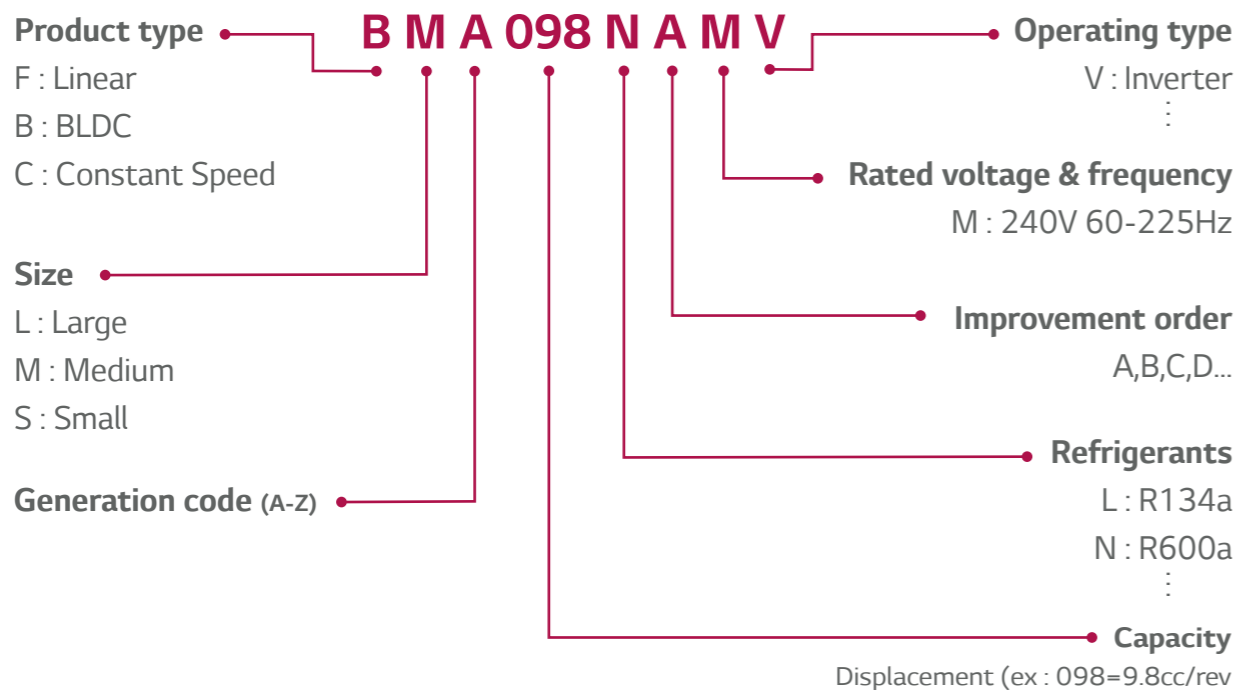
- Height 139mm

Product Range

Test condition : Te/Tc = -23.3/54.4°C, RT32°C

Capacity [w]		0	100	200	300	400
R134a	BMA		●●●●●●			
	Displacement [cc/rev]		5.0	6.9	8.2	
R600a	BMA		●●●●●●			
	Displacement [cc/rev]		9.8	12.1	14.0	
	BMG		●●●●●●			
	Displacement [cc/rev]		6.9	8.9	11.0	

Nomenclature



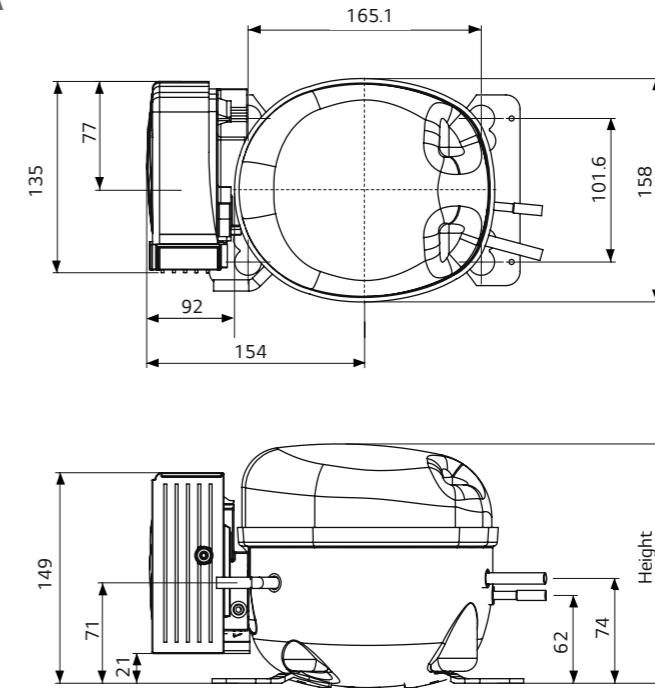
Specification

Refrigerant	Series	Model	Speed range	Speed	Operating condition								Dimension
					Te/Tc = -23.3/54.4°C, RT32°C				Te/Tc = -23.3/40.6°C, RT32.2°C				
					Capacity		EER	COP	Capacity		EER	COP	
[rpm]	[rpm]	[Btu/hr]	[Watts]	[Btu/W/hr]	[W/W]	[Btu/hr]	[Watts]	[Btu/W/hr]	[W/W]	Height			
R134a	BMA	BMA050LAMV	1,200-4,500	4,500	760	223	-	-	826	242	-	-	172
				3,000	507	148	5.99	1.76	551	161	7.50	2.20	
				1,800	323	95	6.33	1.86	351	103	7.93	2.32	
				1,500	264	77	6.34	1.86	287	84	7.94	2.33	
	BMA	BMA069LAMV	1,200-4,500	4,500	1,049	307	-	-	1,140	334	-	-	172
				3,000	699	205	5.99	1.76	760	223	7.50	2.20	
				1,800	446	131	6.33	1.86	485	142	7.93	2.32	
				1,500	364	107	6.34	1.86	396	116	7.94	2.33	
	BMA	BMA069LHMV	1,200-4,500	4,500	1,049	307	-	-	1,140	334	-	-	172
				3,000	699	205	5.66	1.66	760	223	7.17	2.10	
				1,800	446	131	6.00	1.76	485	142	7.60	2.23	
				1,500	364	107	6.05	1.77	396	116	7.65	2.24	
	BMA	BMA082LAMV	1,200-4,500	4,500	1,250	366	-	-	1,359	398	-	-	180
				3,000	833	244	5.99	1.76	906	265	7.50	2.20	
				1,800	540	158	6.33	1.86	587	172	7.93	2.32	
				1,500	452	132	6.40	1.88	492	144	8.00	2.34	
BMA	BMA082LBMV	1,200-4,500	4,500	1,250	366	-	-	1,359	398	-	-	180	
			3,000	833	244	6.04	1.77	906	265	7.55	2.21		
			1,800	540	158	6.38	1.87	587	172	7.98	2.34		
			1,500	452	132	6.50	1.90	492	144	8.10	2.37		

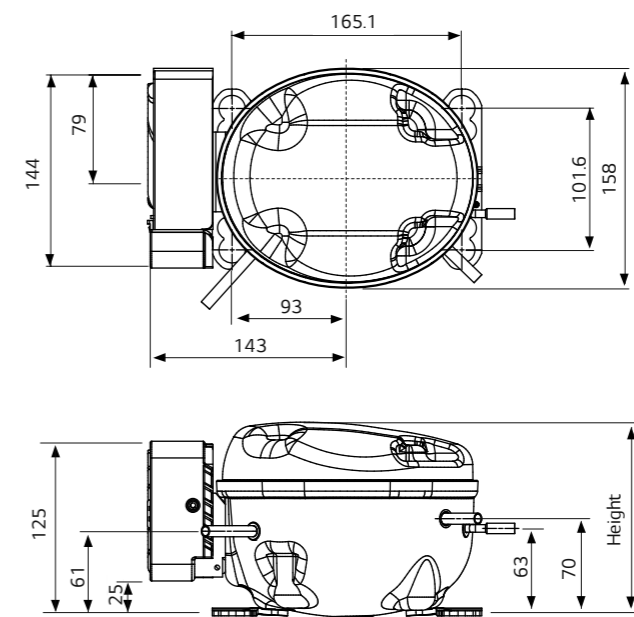
Refrigerant	Series	Model	Speed range	Speed	Operating condition								Dimension
					Te/Tc = -23.3/54.4°C, RT32°C				Te/Tc = -29/31°C, RT25°C				
					Capacity		EER	COP	Capacity		EER	COP	
[rpm]	[rpm]	[Btu/hr]	[Watts]	[Btu/W/hr]	[W/W]	[Btu/hr]	[Watts]	[Btu/W/hr]	[W/W]	Height			
R600a	BMA	BMA098NAMV	1,200-4,500	4,500	915	268	-	-	801	234	-	-	172
				3,000	627	184	6.76	1.98	548	161	7.77	2.28	
				1,800	376	110	7.10	2.08	329	96	8.17	2.39	
				1,500	318	93	6.80	1.99	278	81	7.82	2.29	
	BMA	BMA098NHMV	1,200-4,500	4,500	915	268	-	-	801	234	-	-	172
				3,000	627	184	6.46	1.89	548	161	7.43	2.18	
				1,800	376	110	6.80	1.99	329	96	7.82	2.29	
				1,500	318	93	6.50	1.90	278	81	7.48	2.19	
	BMA	BMA121NAMV	1,200-4,500	4,500	1,115	327	-	-	976	286	-	-	172
				3,000	810	237	6.66	1.95	709	208	7.66	2.24	
				1,800	486	142	7.00	2.05	425	125	8.05	2.36	
				1,500	392	115	6.90	2.02	343	100	7.94	2.32	
	BMG	BMG069NAMV	1,200-4,500	4,500	566	166	-	-	497	146	-	-	139
				3,000	443	130	7.02	2.06	388	114	8.12	2.38	
				1,800	265	78	7.35	2.15	233	68	8.50	2.49	
				1,500	221	65	7.29	2.14	194	57	8.42	2.47	
BMG		BMG069NHMV	1,200-4,500	4,500	566	166	-	-	497	146	-	-	139
				3,000	443	130	6.33	1.86	388	114	7.32	2.15	
				1,800	265	78	6.62	1.94	233	68	7.66	2.24	
				1,500	221	65	6.56	1.92	194	57	7.57	2.22	
BMG		BMG089NAMV	1,200-4,500	4,500	731	214	-	-	642	188	-	-	139
				3,000	570	167	7.10	2.08	502	147	8.31	2.44	
				1,800	341	100	7.43	2.18	300	88	8.70	2.55	
				1,500	287	84	7.37	2.16	249	73	8.63	2.53	
BMG	BMG089NHMV	1,200-4,500	4,500	731	214	-	-	641	188	-	-	139	
			3,000	571	167	6.39	1.87	501	147	7.48	2.19		
			1,800	343	100	6.71	1.96	300	88	7.80	2.30		
			1,500	285	84	6.63	1.94	250	73	7.76	2.27		
BMG	BMG110NAMV	1,200-4,500	4,500	884	259	-	-	775	227	-	-	139	
			3,000	681	200	7.02	2.06	597	175	8.16	2.39		
			1,800	420	123	7.27	2.13	369	108	8.45	2.48		
			1,500	350	103	7.35	2.15	307	90	8.55	2.51		
BMG	BMG110NHMV	1,200-4,500	4,500	884	259	-	-	775	227	-	-	139	
			3,000	681	200	6.32	1.85	597	175	7.35	2.15		
			1,800	420	123	6.54	1.92	369	108	7.60	2.23		
			1,500	350	103	6.62	1.94	307	90	7.70	2.26		

Dimension

BMA



BMG



Unit : mm

Specification

Drive

Contents	Detail
Rated input power	220~240 Vac
Maximum input current	3.0A
Maximum input power	260W
Operating compressor Hz	20~75Hz
Compressor connection color	Black(U)/Blue(V)/Yellow(W)
Ambient operating temperature	-5~43°C
Storage temperature	-25~85°C
Max. storage relative humidity	85%

Noise Filter

Contents	Detail
Inductance	4A, 26mH

Reactor

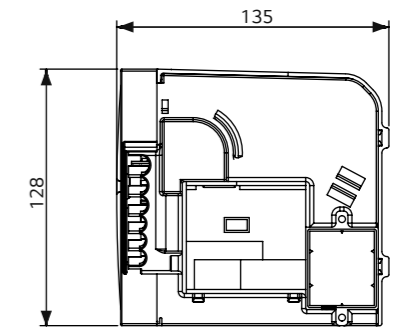
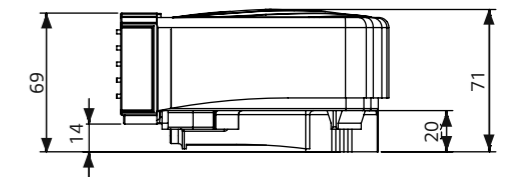
Contents	Detail
Inductance	0.8mH
Wire diameter	0.8mm
Maximum input current	5A

OLP

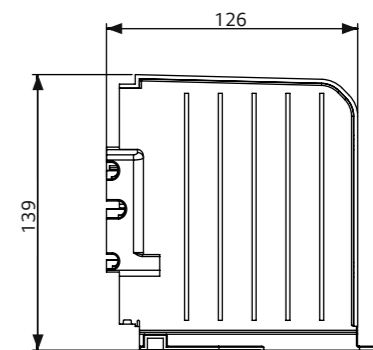
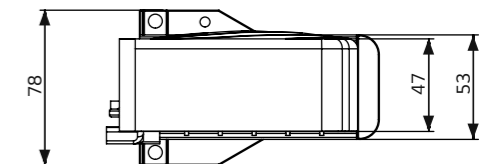
Contents	Detail
Type	External type (3/4")

Dimension

Attached Drive

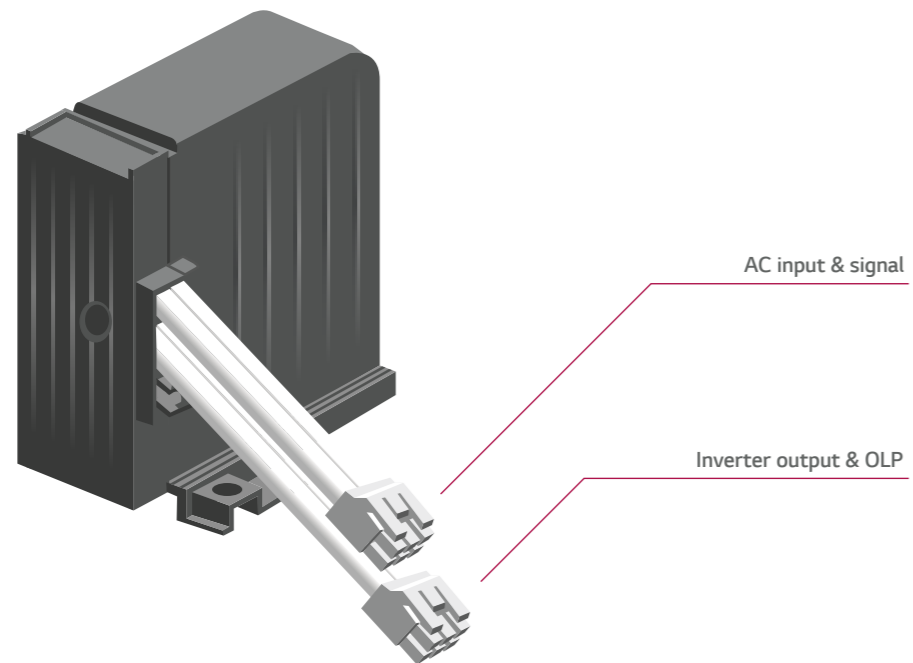
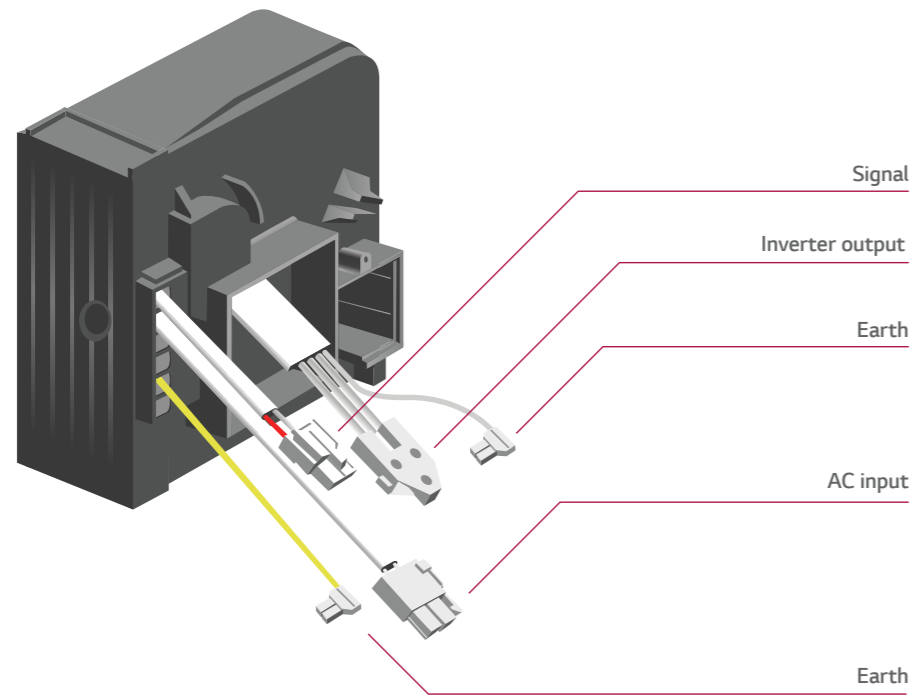


Separated Drive

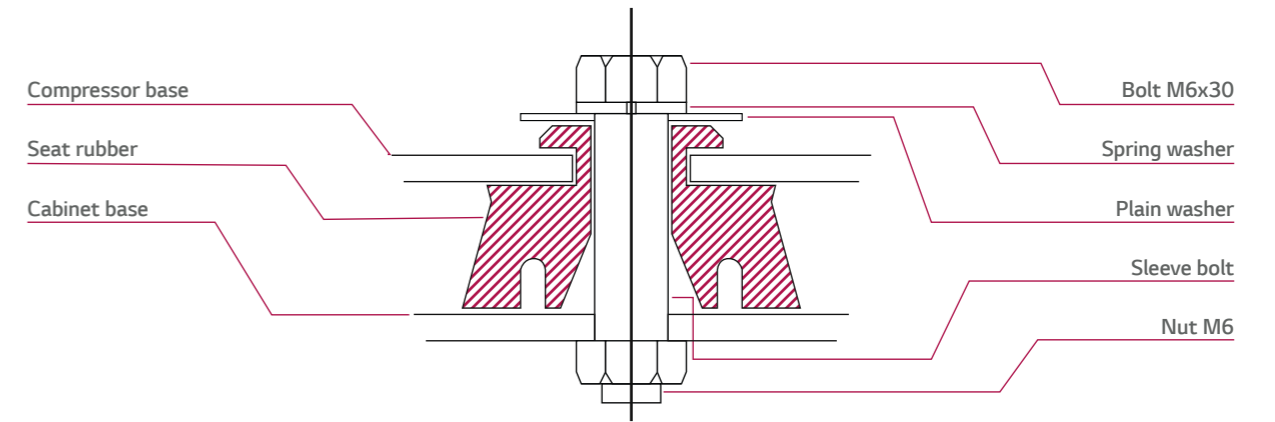


Unit : mm

Drive Cable Connection



Mounting



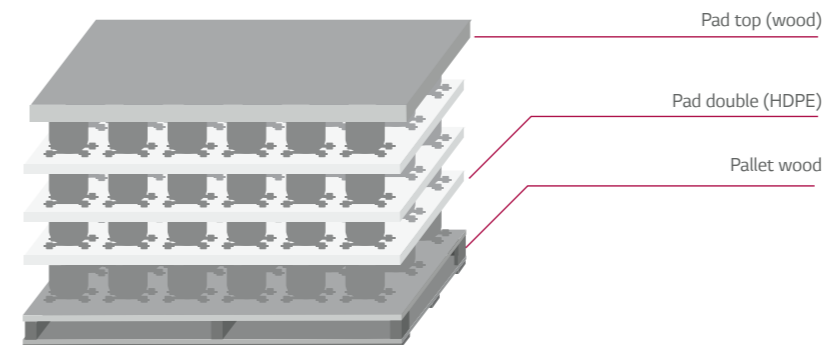
Packing & Container Stuffing Quantity

Unit : mm

Model	Carton					Container (20ft) Below 15.3 Ton	Container (20ft) Below 17.5 Ton
	Quantity	Array	Dimension (mm)			Quantity	Quantity
	(EA)	(WxDxH)	W	D	H	(EA)	(EA)
BMG**NH	90	3x6x5	1,100	800	916	1,890	2,160
BMG**NA	90	3x6x5	1,100	800	916	1,890	1,980
BMA	72	3x6x4	1,100	800	916	1,368	1,584

Note : Packing conditions are subjects to change without notice for customer's convenience.

Carton dimension & packing method





Global Network

Changwon Plant, Korea

Address 76 Seongsan-dong, Changwon City
Gyeongnam, 641-713, South Korea
Phone +82-55-269-3868
Fax +82-55-268-4896
E mail lgcompressor@lge.com

Taizhou Plant, China

Address Taizhou LG Electronics Refrigeration
Co.,LTD. 2, Xianglin Road, Hailing Zone
Taizhou, Jiangsu, P.R.C. China
Phone +86-523-8018-9484

Noida Plant, India

Address LG Electronics India P Ltd,
Compressor-Plot No 51, Udyog
Vihar, Surajpur- Kasna Road,
Greater Noida, Uttar Pradesh, India
Phone +91-120-256-0900
