

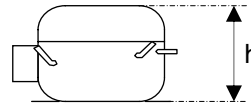
OPERATION:

Application:	L.B.P.	Max. Ambient Temp:	43°C
Refrigerant:	R600a	(1) Max. Steady Discharge Temp:	120°C
Operation:	Capillary	(1,2) Max. Peak Discharge Temp:	135°C
Cooling:	Static	Max. Steady Condensing Temp:	60°C
		(2) Max. Peak Condensing Temp:	70°C
		Max. Winding Temp:	130°C
		Max. Impurities:	30 mg
		Max.Total Compressor Water Content:	100 mg

COMPRESSOR:

Displacement:	11.2 cc	Oil Type:	Mineral
Bore:	25.40 mm	(4) Viscosity:	7 cSt
Stroke:	22.02 mm	Suction Muffler:	Semi-direct

(3) Net Wt:	8.6 kg
Case Size:	h = 167,0 mm
Oil Charge:	170 cc



ELECTRICAL:

Power Supply:	220 - 240V	Motor Type:	RSIR / RSCR *
Voltage Limits:	187 - 264V	Locked Rotor Current:	11.9 / 5.5 A**
Frequency:	50 Hz		
Phase:	1 ph		

Main Winding Resistance at 25°C:	16.3 Ω
Start Winding Resistance at 25°C:	16.1 Ω

* With Optional Run Capacitor

** Maximum current / Measured after 4 seconds

- (1) Measured 5cm. from the shell with insulated thermocouples
- (2) For transient conditions during 'Pull Down'
- (3) Net weight is with oil but without electrics
- (4) Measured at 40°C

For rated performance,

the suction line must be connected to the stub marked 'AS' on the attached drawing.



ELECTRICAL COMPONENTS:

Starting Device:	K 100-xx	
(1) Starting Device:	PTC- 7100DT / 8100	-xx Protector short code
PTC Resistance:	14 Ω	
Run Capacitor:	4.0 μ F (5.0 μ F as alternative)	

PROTECTORS:

PROTECTORS	BDG ^¾	SENSATA 4TM
Type	AE 72 FU x	4TM 265 NFBYY xx
Open °C	115 - 125 °C	115 - 125 °C
Close °C	71 - 53 °C	70 - 52 °C
U.T.C	2.1 A 70 °C	1.90 A 70 °C
Time Check Current	8.6 A	9.2 A (5-15s)
Max. Current	17.0 A	17.2 A (2s max.)
Code (if any)	FP	6F
Alt. protectors:	AF 72 FU x DT	

PTC-71.. / 81.. are for Terminal Cover version only.

(1) BDG protector AF type is for use with PTC-71.. only, and PTC-71.. is only fitted with BDG protector.



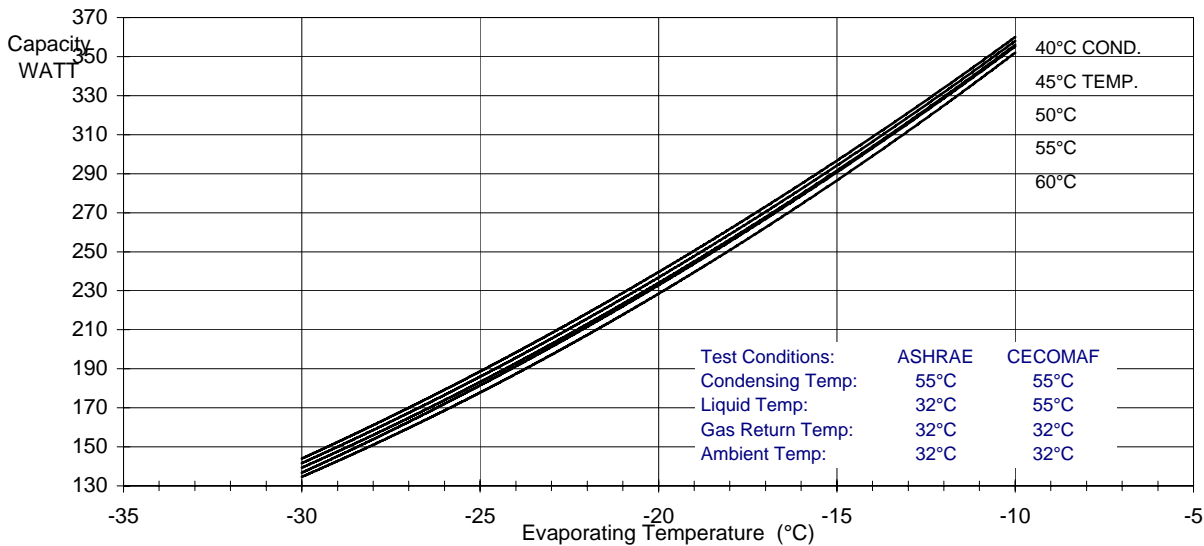
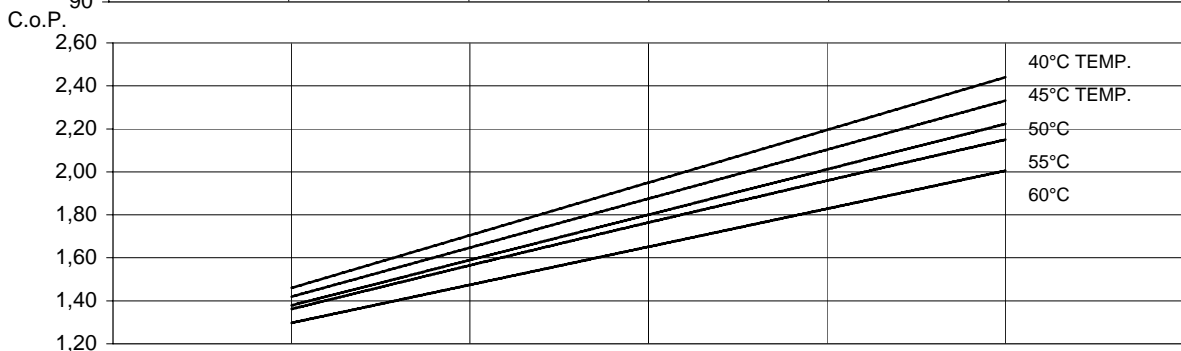
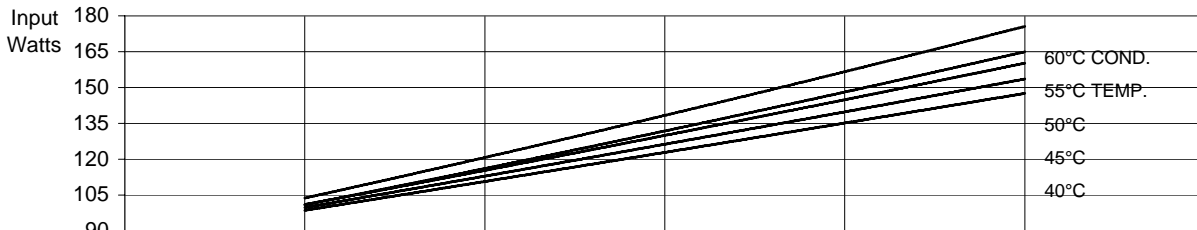
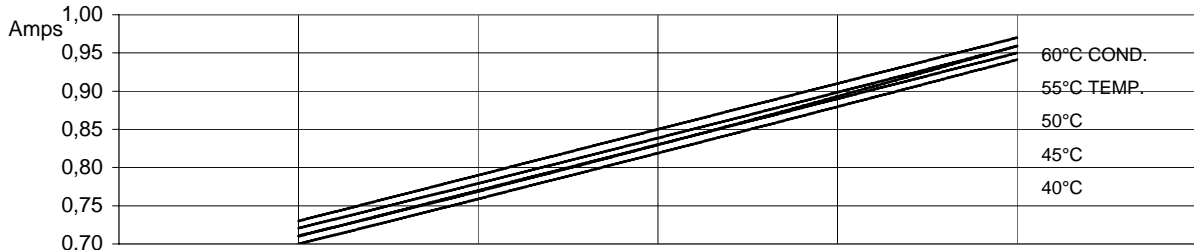
HTK12AA.02

PRODUCT SPECIFICATION

PERFORMANCE:

(Graphs are at ASHRAE conditions)

220V 50Hz Without run capacitor



	Evaporating Temperature °C	-30	-25	-23,3	-20	-15	-10
ASHRAE:	Capacity W	137	181	198	233	291	355
	C.o.P. W / W	1,36	1,57	1,64	1,76	1,96	2,15
CECOMAF:	Capacity W	113	149		191	239	291
	C.o.P. W / W	1,12	1,28		1,45	1,61	1,76
	Input Power W	101	116	121	132	148	165
	Current A	0,71	0,77	0,79	0,83	0,89	0,95



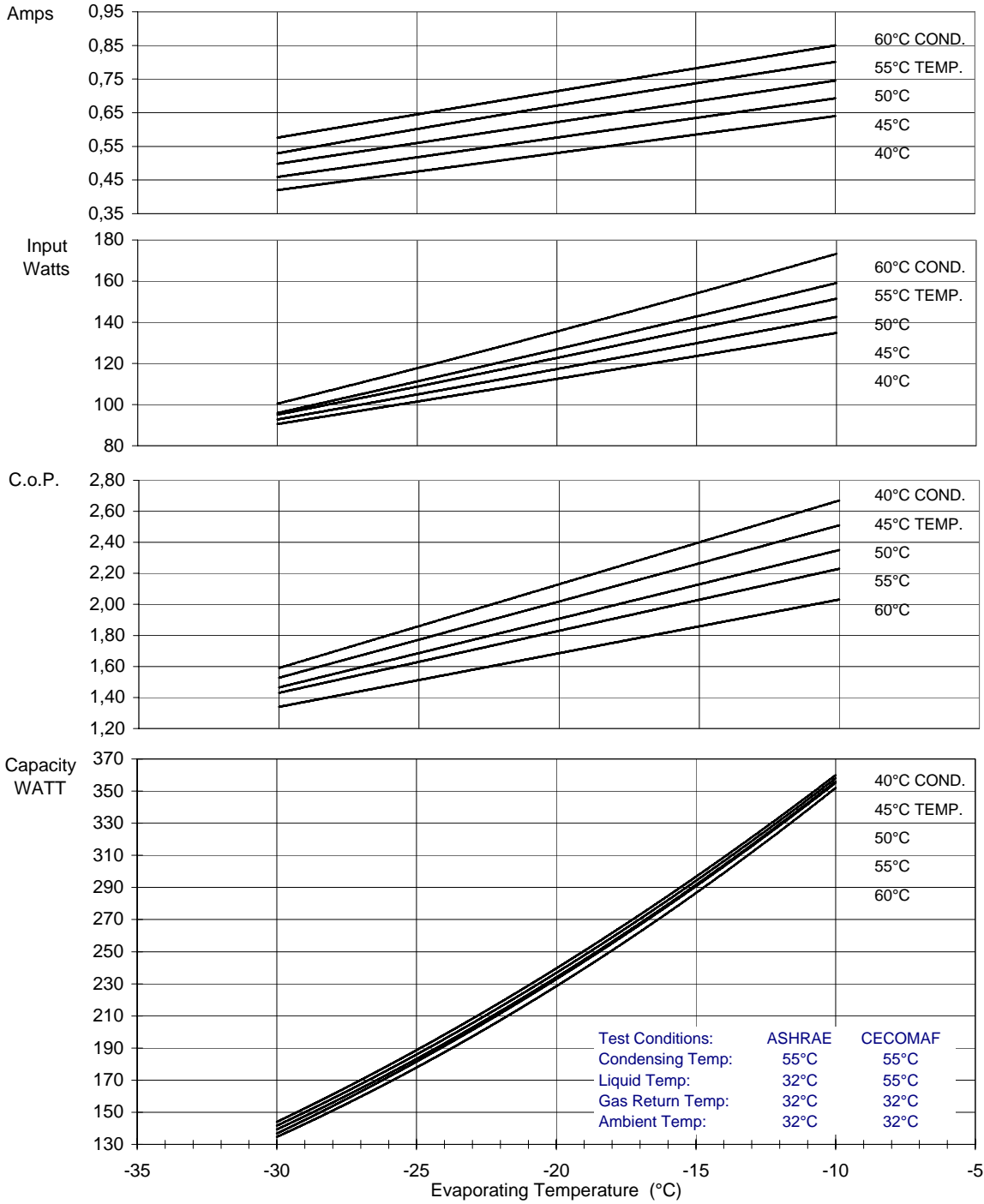
HTK12AA.02

PRODUCT SPECIFICATION

PERFORMANCE:

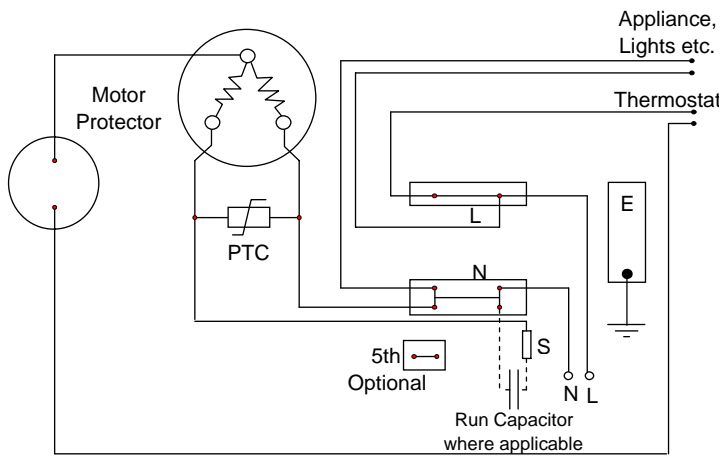
(Graphs are at ASHRAE conditions)

220V 50Hz With run capacitor

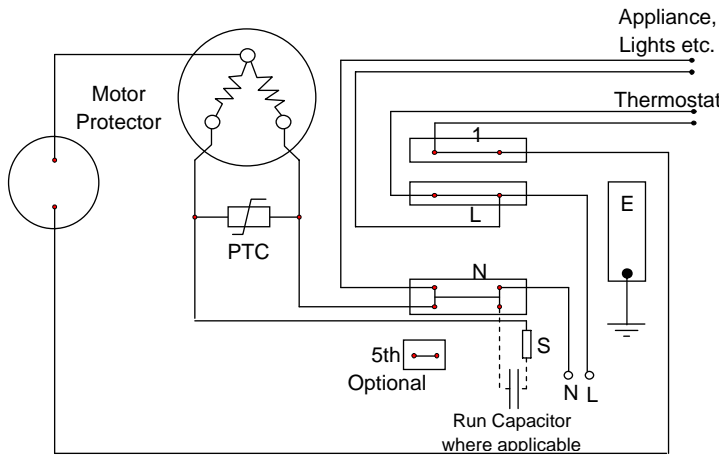


	Evaporating Temperature °C	-30	-25	-23,3	-20	-15	-10
<u>ASHRAE:</u>	Capacity W	137	181	198	233	291	355
	C.o.P. W / W	1,43	1,63	1,70	1,83	2,03	2,23
<u>CECOMAF:</u>	Capacity W	113	149		191	239	291
	C.o.P. W / W	1,18	1,34		1,50	1,67	1,83
	Input Power W	96	111	116	127	143	159
	Current A	0,53	0,60	0,62	0,67	0,74	0,80

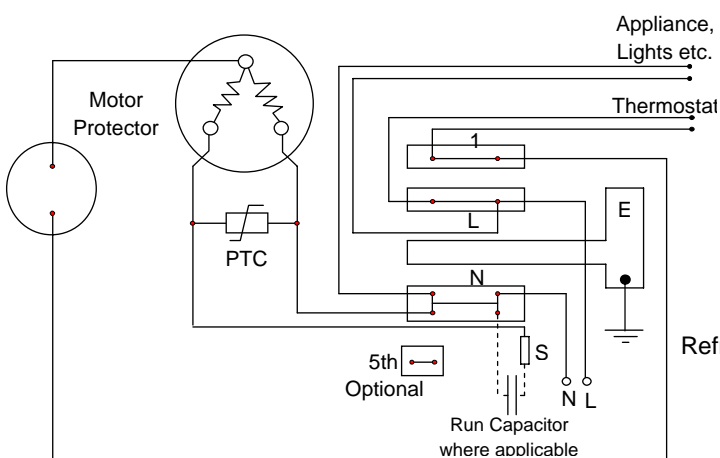
Circuit Diagram for Terminal Board Standard Version



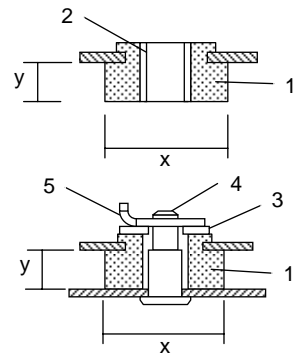
Circuit Diagram for Terminal Board Frontal Version



Circuit Diagram for Terminal Board Rast 5 Version



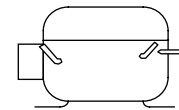
Mounting Accessories



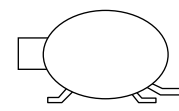
x = 26mm or 28.5mm
y = 9mm or 10.3mm
Other sizes available

1. Rubber grommet
2. Sleeve
3. Washer
4. Steel pin
5. Clip

Recommended Transport Positions when fitted into appliances



Upright



Tubes Down

Compressor Label

