

# SC18G

## Universal Compressor

### R134a

### 220-240V 50Hz

Data Sheet (Replaces CD.44.V2.02)

#### General

Compressor	<b>SC18G</b>
Code number	104G8820
Code number	104G8822
Code number compressor with oil cooler	104G8830

#### Application

Application	LBP/HBP	
Evaporating temperature range	°C	-35 to 15
Voltage range	V/Hz	LBP: 187 - 254 /50
		LBP: 198 - 254 /60
		HBP: 198 - 254 /50
Motor type	CSIR	
Max. ambient temperature	°C	43
Comp. cooling at ambient temp.	32°C	LBP: O/F <sub>1</sub>
		HBP: F <sub>2</sub>
	38°C	LBP: O/F <sub>1</sub>
		HBP: F <sub>2</sub>
	43°C	LBP: O/F <sub>1</sub>
		HBP: F <sub>2</sub>

#### Design

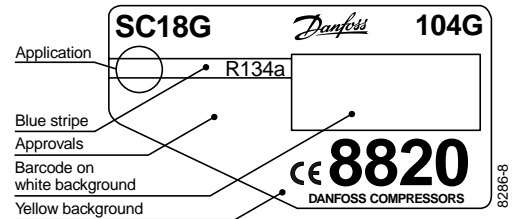
Displacement	cm <sup>3</sup>	17.69
Oil quantity	cm <sup>3</sup>	600 (550 on comp. with oil cooler)
Maximum refrigerant charge	g	1300
Free gas vol. in compressor	cm <sup>3</sup>	1460
Weight without electrical equipment	kg	13.7

#### Motor

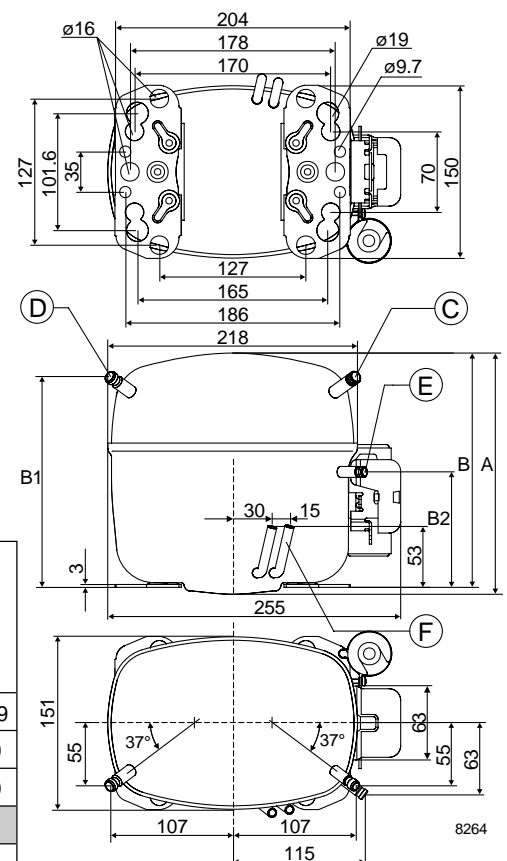
Motor size	watt	495
LRA (rated after 4 sec. UL984) HST	A	18.6
Cut-in current HST	A	18.6
Resistance, main and start winding (25°C)	Ω	3.7/14.1
Approvals	EN 60335-2-34, CCIB	

#### Dimensions

		104G8830	104G8820	104G8822
Height	mm	A	219	
		B	213	
		B1	193	
		B2	110	
Suction connector	location/I.D. mm	C	10.2 ±0.09	10.2 ±0.09
Process connector	location/I.D. mm	D	6.2 ±0.09	6.5 ±0.09
Discharge connector	location/I.D. mm	E	6.2 ±0.09	6.5 ±0.09
Oil cooler	location/I.D. mm	F	6.2 ±0.09	
Compressors on a pallet	pcs.	80		



- S = Static cooling normally sufficient
- O = Oil cooling
- F<sub>1</sub> = Fan cooling 1.5 m/s  
(compressor compartment temperature equal to ambient temperature)
- F<sub>2</sub> = Fan cooling 3.0 m/s necessary



### Capacity (EN 12900/CECOMAF)

watt

Comp. \ °C	-25	-23.3	-20	-15	-10	-5	0	5	7.2	10	15
SC18G	283	318	394	526	684	870	1087	1337	1459	1624	1950

### Capacity (ASHRAE)

watt

Comp. \ °C	-25	-23.3	-20	-15	-10	-5	0	5	7.2	10	15
SC18G	348	392	485	649	844	1074	1343	1655	1807	2014	2423

### Power consumption

watt

Comp. \ °C	-25	-23.3	-20	-15	-10	-5	0	5	7.2	10	15
SC18G	331	351	389	448	507	568	630	695	725	763	835

### Current consumption

A

Comp. \ °C	-25	-23.3	-20	-15	-10	-5	0	5	7.2	10	15
SC18G	2.56	2.62	2.72	2.88	3.05	3.24	3.46	3.71	3.84	4.00	4.34

### COP (EN 12900/CECOMAF)

W/W

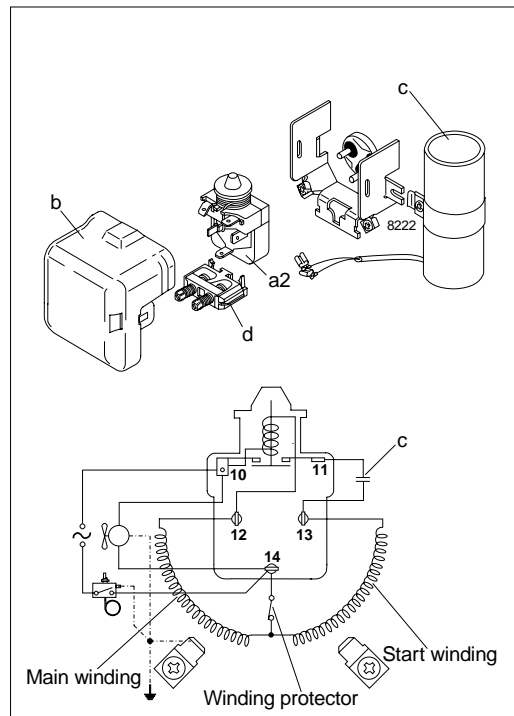
Comp. \ °C	-25	-23.3	-20	-15	-10	-5	0	5	7.2	10	15
SC18G	0.86	0.91	1.01	1.18	1.35	1.53	1.72	1.92	2.01	2.13	2.34

### COP (ASHRAE)

W/W

Comp. \ °C	-25	-23.3	-20	-15	-10	-5	0	5	7.2	10	15
SC18G	1.05	1.12	1.25	1.45	1.67	1.89	2.13	2.38	2.49	2.64	2.90

Test conditions	EN 12900/CECOMAF	ASHRAE
Condensing temperature	55°C	55°C
Ambient and suction gas temp.	32°C	32°C
Liquid temperature	55°C	32°C
Fan cooling, 220V 50Hz		



### Accessories

Devices	Fig.	SC18G
Starting relay	a2	117U6019
Cover	b	103N2009
Starting capacitor 80 µF	c	117U5017
Cord relief	d	103N1004
Mounting accessories		
Bolt joint for one compressor		118-1917
Bolt joint in quantities		118-1918
Snap-on in quantities		118-1919

Danfoss can accept no responsibility for possible errors in catalogues, brochures and other printed material. Danfoss reserves the right to alter its products without notice. This also applies to products already on order provided that such alterations can be made without subsequential changes being necessary in specifications already agreed. All trademarks in this material are property of the respective companies. Danfoss and the Danfoss logotype are trademarks of Danfoss A/S. All rights reserved.