



Headquarter: Sino-resource Imp.& Exp. Co., Ltd  
F19, Wenhua Mansion No. 488 Zhenming Rd, Ningbo, China  
Tel: 0086-574-87194705(36LINE), 87194796, 87194725  
Fax: 0086-574-87307052, 87317736  
E-mail: favrcool@sino-resource.com  
Web: www.favorcool.com

Inspiration for better life ...

1995

2015

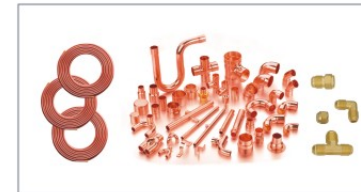


# Contents



Refrigerant Gas  
Welding Gas  
Electronic Grade Gas  
Refrigeration Oil

04~07



Copper Fitting  
Copper Tube  
Brass Fitting  
Copper Drier

08~11



Compressors

12~17



Motor & Fan  
Valve & Pressure Controller  
Capacitor & Contactor  
Defrost Timer, Relay, Overload Protector, Timer Delay  
GlassTube Heater, Thermostat, Heating Cable

18~35



Tubing Tools  
Welding Gas, Welding Torch, Welding Rod  
Other Service Tools

36~49



Vacuum Pumps, Condensate Water Pump, A/C Bracket, Pipeline Conduit  
Universal A/C Control System, Remote Controller, Service Tape, Cleaner  
Air Curtain & PVC Strip Door

50~59



Filter Drier, Oil Separator, Liquid Receiver, Accumulator, Muffler  
Condenser, Evaporator & Other Heat Exchanger  
Condensing Unit  
Ice Machine & Chiller  
Cold Room Panel, Door, Latch & Hinge

60~108



Flexible Duct  
Air Diffuser & Grille  
Pipe Clamp

109~113

# R-1234yf

## Revolutionary Replacement for R134a

### Physical And Chemical Properties

**Physical state:** Liquefied gas

**Color:** clear

**Odor:** slight

**Boiling point/boiling range:** -29.4°C

**Lower flammability limit(V):** 6 %

**Upper flammability limit(V):** 12.3 %

**Vapor pressure:** 6,067 hPa at 21.1°C (70.0°F)

14,203 hPa at 54.4°C (129.9°F)

**Vapor density:** 4 (Air=1.0)

**Density:** 1.1 g/cm<sup>3</sup> at 25°C

**Water solubility:** 198.2 mg/l at 24°C

**Ignition temperature:** 405°C

**Molecular weight:** 114 g/mol

### Quality index

**Purity(%):** ≥99.5

**Water(ppm by weight):** ≤10

**Acidity(ppm by weight as HCl):** ≤1.0

**High boiling residue(% by volume):** ≤0.01





# Refrigerants

HCFCs	Packing
R22	13.6kg, 22.7kg, 12.36kg(refillable), 14.7kg(refillable), 60kg(refillable), 940kg(refillable), ISO tank
R123	100kg, 250kg
R141b	13.6kg, 20kg, 30kg, 250kg
R142b	59kg(refillable), ISO tank
R401A(MP39)	13.6kg, 12.36kg(refillable)
R401B(MP66)	13.6kg, 12.36kg(refillable)
R402A(HP80)	12.25kg, 10.8kg(refillable)
R402B(HP81)	11.3kg, 11.4kg(refillable)
R406a	13.6kg
R408A(FX10)	10.9kg, 10.4kg(refillable), 12.7kg(refillable)
R409A(FX56)	13.6kg, 12.6kg(refillable), 15.1kg(refillable)

HFCs	Packing
R23	9kg, 30kg
R125	17.6kg, 870kg(refillable)
R134a	340g, 900g, 800g, 13.6kg, 12.48kg(refillable), 14.8kg(refillable), 950kg(refillable), ISO tank
R404a(HP62)	800g, 10.9kg, 9.84kg(refillable), 11.7kg(refillable), 40kg(refillable), 750kg(refillable)
R407C(SUVA9000)	900g, 11.3kg, 11.4kg(refillable), 13.5kg(refillable), 45kg(refillable), 870kg(refillable)
R410A(AZ20)	800g, 11.3kg, 10.0kg(refillable), 12.2kg(refillable), 800kg(refillable)
R417A(M059)	11.3kg
R422D	12.3kg
R426A(RS-24)	13.6kg
R438A(M099)	11.3kg
R507(AZ50)	800g, 11.3kg, 9.8kg(refillable), 12.1kg(refillable), 40kg(refillable), 760kg(refillable)

HCS	Packing
R600	420g, 6.5kg
R600a	420g, 6.5kg
R290	5kg
R1270	5kg

HFO	Packing
R1234yf	900g, 5kg, 13kg
R1234ze	900g, 5kg, 13kg

Welding gas	Packing
Mapp	1L (453.6g)
Propane	1L (400g)
Propylene	1L (400g)
Oxygen	1L(disposable), 1L(refillable), 2L(refillable)

Electronic grade gas	Quality Standard
CF4 (R14)	Purity,%≥99.999; Nitrogen ppm(v/v)≤3.0; Oxygen ppm(v/v)≤1.0; Moisture ppm(v/v)≤2.0; Carbon monoxide ppm(v/v)≤0.1; Carbon dioxide ppm(v/v)≤2.0; SF <sub>6</sub> ppm(v/v)≤1.0; Halogen carbon compounds ppm(v/v)≤1.0; Acidity(as HF) ppm(v/v)≤1.0;
SF6	Purity,%≥99.99; Air,%≤0.05; C <sub>2</sub> F <sub>4</sub> ,%≤0.002; Hydralsable fluorides,(ug/g)≤0.2; Moisture,≤0.6; Oil Content,(ug/g)≤0.5; Package:Steel cylinder 110LB/50KG



Disposable can

13L disposable cylinder

12L, 14.3L, 50L EN refillable cylinder  
60L refillable cyinder





# Refrigeration Oil

## Synthetical Oil POE Series

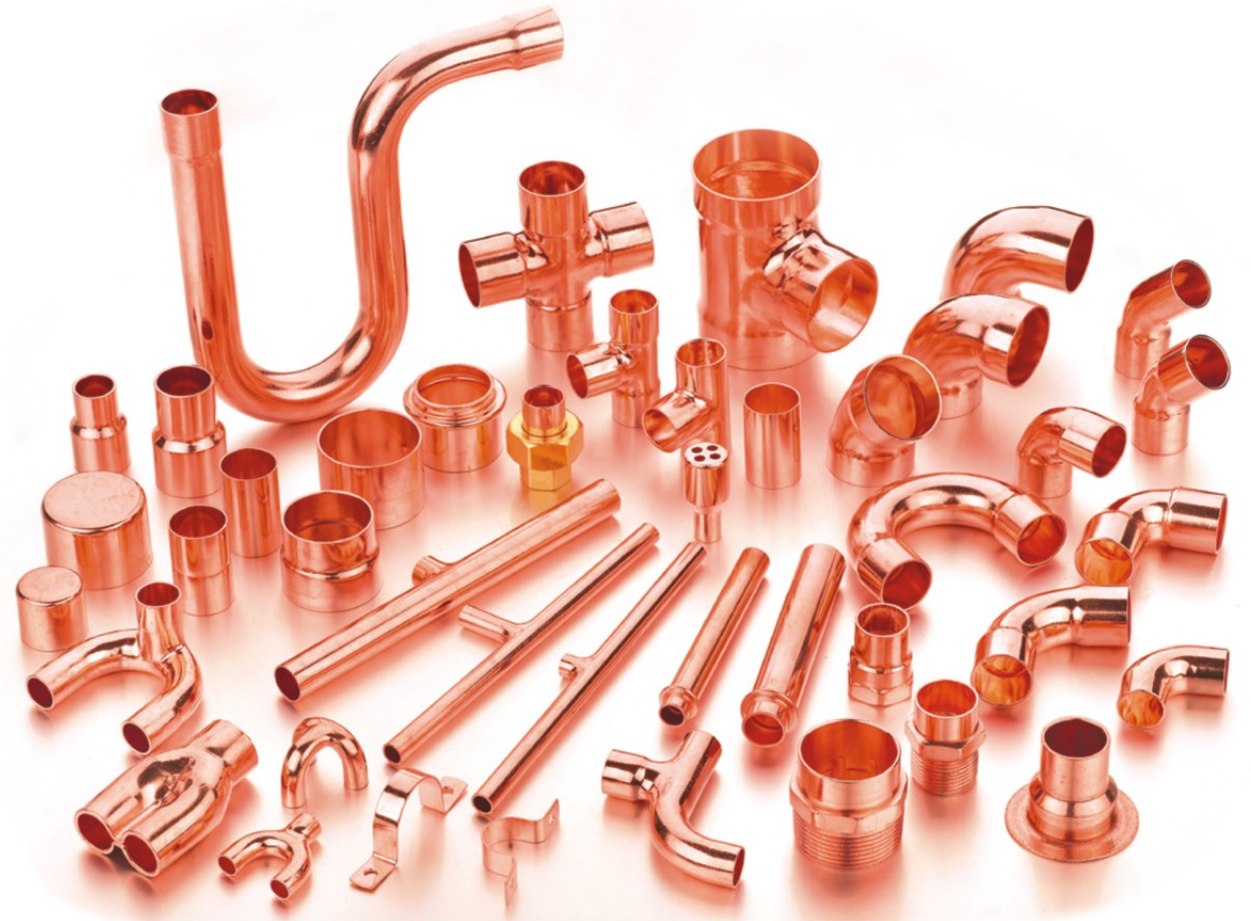
Item	Test Way	S-22	S-32	S-68	S-100	S-170	S-220	S-320
Density 15°C g/cm <sup>3</sup>	ASTM D 1298	0.98	0.975	0.97	0.968	0.97	0.97	1.04
Color Hazen	ASTM D 1209	0.5	0.5	0.5	0.5	0.5	0.5	0.5
Viscosity 40°C mm <sup>2</sup> /s	ASTM D 445	21	33	67.8	99.2	164	213	320
Viscosity 100°C mm <sup>2</sup> /s	ASTM D 445	4.3	5.7	10.2	12.9	16.7	19.2	32.5
Flash Point COC °C	ASTM D 92	228	230	245	260	281	299	280
Pour Point °C	ASTM D 97	-42	-42	-35	-32	-33	-21	-28
Acid ua/ue mgKOH/g	ASTM D 974	0.5	0.5	0.5	0.5	0.01	0.01	0.01
Moisture PPM	ASTM E 1064	<50	<50	<50	<50	<50	<50	<50

## Synthetical Oil PAG Series

Item	Test Way	PAG 56	PAG 100
Density 15°C g/cm <sup>3</sup>	ASTM D 1298	1.015	1.048
Color Hazen	ASTM D 1209	L0.5	L0.5
Viscosity 40°C mm <sup>2</sup> /s	ASTM D 445	56.4	94.8
Viscosity 100°C mm <sup>2</sup> /s	ASTM D 445	10.6	19.2
Flash Point COC °C	ASTM D 92	234	246
Pour Point °C	ASTM D 97	-40	-42.5
Acid ua/ue mgKOH/g	ASTM D 974	0.4	0.4
Moisture %	ASTM E 1064	50	50

## Mineral Oil GS Series

Item	Test Way	3GS	4GS	5GS
Density 15°C g/cm <sup>3</sup>	ASTM D 1298	0.909	0.915	0.921
Color Hazen	ASTM D 1500	L0.5	L1.0	L1.0
Viscosity 40°C mm <sup>2</sup> /s	ASTM D 445	29.5	54.9	94.6
Viscosity 100°C mm <sup>2</sup> /s	ASTM D 445	4.31	5.97	7.78
Flash Point COC °C	ASTM D 92	178	188	208
Pour Point °C	ASTM D 97	-40	-35	-27.5
Acid ua/ue mgKOH/g	ASTM D 974	0.01	0.01	0.01
Aniline Point °C	ASTM D 611	75.4	79.8	80.4
Moisture %	ASTM D 4928	20	20	20
Floc Point °C	ANSI/ASHRAE 86	-55	-46	-35

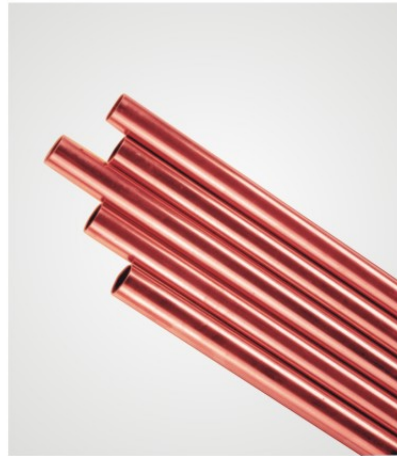


## Copper Fitting Size: 1/4"-5 1/8"

<b>Coupling with Stop C×C</b> 	<b>Coupling with Roll-Stop C×C</b> 	<b>Reducing Coupling C×C</b> 	<b>Fitting Reducing C×FTG.</b> 
<b>90° Elbow-Short Radius C×C</b> 	<b>90° Elbow-Short Radius C×FTG.</b> 	<b>90° Elbow-Long Radius C×C</b> 	<b>90° Elbow-Long Radius C×FTG.</b> 
<b>45° Elbow C×C</b> 	<b>45° Elbow C×FTG.</b> 	<b>Tee C×C×C</b> 	<b>Cap (Tube End)</b> 
<b>Return Bend C×C</b> 	<b>Suction Line (P-Trap) C×C</b> 	<b>Male Adapter M×C</b> 	<b>Female Adapter F×C</b> 

# Copper Tube

## ACR Straight Tube



### 20ft (6m) or 19ft (5.8m) Lengths\*

Standard according to ASTM B280.  
Ends capped, wooden case packing.  
Condition: Soft, half hardness, hardness, etc.

Outside (inch)	Diameter (mm)	Wall Thickness*		Nominal Weight (kgs/5.8 metres)
		(inch)	(mm)	
3/8	9.52	.030	0.76	1.08
1/2	12.70	.035	0.89	1.71
5/8	15.87	.040	1.02	2.46
3/4	19.05	.042	1.07	3.12
7/8	22.23	.045	1.14	3.90
1-1/8	28.58	.050	1.27	5.63
1-3/8	34.93	.055	1.40	7.62
1-5/8	41.28	.060	1.52	9.81
2-1/8	53.98	.070	1.78	15.09
2-5/8	66.68	.080	2.03	21.31
3-1/8	79.38	.090	2.29	28.67
3-5/8	92.08	.100	2.54	36.93
4-1/8	104.78	.110	2.79	46.21

\* To be adjusted as per specific requirement.

## ACR Soft Drawn Coil



### 50ft or 15m Lengths\*

Standard according to ASTM B280.  
Ends capped, shrink wrapped package in cardboard box.

O.D. (inch)	Thickness* (inch)	O.D. (mm)	Thickness* (mm)
3/16	.030	4.76	0.76
1/4	.030	6.35	0.76
5/16	.032	7.94	0.81
3/8	.032	9.52	0.81
1/2	.032	12.70	0.81
5/8	.035	15.87	0.89
3/4	.035	19.05	0.89
7/8	.045	22.23	1.14

\* To be adjusted as per specific requirement.

## Capillary Tube



Standard according to ASTM B360.  
Average O.D. Tolerance: +0.03mm  
Average I.D. tolerance: +0.02mm  
Condition: Soft, half hardness, hardness, etc.

O.D. inch(mm)	I.D. inch(mm)	Thickness inch(mm)
0.072(1.83)	0.026(0.660)	0.023(0.584)
0.072(1.83)	0.028(0.711)	0.022(0.558)
0.081(2.06)	0.031(0.787)	0.025(0.635)
0.081(2.06)	0.033(0.838)	0.024(0.609)
0.087(2.21)	0.039(0.991)	0.024(0.609)
0.093(2.36)	0.042(1.07)	0.0255(0.648)
0.097(2.46)	0.046(1.17)	0.025(0.635)
0.106(2.69)	0.054(1.37)	0.026(0.660)
0.112(2.84)	0.059(1.50)	0.0265(0.673)
0.125(3.18)	0.064(1.63)	0.0305(0.775)
0.145(3.68)	0.080(2.03)	0.0325(0.826)
0.188(4.78)	0.130(3.30)	0.029(0.737)
0.200(5.08)	0.145(3.68)	0.0275(0.699)
0.220(5.59)	0.160(4.06)	0.030(0.762)
0.240(6.10)	0.175(4.45)	0.0325(0.826)

\* To be adjusted as per specific requirement.

## Insulated Double Coil

Part No.	O.D.(inch)	Wall Thickness(mm)	Double Coil Length(m)	Double Coil Per Carton
FC-1438	1/4"	0.5	20	1
	3/8"	0.65		
FC-1412	1/4"	0.5	20	1
	1/2"	0.75		
FC-1458	1/4"	0.5	20	1
	5/8"	0.89		
FC-3858	3/8"	0.65	20	1
	5/8"	0.89		
FC-3834	3/8"	0.65	20	1
	3/4"	0.89		
FC-1234	1/2"	0.75	20	1
	3/4"	0.89		

To be adjusted as per specific requirement

1. Length 3m, 4m, 5m, 20m, 30m is available.
2. Length, wall thickness can be adjusted as per specific requirement.



## Distribute Tube for Dakin Central Air-conditioner

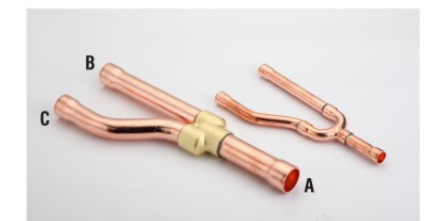
Part No.		A	B	C
11T	gas tube	19.05/15.88	15.88/12.7	15.88/12.7
	liquid tube	9.52	9.52/6.35	9.52/6.35
18T	gas tube	19.05/15.88	19.05/15.88/12.7	15.88/12.7
	liquid tube	9.52	9.52/6.35	9.52/6.35
22T	gas tube	19.05/15.88/12.7	15.88/12.7	15.88/12.7
	liquid tube	9.52	9.52/6.35	9.52/6.35
33T	gas tube	19.05/22.22	19.05/15.88	15.88/12.7
	liquid tube	12.7/9.52	9.52/6.35	9.52/6.35
37T	gas tube	25.4/28.58/31.8	25.4/19.05/15.88	19.05/15.88/12.7
	liquid tube	12.7/15.88	12.7/9.52	12.7/9.52/6.35
40T	gas tube	31.8/38.1	31.8/28.58/25.4	25.4/19.05/15.88
	liquid tube	19.05/15.88	19.05/15.88/12.7	15.88/12.7/9.52
72T	gas tube	25.4/28.58/31.8	25.4/19.05/15.88	19.05/15.88/12.7
	liquid tube	12.7/15.88	12.7/9.52	12.7/9.52/6.35
73T	gas tube	31.8/38.1	31.8/28.58/25.4	25.4/19.05/15.88
	liquid tube	19.05/15.88	19.05/15.88/12.7	15.88/12.7/9.52



KHR26M22T

## Distribute Tube for Toshiba Central Air-conditioner

Part No.		A	B	C
RBM-BY53E	gas tube	15.9	12.7	12.7
	liquid tube	12.7	9.5	9.5
RBM-BY103E	gas tube	22.2	19.1	19.1
	liquid tube	15.9	12.7	12.7
RBM-BY203E	gas tube	31.8	28.6	28.6
	liquid tube	15.9	15.9	15.9
RBM-BY303E	gas tube	38.1	38.1	38.1
	liquid tube	22.2	19.1	19.1



RBM-BY303E

## Distribute Tube for Mitsubishi Central Air-conditioner

Part No.		A	B	C
DIS-2A-1	gas tube	38.1/31.8	28.58/25.4	28.58/25.4
	liquid tube	22.22/19.05/15.88	12.7	12.7
DIS-22-1	gas tube	19.05/15.88/12.7	15.88/12.7/9.52	15.88/12.7/9.52
	liquid tube	9.52	9.52/6.35	9.52/6.35
DIS-180-1	gas tube	22.22/19.05/15.88	19.05/15.88/12.7/9.52	19.05/15.88/12.7/9.52
	liquid tube	15.88/12.7/9.52	12.7/9.52/6.35	12.7/9.52/6.35
DIS-371-1	gas tube	31.8/28.58/25.4	25.4/22.22/19.05	25.4/22.22/19.05
	liquid tube	15.88/12.7	15.88/12.7/9.52/6.35	15.88/12.7/9.52/6.35
DIS-540-1	gas tube	38.1/31.8/28.6	31.8/28.58/25.4/19.05	31.8/28.58/25.4/19.05
	liquid tube	22.22/19.05/15.88/12.7	19.05/15.88/12.7/9.52	19.05/15.88/12.7/9.52




DIS-2A

## Brass Fittings

				
<b>Short Nut</b>	<b>Forged Brass Nut</b>	<b>Union</b>	<b>Union Tee</b>	<b>90° Elbow (SAE*SAE)</b>
<b>Part No.</b>	<b>Part No.</b>	<b>Part No.</b>	<b>Part No.</b>	<b>Part No.</b>
SN-04 1/4" SN-05 5/16" SN-06 3/8"	SN-08 1/2" SN-10 5/8" SN-12 3/4"	FN-04 1/4" FN-06 3/8" FN-08 1/2"	FN-10 5/8" FN-12 3/4"	U-04 1/4" U-05 5/16" U-06 3/8"
		U-08 1/2" U-10 5/8" U-12 3/4"		UT-04 1/4" UT-06 3/8" UT-08 1/2"
				UT-10 5/8" UT-12 3/4"
				E-04 1/4" E-06 3/8" E-08 1/2"
				E-10 5/8" E-12 3/4"

				
<b>Adapter for R410A</b>	<b>Adapter for R410A</b>	<b>Reducing Union (SAE*SAE)</b>	<b>Male Connector (SAE*NPT)</b>	<b>Reducer (Solder)</b>
<b>Part No.</b>	<b>Part No.</b>	<b>Part No.</b>	<b>Part No.</b>	<b>Part No.</b>
AD78 1/4"SAE Female x 1/2" -20UNF Male	FC-00A 1/4"M*5/16"F FC-00B 5/16"M*1/4"F	RU-06x04 RU-08x04 RU-10x04 RU-10x06	RU-10x08 RU-12x08 RU-12x10	MC-04x02 MC-04x04 MC-04x06 MC-04x08 MC-06x04 MC-06x06
AD87 1/4"SAE Male x 1/2" -20UNF Female				MC-06x08
FC-410 5/16" Female x 1/4" Male				MC-08x04 MC-08x06 MC-08x08 MC-10x08
				SR-04x04 SR-04x06 SR-04x08 SR-06x06 SR-06x08 SR-06x10
				SR-08x10 SR-08x12 SR-10x08 SR-10x10 SR-10x12



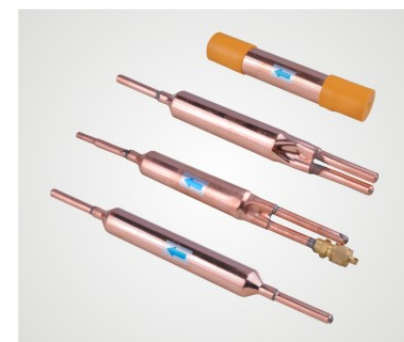
<b>Part No.</b>	<b>Description</b>
BC-01	1/4"M*5/16"F
BC-02	5/16"M*1/4"F
BC-03	1/4"M*1/4"F




<b>Part No.</b>	<b>Description</b>
CT-7000	For 3/16", 1/4", 5/16", 3/8" or 1/2" tube

<b>Part No.</b>	<b>Description</b>
HT-03A	Completed with valve core, valve core remover & tube 3/16"O.D.
HT-04A	Completed with valve core, valve core remover & tube 1/4"O.D.
HT-06A	Completed with valve core, valve core remover & tube 3/8"O.D.
HT-04B	Completed with valve core, quick seal cap & tube 1/4"O.D.
CTN-90	Capillary tube 1/8" x 90cm with two nuts
CTN-100	Capillary tube 1/8" x 100cm with two nuts
CTN-150	Capillary tube 1/8" x 150cm with two nuts

## Copper Spun Filter Drier



PART No.	Molecular Sieve	Dia.	Inlet	Outlet	Description
XS110	10g	5/8"	1/4"	1/4"or capillary	copper shells and end tubes
XS115	15g	3/4"	1/4"	1/4"or capillary	copper shells and end tubes
XS120	20g	3/4"	1/4"	1/4"or capillary	copper shells and end tubes
XS210	10g	5/8"	1/4"	1/4"or capillary	plastic cap covered ends
XS215	15g	3/4"	1/4"	1/4"or capillary	plastic cap covered ends
XS220	20g	3/4"	1/4"	1/4"or capillary	plastic cap covered ends
XS225	25g	1"	1/4"	1/4"or capillary	plastic cap covered ends
XS230	30g	1"	1/4"	1/4"or capillary	plastic cap covered ends
XS320	20g	1"	1/4", 1/4"	1/4"or capillary	double inlet, fused ends
XS420	20g	1"	1/4", 1/4"SAE	1/4"or capillary	charging drier



## Konor LBP Hermetic Compressor (R134a)

Model	Displ. cm <sup>3</sup>	Power HP	Motor Type	Volt. -Frequency V/Hz	Cooling Capacity w	Input Power		COP		Height (A) mm	Net Weight kg
						without RC w	with RC w/w	without RC w/w	with RC w/w		
GQR45AA	4.6	1/8	RSIR	220-240 / 50Hz	110	96	-	1.15	-	176	8.8
GQR60AA	6.0	1/6	RSIR	220-240 / 50Hz	140	116	-	1.21	-	176	9.4
GQR70AA	6.6	1/5	RSIR	220-240 / 50Hz	165	136	-	1.21	-	176	9.4
GQR80AA	8.1	1/4	RSIR	220-240 / 50Hz	198	166	-	1.19	-	186	9.4
GQR90AA	9.1	1/4	RSIR	220-240 / 50Hz	220	184	-	1.19	-	186	10.1
GQY60AA	6.0	1/6	RSIR/RSCR	220-240 / 50Hz	157	115	112	1.36	1.40	176	9.4
GQY70AA	6.6	1/5	RSIR/RSCR	220-240 / 50Hz	175	126	121	1.39	1.45	186	10.0
GQY80AA	8.1	1/4	RSIR/RSCR	220-240 / 50Hz	222	164	158	1.35	1.41	186	10.3
GQY90AA	9.1	1/4	RSIR/RSCR	220-240 / 50Hz	245	184	176	1.33	1.39	186	10.3
GQY99AA	9.9	1/4	RSIR/RSCR	220-240 / 50Hz	270	203	194	1.33	1.39	199	10.9



### Konor LBP Hermetic Compressor (R134a)

Model	Displ. cm <sup>3</sup>	Power HP	Motor Type	Volt. -Frequency V/Hz	Cooling Capacity w	Input Power		COP	
						without RC w	with RC w	without RC w/w	with RC w/w
GQR45AG	4.6	1/8	RSIR	200-220V/50HZ	109	96	-	1.13	-
				220-230V/60HZ	128	115	-	1.11	-
GQR60AG	6	1/6	RSIR	200-220V/50HZ	140	119	-	1.18	-
				220-230V/60HZ	165	142	-	1.16	-
GQR70AG	6.6	1/5	RSIR	200-220V/50HZ	166	138	-	1.2	-
				220-230V/60HZ	194	161	-	1.2	-
GQR80AG	8.1	1/5	RSIR	200-220V/50HZ	195	160	-	1.22	-
				220-230V/60HZ	229	160	-	1.2	-
GQR90AG	9.1	1/5	RSIR	200-220V/50HZ	220	178	-	1.24	-
				220-230V/60HZ	258	208	-	1.24	-
GQY60AG	6	1/6	RSIR/RSCR	200-220V/50HZ	157	130	115	1.21	1.37
				220-230V/60HZ	184	153	147	1.2	1.25
GQY70AG	6.6	1/5	RSIR/RSCR	200-220V/50HZ	170	130	125	1.31	1.36
				220-230V/60HZ	200	153	147	1.31	1.36
GQY80AG	8.1	1/4	RSIR/RSCR	200-220V/50HZ	225	163	155	1.38	1.45
				220-230V/60HZ	264	191	182	1.38	1.45
GQY90AG	9.1	1/4	RSIR/RSCR	200-220V/50HZ	245	175	168	1.4	1.46
				220-230V/60HZ	290	210	202	1.38	1.44
GPY12AF	11.8	1/3	CSIR	200-240V/50HZ	325	244	-	1.33	-
GPY16AF	16.2	3/8	CSIR	200-240V/50HZ	380	292	-	1.3	-

### Konor LBP Hermetic Compressor (R600a)

Model	Displ. cm <sup>3</sup>	Power HP	Motor Type	Volt. -Frequency V/Hz	Cooling Capacity w	Input Power		COP	
						without RC w	with RC w	without RC w/w	with RC w/w
HQT99AA	9.9	1/6	RSCR	220-240V/50HZ	165	-	97	-	1.7
HQU99AA	9.9	1/6	RSCR	220-240V/50HZ	165	-	92	-	1.8
HPT12AA	12.1	1/5	RSCR	220-240V/50HZ	192	-	112	-	1.72
HPT16AA	16.1	1/4	RSCR	220-240V/50HZ	250	-	140	-	1.78
HWM55AZ	5.5	1/8	RSIR	220-240V/50HZ	85	61	-	1.4	-
HWM60AZ	6	1/8	RSIR	220-240V/50HZ	100	69	-	1.4	-
HWM70AZ	6.6	1/7	ESCR	220-240V/50HZ	115	79	-	1.45	-
HWM75AZ	7.4	1/7	RSIR	220-240V/50HZ	125	86	-	1.45	-
HWT55AA	5.5	1/8	RSCR	220-240V/50HZ	85	-	53	-	1.65
HWT60AA	6	1/8	RSCR	220-240V/50HZ	100	-	59	-	1.65
HWT70AA	6.6	1/7	RSCR	220-240V/50HZ	115	-	68	-	1.68
HWT75AA	7.4	1/7	RSCR	220-240V/50HZ	125	-	74	-	1.7
HWU55AA	5.5	1/8	ESCR	220-240V/50HZ	85	-	50	-	1.7
HWU60AA	6	1/8	ESCR	220-240V/50HZ	100	-	57	-	1.7
HWU70AA	6.6	1/7	ESCR	220-240V/50HZ	115	-	65	-	1.75
HWU75AA	7.4	1/7	ESCR	220-240V/50HZ	125	-	71	-	1.76
HHC80AA	8.1	1/7	RSIR/RSCR	220-240V/50HZ	134	96	86	1.49	1.55
HHC90AA	9.1	1/7	RSIR/RSCR	220-240V/50HZ	156	100	98	1.56	1.6
HHT75AA	7.4	1/7	RSCR	220-240V/50HZ	121	-	74	-	1.63
HHT80AA	8.1	1/7	RSCR	220-240V/50HZ	134	-	81	-	1.65
HHT90AA	9.1	1/7	RSCR	220-240V/50HZ	156	-	93	-	1.68
HHU70AA	6.6	1/8	ESCR	220-240V/50HZ	100	-	60	-	1.68
HHU75AA	7.4	1/7	ESCR	220-240V/50HZ	121	-	72	-	1.68
HHU80AA	8.1	1/7	ESCR	220-240V/50HZ	134	-	77	-	1.75
HHB60AA	6	1/8	ESCR	220-240V/50HZ	100	-	53	-	1.89
HHB70AA	6.6	1/8	ESCR	220-240V/50HZ	120	-	62	-	1.94
HHB80AA	8.1	1/7	ESCR	220-240V/50HZ	140	-	72	-	1.94

Model	Power HP	Displ. (cm <sup>3</sup> )	Motor Type	Cooling	Capacity(W)			COP	V/Hz	Oil Charge(cc)
					54.4°C/130 F Condensing Temp					
					W-23.3°C	Kcal/H	Btu/H			
QD43H	1/8	4.30	RSIR	S	112	96	382	1.09	220/50	230
QD52H	1/6	5.20	RSIR	S	132	114	450	1.15	220/50	230
QD59H	1/6	5.70	RSIR	S	138	118	470	1.15	220/50	230
QD65H	1/5	6.60	RSIR	S	165	142	562	1.18	220/50	230
QD75H	1/4	7.70	RSIR	S	190	164	648	1.20	220/50	250
QD91H	1/4	9.10	RSIR	S/F	212	182	723	1.23	220/50	250
QD110H	1/3	11.00	RSIR	F	284	232	968	1.23	220/50	250
QD128H	3/8	12.80	RSIR	F	320	275	1091	1.25	220/50	250
QD142H	1/2	14.20	RSIR	F	348	299	1187	1.26	220/50	250
QD158H	1/2	15.80	RSIR	F	450	387	1535	1.30	220/50	250

**Test Conditions:**  
 (1) Ambient Temp. = 32.2°C (90F) (3) Suction Temp. = 32.2°C (90F)  
 (2) Condensing Temp. = 54.4°C (130F) (4) Sub-cooling Temp. = 32.2°C (90F)

**Tolerance of performance date:**  
 (1) Capacity ≥ 95%  
 (2) Input Power ≤ 115%  
 (3) Current ≥ 110%  
 (4) COP ≥ 93%

**Cooling Type:**  
 S: Static Cooling  
 F: Fan Cooling  
 H: R134a Refrigerant

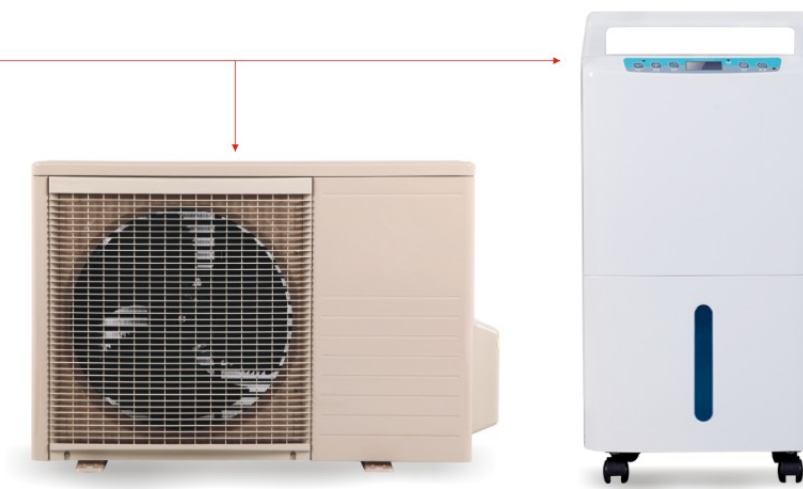
The compressor is the same with refrigeration implement which usually include refrigerator, refrigeration deepfreeze, kitchen refrigeration, display case, revelation tank, dehumidify appliance etc. The main feature: light compact, efficiency, good reliability, low noise vibration.

### QD(R134a) Series Refrigeration Compressor (LBP/MBP)



### OEM Rotary Compressor

Available for Air-conditioner, Dehumidifier and Industrial Water Chillers, Oil Cooling Unit etc.



Part No.	Power (HP)	Displ. (cm <sup>3</sup> )	Voltage (V)	Frequency (Hz)	Nominal Capacity			Input power (w)	Current (A)	Run Capacitor (μF/450V)
					W	Kcal/Hr	Btu/h			
FCQX-10g	0.6	9.6	220	50	1680	1445	5712	580	2.7	20
FCQX-13g	0.75	13.5	220	50	2120	1800	7200	730	3.5	25
FCQX-16g	1	16.4	220	50	2730	2350	9282	915	4.2	25
FCQX-19g	1.25	19.2	220	50	3210	2750	10914	1100	5.1	30
FCQX-21g	1.5	21.3	220	50	3650	3150	12300	1210	5.6	30
FCQX-23g	1.5	23.5	220	50	3920	3400	13328	1300	6.1	30
FCQX-25g	1.75	25.4	220	50	4220	3650	14350	1410	6.6	35
FCQX-30g	2	30.7	220	50	5200	4460	17680	1800	8.6	50
FCQX-32g	2	33.6	220	50	5640	4850	19176	1925	9.1	50
FCQX-41g	3	41.2	220	50	7060	6072	24004	2360	11.2	50
FCQX-44g	3	44.2	220	50	7620	6553	25908	2540	12.0	50

\*R407c Compressors available; 115V/60Hz Type available.



## QR Series Hermetic Compressor (Replacement for Tecumseh Compressor)

Model	Nominal Power (Hp)	Displacement (cm <sup>3</sup> )	Weight (kg)	Refrigerant	Oil Charge (cm <sup>3</sup> )	Power Source	Refrigeration Capacity at 50Hz Rated								
							@54.5°C/130°F Cond. Temp								
							Evaporating Temperature								
-25°C	-15°C	-10°C	0°C	+7°C	+15°C										
QR44	2	44	33	R22	1500	220~240V/ 1PH/50Hz	1320*	1960	2480	4300	5770	7830			
QR52	2.5	52	33	R22	1500		1610*	2370	3180	5300	7050	9200			
QR58	3	58.2	34	R22	1500		1820*	2720	3680	5950	7900	10300			
QR62	3	62.7	34	R22	1500		1950*	2890	3830	6300	8500	11540			
QR3-44	2	44	31	R22	1500	380V/3PH/ 50Hz	1320*	1960	2480	4300	5770	7830			
QR3-52	2.5	52	31	R22	1500		1610*	2370	3180	5300	7050	9200			
QR3-58	3	58.2	33	R22	1500		1820*	2720	3680	5950	7900	10300			
QR3-62	3	62.7	33	R22	1500		1950*	2890	3830	6300	8500	11540			
QR3-74	3.5	74.2	33	R22	1500	380V/3PH/ 50Hz	2038*	3000	4300	7330	9860	12900			
QR3-90	4	90.2	46	R22	2000		1330*	3100	4370	7840	11250	16000			
QR3-100	4.5	100.7	46	R22	2000		1530*	3880	5310	9100	12930	18400			
QR3-112	5	112.5	46	R22	2000		2060*	4470	6130	10600	14900	20660			
QR3-124	6	124.4	48	R22	2000	380V/3PH/ 50Hz	2500*	5160	6870	11860	16640	23360			
QR3-134	7	134.8	48	R22	2000		2800*	5630	7500	12630	17800	25200			



QR Series



QHR Series

### Replacement Information

Our Model	QR44	QR52	QR58	QR62	QR3-44	QR3-52	QR3-58	QR3-62	QR3-74	QR3-90	QR3-112	QR3-124	QR3-134
Tecumseh Model	4524	4528	4531	4538	4524	4528	4531	4538	4540	4546	4561	4568	4573
Power	2HP	2.5HP	3HP	3HP	2HP	2.5HP	3HP	3HP	3.5HP	4HP	5HP	6HP	7HP

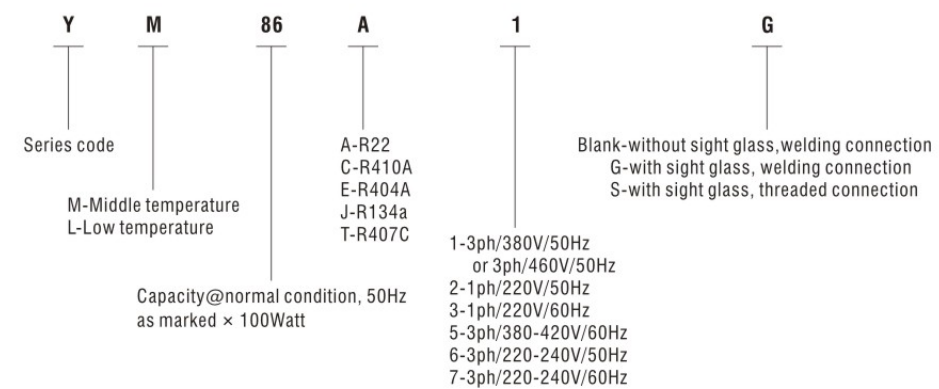
Our Model	QR44A	QR52A	QR58A	QR62A	QR3-44A	QR3-52A	QR3-58A	QR3-62A	QR3-74A	QR3-90A	QR3-112A	QR3-124A	QR3-134A
Tecumseh Model	5524	5528	5531	5538	5524	5528	5531	5538	5540	5546	5561	5568	5573
Power	2HP	2.5HP	3HP	3HP	2HP	2.5HP	3HP	3HP	3.5HP	4HP	5HP	6HP	7HP

### QHR Series Horizontal A/C Compressor

Refrigerant	Model	Power Source	Displacement (cm <sup>3</sup> )	Nominal Power		Input Power (w)	Current (A)	Capacitor UF/450VAC
				W	Btu/H			
R22	QHR-10E	220V/50Hz	1550	9.6	5270	530	2.45	20
R22	QHR-13E	220V/50Hz	2120	13.5	7208	750	3.5	25
R22	QHR-16E	220V/50Hz	2730	16.4	9282	950	4.5	25
R22	QHR-19E	220V/50Hz	3210	19.6	10914	1120	5.1	30
R22	QHR-23E	220V/50Hz	3920	23.6	13328	1360	6.3	35
R22	QHR-30E	220V/50Hz	5200	30.7	19680	1800	8.6	50
R22	QHR-36E	220V/50Hz	6060	35.7	20604	2090	9.8	50



### Nomenclature for compressors

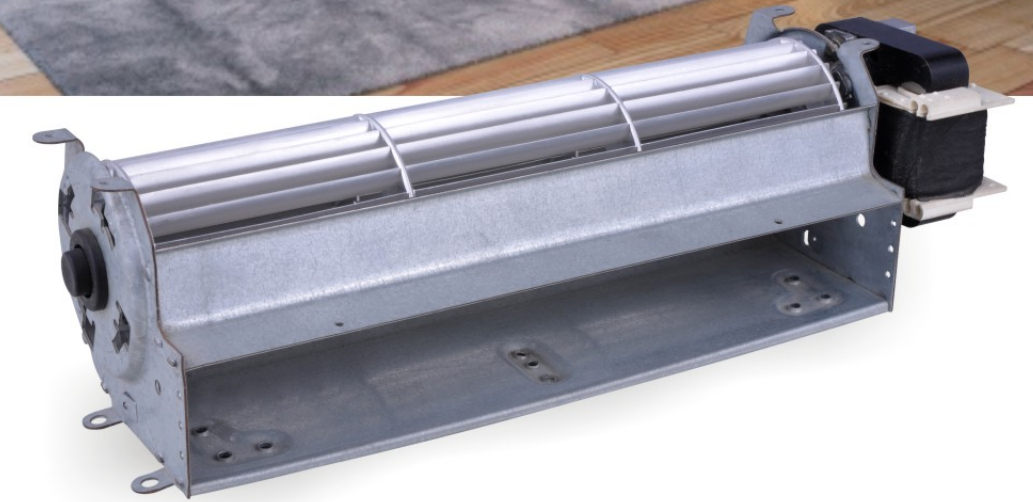


### YM/YF Series Scroll Compressor (Replacement for Copeland Scroll Compressor)

Model	Capacity (HP)	Weight (kg)	Refrigerant	Oil Charge (L)	Power Source	Cooling Capacity (W)	Current (A)	COP
YM34A2G-100	2	31	R22	1.3	220V/50HZ/1P	3600	8.6	1.98
YM43A2G-100	2.5	31	R22	1.3		4300	10.1	2.02
YM49A2G-100	3	31	R22	1.3		4900	10.6	2.13
YM70A2G-100	4	33	R22	1.3	380V/50HZ/3P	7000	15.1	2.21
YM34A1G-100	2	29	R22	1.3		3400	4	2.1
YM43A1G-100	2.5	29	R22	1.3		4300	4.7	2.12
YM49A1G-100	3	30	R22	1.3		4900	4.9	2.18
YM70A1G-100	4	31	R22	1.3		7000	6.1	2.25
YM86A1G-100	5	31	R22	1.3		8600	7.6	2.3
YM102A1G-100	6	33	R22	1.3		10200	8.5	2.3
YM132A1G-100	8	53	R22	2.6	13200	11.6	2.32	
YM172A1G-100	10	54	R22	2.6	17200	13.7	2.35	
YM200A1G-100	12	54	R22	2.6	20000	15.2	2.35	
YF13A2G-Q100	2	31	R22	1.3	220V/50HZ/1P	1300	5.6	1.1
YF17A2G-Q100	2.5	31	R22	1.3		1660	7.1	1.11
YF20A2G-Q100	3	31	R22	1.3		1950	8.1	1.12
YF29A2G-Q100	4	33	R22	1.3		2950	11.4	1.22
YF13A1G-Q100	2	30	R22	1.3	380V/50HZ/3P	1300	2.3	1.12
YF17A1G-Q100	2.5	30	R22	1.3		1660	2.7	1.13
YF20A1G-Q100	3	30	R22	1.3		1950	4.3	1.14
YF29A1G-Q100	4	32	R22	1.3		2900	4.8	1.32
YF35A1G-Q100	5	32	R22	1.3		3500	5.9	1.37
YF41A1G-Q100	6	33	R22	1.3		4100	6.4	1.4

YM: evaporating temperature -6.7°C, condensing temperature 48.9°C, suction temperature 4.4°C, no liquid sub-cooling.  
YF: evaporating temperature -31.6°C, condensing temperature 40.6°C, suction temperature 4.4°C, no liquid sub-cooling.

# We Supply Famous Brand Compressor



## Cross Flow Fan (Low Noise)

Part No.	Voltage (VAC)	Diameter (mm)	Power (w)	RPM	Air Flow (m <sup>3</sup> /h)	Wheel Length (mm)
BW-0	220	60	15	2500	40	60
BW-0.5	220	60	20	1550	70	120
BW-1	220	60	33	1800	150	180
BW-2	220	60	33	1700	170	240
BW-2.5	220	60	45	1600	230	300
BW-3	220	60	45	1450	250	360



YJF

### YJF Series Condenser Fan Motor

Part No.	Output Power(w)	Voltage(v)	Frequency(Hz)	Fan Size(mm)	RPM	Rotation
YJF203	3	110/220	50/60	154	1300/1550	CW/CCW
YJF205	5	110/220	50/60	170/200	1300/1550	CW/CCW
YJF207	7	110/220	50/60	200/230	1300/1550	CW/CCW
YJF310	10	110/220	50/60	230	1300/1550	CW/CCW
YJF316	16	110/220	50/60	230/250	1300/1550	CW/CCW
YJF318	18	110/220	50/60	230/250	1300/1550	CW/CCW
YJF325	25	110/220	50/60	250/300	1300/1550	CW/CCW
YJF334	34	110/220	50/60	300	1300/1550	CW/CCW



YJFN

### YJFN Series Condenser Fan Motor

Part No.	Output Power(w)	Voltage(v)	Frequency(Hz)	Fan Size(mm)	RPM	Rotation
YJFN203	3	110/220	50/60	154	1300/1550	CW/CCW
YJFN205	5	110/220	50/60	170/200	1300/1550	CW/CCW
YJFN207	7	110/220	50/60	200/230	1300/1550	CW/CCW
YJFN310	10	110/220	50/60	230	1300/1550	CW/CCW
YJFN316	16	110/220	50/60	230/250	1300/1550	CW/CCW
YJFN318	18	110/220	50/60	230/250	1300/1550	CW/CCW
YJFN325	25	110/220	50/60	250/300	1300/1550	CW/CCW
YJFN334	34	110/220	50/60	300	1300/1550	CW/CCW



EBM

### EBM Series Condenser Fan Motor

Part No.	Output Power(w)	Voltage(v)	Frequency(Hz)	Fan Size(mm)	RPM	Rotation
EBN203	3	110/220	50/60	154	1300/1550	CW/CCW
EBN205	5	110/220	50/60	170/200	1300/1550	CW/CCW
EBN207	7	110/220	50/60	200/230	1300/1550	CW/CCW
EBN310	10	110/220	50/60	230	1300/1550	CW/CCW
EBN316	16	110/220	50/60	230/250	1300/1550	CW/CCW
EBN318	18	110/220	50/60	230/250	1300/1550	CW/CCW
EBN325	25	110/220	50/60	250/300	1300/1550	CW/CCW
EBN334	34	110/220	50/60	300	1300/1550	CW/CCW

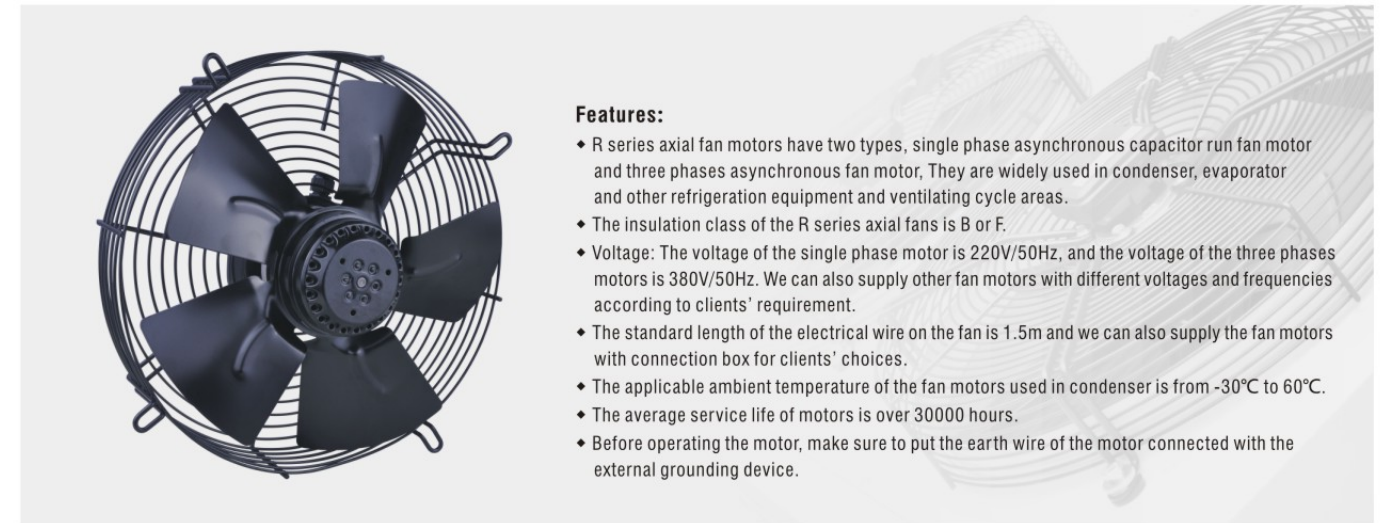


EC

**EC Motor's efficiency rate is significantly raised to 60%, while that of ordinary motor is only 20%.**

### EC Motor

Model	Voltage	Frequency	Input	Current	Speed	Air Volume	Fan Blade	License
GE7108	220-240	50/60	4.5	0.04	1300	420	Φ170/28°	VDE CE UL
GE7112	220-240	50/60	9.5	0.08	1300	660	Φ230/28°	VDE CE UL



#### Features:

- ◆ R series axial fan motors have two types, single phase asynchronous capacitor run fan motor and three phases asynchronous fan motor, They are widely used in condenser, evaporator and other refrigeration equipment and ventilating cycle areas.
- ◆ The insulation class of the R series axial fans is B or F.
- ◆ Voltage: The voltage of the single phase motor is 220V/50Hz, and the voltage of the three phases motors is 380V/50Hz. We can also supply other fan motors with different voltages and frequencies according to clients' requirement.
- ◆ The standard length of the electrical wire on the fan is 1.5m and we can also supply the fan motors with connection box for clients' choices.
- ◆ The applicable ambient temperature of the fan motors used in condenser is from -30°C to 60°C.
- ◆ The average service life of motors is over 30000 hours.
- ◆ Before operating the motor, make sure to put the earth wire of the motor connected with the external grounding device.

### Axial Fan Motor

Part No.	Voltage	Frequency	Power(w)	Current(A)	Fan Size(mm)
R09E-3030A-4M	220	50	80	0.4	300
R09E-3030A-4T	380	50	70	0.22	300
R11E-3530A-4T	380	50	150	0.45	350
R11E-3530A-4M	220	50	150	0.7	350
R11E-3530A-6M	220	50	75	0.4	350
R11E-4030A-4T	380	50	200	0.6	400
R11E-4030A-4M	220	50	200	0.95	400
R11E-4030A-6M	220	50	120	0.55	400
R11E-4530A-4T	380	50	250	0.55	450
R11E-4530A-4M	220	50	250	1.15	450
R11E-4530A-6M	220	50	95	0.46	450
R13E-5030A-4T	380	50	380	0.75	500
R13E-5030A-4M	220	50	450	2.1	500
R13E-5030A-6M	220	50	175	0.8	500
R13E-5625A-4T	380	50	600	1.2	560
R13E-5625A-6T	380	50	200	0.52	560
R13E-5625A-6M	220	50	220	1.0	560
R13E-6325A-6T	380	50	330	1.2	630
R13E-6325A-6M	220	50	350	1.8	630
R13E-6325A-8M	220	50	250	1.25	630

\* To be adjusted as per specific requirement.

## C Frame Shaded Pole Motor

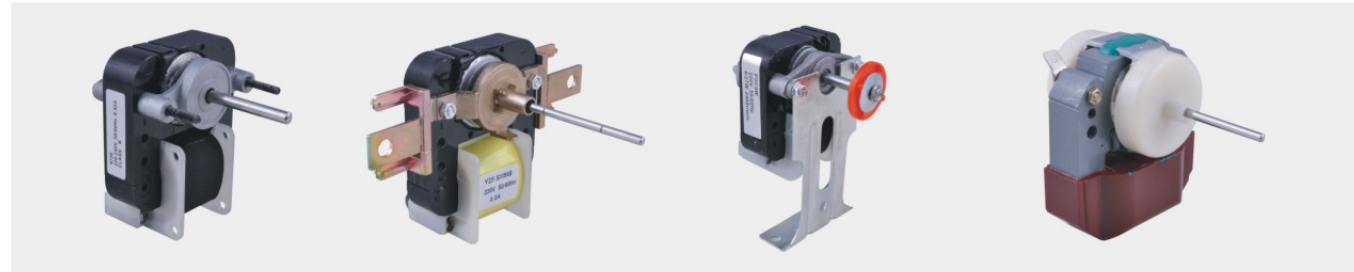


SM102J

SM329

KM334

YJF607A-5C



SM672

SM998

PSC4W(YZF3206)

YZF2261

Part No.	Voltage(V)	Frequency(Hz)	Current(A)	Input(W)	Shaft size(Inch)	Rotation
SM102J	220	50/60	0.12	13	1/8" x 1"	CW
SM329	120	60	0.48	20	-	CW
KM334	220	50/60	0.18	15	3/16" x 1/16"	CW
YJF607A-5C	220	50/60	0.065	7	1/8" x 1-5/16"	CW/CCW
SM672	220	50/60	0.32	20	3/16" x 1-7/16"	CW/CCW
SM998	240	50	0.2	18	1/8" x 2"	CW
PSC4W	220	50/60	0.2	27	-	CCW
YZF2261	220	50	0.08	6.5	1/8" x 1-5/16"	CW/CCW

## Axial Flow Draft Fan

Operating temperature:-10°C to 70°C (Sleeve)-20°C to 80°C (Ball)

Operating voltage:110V ranged from 85V to 125V

220V ranger from 190V to 245V

Operating humidity:between 20% to 85%

Insulation resistance:10MΩ at 500VDC

Dielectric strength:1 minute at 1500VAC/50-60Hz

Current:<5mA



Q Type

E Type

Part No.	Bearing	Voltage (v)	Current (A)	Noise dB(A)	Power (w)	RPM	Airflow (CFM)
FC8025A2HSL	Sleeve	220	0.08/0.07	29/33	17.6/15.4	2100/2250	17/21
FC8025A2HBL	Ball	220	0.08/0.07	30/34	17.6/15.4	2200/2300	18/22
FC8038A2HSL	Sleeve	220	0.07/0.06	31/35	15.4/13.2	2200/2400	30/35
FC8038A2HBL	Ball	220	0.07/0.06	32/36	15.4/13.2	2200/2400	30/35
FC9225A2HSL	Sleeve	220	0.08/0.07	32/36	17.6/15.4	2000/2150	25/31
FC9225A2HBL	Ball	220	0.08/0.07	34/38	17.6/15.4	2050/2200	27/32
FC1025A2HSL	Sleeve	220	0.08/0.07	32/36	17.6/15.4	2000/2150	45/55
FC1025A2HBL	Ball	220	0.08/0.07	34/38	17.6/15.4	2050/2200	46/56
FC1225A2HSL	Sleeve	220	0.08/0.07	33/37	17.6/15.4	2000/2150	58/73
FC1225A2HBL	Ball	220	0.08/0.07	34/38	17.6/15.4	2050/2200	60/76
FC1238A2HSL	Sleeve	220	0.14/0.12	44/46	30.8/22.0	2600/3000	75/90
FC1238A2HBL	Ball	220	0.14/0.12	45/47	30.8/22.0	2600/3000	77/92

## Circular duct fan (metal)



Casing Use high-quality steel plate Surface dusting processing



External optimization ABS(FR) connection box



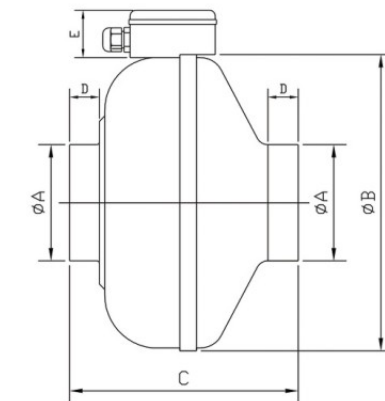
NSK ball bearing, acceptable for long time operation



External rotor motor with low energy consumption, long life

## Features

- Casing made of high quality steel plate
- Backward-curved centrifugal impeller using PA66 (FR)
- ABS (FR) connection box
- External rotor motor with low temperature rise
- Motor is equipped with automatic reset thermal overload protection
- NSK ball bearing, acceptable for continuous operation of 5000h
- Operating temperature range -20°C~50°C
- Insulation Class F
- Enclosure class IP 44



## Dimension Table (mm)

Model	DJT100M	DJT125M	DJT150M	DJT160M	DJT200M	DJT250M	DJT315M
A	100	125	150	160	200	250	315
B	243	243	333	333	333	333	402
C	194	195	222	222	223	205	258
D	23	27	28	28	25	27	25
E	42	42	42	42	42	42	42

## Performance parameter

Model	Voltage (V~)	Frequency (Hz)	Airflow		Static Pressure (Pa)	Noise (dB)	Speed (r.p.m)	Power (W)	Current (A)	Weight (Kg)
			CMN	CFM						
DJT10U-25M	220~230	50	260	153	295	64	2390	70	0.30	3.4
DJT10A-25M	110	60	320	189	445	67	2600	79	0.67	3.4
DJT12U-35M	220~230	50	360	212	345	64	2300	75	0.34	3.8
DJT12A-35M	110	60	425	251	400	67	2480	82	0.69	3.8
DJT15U-45M	220~230	50	550	325	395	65	2460	100	0.45	4.2
DJT15A-45M	110	60	820	484	470	68	2769	121	1.00	4.2
DJT16U-45M	220~230	50	620	366	395	66	2720	110	0.47	4.5
DJT16A-45M	110	60	860	507	470	68	2868	136	1.13	4.5
DJT20U-46M	220~230	50	930	549	565	67	2600	158	0.69	4.8
DJT20A-46M	110	60	998	589	705	69	2868	156	1.31	4.8
DJT25U-66M	220~230	50	1030	608	560	68	2410	190	0.86	5.5
DJT25A-66M	110	60	1100	649	700	69	2450	184	1.53	5.5
DJT31U-66M	220~230	50	1800	1062	700	70	2490	280	1.22	6.8
DJT31A-66M	110	60	1895	1118	890	71	2675	265	2.22	6.8

## Shut-off Valve(Hand Valves)



Part No.	Connection
HT-04	1/4" flare
HT-06	3/8" flare
HT-08	1/2" flare
HT-10	5/8" flare
HT-12	3/4" flare



Part No.	Connection
HT-04S	1/4" ODF
HT-06S	3/8" ODF
HT-08S	1/2" ODF
HT-10S	5/8" ODF
HT-12S	3/4" ODF

## Split A/C Valves



Part No.	Tube	Connection Thread
FC-602	1/4"	7/16"-20UNF
FC-603	3/8"	5/8"-18UNF
FC-604	1/2"	3/4"-16UNF
FC-605	5/8"	7/8"-14UNF
FC-606	3/4"	1-1/16"-14UNF

## Bi-directional Ball Valves



Part No.	ODF		Part No.	ODF		Part No.	ODF	
	mm	inch.		mm	inch.		mm	inch.
BV001-1	-	1/4"	BV006	16	-	BV012	42	-
BV001	10	-	BV007	-	3/4"	BV013	-	1-5/8"
BV002	-	3/8"	BV008	22	7/8"	BV014	54	2-1/8"
BV003	12	-	BV009	28	-	BV015	67	2-5/8"
BV004	-	1/2"	BV010	-	1-1/8"	BV016	80	3-1/8"
BV005	16	5/8"	BV011	35	1-3/8"	BV017	102	4-1/8"

## Rotalock Valves

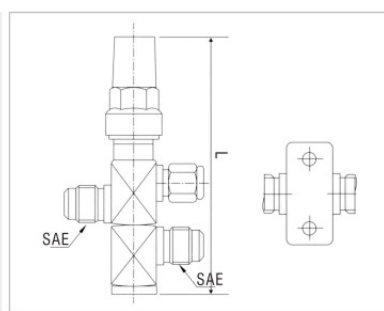


Part No.	Tube	Thread
V01	3/8"	1"×14
V02	1-1/8"	1-3/4"×12
V03	1-3/8"	1-3/4"×12
V04	3/4"	1-1/4"×12
V05	7/8"	1-1/4"×12
V06	1/2"	1"×14
V07	7/8"	1-3/4"×12
V09	5/8"	1-1/4"×12



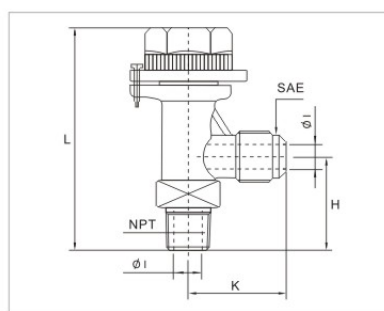
Part No.	Tube	Thread
VS01	3/8"	1"×14
VS02	1-1/8"	1-3/4"×12
VS03	1-3/8"	1-3/4"×12
VS04	3/4"	1-1/4"×12
VS05	7/8"	1-1/4"×12
VS06	1/2"	1"×14
VS07	7/8"	1-3/4"×12
VS09	5/8"	1-1/4"×12

## Vertical Valves with Bracket



Part No.	SAE		L (mm)	Valve body
	inch	mm		
DG4	1/4"	6	118	□ 20
DG8	3/8"	10	115	□ 20
DG10	1/2"	12	120	□ 20
DG13	5/8"	16	118	□ 20
DG16	3/4"	19	141	□ 30
DG19	7/8"	22	141	□ 30

## Safety Valves



Part No.	SAE Flare	NPT	H (mm)	K (mm)	I (mm)	L (mm)
SV1	3/8"	1/4"	33.5	32	7	81
SV2	1/2"	1/4"	33.5	32	7	81
SV3	3/8"	3/8"	32.5	35	7	81.5
SV4	1/2"	3/8"	32.5	35	7	81.5
SV5	5/8"	1/2"	36.5	41	9.5	90

## Copper Solder Tee

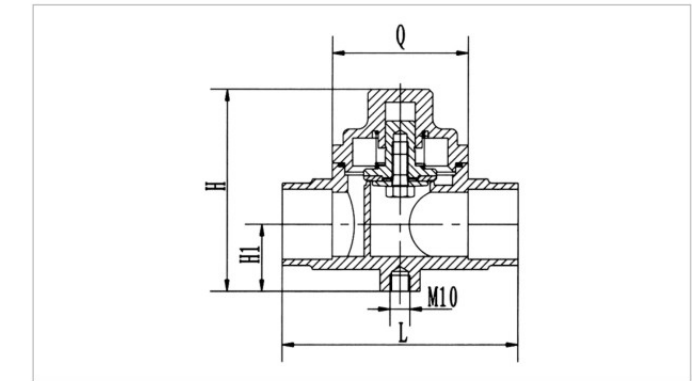
Part No.	Description
204AVT-4R	1/4 ODS x 5/16 ODF tube & 1/4 access on branch w/core remover
204AVT-5R	5/16 ODS x 3/8 ODF tube & 1/4 access on branch w/core remover
204AVT-6R	3/8 ODS x 7/16 ODF tube & 1/4 access on branch w/core remover
204AVW-8R	1/2 ODS tube & 1/4 access on branch w/core remover
204AVW-10R	5/8 ODS tube & 1/4 access on branch w/core remover
204AVW-12R	3/4 ODS tube & 1/4 access on branch w/core remover
204AVW-14R	7/8 ODS tube & 1/4 access on branch w/core remover



## Plunger Check Valves

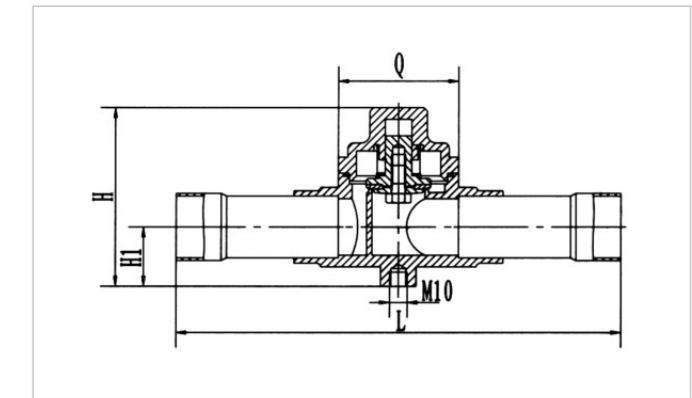
### Features:

We have 2 types of the plunger check valve, one is standard and the other is with ODF extended tube. Both of these 2 types can provide in either inch sizes or metric sizes. (Inch sizes are from 7/8" ~ 2-1/8"; Metric sizes are from 22mm ~ 54mm). All valves are with screw hole that could be installed on the panel.



## Standardized Valve

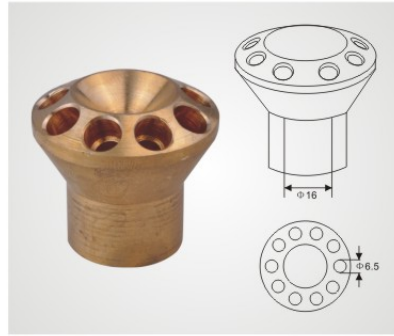
Part No.	ODF Connection		H		H1		L		Q	
	Inch	mm	Inch	mm	Inch	mm	Inch	mm	Inch	mm
SR-3122/7	7/8	22.4	3.3	84.5	1.1	28.5	3.9	100	2.4	60
SR-3122/9	1-1/8	28.8	3.3	84.5	1.1	28.5	3.9	100	2.4	60
SR-3122/11	1-3/8	35.0	4.0	101.5	1.3	34	4.6	118	2.8	68
SR-3122/13	1-5/8	42.0	4.9	125.5	1.5	37	5.6	141	3.5	88
SR-3122/17	2-1/8	54.0	5.6	142	1.7	42.5	6.8	173	4.1	104



## Valve with extend longer tube for ODF connection

Part No.	ODF Connection		H		H1		L		Q	
	Inch	mm	Inch	mm	Inch	mm	Inch	mm	Inch	mm
SR-3142/7	7/8	22.4	3.3	84.5	1.1	28.5	6.7	170	2.4	60
SR-3142/9	1-1/8	28.8	3.3	84.5	1.1	28.5	7.9	201	2.4	60
SR-3142/11	1-3/8	35.0	4.0	101.5	1.3	34	9.1	232	2.8	68
SR-3142/13	1-5/8	42.0	4.9	125.5	1.5	37	10.1	256	3.5	88
SR-3142/17	2-1/8	54.0	5.6	142	1.7	42.5	11.2	285	4.1	104

## FB Liquid Distributor



Part No.	Inlet (mm)	Outlet (mm)	Hole Quantity
FB-16 x 6.35/3	Φ16	Φ6.35	3
FB-16 x 6.35/4	Φ16	Φ6.35	4
FB-16 x 6.35/5	Φ16	Φ6.35	5
FB-16 x 6.35/6	Φ16	Φ6.35	6
FB-16 x 6.35/7	Φ16	Φ6.35	7
FB-16 x 6.35/8	Φ16	Φ6.35	8
FB-16 x 6.35/9	Φ16	Φ6.35	9
FB-16 x 6.35/10	Φ16	Φ6.35	10
FB-16 x 6.35/12	Φ16	Φ6.35	12

\* To be adjusted as per specific requirement.

## Thermostat Expansion Valves (Danfoss Type)



### Flare x Flare Connection without Orifice

Refrigerant	Part No.	Pressure Equalization	Capillary Tube (m)	Connection		Danfoss Code
				Inlet x Outlet		N Series (-40~+10°C)
				inch*inch	mm*mm	without MOP
R22	TX2	int.	1.5	3/8 x 1/2	10 x 12	068Z3206
	TEX2	ext.	1.5	3/8 x 1/2	10 x 12	068Z3209
R407C	TZ2	int.	1.5	3/8 x 1/2	10 x 12	068Z3496
	TEZ2	ext.	1.5	3/8 x 1/2	10 x 12	068Z3501
R134A	TN2	int.	1.5	3/8 x 1/2	10 x 12	068Z3346
	TEN2	ext.	1.5	3/8 x 1/2	10 x 12	068Z3348
R404A/R507	TS2	int.	1.5	3/8 x 1/2	10 x 12	068Z3400
	TES2	ext.	1.5	3/8 x 1/2	10 x 12	068Z3403

### Flare x Soldering Connection without Orifice

Refrigerant	Part No.	Pressure Equalization	Capillary Tube (m)	Connection			Danfoss Code
				Inlet (Flare)	Outlet (ODF)		N Series (-40~+10°C)
				inch/mm	inch	mm	without MOP
R22	TX2	int.	1.5	3/8	1/2		068Z3281
				10		12	068Z3302
	TEX2	ext.	1.5	3/8	1/2		068Z3284
				10		12	068Z3305
R407C	TZ2	int.	1.5	3/8	1/2		068Z3502
				10		12	068Z3446
	TEZ2	ext.	1.5	3/8	1/2		068Z3446
				10		12	068Z3503
R134A	TN2	int.	1.5	3/8	1/2		068Z3383
				10		12	068Z3384
	TEN2	ext.	1.5	3/8	1/2		068Z3385
				10		12	068Z3386
R404A/R507	TS2	int.	1.5	3/8	1/2		068Z3414
				10		12	068Z3435
	TES2	ext.	1.5	3/8	1/2		068Z3415
				10		12	068Z3422

### Orifice: -40~+40°C

Orifice Number	Nominal Capacity (TR)				Nominal Capacity (KW)				Danfoss Code
	R22	R407C	R134A	R404A/R507	R22	R407C	R134A	R404A/R507	
0X	0.15	0.16	0.11	0.11	0.5	0.5	0.4	0.38	068-2002
00	0.3	0.3	0.25	0.21	1	1.1	0.9	0.7	068-2003
01	0.7	0.8	0.5	0.45	2.5	2.7	1.8	1.6	068-2010
02	1	1.1	0.8	0.6	3.5	3.8	2.6	2.1	068-2015
03	1.5	1.6	1.3	1.2	5.2	5.6	4.6	4.2	068-2006
04	2.3	2.5	1.9	1.7	8	8.6	6.7	6	068-2007
05	3	3.2	2.5	2.2	10.5	11.3	8.6	7.7	068-2008
06	4.5	4.9	3	2.6	15.5	16.7	10.5	9.1	068-2009

## 4-Way Reversing Valves

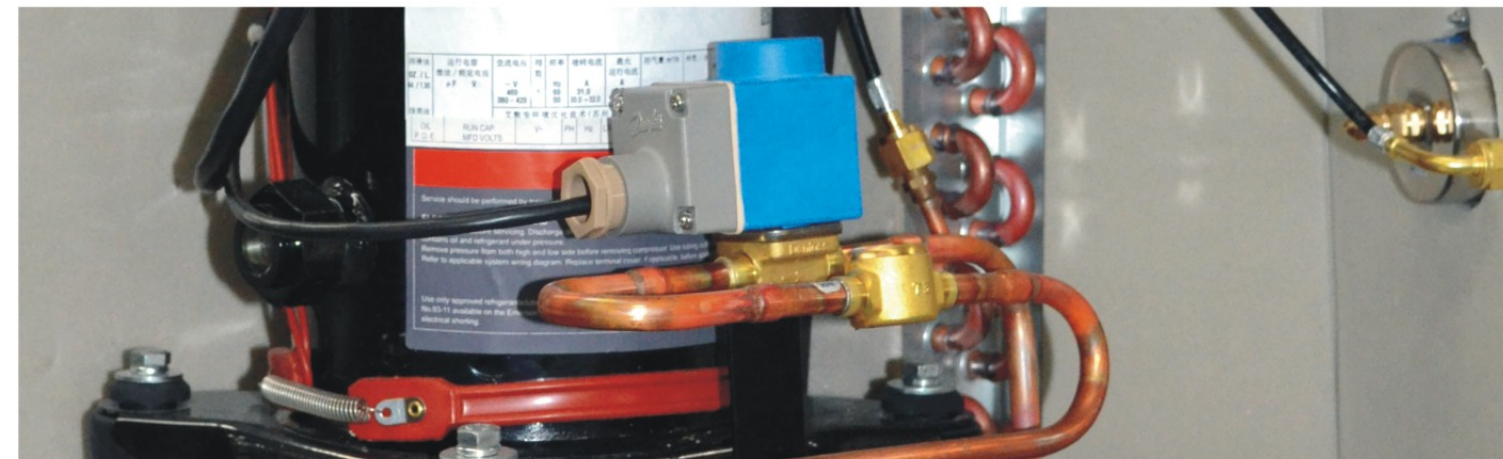


Part No.	Connection (ODF)
DSF-4	Discharge: 5/16", suction: 3/8"
DSF-9	Discharge: 3/8", suction: 1/2"
DSF-11	Discharge: 1/2", suction: 5/8"
DSF-11B	Discharge: 3/8", suction: 5/8"
DSF-20	Discharge: 1/2", suction: 3/4"
DSF-20B	Discharge: 1/2", suction: 7/8"
DSF-34	Discharge: 3/4", suction: 7/8"
DSF-45	Discharge: 1/8", suction: 1-1/8"
SW-01	Coil: 220V, 50Hz/60Hz, 6W/5W

## Solenoid Valves (Danfoss Type)



Model	Coil	Connection		Danfoss Code		
		inch	mm	Flare inch/mm	inch	ODF mm
EVR3	a.c/d.c	1/4	6	032F8107	032F1206	032F1207
		3/8	10	032F8116	032F1204	032F1208
EVR6	a.c/d.c	3/8	10	032F8072	032F1212	032F1213
		1/2	12	032F8079	032F1209	032F1236
EVR10	a.c/d.c	1/2	12	032F8095	032F1217	032F1218
		5/8	16	032F8098	032F1214	032F1214
EVR15	a.c/d.c	5/8	16	032F8101	032F1228	032F1228
		7/8	22		032F1225	032F1225
EVR20	a.c	7/8	22		032F1240	032F1240
		1-1/8	28		032F1244	032F1245

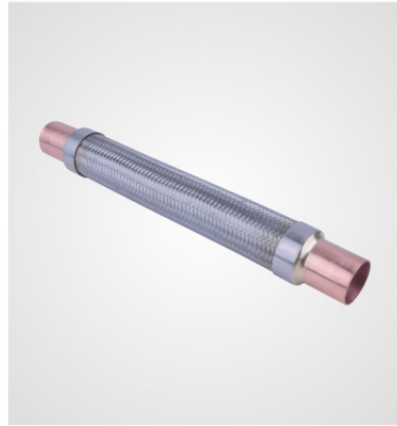


## Solenoid Valves (Coil Power Supply: 220-230V, 50/60Hz)



Part No.	Connection Size	Part No.	Connection Size	Port Size (mm)	M.O.P.D. (Bars)	Kv Factor (m³/hr)
SV1020/2	1/4" Flare	SV1028/2	1/4" Copper Solder	2.5	21	0.175
SV1020/3	3/8" Flare	SV1028/3	3/8" Copper Solder	3.0	18	0.230
SV1064/3	3/8" Flare	SV1068/3	3/8" Copper Solder	7.0	21	0.800
SV1064/4	1/2" Flare	SV1068/4	1/2" Copper Solder	7.0	21	0.800
SV1070/4	1/2" Flare	SV1078/4	1/2" Copper Solder	12.5	21	2.200
SV1070/5	5/8" Flare	SV1078/5	5/8" Copper Solder	12.5	21	2.600
SV1070/6	3/4" Flare	SV1078/6	3/4" Copper Solder	17.0	21	4.300
SV1090/6	3/4" Flare	SV1098/6	3/4" Copper Solder	16.5	21	5.700
SV1090/7	7/8" Flare	SV1098/7	7/8" Copper Solder	16.5	21	5.700

## Vibration Eliminator



Part No.	I.D. (inch)	Length (inch)	Max Working Pressure(psig)	Burst Pressure(psig)
DH-1	3/8	8-9/16	500	2500
DH-2	1/2	9	500	2500
DH-3	5/8	9-7/8	500	2500
DH-4	3/4	10-9/16	500	2500
DH-5	7/8	12	500	2500
DH-6	1-1/8	13-9/16	500	2500
DH-7	1-3/8	15-9/16	500	2500
DH-8	1-5/8	16-7/8	500	2500
DH-9	2-1/8	20-5/8	390	1950
DH-10	2-5/8	24-5/16	340	1700
DH-11	3-1/8	26-15/16	300	1500
DH-12	3-5/8	32-3/16	175	525
DH-13	4-1/8	32-15/16	175	525

## Motorized Valve



Part No.	Description	Connect thread(NPT)	Kv(Cv)	Differential shut-off pressure(Mpa)
MV-E01A-12	2-Way, Erie C type	1/2"	2.2(2.5)	0.20
MV-E01B-12	3-Way, Erie C type	1/2"	2.6(3.0)	0.20
MV-E01A-58	2-Way, Erie C type	5/8"	3.0(3.5)	0.18
MV-E01B-58	3-Way, Erie C type	5/8"	3.4(4.0)	0.18
MV-E01A-34	2-Way, Erie C type	3/4"	3.0(3.5)	0.18
MV-E01B-34	3-Way, Erie C type	3/4"	3.4(4.0)	0.18
MV-E01A-1	2-Way, Erie C type	1"	6.9(8.0)	0.15
MV-E01B-1	3-Way, Erie C type	1"	6.5(7.5)	0.15

## Flow Switch



### Nomenclature

HF68 S A 15 1

- Connection size: 1", 3/4", 1/2"
- Current: 5A, 10A, 15A
- Body size A: 64×64×48mm B: 52×52×48mm
- Material S: 304 Stainless Steel Blank: Brass
- Series number

Part No.	Current		Voltage 125-250V	Connection size			Flow capacity 18-2000L/S	Material	
	10A	15A		1"	3/4"	1/2"		SS316	Brass
HF68A-15-1		✓	✓	✓			✓		✓
HF68A-15-3/4		✓	✓		✓		✓		✓
HF68A-15-1/2		✓	✓			✓	✓		✓
HF68B-10-1	✓		✓	✓			✓		✓
HF68B-10-3/4	✓		✓		✓		✓		✓
HF68B-10-1/2	✓		✓			✓	✓		✓
HF68SA-15-1		✓	✓	✓			✓	✓	
HF68SB-10-3/4	✓		✓		✓		✓	✓	
HF68SB-10-1/2	✓		✓			✓	✓	✓	

## Pressure Controller



Rated Current(A)	Rated Voltage(V)	
	A.C. 110	A.C. 220
Non-Inductive Current	24	16
Full Load	24	16
Starting	144	96

Part No.	Low pressure (MPa)	High pressure (MPa)	Differential (MPa)		Reset		Max. work pressure	
	Adjust range	Adjust range	L.P.	H.P.	L.P.	H.P.	L.P.	H.P.
HLP110	0.1~1.0	-	0.1~0.3	-	Auto	-	1.7	-
HLP506	-0.05~0.6	-	0.1~0.4	-	Auto	-	1.7	-
HLP506M	-0.05~0.6	-	≤0.2 fixed	-	Manual	-	1.7	-
HLP520	-	0.4~2.0	-	0.2~0.5	-	Auto	-	3.3
HLP530M	-	0.5~3.0	-	≤0.4 fixed	-	Manual	-	3.3
HLP530D	-	0.5~3.0	-	0.5~1.0	-	Auto	-	3.3
HLP830	-0.05~0.6	0.5~3.0	0.1~0.4	≤0.4 fixed	Auto	Auto	1.7	3.3
HLP830HM	-0.05~0.6	0.5~3.0	0.1~0.4	≤0.4 fixed	Auto	Manual	1.7	3.3
HLP830HLM	-0.05~0.6	0.5~3.0	≤0.4 fixed	≤0.4 fixed	Manual	Manual	1.7	3.3

## Pressure Controller (Danfoss Type)



Pressure	Part No.	Danfoss Code			Low Pressure (LP)		High Pressure (HP)		Reset		Contact system
		1/4in 6mm SAE	1/4in ODF	6mm ODF	Adjust Range (bar)	Differential Pressure(bar)	Adjust Range (bar)	Differential Pressure(bar)	High Pressure (HP)	Low Pressure (LP)	
Low	KP1	060-1101	060-1112	060-1110	-0.2~7.5	0.7-4.0	-	-	Auto	-	SPDT
Low		060-1103	060-1111	060-1109	-0.9~7.0	Fixed 0.7	-	-	Manual	-	
Low		KP2	060-1120	-	060-1123	-0.2~5.0	0.4-1.5	-	-	Auto	
High	KP5	060-1171	060-1179	060-1177	-	-	8~32	1.8-6.0	-	Auto	
High		060-1173	060-1180	060-1178	-	-	8~32	Fixed 3	-	Manual	
Dual	KP15	060-1241	060-1254	-	-0.2~7.5	0.7~4.0	8~32	Fixed 4	Auto	Auto	
Dual		060-1243	-	-	-0.2~7.5	0.7~4.0	8~32	Fixed 4	-	Manual	
Dual		060-1245	-	-	-0.9~7.0	Fixed 0.7	8~32	Fixed 4	Manual	Manual	
Dual		060-1265	060-1299	-	-0.2~7.5	0.7~4.0	8~32	Fixed 4	Auto	Auto	SPDT-Low/high Signal
Dual	060-1264	060-1284	-	-	-	8~32	Fixed 4	Auto	Auto		

## Sight Glass



Part No.	Description
FC-04CF	1/4"×1/4" Flare with two nuts
FC-06CF	3/8"×3/8" Flare with two nuts
FC-08CF	1/2"×1/2" Flare with two nuts
FC-10CF	5/8"×5/8" Flare with two nuts



Part No.	Description
FC-04CS	1/4"×1/4" copper solder type
FC-06CS	3/8"×3/8" copper solder type
FC-08CS	1/2"×1/2" copper solder type
FC-10CS	5/8"×5/8" copper solder type

## Sight Glass (Danfoss Type)



Part No.	Connection	Size		Danfoss Code
		inch*inch	mm*mm	
SGN 6	Flare ext.×ext.	1/4"×1/4"	6×6	014-0161
SGN 10		3/8"×3/8"	10×10	014-0162
SGN 12		1/2"×1/2"	12×12	014-0163
SGN 16		5/8"×5/8"	16×16	014-0165
SGN 19		3/4"×3/4"	19×19	014-0166

Part No.	Connection	Size		Danfoss Code
		inch*inch	mm*mm	
SGN 6	Flare int.×ext.	1/4"×1/4"	6×6	014-0171
SGN 10		3/8"×3/8"	10×10	014-0172
SGN 12		1/2"×1/2"	12×12	014-0173
SGN 16		5/8"×5/8"	16×16	014-0174
SGN 19		3/4"×3/4"	19×19	014-0175

Part No.	Connection	Size		Danfoss Code
		inch*inch	mm*mm	
SGN 6s	Solder ODF×ODF	1/4"×1/4"		014-0181
SGN 10s		3/8"×3/8"		014-0182
SGN 12s		1/2"×1/2"		014-0183
SGN 16s		5/8"×5/8"	16×16	014-0184
SGN 19s		3/4"×3/4"	19×19	014-0185
SGN 22s	7/8"×7/8"	22×22	014-0186	

Part No.	Connection	Size		Danfoss Code
		inch*inch	mm*mm	
SGN 6fs	Solder ODF×SAE	1/4"×1/4"		
SGN 10fs		3/8"×3/8"		
SGN 12fs		1/2"×1/2"		
SGN 16fs		5/8"×5/8"	16×16	
SGN 19fs		3/4"×3/4"	19×19	
SGN 22fs	7/8"×7/8"	22×22		

## Magnetic Check Valve



### Feature

- Magnet valve seat, tectorial diaphragm. Copper connection size 1/4" to 3-1/8".
- Near zero internal leak rate.
- Compatible with all CFC, HCFC and HFC refrigerants and oils.
- Working temperature range: -40°C~+130°C.
- Minimum current resistance, large flow rate.
- Small volume, light weight and can be installed in any position.
- Mesh in the valve body, it's not just a check valve, but also a filter.

Type	Connection	Safety working pressure (KPa)	OD (mm)	Length (mm)	Mesh No.	Liquid Capacity (KW)
CV-4	1/4	5500	22	102	40	6.8
CV-6	3/8	5500	22	102	40	14.2
CV-8	1/2	5200	29	127	40	38.2
CV-10	5/8	5200	29	127	40	42.6
CV-12	3/4	4100	41	178	40	79.7
CV-14	7/8	4100	41	178	40	108.5
CV-18	1-1/8	4100	54	213	40	188.5
CV-22	1-3/8	4000	67	238	40	232.8
CV-26	1-5/8	3000	80	267	40	397.7
CV-34	2-1/8	3200	92	305	40	691.1
CV-42	2-5/8	3000	105	330	40	927.3
CV-50	3-1/8	3000	105	330	40	1262.5

## BC Series Run Capacitors (CBB65)

### Features:

Available Round or Oval  
The widest selection of ratings  
Non-PCB capacitors

Part No.	Capacity (μF) Voltage 370V	Part No.	Capacity (μF) Voltage 440V
BC315/10	15+10	BC315/10	15+10
BC3175/5	17.5+5	BC3175/5	17.5+5
BC320/5	20+5	BC320/5	20+5
BC320/15	20+15	BC320/15	20+15
BC325/5	25+5	BC325/5	25+5
BC325/7.5	25+7.5	BC325/7.5	25+7.5
BC330/5	30+5	BC330/5	30+5
BC330/7.5	30+7.5	BC330/7.5	30+7.5
BC330/10	30+10	BC330/10	30+10
BC335/5	35+5	BC335/5	35+5
BC335/7.5	35+7.5	BC335/7.5	35+7.5
BC335/10	35+10	BC335/10	35+10
BC340/5	40+5	BC340/5	40+5
BC340/7.5	40+7.5	BC340/7.5	40+7.5
BC345/5	45+5	BC345/5	45+5



Part No.	Capacity (μF) Voltage 370V	Part No.	Capacity (μF) Voltage 440V
BC3125	12.5	BC3125	12.5
BC315	15	BC315	15
BC3175	17.5	BC3175	17.5
BC320	20	BC320	20
BC325	25	BC325	25
BC330	30	BC330	30
BC335	35	BC335	35
BC340	40	BC340	40
BC345	45	BC345	45

## CBB61 Series Run Capacitors



### Features:

Capacitor for fan motor  
From 1μF~6μF

## CBB Series Run Capacitors (CBB60)



## MS Series Start Capacitors (CD60)

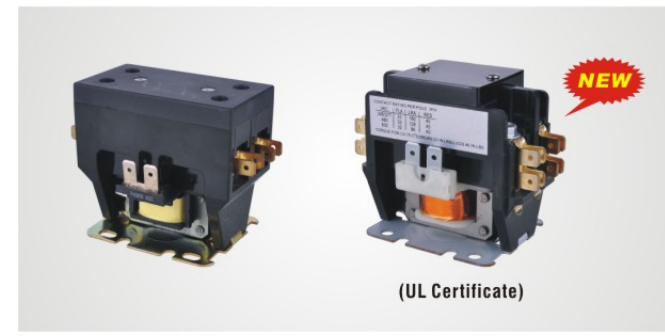
Capacity (μF) Voltage 110V/125V	Features: Round type Bakelite or plastic case	Capacity (μF) Voltage 200V/250V	Capacity (μF) Voltage 330V
88-108			
108-130	108-130	88-108	
124-149	124-149	108-130	
130-156	130-156	124-149	
145-175	145-175	130-156	
161-193	161-193	145-175	
189-227	189-227	161-193	
216-259	216-259	189-227	
233-280	233-280	216-259	
243-292	243-292	233-280	
270-324	270-324	243-292	
324-388	324-388	270-324	
340-408	340-408	324-388	
378-454	378-454	340-408	
400-480	400-480	378-454	
430-516	430-516	400-480	
460-552	460-552	430-516	
540-648	540-648	460-552	
590-708	590-708	540-648	
645-774	645-774	590-708	
708-850	708-850	645-774	
720-864	720-864	708-850	
829-995	829-995	720-864	



Part No.	Capacity (μF) Voltage 250V	Part No.	Capacity (μF) Voltage 450V
CBB205	5	CBB205	5
CBB206	6	CBB206	6
CBB207	7	CBB207	7
CBB208	8	CBB208	8
CBB209	9	CBB209	9
CBB210	10	CBB210	10
CBB211	11	CBB211	11
CBB212	12	CBB212	12
CBB214	14	CBB214	14
CBB216	16	CBB216	16
CBB218	18	CBB218	18
CBB219	19	CBB219	19
CBB220	20	CBB220	20
CBB230	30	CBB230	30



## Two Pole Contactors



Part No.	Coil Voltage 50/60Hz	Number of Poles	Full Load (A)
<b>25 FLA-2 POLE</b>			
QCA-252	24	2	25
QCB-252	120		
QCC-252	208/240		
<b>30 FLA-2 POLE</b>			
QCA-302	24	2	30
QCB-302	120		
QCC-302	208/240		
<b>40 FLA-2 POLE</b>			
QCA-402	24	2	40
QCB-402	120		
QCC-402	208/240		

## Three Pole Contactors



Part No.	Coil Voltage 50/60Hz	Number of Poles	Full Load (A)
<b>30 FLA-3 POLE</b>			
QCA-303	24	3	30
QCB-303	120		
QCC-303	208/240		
<b>40 FLA-3 POLE</b>			
QCA-403	24	3	40
QCB-403	120		
QCC-403	208/240		
<b>50 FLA-3 POLE</b>			
QCA-503	24	3	50
QCB-503	120		
QCC-503	208/240		
<b>60 FLA-3 POLE</b>			
QCA-603	24	3	60
QCB-603	120		
QCC-603	208/240		
<b>75 FLA-3 POLE</b>			
QCA-603	24	3	75
QCB-603	120		
QCC-603	208/240		

## Defrost Timer



Part No.	SB3.82
Defrost Cycle/Day	1-12times Adjustment
Defrost Period	2-60min Adjustment
Added Feature	3.5min+2.5sec Fan Delay
Cont Art. Voltage	16A SPDT: 220V-50Hz



Model	Working Cycle Time		Defrost Time	
	50Hz	60Hz	50Hz	60Hz
TD-20C 200-240V	8hr±10min	6hr40min±10min	7min±2min	5min50s±2min
TD-20L 100-120V	8hr±10min	6hr40min±10min	7min±2min	5min50s±2min
TD-20C SA 200-240V	8hr±10min	6hr40min±10min	14min24s±2min	12min±2min



Model (DBZ)	Working Cycle Time		Defrost Time	
	50Hz	60Hz	50Hz	60Hz
TMDE-625	6hr	5hr	25min	20min49s
TMDE-706	7hr54min	6hr35min	7min	5min50s
TMDE-802	8hr46min	7hr18min	2min24s	2min
TMDE-807	8hr1min	6hr40min	7min3s	5min53s
TMDE-814	8hr1min	6hr40min	14min	11min40s
TMDE-816	8hr1min	6hr40min	16min	13min20s
TMDE-912	9hr40min	8hr03min	12min	10min
TMDEX09U1	12hr06min	10hr05min	10min48s	9min36s
TMDEX09TC1	12hr21min	10hr18min	10min48s	9min36s



Model (DBZA)	Working Cycle Time		Defrost Time	
	50Hz	60Hz	50Hz	60Hz
TMDF-603	7hr12min	6hr	4min	3min19s
TMDF-702	8hr48min	7hr20min	2min24s	2min30s
TMDF-704	8hr48min	7hr20min	4min50s	4min2s
TMDF-706	8hr1min	6hr40min	7min3s	5min53s
TMDF-X04	10hr	8hr19min	4min20s	3min36s
TMDF-Y06	13hr6min	10hr55min	7min12s	6min



Model (DBZ)	Working Cycle Time		Defrost Time	
	50Hz	60Hz	50Hz	60Hz
TMDC-621	6hr	5hr	21min	17min30s
TMDC-625	6hr	5hr	25min	21min
TMDC-621 110V	7hr12min	6hr	28min	21min
TMDC-625 110V	7hr12min	6hr	30min	25min
TMDC-807	8hr	6hr40min	7min	5min50s
TMDC-820	8hr	6hr40min	20min	16min40s
TMDC-824	8hr	6hr40min	24min	20min
TMDC-830	8hr	6hr40min	30min	25min
TMDC-832	8hr	6hr40min	32min	26min40s
TMDC-820/821 110V	9hr36min	8hr	28min	21min
TMDC-825 110V	9hr36min	8hr	30min	25min
TMDC-832 110V	9hr36min	8hr	38min	32min
TMDC-1021	10hr	8hr19min	31min	17min50s
TMDC-1021 110V	12hr	10hr	25min	21min
TMDC-1440	14hr24min	12hr	40min	33min

## Defrost Timer



Model (DBZC)	Working Cycle Time		Defrost Time	
	50Hz	60Hz	50Hz	60Hz
TMDC-621	6hr	5hr	21min	17min30s
TMDC-625	6hr	5hr	25min	21min
TMDC-621 110V	7hr12min	6hr	28min	21min
TMDC-625 110V	7hr12min	6hr	30min	25min
TMDC-807	8hr	6hr40min	7min	5min50s
TMDC-820	8hr	6hr40min	20min	16min40s
TMDC-824	8hr	6hr40min	24min	20min
TMDC-830	8hr	6hr40min	30min	25min
TMDC-832	8hr	6hr40min	32min	26min40s
TMDC-820/821 110V	9hr36min	8hr	28min	21min
TMDC-825 110V	9hr36min	8hr	30min	25min
TMDC-832 110V	9hr36min	8hr	38min	32min
TMDC-1021	10hr	8hr19min	31min	17min50s
TMDC-1021 110V	12hr	10hr	25min	21min
TMDC-1440	14hr24min	12hr	40min	33min



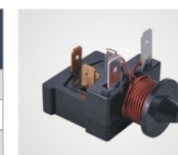
Model (DBZD)	Working Cycle Time		Defrost Time	
	50Hz	60Hz	50Hz	60Hz
TMDJ625ZF1 220V	6hr	5hr	25min	20min
TMDJ621ZN9 110V	7hr12min	6hr	25min	20min
TMDJ625RN9 110V	7hr12min	6hr	30min	25min
TMDJ702AC1 220V	8hr	6hr40min	2min24s	2min
TMDJX35RB9 110V	12hr	10hr	42min	35min
TMDJY26RC1 220V	14hr25min	12hr50min	31min12s	26min
TMDJ-2045	20min	16min40s	45s	38s

## PW (Danfoss) Series Relay Protector

Part No.	Pick-up Current(A)	Drop-out Current(A)	Overload Current(A)
PW4.5A	3	2.5	6.5
PW5.5A	3.7	3	7.8



Part No.	Pick-up Current(A)	Drop-out Current(A)	Horsepower (hp)
PW-S1	4.25	3.35	1/5
PW-S2	4.75	3.75	1/4
PW-S3	5.3	4.25	1/3



## QD Series Thermoprotector

used in refrigerator

Part No.	Horsepower (hp)	Operating Temp.(°C)	Operating Current(A)
QD-18	1/8	110±5	5.6
QD-16	1/6	110±5	6.0
QD-15	1/5	115±5	7.2
QD-14	1/4	115±5	9.0
QD-13	1/3	120±5	11.0
QD-12	1/2	120±5	13.0



## RP Series Push-on Type Relay

Part No.	Pick-up Current(A)	Drop-out Current(A)	Horsepower (hp)
RP18	3.15	2.5	1/8
RP16	3.75	3	1/6
RP15	4.75	3.75	1/5
RP14	5.35	4.25	1/4
RP13	6	5.2	1/3
RP12	8.4	7	1/2



## QD Series Thermoprotector

used in Air-conditioner

Part No.	Horsepower (hp)	Operating Temp.(°C)	Operating Current(A)
QD-1	1	140±5	18
QD-1.5	1.5	145±5	24
QD-2	2	150±5	30
QD-3	3	155±5	40



## PP1100 Series Relay Protector

Part No.	Resistance (Ω)	Voltage (V)	Current (A)
PP1100-1	5	110	4
PP1100-2	22	220	6



## ICG Series Relay

Part No.	Voltage (V)	Horsepower (hp)
ICG-1	115	1/12 thru 1/2
ICG-220	230	1/12 thru 1/3



## MZ Series PTC Starting Relay with One, TWO and Thress Heads

Part No.	Resistance at 25°C(Ω)	Voltage (V)	Recovery Times(S)	Current (A)	Power (W)
MZ-12	12	≥450	≤80	6	6
MZ-15	15	≥600	≤80	7	7
MZ-22	22	≥600	≤80	7	7
MZ-33	33	≥600	≤80	6	6
MZ-47	47	≥600	≤80	8	8
MZ-100	100	≥600	≤80	3	3



## IC Series Solid state Relay



Part No.	Voltage (V)	OTC Resistance (Ω)
IC-1	110	5±20%
IC-2	220	22±20%
IC-3	220	22±20%
IC-4	220	22±20%

## Potential Relays Cross Reference

Part No.	Mars No.	G.E. Groups No.	WR/RBM No.	Techmesh No.
QRP-63	19002	2J, 2K, 2L, 2M, 7J, 7K, 7L, 7M, 7N, 8M, 8N	90-1, 90-17, 90-21, 90-63	82777
QRP-64	19003	3A, 3B, 3AV, 3AU, 4A, 4B, 6A, 6B, 6AB, 10A, 10B, 10AV, 10AV	90-4, 90-8, 90-11, 90-14, 90-22, 90-64	82783
QRP-65	19004	3P, 3R, 3AP, 5P, 5R, 5S, 5T, 22S	90-3, 90-7, 90-40, 90-65	82778
QRP-66	19005	3U, 3V, 3AT, 6U, 6V, 6W	90-13, 90-27, 90-66	-
QRP-67	19006	3C, 3D, 3AA, 4C, 4D, 4BK, 6C, 6D, 6AA, 10C, 10D, 26A, 26B, 26C, 26D	90-5, 90-6, 90-15, 90-19, 90-25, 90-67	82785
QRP-68	19007	3E, 3F, 3AB, 3AC, 4E, 4F, 4G, 6E, 6F, 6G, 10H, 10AB, 10AC, 26E, 26F, 26G, 26H, 27E, 27F, 27G	90-9, 90-12, 90-16, 90-20, 90-23, 90-68	82787
QRP-69	19008	3S, 3T, 10S, 10T, 25S, 25T, 10AS	90-10, 90-18, 90-24, 90-26, 90-41	82779

## 4TM Overload Protector

Power	Voltage (V)
1/8HP	220V/110V
1/6HP	220V/110V
1/5HP	220V/110V
1/4HP	220V/110V
1/3HP	220V/110V
1/2HP	220V/110V



## PTK-2 Overload Protector

Power	Voltage (V)
1/8HP	220V
1/6HP	220V
1/5HP	220V
1/4HP	220V
1/3HP	220V
1/2HP	220V



## Time Delay

QD-068 Delay On Make
18-240 VAC/VDC
1.5Amp
15Amp.inrush
SPST.N.O
Adjustable delays from 0.03 to 10min (1.8 to 600 seconds)



QD-072 Delay on Break
18-240 VAC/VDC
1.5Amp
15Amp.inrush
SPST.N.O
Knob-adjustable delays from 0.03 to 10min (1.8 to 600 seconds)



## ICA Series Relay-overload Combination

Part No.	Voltage (V)	Frequency (Hz)	Horsepower (hp)
ICA-13	120	50/60	1/4, 1/3
ICA-15	120	50/60	1/8, 1/6, 1/5
ICA-23	240	50/60	1/4, 1/3
ICA-25	240	50/60	1/8, 1/6, 1/5



## SPP Starter Pow-R-Pak

Part No.	Voltage (V)	Increased Torque
SPP	115-230	210 Ounce Inches



## Hard Start Kits

Part No.	Voltage (V)	Horsepower (hp)
SPP5(HS600)	115-277	1/2-5
SPP6(HS650)	115-277	1/2-10
HS410	115-277	1/4 and 1/3
HS810	115-277	1/12 thru 1/5
SPP8	120-288	10



## Quartz Glass Tube Heater

Rated Voltage	Frequency	Power	Working Temperature
≤250V	50/60Hz	80~400W	≤180°C

**Features:** Quartz glass tube heaters are mainly used in refrigeration and microwave ovens

**Description:** RBG1: transparent glass tube RBG2: deodorization RBG3: opaque glass tube RBG6: barbecuing tube

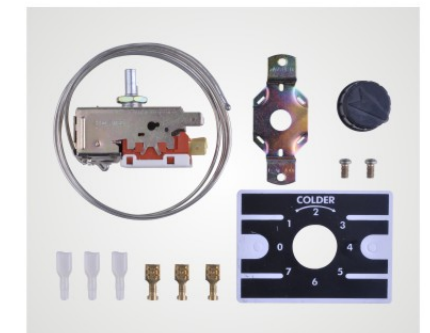
**RBG1-RBG3:** It is small power ones for defrosting in refrigerator. With the power range 100W - 400W, it is made through putting the heating wire into the quartz tube and sealing the ends with rubber;

**RBG6:** The heater is cooking heat source in the microwave oven. The power of single tube is 400W - 600W. Bigger surface load and higher radiating coefficient make the microwave cooking food more quickly



## K Series Thermostat

Part No.	Warm		Cold	
	ON°C	OFF°C	ON°C	OFF°C
K50-P1110=VC1	2	-	-14.5	-23
K59-L1102=VT9	3.5	-12	3.5	-22
K50-P1125	8.5	-	-9.5	-18
K50-P1126	-9.5	-	-18	-24.5
K50-P1127	12.5	-	5	1.5
K50-P1117=VF3	-7	-12	-22	-30
K50-P1118=VB7	13	8	1.8	-3.3
K54-P1102=VS5	-11.5	-16	-20	-26
K60-P1013=VP4	-4	-11	-15	-24



## Thermostat

Part No.	Operating Temperature						Capillary (mm)
	Warm		Normal		Cold		
	ON°C	OFF°C	ON°C	OFF°C	ON°C	OFF°C	
A2000	-	(+35)	-	0±3	-	(-35)	120
F2000	-	(+35)	-	0±3	-	(-35)	1750



## Pressure Controls

Part No.	Application	Setting P.S.I		Setting Tolerance
		Open	Close	
LPS0520	Low Pressure Automatic Reset	5	20	+/-5
LPS1020		10	20	+/-5
LPS2550		25	50	+/-5
HPS200150	High Pressure Automatic Reset	200	150	+/-15
HPS250150		250	150	+/-15
HPS300200		300	200	+/-15
HPS350250		350	250	+/-15
HPS400300		400	300	+/-15

\* To be adjusted as specific requirement.





### ML and SL Series Defrost/Icemaker Thermostat

ML Series Part No.	SL Series Part No.	°DIFF	OPEN°F	CLOSE°F
ML37		10	37	47
ML45	SL45	20	45	25
ML50	SL50	20	50	30
ML55	SL55	20	55	35
ML60	SL60	20	60	40
ML70	SL70	20	70	50
ML80	SL80	50	80	30
ML90	SL90	55	90	35



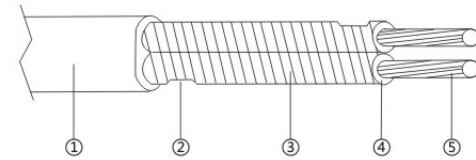
### Constant Power Parallel Heating Cable (AKO-5234)

#### Application:

To heat the floor of building, Cooling house and warehouse. To melt snow and frost on slope, Trough and roof. To prevent frost and to preserve heat of petroleum pipeline and other devices.

#### Product structure picture

- ① Silicone insulating layer
- ② Conductor connecting point
- ③ Resistance wire
- ④ Silicone insulating layer
- ⑤ Copper conductor



Power output	at 230V	40W/m
Max. exposure temp. power on		55°C
Max. exposure temp. power off		70°C
Maximum circuit length		60m
Heating zone length		500m
Tinned copper conductors		2×0.75mm <sup>2</sup>
Heating conductor element		Nickel-chrome
Insulation material		Silicone rubber
Electric strength	Test voltage	1500V~
Loading tolerance		±7%
Outer dimensions	nominal	8×5 ±0.5mm
Minimum bendradius	at -25°C	20mm
Standard reel length		100-150m



### Drainpipe Anti-freezing Heating Cable

#### Structure:

- ◎ Waterproof
- ◎ Double insulation
- ◎ Molded terminations
- ◎ Extremely flexible

Part No.	Cold tail (m)	Heating cable(m)	Total length (m)	Output Power (W)
CSC-1.0	1	1	2	40
CSC-1.5		1.5	2.5	60
CSC-2.0		2	3	80
CSC-3.0		3	4	120
CSC-4.0		4	5	160
CSC-5.0		5	6	200
CSC-6.0		6	7	240
CSC-7.0		7	8	280



### Heating Strip for Crankcase of Compressor



Rated voltage	Heater district/length	Power
110~240V	357/395mm	20W
110~240V	462/500mm	35W
110~240V	537/575mm	55W
110~240V	657/395mm	75W
110~240V	726/800mm	90W
110~240V	912/950mm	90W

Specification and model not shown in the list may be designed and made according to the user's demands.

# SUPER ACCURACY FAST & CONVENIENT



## CT-519FT-L



### 45° Eccentric Cone Type Flaring Tools



Part No.	Description	Capacity
CT-519FT-L	Eccentric cone type flaring tool with cutter kit CT-519FT & CT-532 & CT-207	For 1/4", 5/16", 3/8", 1/2", 5/8", 3/4" O.D. Tubing and 6mm, 8mm, 10mm, 12mm, 16mm, 19mm O.D. Tubing Packed in hand carrying plastic case.

## Tubing Tool Kit



Part No.	Description	Capacity
CT-275L	Flaring & swaging tool kit	1/8", 3/16", 1/4", 5/8", 3/8", 1/2", 5/8" & 3/4" O.D. tubing and 5 swaging adaptors which cover 3/16", 1/4", 5/16", 3/8", 1/2", 5/8" & 3/4" O.D.
CT-278L	CT-275 & CT-274 & CT-122	see above
CT-808FT-L	Eccentric cone type flaring tool and CT-532 & CT-207	3/16", 1/4", 5/16", 3/8", 1/2", 5/8" & 3/4" O.D. tubing and 5mm, 6mm, 8mm, 10mm, 12mm, 16mm & 19mm O.D. tubing
CT-400A-L	Hydraulic expander & flaring tools	3/16", 1/4", 5/16", 3/8", 1/2", 5/8", 3/4" & 7/8" O.D. tubing



Part No.	Description	Capacity
CT-100A	Tubing tool kit	Expander heads: 3/8", 1/2", 5/8", 3/4", 7/8", 1", 1-1/8", FC-312 & FC-208
CT-100M	Tubing tool kit	Expander heads: 10, 12, 16, 19, 22, 25, 28mm, FC-312 & FC-208
CT-300A	Tubing tool kit	Expander heads: 3/8", 1/2", 5/8", 3/4", 7/8", 1", 1-1/8", FC-312 & FC-208
CT-300M	Tubing tool kit	Expander heads: 10mm, 12mm, 16mm, 19mm, 22mm, 25mm, 28mm, FC-312 & FC-208
CT-999	Bender kit	Expander heads: 1/4", 5/16", 3/8", 1/2", 5/8", 3/4" & 7/8" O.D.
CT-999H	Hydraulic bender kit	Expander heads: 1/4", 5/16", 3/8", 1/2", 5/8", 3/4" & 7/8" O.D.

## Flaring & Swaging Tools



Part No.	Description	Capacity
CT-193	Set of swaging punches	1/4", 5/16", 3/8", 1/2" & 5/8"
CT-94	3-in-1 swaging punch	1/2", 5/8" & 7/8"
CT-95	5-in-1 swaging punch	1/4", 5/16", 3/8", 1/2" & 5/8"
CT-195	Flaring tool	3/16", 1/4", 5/16", 3/8", 7/16", 1/2" & 5/8" O.D. Tubing
CT-525F	Flaring tool	5-16mm or 3/16"-5/8" O.D. Tubing

## Tube Cutter



Part No.	Description	Part No.	Description	Part No.	Description	Part No.	Description	Part No.	Description
CT-127	For 1/8"-5/8" O.D	CT-174	For 3/8"-1-1/8" O.D	CT-274	For 1/8"-1-1/8" O.D	CT-312	For 1/4"-1-5/8" O.D	CT-107	For 1/4"-2" O.D

## Tube Cutter (Roller Type)



Part No.	Description	Part No.	Description	Part No.	Description	Part No.	Description	Part No.	Description
CT-319	For 1/8"-3/4" O.D	CT-428	For 3/16"-1-1/8" O.D	CT-532	For 3/16"-1-1/4" O.D	CT-650	For 1/4"-2" O.D	CT-670	For 1/4"-2-3/4" O.D

## Tube Bender



Part No.	O.D.Tubing	Description	Part No.	O.D.Tubing	Description
CT102-04	1/4"	Spring bender, length 10"	CT364A-06	3/8"	Bend radius 15/16"
CT102-05	5/16"	Spring bender, length 10"	CT364A-08	1/2"	Bend radius 1-1/2"
CT102-06	3/8"	Spring bender, length 10"	CT364A-10	5/8"	Bend radius 2-1/4"
CT102-08	1/2"	Spring bender, length 12"	CT364A-12	3/4"	Bend radius 3"
CT102-10	5/8"	Spring bender, length 14"	CT364A-14	7/8"	Bend radius 3-1/4"
CT102-12	3/4"	Spring bender, length 14"	CT364M-08	12mm	Bend radius 35.8mm
CT-1012A-180	3/8" & 1/2"	2-in-1 180°	CT364M-10	16mm	Bend radius 54.4mm
CT-268-180	1/4" & 5/16"	2-in-1 180°, Bend radius 11/16"	CT364M-12	19mm	Bend radius 75.3mm
CT-N368-180	1/4", 5/16" & 3/8"	3-in-1 180°, Bend radius 15/16"	CT364M-14	22mm	Bend radius 82.1mm

## Other tubing tools



Part No.	Description
PTC-01	Capillary tube cutter for 1mm-3mm O.D.
PTC-02	Cutter for all sizes of capillary tube without collapsing or swaging the tubes
CT-207	Handy deburrer, Blade can be swivelled.
CT-208	Inner-outer reamer, plastic body, 3/16" to 1/2"
CT-351	Fin straightener; 8, 9, 10, 12, 14 & 15 spacing per inch.
CT-352	Steel fin straightener
CB-4100	Inner and outer copper cleaning brush, for 1/2", 3/4" fitting 13mm, 19mm pipe



Part No.	Description
CT-201	7" Pinch-off plier
CT-122	1/4", 3/8", 3/16" & 5/16" square ratchet wrench
GT-123	1/4", 3/16" square & 9/16", 1/2" hex ratchet wrench



Part No.	Description	Capacity
CT-501	32mm Inspect Mirror	Length: 127~500mm
CT-502	50mm Inspect Mirror	Length: 200~410mm
CT-503	Pick up tool	Length: 126~637mm

### Pressure Testing Pumps



**Description:**  
Pressure Testing Pump for testing Water or Oil Pipework Installations. Shrouded pressure gauge.

### Capillary Tube Cleaner



**Description:**  
Cap-Check is a portable, self contained hydraulic power unit with auxiliary equipment especially adapted to cleaning refrigeration capillary tubes. A 0-25 MPa gauge shows pressure build-up if cap tube is restricted and also shows when chaser has passed through the tube. A trigger operated gauge shutoff is provided so the gauge will not be damaged if pressures greater than 25MPa are desired.

### Welding Gas



Part No.	Description
MAPP	CGA600 connection, 16 oz/cylinder



Part No.	Description
Propane	CGA600 connection, 14 oz/cylinder



Part No.	Description
Oxygen	CGA600 connection, 1.4 oz/cylinder

### Welding Kit



**Part No.: HCW-1411**

- Content:** 1 pc of Oxygen Regulator  
1 pc of Fuel gas Regulator  
1 pc of 2L Oxygen Empty Cylinder  
1 pc of Welding Torch  
1 set of 1.5m Twin hose  
2pcs of Welding Nozzle  
1 pc of Sparker  
1 pc of Plastic Case

### Welding Torch



Part No.	Description
T-A	CGA600 connection, for MAPP and propane gas



Part No.	Description
T-B	CGA600 connection, single flame



Part No.	Description
T-2B	CGA600 connection, twin flame



Part No.	Description
T-3B	CGA600 connection, triple flame



Part No.	Description
T-CA	CGA600 connection, with 1.5m~2m hose



Part No.	Description
T-2C	Mapp & oxygen kit



Micro Welding Torch



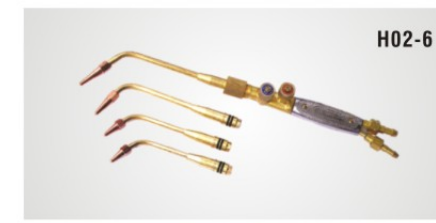
French Type Welding Torch



Japanese Type Welding Torch



French Type Welding Torch



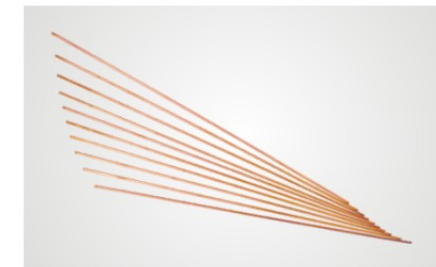
Switzerland Type Welding Torch



CGA600 connection, quick self-lighting

### Welding Rods

- Rod Size:** 1.32×3.2×500mm (flat)  
3×3×500mm (square)  
2×2×500mm (square)  
2.0~3.0×500mm (round)



### Phosphorus-containing Brazing Alloys (Cu-P)

Brazing Alloy	Chemical Composition (%)			Melting Range (°C)		Equivalent Specifications		
	Ag	Cu	P	Solidus	Liquidus	AWS A5.8	DIN8513	BS1845
HP-02	-	Rem	6.8~7.5	710	800	BCuP-2	L-CuP7	CP3

### Super Welding Paste - BCuSnPni-C



Directly replace 50% Ag welding rod-BAg50CuZn, and price is about 70% more cheaper than it;

- Melting Temperature: 630°C;
- High Tensile strength after welding;
- High Resistivity performance;

Paste type with compact package, use with MAPP Gas, easy carry easy work.

## Manifolds

FC-136G



FC-R136G



FC-436G



FC-536G



FC-636G



FC-DM01



Part No.	Description
FC-136G-A	aluminium body, sight glass, 2 gauges, 336RYB-A hose.
FC-136G-B	aluminium body, sight glass, 2 gauges, 336RYB-B hose.
FC-136G-C	aluminium body, sight glass, 2 gauges, 336RYB-C hose.
FC-160G-A	aluminium body, sight glass, 2 gauges, 360RYB-A hose.
FC-160G-B	aluminium body, sight glass, 2 gauges, 360RYB-B hose.
FC-160G-C	aluminium body, sight glass, 2 gauges, 360RYB-C hose.
FC-172G-A	aluminium body, sight glass, 2 gauges, 372RYB-A hose.
FC-172G-B	aluminium body, sight glass, 2 gauges, 372RYB-B hose.
FC-172G-C	aluminium body, sight glass, 2 gauges, 372RYB-C hose.

Part No.	Description
FC-R136G-A	aluminium body, sight glass, 2 gauges with rubber boots, 336RYB-A hose.
FC-R136G-B	aluminium body, sight glass, 2 gauges with rubber boots, 336RYB-B hose.
FC-R136G-C	aluminium body, sight glass, 2 gauges with rubber boots, 336RYB-C hose.
FC-R160G-A	aluminium body, sight glass, 2 gauges with rubber boots, 360RYB-A hose.
FC-R160G-B	aluminium body, sight glass, 2 gauges with rubber boots, 360RYB-B hose.
FC-R160G-C	aluminium body, sight glass, 2 gauges with rubber boots, 360RYB-C hose.
FC-R172G-A	aluminium body, sight glass, 2 gauges with rubber boots, 372RYB-A hose.
FC-R172G-B	aluminium body, sight glass, 2 gauges with rubber boots, 372RYB-B hose.
FC-R172G-C	aluminium body, sight glass, 2 gauges with rubber boots, 372RYB-C hose.

Part No.	Description
FC-436G-A	aluminium body, sight glass, 2 gauges, 336RYB-A hose.
FC-436G-B	aluminium body, sight glass, 2 gauges, 336RYB-B hose.
FC-436G-C	aluminium body, sight glass, 2 gauges, 336RYB-C hose.
FC-460G-A	aluminium body, sight glass, 2 gauges, 360RYB-A hose.
FC-460G-B	aluminium body, sight glass, 2 gauges, 360RYB-B hose.
FC-460G-C	aluminium body, sight glass, 2 gauges, 360RYB-C hose.
FC-472G-A	aluminium body, sight glass, 2 gauges, 372RYB-A hose.
FC-472G-B	aluminium body, sight glass, 2 gauges, 372RYB-B hose.
FC-472G-C	aluminium body, sight glass, 2 gauges, 372RYB-C hose.

Part No.	Description
FC-536G-A	brass body, sight glass, 2 gauges, 336RYB-A hose.
FC-536G-B	brass body, sight glass, 2 gauges, 336RYB-B hose.
FC-536G-C	brass body, sight glass, 2 gauges, 336RYB-C hose.
FC-560G-A	brass body, sight glass, 2 gauges, 360RYB-A hose.
FC-560G-B	brass body, sight glass, 2 gauges, 360RYB-B hose.
FC-560G-C	brass body, sight glass, 2 gauges, 360RYB-C hose.
FC-572G-A	brass body, sight glass, 2 gauges, 372RYB-A hose.
FC-572G-B	brass body, sight glass, 2 gauges, 372RYB-B hose.
FC-572G-C	brass body, sight glass, 2 gauges, 372RYB-C hose.

Part No.	Description
FC-636G-A	brass body, 2 gauges, 336RYB-A hose.
FC-636G-B	brass body, 2 gauges, 336RYB-B hose.
FC-636G-C	brass body, 2 gauges, 336RYB-C hose.
FC-660G-A	brass body, 2 gauges, 360RYB-A hose.
FC-660G-B	brass body, 2 gauges, 360RYB-B hose.
FC-660G-C	brass body, 2 gauges, 360RYB-C hose.
FC-672G-A	brass body, 2 gauges, 372RYB-A hose.
FC-672G-B	brass body, 2 gauges, 372RYB-B hose.
FC-672G-C	brass body, 2 gauges, 372RYB-C hose.

Part No.	Length of hose	Description
DM-01	60" or 72"	2 Valve Digital manifolds + 3 pcs of charge hose. Working pressure, 800PSI, Burst 4000PSI + 1pc of 9V Battery + 2pcs of temperature sensor + 1pc of vacuum sensor + 1pc of suitcase.

### Feature:

- Applied CFCs, HCFCs, HFCs refrigerant.
- Accurate superheat and sub-cooling temperature display.
- High side pressure display range: 0 psig to 725 psig.
- Low side pressure display range: 0 psig to 435 psig.
- Vacuum display range: 29.2 in.Hg to 0 in.Hg
- Temperature display range: -40°F to 203°F (-40°C to 95°C)

## Charging Hose



336RYB



M-336RYB



E-336RYB

Model	Pressure	336RYB-A			Connection
		336RYB-A	600-3000Psi	800-4000Psi	
336RYB	3-36"	336RYB-A	336RYB-B	336RYB-C	1/4" SAE
	3-60"	360RYB-A	360RYB-B	360RYB-C	
	3-72"	372RYB-A	372RYB-B	372RYB-C	
E-336RYB	3-36"	E-336RYB-A	E-336RYB-B	E-336RYB-C	1/4" SAE
	3-60"	E-360RYB-A	E-360RYB-B	E-360RYB-C	
	3-72"	E-372RYB-A	E-372RYB-B	E-372RYB-C	
M-336RYB	3-36"	M-336RYB-A	M-336RYB-B	M-336RYB-C	1/4" SAE
	3-60"	M-360RYB-A	M-360RYB-B	M-360RYB-C	
	3-72"	M-372RYB-A	M-372RYB-B	M-372RYB-C	

\*1/2" ACME or other connection size available upon customers' requirements

## Color-coded Pressure and Compound Gauge



RG-250



RG-500



250-GF



500-GF



250B-GF



500B-GF

Part No.	Description
RG-250	Blue compound 30"-0-250 PSI, class 2.5, connection bottom 1/8"NPT, 2-3/4" dia.
RG-500	Red pressure 0-500PSI, class 2.5, connection bottom 1/8"NPT, 2-3/4" dia.
250GF	Compound filled glycerine 30"-0-250 PSI, class 1.6, connection back 1/4"SAE, 2-3/4" dia, stainless steel frame.
500GF	Pressure filled glycerine 0-500 PSI, class 1.6, connection back 1/4"SAE, 2-3/4" dia, stainless steel frame.
250B-GF	Compound filled glycerine 30"-0-250 PSI, class 1.6, connection bottom 1/8"NPT, 2-3/4" dia, stainless steel frame.
500B-GF	Pressure filled glycerine 0-500 PSI, class 1.6, connection bottom 1/8"NPT, 2-3/4" dia, stainless steel frame.

## Automotive Quick Coupler



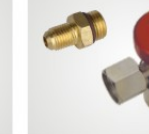
QC-12  
1/4" SAE



QC-15  
1/4" SAE



QC-L  
14mm



QC-H  
14mm



QC-LA  
1/4" SAE



QC-HA  
1/4" SAE

## Automotive Adapter Kit

Part No.	Description
FC-01A(CH-135)	Complete Kit: red hoses, blue hoses & 3pcs 90° adapters
FC-01B(CH-138)	Complete Kit: red hoses, blue hoses & 3pcs 90° adapters & 3pcs connectors



FC-01A(CH-135)



FC-01B(CH-138)

## Hose-seal, Gasket & Core Kit



CH-236



CH-237



CH-238



CH-239

Item	Qty	Description
CH-9520C	10	Valve Cores
CH-9800	10	R134 Valve Cores
CH-L08	5	8mm Low Side
CH-V066	5	For Peugeot/Volvo
CH-H10	5	10mm High Side
CH-GMH	5	For GM High
CH-1213P	1	Valve Core remover

Item	Qty	Description
CH-1213AL	1	Valve Core remover
CH-9520C	10	Valve Core
CH-9800	10	R134 Valve Core
OR9134-4	10	R410 5/16" SAE Hose Gasket
OR501-3	30	R12 1/4" SAE Hose Gasket
OGB79583	10	1/4" SAE Depressor

Item	Qty	Description
ORQCL-3	10	for QC-L
ORQCH-3	10	for QC-H
ORQC-3	10	for QC-12L
ORQC-4	10	for QC-12H
OR340-2	10	for CH-340

Item	Qty	Description
OR146	10	for CH-146 CA-04×06 CA-04×08
ORVCR	10	for VCR-04
OR501-3	15	for R12 1/4" SAE Hose Gasket
OR9134-4	10	for R410 5/16" SAE Hose Gasket
OR501-3H	15	for R134 1/4" SAE Hose Gasket

Item	Qty	Description
CH-1213AL	1	Valve Core remover
CH-9520C	10	Valve Core
OGB79583P1	10	1/4" SAE Depressor
OR9134-4	10	R410 5/16" SAE Hose Gasket
OR501-3	30	R12 1/4" SAE Hose Gasket
OGB79583	10	1/4" SAE Depressor



FC-6044

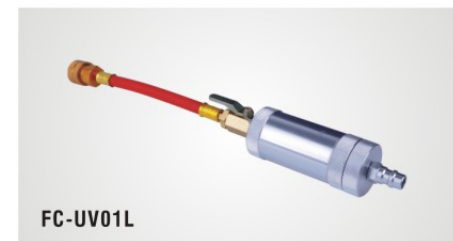


## A/C Flush Kit (FC-6044)

### Description:

The A/C Flush Kit is used to remove contaminants, moisture and acid from the evaporator and condenser. It is designed to work with any A/C flush solvent that can be mixed with pressurized air. Simply add up to 18 oz. of solvent to the reusable canister. With the use of pressurized shop air, reverse flush the evaporator and condenser, removing all the contaminants, moisture and acid during retrofitting or replacement.

## Dye and Oil Injector



FC-UV01L

## Oil Charging Pump



OP-01



OP-02

## Automotive Refrigerant Charging Tools



FC-BL401



FC-PL801G50



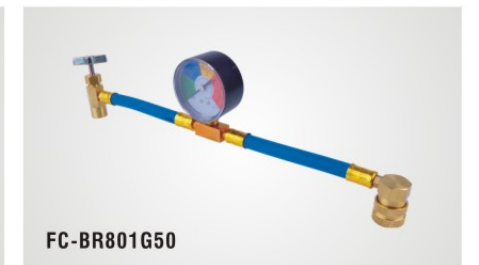
FC-PL802G50



FC-BR401



FC-AL801G70



FC-BR801G50



FC-BR810G70



FC-BR810G70B



FC-2674

## Can Tap Valve



FC-336



FC-337



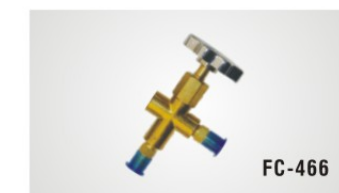
FC-339



FC-340

Part No.	Description
FC-335	Refrigerant can tap valve, 1/4" SAE outlet valve bottom and female thread fitted with 1/4" SAE can thread.
FC-336	Refrigerant can tap valve, 1/4" SAE outlet valve bottom and female thread fitted with 7/16"-27UNF can thread.
FC-337	Refrigerant can tap valve, 1/4" SAE outlet valve bottom and female thread fitted with 7/16"-27UNF can thread.
FC-338	Refrigerant can tap valve, 1/4" SAE outlet valve bottom and female thread fitted with 12mm *1.25 can thread.
FC-339	Refrigerant can tap valve, 10mm flare outlet valve bottom and female thread fitted with 14mm *1.25 can thread.
FC-340	Refrigerant can tap valve for both R12 & R134a.

## Single Gauge Valve



FC-466



FC-466G

Part No.	Description
FC-466	Single three way valve
FC-466G	Charging and testing unit

## Piercing Valve



PV-1



PV-341

Part No.	Tubing Size O.D.
PV-1	1/4", 5/16", 3/8"
PV-341	3/16"~3/8"

## Thermometer



60D1.5

Part No.	Diameter(mm)	Cap.Length(mm)	Measuring Range
60D1.5	60	1500	-40°C - +40°C
80D1.5	80	1500	
100D1.5	100	1500	



TPM-900

Power voltage: 220VAC  
Measuring range: -30°C~+110°C  
Product size: 60\*25.7\*32mm  
Screen size: 64\*31mm



TPM-10

-50°C~+70°C  
Resolution:0.1°C  
Accuracy: ±1°C



WT-1

-50°C~+300°C(-58°F~+572°F)  
Resolution:0.1>200°C is 1  
(>400°F is 1°F)  
Accuracy: (-20°C~+80°C)±1°C



WT-2

-50°C~+300°C (-58°F~+572°F)  
Resolution: 0.1, >200°C:1  
Accuracy: ±1°C (-20°C~+80°C)  
±5°C (other range)



PT1005

-40°C~+80°C  
-40°F~+160°F



ST50

-40°C~+150°C or -40~+270°C,  
2"(50mm) dial, 48" cable  
back-up lithium battery,  
solar powered



RF221

2-1/2", capillary:  
48", -40°C~+60°C/-40°C~+15°C,  
stainless steel frame



DT-2

Measuring range:  
Temperature: -50°C~+70°C  
Humidity: 20%~99%  
Power: DC1.5V



DT-3

Measuring range:  
IN: -30°C~+50°C  
Out: -50°C~+70°C  
Temperature range: 20%~99%  
Power: DC1.5V



BT-2

Indoor temp.:  
-30°C~+50°C (-22°F~+122°F)  
Outdoor temp.:  
-50°C~+70°C (-58°F~+158°F)  
Humidity: 20%~99%

## Mechanical Room Thermostat



T200



T201



T202



T300

Part No.	Dimensions(mm)	Temperature Range	Current(A)	Voltage(v)	Frequency
T200	86 x 86 x 32	10°C~30°C	2	200±10%	50/60Hz
T201	86 x 86 x 32	10°C~30°C	6	200±10%	50/60Hz
T202	83.5 x 83.5 x 38	10°C~30°C	10	200±10%	50/60Hz
T300	70 x 115 x 32	50°F~90°F, 10°C~32°C	-	-	-

## Microcomputer Temperature Controller



STC-200

### Technical parameter

- Power supply: 220VAC±10%  
(12VAC/DC, 24VDC optional)
- Power consumption: <5W
- Temperature measuring and controlling range: -50~+120°C
- Display resolution: 0.1 when ≥100°C
- Accuracy: ±0.5°C from -10 to 85°C;  
±2°C at others



STC-8080H

### Technical parameter

- Power supply: 220VAC±10%/-15% 50/60Hz
- Power consumption: <3W
- Temperature measuring range: -50~+99°C
- Temperature measuring range: -40~+50°C
- Resolution: 1°C
- Accuracy: ±1°C from -50 to 70°C;  
±2°C at others



STC-9200

### Technical parameter

- Power supply: 220VAC 50Hz
- Power consumption: <5W
- Ambient temperature: 0~+60°C
- Relative humidity: 20%~85%  
(No condensate)
- Accuracy: ±1°C



ECS-02CX

### Technical parameter

- Measuring range: -50°C~+99°C
- Temperature Resolution: 1°C
- Measurement Accuracy: -40°C~+50°C, ±1°C;  
others, ±2°C
- Power supply: 220VAC±10% 50Hz/60Hz
- Mounting Size: 71mm\*29mm
- Power: <3W



ETC-60

### Technical parameter

- Power supply: 220vac±10%/-15%, 50/60Hz
- Temperature measuring range:  
NTC: -50°C~+120°C/-58°F~+248°F  
PTC: -50°C~+150°C/-58°F~+302°F
- Resolution: NTC: 0.1°C/1°C/0.1°F/1°F  
PTC 0.5°C/1°C/1°F
- Accuracy: NTC±1°C/±2°F  
PTC±3°C/±5°F
- Relay capacity of defrost and fan:  
10A/220VAC



DHC-100+

### Technical parameter

- Power supply: 220VAC±220VAC+10%/-15%,  
50/60Hz
- Resolution: 1%RH
- Accuracy: ±(5%RH+0.5digit) at 25°C  
±(6%RH+0.5digit) at 0%RH~59%RH  
±(8%RH+0.5digit) at others,  
when +10°C~+40°C
- Relay output contact capacity:  
10A/220VAC



EK3010/3020/3030

### Technical parameter

- Measuring range: -40°C~+99°C
- Controlling range: -40°C~+85°C
- Temperature Resolution: 0.1°C/1°C
- Accuracy: -30°C~+50°C, ±1°C;  
others, ±2°C
- Power supply: 220VAC±10% 50Hz/60Hz
- Mounting Size: 71mm\*29mm
- Power: <5W



ETC-902

### Technical parameter

- Temperature controlling range: -50°C~+99°C
- Product size: 75x34.5x58mm
- Mounting size: 71x29mm
- Measuring range: NTC (-50°C~+120°C)
- Control output: 8A/250VAC for compressor
- Power supply: 220VAC ±10%



ETC-974

### Technical parameter

- Temperature controlling range: -50°C~+99°C
- Product size: 75x34.5x58mm
- Mounting size: 71x29mm
- Measuring range: NTC (-50°C~+120°C)
- Control output: 8A/250VAC for compressor
- Power supply: 220VAC ±10%



## Temperature Recorder



RC-5

### Product overview:

This data logger is mainly used for temperature recording during storage and transportation of foodstuff, medicine, chemicals and other products, especially widely used in all links of warehousing, logistics and cold chain, such as refrigerated containers, refrigerated trucks, refrigerated package, cold storage, laboratory, etc.

### Specification:

- Product size: 80mm (length) x 25mm (width) x 12 mm (height)
- Accuracy:  $\pm 0.5^{\circ}\text{C}$  ( $-20^{\circ}\text{C} \sim +40^{\circ}\text{C}$ ); Others:  $\pm 1^{\circ}\text{C}$ ;
- Resolution:  $0.1^{\circ}\text{C}$ ;
- Record capacity: 32000points(MAX);
- Record interval: 10s ~ 24hour adjustable;
- Sensor: Internal NTC thermal resistor;
- Communication interface: USB interface;
- Power supply: inner wide temperature CR2032 battery or power supply via USB interface;
- Battery life: in normal temperature, if the record interval sets as 15 minutes, it could be used half a year.



RC-4HC

### Product overview:

This data logger is mainly used for temperature and humidity recording during storage and transportation of foodstuff, medicine, chemicals, and other products, especially widely used in all links of warehousing, logistics and cold chain, such as refrigerated containers, refrigerated trucks, refrigerated package, cold storage, laboratory, etc.

### Specification:

- Product size: 84mm(length) x 44mm (width) x 20mm (height)
- Temperature measuring range:  $-30^{\circ}\text{C} \sim +60^{\circ}\text{C}$ ; for optional external sensor,  $-40^{\circ}\text{C} \sim +85^{\circ}\text{C}$ ;
- Temperature accuracy:  $-30^{\circ}\text{C} \sim +60^{\circ}\text{C}$ ,  $\pm 1^{\circ}\text{C}$ ; others:  $\pm 1.5^{\circ}\text{C}$ ;
- Temperature unit:  $^{\circ}\text{C}$  or  $^{\circ}\text{F}$  optional, set through RC-4H data management software.
- Humidity measuring range: 0~99%RH
- Humidity accuracy:  $\pm 3\% \text{RH}$  ( $25\% \text{RH} \sim 90\% \text{RH}$ ), others,  $\pm 5\% \text{RH}$ ;
- Resolution: Temperature  $0.1^{\circ}\text{C}$ ; Humidity  $0.1\% \text{RH}$ ;
- Record capacity: RC-4HA 8000points(MAX); RC-4HC 16000points(MAX);
- Record interval: 10s ~ 24hour adjustable;
- Communication interface: USB interface;
- Power supply: inner CR2450 battery or power supply via USB interface;
- Battery life: in normal temperature, if the record interval set as 15 minutes, it could be used above one year.
- Ambient environmental temperature:  $-30^{\circ}\text{C} \sim +60^{\circ}\text{C}$ ; in the low temperature environment, LCD displays slowly, while it has not an impact on the normal measuring nor recording. Once the temperature recovers, it could display normally.

## Voltage Guard



A/C Guard



AVS 15A



AVS 30A

Part No.	A/C Guard	AVS 15A	AVS 30A	
Nominal Voltage	230V	230V	110V	230V
Watts	-	3600	3300	7200
Frequency	50/60Hz	50/60Hz	50/60Hz	
Load Current	20A	15A	30A	30A
Inrush Current (20ms)	70A	110A	110A	110A
Max. Consumption	100mA	110mA	110mA	110mA
Wait Time	4mins	15s-3mins	10s-10mins plus manual	
Over-Voltage Disconnect	-	265V	230V-300V plus off	
Over-Voltage Reconnect	-	263V	2V Below HVD Setting	
Under-Voltage Disconnect	-	185V	150V-230V	
Under-Voltage Reconnect	-	190V	5V above LVD Setting	
Max. Supply	-	320V	160V	320V
Spike / Surge Protection	160J	160J	80J	160J
Spike / Surge Discharge Amps	6500A (8/20us)	6500A (8/20us)	6500A (8/20us)	
Spike / Surge Response Time	10 ns	10 ns	10 ns	
Response Time (Over Voltage)	20 ms	20 ms	20 ms	
Response Time (Under Voltage)	1 s	1 s	Adjustable 0.5-10 s	
Brown - out Response Time	20 ms	20 ms	20 ms	

## Refrigerant Gas Leak Detector



HLD-101

- Detects all halogenated refrigerants
- Detect once power on, no need manual-adjustment
- Vari-speed sensitivity adjustment
- Enter into the best state of detecting automatically while adjusting the sensitivity.
- Tricolor battery voltage indication
- Equipped with quality sensor, high sensitivity, 6gr/yr
- Inner precise IC with ultra-low consume circuit design, more stable, longer battery time.



HLD-102

- |                       |  |
|-----------------------|--|
| Dimensions            | 17CM*6CM*3.8CM                         |
| Batteries             | 2*1.5V AA'<br>Alkaline Batteries(3VDC) |
| Battery Life          | 40hours                                |
| Sensitivity           | < 3G / year(0.1 oz / yr)               |
| Sensor Lifetime       | Approx. 30hours                        |
| Operation Temperature | +32~+122°F(0~+50°C)                    |
| Warm up time          | < 2 SEC                                |
| Response time         | Instantaneous                          |
| Reset time            | Instantaneous                          |
| Probe Length          | 12"(30cm)                              |



HLD-201

- |                       |  |
|-----------------------|--|
| Dimensions            | 22.9CM*6.5CM*6.5CM                     |
| Batteries             | 2*1.5V AA'<br>Alkaline Batteries(3VDC) |
| Battery Life          | 40hours                                |
| Sensitivity           | < 3G / year(0.1 oz / yr)               |
| Sensor Lifetime       | Approx. 30hours                        |
| Operation Temperature | +32~+122°F(0~+50°C)                    |
| Warm up time          | < 10 SEC                               |
| Response time         | Instantaneous                          |
| Reset time            | Instantaneous                          |
| Probe Length          | 14"(33.5cm)                            |



HLD-202

- |                       |  |
|-----------------------|--|
| Dimensions            | 22.9CM*6.5CM*6.5CM                     |
| Batteries             | 2*1.5V AA'<br>Alkaline Batteries(3VDC) |
| Battery Life          | 40hours                                |
| Sensitivity           | < 3G / year(0.1 oz / yr)               |
| Sensor Lifetime       | Approx. 30hours                        |
| Operation Temperature | +32~+122°F(0~+50°C)                    |
| Warm up time          | < 10 SEC                               |
| Response time         | Instantaneous                          |
| Reset time            | Instantaneous                          |
| Probe Length          | 14"(33.5cm)                            |



LD-100

- |                     |                           |
|---------------------|---------------------------|
| Sensor type         | Semi-conductive sensor    |
| Minimum Sensitivity | 3g/yr                     |
| Warm up time        | < 60S                     |
| Response time       | < 3S                      |
| Detecting gas       | CFCs, HCFCs, HFCs         |
| Display method      | Highlight LED display     |
| Battery             | Three 1.5V AA High-energy |



SLD-300

- |                     |                   |
|---------------------|-------------------|
| Dimension           | 300*65*65mm       |
| Detecting gas       | CFCs, HCFCs, HFCs |
| Minimum Sensitivity | 3g/yr             |
| Warm up time        | < 60S             |
| Response time       | < 10S             |
| Power supply        | 3.7V Li2200mah    |
| Standby time        | > 4h              |

## Clamp Meter



FC-2017



UT-202



FC-266



FC-260D

Part No.	AC Current		AC Voltage		Resistance	
FC-2017	200/600A	$\pm (2.0\% \text{rdg} + 5 \text{dpts})$	200/600A	$\pm (1.5\% \text{rdg} + 5 \text{dpts})$	200 $\Omega$	$\pm (1.5\% \text{rdg} + 5 \text{dpts})$
UT-202	2/20/200/400A	$\pm (2.0\% \text{rdg} + 5 \text{dpts})$	2/20/200/600V	$\pm (1.5\% \text{rdg} + 5 \text{dpts})$	200/2K/20K/2M/20M	$\pm (1.0\% \text{rdg} + 3 \text{dpts})$
FC-266	200/1000A	$\pm (2.0\% \text{rdg} + 5 \text{dpts})$	750V	$\pm (1.0\% \text{rdg} + 4 \text{dpts})$	200/20K $\Omega$	$\pm (1.0\% \text{rdg} + 2 \text{dpts})$
FC-260D	200/1000A	$\pm (2.0\% \text{rdg} + 5 \text{dpts})$	200/750V	$\pm (1.0\% \text{rdg} + 4 \text{dpts})$	200/2K/20K/200K/2M $\Omega$	$\pm (1.0\% \text{rdg} + 3 \text{dpts})$



**UT-361 Temperature/Vane Anemometer**

**Range:** 2-10m/s±(3%+5) 10-30m/s±(3%+8)  
**Operating Temperature:** 0~40°C (32°F~104°F)  
**Function:** Auto power-off, Data hold, wind sleep, Units Switch, Auto Record time setup, Low Battery Display, Display Backlight  
**Sleep mode:** Around 10 minutes



**UT-390B Distance meter**

**Accuracy:** ±2mm  
**Measuring Distance(m):** 0.05~45m  
**Unit:** m/in/ft  
**Laser Class:** 635nm, <1mw, II Class  
**Multiple Lines Display:** 3 lines  
**Auto Power Off:** around 3 minutes



**UT-300A Infrared Thermometers**

**Temperature Range:** -18°C~280°C  
**Repeat Precision:** ±0.5°C  
**Resolution:** 0.1°C  
**Distance to spot size:** 10:1  
**Response Time:** 500mS  
**Emissivity:** 0.95

**Digital Multimeter**



**UT-33D**



**FC-2010**



**FC-838**



**FC-830L**

Part No.	DC Current	AC Voltage	Resistance	DC Voltage
UT-33D	2m/20m/200m/10A	200/500V	200/2000/20k/200k/20M/200M	0.2/2/20/200/500V
FC-2010	2m/20m/200m/10A	200/600V	200/2000/20k/200k/2M/20M	200m/2/20/200/600V
FC-838	2000u/20m/200m/10A	200/750V	200/2000/20k/2000k	200m/2000m/20/200/1000V
FC-830L	2m/20m/200m/10A	200/750V	200/2000/20k/200k/2000k	200m/2/20/200/600V

**Refrigerant Charging Scale**



**RCS-7020**



**RCS-N9030**



**RCS-Wi90**

Item	RCS-7020	RCS-N9030	RCS-Wi90
Capacity	100KGS/220LB	100KGS/220LB	100KGS/220LB
Accuracy	±0.5% of reading ±1 least	±0.5% of reading ±1 least	±0.5% of reading ±1 least
Resolution	0.5 OZ/10G	0.25 OZ/10G	0.25 OZ/10G
Platform size	223mm×223mm	223mm×223mm	223mm×223mm
Power	5×1.5V alkaline battery (7.5VDC)	5×1.5V alkaline battery (7.5VDC)	5×1.5V alkaline battery (7.5VDC)
Battery life	30 hours continuous use	60 hours continuous use	60 hours continuous use

**Vacuum Pumps**

Part No.	Voltage (v/hp)	Capacity (CFM)	Vacuum (Pa/microns)	Motor Power (hp)	Motor Speed (rpm)	Intake Fitting (inch)
VP-0.5A	220V/50Hz	1	30/225	1/6	1440	1/4 SAE*
	110V/60Hz	1.2	30/225	1/6	1720	
VP-1A	220V/50Hz	2	30/225	1/4	1440	1/4 SAE*
	110V/60Hz	2.5	30/225	1/4	1720	
VP-1S(4.0Kgs)	220V/50Hz	2	30/225	1/4	1440	1/4 SAE*
	110V/60Hz	2.5	30/225	1/4	1720	
VP-1.5A	220V/50Hz	3	30/225	1/4	1440	1/4 SAE*
	110V/60Hz	3.5	30/225	1/4	1720	
VP-2A	220V/50Hz	4	30/225	1/3	1440	1/4 SAE*
	110V/60Hz	4.8	30/225	1/3	1720	
VP-3A	220V/50Hz	6	30/225	1/2	1440	1/4 SAE*
	110V/60Hz	7.2	30/225	1/2	1720	
VP-4A	220V/50Hz	8	30/225	3/4	1440	1/4 SAE*
	110V/60Hz	9.6	30/225	3/4	1720	



Part No.	Voltage (v/hp)	Capacity (CFM)	Vacuum (Pa/microns)	Motor Power (hp)	Motor Speed (rpm)	Intake Fitting (inch)
2VP-0.5C	220V/50Hz	1	5/25	1/4	1440	1/4 SAE*
	110V/60Hz	1.2	5/25	1/4	1440	
2VP-1C	220V/50Hz	2	5/25	1/3	1440	1/4 SAE*
	110V/60Hz	2.5	5/25	1/3	1440	
2VP-2C	220V/50Hz	4	5/25	1/2	1440	1/4 SAE*
	110V/60Hz	5	5/25	1/2	1720	
2VP-3C	220V/50Hz	6	5/25	3/4	1440	1/4 SAE*
	110V/60Hz	7.2	5/25	3/4	1720	
2VP-4C	220V/50Hz	8	5/25	3/4	1440	1/4 SAE*
	110V/60Hz	9.6	5/25	3/4	1720	

\* Intake Fitting Can Select: 1/4 SAE, 1/2ACME or 3/8SAE.

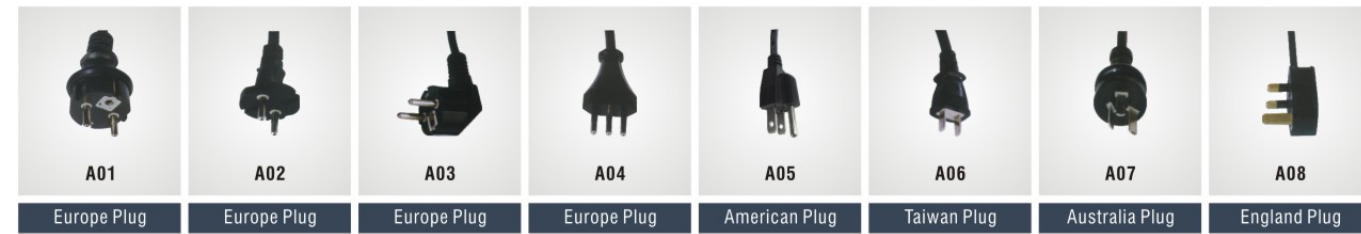
**Super Vacuum Pumps**

Part No.	Voltage (v/hp)	Capacity (CFM)	Vacuum (Pa/microns)	Motor Power (hp)	Motor Speed (rpm)	Intake Fitting (inch)
VP115	220V/50Hz	1.5	10/75	1/3	1440	1/4 SAE*
	220V/60Hz	1.8	10/75	1/3	1720	
VP125	220V/50Hz	2.8	10/75	1/3	1440	1/4 SAE*
	220V/60Hz	3.1	10/75	1/3	1720	
VP130	220V/50Hz	3.0	10/75	2/5	2880	1/4 SAE*
	220V/60Hz	3.6	10/75	2/5	3440	
VP145	220V/50Hz	4.5	10/75	1/2	2880	1/4 SAE*
	220V/60Hz	5.5	10/75	1/2	3440	
VP165	220V/50Hz	6.5	10/75	3/4	2880	1/4 SAE*
	220V/60Hz	7.5	10/75	3/4	3440	
VP185	220V/50Hz	8.0	10/75	3/4	2880	1/4 SAE*
	220V/60Hz	9.5	10/75	3/4	3440	
VP1100	220V/50Hz	10.0	10/75	3/4	2880	1/4 SAE*
	220V/60Hz	12.0	10/75	3/4	3440	



Part No.	Voltage (v/hp)	Capacity (CFM)	Vacuum (Pa/microns)	Motor Power (hp)	Motor Speed (rpm)	Intake Fitting (inch)
VP215	220V/50HZ	1.5	2/10	1/2	1440	1/4 SAE*
	220V/60HZ	1.8	2/10	1/2	1720	
VP230	220V/50HZ	3.0	2/10	3/4	2880	1/4 SAE*
	220V/60HZ	3.6	2/10	3/4	3440	
VP245	220V/50HZ	4.5	2/10	4/5	2880	1/4 SAE*
	220V/60HZ	5.5	2/10	4/5	3440	
VP265	220V/50HZ	6.5	2/10	1	2880	1/4 SAE*
	220V/60HZ	7.5	2/10	1	3440	
VP285	220V/50HZ	8	2/10	1	2880	1/4 SAE*
	220V/60HZ	9.5	2/10	1	3440	
VP2100	220V/70HZ	10	2/10	1	2880	1/4 SAE*
	220V/80HZ	12	2/10	1	3440	

## Power Supply Plugs



## Vacuum Pump Oil

Vacuum pumps can be operated with oil listed below; using different oils affect all specified ultimate vacuum and cold starting.

Part No.	Kinematic Viscosity(40°C), mm <sup>2</sup> /s	Viscosity Index ≥	Flash Point °C ≥	Pour Point °C ≥
46	41.4~50.6	101	230	-10
68	61.2~74.8	101	240	-10
100	90~110	105	250	-10

## Digital Programmable Vacuum Meter



Item No	FC-VG88	
Vacuum Range	0~15000Microns (0~2000Pa)	
Operating Temperature range	-40°C~45°C	
Battery model	5x1.5V battery	
Battery life	300 hours of using	
Vacuum meter units	Pa, mBar, mmHg, Torr, mTorr, Microns	
Vacuum meter indicate	Real-time vacuum pressure test and percentage indicate	
Resolution & Accuracy	ATM~1000Pa: ±10% of reading	ATM~7500Microns: ±10% of reading
	1000Pa~200Pa: ±5% of reading	7500Microns~1500Microns: ±5% of reading
	200Pa~100Pa: ±2.5% of reading	1500Microns~750Microns: ±2.5% of reading
	100Pa~20Pa: ±1.5% of reading	750Microns~150Microns: ±1.5% of reading
	20Pa~0Pa: ±1% of reading	150Microns~0Microns: ±1% of reading



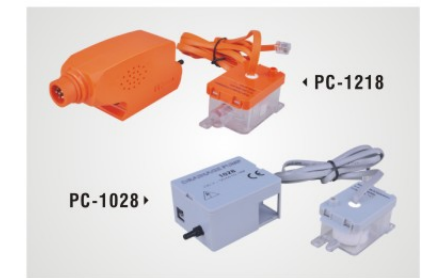
Part No.	PC-320A	PC-125A
Voltage	100~230V, 50/60Hz	230V, 50/60Hz or 115V/60Hz
Suction lift	-	-
Discharge head	Max.6m (20ft)	Max.4m (13ft)
Flow rate	FMax.320L/H (85GPH)	Max.125L/H (33GPH)
Sound level	< 28dB(A)	< 48dB(A)
Tank capacity	1.8L	1.8L
Ambient temperature	0°C~50°C	0°C~50°C
Power consumption	20W	60W
Current intensity	100mA	500mA

## Condensate Water Pump

Part No.	PC-12C	PC-36C
Voltage	100~230V, 50/60Hz	100~230V, 50/60Hz
Discharge head	Max.10m (33ft)	Max.10m (33ft)
Flow rate	Max.12L/H (3.2GPH)	Max.36L/H (9.6GPH)
Sound level	< 16dB(A)	< 18dB(A)
Tank capacity	55ml	55ml
Mini splits up to	10KW (30,000btu/hr)	32KW (96,000btu/hr)
Ambient temperature	0°C~50°C	0°C~50°C
Power consumption	3W	3W
Current intensity	50mA	50mA
Safety switch	3A-250V	3A-250V



Part No.	PC-1218	PC-1028
Voltage	230V, 50/60Hz or 115V/60Hz	230V, 50/60Hz or 115V/60Hz
Discharge head	Max.12m	Max.12m
Flow rate	Max.12L/H (3.2GPH)	Max.12L/H (3.2GPH)
Sound level	< 25dB(A)	< 25dB(A)
Tank capacity	35ml	35ml
Mini splits up to	10KW (30,000BTU/H)	10KW (30,000BTU/H)
Ambient temperature	0°C~50°C	0°C~50°C
Power consumption	< 16W	< 16W



Part No.	PC-12B	PC-36B
Voltage	230V, 50/60Hz or 115V, 60Hz	100~230V, 50/60Hz
Suction lift	Max.2m(6.5ft)	Max.2m(6.5ft)
Discharge head	Max.8m (26ft)	Max.10m (33ft)
Flow rate	Max.12L/H (3.2GPH)	Max.36L/H (9.5GPH)
Sound level	< 25dB(A)	< 18dB(A)
Tank capacity	35ml	35ml
Mini splits up to	10KW(30,000btu/hr)	30KW(90,000btu/hr)
Ambient temperature	0°C~50°C	0°C~50°C
Power consumption	16W	3W
Current intensity	70mA	50mA



Part No.	PC-24B	PC-40B
Voltage	100~230V,50/60Hz	100~230V,50/60Hz
Suction lift	Max.2m(6.5ft)	Max.2m(6.5ft)
Discharge head	Max.10m (33ft)	Max.10m (33ft)
Flow rate	Max.24L/H (6.2GPH)	Max.40L/H (10.5GPH)
Sound level	< 16dB(A)	< 18dB(A)
Tank capacity	55ml	55ml
Mini splits up to	20KW(60,000btu/hr)	32KW(96,000btu/hr)
Ambient temperature	0°C~50°C	0°C~50°C
Power consumption	3W	3W
Current intensity	50mA	50mA



Part No.	PC-30228	PC-50228
Voltage	230V, 50/60Hz	230V, 50/60Hz
Discharge head	Max.3m(9.8ft)	Max.5m(16.4ft)
Flow rate	Max.15L/H (3.2GPH)	Max.50L/H (9.5GPH)
Sound level	< 45dB(A)	< 55dB(A)
Tank capacity	200ml	200ml
Ambient temperature	0°C~50°C	0°C~50°C
Power consumption	55W	58W
Current intensity	50mA	50mA



## Condensate Water Pump



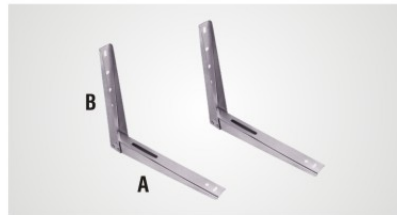
Part No.	PC-24A
Voltage	100~230V, 50/60Hz
Discharge head	Max.10m(33ft)
Flow rate	Max.24L/H (6.2GPH)
Sound level	< 16dB(A)
Tank capacity	200ml
Ambient temperature	0°C~50°C
Power consumption	3W
Current intensity	50mA



Part No.	PC-1018
Voltage	220~240V, 50/60Hz
Discharge head	Max.3m(10ft)
Flow rate	Max.120L/H (32GPH)
Sound level	< 40dB(A)
Tank capacity	1L
Ambient temperature	0°C~50°C
Power consumption	18W
Current intensity	50mA

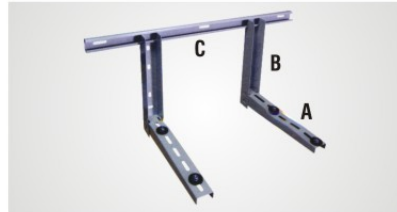
## Bracker for A/C Outdoor Unit

**Remark:** We can manufacture brackets according to customer's special requirement, for example: different material, different size, thickness, color, surface treatment, price can be very competitive.



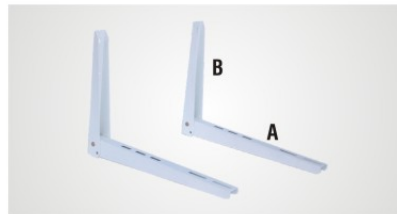
Part No.	A(mm)	B(mm)	Packing	1*20"
B-400	450	350	506*62*68-2.16KG	6000Pcs
B-500	550	450	620*90*70-2.85KG	6000Pcs

\*\*Stainless Steel



Part No.	A(mm)	B(mm)	C(mm)	Packing	1*20"
C-3011	380	400	700	705*75*90-3.3Kg	4000Pcs
C-3012	480	400	700	705*75*90-3.6Kg	4000Pcs
C-3013	620	420	1000	1005*75*90-5.9Kg	3000Pcs

\*\*Steel



Part No.	A(mm)	B(mm)	Packing	1*20"
D-3011	450	400	480*80*55-2.78Kg	5500Pcs
D-3012	500	400	530*80*55-2.9Kg	5500Pcs
D-3013	550	400	580*80*55-3.4Kg	5000Pcs
D-3014	650	460	680*80*55-3.46Kg	5000Pcs

\*\*Steel

## Rubber Anti Vibration A/C Brackets



Part No.	Size(mm)	Material	N.W. (kg)	G.W. (kg)
AVB-250	250×160×95	Rubber, Alum Alloy	2.3	2.6
AVB-450	450×160×95	Rubber, Alum Alloy	4.5	4.8
AVB-600	600×160×95	Rubber, Alum Alloy	6.2	6.5
AVB-1000	1000×160×95	Rubber, Alum Alloy	10	10.3

**Accessory include:**

- 2 pcs fixed screw rod.
- 2 pcs washer.
- 2 pcs nut.

## Plastic A/C Brackets



Part No.	A(mm)	B(mm)	C(mm)	D(mm)	Application
WTG118-A	390	115	73	82	7000~12000BTU
WTG118-B	490	115	73	82	12000~24000BTU
WTG118C	450	115	73	82	12000~24000BTU



Part No.	A(mm)	B(mm)	C(mm)	D(mm)	Application
WTG111-A	350	89	80	68	7000~12000BTU
WTG111-B	450	89	80	68	12000~24000BTU

## Rubber Anti Vibration Mountings

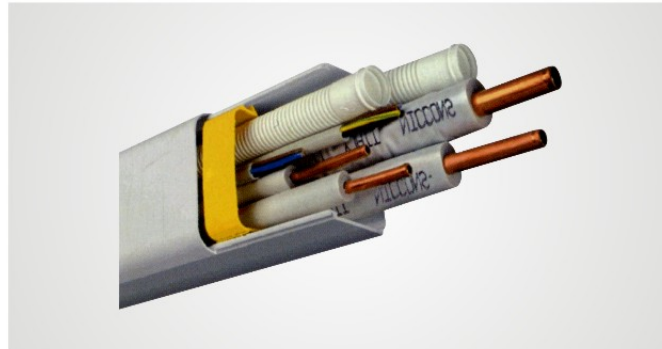


## Insulation Tube

I.D. (inch)	Thickness 3/8" (pcs/ctn)	Thickness 1/2" (pcs/ctn)	Thickness 3/4" (pcs/ctn)	Thickness 1" (pcs/ctn)
1/4	168	120	48	-
3/8	120	100	36	30
1/2	100	80	30	28
5/8	90	63	30	24
3/4	72	56	26	20
7/8	65	42	24	20
1	49	36	20	18
1-1/8	49	36	20	18
1-1/4	42	30	20	16
1-3/8	36	30	18	15
1-5/8	30	25	16	12
1-7/8	28	20	12	10
2	24	20	12	9
2-1/8	20	18	12	9
2-3/8	20	18	9	8
2-5/8	18	13	8	8
2-7/8	18	13	8	8
3	18	12	8	8
3-1/8	15	12	6	6
3-1/2	15	12	6	6



## Pipeline Conduit System



### Ducting

Air conditioning duct made of white rigid PVC  
Stabilized against UV rays, shock proof & Fire proof  
Comes in standard 2 metre lengths  
Italian Style & quality, home owners like the look  
Fast & Simple to Install

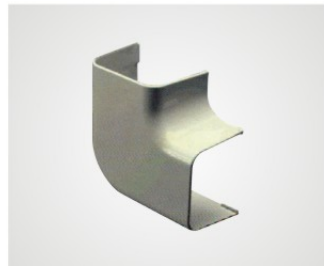
Part No.	Dimension (w×d)
PC2001	90×65×2mt
PC3001	125×75×2mt



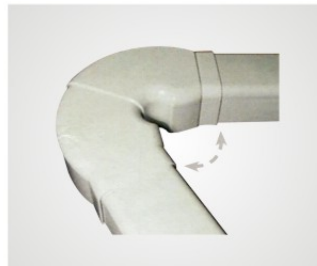
### Flexible Joint

Used in difficult line up installations  
Made out of white rigid PVC and are suitable for duct size 90mm×65mm  
Stabilized against UV rays, shock proof & Fire proof  
Only available in 90mm×65mm dimensions

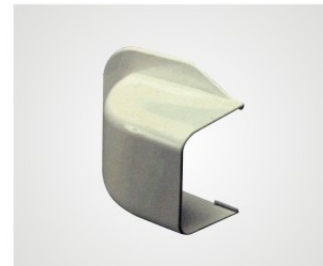
Part No.	Dimension (w×d)
PC2202	90×65×500mm



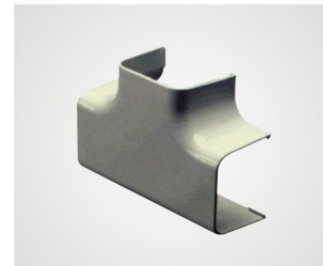
Part No.	Dimension (w×d)
PC2115	90×65
PC3115	125×75



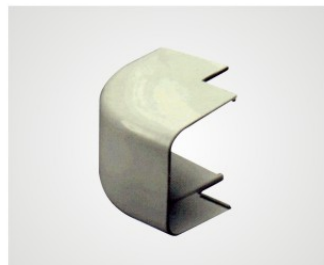
Part No.	Dimension (w×d)
PC2117	90×65



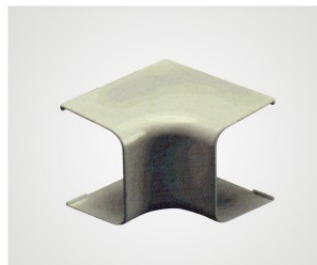
Part No.	Dimension (w×d)
PC2116	90×65
PC3116	125×75



Part No.	Dimension (w×d)
PC2200	90×65
PC3200	125×75



Part No.	Dimension (w×d)
PC2113	90×65
PC3113	125×75



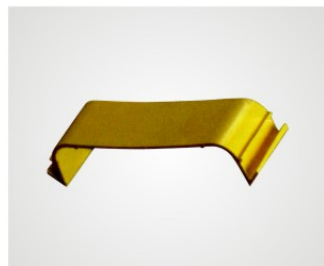
Part No.	Dimension (w×d)
PC2112	90×65
PC3112	125×75



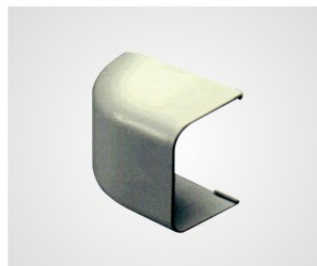
Part No.	Dimension (w×d)
PC2102	90×65
PC3102	125×75



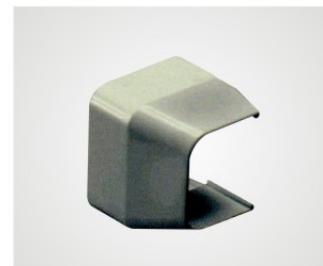
Part No.	Dimension (w×d)
PC2104	Upper Connector-with Seal



Part No.	Dimension (w×d)
PC2101	90×65
PC3101	125×75



Part No.	Dimension (w×d)
PC2114	90×65
PC3114	125×75



Part No.	Dimension (w×d)
PC2201	90×65
PC3201	125×75



Part No.	Dimension (w×d)
Pc2111	90×65
PC3111	125×75

## Universal A/C Control System



QD-U08C

- ◆ Auto-restart function
- ◆ Sleep function
- ◆ 5 working modes, timer on/off
- ◆ Prevent cold breeze in heating mode
- ◆ Accurate & stable auto fan
- ◆ Colorful sensor socket, easy for connecting
- ◆ Updated receiver show intuitional
- ◆ Updated transformer, quick plug, easy for installation
- ◆ Accurate & stable temperature control
- ◆ Defrost automatically
- ◆ 3 fan speed



QD-U02B(SW)

Switch power series  
Same function with QD-U02B common model,  
and with the input voltage:  
AC 100V-240V 50/60Hz



QD80

- ◆ For Inverter A/C Controller
- ◆ Available for most Inverter A/C produced before 2008
- ◆ Imported model, good quality



QD-U12A

- ◆ LCD background light display panel
- ◆ Auxliary heating function
- ◆ Anions fresh air function
- ◆ Power protection
- ◆ Other features same as QD-U10Q



ZL-U02B

- ◆ 5 Working Mode
- ◆ 3 Fan Speed
- ◆ Accurate & Stable Temperature
- ◆ Accurate & Stable Auto Fan
- ◆ Timer In-line/Off-in Sleep
- ◆ Time Defrost
- ◆ Compressor protect timer for its run and stop
- ◆ Prevent cold wind in heating mode



ZL-U02C

Economic model, 2 fan speed other function same as that of ZL-U02B, price is even low. There are some other processes for this model, the result is more easy installation, more safe.



ZL-U10A / ZL-U11A(New)

High quality, full function. It is suitable for both split and cabinet conditioner. In control and display panel, And the manipulation is so simple as that the baby and old man can control the conditioner without any difficulty



ZL-U03A

Compared with U02B, its defrosting function works when the temperature differern of the input and output air less than 16 Celsius. So it is more deecient in heating mode, and suitable for cold area.



B-52

- ◆ Integreated module design
- ◆ Apply to split type, floor standing type & ceiling type air conditioner.
- ◆ 5 working mode: normal, refrigeration, heating, dehumidification & ventilation.
- ◆ LED indicator light display different working mode.

## A/C Remote Controller

Below Multi-Functional Remotes Apply to Various Air-Conditioner including:

MITSUBISHI, SHARP, HITACHI, TOSHIBA, DAIKIN, SANYO, NEC, HAIER, NATIONAL, WHIRLPOOL, AUX, BOERKA, MIDEA, CHANGHONG, GREE, SAMSUNG, CARRIER, CHIGO, CHOFU, CONROWA, CORONA, DOCTOR, AUCMA, HYUNDAI, JDC, JINDA, ALPIN, JOHSON, KELON, KLIMATAIR, KOLIN, KONKA, .....etc.

<b>KT-100AII (100 in 1)</b> 	<b>KT-109E(110 in 1)</b> 	<b>KT-208(208 in 1)</b> 	<b>KT-508</b> 	<b>KT-518</b> 
<b>KT-e01(2000 in 1)</b> 	<b>KT-e02(4000 in 1)</b> 	<b>KT-e05(4000 in 1)</b> 	<b>KT-e08(6000 in 1)</b> 	<b>KT-Dot1(2000 in 1)</b> 
<b>KT-528(1028 in 1)</b> 	<b>KT-N818(1028 in 1)</b> 	<b>KT-N828(2000 in 1)</b> 	<b>KT-N858(2000 in 1)</b> 	<b>KT-B03(2000 in 1)</b> 
<b>KT-1000(1000 in 1)</b> 	<b>KT-9018E(4000 in 1)</b> 	<b>SPEAKER(2000 in 1)</b> 	<b>e-Remote</b>  <b>NEW</b>	

**Description:**  
e-Remote make your life more convenience, you can control your air conditioner and household appliance even when you far away from your home.

**Operating guide:**  
Download free FavorCOOL App from the Apple App store or Google play store by searching for "e remote home", plug the e- remote's power supply into a power outlet, and keep the e-remote in Wi-Fi coverage, then connect your smart phone to Wi-Fi. select a remote operation panel correspond to your air conditioner.

## Aluminum Foil Adhesive Tape

By roll, 27m lengths 20 rolls per carton.

Thickness (mm)	Width (mm)
0.03	45
0.03	50
0.04	45
0.04	50
0.05	45
0.05	50



\*To be adjusted as per specific requirement

## Air Conditioner Drain Pipe

Diameter (mm)	Length (mm)
16	50
20	50



## Insulation Tape with Self-adhesive

By roll, 30ft(9.14m) lengths 30rolls per carton.

Thickness (mm)	Width (mm)
3	25
3	50
5	50



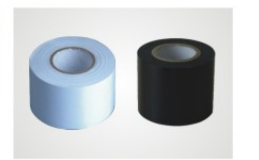
## PVC Electrical Insulation Tape

Part No.	Size
EIT-06	0.13mm×19mm×6yds
EIT-08	0.13mm×19mm×8yds
EIT-10	0.13mm×19mm×10yds
EIT-20	0.13mm×19mm×20yds
EIT-10M	0.13mm×19mm×10m
EIT-20M	0.13mm×19mm×20m



## PVC Air Conditioner Insulation Tape

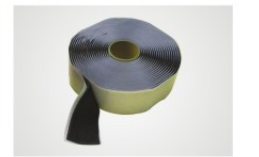
Part No.	Size
PVC1	0.13mm×48mm×15m
PVC2	0.13mm×48mm×18m



## Cork Tape

Black rubber, air conditioner heat preservation tape.

Thickness (mm)	Width (mm)	Length (inch/mm)
3	25	30/9140
3	50	30/9140
5	50	30/9140



Suitable temperature: -20°F to 360°F

Nature: Pull strength 13kg/cm<sup>2</sup>, extension rate 800%, good recovery nature after compress.

## SB Series Cleaner

### SB-910

Evaporator Coil Cleaner A/C Evaporator Coil Cleaner A/C Evaporator Coil Cleaner and Sanitization Recommended for Evaporator Coils, Air Filters and Mechanical Equipment Removes Grease, Oxidation

- Environmentally Safe
- Non-Acid, Non-Toxic
- Non-Caustic, Self-Rinsing
- Contains Metal Fatigue Inhibitors
- Good for all Metal, Copper & Aluminium



### SB-920

Acid Condenser Cleaner & Brightener  
SB-920 is the most powerful penetrating foaming acid coil cleaner on the market. SB-920 effortlessly pushes dirt, bugs, grease, oxides and other contamination off and through the coils and from all inaccessible areas.

- Heavy Duty
- Cleans & Brightens Finned Air Coils
- Good for Copper, Aluminium and Brass



### SB-930

External Condenser Coil Cleaner and Brightener Recommended for evaporator and Condenser Coils, Air Filters and Mechanical Equipment. Removes Grease, Oxidation and Built-up Dirt.

- Biodegradable
- Non-Acid
- Eliminate Dirt, Grease & Oxides
- Contains Metal Fatigue Inhibitors
- Good for all metal, copper & aluminium



## Air Curtain

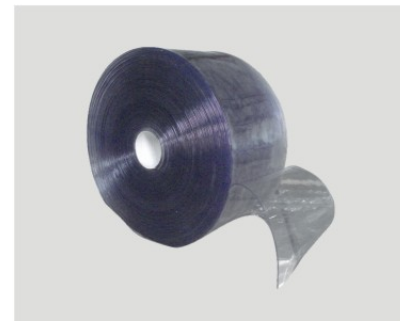


Model	Size (mm)	Volt./Freq.	Motor power (W)		Air volume (m³/h)		Air speed (m/s)	Noise (dB)		N.W (kg)
			Hi	Lo	Hi	Lo		Hi	Lo	
FM-3509	900×230×215	220v/50Hz	230	200	1100	600	13-16	52	49	13
FM-3510	1000×230×215	220v/50Hz	250	220	1200	900	13-16	25	49	13.5
FM-3512	1200×230×215	220v/50Hz	290	260	1500	1200	13-16	53	50	15.5
FM-3515	1500×230×215	220v/50Hz	380	350	1900	1500	13-16	55	53	20
FM-3518	1800×230×215	220v/50Hz	450	420	2280	1800	13-16	57	54	23.5
FM-4009	900×230×215	220v/50Hz	300	270	1400	1000	16-20	57	54	13
FM-4010	1000×230×215	220v/50Hz	320	290	1550	1100	16-20	57	54	13.5
FM-4012	1200×230×215	220v/50Hz	400	370	1900	1500	16-20	58	55	15.5
FM-4015	1500×230×215	220v/50Hz	500	470	2300	1900	16-20	61	58	20



Model	Size (mm)	Volt./Freq.	Motor power (W)		Air volume (m³/h)		Air speed (m/s)	Noise (dB)		N.W (kg)
			Hi	Lo	Hi	Lo		Hi	Lo	
FM-1209T/Y5G	900×190×220	220v/50Hz	160	110	1400	1100	9-11	57	55	10
FM-1210T/Y5G	1000×190×220	220v/50Hz	180	130	1600	1300	9-11	58	56	11
FM-1212T/Y5G	1200×190×220	220v/50Hz	200	150	1900	1600	9-11	58	56	12.5
FM-1215T/Y5G	1500×190×220	220v/50Hz	230	180	2500	2000	9-11	59	57	15.5
FM-1218T/Y5G	1800×190×220	220v/50Hz	300	250	3200	2600	9-11	60	58	18

## Flexible Strip Door



### Description:

Our PVC strip door designed to help save energy and reduce dust and noise. Available as complete strip door with mounting hardware, bulk rolls, or individual replacement strips. Available in different colour (clear), opaque (black only).

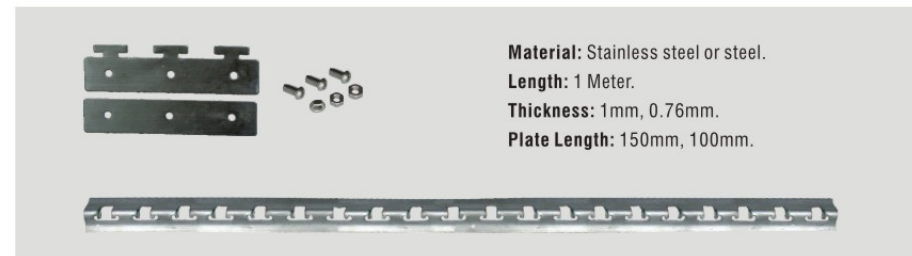
**Width:** 200mm, 300mm, 1200mm (black only).

**Thickness:** 2mm, 2.6mm, 3mm.

**Length:** Standard length is 50m per roll, but we can offer cut to size if required. We can even supply mounting hardware.



## Barcket for PVC Strip Door



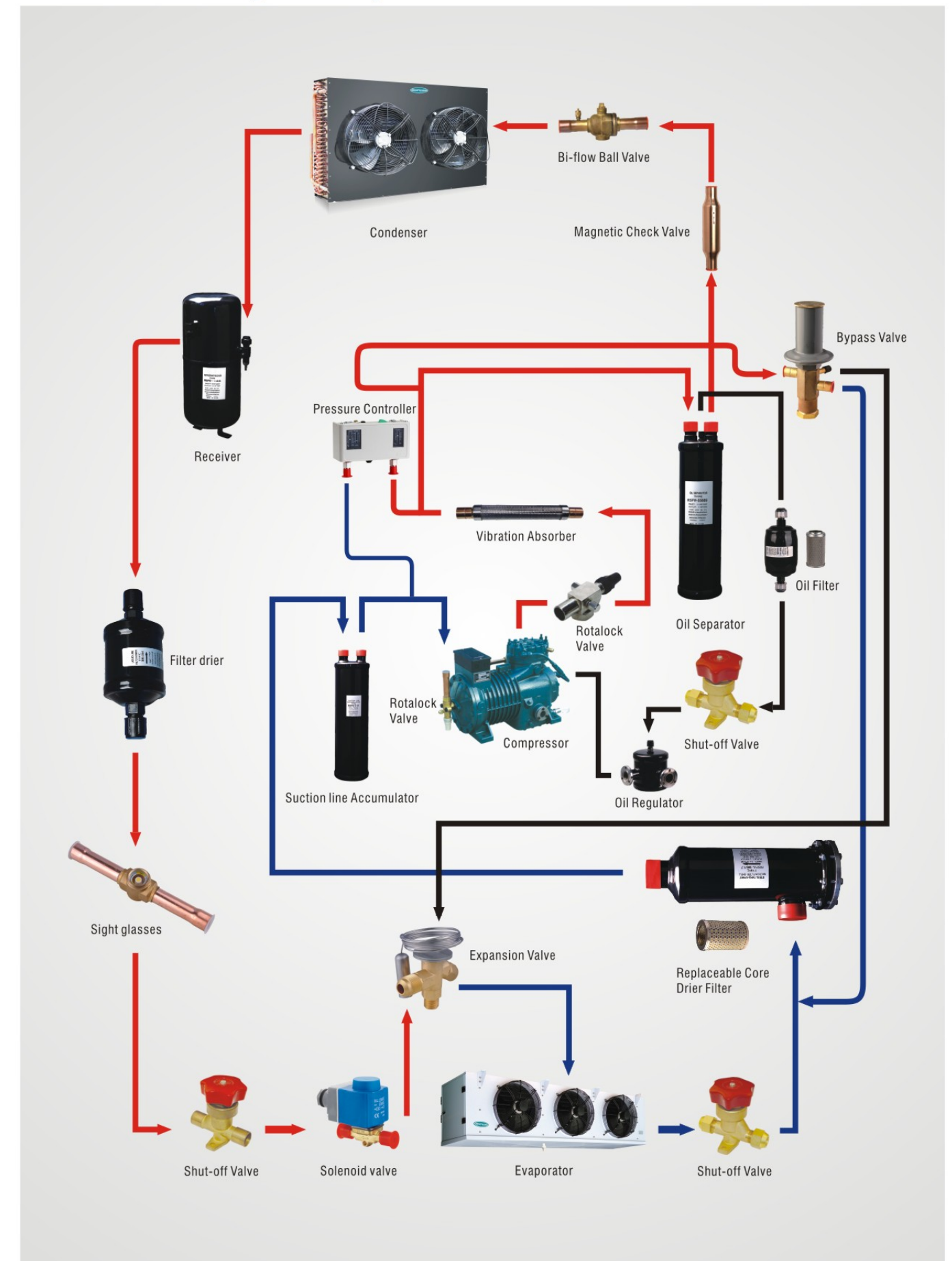
**Material:** Stainless steel or steel.

**Length:** 1 Meter.

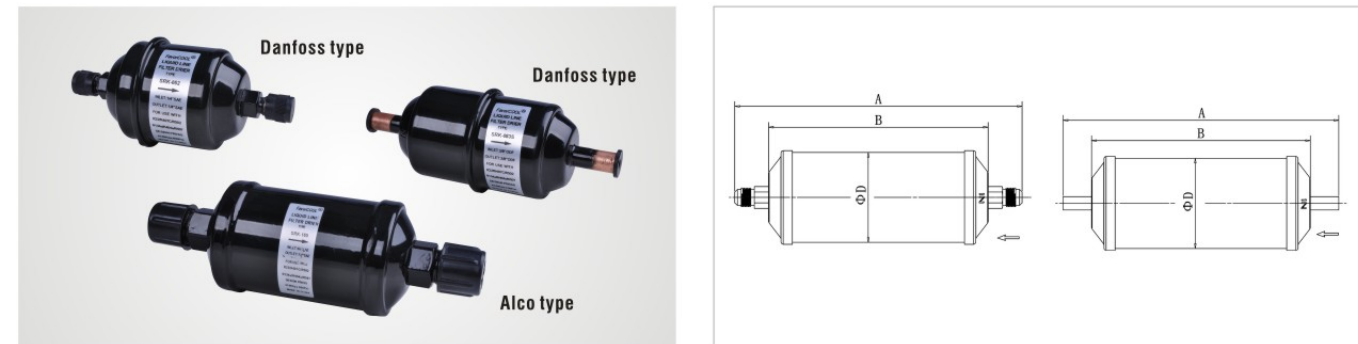
**Thickness:** 1mm, 0.76mm.

**Plate Length:** 150mm, 100mm.

## Schemactic of Refrigeration System



## Liquid Line Filter Drier (Solid Core)



Part No.	Connections		Liquid Flow Capacity (KW)					Dimensions		
	ODF	SAE	R134a	R22/R410A	R407C	R404A/R507	R502	A	B	D
SRK-032	-	1/4	6.7	7.4	7.2	4.9	4.6	113	66	43
SRK-032S	1/4	-	8.1	8.7	8.5	6.0	5.6	110	66	43
SRK-033	-	3/8	9.5	10.2	10.2	7.0	6.7	123	66	43
SRK-033S	3/8	-	10.5	11.6	11.6	7.7	7.4	114	66	43
SRK-052	-	1/4	61.2	49.8	61.8	41.3	40.3	119	72	63.5
SRK-052S	1/4	-	9.7	10.4	10.2	7.9	7.6	116	72	63.5
SRK-053	-	3/8	11.5	12.3	12.1	9.7	9.4	129	72	63.5
SRK-053S	3/8	-	47	52	51	32	31	120	72	63.5
SRK-082	-	1/4	50	55	54	35	34	145	98	63.5
SRK-082S	1/4	-	70.5	76.7	76.7	50.9	49.8	142	98	63.5
SRK-083	-	3/8	12.7	12.5	12.1	10	9.8	155	98	63.5
SRK-083S	3/8	-	14.5	15.9	15	9.7	9.4	146	98	63.5
SRK-084	-	1/2	36	31	42	42	27	163	98	63.5
SRK-084S	1/2	-	50.6	55	54	35.4	34	148	98	63.5
SRK-085S	5/8	-	55.6	60.1	59.1	40.4	39	146	98	63.5
SRK-162	-	1/4	87.6	95	93.2	63.3	61.6	159	112	76
SRK-162S	1/4	-	16.5	17.9	17.6	11.9	11.6	156	112	76
SRK-163	-	3/8	42.8	37	48	48	33	169	112	76
SRK-163S	3/8	-	34.4	37.3	36.6	24.9	24.2	160	112	76
SRK-164	-	1/2	37.6	40.8	40.1	27.4	26.4	177	112	76
SRK-164S	1/2	-	60	60	59	40	39	162	112	76
SRK-165	-	5/8	67	75	74	54	53	185	112	76
SRK-165S	5/8	-	111.6	121.4	121	80.5	78.8	160	112	76
SRK-166	-	3/4	7.3	7.9	7.9	5.3	5.2	191	112	76
SRK-166S	3/4	-	12.8	13.9	13.9	9.2	9.0	166	112	76
SRK-167S	7/8	-	16.2	17.6	17.6	11.7	11.4	172	112	76
SRK-302	-	1/4	23.5	25.5	25.5	16.9	16.6	232	185	76
SRK-303	-	3/8	7.3	7.9	7.9	5.3	5.2	242	185	76
SRK-303S	3/8	-	12.8	13.9	13.9	9.2	9.0	233	185	76
SRK-304	-	1/2	19.2	20.9	20.3	13.9	13.6	250	185	76
SRK-304S	1/2	-	26.1	28.4	27.9	18.9	18.5	235	185	76
SRK-305	-	5/8	32.3	35.3	34.3	23.4	22.9	258	185	76
SRK-305S	5/8	-	36.5	39.5	39.5	26.2	25.7	233	185	76
SRK-306	-	3/4	21.4	23.3	23.0	15.4	15.1	264	185	76
SRK-306S	3/4	-	29.0	31.6	31.6	21.0	20.5	239	185	76
SRK-307S	7/8	-	42.8	46.5	46.5	30.9	30.2	245	185	76
SRK-309S	1-1/8	-	51.3	55.8	55.8	37	36.2	245	185	76
SRK-413	-	3/8	64.2	69.8	69.8	46.3	45.3	249	192	89
SRK-413S	3/8	-	64.2	69.8	69.8	46.3	45.3	240	192	89
SRK-414	-	1/2	49.6	54	54	35.8	35	257	192	89
SRK-414S	1/2	-	54.3	59.1	59.1	39.2	8.4	242	192	89
SRK-415	-	5/8	67.6	73.5	73.5	48.8	47.8	265	192	89
SRK-415S	5/8	-	72.7	79.1	79.1	52.5	51.4	240	192	89
SRK-416	-	3/4	98.4	107	106.2	71.1	69.6	271	192	89
SRK-416S	3/4	-	81.3	88.5	88.5	58.7	57.5	246	192	89
SRK-417S	7/8	-	81.3	88.5	88.5	58.7	57.5	252	192	89
SRK-419S	1-1/8	-	100.5	109.4	109.4	72.5	71	252	192	89

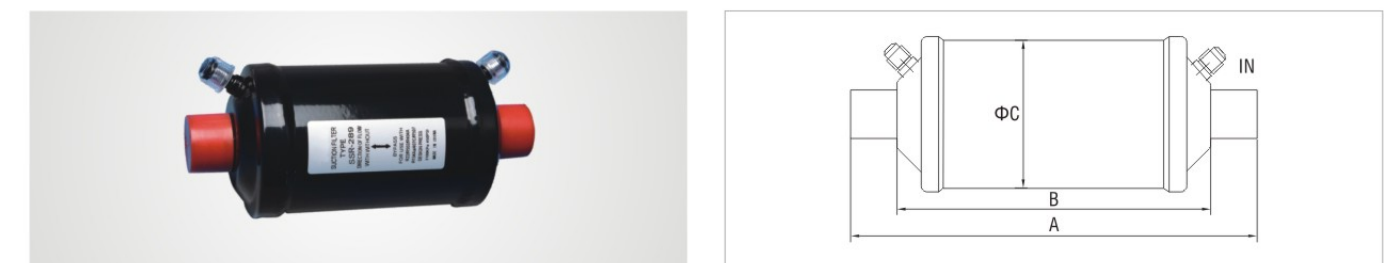
## Liquid Line Filter Drier (Compacted bead)



Part No.	Connections		Dimensions		
	ODF	SAE	A	B	D
SR-052	-	1/4	119	72	63.5
SR-052S	1/4	-	116	72	63.5
SR-053	-	3/8	129	72	63.5
SR-053S	3/8	-	120	72	63.5
SR-054S	1/2	-	122	72	63.5
SR-082	-	1/4	145	98	63.5
SR-082S	1/4	-	142	98	63.5
SR-083	-	3/8	155	98	63.5
SR-083S	3/8	-	146	98	63.5
SR-084	-	1/2	163	98	63.5
SR-084S	1/2	-	148	98	63.5
SR-085S	5/8	-	146	98	63.5
SR-162	-	1/4	168.5	121.5	63.5
SR-162S	1/4	-	165.5	121.5	63.5
SR-163	-	3/8	178.5	121.5	63.5
SR-163S	3/8	-	169.5	121.5	63.5
SR-164	-	1/2	186.5	121.5	63.5
SR-164S	1/2	-	171.5	121.5	63.5
SR-165	-	5/8	194.5	121.5	63.5
SR-165S	5/8	-	169.5	121.5	63.5
SR-166	-	3/4	200.5	121.5	63.5

Type	Connections		Dimensions		
	ODF	SAE	A	B	D
SR-167S	7/8	-	181.5	121.5	63.5
SR-302	-	1/4	232	185	76
SR-303	-	3/8	242	185	76
SR-303S	3/8	-	233	185	76
SR-304	-	1/2	250	185	76
SR-304S	1/2	-	235	185	76
SR-305	-	5/8	258	185	76
SR-305S	5/8	-	233	185	76
SR-306	-	3/4	264	185	76
SR-306S	3/4	-	239	185	76
SR-307S	7/8	-	245	185	76
SR-309S	1-1/8	-	245	185	76
SR-413	-	3/8	249	192	89
SR-414	-	1/2	257	192	89
SR-414S	1/2	-	242	192	89
SR-415	-	5/8	265	192	89
SR-415S	5/8	-	240	192	89
SR-416	-	3/4	271	192	89
SR-416S	3/4	-	246	192	89
SR-417S	7/8	-	252	192	89
SR-419S	1-1/8	-	252	192	89

## Suction Line Filter



### Features:

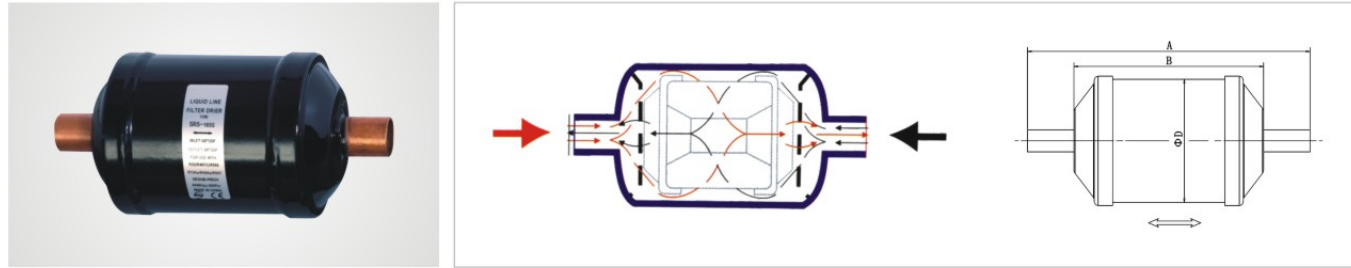
These designs come with two access valves side to provide most effective protection for compressor.

- Filtrate precision: 35mm.
- Appropriate temperature: -45°C~ +65°C.
- Maximum pressure: 3.1Mpa.

Part No.	Connection Size (inch)	A (inch)	B (inch)	ΦC (inch)
SSR-283-T	3/8	5.59	4.40	3.5
SSR-284-T	1/2	5.69	4.43	3.5
SSR-285-T	5/8	6.38	4.92	3.5
SSR-286-T	3/4	7.75	6.18	3.5
SSR-287-T	7/8	7.87	6.22	3.5
SSR-289-T	1-1/8	8.25	6.60	3.5
SSR-2811-T	1-3/8	10.81	8.84	3.5
SSR-2813-T	1-5/8	10.50	8.50	3.5

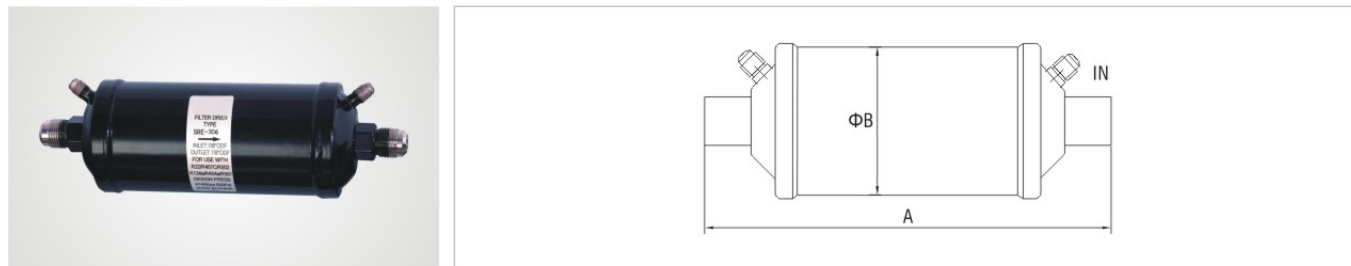


## Bi-flow Filter Drier



Part No.	Connections		Liquid Flow Capacity (KW)			Dimensions		
	ODF	SAE	R22	R410A	R407C	A	B	D
SRS-082		1/4	7.0	7.0	7.0	145	98	63.5
SRS-082S	1/4		7.0	7.0	7.0	142	98	63.5
SRS-083		3/8	15.8	15.8	15.5	155	98	63.5
SRS-083S	3/8		17.9	17.9	17.6	146	98	63.5
SRS-084		1/2	22.5	22.5	22.1	163	98	63.5
SRS-084S	1/2		23.5	23.6	23.2	148	98	63.5
SRS-085S	5/8		7.0	7.0	7.0	146	98	63.5
SRS-162		1/4	7.0	7.0	7.0	159	112	76
SRS-162S	1/4		28.5	28.5	27.8	156	112	76
SRS-163		3/8	16.2	16.2	15.8	169	112	76
SRS-163S	3/8		18.3	18.3	17.9	160	112	76
SRS-164		1/2	27.0	27.0	26.7	177	112	76
SRS-164S	1/2		28.5	28.5	27.8	162	112	76
SRS-165		5/8	29.2	29.2	28.5	185	112	76
SRS-165S	5/8		30.6	30.6	29.9	160	112	76
SRS-166		3/4	42	42	42	191	112	76
SRS-166S	3/4		42	42	42	166	112	76
SRS-167S	7/8		42.2	42.2	39.8	172	112	76
SRS-307S	7/8		58	58	58	252	192	76

## Burn-out Filter Drier



Burn out filter drier is used on the suction pipeline of refrigeration and air-conditioning. The core inside is 48% alumina, 47% molecule and 5% carbon. It can absorb the acid and water in the system very efficiency and also can absorb injurant that burnt by the compressor. It can guarantee the whole refrigeration and air-conditioning system not be broken. The two sides of the pressure gauge can test the pressure difference of filter drier.

Part No.	Connection Size (inch)	A (mm) (±2)	ΦB (mm) (±0.5)	Refrigeration Capacity (KW)		
				R407C	R134a	R404A
SRE-032	1/4	110	46	4	3	3
SRE-082	1/4	130	64	6	3.5	4
SRE-083	3/8	130	64	6	3.5	4.5
SRE-084	1/2	130	64	10	5.5	8
SRE-162	1/4	158	78	10.5	5	7.5
SRE-163	3/8	158	78	13	5.5	8
SRE-164	1/2	158	78	15	6	8.5
SRE-165	5/8	164	78	20	9.5	13
SRE-304	1/2	230	78	17	10	15
SRE-305	5/8	238	78	18	12.5	15
SRE-306	3/4	238	78	22	14	19
SRE-414	1/2	250	90	25	14.5	23
SRE-415	5/8	250	90	26.5	16	24.5
SRE-416	3/4	250	90	29.5	17.5	25

## Demountable Filter Drier Shell

### Features

- Can match with all brands of 48 series cores.
- Has access port that can check the pressure drop & changing
- Whole range Size, Max. connection is 3-1/8".
- Can choose D-48 or H-48 for liquid line.
- Can choose F-48 or X-48 for suction line.



Part No.	Inlet & Outlet Size	Number of cores	Recommended value (kw)				Dimensions (mm)					
			Cooling			Air-conditioning		A	B	C	D	E
			Commercial Refrigeration and low-temperature equipment			System of replace or Assemble on the spot						
			12/134a	22	404A/502&507	12/134a	22					
RSPA-485	5/8	1	26.4	35.2	26.4	26.4	35.2	233	152	78	114	151
RSPA-487	7/8	1	42.2	52.8	35.2	42.2	52.8	238	157	82	114	151
RSPA-489	1-1/8	1	42.2	52.8	35.2	52.8	70.3	240	159	84	114	151
RSPA-4811	1-3/8	1	42.2	52.8	35.2	52.8	70.3	243	162	87	114	151
RSPA-4813	1-5/8	1	47.8	58.2	42.2	56.3	74.6	245	164	88	114	151
RSPA-4817	2-1/8	1	49.3	64.9	47.1	60.2	78.5	251	170	92	114	151
RSPA-4821	2-5/8	1	52.7	67.3	49.7	63.3	80.2	268	170	116	114	151
RSPA-4824	3	1	55.4	70.2	56.9	66.1	83.4	266	168	116	114	151
RSPA-4825	3-1/8	1	58.2	73.4	62.2	69.5	89.7	263	165	116	114	151
RSPA-967	7/8	2	70.3	87.9	52.8	70.3	87.9	383	301	82	114	151
RSPA-969	1-1/8	2	87.9	128	87.9	87.9	123	385	303	84	114	151
RSPA-9611	1-3/8	2	111.5	152	111.1	111.1	155	388	306	87	114	151
RSPA-9613	1-5/8	2	132.1	194	134.5	134.5	190	390	308	88	114	151
RSPA-9617	2-1/8	2	135.1	203	157	156	208	396	314	92	114	151
RSPA-9621	2-5/8	2	157	220	191	173	232	413	315	116	114	151
RSPA-9624	3	2	181	240	210	193	257	411	313	116	114	151
RSPA-9625	3-1/8	2	206	263	231	225	270	408	310	116	114	151
RSPA-1449	1-1/8	3	106	141	106	106	141	521	438	84	114	151
RSPA-14411	1-3/8	3	141	176	123	141	176	524	441	87	114	151
RSPA-14413	1-5/8	3	183	205	134	173	206	526	443	88	114	151
RSPA-14417	2-1/8	3	224	236	156	205	247	532	449	92	114	151
RSPA-14421	2-5/8	3	243	257	182	216	264	550	452	116	114	151
RSPA-14424	3	3	257	269	193	231	286	548	450	116	114	151
RSPA-14425	3-1/8	3	263	279	214	243	291	545	447	116	114	151
RSPA-19211	1-3/8	4	176	246	176	176	246	675	595	87	114	151
RSPA-19213	1-5/8	4	211	281	193	211	287	677	597	88	114	151
RSPA-19217	2-1/8	4	229	299	211	229	299	683	603	92	114	151
RSPA-19221	2-5/8	4	243	243	232	241	325	700	602	116	114	151
RSPA-19224	3	4	257	257	248	267	347	698	600	116	114	151
RSPA-19225	3-1/8	4	263	263	269	283	351	695	594	116	114	151

## Demountable Filter Drier Shell

### Features

- Can match with all brands of 100 series cores.
- Has access port that can check the pressure drop & changing
- Whole range Size, Max. connection is 5-1/4".
- Can choose D-100 or H-100 for liquid line.
- Can choose F-100 or X-100 for suction line.



Part No.	Inlet & Outlet Size	Number of cores	Recommended value (kw)					Dimensions (mm)				
			Cooling			Air-conditioning		A	B	C	D	E
			Commercial Refrigeration and low-temperature equipment			System of replace or Assemble on the spot						
12/134a	22	404A/502&507	12/134a	22								
RSPA-10013	1-5/8	1	67	98	59	63	106	288	180	106	152	200
RSPA-10017	2-1/8	1	74	121	65	69	121	295	187	111	152	200
RSPA-10021	2-5/8	1	82	145	72	75	139	303	195	136	152	200
RSPA-10024	3	1	95	164	84	88	156	301	188	136	152	200
RSPA-10025	3-1/8	1	102	173	91	98	170	300	187	136	152	200
RSPA-20013	1-5/8	2	113	195	103	114	191	453	345	106	152	200
RSPA-20017	2-1/8	2	128	209	112	132	207	460	352	111	152	200
RSPA-20021	2-5/8	2	145	236	138	147	230	468	360	136	152	200
RSPA-20024	3	2	162	251	153	165	243	466	353	136	152	200
RSPA-20025	3-1/8	2	179	266	171	180	264	465	352	136	152	200
RSPA-20028	3-1/2	2	193	282	186	193	280	464	341	136	152	200
RSPA-20029	3-5/8	2	219	308	205	205	301	463	340	136	152	200
RSPA-20034	4-1/4	2	242	329	221	221	323	467	344	136	152	200
RSPA-30013	1-5/8	3	264	352	246	264	352	612	504	106	152	200
RSPA-30017	2-1/8	3	285	367	267	279	374	618	504	111	152	200
RSPA-30021	2-5/8	3	302	385	285	285	391	627	519	136	152	200
RSPA-30024	3	3	315	399	292	296	404	625	512	136	152	200
RSPA-30025	3-1/8	3	329	413	299	307	417	624	511	136	152	200
RSPA-30028	3-1/2	3	336	422	305	317	423	623	500	136	152	200
RSPA-30029	3-5/8	3	343	431	310	324	429	622	499	136	152	200
RSPA-30034	4-1/4	3	369	457	324	335	441	626	503	136	152	200
RSPA-30042	5-1/4	3	391	481	359	362	476	615	467	136	152	200
RSPA-40013	1-5/8	4	351	426	321	352	424	786	678	106	152	200
RSPA-40017	2-1/8	4	387	457	352	387	457	792	684	111	152	200
RSPA-40021	2-5/8	4	401	480	370	401	492	801	693	136	152	200
RSPA-40024	3	4	415	503	388	415	527	799	686	136	152	200
RSPA-40025	3-1/8	4	438	526	409	436	558	798	685	136	152	200
RSPA-40028	3-1/2	4	461	559	433	462	579	797	674	136	152	200
RSPA-40029	3-5/8	4	485	573	457	491	593	796	673	136	152	200
RSPA-40034	4-1/4	4	507	591	482	512	617	800	677	136	152	200
RSPA-40042	5-1/4	4	529	615	504	536	633	789	641	136	152	200

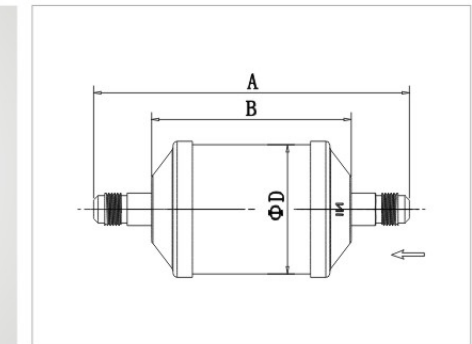
## Replaceable Liquid Line Filter Blocks and Suction Line Filter Core



Part No.	Danfoss Model	Emerson Model	Description
D-48	48DN/DC	D-48	80% Molecular Sieve 20% Activated Aluminium Oxide, High Acid Removal
HR-48	48DU/DM	H-48	100% Molecular Sieve, High water Removal
W-48	48DA	W-48-HH	48% Molecular Sieve, 47% Activated Aluminium Oxide, 5% Activated Carbon, Burnout Cleanup
HR-100	-	H-100	100% Molecular Sieve, High Water Removal
X-48	48F	F-48R	Filter for Suction Line, Reverse Flow
X-100	-	F-100R	Filter for Suction Line, Reverse Flow
SF-48	-	-	Stainless Steel Filter for Suction Line, Could be Used Repeatedly After Cleaning
SF-100	-	-	Stainless Steel Filter for Suction Line, Could be Used Repeatedly After Cleaning
XU-48	-	-	Stainless Steel Filter for Oil System

## Oil Filter

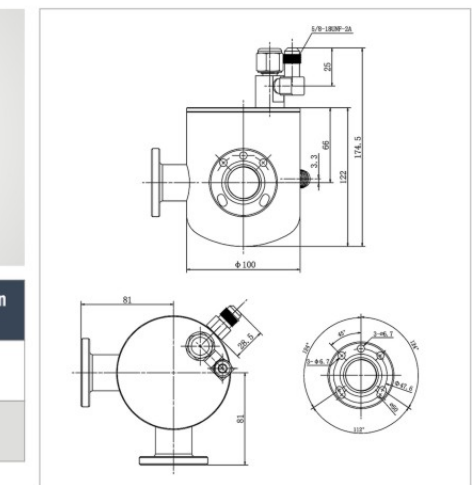
G series oil filter can filtrate 99% of 3 micron grain but still have enough flow rate to maintain the low pressure drop. G series oil filter has a very high capacity of filtration. It can return the cleanliness POE oil and mineral oil back to the compressor. The clean oil not only can make sure the oil regulator working properly but also can reduce the abrasion of the compressor. G series oil filter actually can release changing oil for compressor that caused by suspend feculence during the working.



Part No.	Connection Size		Liquid Refrigeration Volume(kw)				A(mm)	B(mm)	C(mm)
	ODF	SAE	R134a	R22	R404a	R502			
G-083	-	3/8	21.8	23.7	15.7	15.4	155	98	63.5
G-083S	3/8	-	27.4	29.8	19.8	19.3	146	98	63.5
G-084	-	1/2	21.8	23.7	15.7	15.4	163	98	63.5
G-084S	1/2	-	27.4	29.8	19.8	19.3	148	98	63.5
G-085	-	5/8	27.4	29.8	19.8	19.3	146	98	63.5

## Mechanical Oil Level Regulators

SR-OLC-2-5 adjustable oil level regulator allows the oil level in the compressor crankcase to be maintained at any level between 1/4" and 1/2" sight glass. SR-OLC-2-5 maintains the level at any pressure differential between 5 and 90 psi. If the oil level in the crankcase is too high or too low, the level can be adjusted by turning the adjustment screw on top of the regulator. This can be done while the system is in operation. Our exclusive design eliminates the need of shutting down the system and disconnecting the oil feed lines in order to adjust the regulator.



Part No.	Oil Level in Sight Galss	Equalization Connection	Suitable With R717 & HP	Differential Pressure	Max. Working Pressure	Connection Size
SR-OLC-2-5	1/4 to 5/8 Adjustable	Yes	No	0.35-6.2Bar	31Bar	7 Bolts
SR-OLC-2-5E	1/4 to 5/8 Adjustable	Yes	No	0.35-6.2Bar	31Bar	7 Bolts

The part No. with "E" has 3/8" SAE equalization connection.

## Helical Oil Separator

### Feature:

- The helical oil separator features a centrifugal flow path achieving approximately 99% efficiency of oil separation with low pressure drop. Testing by an independent laboratory found that only 0.006% oil by volume was being discharged into the system after leaving a helical oil separator.
- Helical oil separator can help to reduce the vibration and noise that caused by compressor.
- While the parallel compressor system in unloading energy or changing, it still can keep the high oil separation efficiency, because of special design by for the helical flighting.



**NEW**

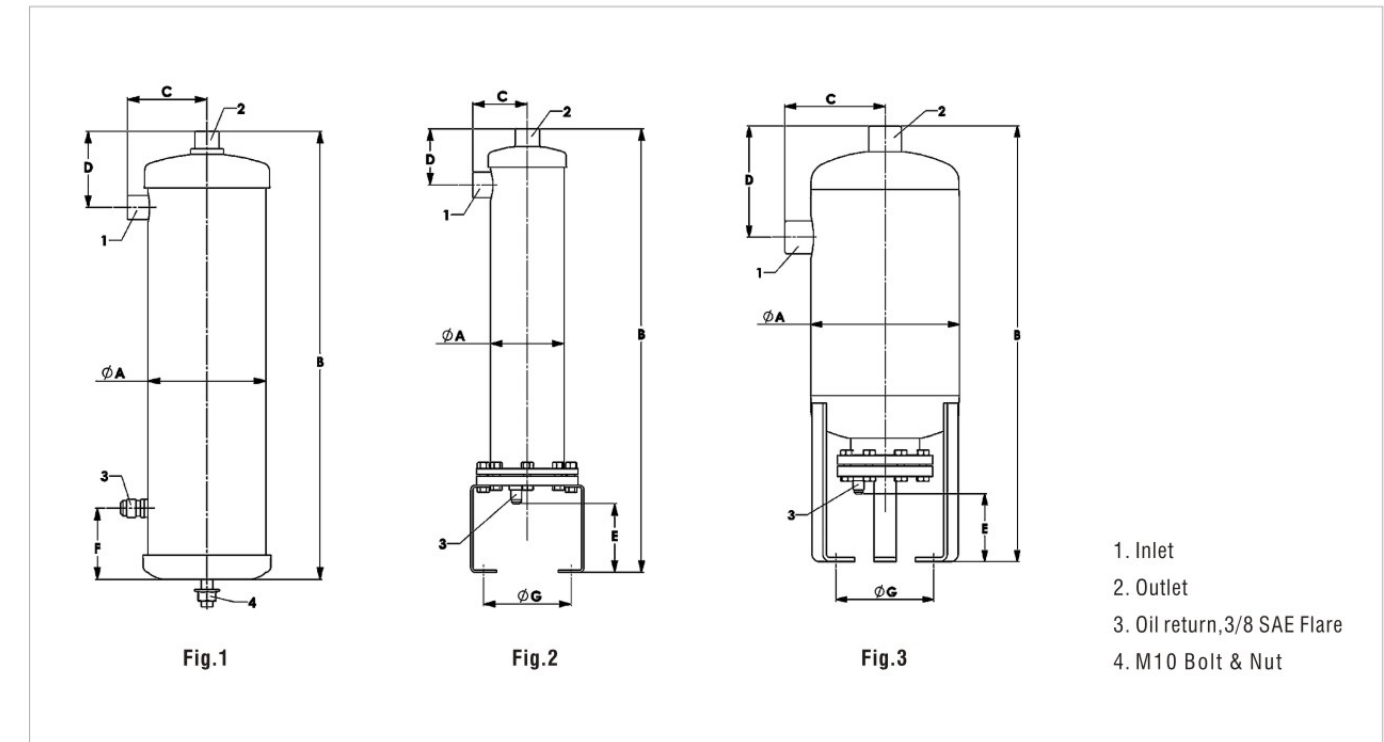
## Installation Application

Oil pre-charge is required before install the oil separator. The charging oil should be kept on above of the oil tank. To pre-charge the oil is very important, this can avoid damaging the needle valve. And the oil we charged must same as the oil in the crankcase. The oil separator should be installed on the outlet line which between the compressor and condenser.

### Notes:

A check valve should be located downstream of the outlet connection. This check valve is to prevent liquid refrigerant migrating from the condenser, and with properly pipe disposed. The oil separator must be installed vertically. Proper piping practice should be adopted to prevent excessive loads or vibration at the inlet and outlet connections.

## Helical Oil Separator

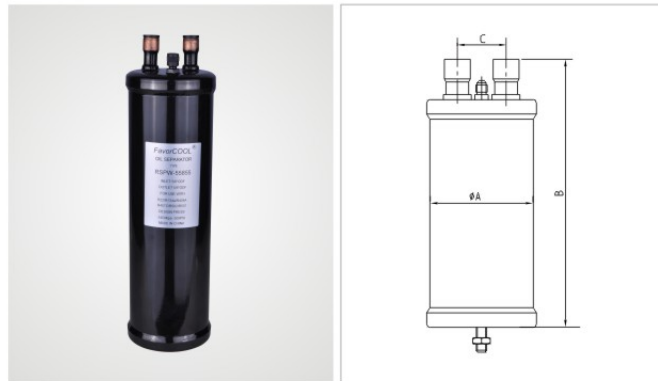


Part No.	Conn Size (Inch)	Dimensions (mm)							Drawing reference	Oil Pre-charge (L)
		ΦA	B	C	D	E	F	ΦG		
RSPW-0404	1/2 ODS	102	333	69	64	N/A	58.5	N/A	fig.1	0.4
RSPW-0405	5/8 ODS	102	384	69	66	N/A	58.5	N/A	fig.1	0.4
RSPW-0407	7/8 ODS	102	434	74	76	N/A	58.5	N/A	fig.1	0.4
RSPW-0409	1-1/8 ODS	102	483	75	78	N/A	58.5	N/A	fig.1	0.4
RSPW-0611	1-3/8 ODS	159	384	108	91	N/A	60.5	N/A	fig.1	1.1
RSPW-0613	1-5/8 ODS	159	428	108	98	N/A	60.5	N/A	fig.1	1.1
RSPW-0617	2-1/8 ODS	159	436	114	105	N/A	60.5	N/A	fig.1	1.1
RSPW-0611F	1-3/8 ODS	159	508	108	91	99	N/A	113	fig.2	0.7
RSPW-0613F	1-5/8 ODS	159	559	108	98	99	N/A	113	fig.2	0.7
RSPW-0617F	2-1/8 ODS	159	559	114	105	99	N/A	113	fig.2	0.7
RSPW-0813F	1-5/8 ODS	219	641	148	164	100	N/A	166	fig.3	0.7
RSPW-0817F	2-1/8 ODS	219	641	148	164	100	N/A	166	fig.3	0.7
RSPW-1021F	2-5/8 ODS	273	750	183	201	100	N/A	223	fig.3	0.7
RSPW-1225F	3-1/8 ODS	325	821	215	229	100	N/A	273	fig.3	0.7

Part No.	Capacity of refrigeration at nominal evaporator temperature (KW)						Maximum discharge volume (m <sup>3</sup> /hr)
	R404A/507		R22		R717		
	-40°C	5°C	-40°C	5°C	-40°C	5°C	
RSPW-0404	5.3	7	5.3	7	N/A	N/A	2.6
RSPW-0405	14.1	19.4	15.8	19.4	N/A	N/A	6.8
RSPW-0407	23	30	24.6	28.2	N/A	N/A	10.2
RSPW-0409	29.8	38.7	31.7	37	N/A	N/A	13.6
RSPW-0611	42.2	52.8	44.8	49.3	59.8(note 1)	63.3(note 1)	18.7
RSPW-0613	52.5	66	56	62	77(note 1)	80(note 1)	23.6
RSPW-0617	84.3	108	87	105	120(note 1)	127(note 1)	37.4
RSPW-0611F	42.2	52.8	44.8	49.3	59.8(note 1)	63.3(note 1)	18.7
RSPW-0613F	52.5	66	56	62	77(note 1)	80(note 1)	23.6
RSPW-0617F	84.3	108	87	105	120(note 1)	127(note 1)	37.4
RSPW-0813F	84.4	109	88	106	120(note 1)	127(note 1)	37.4
RSPW-0817F	109	144	123	137	N/A	N/A	49.3
RSPW-1021F	225	292	250	281	N/A	N/A	102
RSPW-1225F	352	461	394	447	N/A	N/A	159.8

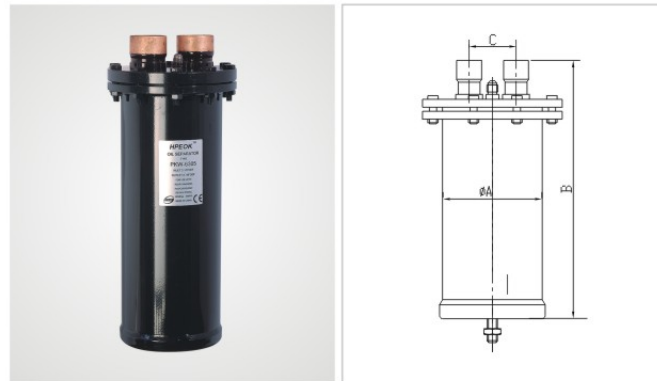
Notes: All data is for a 38°C condensing temperature, 18°C suction temperature and a connection size the same as the compressor discharge valve

## Oil Separators



Part No.	Connection Size (in)	A(mm)	B(mm)	C(mm)
RSPW-55833	3/8	102	279	48
RSPW-55824	1/2	102	279	48
RSPW-55855	5/8	102	378	48
RSPW-55877	7/8	102	460	48
RSPW-55889	1-1/8	102	494	48
RSPW-559011	1-3/8	102	524	48
RSPW-569011	1-3/8	159	394	75
RSPW-569213	1-5/8	159	480	75
RSPW-569417	2-1/8	159	485	75

## Demountable Oil Separators



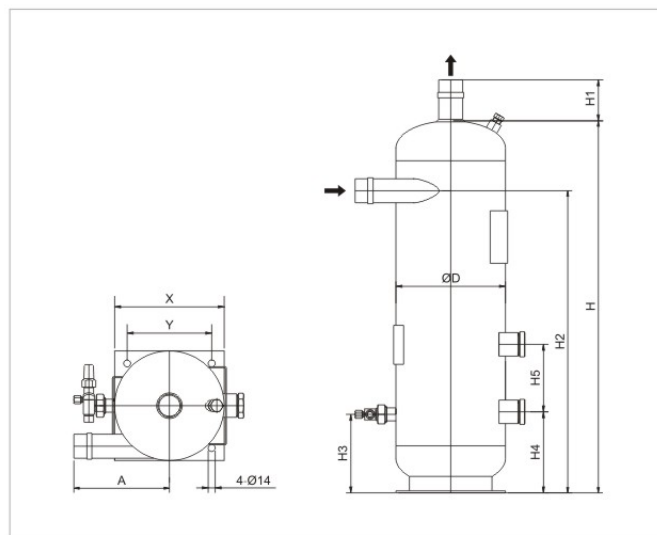
Part No.	Connection Size (in)	A(mm)	B(mm)	C(mm)
RSPW-5301	1/2	102	275	48
RSPW-5302	5/8	102	370	48
RSPW-5303	7/8	102	455	48
RSPW-5304	1-1/8	102	490	48
RSPW-5305	1-3/8	102	520	48
RSPW-5306	1-5/8	102	525	48
RSPW-6303	1-3/8	159	404	75
RSPW-6304	1-5/8	159	490	75
RSPW-6305	2-1/8	159	495	75

## Oil Storage Separators

SRW series oil storage separator is used on parallel screw compressor. It can achieve very good oil separation purpose in the lowest pressure drop. It can storage the separated oil in the bottom of the vessel. And will send the oil to each compressor crankcase by the electronic oil level regulator relied with pressure differential.

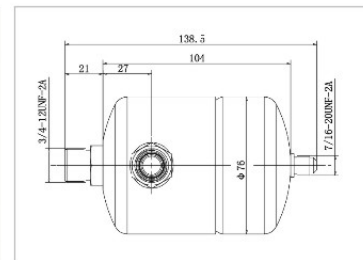
### Features

- With oil receiver inside, do not need to add a separated oil separator.
- It saved a lot of time and material, also reduced the leaking problem.
- It can help to reduce the vibration and noise that caused by compressor.
- It needs to add the electronic oil level regulator to replace the valves.
- Max. working pressure: 3.0MPa.
- Good efficiency oil separation.
- Compatible with all CFC, HCFC and HFC refrigerants and oils.
- Working temperature range: -40°C~120°C.



Part No.	JointSize (Inch)	ΦD (mm)	H (mm)	H1 (mm)	H2 (mm)	H3 (mm)	H4 (mm)	H5 (mm)	A (mm)	X (mm)	Y (mm)	Oil Outlet (SAE)	V1 Oil Volume (L)	V2 Oil Volume (L)	Total Volume (L)
SRW-0813L	1-5/8"	219	744	82	604	157	162	135	191	219	165	3/8"	4.4	9.0	24
SRW-1017L	2-1/8"	273	850	87	691	169	189	150	223	273	227	1/2"	8.1	16.0	42
SRW-1221L	2-5/8"	325	950	95	750	184	204	150	258	325	280	1/2"	12.0	23.0	66
SRW-1425L	3-1/8"	377	1034	110	823	215	234	150	280	377	320	5/8"	18.5	34.0	97
SRW-1629L	3-5/8"	412	1135	100	903	209	229	150	318	412	336	5/8"	22.0	41.0	131

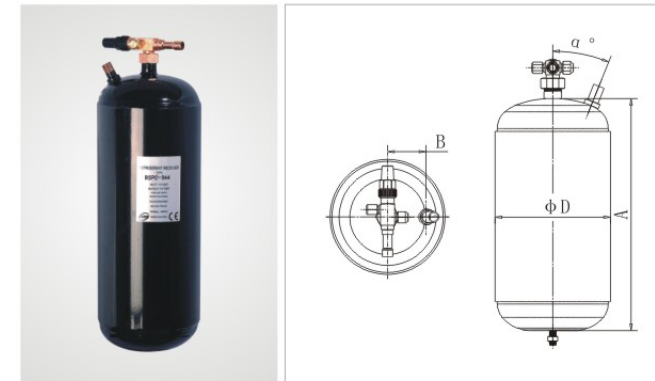
## Automotive Oil Separator



### Introduction:

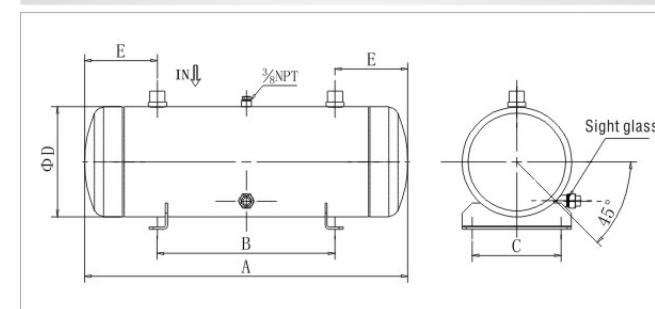
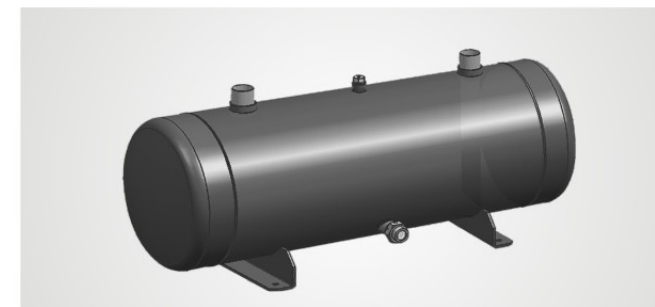
During the compressor operating, the outlet line always has a lot of refrigeration oil. In order to ensure the compressor not lose too much refrigeration oil, and prevent refrigeration oil influence heating function for the condenser and cooling function of evaporator. So, between compressor and condenser, it must install one oil separator. It can separate the refrigeration oil and medium. And let the oil go back to compressor automatic and achieve the best cooling result.

## Vertical Receiver



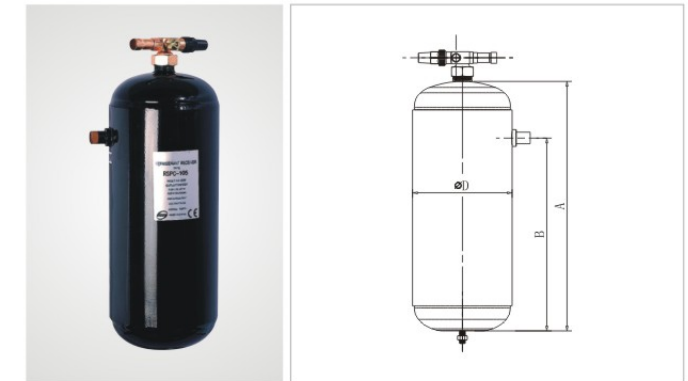
Part No.	Volume(L)	ODF	A(mm)	B(mm)	D(mm)	α°
RSPC-133	1.1	3/8	170	35	102	18.2°
RSPC-166	1.6	3/8	192	40	114	22.3°
RSPC-233	2	3/8	185	42	127	20°
RSPC-333	3	3/8	293	42	127	20°
RSPC-433	4	3/8	238	55	165	21°
RSPC-644	6	1/2	332	55	165	21°
RSPC-844	8	1/2	432	55	165	21°
RSPC-855	8	5/8	432	55	165	21°
RSPC-1055	10	5/8	322	75	219	17°
RSPC-1255	12	5/8	380	75	219	17°
RSPC-1455	14	5/8	435	75	219	17°
RSPC-1466	14	3/4	435	75	219	17°
RSPC-1677	16	7/8	492	75	219	17°
RSPC-1877	18	7/8	549	75	219	17°
RSPC-2077	20	7/8	606	75	219	17°

## Horizontal Receiver

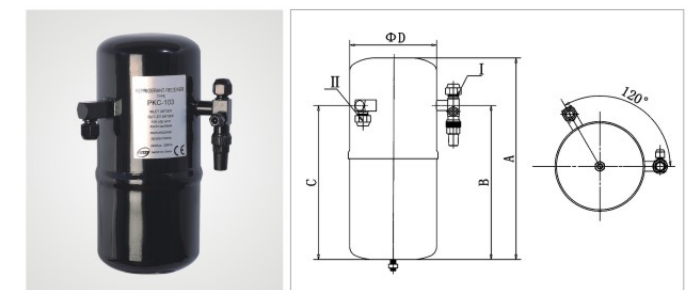


Volume	Inlet & Outlet	A(mm)	B(mm)	C(mm)	D(mm)	E(mm)
30L	1-1/8	900	600	190	219	150
35L	1-1/8	1000	700	190	219	150
40L	1-3/8	800	440	220	273	180
45L	1-3/8	900	540	220	273	180
50L	1-5/8	1000	640	220	273	180
55L	1-5/8	1100	740	220	273	180
60L	2-1/8	1200	840	220	273	180

## Vertical Receiver

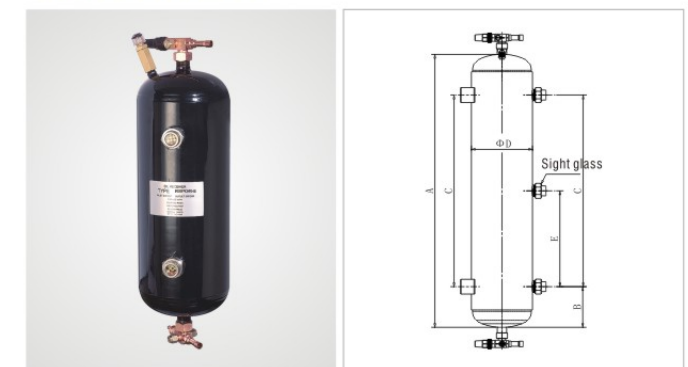


Part No.	Volume(L)	ODF	A(mm)	B(mm)	D(mm)
RSPC-101J	1.0	3/8	200	132	89
RSPC-102J	2.9	3/8	258	181	127
RSPC-103J	3.2	3/8	290	203	127
RSPC-104J	6.2	1/2	348	257	165
RSPC-105J	7.5	5/8	414	320	165
RSPC-106J	11.2	3/4	600	495	165
RSPC-107J	13.2	7/8	700	585	165



Part No.	Volume(L)	SAE	A(mm)	B(mm)	C(mm)	D(mm)
RSPC-101	1.1	1/4, 3/8	218	136	136	89
RSPC-102	2.9	3/8, 3/8	245	160	160	130
RSPC-103	3.5	3/8, 3/8	298	208	208	130
RSPC-104	6.0	1/2, 1/2	360	275	275	152
RSPC-105	9.6	5/8, 5/8	412	275	322	180

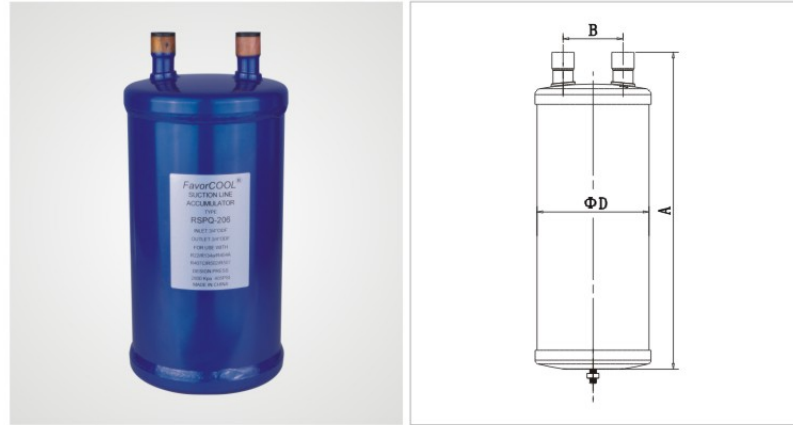
## Vertical Receiver



Part No.	Volume(L)	Inlet & Outlet	A(mm)	B(mm)	C(mm)	D(mm)	E(mm)
RSPOR-6	6	3/8	338	94	150	165	-
RSPOR-8	8	3/8	438	109	220	165	-
RSPOR-10	10	3/8	548	131	285	165	-
RSPOR-12	12	3/8	638	139	360	165	-
RSPOR-14	14	1/2	738	110	518	165	259
RSPOR-19	19	1/2	580	140	300	219	-
RSPOR-23	23	5/8	700	140	420	219	210

## Suction Line Accumulators

In circulatory system, the refrigerant must be converted from gas to liquid before returning to the compressor. So it has to separate gas and liquid before the refrigerant enters into the compressor. And let the gas refrigerant enter into the compressor will not cause strike. The liquid refrigerant evaporates slowly in the vessel, then enters the compressor after evaporation. In order to make the residual refrigerant oil come back to the compressor, there is a hole in the bottom of the tube in the accumulator which may let the oil come back. When the residual refrigerant in the system comes into the accumulator, it will go back to the compressor with the gas refrigerant. Because of the protection from the accumulator, the life time of the compressor can be longer and the circulatory system can run better.

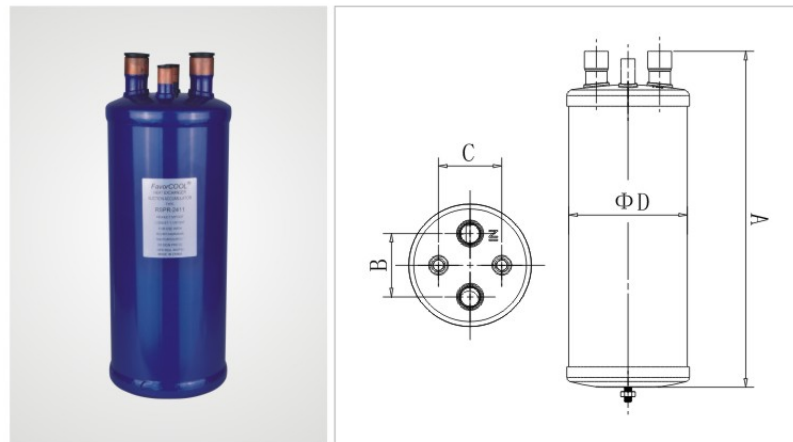


Part No.	Volume(L)	Inlet & Outlet	A(mm)	B(mm)	D(mm)	Normal Capacity (KW) @ -18°C vaporize temp.		
						R22	R134a	R404A
RSPQ-204	1.5	1/2	254	52	102	3.2	2.17	2.8
RSPQ-205	1.8	5/8	294	52	102	4.9	2.8	4.2
RSPQ-206	3.8	3/4	316	75	140	6.3	3.2	5.3
RSPQ-207	4.3	7/8	356	75	140	11.6	6.3	9.5
RSPQ-208	7.3	1-1/8	450	85	159	18.9	10.9	15.5
RSPQ-209	9.6	1-3/8	574	85	159	29.9	16.2	25.3
RSPQ-210	10.4	1-5/8	624	85	159	45.0	25.7	37.6
RSPQ-595	2.4	5/8	257	70	127	5.1	2.7	4.5
RSPQ-596	2.4	3/4	257	70	127	6.3	3.2	5.3
RSPQ-597	2.4	7/8	262	70	127	11.6	6.3	9.5
RSPQ-5126	3.3	3/4	332	70	127	6.3	3.2	5.3
RSPQ-5127	3.3	7/8	337	70	127	11.6	6.3	9.5
RSPQ-5137	3.5	7/8	358	70	127	11.6	6.3	9.5
RSPQ-5139	3.5	1-1/8	363	70	127	18.9	10.9	15.5
RSPQ-5179	4.7	1-1/8	465	70	127	18.9	10.9	15.5
RSPQ-51711	4.7	1-3/8	465	70	127	29.9	16.2	25.3
RSPQ-61411	6.0	1-3/8	390	85	159	29.9	16.2	25.3
RSPQ-62013	8.8	1-5/8	548	85	159	45.0	25.7	37.6

## Suction Accumulators with Heat Exchanger

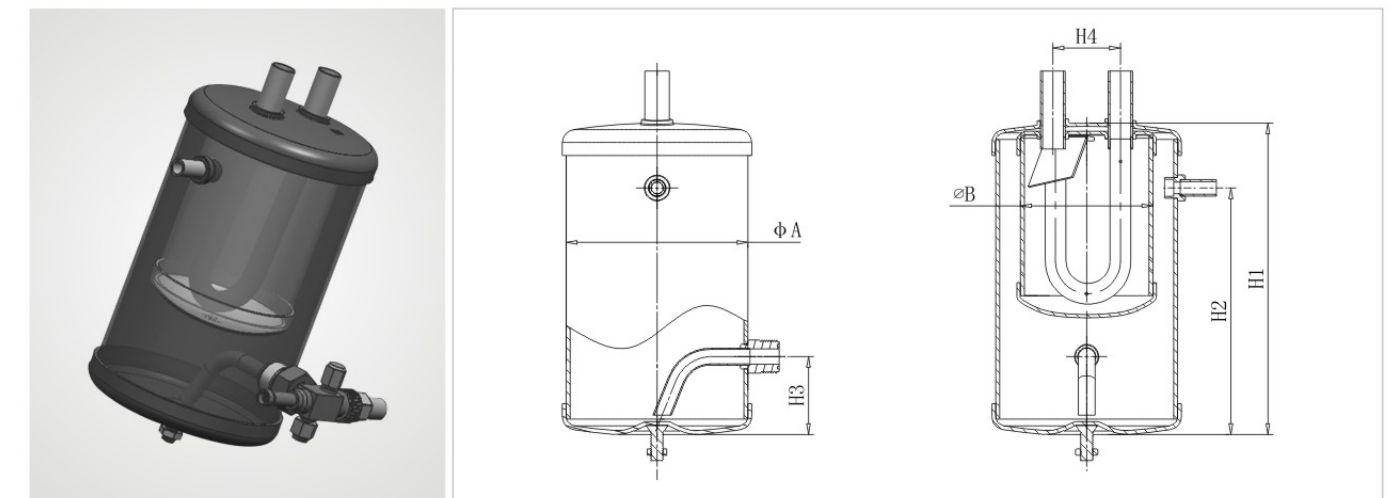
RSPR Series suction accumulators with heat exchanger are particularly recommended for installations with a low overheating of refrigerant vapours at compressor suction (liquid cooler, low temperature display cabinets, vehicle refrigerating, etc...) and recommended for installations where the suction line accumulator is positioned outside (in this case, the exchanger allows a faster re-evaporation of the liquid).

The heat exchanger allows the increase of the refrigerant's refrigerating effect, by high pressure liquid sub-refrigerating, upstream of the pressure relief valve; it therefore prevents the risks of gas presence at the intake of the pressure relief valve.



Part No.	Volume(L)	Suction Line ODF(inch)	Liquid Line ODF(inch)	A(mm)	B(mm)	C(mm)	D(mm)	Normal Capacity (KW) @ -18°C vaporize temp.		
								R22	R134a	R404A
RSPQ-2404	1.5	1/2	3/8	254	52	52	102	3.2	2.17	2.8
RSPQ-2405	1.8	5/8	3/8	294	52	52	102	4.9	2.8	4.2
RSPQ-2406	3.8	3/4	1/2	316	75	75	140	6.3	3.2	5.3
RSPQ-2407	4.3	7/8	1/2	356	75	75	140	11.6	6.3	9.5
RSPQ-2411	7.3	1-1/8	5/8	450	85	85	159	18.9	10.9	15.5
RSPQ-2413	9.6	1-3/8	3/4	574	85	85	159	29.9	16.2	25.3
RSPQ-2415	10.4	1-5/8	7/8	624	85	85	159	41.0	24.1	32.6
RSPQ-2417	10.4	2-1/8	7/8	629	85	85	159	49.6	35.4	42.8

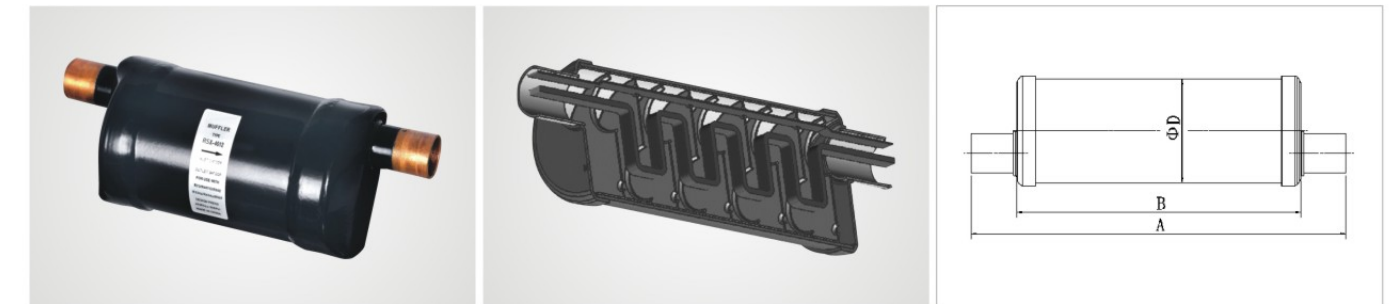
## Heat Exchanger Accumulators & Liquid Receivers



Part No.	High Pressure Conn.		Low Pressure Conn.		H1		H2		H3		H4		ΦA		ΦB	
	inch	mm	inch	mm	inch	mm	inch	mm	inch	mm	inch	mm	inch	mm	inch	mm
SRH-304	3/8	9.7	1/2	12.9	9.6	245	7.3	185	2.3	60	2.0	52	4.0	102	3.0	76
SRH-305	3/8	9.7	5/8	16.0	9.4	240	7.5	190	2.3	60	2.0	52	5.5	140	4.0	102
SRH-307	3/8	9.7	7/8	22.7	13.3	340	10.6	270	3.14	80	2.8	70	6.2	159	5.0	127
SRH-411	1/2	12.9	1-1/8	28.8	13.6	346	9.8	248	3.0	76	3.1	80	8.6	219	6.5	165
SRH-513	5/8	16.0	1-3/8	35.0	16.0	406	12.1	308	3.0	76	3.1	80	8.6	219	6.5	165
SRH-515	5/8	16.0	1-5/8	42.0	17.5	445	14.8	375	3.0	76	3.1	80	8.6	219	6.5	165
SRH-721	7/8	22.4	2-1/8	54.0	19.3	490	14.5	370	4.3	120	4.1	105	10.7	273	8.6	219

## Discharge Muffler

Mufflers are designed to eliminate pulsation in compressor discharge line running to remote condensers. Mufflers have internal baffles designed for minimum pressure drop. These baffles change the velocity of the discharging gases passing through the muffler. This results in a dampening effect on high frequency sound waves in the gases on high speed compressors. This also filters out the pulsating waves in low speed compressors. Mufflers are sized to the discharge line of the compressor.



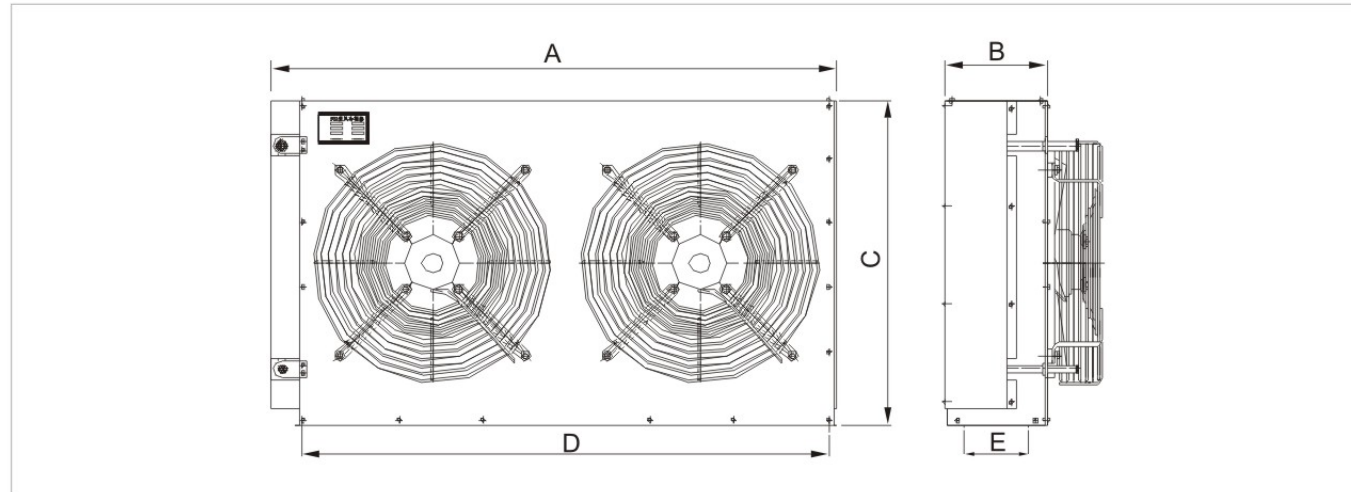
### Feature:

- Working temperature range: -40°C~120°C.
- Robust design
- Negligible loss in system efficiency.
- Designed for maximum flow and minimal pressure drop.
- Special baffle design.
- Oil drain passage.

Part No.	Connection (ODF)	A(mm)	B(mm)	D(mm)	Working Pressure(MPa)
SRX-2506	3/8"	188	139	63.5	4.2
SRX-2508	1/2"	193	145	63.5	4.2
SRX-2510	5/8"	191	139	63.5	4.2
SRX-2512	3/4"	195	145	63.5	4.2
SRX-3010	5/8"	262	210	76	4.2
SRX-3014	7/8"	292	210	76	4.2
SRX-3018	1-1/8"	330	260	76	3.2
SRX-4022	1-3/8"	368	280	102	3.2
SRX-4026	1-5/8"	380	280	102	3.2
SRX-6234	2-1/8"	570	425	159	3.2
SRX-6242	2-5/8"	575	425	159	3.2
SRX-6250	2-7/8"	580	425	159	3.2

# Air Cooled Condenser

## Nomenclature



## Product Description

With so many years experience of finned pack heat exchanger designing and manufacturing, We provide the CD series air cooled condensers for all kinds of refrigeration system. The optimal geometry and fins ripple make the condenser low flow drop, low airflow resistance, and low noise. All of our products have been tested at 2.8MPa for the air leakage. R22, R134a, R404A & R407C could run on these units.

# CD Series Standard Condenser

Part No.	Capacity(KW)	Coil Surface (m <sup>2</sup> )	Fan motor				Connection pipe(mm)		Overall size(mm) A × B × C
			Input(W)	Dia(mm)	Air flow(m <sup>3</sup> /h)	Voltage (V)	Inlet	outlet	
CD-2	0.6	2	1×35	200	410	220	Φ10	Φ10	320×100×230
CD-3.4	1.0	3.4	1×35	200	410	220	Φ12	Φ12	320×100×230
CD-4.4	1.3	4.4	1×60	250	750	220	Φ12	Φ12	370×100×280
CD-5.4	1.6	5.4	1×75	300	1350	220	Φ12	Φ12	440×100×330
CD-7.0	2.0	7.0	1×90	300	1350	220	Φ12	Φ12	440.×135×330
CD-8.4	2.3	8.4	1×150	350	3100	380	Φ16	Φ12	500×130×430
CD-11.5	3.5	11.5	1×150	350	3100	380	Φ16	Φ12	480×180×430
CD-15	4.4	15	1×150	350	3100	380	Φ16	Φ12	550×180×480
CD-18	5.2	18	1×180	400	4500	380	Φ19	Φ16	590×180×530
CD-22	6.4	22	1×180	400	4500	380	Φ19	Φ16	590×180×530
CD-25	8.1	25	1×180	400	4500	380	Φ19	Φ16	720×180×580
CD-21	6.1	21	2×90	300	2700	220	Φ16	Φ12	840×180×430
CD-28	8.2	28	2×150	350	6200	380	Φ19	Φ16	900×180×430
CD-33	11.2	33	2×150	350	6200	380	Φ19	Φ16	900×200×480
CD-36	12.6	36	2×180	400	9000	380	Φ19	Φ16	1015×180×580
CD-43	14.8	43	2×180	400	9000	380	Φ22	Φ16	1015×180×680
CD-48	17.5	48	2×180	400	9000	380	Φ22	Φ16	1250×200×630
CD-55	19.2	55	2×180	400	9000	380	Φ22	Φ19	1250×200×730
CD-70	20.5	70	2×250	450	10360	380	Φ28	Φ19	1250×200×830
CD-80	24.4	80	2×250	450	10360	380	Φ28	Φ19	1250×200×830
CD-100	29.6	100	4×180	400	18000	380	Φ28	Φ22	1250×200×1130
CD-130	38.2	130	4×180	400	18000	380	Φ28	Φ22	1250×200×1380
CD-150	47.2	150	4×180	400	18000	380	Φ28	Φ22	1315×250×1330
CD-180	54	180	4×180	400	18000	380	Φ35	Φ22	1315×270×1330

# CDV Series Condenser

Part No.	Capacity(KW)	Coil Surface (m <sup>2</sup> )	Fan motor				Connection pipe(mm)		Overall size(mm) L × W × H
			Input(W)	Dia(mm)	Air flow(m <sup>3</sup> /h)	Voltage (V)	Inlet	outlet	
CDV-72	21.5	72	1×600	550	7950	380	2×Φ22	2×Φ16	940×980×880
CDV-111	33.5	111	2×600	550	16200	380	2×Φ22	2×Φ16	1540×980×960
CDV-158	47.5	158	2×600	550	16200	380	2×Φ22	2×Φ16	1540×980×960
CDV-180	54	180	2×780	600	20700	380	2×Φ28	2×Φ22	1840×980×1100
CDV-219	65	219	2×780	600	20700	380	2×Φ28	2×Φ22	1840×980×1100
CDV-270	81	270	3×800	630	34800	380	2×Φ28	2×Φ22	2640×1030×1100
CDV-328	99	328	3×800	630	34800	380	2×Φ28	2×Φ22	2640×1030×1100
CDV-383	115	383	3×800	630	34800	380	2×Φ28	2×Φ22	3040×1030×1100
CDV-455	137	455	4×800	630	44000	380	2×Φ35	2×Φ28	3240×1050×1200
CDV-570	171	570	4×800	630	44000	380	2×Φ35	2×Φ28	3240×1200×1200

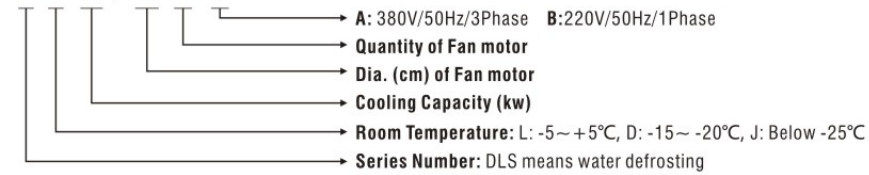
# CDG Series Condenser

Part No.	Capacity(KW)	Coil Surface (m <sup>2</sup> )	Fan motor				Connection pipe(mm)		Overall size(mm) L × W × H
			Input(W)	Dia(mm)	Air flow(m <sup>3</sup> /h)	Voltage (V)	Inlet	outlet	
CDG-200	66	200	1×1800	800	18660	380	42	35	1600×1220×1340
CDG-300	109	300	2×1800	800	39000	380	42	35	2900×1220×1340
CDG-400	132	400	2×1800	800	37320	380	54	42	2900×1220×1340
CDG-500	165	500	3×1800	800	28500	380	54	42	4200×1220×1340
CDG-600	198	600	3×1800	800	55980	380	54	42	4200×1220×1340
CDG-800	264	800	4×1800	800	74640	380	67	54	5500×1220×1340
CDG-1000	330	1000	6×1800	800	115070	380	2×67	2×54	4200×2220×1340
CDG-1200	396	1200	6×1800	800	109620	380	2×67	2×54	4200×2220×1340

# Air Coolers (Evaporators)

## Nomenclature

D L 29 / 45 3 A



## Product Description

- Powder painting steel body
- Defrosting with stainless steel electric heater
- Water defrosting is optional.
- Double layer drain plates keep the condensate water from frozen

## DL Series Chiller Room Air Cooler (fin space 4.5 mm)

Part No.	Capacity(KW) DT=7K, Te=-7°C		Air Flow (m³/h)	Air Throw (m)	Input (KW)	Measurement			Pipe Dia.		Defrosting heater	
	R22	R404A				Length (mm)	Width (mm)	Height (mm)	Liquid (mm)	Gas (mm)	For coil (KW)	For drain plate (KW)
DL3.5/311A	3.5	2	1500	9	90	642	445	465	Φ12.7	Φ19	1.5	0.5
DL4.7/312A	4.7	3.7	3000	9	180	1092	445	465	Φ12.7	Φ22	2.7	0.9
DL6/312A	6.0	4.9	3000	9	180	1108	455	465	Φ12.7	Φ22	3.6	0.9
DL9/352A	9.0	6.3	4500	10	280	1408	455	465	Φ16	Φ22	3.6	1.2
DL12.5/402A	12.5	9.5	7000	13	360	1488	555	565	Φ16	Φ22	4.8	1.2
DL14.5/402A	14.5	13.1	7000	13	360	1488	555	665	Φ16	Φ28	6.0	1.2
DL17/402A	17.0	15.2	7000	13	360	1488	555	665	Φ16	Φ28	6.0	1.2
DL25/502A	25.0	17.9	12000	17	900	1758	555	665	Φ22	Φ35	7.5	3
DL29/453A	29.0	26.3	13500	17	750	2121	595	665	Φ22	Φ35	10.0	4
DL36.5/503A	36.5	30.5	18000	19	1350	2400	595	665	Φ22	Φ42	10.0	4
DL42/503A	42.0	38.3	18000	19	1350	2704	595	665	Φ22	Φ42	12.0	4
DL49/503A	49.0	44.1	18000	19	1350	2704	595	665	Φ22	Φ54	12.0	4
DL59/503A	59.0	51.5	24000	19	1800	3938	785	675	Φ22	Φ54	15.6	5.2
DL70/554A	70.0	62.0	30000	25	2400	3938	785	775	Φ22	Φ54	15.6	5.2
DL84/554A	84.0	73.5	30000	25	2400	3978	785	975	Φ28	Φ54	23.4	5.2
DL103/604A	103.0	88.2	42000	25	3120	3978	785	1175	Φ28	Φ60	26.0	5.2
DL112/634A	112.0	108.2	46000	25	3200	3988	785	1275	Φ35	Φ60	31.2	5.2
DL122/634A	122.0	117.6	46000	25	3200	3988	785	1375	Φ35	Φ60	33.8	5.2

## DD Series Freezer Room Air Cooler (fin space 6.0 mm)

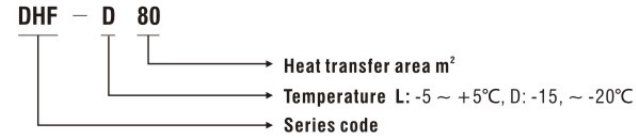
Part No.	Capacity(KW) DT=7K, Te=-7°C		Air Flow (m³/h)	Air Throw (m)	Input (KW)	Measurement			Pipe Dia.		Defrosting heater	
	R22	R404A				Length (mm)	Width (mm)	Height (mm)	Liquid (mm)	Gas (mm)	For coil (KW)	For drain plate (KW)
DD2.3/311A	2.3	2.4	1500	9	90	642	445	465	Φ12.7	Φ19	1.5	0.5
DD3/312A	3	3.2	3000	9	180	1092	445	465	Φ12.7	Φ22	2.7	0.9
DD4.5/312A	4.5	4.7	3000	9	180	1108	455	465	Φ12.7	Φ22	3.6	0.9
DD6/352A	6	6.3	4500	10	280	1408	455	465	Φ16	Φ22	3.6	1.2
DD7.5/402A	7.5	7.9	7000	13	360	1488	555	565	Φ16	Φ22	4.8	1.2
DD9/402A	9	9.5	7000	13	360	1488	555	665	Φ16	Φ28	6.0	1.2
DD11/402A	11	11.6	7000	13	360	1488	555	565	Φ16	Φ28	6.0	1.2
DD15.5/502A	15.5	16.3	12000	17	900	1758	555	665	Φ22	Φ35	7.5	3
DD19/453A	19	20	13500	17	750	2121	595	665	Φ22	Φ35	10.0	4
DD24/503A	24	25.2	18000	19	1350	2400	595	665	Φ22	Φ42	10.0	4
DD29/503A	29	30.5	18000	19	1350	2704	595	665	Φ22	Φ42	12.0	4
DD32/503A	32	33.6	18000	19	1350	2704	595	665	Φ22	Φ54	12.0	4
DD38/504A	38	39.9	24000	19	1800	3938	785	675	Φ22	Φ54	15.6	5.2
DD47/554A	47	49.4	30000	25	2400	3938	785	775	Φ22	Φ54	15.6	5.2
DD58/554A	58	60.9	30000	25	2400	3978	785	975	Φ28	Φ54	23.4	5.2
DD72/604A	72	75.6	42000	25	3120	3978	785	1175	Φ28	Φ60	26.0	5.2
DD79/634A	79	83	46000	25	3200	3988	785	1275	Φ35	Φ60	31.2	5.2
DD88/634A	88	92.4	46000	28	3200	3988	785	1375	Φ35	Φ60	33.8	5.2

## DJ Series Blast Freezer Air Cooler (fin space 9.0 mm)

Part No.	Capacity(KW) DT=7K, Te=-7°C		Air Flow (m³/h)	Air Throw (m)	Input (KW)	Measurement			Pipe Dia.		Defrosting heater	
	R22	R404A				Length (mm)	Width (mm)	Height (mm)	Liquid (mm)	Gas (mm)	For coil (KW)	For drain plate (KW)
DJ2.2/312A	2.2	2.3	3000	9	180	1092	445	465	Φ12.7	Φ22	1.8	0.9
DJ2.7/312A	2.7	2.8	3000	9	180	1108	455	465	Φ12.7	Φ22	2.7	0.9
DJ4.2/352A	4.2	4.4	4500	10	280	1408	455	465	Φ16	Φ22	2.7	0.9
DJ5.6/402A	5.6	5.9	7000	13	360	1488	555	565	Φ16	Φ22	4.8	1.2
DJ6.8/402A	6.8	7.1	7000	13	360	1488	555	665	Φ16	Φ28	6.0	1.2
DJ7.8/402A	7.8	8.2	7000	13	360	1488	555	565	Φ16	Φ28	7.2	1.2
DJ11.5/502A	11.5	12.1	12000	17	900	1758	555	665	Φ22	Φ35	7.5	3.0
DJ14/453A	14	14.7	13500	17	750	2121	595	665	Φ22	Φ35	8.0	4.0
DJ17/503A	17	17.9	18000	19	1350	2400	595	665	Φ22	Φ42	10.0	4.0
DJ20/503A	20	21	18000	19	1350	2704	595	665	Φ22	Φ42	12.0	4.0
DJ23/503A	23	24.2	18000	19	1350	2704	595	665	Φ22	Φ54	14.0	4.0
DJ26/504A	26	27.3	24000	19	1800	3938	785	675	Φ22	Φ54	14.0	5.2
DJ31/554A	31	32.6	30000	25	2400	3938	785	775	Φ22	Φ54	15.6	5.2
DJ40/554A	40	42	30000	25	2400	3978	785	975	Φ28	Φ54	20.8	5.2
DJ49/604A	49	51.5	42000	25	3120	3978	785	1175	Φ28	Φ60	26.0	5.2
DJ53.6/634A	53.6	56	46000	25	3200	3988	785	1275	Φ35	Φ60	28.6	5.2
DJ58/634A	58	61	46000	28	3200	3988	785	1375	Φ35	Φ60	33.8	5.2

# Dual Discharge Evaporator

## Nomenclature



## Product Description

With the gentle wind discharged from each side, DHF range of dual discharge air cooler is good for applications of food process workshop. According to the different room temperature we have L group for 0°C and D for -18°C. All the products are anti-rusty, corrosion proof, and high reliability.

## Fin space: 4.0mm

Part No.	Capacity (KW)	Coil Surface (m <sup>2</sup> )	Tube cubage (L)	Fan motor				Defrost	
				Air Flow (m <sup>3</sup> /h)	Dia. (mm)	Input (W)	Voltage (V)	Input (KW)	Voltage (V)
DHF-L23C	5.5	22.8	2.5	4000	400	1×250	380	0.8	220
DHF-L30C	7.3	30.4	3.4	4000	400	1×250	380	1.2	220
DHF-L42C	10.1	42.0	4.4	8000	400	2×250	380	1.4	220
DHF-L56C	13.5	56.1	5.9	8000	400	2×250	380	1.6	220
DHF-L70C	16.8	70.0	7.2	12000	400	3×250	380	2.4	220
DHF-L88C	21.0	87.6	8.9	12000	400	3×250	380	3.6	220
DHF-L117C	28.0	116.8	11.7	16000	400	4×250	380	4.8	220
DHF-L140C	33.6	140.2	14.0	16000	400	4×250	380	6.4	220

Capacity test condition: cold room temperature: 2°C, DT: 8K.

## Fin space: 6.0mm

Part No.	Capacity (KW)	Coil Surface (m <sup>2</sup> )	Tube cubage (L)	Fan motor				Defrost	
				Air Flow (m <sup>3</sup> /h)	Dia. (mm)	Input (W)	Voltage (V)	Input (KW)	Voltage (V)
DHF-D16A	3.1	15.6	2.5	4000	400	1×250	380	1.6	220
DHF-D21A	4.1	20.8	3.4	4000	400	1×250	380	1.8	220
DHF-D29A	5.8	28.8	4.4	8000	400	2×250	380	2.8	220
DHF-D38A	7.7	38.4	5.9	8000	400	2×250	380	3.2	220
DHF-D48A	9.6	48.0	7.2	12000	400	3×250	380	3.6	220
DHF-D60A	12.0	60.0	9.5	12000	400	3×250	380	4.8	220
DHF-D80A	16.0	80.0	10.6	16000	400	4×250	380	6.4	220
DHF-D96A	19.2	96.0	14.0	16000	400	4×250	380	8.0	220

Capacity test condition: cold room temperature: -18°C, DT: 8K.

## Overall dimensions

Part No.	Overall size (mm)			Top install size (mm)						Connect pipe (mm)		Drainage pipe dia.
	A	B	C	D	E	E1	E2	E3	F	Inlet	outlet	
DHF-D16A DHF-L23A	906	1042	390	990	690	-	-	-	110	Φ12	Φ22	2×1"
DHF-D21A DHF-L30A	906	1162	390	1110	690	-	-	-	110	Φ12	Φ22	
DHF-D29A DHF-L42A	1256	1162	390	1110	1040	-	-	-	110	Φ16	Φ28	
DHF-D38A DHF-L56A	1256	1162	390	1110	1040	-	-	-	110	Φ16	Φ35	
DHF-D48A DHF-L70A	1756	1162	402	1110	1540	500	500	-	110	Φ16	Φ35	
DHF-D60A DHF-L88A	1756	1162	402	1110	1540	500	500	-	110	Φ16	Φ35	
DHF-D80A DHF-L117A	2255	1162	477	1110	1540	500	500	500	110	Φ22	Φ42	
DHF-D96A DHF-L140A	2255	1162	477	1110	1540	500	500	500	110	Φ22	Φ42	

# EV Series Freezer Air Cooler

## Main Components

- Magnalium body.
- Two type of fin space (4.5mm/9.0mm).
- Ceiling mounted.



## Product description

EV series freezer air cooler is a cooling equipment, which is applicable to Freon refrigerator, suitable for 0~8°C

## Specifications

Part No.	Capacity (KW)	Coil Surface (m <sup>2</sup> )	Tube cubage (L)	Fan motor			
				Air flow(m <sup>3</sup> /h)	Dia.(mm)	Input(W)	Voltage(V)
EV-40	0.3	1.4	0.33	410	200	1×40	220
EV-60	0.4	2.3	0.48	410	200	1×40	220
EV-100	0.63	2.4	0.54	820	200	2×40	220
EV-130	0.85	3.8	0.8	820	200	2×40	220
EV-180	1.28	4.8	1.07	1230	200	3×40	220
EV-290	1.76	7.7	1.61	1230	200	3×40	220

Capacity test condition: refrigerator temperature: 0°C, DT: 8K.

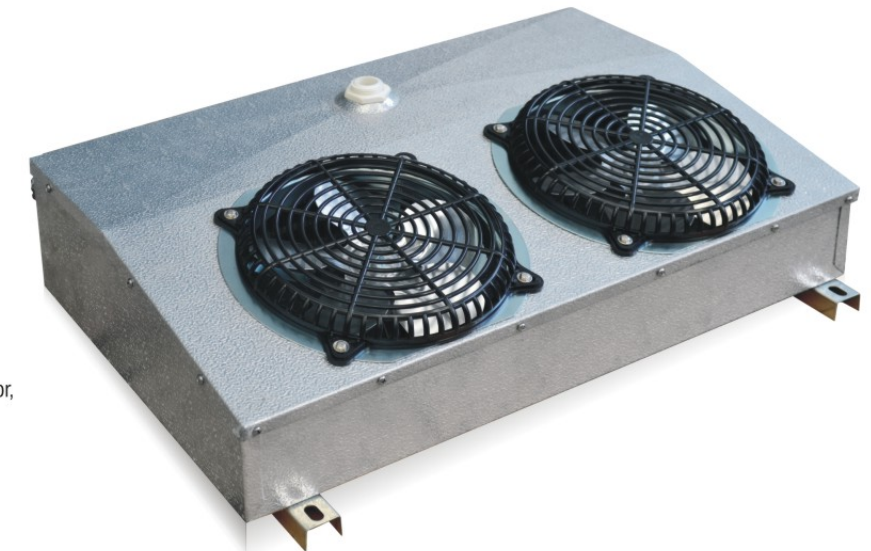
# RB Series Freezer Air Cooler

## Main Components

- Anodized Aluminium body.
- Ceiling mounted.

## Product Description

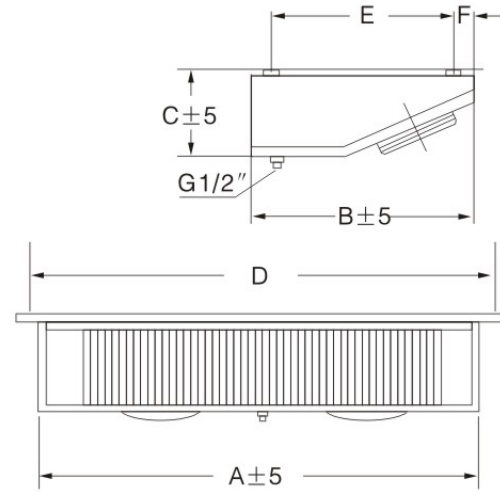
RB series air cooler are of the products specially designed for the beverage cooler and display showcase which widely used for the supermarkets. It is applicable to Freon refrigerator, suitable for 0~8°C



Part No.	Cooling Capacity (W)	Coil Surface (m <sup>2</sup> )	Fan motor						Defrosting heater		Liquid (mm)	Gas pipe (mm)	Length (mm)
			Qty. (pc)	Dia. (mm)	Air Flow (m <sup>3</sup> /h)	Power (W)	Voltage (v)	Rpm	Power(w)	Voltage(v)			
RB-400	540	3	1	200	480	35	220	1300	750	220	12	16	496
RB-420	630	3.5	1	200	480	35	220	1300	800	220	12	16	596
RB-480	720	4	1	200	480	35	220	1300	880	220	12	16	650
RB-600	900	5	2	200	2×480	2×35	220	1300	1020	220	12	16	760
RB-840	1300	7.2	2	200	2×480	2×35	220	1300	1350	220	12	16	1016
RB-1050	1620	9	3	200	3×480	3×35	220	1300	1600	220	12	16	1210



# DE Series Middle Freezing Air Cooler



## Product Description

DE series air cooler can be used as evaporator in a small-size refrigerator. It can form complete set with opened compressor, semi hermetic compressor or hermetic compressor, DE series air cooler has three different sizes in one, two or three fans. It transmits heat quickly, lowers temperature of the refrigerator sharply and make the cold air in the refrigerator well-distributed, can be manufactured according to customer's special requirement.

## DE series air cooler parameter list

Part No.	Capacity (KW)	Coil Surface (m <sup>2</sup> )	Connect pipe (mm)		Fan Motor							Defrost heater 220V/50Hz (W)
			Inlet	outlet	Diameter (mm)	Air Flow (m <sup>3</sup> /h)	Air throw (m)	RPM	Voltage (V)	Qty	Power (W)	
DE-0.45/2.5	450	2.5	Φ12	Φ16	Φ200	480	4	1300	220~240	1	1×40	500
DE-0.9/5.0	900	5.0	Φ12	Φ16	Φ200	2×480	4	1300	220~240	2	2×40	1000
DE-1.35/7.5	1350	7.5	Φ12	Φ16	Φ200	3×480	4	1300	220~240	3	3×40	1500
DE-1.8/10	1800	10	Φ12	Φ16	Φ200	4×480	4	1300	220~240	4	4×40	1800

If the technical changes, please refer to manual attached. No other notice would be given.

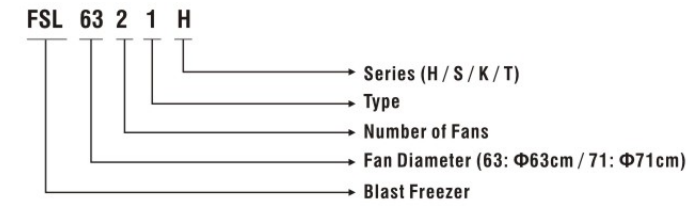
## FB Liquid Distributor

Part No.	Refrigerator internal volume (m <sup>3</sup> )	Refrigerator temperature (°C)	Refrigerator unit power (HP)	Power supply (V)	Installation dimension (mm)						Note
					A	B	C	D	E	F	
DE-0.45/2.5	0.3~0.4	0~10	1/3	220	435	390	150	265	505	525	The factory can specially design and process for the user.
DE-0.9/5.0	0.5	-20 0~+5 0~20	1 1/2 3/4	220	745	390	150	265	815	835	
DE-1.35/7.5	1.0	-20 0~+5 0	1.5 1 3/4	220	1055	390	150	265	1125	1145	
DE-1.8/10	1.5	-20 0~+5 0	2 1.5 1	220	1365	390	150	265	1435	1455	

If the technical changes, please refer to manual attached. No other notice would be given.

# Blast Freezer

## Nomenclature



## Technical Specifications

Capacity Standards  
Refrigerant: R 404 A  
Room Temperature: -35°C  
Evaporation Temperature: -40°C  
Δt=5°C  
Condensation Temperature: 40°C  
Altitude: 0 M



S series



H series

## Fin Space 12mm

Model	Capacity (W)	Surface (m <sup>2</sup> )	Tube Volume (dm <sup>3</sup> )	Fans				Electric Defrost				
				Air Flow (m <sup>3</sup> /h)	Number	Diameter (mm)	Power (W)	Current (A)	Coil (W)	Drain Pan (W)	Fan Hausing Collar (W)	Drain Line (W)
FSL 63.11 S/H	6600	44,6	19,70	16000	1	630	1900	3.2	10×450	2×450	1×300	300
FSL 63.12 S/H	9100	67,0	29,55	15500	1	630	1900	3.2	14×450	2×450	1×300	300
FSL 63.21 S/H	13300	89,3	39,40	32000	2	630	3800	6.4	11×850	2×850	2×300	300
FSL 63.22 S/H	19100	133,9	59,09	31000	2	630	3800	6.4	15×850	2×850	2×300	300
FSL 63.31 S/H	20900	133,9	59,09	48000	3	630	5700	9.6	11×1250	2×1250	3×300	300
FSL 63.32 S/H	28800	200,9	88,64	46500	3	630	5700	9.6	16×1250	2×1250	3×300	300
FSL 63.41 S/H	25600	178,6	78,79	64000	4	630	7600	12.8	10×1650	2×1650	4×300	300
FSL 63.42 S/H	35900	267,9	120,20	62000	4	630	7600	12.8	15×1650	2×1650	4×300	300
FSL 71.11 S	8500	55,7	24,62	19400	1	710	2600	4.5	13×500	2×500	1×300	300
FSL 71.12 S	11300	83,6	36,93	17800	1	710	2600	4.5	18×500	2×500	1×300	300
FSL 71.21 S	17200	111,4	49,24	38800	2	710	5200	9,0	14×1000	2×1000	2×300	300
FSL 71.22 S	22800	167,2	73,87	35600	2	710	5200	9,0	19×1000	2×1000	2×300	300
FSL 71.31 S	24500	167,2	73,87	58200	3	710	7800	13.5	13×1500	2×1500	3×300	300
FSL 71.32 S	33300	250,8	110,80	53300	3	710	7800	13.5	18×1500	2×1500	3×300	300
FSL 71.41 S	34500	222,9	98,50	77600	4	710	10400	18,0	12×2000	2×2000	4×300	300
FSL 71.42 S	44600	334,3	147,70	71100	4	710	10400	18,0	18×2000	2×2000	4×300	300

Capacities at -35 °C room and -40 °C evaporation temperature conditions for R 404 A. For other conditions, please use Capacity Correction Factor calculation.



K series

**NEW**



T series

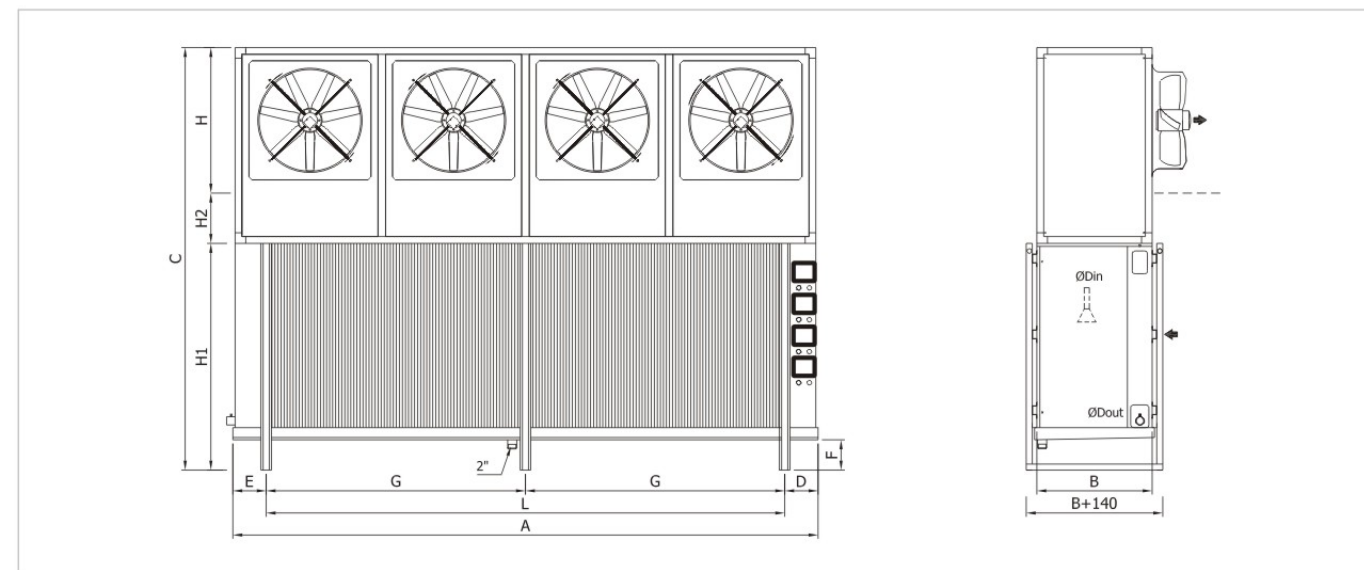
**NEW**

**Fin Space 12mm**

Model	Capacity (W)	Surface (m <sup>2</sup> )	Tube Volume (dm <sup>3</sup> )	Fans					Electric Defrost			
				Air Flow (m <sup>3</sup> /h)	Number	Diameter (mm)	Power (W)	Current (A)	Coil (W)	Drain Pan (W)	Fan Hausing Collar (W)	Drain Line (W)
FSL 63.21 K	13400	90,0	39,77	33000	2	630	3800	6.4	14×650	2×650	2×300	300
FSL 63.22 K	18500	135,0	59,67	32000	2	630	3800	6.4	20×650	2×650	2×300	300
FSL 63.41 K	27500	180,0	79,56	66000	4	630	7600	12.8	14×1250	2×1250	4×300	300
FSL 63.42 K	36500	270,0	118,41	64000	4	630	7600	12.8	20×1250	2×1250	4×300	300
FSL 63.61 K	40900	270,0	119,36	99000	6	630	11400	19.2	14×2000	2×2000	6×300	300
FSL 63.62 K	56700	405,0	179,04	96000	6	630	11400	19.2	20×2000	2×2000	6×300	300
FSL 63.12 T	6200	41,9	18,94	16000	1	630	1900	3.2	9×500	3×500	1×300	300
FSL 63.13 T	8600	62,8	28,41	15500	1	630	1900	3.2	12×500	3×500	1×300	300
FSL 63.22 T	12600	83,7	37,88	32000	2	630	3800	6.4	9×1000	3×1000	2×300	300
FSL 63.23 T	17700	125,6	56,83	31000	2	630	3800	6.4	12×1000	3×1000	2×300	300
FSL 63.32 T	19100	125,6	56,83	48000	3	630	5700	9.6	9×1500	3×1500	3×300	300
FSL 63.33 T	26700	188,3	85,24	46500	3	630	5700	9.6	12×1500	3×1500	3×300	300
FSL 63.42 T	25400	167,4	73,87	64000	4	630	7600	12.8	9×2000	3×2000	4×300	300
FSL 63.43 T	35600	251,1	110,80	62000	4	630	7600	12.8	12×2000	3×2000	4×300	300

Capacities at -35 °C room and -40 °C evaporation temperature conditions for R 404 A. For other conditions, please use Capacity Correction Factor calculation.

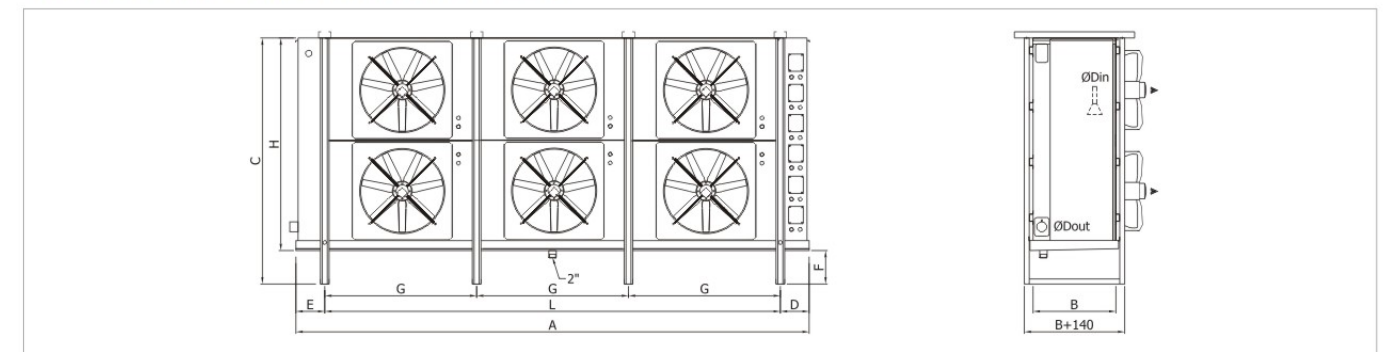
**S and H Series Blast Freezer Dimension Table**



Model	L	A	B	C	D	E	F	G	H	H1*	H2*	D <sub>in</sub>	D <sub>out</sub>	Kg
FSL 63.11 S	870	1310	675	2390	220	220	200	-	895	1495	0	22	35	260
FSL 63.12 S	870	1310	835	2390	220	220	200	-	895	1495	0	22	35	290
FSL 63.21 S	1670	2110	675	2390	220	220	200	-	895	1495	0	22	42	410
FSL 63.22 S	1670	2110	835	2390	220	220	200	-	895	1495	0	22	54	470
FSL 63.31 S	2470	2910	675	2390	220	220	200	-	895	1495	0	22	54	550
FSL 63.32 S	2470	2910	835	2390	220	220	200	-	895	1495	0	22	54	645
FSL 63.41 S	3270	3710	675	2390	220	220	200	1635	895	1495	0	22	54	700
FSL 63.42 S	3270	3710	835	2390	220	220	200	1635	895	1495	0	35	66	820
FSL 71.11 S	1070	1510	675	2750	220	220	200	-	950	1800	0	22	35	300
FSL 71.12 S	1070	1510	835	2750	220	220	200	-	950	1800	0	22	42	345
FSL 71.21 S	2070	2510	675	2750	220	220	200	-	950	1800	0	22	54	485
FSL 71.22 S	2070	2510	835	2750	220	220	200	-	950	1800	0	22	54	560
FSL 71.31 S	3070	3510	675	2750	220	220	200	-	950	1800	0	22	54	670
FSL 71.32 S	3070	3510	835	2750	220	220	200	-	950	1800	0	35	66	780
FSL 71.41 S	4070	4510	675	2750	220	220	200	2035	950	1800	0	35	66	850
FSL 71.42 S	4070	4510	835	2750	220	220	200	2035	950	1800	0	35	80	1000

H1 + H2 dimension is height of product loading carriage and can be higher by mounting standard supporting legs at different levels.

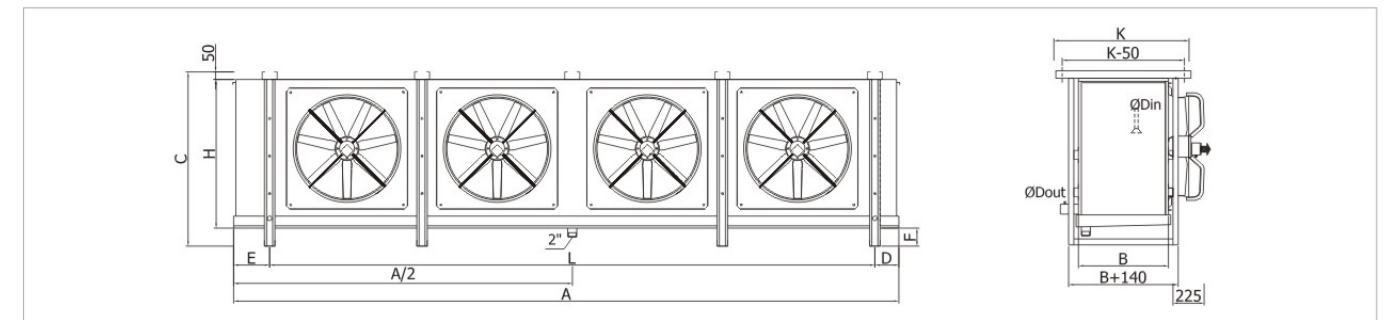
**K Series Blast Freezer Dimension Table**



Model	L	A	B	C	D	E	F	G	H*	D <sub>in</sub>	D <sub>out</sub>	Kg
FSL 63.21 K	1250	1715	670	1985	232,5	232,5	270	-	1715	22	42	370
FSL 63.22 K	1250	1715	830	1985	232,5	232,5	270	-	1715	22	54	450
FSL 63.41 K	2450	2915	670	1985	232,5	232,5	270	1225	1715	22	54	630
FSL 63.42 K	2450	2915	830	1985	232,5	232,5	270	1225	1715	35	66	770
FSL 63.61 K	3650	4115	670	1985	232,5	232,5	270	1215	1715	2×22	2×54	900
FSL 63.62 K	3650	4115	830	1985	232,5	232,5	270	1215	1715	2×22	2×66	1100

By mounting standard supporting legs at different levels, the height of product loading carriage can be higher.

**T Series Blast Freezer Dimension Table**



Model	L	A	B	C	D	E	F	G	H*	D <sub>in</sub>	D <sub>out</sub>	Kg
FSL 63.12 T	1050	1450	630	1160	240	160	120	900	990	5/8"	28	185
FSL 63.13 T	1050	1450	730	1160	240	160	120	1000	990	19	35	215
FSL 63.22 T	2050	2450	630	1160	240	160	120	900	990	22	42	320
FSL 63.23 T	2050	2450	730	1160	240	160	120	1000	990	22	42	380
FSL 63.32 T	3050	3450	630	1160	240	160	120	900	990	22	54	445
FSL 63.33 T	3050	3450	730	1160	240	160	120	1000	990	22	54	530
FSL 63.42 T	4050	4450	630	1160	240	160	120	900	990	22	54	590
FSL 63.43 T	4050	4450	730	1160	240	160	120	1000	990	35	66	710

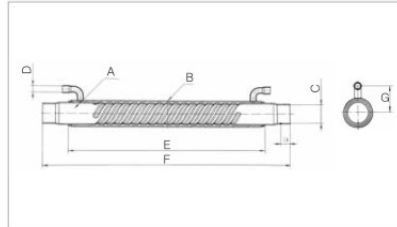


## Copper Heat Exchanger

Copper Heat exchanger is used for heat transfer between the liquid and suction lines of the refrigeration system. The purpose is to utilize the cooling effect to subcool the refrigerant liquid. The Heat Exchanger prevents the lost of cooling in the ambient air via uninsulated suction lines in the heat exchange process.

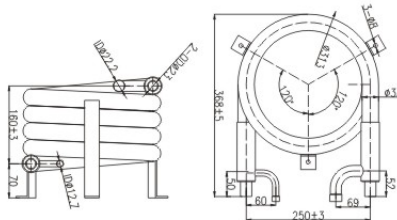
Refrigerants	Working temperature	Max Working pressure	Max. Testing pressure
CFCs, HCFCs, HFCs, HCs	-60°C~120°C	21.5bar	28bar

Part No.	Inlet& outlet Size	A(mm)	B(mm)	C(mm)	D(mm)	E(mm)	F(mm)	G(mm)
HXR-25	1/2 - 1/4	19.05	25.4	12.7	6.35	230	180	30
HXR-50	5/8 - 3/8	22.5	28.6	15.88	9.52	260	210	31.7
HXR-75	7/8 - 3/8	28.6	34.9	22.2	9.52	330	270	34.8
HXR-100	1-1/8 - 3/8	34.9	41.3	28.6	9.52	380	310	38
HXR-150	1-1/8 - 1/2	34.9	41.3	28.6	12.7	380	310	48
HXR-250	1-3/8 - 1/2	41.3	47.7	34.9	12.7	380	310	51.2
HXR-350	1-5/8 - 5/8	47.7	54.1	41.3	15.88	435	340	63



## Coaxial Coils Heat Exchanger

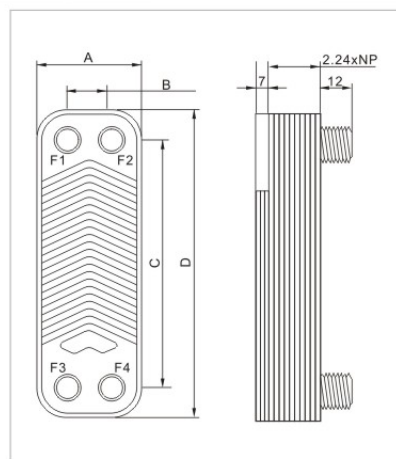
Part No.	Heating Capacity (kw)	Copper Tube Connection				Dimensions		
		Refrigerant		Water		Length (mm)	Height (mm)	Width (mm)
		Inlet-outlet Diameter(mm)	Thickness (mm)	Inlet-outlet Diameter(mm)	Thickness (mm)			
SR-BA-009-H	2.64	12.7-9.52	0.75	18-18	1.2	235	174	148
SR-BA-012-H	3.52	12.7-9.52	0.75	18-18	1.2	235	174	173
SR-BA-018-H	5.28	19.0-12.7	1.1-0.75	19-19	1.5	290	211	148
SR-BA-024-H	7.04	19.0-12.7	1.1-0.75	19-19	1.5	264	222	177
SR-BA-030-H	8.8	22.2-12.7	1.1-0.75	19-19	1.5	350	292	160
SR-BA-036-H	10.56	22.2-12.7	1.1-0.75	19-19	1.5	343	310	185
SR-BA-042-H	12.32	22.2-12.7	1.1-0.75	23-23	1.5	368	287	248
SR-BA-048-H	14.08	22.2-12.7	1.1-0.76	25-25	2.0	389	292	249
SR-BA-060-H	17.6	22.2-12.7	1.1-0.77	25-25	2.0	430	350	251
SR-BA-072-H	21.12	22.2-12.7	1.1-0.78	25-25	2.0	435	338	280
SR-BA-090-H	26.4	22.2-12.7	1.1-0.79	32-32	2.0	440	345	332



## Plate Type Heat Exchanger



Type Number	SR-B3-12-X	SR-B3-14-X	SR-B3-23-X	SR-B3-52-X	SR-B3-95-X
Capacity per plate	0.08KW	0.1KW	0.15KW	0.4KW	1KW
Surface per Plate	0.012m <sup>2</sup>	0.014m <sup>2</sup>	0.023m <sup>2</sup>	0.052m <sup>2</sup>	0.095m <sup>2</sup>
Max plate Quantity	8-60pcs	8-60pcs	8-60pcs	20-120pcs	20-120pcs
Operates Pressure	3.0Mpa	3.0Mpa	3.0Mpa	3.0Mpa	3.0Mpa
Thickness of Plate	0.3mm				
Operates Temperature	-195~+250°C				
Type of Connection	Solder / flare				
Material	316L or 304 stainless steel				
Material of Welding	99.9% copper or nickel				
Capacity of Heat Exchange	1-5KW	1-5KW	3-10KW	10-70KW	50-250KW
Dimension A	73mm	86mm	73mm	112mm	192mm
Dimension B	40mm	46mm	40mm	50mm	90mm
Dimension C	154mm	156mm	278mm	466mm	519mm
Dimension D	191mm	196mm	315mm	526mm	617mm



## Electric Control Box



ECB-1000

**Specification:**

- Product size: 250×190×139mm

**Technical parameters:**

- Compressor working time when sensor error: 0~99 minutes
- Compressor end time when sensor error: 0~99 minutes
- Cooling relay output: 10A/220VAC
- Heating relay output: 10A/220VAC
- Alarm output when Sensor error or exceeding temperature limits: LED flashes
- Temperature measuring range: -50~+90°C
- Return difference: 1~15°C
- Exceeding temperature limit alarm value: 1~15°C
- Accuracy of temp. measuring and controlling: ±1°C
- Resolution: 0.1
- Compressor delay time: 0~9 minutes (Adjustable)



ECB-1000Q

**Features:**

- Big display area shows all necessary information.

**Technical parameters:**

- Power Supply: 220VAC±10%, 50/60Hz
- Power Consumption: Less than 5W
- Temperature Measuring Range: -45°C~99°C
- Accuracy: ±1°C
- Temperature Controlling Range -40°C~90°C
- Resolution: 0.1°C/1°C or 1F
- Relay Capacity of Compressor:
  - Max. capacity for compressor: 3HP
  - Max. capacity for fan: 500W
  - Max. capacity for light: 300W
- Defrost: 8A/220VAC
- Alarm: 5A/220VAC
- Work Temperature: -5°C~60°C
- Sensor Type: NTC(10KΩ/25°C, B-3435K)



ECB-5080

**Specification:**

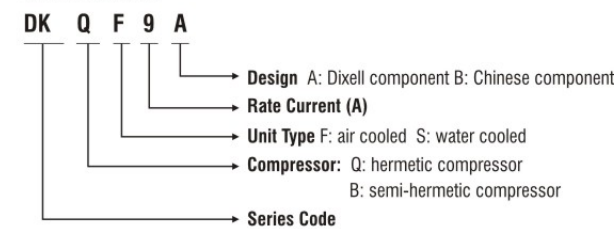
- Product size: 300X420X150mm

**Technical Parameters:**

- Power supply: Three-phase five-wire (or three-phase four-wire), 380 VAC ±10%, 50Hz
- Temperature measuring and controlling range: -50~+50oC
- Accuracy: ±1oC
- Resolution: 0.1
- Compressor start-up delay protection time: 0~120 minutes (Adjustable)
- Max. capacity of controlling the compressor, defroster, fan (KW): 11

## DK Series Cold Room Control Box

### Nomenclature



### Product Description

The DK series product can be used to all types of condensing units, no need extra electrical control box.

- Specially designed for scroll compressors, semi-hermetic compressors of water cooled and air cooled units. They are reasonable and high reliability.
- Two standard designs are available. A: Dixell controller and Schneider electrical component; B: Chinese local components.
- with functions of digital temperature display, setting, automatic control, defrosting, etc.
- indicators of power supply, refrigeration, defrost, error alarm.
- protections ability when phase lacking error, overheat, overload, over pressure, etc.
- DKB series can connect with protection module of compressor, suitable for semi-hermetic compressor.
- DKQ series are suitable for scroll compressors and hermetic compressors.

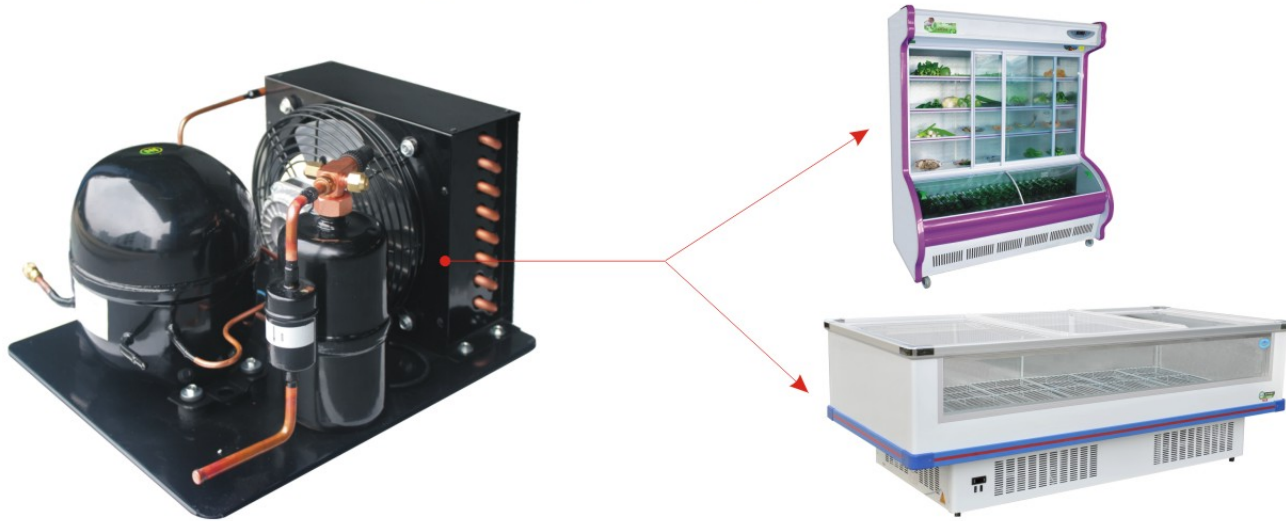
### DKQF Type Control Box, Apply to Scroll and Hermetic Air-cooled Units.

Model	Power Supply	Power (KW)	Evaporator Fan Power (KW)	Defrost Power (KW)	Overall Size (mm) W×H×D	Suitable Unit (HP)
DKQF-9	380V/3ph	4.0	-	4.0	300×400×150	2~3
DKQF-12		5.5	-	5.5	300×400×150	4~5
DKQF-18		7.5	4.0	7.5	300×400×150	6~8
DKQF-25		11.0	4.0	11.0	400×500×200	9~10
DKQF-32		15.0	4.0	15.0	400×500×200	12~15

### DKBF Type Control Box, Apply to Semi-Hermetic Air Cooled Units.

Model	Power Supply	Power (KW)	Evaporator Fan Power (KW)	Cooling Pump Power (KW)	Defrost Power (KW)	Overall Size (mm) W×H×D	Suitable Unit (HP)
DKBF-9	380V/3ph	4.0	-	-	4.0	300×400×150	2~3
DKBF-12		5.5	-	-	5.5	300×400×150	4~5
DKBF-18		7.5	-	4.0	7.5	300×400×150	6~8
DKBF-25		11.0	-	4.0	11.0	400×500×200	9~10
DKBF-32		15.0	-	4.0	15.0	400×500×200	12~15
DKBF-50		11.0×2	4.0	4.0	22.0	600×800×200	20~30
DKBF-65		15.0×2	4.0	4.0	30.0	600×800×200	35
DKBF-80		18.5×2	4.0	4.0	37.0	600×800×200	40

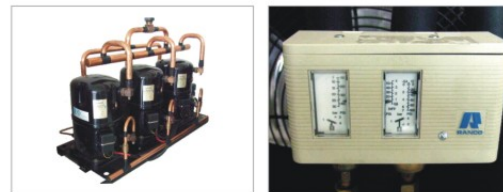
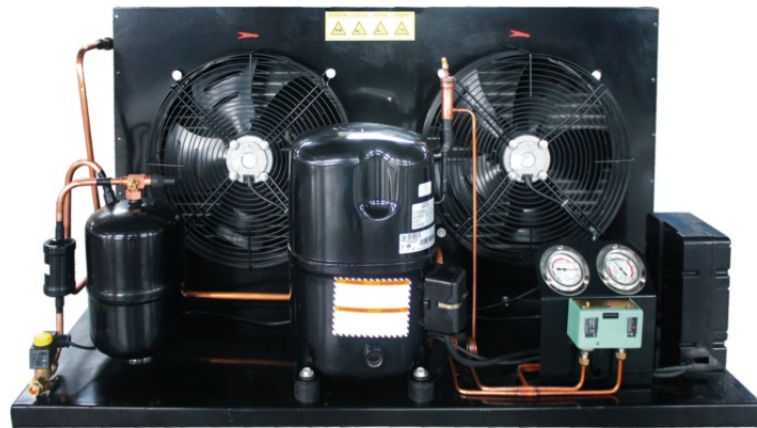
## Hermetic Condensing Unit (R134a)



Model	Power (HP)	Displ (cm <sup>3</sup> )	Cooling Capacity(W)					
			Evaporating Temperature					
			-30°C	-25°C	-23.3°C	-15°C	-10°C	-5°C
2-CU43	1/4	4.3	67	89	112	141	180	202
3.4-CU128	3/8	12.8	207	285	306	489	562	713
4.4-CU142	1/2	14.2	217	311	333	532	617	783

Test condition: Ambient Temperature: 32.2°C Condensing Temperature: 54.4°C

## Tecumseh® Middle & Low Temperature Condensing Unit



### Product description

Tecumseh Europe hermetic condensing units could be used for different ambient temperature, in +43°C it can also works well, all the products are anti-rusty corrosion proof, and high reliability, Every units was tecumseh Europe, Original design and parts from Europe make this product perfect.

Model	Cylinder Capacity (cm <sup>3</sup> )	Nominal Power (hp)	Refri-gerant	Amb Temp (°C)	Capacity(watt)								Voltage (v)	
					Evaporating temperature(°C)								1ph	3ph
					-45	-40	-35	-30	-20	-23.3	-15	-10		
CAJ2428ZBR	15.2	5/8	R404A	32	136	254	372	496	761	671	902	1049	220	-
CAJ2432ZBR	18.3	3/4	R404A	32	165	308	449	594	898	796	1058	1222	220	-
CAJ/TAJ2446ZBR	26.15	1	R404A	32	180	360	574	750	1205	1047	1456	1724	220	380
CAJ/TAJ2464ZBR	34.45	1 1/2	R404A	32	128	459	771	1080	1692	1491	1995	2296	220	380
TFH2480ZBR	53.2	2	R404A	32	435	852	1233	1628	2519	2223	2980	3147	-	380
TFH2511ZBR	74.25	3	R404A	32	395	992	1520	2105	3301	2892	3895	4485	-	380
TAG2516ZBR	112.5	4	R404A	32	941	1631	2354	3146	4940	4317	5941	7011	-	380
TAG2522ZBR	134.8	6	R404A	32	1307	2146	3020	3971	6107	5368	7291	8553	-	380
TAGD2532ZBR	225	8	R404A	32	1705	3005	4383	5954	9697	8363	11827	14171	-	380
TAGD2544ZBR	269.6	12	R404A	32	2479	4085	5750	7577	11713	10277	14023	16495	-	380

## Danfoss® Scroll Condensing Unit



### Standard Features:

- ◆ Danfoss Scroll Compressor
- ◆ Condenser
- ◆ Fan Motor
- ◆ Liquid Receiver
- ◆ Filter Drier
- ◆ Solenoid Valve
- ◆ Pressure Control
- ◆ Pressure Gauge
- ◆ Rotalock Valve
- ◆ Junction Box

## Midium & High Temperature Condensing Unit

Model	CD-15/MLM015	CD-22/MLM021	CD-33/MLM030	CD-43/ZMLM038	CD-48/MLM045	CD-55/MLM048	CD-63/MLM058	CD-70/MLM066	CD-80/MLM076	
Refrigerant	R22									
Condenser fan motor	1×Φ350	1×Φ400	2×Φ350	2×Φ400	2×Φ400	2×Φ400	2×Φ400	4×Φ350	4×Φ350	
Cooling capacity & Input	Evap 5°C	capacity (W)	6000	8200	12700	14900	18000	19500	23200	26800
		Input (KW)	1.4	1.9	2.8	3.4	3.8	4.1	4.85	5.5
	Evap -5°C	capacity (W)	4200	5800	8800	10400	12300	13500	15900	18300
		Input (KW)	1.35	1.86	2.7	3.2	3.75	4.05	4.7	5.4
Evap -10°C	capacity (W)	3500	4800	7200	8500	9900	11100	13000	14900	
	Input (KW)	1.31	1.8	2.68	3.1	3.71	4	4.62	5.3	
Pipe	Suction pipe (mm)	19	19	19	22	22	22	28	35	
	Liquid pipe (mm)	12	12	12	12	12	19	22	22	
Overall Size	L(mm)	780	780	1010	1120	1380	1380	1380	1380	
	W(mm)	700	730	780	780	830	830	830	830	
	H(mm)	750	780	720	880	860	910	980	980	
Mounting size (A×B) (mm)	700×620	700×650	930×700	1030×700	1280×780	1280×720	1280×720	1280×720	1280×720	

Test Condition: Condensing Temp.45°C

## Low Temperature Condensing Unit

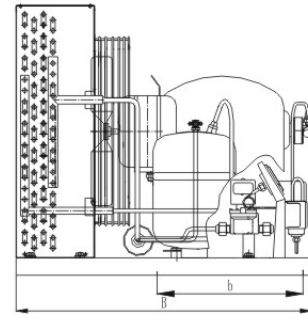
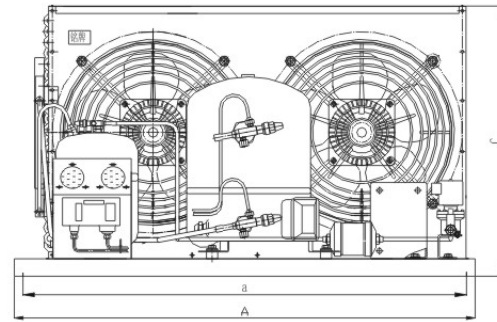
Model	CD-15/MLZ015	CD-22/MLZ021	CD-33/MLZ030	CD-43/MLZ038	CD-48/MLZ045	CD-55/MLZ048	CD-63/MLZ058	CD-70/MLZ066	CD-80/MLZ076	
Refrigerant	R404A									
Condenser fan motor	1×Φ350	1×Φ400	2×Φ350	2×Φ400	2×Φ400	2×Φ400	2×Φ400	4×Φ350	4×Φ350	
Cooling capacity & Input	Evap -10°C	capacity (W)	3700	5100	7700	9200	11100	12100	14300	
		Input (KW)	1.5	2	3	3.6	4.3	4.6	5.8	6.2
	Evap -20°C	capacity (W)	2400	3500	5200	6200	7500	10000	9300	11200
		Input (KW)	1.6	1.9	3	3.5	4.2	4.5	5.6	6.1
Evap -25°C	capacity (W)	1900	2800	4200	5000	6100	6600	7600	9000	
	Input (KW)	1.62	1.85	2.9	3.45	4.1	4.48	5.5	6	
Pipe	Suction pipe (mm)	19	19	19	22	22	22	28	35	
	Liquid pipe (mm)	12	12	12	12	12	19	22	22	
Overall Size	L(mm)	780	780	1010	1120	1380	1380	1380	1380	
	W(mm)	700	730	780	780	830	830	830	830	
	H(mm)	750	780	720	880	860	910	980	980	
Mounting size (A×B) (mm)	700×620	700×650	930×700	1030×700	1280×780	1280×720	1280×720	1280×720	1280×720	

Test Condition: Condensing Temp.45°C

# Maneurop® MGM Series Condensing Unit

## Product Description

- With Maneurop hermetic compressor
- Copper and fin condensers, high efficiency and long life
- Axial fan motor, low noise, and high efficient
- High quality refrigeration components



## Midium & High Temperature Condensing Unit

Model	HGM28	HGM36	HGM40	HGM50	HGM64	HGM80	HGM100	HGM125	HGM160		
Compressor	MTZ28	MTZ36	MTZ40	MTZ50	MTZ64	MTZ80	MTZ100	MTZ125	MTZ160		
Temperature(°C)	-5°C ~ +5°C										
Refrigerant	R404A										
Power supply	380V/3Ph/50HZ										
Condenser	Fan Qty	1	2	2	2	2	2	4	4		
	Fan Voltage(V)	380V/50HZ									
Capacity & input	Evap -0°C	Cap(W)	180	280	280	360	360	500	720	720	
		Input(KW)	5644	7400	8294	10226	13094	16641	19709	25248	31897
	Evap -5°C	Cap(W)	4447	5930	6704	7999	10419	13361	15698	20078	25642
		Input(KW)	2.14	2.8	3.21	3.9	4.94	6.38	7.27	9.16	12.1
Evap -10°C	Cap(W)	3427	4670	5.33	6152	8132	10524	12279	15708	20305	
	Input(KW)	2.0	2.56	2.95	3.61	4.54	5.85	6.76	8.5	11.1	
Pipe	Suction dia (mm)	12	16	22	22	28	28	28	28	28	
	Liquid dia (mm)	10	10	12	12	12	16	16	16	16	
Overall dimension	A (mm)	680	960	960	1060	1300	1300	1300	1300	1300	
	B (mm)	610	680	680	680	750	800	850	850	850	
	C (mm)	570	470	520	730	770	970	1170	1420	1520	

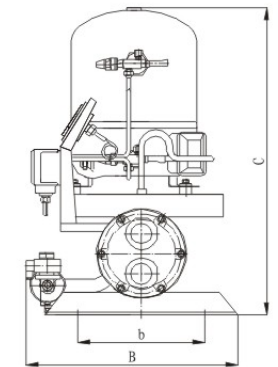
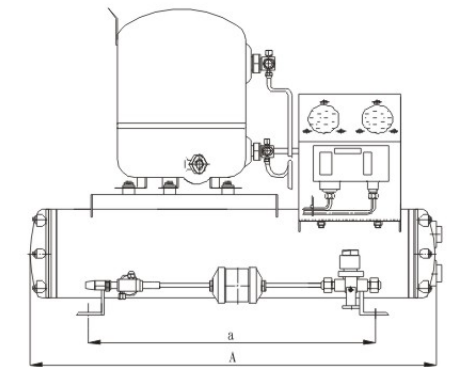
Model	MGM28	MGM36	MGM50	MGM64	MGM80	MGM100	MGM125	MGM160		
Compressor	MTZ28	MTZ36	MTZ50	MTZ64	MTZ80	MTZ100	MTZ125	MTZ160		
Temperature(°C)	-15°C ~ -20°C									
Refrigerant	R404A									
Power supply	380V/3Ph/50HZ									
Condenser	Fan Qty	1	2	2	2	2	2	4		
	Fan Voltage(V)	380V/50HZ								
Capacity & input	Evap -15°C	Cap(W)	150	200	300	400	400	500	800	
		Input(KW)	1846	2693	3419	4563	6010	6959	9057	12014
	Evap -20°C	Cap(W)	1250	1934	2445	3204	4252	4932	6616	8872
		Input(KW)	1.3	1.8	2.61	3.21	4.17	4.8	6.0	7.96
Evap -25°C	Cap(W)	759	1300	1676	2076	2772	3242	4660	6275	
	Input(KW)	1.05	1.5	2.3	2.8	3.7	4.0	5.2	6.8	
Pipe	Suction dia (mm)	12	16	22	22	28	28	28	28	
	Liquid dia (mm)	10	10	12	12	16	16	16	16	
Overall dimension	A (mm)	680	680	960	1060	1300	1300	1300	1300	
	B (mm)	610	610	680	680	750	800	850	850	
	C (mm)	520	520	520	670	670	770	970	1420	

Cooling capacity under standard condensing temp. at 45°C

# Maneurop® MT Series Condensing Unit

## Product Description

- With Maneurop hermetic compressors
- With high efficient shell-copper tube water cooled condenser
- With high quality refrigeration components



## Midium & High Temperature Condensing Unit

Model	HGM36S	HGM50S	HGM64S	HGM72S	HGM80S	HGM100S	HGM125S	HGM160S		
Compressor	MTZ36	MTZ50	MTZ64	MTZ72	MTZ80	MTZ100	MTZ125	MTZ160		
Temperature(°C)	-5°C ~ +5°C									
Refrigerant	R404A									
Power supply	380V/3Ph/50HZ									
Capacity & input	Evap -0°C	Cap(W)	8241	11530	14607	16355	18552	21973	28242	
		Input(KW)	2.83	3.93	5.02	5.6	6.6	7.3	9.3	12.36
	Evap -5°C	Cap(W)	6630	9084	11685	13123	14980	17556	22574	28602
		Input(KW)	2.6	3.7	4.7	5.23	6.1	6.9	8.7	11.5
Evap -10°C	Cap(W)	5245	7045	9182	10358	11887	13787	17760	22764	
	Input(KW)	2.5	3.5	4.4	4.8	5.6	6.5	8.1	10.7	
Pipe	Cooling water(m/h)	2	3	3.6	4	4.6	5.4	7	9	
	Gas dia. (mm)	16	22	22	28	28	28	28	28	
	Liquid dia. (mm)	10	12	16	16	16	16	16	16	
	Cooling water (inch)	1-1/4	1-1/2	1-1/2	1-1/2	1-1/2	2	2	2	
Overall dimension	A (mm)	830	930	1080	1080	1250	1290	1290	1290	
	B (mm)	340	370	370	370	370	370	450	450	
	C (mm)	595	715	715	715	715	860	915	915	

Model	MGM36S	MGM50S	MGM64S	MGM72S	MGM80S	MGM100S	MGM125S	MGM160S		
Compressor	MTZ36	MTZ50	MTZ64	MTZ72	MTZ80	MTZ100	MTZ125	MTZ160		
Temperature(°C)	-15°C ~ -20°C									
Refrigerant	R404A									
Power supply	380V/3Ph/50HZ									
Capacity & input	Evap -15°C	Cap(W)	3073	4013	5273	6054	6969	7937	10377	
		Input(KW)	2.0	2.9	3.6	3.9	4.6	5.4	6.7	8.8
	Evap -20°C	Cap(W)	2243	2931	3789	4425	5061	5730	7649	10192
		Input(KW)	1.8	2.6	3.1	3.5	4.1	4.8	6.0	7.9
Evap -25°C	Cap(W)	1554	2080	2566	3086	3466	3917	5457	7339	
	Input(KW)	1.5	2.3	2.7	3.0	3.6	4.1	5.2	6.8	
Pipe	Cooling water(m/h)	1	1.3	1.6	1.8	2.1	2.5	3.1	4.1	
	Gas dia. (mm)	16	22	22	28	28	28	28	28	
	Liquid dia. (mm)	10	12	12	16	16	16	16	16	
	Cooling water (inch)	1-1/4	1-1/4	1-1/4	1-1/2	1-1/2	1-1/2	1-1/2	2	
Overall dimension	A (mm)	740	740	830	930	930	1080	1080	1250	
	B (mm)	340	340	340	370	370	370	370	370	
	C (mm)	595	660	660	720	720	860	860	860	

Condensing temp. at 40°C

# Bitzer® CD Series Condensing Unit

## Nomenclature

CD-18 / 2GES-2Y

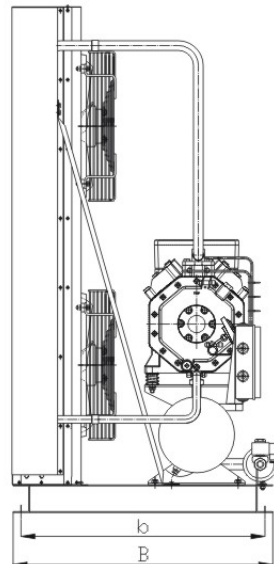
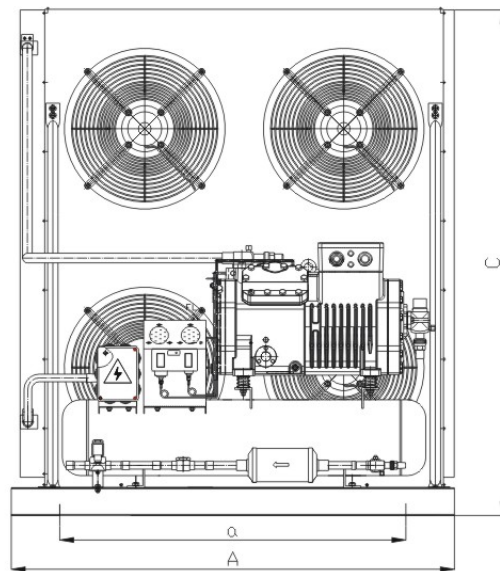
Compressor model

Condenser model: CD means air-cooled FWS means water-cooled



## Product Description

- Semi-Hermetic Bitzer compressor;
- Copper tube & aluminum fin type heat exchanger
- Or high efficient shell-tube water cooled condenser
- Low noise & high efficient Axial fan motor
- World famous brand refrigeration parts
- Water proof terminal box
- Use for widely application



## Air Cooled Medium & High Temperature Units

Model	CD22/2GES-2Y	CD22/2FES-2Y	CD28/2EES-2Y	CD33/2DES-2Y	CD43/2CES-3Y	CD48/4FES-3Y	
Compressor	2GES-2Y	2FES-2Y	2EES-2Y	2DES-2Y	2CES-3Y	4FES-3Y	
Temperature(°C)	-10°C ~ +5°C						
Refrigerant	R404A / R507A						
Power supply	380V / 3P / 50Hz						
Condenser	Fan qty	1	1	2	2	2	
	Supply voltage(v)	380	380	380	380	380	
Capacity & input	Fan input(w)	180×1	180×1	140×2	140×2	180×2	
	Evap -5°C	Cap(W)	4150	5130	6640	7950	10640
		Input(KW)	1.94	2.41	2.79	3.41	4.49
	Evap -10°C	Cap(W)	3400	4190	5430	6520	8710
		Input(KW)	1.81	2.25	2.56	3.13	4.17
	Evap -15°C	Cap(W)	2740	3380	4380	5270	7050
Input(KW)		1.66	2.06	2.31	2.84	3.82	
Pipe	Suction dia (mm)	Φ16	Φ16	Φ22	Φ22	Φ22	
	Liquid dia (mm)	Φ10	Φ10	Φ12	Φ12	Φ12	
Overall dimension	A (mm)	620	620	960	960	1300	
	B (mm)	650	650	680	680	750	
	C (mm)	560	560	460	510	670	
Mounting Size (A×B)(mm)	1260×410	580×350	920×380	920×380	1020×380	1260×410	

Model	CD55/4EES-4Y	CD70A/4DES-5Y	CD80A/4CES-6Y	CD100/4TES-9Y	CD130/4PES-12Y	CD150/4NES-14Y	
Compressor	4EES-4Y	4DES-5Y	4CES-6Y	4TES-9Y	4PES-12Y	4NES-14Y	
Temperature(°C)	-10°C ~ +5°C						
Refrigerant	R404A / R507A						
Power supply	380V / 3P / 50Hz						
Condenser	Fan qty	2	2	2	4	4	
	Supply voltage(v)	380	380	380	380	380	
Capacity & input	Fan input(w)	180×2	250×2	250×2	180×4	180×4	
	Evap -5°C	Cap(W)	13530	16170	19600	24700	33700
		Input(KW)	5.76	6.80	8.13	10.18	13.63
	Evap -10°C	Cap(W)	11070	13220	15990	20100	27300
		Input(KW)	5.34	6.30	7.51	9.28	12.48
	Evap -15°C	Cap(W)	8960	10700	12890	16090	21900
Input(KW)		4.87	5.75	6.82	8.32	11.23	
Pipe	Suction dia (mm)	28	28	28	35	42	
	Liquid dia (mm)	12	16	16	16	22	
Overall dimension	A (mm)	1300	1300	1280	1280	1350	
	B (mm)	750	750	710	710	800	
	C (mm)	770	870	910	1210	1410	
Mounting Size (A×B)(mm)	1260×410	1260×410	1000×665	1000×665	1000×705	1000×755	

Remark: 1) Condensing temp. 45°C ;  
2) Condenser will be separately installed for condensing units Cap. > 18Hp

Model	CDV180/4HE-18Y	CDV219/4GE-23Y	CDV270/6HE-28Y	CDV328/6GE-34Y	CDV383/6FE-44Y	
Compressor	4HE-18Y	4GE-23Y	6HE-28Y	6GE-34Y	6FE-44Y	
Temperature(°C)	-10°C ~ +5°C					
Refrigerant	R404A / R507A					
Power supply	380V / 3P / 50Hz					
Condenser	Fan qty	2	2	3	3	
	Supply voltage(v)	380	380	380	380	
Capacity & input	Fan input(w)	800×2	800×2	800×3	800×3	
	Evap -5°C	Cap(W)	45200	52200	64900	92400
		Input(KW)	18.39	22.0	27.0	37.7
	Evap -10°C	Cap(W)	37100	43000	52100	63800
		Input(KW)	16.89	20.1	24.9	30.1
	Evap -15°C	Cap(W)	30100	35100	41200	52300
Input(KW)		15.3	18.21	22.6	27.4	
Pipe	Suction dia (mm)	42	54	54	54	
	Liquid dia (mm)	22	22	28	28	
Overall dimension	A (mm)	1150	1150	1050	1050	
	B (mm)	570	570	600	600	
	C (mm)	860	852	910	910	
Mounting Size (A×B)(mm)	800×525	800×525	800×525	800×555	1000×600	
Condenser Size	A (mm)	1840	1840	2640	3040	
	B (mm)	980	980	1030	1030	
	C (mm)	1100	1100	1100	1100	

Remark: 1) Condensing temp. 45°C ;  
2) Condenser will be separately installed for condensing units Cap. > 18Hp

## Air Cooled Low Temperature Units

Model	CD15/2FES-2Y	CD18/2EES-2Y	CD22/2DES-2Y	CD28/2CES-3Y	CD33/4FES-3Y	CD36/4EES-4Y	
Compressor	2FES-2Y	2EES-2Y	2DES-2Y	2CES-3Y	4FES-3Y	4EES-4Y	
Temperature(°C)	-15°C ~ -30 °C						
Refrigerant	R404A / R507A						
Power supply	380V / 3P / 50Hz						
Condenser	Fan qty	1	1	1	2	2	
	Supply voltage(v)	380	380	380	380	380	
	Fan input(w)	140	180	180	140×2	140×2	
Capacity & Input	Evap -25°C	Cap(W)	1820	2370	2870	3630	4940
		Input(KW)	1.64	1.79	2.21	2.76	3.84
	Evap -30°C	Cap(W)	1330	1720	2110	2690	3690
		Input(KW)	1.42	1.53	1.89	2.39	3.32
	Evap -35°C	Cap(W)	920	1200	1480	1920	2680
		Input(KW)	1.19	1.26	1.58	2.03	2.8
Evap -40°C	Cap(W)	590	770	980	1300	1880	
	Input(KW)	0.97	1.01	1.27	1.67	2.3	
Pipe	Suction dia (mm)	16	22	22	22	28	
	Liquid dia (mm)	10	10	12	12	12	
Overall dimension	A (mm)	620	620	620	960	1060	
	B (mm)	650	650	650	680	680	
	C (mm)	510	560	560	460	620	
Mounting Size (A×B)(mm)	580×350	580×350	580×350	920×380	920×380	1020×380	

Model	CD43/4DES-5Y	CD48/4CES-6Y	CD70A/4TES-9Y	CD80A/4PES-12Y	CD100/4NES-14Y	
Compressor	4DES-5Y	4CES-6Y	4TES-9Y	4PES-12Y	4NES-14Y	
Temperature(°C)	-15°C ~ -30 °C					
Refrigerant	R404A / R507A					
Power supply	380V / 3P / 50Hz					
Condenser	Fan qty	2	2	2	4	
	Supply voltage(v)	380	380	380	380	
	Fan input(w)	180×2	180×2	250×2	250×2	
Capacity & Input	Evap -25°C	Cap(W)	5900	7040	8620	9500
		Input(KW)	4.55	5.36	6.35	6.88
	Evap -30°C	Cap(W)	4400	5220	6310	6830
		Input(KW)	3.94	4.61	5.38	5.74
	Evap -35°C	Cap(W)	3200	3760	4460	4710
		Input(KW)	3.34	3.89	4.46	4.64
Evap -40°C	Cap(W)	2250	2610	3000	3060	
	Input(KW)	2.76	3.2	3.61	3.62	
Pipe	Suction dia (mm)	28	28	35	35	
	Liquid dia (mm)	12	12	16	16	
Overall dimension	A (mm)	1060	1300	1280	1280	
	B (mm)	680	750	710	750	
	C (mm)	720	670	910	910	
Mounting Size (A×B)(mm)	800×525	1020×380	1260×410	1000×665	1000×665	

Remark: 1) Condensing temp. 45°C ;  
2) Condenser will be separately installed for condensing units Cap. > 18Hp

Model	CD130/4HE-18Y	CD150/4GE-23Y	CD180/6HE-28Y	CDV180/6GE-34Y	CDV219A/6FE-44Y
Compressor	4HE-18Y	4GE-23Y	6HE-28Y	6GE-34Y	6FE-44Y
Temperature(°C)	-15°C ~ -30°C				
Refrigerant	R404A / R507A				
Power supply	380V / 3P / 50Hz				
Condenser	Fan qty	4	4	4	2
	Supply voltage(v)	380	380	380	380
	Fan input(w)	180×4	180×4	180×4	800×2
Capacity & Input	Evap -25°C	Cap(W)	16690	19670	24600
		Input(KW)	12.0	14.27	17.69
	Evap -30°C	Cap(W)	12450	14820	18340
		Input(KW)	10.35	12.33	15.2
	Evap -35°C	Cap(W)	9000	10870	13260
		Input(KW)	8.75	10.46	12.75
Evap -40°C	Cap(W)	6220	7690	9170	
	Input(KW)	7.23	8.71	10.4	
Pipe	Suction dia (mm)	42	54	54	
	Liquid dia (mm)	22	22	22	
Overall dimension	A (mm)	1280	1350	1350	
	B (mm)	800	850	850	
	C (mm)	1460	1410	1410	
Mounting Size (A×B)(mm)	800×525	1000×755	1000×805	1000×805	
Condenser Size	A (mm)	---	---	1840	
	B (mm)	---	---	980	
	C (mm)	---	---	1100	

Remark: 1) Condensing temp. 45°C ;  
2) Condenser will be separately installed for condensing units Cap. > 18Hp

## Copeland® CD Series Condensing Unit

### Nomenclature

CD25 / ZB26KQ

Compressor model  
Condenser model : CD means air-cooled



### Product Description

- Copeland scroll compressor;
- Copper tube & aluminum fin type heat exchanger
- Low noise & high efficient Axial fan motor
- World famous brand refrigeration parts
- Use for widely application

## Midium & High Temperature Unit

Model	CD15/ZB15KQ	CD18/ZB19KQ	CD22/ZB21KQ	CD25/ZB26KQ	CD33/ZB29KQ	CD43/ZB38KQ	CD48/ZB45KQ	CD55/ZB48KQ
Temperature(°C)	-5°C ~ +5°C							
Refrigerant	R22							
Power supply	380/3P/50HZ							
Condenser	Fan Qty	1	1	1	1	2	2	2
	Fan Voltage(V)	380	380	380	380	380	380	380
	Fan Dia.(mm)	1×350	1×400	1×400	1×400	2×350	2×400	2×400
Capacity & Input	Evap -5°C	Cap(W)	3750	4600	5450	6410	7370	8690
		Input(W)	1840	2170	2500	2840	3190	3900
	Evap -7°C	Cap(W)	3450	4240	5040	5850	6670	7930
		Input(W)	1850	2170	2490	2860	3160	3900
	Evap -10°C	Cap(W)	3040	3740	4450	5210	5970	6880
		Input(W)	1870	2170	2480	2860	3160	3890
Pipe	Suction dia (mm)	19	19	19	19	22	22	
	Liquid dia (mm)	12	12	12	12	12	12	
Overall dimension	L (mm)	780	780	780	880	1010	1120	
	W (mm)	700	730	730	780	780	830	
	H (mm)	750	780	780	800	720	860	

Model	CD15/ZB15KQE	CD18/ZB19KQE	CD22/ZB21KQE	CD25/ZB26KQE	CD33/ZB29KQE	CD43/ZB38KQE	CD48/ZB45KQE	CD55/ZB48KQE
Temperature(°C)	-20°C ~ -10°C							
Refrigerant	R404A							
Power supply	380/3P/50HZ							
Condenser	Fan Qty	1	1	1	1	2	2	
	Fan Voltage(V)	380	380	380	380	380	380	
	Fan Dia.(mm)	1×350	1×400	1×400	1×400	2×350	2×400	
Capacity & Input	Evap -15°C	Cap(W)	2080	2640	3350	3640	4500	
		Input(W)	2180	2330	2830	3380	3790	
	Evap -20°C	Cap(W)	1560	2030	2650	3140	3550	
		Input(W)	2260	2330	2830	3380	3810	
	Evap -25°C	Cap(W)	1080	1510	2070	2640	2770	
		Input(W)	2320	2330	2830	3380	3820	
Pipe	Suction dia (mm)	19	19	19	19	22		
	Liquid dia (mm)	12	12	12	12	12		
Overall dimension	L (mm)	780	780	780	880	1010		
	W (mm)	700	730	730	780	780		
	H (mm)	750	780	780	800	720		

# Copeland® Semi Hermetic Scroll Condensing Unit



### Product Description

- Super-Silent operation;
- Running with no Vibration basically;
- High efficient of low temperature;

## Low Temperature Condensing Unit

Model	CD63/QF115AE	CD70/QF125AE	CD80/QF145AE	CD88/QF175AE	CD100/QF185AE	CD130/QF205AE	
Compressor	QF115AE	QF125AE	QF145AE	QF175AE	QF185AE	QF205AE	
Compressor nominal capacity	7.5HP	8.2HP	9HP	10HP	11.7HP	13.7HP	
Refrigerant	R404A						
Condenser fan	2×Φ400	4×Φ350	4×Φ350	4×Φ350	4×Φ400	4×Φ400	
Cooling Capacity	Evap -7°C	Capacity(W)	14.8	16.8	18.7	22.8	23.2
	Evap -12°C	Capacity(W)	12.5	14.3	15.9	19.2	19.8
	Evap -25°C	Capacity(W)	8.2	9.4	10.2	11.1	12.4
	Evap -32°C	Capacity(W)	6.1	7	7.8	8.1	9.3
Pipe	Liquid pipe(mm)	Φ25	Φ25	Φ25	Φ25	Φ25	Φ25
	Suction pipe(mm)	Φ28	Φ28	Φ28	Φ28	Φ28	Φ28
Overall Dimensions	L (mm)	1200	1370	1370	1200	1370	1370
	W (mm)	1000	1000	1000	1000	1000	1100
	H (mm)	850	1050	1150	1250	1350	1550

# Copeland® Hermetic Scroll Condensing Unit



### Product Description

- Copeland scroll compressor;
- Copper tube & aluminum fin type heat exchanger;
- Low noise & high efficient Axial fan motor;
- World famous brand refrigeration parts;
- Use for widely application;

## Medium & High Temperature Condensing Unit

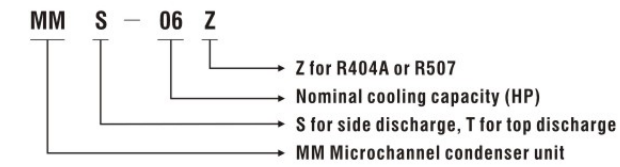
Model	SRG08MTY	SRG10MTY	SRG13MTY	SRG15MTY		
Temperature (°C)	+10°C ~ -5°C					
Refrigerant	R404A					
Power supply	380V/50HZ					
Compressor	ZB58KQE	ZB76KQE	ZB95KQE	ZB114KQE		
Condenser	Qty of fan	1	2	2		
	Air Volume (m³/h)	1×8720	2×6570	2×8720		
	Power of Fan (w)	1×600	2×450	2×600		
Capacity & Input power	Evap +5°C	Capacity(W)	19950	28300	32500	37300
		Input(KW)	7.67	9.55	12.85	15.85
	Evap -5°C	Capacity(W)	14650	20700	24000	27500
		Input(KW)	7.06	8.84	11.75	14.45
	Evap -12°C	Capacity(W)	11400	16150	18800	21400
		Input(KW)	6.69	8.41	11.1	13.65
Pipe	Liquid pipe	1/2"	5/8"	5/8"	5/8"	
	Suction pipe	1-1/8"	1-3/8"	1-3/8"	1-3/8"	
Overall Dimensions	L (mm)	850	1330	1480	1330	
	W (mm)	770	900	900	1000	
	H (mm)	1000	900	1000	1000	

# Danfoss® Scroll Condensing Unit

with microchannel condenser



### Nomenclature



### Product Description

- Danfoss scroll compressor;
- High efficiency microchannel condenser
- Low noise & high efficient Axial fan motor
- Original Danfoss refrigeration components
- Extraordinary cost-effectiveness performance

## Side discharge Danfoss unit (Air cooled)

Model	MMS-02Z	MMS-03Z	MMS-04Z	MMS-05Z	MMS-06Z	MMS-07Z		
Temperature(°C)	-18°C ~ +5°C							
Refrigerant	R404A/R507							
Power supply	380/3P/50HZ							
Compressor model	MLZ015T4	MLZ021T4	MLZ030T4	MLZ038T4	MLZ045T4	MLZ048T4		
Air flow(m³/h)	3200	3200	3500	3500	6200	6200		
Voltage (V)	220V/50Hz							
Fan Dia. (mm)	1×Φ450	1×Φ450	1×Φ480	1×Φ480	2×Φ420	2×Φ420		
Capacity & Input power	Evap -0°C	Cap(W)	4560	6231	9439	11495	13386	
		Input(KW)	1.95	2.5	3.6	4.3	5.1	5.57
	Evap -10°C	Cap(W)	3130	4324	6556	7943	9541	10323
		Input(KW)	2	2.55	3.6	4.25	5.12	5.58
	Evap -15°C	Cap(W)	2538	3705	5382	6394	7932	8601
		Input(KW)	2.05	2.6	3.65	4.2	5.13	5.6
Evap -20°C	Cap(W)	1995	3040	4512	5367	6370	6975	
	Input(KW)	2.1	2.6	3.65	4.25	5.15	5.68	
Evap -25°C	Cap(W)	1581	2500	3657	4230	5320	5605	
	Input(KW)	2.1	2.6	3.68	4.25	5.15	5.7	
Pipe	Suction dia (mm)	19	19	19	19	19	19	
	Liquid dia (mm)	10	10	10	10	12	12	
Overall Dimension(mm)	865×310×730	865×310×730	910×340×835	910×340×835	910×340×1080	910×340×1080		

Condensing temperature: +45°C

## Top discharge Danfoss unit (Air cooled)

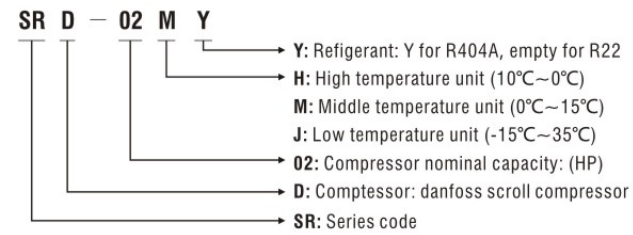
Model	MMT-03Z	MMT-04Z	MMT-05Z	MMT-06Z	MMT-08Z	MMT-10Z		
Temperature(°C)	-18°C ~ +5°C							
Refrigerant	R404A/R507							
Power supply	380/3P/50HZ							
Compressor model	MLZ021T4	MLZ030T4	MLZ038T4	MLZ045T4	MLZ058T4	MLZ076T4		
Condenser fan Air flow(m³/h)	4800	4800	4800	7000	7000	8500		
Condenser fan Voltage (V)	380V/50Hz							
Capacity & Input power	Evap -0°C	Cap(W)	6499	9643	11737	13822	18002	
		Input(KW)	2.5	3.6	4.3	5.22	6.62	8.65
	Evap -10°C	Cap(W)	4512	6768	8112	9744	12288	16732
		Input(KW)	2.55	3.6	4.25	5.18	6.67	8.5
	Evap -15°C	Cap(W)	3820	5557	6741	8099	9888	13872
		Input(KW)	2.5	3.6	4.2	5.15	6.72	8.45
Evap -20°C	Cap(W)	3104	4560	5367	6644	7954	11688	
	Input(KW)	2.5	3.6	4.2	5.12	6.77	8.39	
Evap -25°C	Cap(W)	2650	3875	3740	5450	6175	9168	
	Input(KW)	2.6	3.5	4.18	5.1	6.79	8.35	
Pipe	Suction dia (mm)	22	22	22	28	28	28	
	Liquid dia (mm)	12	12	12	16	16	16	
Overall Dimension(mm)	701×568×703	701×568×703	701×568×703	889×760×860	889×760×860	889×760×860		

Condensing temperature: +45°C



# Danfoss® SRD Series Condensing Unit

## Nomenclature

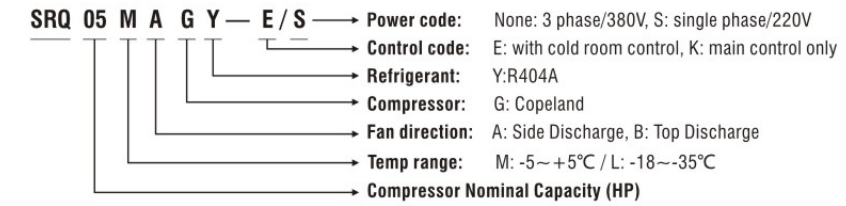


Model	Compressor Model	Refrigerant	Amb Temp (°C)	Capacity(watt)								
				Evaporating temperature(°C)								
				-25	-20	-15	-10	-5	0	5	7.2	10
SRD-02M	MLM015T4	R22	32	-	-	2779	3430	4038	4704	5416	5767	6213
			38	-	-	-	3222	3836	4410	5131	5466	5891
			43	-	-	-	-	3635	4116	4846	5164	5569
SRD-02MY	MLZ015T4	R404A	32	1905	2352	2876	3549	4178	4865	5743	5964	6430
			38	1515	2033	2623	3270	3894	4475	5207	5548	5979
			43	-	1750	2207	2702	3525	3992	4701	5008	5401
SRD-03M	MLM021T4	R22	32	-	-	4062	4828	5701	6665	7709	8214	8858
			38	-	-	-	4469	5398	6323	7328	7799	8447
			43	-	-	-	-	5095	5979	6948	7383	7987
SRD-03MY	MLZ021T4	R404A	32	3020	3593	4402	5192	6093	7087	8166	8689	9355
			38	3684	3265	3959	4783	5576	6463	7532	8009	8617
			43	-	2728	3491	4293	5095	5857	6798	7220	7757
SRD-04M	MLM030T4	R22	32	-	-	5826	7067	8430	9946	11498	12210	13117
			38	-	-	-	6651	7976	9407	10927	11627	12519
			43	-	-	-	-	7521	8868	10357	11045	11920
SRD-04MY	MLZ030T4	R404A	32	4417	5281	6030	7314	8725	10293	11899	12637	13575
			38	3798	4682	5666	6751	8095	9350	10794	11801	12706
			43	-	4350	5238	6132	7296	8502	9947	10714	11562
SRD-05M	MLM038T4	R22	32	-	-	6545	8118	9896	11759	13540	14347	15373
			38	-	-	-	7503	9292	10973	12923	13478	14438
			43	-	-	-	-	8787	10286	12206	12907	13801
SRD-05MY	MLZ038T4	R404A	32	5216	6200	7278	8905	10542	12170	14014	14849	15910
			38	4626	5600	6745	8115	9632	11338	13116	13881	14855
			43	-	5117	6200	7475	8715	10265	11936	12615	13482
SRD-06M	MLM045T4	R22	32	-	-	7849	9660	11661	13865	16201	17233	18548
			38	-	-	-	9032	11003	13033	15298	16303	17582
			43	-	-	-	-	10443	12199	14495	15372	16615
SRD-06MY	MLZ045T4	R404A	32	6176	7325	8859	10571	12465	14251	16866	17935	19295
			38	5697	6836	8131	9658	11265	13228	15527	16547	17845
			43	-	6206	7537	8717	10238	11932	14062	15009	16215

Note: Rated condition: 50HZ, Suction temperature: 20°C, The liquid is supercooled

# Copeland® SRQ Series Condensing Unit

## Nomenclature



## Product Description

- Copeland scroll compressor and electrical control inside;
- All kinds of cold room control is available base on customer's requirement;
- Condenser fan speed regulator(optional);
- Real-time operating parameter shown on the control panel(optional);
- With system alarm function(optional);

## Middle & High Temperature Condensing Unit (Refrigerant R404A)

Model	SRQ02MAGY-E	SRQ03MAGY-E	SRQ04MAGY-E	SRQ05MAGY-E	SRQ06MAGY-E	SRQ07MAGY-E	SRQ08MAGY-E	SRQ09MAGY-E	SRQ10MAGY-E	SRQ13MAGY-E	SRQ15MAGY-E	
Room Temperature	-15°C ~ +5 °C											
Refrigerant	R404A											
Power supply	380V/3Ph/50 HZ											
Compressor Model	ZB15KQE	ZB21KQE	ZB29KQE	ZB38KQE	ZB45KQE	ZB48KQE	ZB58KQE	ZB66KQE	ZB76KQE	ZB95KQE	ZB114KQE	
Condenser	Fan Qty	1	1	1	2	2	2	1	1	1	2	
	Fan Voltage(V)	220	220	220	220	220	220	380	380	380	380	
Capacity & Input	Fan Input(W)	120	120	120	120×2	120×2	120×2	550	550	550	460×2	
	Evap -5°C	Cap(W)	3820	5740	7840	9720	11450	13270	15250	17150	20300	25000
		Input(W)	1760	2500	3320	4200	4790	5243	6320	7090	8200	10500
	Evap -10°C	Cap(W)	3070	4680	6370	7910	9310	11047	12350	14000	16600	20000
		Input(W)	1820	2510	3350	4200	4810	5265	6310	7080	8200	10500
	Evap -15°C	Cap(W)	2430	3780	5120	6380	7510	9114	9750	11300	13350	16000
Input(W)		1880	2520	3370	4200	4820	5277	6310	7060	8100	10500	
Evap -20°C	Cap(W)	1860	3010	4070	5090	6000	7442	7420	8990	10550	12200	
	Input(W)	1930	2520	3390	4190	4810	5280	6310	7030	8000	10600	
Evap -25°C	Cap(W)	1370	2370	3200	4010	4730	5200	5250	7030	8110	9000	
	Input(W)	1980	2520	3390	4180	4790	5900	6310	6950	7930	10750	
Pipe	Gas dia (mm)	Φ19	Φ19	Φ19	Φ19	Φ19	Φ19	Φ28	Φ28	Φ28	Φ28	
	Liquid dia (mm)	Φ10	Φ10	Φ12	Φ12	Φ12	Φ12	Φ16	Φ16	Φ16	Φ16	
Overall sizes	L (mm)	1020	1020	1020	1020	1020	1020	967	967	967	1354	
	W (mm)	420	420	420	420	420	420	825	825	825	825	
	H (mm)	840	840	840	1240	1240	1240	1035	1035	1035	1025	
Instal sizes(A×B)(mm)	580×380	580×380	580×380	580×380	580×380	580×380	570×785	570×785	570×785	900×785	900×785	

Remark: 1) Cooling capacity at condensing Temp. 45°C 2) 220V/50Hz power is available for 2HP~4HP units.  
3) The matched evaporators for these units should be equipped with 220V single phase fan motor.

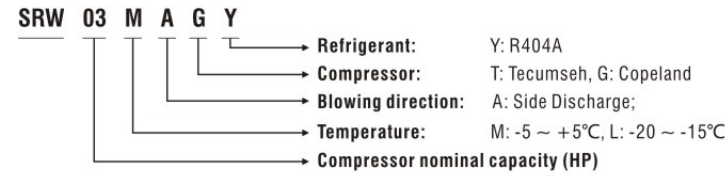
## Low Temperature Condensing Unit (Refrigerant R404A)

Model	SRQ02LAGY-E	SRQ03LAGY-E	SRQ04LAGY-E	SRQ05LBY-E	SRQ06LBY-E	SRQ08LBY-E	SRQ10LBY-E	SRQ13LBY-E	SRQ15LBY-E	
Room Temperature	-18°C ~ -35 °C									
Refrigerant	R404A									
Power supply	380V/3Ph/50 HZ									
Compressor Model	ZF06KQE	ZF09KQE	ZF13KQE	ZF15KQE	ZF18KQE	ZF25KQE	ZF34KQE	ZF41KQE	ZF49KQE	
Condenser	Fan Qty	1	1	1	1	1	1	1	1	
	Fan Voltage(V)	220	220	220	220	220	220	220	220	
Capacity & Input	Fan Input(W)	100	100	160	250	250	460	550	550	
	Evap -25°C	Cap(W)	1750	2400	3450	4220	5140	6370	8750	10850
		Input(W)	1640	2030	2740	3400	4010	5360	7060	8920
	Evap -30°C	Cap(W)	1410	1910	2730	3350	4090	5080	6950	8640
		Input(W)	1590	1990	2650	3250	3880	5130	6700	8490
	Evap -35°C	Cap(W)	1110	1500	2140	2630	3220	3970	5430	6740
Input(W)		1550	1960	2580	3110	3760	4880	6310	8060	
Evap -40°C	Cap(W)	850	1160	1660	2020	2500	2980	4140	5090	
	Input(W)	1510	1960	2510	2950	3650	4620	5910	7620	
Pipe	Gas dia (mm)	3/4SAE	3/4SAE	3/4SAE	Φ22	Φ22	Φ28	Φ28	Φ28	
	Liquid dia (mm)	3/8SAE	3/8SAE	3/8SAE	Φ12	Φ12	Φ12	Φ16	Φ16	
Overall sizes	L (mm)	1175	1175	1175	967	967	967	967	967	
	W (mm)	530	530	530	675	675	675	825	825	
	H (mm)	635	635	635	815	815	815	1035	1035	
Instal sizes(A×B)(mm)	800×450	800×450	800×450	570×635	570×635	570×635	570×785	570×785	570×785	

Remark: 1) Cooling capacity at ambient Temp. 32°C 2) The matched evaporators for these units should be equipped with 220V single phase fan motor.

# SRW Series Condensing Unit

## Nomenclature



## Product Description

- Copeland or Tecumseh compressor inside;
- Compact housing construction for easy installation;
- High efficient and low noise 6-pole condenser fan motor;
- Condensing fan motor control available for dual-fans unit;
- World famous refrigeration components;
- Multi protection functions are available.

## Copeland ZB Scroll Condensing Unit

Model	SRW02MAGY	SRW03MAGY	SRW04MAGY	SRW05MAGY	SRW06MAGY	SRW07MAGY	SRW08MAGY	
Room Temperature	+5°C ~ -15 °C							
Refrigerant	R404A							
Power supply	380V/50HZ							
Comp	Scroll compressor							
	Type	ZB15KQE	ZB21KQE	ZB29KQE	ZB38KQE	ZB45KQE	ZB58KQE	
Con fan	Max current (A)	6.0	8.0	11.0	12.5	16.1	23.0	
Con fan	Fan number	1	1	2	2	2	2	
	Air flow (m <sup>3</sup> /h)	3200	4600	6400	9200	9200	10580	
	Fan power (W)	100	160	100×2	160×2	160×2	230×2	
Capacity & Input power	Fan voltage							
	220V/50HZ							
	Evap 0°C	Cap(W)	4760	7000	9480	11950	14000	18600
		Input (W)	1720	2480	3300	4150	4700	6400
	Evap -5°C	Cap(W)	3820	5740	7800	9830	11500	15300
		Input (W)	1760	2500	3300	4200	4730	6360
	Evap -10°C	Cap(W)	3080	4680	6360	8000	9380	12400
		Input (W)	1820	2510	3330	4200	4750	6320
	Evap -15°C	Cap(W)	2430	3780	5130	6480	7580	9840
		Input (W)	1880	2510	3330	4210	4760	6320
Evap -20°C	Cap(W)	1870	3020	4100	5170	6050	7520	
	Input (W)	1930	2520	3340	4210	4770	6360	
Pipe	Gas (inch)	3/4SAE	3/4SAE	7/8SAE	7/8SAE	7/8SAE	1-1/8ODF	
	Liquid (inch)	3/8SAE	3/8SAE	1/2SAE	1/2SAE	1/2SAE	5/8ODF	
Size Drawing	NO.2	NO.2	NO.3	NO.3	NO.3	NO.4	NO.4	

Cooling capacity at condensing temp 45°C

## Copeland ZF Scroll Low Temperature Condensing Unit

Model	SRW02LAGY	SRW03LAGY	SRW04LAGY	SRW05LAGY	SRW06LAGY	SRW08LAGY	SRW10LAGY	SRW13LAGY		
Room Temperature	-18°C ~ -35 °C									
Refrigerant	R404A									
Power supply	380V/3 Phase/50 HZ									
Comp	Scroll compressor									
	Type	ZF06KQE	ZF09KQE	ZF13KQE	ZF15KQE	ZF18KQE	ZF25KQE	ZF34KQE	ZF41KQE	
Con fan	Max current (A)	5	6	8	10	12.5	16.1	22.6	25.1	
	Fan number	1	1	1	2	2	2	2	2	
	Air flow (m <sup>3</sup> /h)	3200	3200	4600	6400	9200	9200	10580	10580	
	Fan power (W)	100	100	160	100×2	160×2	160×2	230×2	230×2	
Capacity & Input power	Fan voltage									
	220V/50HZ									
	Evap -25°C	Cap(W)	1750	2400	3450	4730	5560	6370	8750	10850
		Input (W)	1640	2030	2740	3410	4240	5360	7060	8920
	Evap -30°C	Cap(W)	1410	1910	2730	3820	4470	5080	6950	8640
		Input (W)	1590	1990	2650	3310	4140	5130	6700	8490
	Evap -35°C	Cap(W)	1110	1500	2140	3050	3550	3970	5430	6740
		Input (W)	1550	1960	2580	3210	4060	4880	6310	8060
	Evap -40°C	Cap(W)	850	1160	1660	2410	2780	2980	4140	5090
		Input (W)	1510	1960	2510	3120	3990	4620	5910	7620
Pipe	Gas (inch)	3/4SAE	3/4SAE	3/4SAE	7/8SAE	7/8SAE	7/8SAE	1-1/8ODS	1-1/8ODS	
	Liquid (inch)	3/8SAE	3/8SAE	3/8SAE	1/2SAE	1/2SAE	1/2SAE	5/8ODS	5/8ODS	
Size Drawing	NO.2	NO.2	NO.2	NO.3	NO.3	NO.3	NO.4	NO.4		

Cooling capacity at condensing temp 45°C

## Tecumseh Compressor High Temperature Condensing Unit

Model	SRW0.6MATY	SRW0.1MATY	SRW1.7MATY	SRW0.2MATY	SRW0.3MATY		
Room Temperature	-5°C ~ +5 °C						
Refrigerant	R404A						
Power supply	220V/50HZ			380V/50HZ			
Comp	Hermetic compressor						
	Type	CAJ9480Z	CAJ9510Z	CAJ4519Z	TFH4524Z	TFH4531Z	
Con fan	Max current (A)	6.6	8.0	15.4	6.3	8.2	
	Fan number	1	1	1	1	1	
	Air flow (m <sup>3</sup> /h)	1700	1700	1700	3200	3200	
	Fan power (W)	80	80	80	100	100	
Cap. & Input	Fan voltage						
	220V/50HZ						
	Evap 0°C	Cap(W)	1874	2310	4070	4830	6143
		Input (W)	820	980	1850	2090	2610
	Evap -5°C	Cap(W)	1553	1924	3340	3890	4990
		Input (W)	760	910	1720	1920	2385
Evap -10°C	Cap(W)	1266	1572	2700	3050	3970	
	Input (W)	700	840	1590	1740	2150	
Pipe	Gas (inch)	1/2SAE	5/8SAE	5/8SAE	5/8SAE	7/8SAE	
	Liquid (inch)	3/8SAE	3/8SAE	3/8SAE	3/8SAE	3/8SAE	
Size Drawing	NO.1	NO.1	NO.1	NO.2	NO.2		

Condensing temp: 45°C.

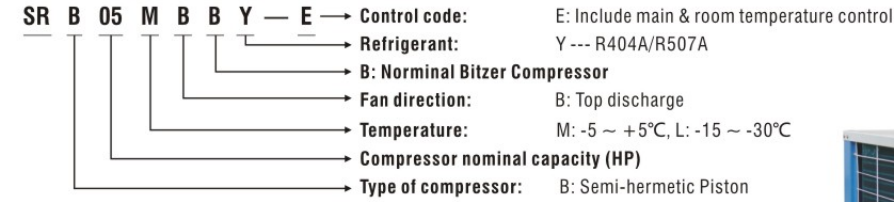
## Tecumseh Compressor Low Temperature Condensing Unit

Model	SRW0.1LATY	SRW1.5LATY	SRW0.2LATY	SRW0.3LATY		
Room Temperature	-15°C ~ -20 °C					
Refrigerant	R404A					
Power supply	220V/50HZ		380V/50HZ			
Comp	Hermetic compressor					
	Type	CAJ2446Z	CAJ2464Z	TFH2480Z	TFH2511Z	
Con fan	Max current (A)	7.9	10.0	4.8	5.0	
	Fan number	1	1	1	1	
	Air flow (m <sup>3</sup> /h)	1700	1700	3200	4600	
	Fan power (W)	80	80	100	160	
Capacity & Input	Fan voltage					
	220V/50HZ					
	Evap -20°C	Cap(W)	1296	1673	2416	3348
		Input (W)	950	1250	1837	2312
	Evap -25°C	Cap(W)	1005	1300	1865	2518
		Input (W)	837	1100	1585	1960
	Evap -30°C	Cap(W)	755	990	1347	1817
		Input (W)	723	955	1326	1635
	Pipe	Gas (inch)	1/2SAE	5/8SAE	5/8SAE	5/8SAE
		Liquid (inch)	3/8SAE	3/8SAE	3/8SAE	3/8SAE
Size Drawing	NO.1	NO.1	NO.2	NO.2		

Cooling capacity at condensing temp 45°C

# Bitzer® SRB Series Condensing Unit

## Nomenclature



## Product Description

- Widely application for all kinds of coldroom
- System with alarm function
- Copper tube & aluminum fin type heat exchanger
- Low noise & high efficient axial fan motor
- Condenser fan speed could be adjusted according to condensing temperature
- Real-time system data could be recognized from the control panel screen
- Including main control & temperature control

## Middle & High Temperature Condensing Unit

Model	SRB02MBBY-E	SRB03MBBY-E	SRB04MBBY-E	SRB05MBBY-E	SRB06MBBY-E	SRB09MBBY-E	SRB12MBBY-E	SRB14MBBY-E	SRB18MBBY-E	SRB23MBBY-E		
Temperature (°C)	-5°C ~ +5°C											
Refrigerant	R404A/R507A											
Power supply	380V/3P/50Hz											
Compressor	2DES-2Y	2CES-3Y	4EES-4Y	4DES-5Y	4CES-6Y	4TES-9Y	4PES-12Y	4NES-14Y	4HE-18Y	4GE-23Y		
Condenser	Fan Qty	1	1	1	1	2	2	2	2	2		
	Fan Voltage(V)	220	220	220	220	220	220	220	220	220		
	Fan Input(W)	240	240	460	460	550	460×2	460×2	550×2	780×2	780×2	
Capacity & Input	Evap -5°C	Capacity(W)	7950	9800	13530	16170	19600	24700	33700	45200	52200	
		Input(KW)	3.41	4.16	5.76	6.8	8.13	10.18	11.29	13.63	18.39	22.0
	Evap -10°C	Capacity(W)	6520	8070	11070	13220	15990	20100	22800	27300	37100	43000
		Input(KW)	3.13	3.84	5.34	6.3	7.51	9.28	10.27	12.48	16.89	20.1
Evap -15°C	Capacity(W)	5270	6560	8960	10700	12890	16090	18130	21900	30100	35100	
	Input(KW)	2.84	3.5	4.87	5.75	6.82	8.32	9.17	11.23	15.3	18.21	
Pipe	Gas dia (mm)	22	22	28	28	28	35	35	42	54		
	Liquid dia (mm)	12	12	12	12	12	16	16	22	22		
Overall sizes	L (mm)	967	967	967	967	967	1354	1354	1870	1870		
	W (mm)	675	675	825	825	825	825	825	925	925		
	H (mm)	815	815	1035	1035	1035	1235	1235	1235	1235		
Mounting Sizes(A×B)(mm)	570×635	570×635	570×785	570×785	570×785	900×785	900×785	755×885	755×885	755×885		

Testing condition: 1) Ambient Temp. 32°C, condensing temp. 45°C;  
 2) Power supply for matched evaporator fan should be 220V AC.

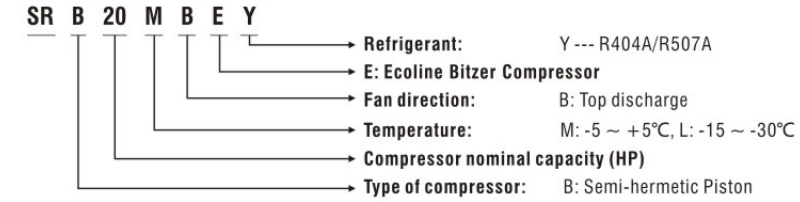
## Low Temperature Condensing Unit

Model	SRB04LBBY-E	SRB05LBBY-E	SRB06LBBY-E	SRB09LBBY-E	SRB12LBBY-E	SRB14LBBY-E	SRB18LBBY-E	SRB23LBBY-E	SRB28LBBY-E	SRB34LBBY-E	
Temperature (°C)	-15°C ~ -30°C										
Refrigerant	R404A/R507A										
Power supply	380V/3P/50Hz										
Compressor	4EES-4Y	4DES-5Y	4CES-6Y	4TES-9Y	4PES-12Y	4NES-14Y	4HE-18Y	4GE-23Y	6HE-28Y	6GE-34Y	
Condenser	Fan Qty	1	1	1	1	1	2	2	2	2	
	Fan Voltage(V)	220	220	220	220	220	220	220	220	220	
	Fan Input(W)	240	240	240	550	550	460×2	460×2	550×2	780×2	
Capacity & Input	Evap -25°C	Capacity(W)	4940	7040	8620	9500	11700	7040	16690	19670	24600
		Input(KW)	3.84	5.36	6.35	6.88	8.58	5.36	12.0	14.27	17.69
	Evap -30°C	Capacity(W)	3690	5220	6310	6830	8550	5220	12450	14820	18340
		Input(KW)	3.32	4.61	5.38	5.74	7.24	4.61	10.35	12.33	15.2
Evap -35°C	Capacity(W)	2680	3760	4460	4710	6030	3760	9000	10870	13260	
	Input(KW)	2.8	3.89	4.46	4.64	5.94	3.89	8.75	10.46	12.75	
Evap -40°C	Capacity(W)	1880	2610	3000	3060	4060	2610	6220	7690	9170	
	Input(KW)	2.3	3.2	3.61	3.62	4.72	3.2	7.23	8.71	10.4	
Pipe	Gas dia (mm)	28	28	28	35	35	35	42	42	54	
	Liquid dia (mm)	12	12	12	16	16	22	22	22	22	
Overall sizes	L (mm)	967	967	967	967	967	1354	1354	1870	1870	
	W (mm)	675	675	675	825	825	825	825	925	925	
	H (mm)	815	815	815	1235	1235	1235	1235	1235	1235	
Mounting Sizes(A×B)(mm)	570×635	570×635	570×635	570×785	570×785	570×785	900×785	900×785	755×885	755×885	

Testing condition: 1) Ambient Temp. 32°C, condensing temp. 45°C;  
 2) Power supply for matched evaporator fan should be 220V AC.

# Bitzer® SRB Series Condensing Unit (V Type Condenser)

## Nomenclature



## Product Description

- Widely application for all kinds of coldroom
- System with alarm function
- V type copper tube & aluminum fin heat exchanger
- Low noise & high efficient axial fan motor
- Condenser fan speed could be adjusted according to condensing temperature
- Real-time system data could be recognized from the control panel screen
- Including main control & temperature control

## Medium & High Temperature Condensing Unit

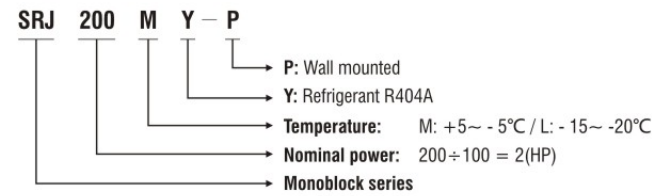
Model	SRB20MBEY	SRB25MBEY	SRB30MBEY	SRB35MBEY	SRB40MBEY	SRB50MBEY	
Temperature (°C)	+10°C ~ -10°C						
Refrigerant	R404A						
Power supply	380V/50HZ						
Compressor	4NES-20Y	4HE-25Y	4GE-30Y	6HE-35Y	6GE-40Y	6FE-50Y	
Condenser	Qty of fan	2	2	2	3	3	
	Air Volume(m3/h)	2×12200	2×15000	2×19000	3×13200	3×15000	
	Power of Fan(w)	2×800	2×750	2×1100	3×550	3×750	
Capacity & Input	Evap +5°C	Capacity(W)	41600	60900	65900	81600	100300
		Input(KW)	18.05	22.3	26.9	34.4	38.6
	Evap -0°C	Capacity(W)	36000	52200	57900	70800	76400
		Input(KW)	15.85	20.6	25	31.8	38.3
Evap -15°C	Capacity(W)	21700	30300	36100	43150	48200	
	Input(KW)	12.15	15.85	18.85	25.2	27.5	
Pipe	Liquid pipe	3/4"	3/4"	3/4"	7/8"	7/8"	
	Suction pipe	1-5/8"	2-1/8"	2-1/8"	2-1/8"	2-1/8"	
Overall Dimensions	L (mm)	1750	1900	2250	2650	2950	
	W (mm)	1000	1175	1175	1175	1175	
	H (mm)	1900	1980	1980	1980	1980	

## Low Temperature Condensing Unit

Model	SRB18LBEY	SRB23LBEY	SRB28LBEY	SRB34LBEY	SRB44LBEY
Temperature (°C)	-10°C ~ -25°C				
Refrigerant	R404A				
Power supply	380V/50HZ				
Compressor	4HE-18Y	4GE-23Y	6HE-28Y	6GE-34Y	6FE-44Y
Condenser	Qty of fan	2	2	2	2
	Air Volume(m3/h)	2×8720	2×10820	2×10820	2×15000
	Power of Fan(w)	2×600	2×780	2×780	2×750
Capacity & Input	Evap -15°C	Capacity(W)	25300	28800	31600
		Input(KW)	16.7	19.8	25.4
	Evap -25°C	Capacity(W)	13250	17200	22400
		Input(KW)	9.56	12.8	14.05
Evap -30°C	Capacity(W)	10350	13600	18100	
	Input(KW)	8.4	11.05	16.2	
Pipe	Liquid pipe	5/8"	3/4"	3/4"	
	Suction pipe	1-5/8"	2-1/8"	2-1/8"	
Overall Dimensions	L (mm)	1430	1470	1900	
	W (mm)	1000	1000	1175	
	H (mm)	1080	1180	1780	

## Wall mounted Mono-Block Unit

### Nomenclature



### Product Description

- ◆ With the compact body Monoblock unit is easy to be installed in the cold room;
- ◆ Maneurop compressor, Tecumseh compressor or other famous brand compressor inside;
- ◆ Top quality components equipped in the system to make sure the unit runs well all the time;
- ◆ Comprehensive protection devices offer the over loading, sub-heating, lack of phase, hi-low pressure protection etc.

## High Temperature Unit

Model	SRJ33MY-P	SRJ50MY-P	SRJ63MY-P	SRJ100MY-P	SRJ125MY-P	SRJ175MY-P	SRJ200MY-P	SRJ275MY-P	SRJ350MY-P
Cooling capacity (W)	530	810	1050	1560	2230	2950	3250	4400	5200
Input (KW)	0.68	0.85	1.1	1.3	1.75	2.52	2.61	3.33	4.2
Power Supply	220V/1ph/50HZ						380V/3ph/50HZ		
Temp (°C)	-5°C ~ +5°C								
Cond.fan (W)	1×75	1×75	1×75	1×80	1×80	1×155	1×155	2×80	2×80
Evap.fan (W)	1×75	1×75	1×75	1×80	1×80	1×155	1×155	2×80	2×80
Overall size (mm)	490×1000×730	490×1000×730	490×1000×730	620×1020×765	620×1020×765	800×1020×805	800×1020×805	1090×1020×805	1090×1020×805
Defrosting	Electric defrosting								
Throttle type	Expansion valve								
Refrigerant	R404A								

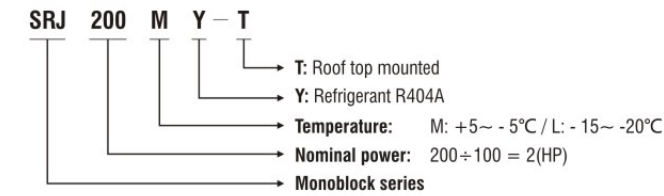
## Low Temperature Unit

Model	SRJ50LY-P	SRJ63LY-P	SRJ100LY-P	SRJ150LY-P	SRJ200LY-P	SRJ300LY-P	SRJ400LY-P
Cooling capacity (W)	550	660	750	1050	1580	2060	3100
Input (KW)	0.63	0.71	1.04	1.35	2.01	2.63	3.26
Power Supply	220V/1ph/50HZ				380V/3ph/50HZ		
Temp (°C)	-18°C ~ -20°C						
Cond.fan (W)	1×75	1×75	1×80	1×80	1×155	1×155	2×80
Evap.fan (W)	1×75	1×75	1×80	1×80	1×155	1×155	2×80
Overall size (mm)	490×1050×730	490×1050×730	620×1070×765	620×1070×765	800×1070×805	800×1070×805	1090×1070×805
Defrosting	Electric defrosting						
Throttle type	Expansion valve						
Refrigerant	R404A						

Remarks: SRJ\*\*MY-P --- Testing Evaporating temp: -7°C, Condensing temp: 45°C,  
SRJ\*\*LY-P --- Evaporating temp: -25°C, Condensing temp: 45°C

## Roof Top Mono-Block Unit

### Nomenclature



### Product Description

Monoblock Unit is a completed refrigeration system which integrated Evaporator, Condenser, Compressor, and Electrical Control into a compact body. It was widely used for hotel, restaurant, medicine, agricultural, and chemical industry where the small cold room with the request room temperature +5 ~ -5°C, and -15 ~ -20°C was needed.

## High Temperature Unit

Model	SRJ50MY-T	SRJ63MY-T	SRJ100MY-T	SRJ125MY-T	SRJ175MY-T	SRJ275MY-T	SRJ350MY-T
Cooling capacity (W)	810	1050	1560	2230	2950	4400	5200
Input (KW)	0.85	1.1	1.3	1.75	2.52	3.33	4.2
Power Supply	220V/1P/50HZ				380V /50HZ		
Temp (°C)	0°C ~ +5°C						
Cond.fan (W)	1×75	1×75	1×80	1×80	1×80	2×80	2×80
Evap.fan (W)	1×75	1×75	1×80	1×80	1×80	2×80	2×80
Overall size (mm)	580×1031×371	580×1031×371	760×1251×471	760×1251×471	760×1251×471	1140×1251×471	1140×1251×471
Defrost type	Hot gas						
Throttle type	Expansion valve						
Refrigerant	R404A						

## Low Temperature Unit

Model	SRJ50LY-T	SRJ63LY-T	SRJ100LY-T	SRJ150LY-T	SRJ200LY-T	SRJ300LY-T
Cooling capacity (W)	550	660	750	1050	1580	2060
Input (KW)	0.63	0.71	1.04	1.35	2.01	2.63
Power Supply	220V/1P/50HZ			380V /50HZ		
Temp (°C)	-18°C ~ -20°C					
Cond.fan (W)	1×75	1×75	1×80	1×80	1×80	2×80
Evap.fan (W)	1×75	1×75	1×80	1×80	1×80	2×80
Overall size (mm)	580×1031×371	580×1031×371	760×1251×471	760×1251×471	760×1251×471	1140×1251×471
Defrost type	Hot gas					
Throttle type	Expansion valve					
Refrigerant	R404A					

Remarks: SRJ\*\*MY-T --- Testing Evaporating temp: -7°C, Condensing temp: 45°C,  
SRJ\*\*LY-T --- Evaporating temp: -25°C, Condensing temp: 45°C

# Ice Flake Machine

## Product Description

- Energy-efficient Micro-Channel condenser
- Bitzer Compressor
- Flake ice temperature: -5 ~ -8°C
- Flake ice thickness: 1.8 ~ 2.5mm
- Flake ice clean & dry, ensure effect of food preservation
- Use for widely application



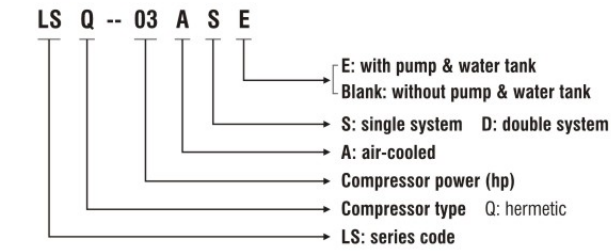
Model	GM-035K	GM-04K	GM-05K	GM-06K	GM-08K	GM-10K
Temperature	-20°C					
Refrigerant	R404A / R507A					
Power supply	380V / 3P / 50Hz					
Condenser	Air-cooled					
Ice cap. (kg/day)	350	400	500	600	800	1000
Storage cap. (kg)	200	300	300	300	300	300
Cooling cap. (kcal/h)	1961	2241	2801	3362	4482	5603
Power(kw)	2.4	2.4	2.4	2.9	3.4	4.0
Unit size(mm)	L (mm)	1142	1225	1225	1225	1225
	W (mm)	740	740	740	740	740
	H (mm)	724	724	724	724	724
Ice storage size(mm)	L (mm)	1050	1135	1135	1135	1135
	W (mm)	970	1030	1030	1030	1030
	H (mm)	900	1050	1050	1050	1050
Net weight(kg)	170	190	190	191	193	197

Model	GM-12K	GM-15K	GM-20K	GM-25K	GM-30K	
Temperature	-20°C					
Refrigerant	R404A / R507A					
Power supply	380V / 3P / 50Hz					
Condenser	Air-cooled					
Ice cap. (kg/day)	1200	1500	2000	2500	3000	
Storage cap. (kg)	400	400	500	500	1350	
Cooling cap. (kcal/h)	6724	8405	11206	13541	16810	
Power(kw)	4.8	6.2	7.7	8.8	11.2	
Unit size(mm)	L (mm)	1411	1410	1604	1610	1500
	W (mm)	980	980	1100	1100	1150
	H (mm)	920	946	1016	1246	1246
Ice storage size(mm)	L (mm)	1320	1320	1510	1510	1800
	W (mm)	980	980	1100	1100	1500
	H (mm)	1200	1200	1300	1300	1800
Net weight(kg)	302	322	397	491	585	

Standard condition: 1) Ambient temperature @ 25°C  
2) Water temperature @ 16°C

# Air-cooled Chiller

## Nomenclature



We design and build complete commercial and industrial chiller systems. Our air-cooled chillers are an effective all-in one package that is easy to install and easy to own. Chillers cost less to purchase and install, and operate quietly and efficiently.

We offers a variety of air-cooled chillers for a wide range process cooling applications, you can choose chilled water capacity and water discharge temperature, different refrigerant apply ( R22, R404a, R407C, R134a ). The chillers are available with or without pump tanks.

For more information about our air-cooled chillers, please kindly contact us.

Specification	Model	LSQ Series									
		03ASE	05ASE	08ASE	10ASE	12ASE	15ASE	20ADE	25ADE	30ADE	30ADE
Capacity	kw	8.3	13.7	22.1	29.5	34.0	44.1	59.0	68.0	88.2	120
	10 <sup>3</sup> kcal/h	7.1	11.8	19.0	25.4	29.2	37.9	50.7	58.5	75.9	103.2
Power(kw)		3.1	5.0	7.4	9.7	11.9	15.3	19.4	23.7	30.6	40.5
Electric Current(A)		5.7	9.7	14.3	18.2	22.1	28.8	38.3	47.3	59.6	64.2
Compressor	Qty	1	1	1	1	1	1	2	2	2	2
	Power (kw)	2.55	3.96	6.11	8.06	9.9	12.39	16.1	19.8	24.8	34.10
	Current (A)	4.39	7.69	11.41	14.86	18.25	22.70	29.7	36.5	45.4	49.60
Refrigerant	Type	R22 (Optional: R134a, R404A, R407c)									
	Control mode	Thermal expansion valve									
Fan	Power (kw)	0.2	0.45	0.5	0.9	1.2	1.4	1.7	2.2	3.12	4.2
	Current (A)	0.6	0.9	1.4	1.8	2.3	2.9	5.4	7.6	9.6	10.0
	Type	Centrifugal pump									
Pump	Power (kw)	0.37	0.55	0.75	0.75	0.75	1.50	1.50	1.50	2.20	2.20
	Current (A)	0.75	1.1	1.5	1.5	1.5	3.2	3.2	3.20	4.6	4.6
	Pressure head (mH <sub>2</sub> O)	15	20	22	20	17	25	24	18	22	22
Condenser		Copper tube & aluminum fin type heat exchanger									
Evaporator	Liquid Pipe (mm)	DN25			DN40		DN50		DN65		
	Water flow (L/min)	23.7	39.3	63.4	84.6	97.5	126.4	169.1	194.9	252.8	344.0
Water tank	Volume (L)	65	75	140	140	150	250	325	325	370	400
	Fill, discharge, overflow port	DN20									
Overall size	L (mm)	1060	1060	1520	1620	1720	1810	2020	2270	2300	2600
	W (mm)	770	770	850	850	900	975	1010	1150	1450	1600
	H (mm)	1340	1450	1550	1600	1600	1730	1950	1990	1750	1850
Weight (kg)		220	236	320	372	435	610	750	850	950	1050

1. Designed condition: Chilled water in/out 12/7°C, ambient temperature: 35°C;
2. Suitable chilled water temperature: 9~25°C;
3. Power supply: 3PH-380V-50Hz, voltage allowance: ±10% voltage dif between the phase: ±2%;
4. The date above is for R22, contact us for R134a,R407C and other refrigerant;
5. There may be change for improvement without notice, confirm always before your order.

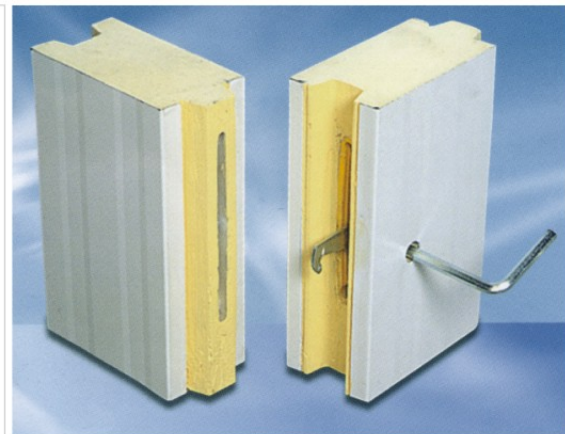
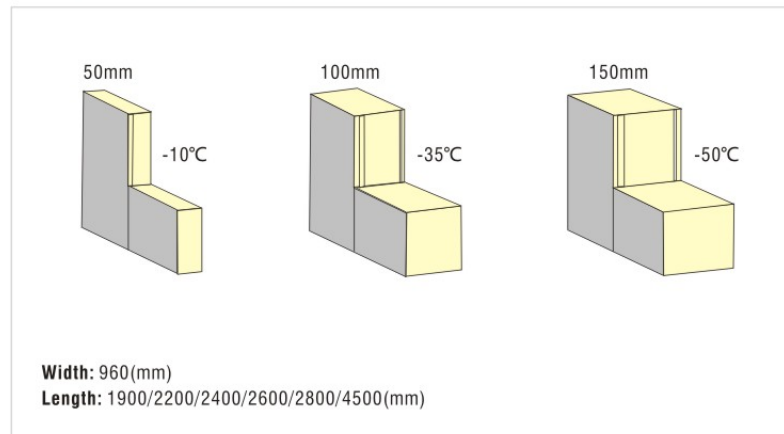
## Cold Storage Room



One stop solution provider for your cold room project, design, manufacture, shipping, installation & commissioning all included.



## Cold Room Panel



### Product Description

Polyurethane sandwiched panels are of 100% polyurethane insulation, which is constructed by being foamed in place with retarded polyurethane using high pressure. Average density is 45kg/m<sup>3</sup>.

The standard panel width is 960mm, the maximum lengths of panels are provided 6m till now. Also the thickness can reach 100mm/150mm. Besides the standard ones, customized panels are also available. As for the surface material, you can choose either one among stainless steel plate, painted galvanized mild steel and embossing aluminum plate.

Every panel consists of tongue and groove construction and can be tightened by a number of eccentric fasteners, which may be screwed easily with a hexagonal key.

## Standard Hinged Door

Model	Door Frame Dimension(mm)	Door Dimension(mm)
L700	790×1790	700×1700
L900	1000×2000	900×1900

\*To be adjusted as per specific requirement

**Heat insulation material:**  
Polyurethane(Thickness:100mm)  
**Surface Material:**  
Painted Galvanized Mild Steel



## Automatically Swing Door

Model	Door Frame Dimension(mm)	Door Dimension(mm)
H700	790×1790	700×1700
H900	1000×2000	900×1900

\*To be adjusted as per specific requirement

**Heat insulation material:**  
Polyurethane(Thickness:100mm)  
**Surface Material:**  
Painted Galvanized Mild Steel



## Manual Sliding Door

Model	Door Frame Dimension(mm)	Door Dimension(mm)
MS900×1040	1040×2040	900×1900
MS1040×1180	1180×2040	1040×1900
MS1200×1340	1340×2140	1200×2000
MS1500×1640	1640×2140	1500×2000

\*To be adjusted as per specific requirement

**Heat insulation material:**  
Polyurethane(Thickness:100mm)  
**Surface Material:**  
Painted Galvanized Mild Steel



## Automatically Sliding Door

Model	Door Frame Dimension(mm)	Door Dimension(mm)
AS900×1040	1040×2040	900×1900
AS1040×1180	1180×2040	1040×1900
AS1200×1340	1340×2140	1200×2000
AS1500×1640	1640×2140	1500×2000

\*To be adjusted as per specific requirement

**Heat insulation material:**  
Polyurethane(Thickness:100mm)  
**Surface Material:**  
Painted Galvanized Mild Steel



## Pressure Ventilator for Cold Room



FC-110

### Product Description

- ♦ Aluminum alloy surface
- ♦ Stainless steel filter
- ♦ Electric heater to prevent frozen (220V/36W)



FC-220

### Product Description

- ♦ ABS frame
- ♦ Stainless steel filter
- ♦ Electric heater to prevent frozen (220V/36W)

## Hinges



FC-306



FC-1132



FC-1332  
FC-1336



FC-1238



FC-1230S



FC-201



FC-1424



FC-380



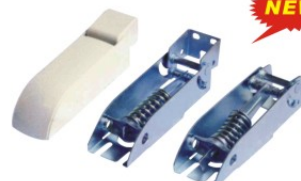
FC-1432



FC-1470  
FC-1460  
FC-1450



FC-8064-1



FC-650

Part No.	Description
FC-306	Reversible Reach-in Edge mount Cam-lift Hinge
FC-1132	Reversible Reach-in Edge mount Cam-lift Hinge
FC-1332	Reversible Reach-in Edge mount Cam-lift Hinge (high 32mm)
FC-1336	Reversible Reach-in Edge mount Cam-lift Hinge (high 36mm)
FC-1238	Reversible Reach-in Plane Hinge
FC-1230S	Reversible Reach-in Plane Hinge (with spring)
FC-201	Reversible Reach-in Plane Hinge (w/o spring)
FC-1424	Cam-Lift Hinge 24mm
FC-380	Cam-Lift Hinge 32mm
FC-1432	Cam-Lift Hinge 32mm
FC-1470	Reach-in door hinge, adjustable height from 40 to 70mm, Zinc body.
FC-1460	Reach-in door hinge, adjustable height from 32 to 60mm, Zinc body.
FC-1450	Reach-in door hinge, adjustable height from 32 to 50mm, Zinc body.
FC-8064-1	Hinge for flush door, width 100mm, length 100mm, stainless steel.
FC-650(3.5)	Refrigerator spring hinge, spring diameter: 3.5mm
FC-650(4.0)	Refrigerator spring hinge, spring diameter: 4.0mm
FC-650(5.0)	Refrigerator spring hinge, spring diameter: 5.0mm

## Latches



FC-621



FC-622



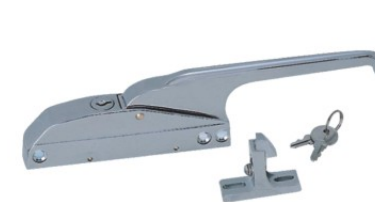
FC-1061



FC-1178



FC-1200



FC-1250



FC-1240



FC-1060  
FC-1040



FC-1400



FC-1061



FC-3-0681



FC-3-0680

Part No.	Description
FC-621A	Dual safety latch for flush door, Zinc body
FC-621G	Dual safety latch for convex door, adjustable height from 40mm to 70mm, Zinc body
FC-622	Inside release handle, Stainless steel
FC-1178	Safety latches with inside release handle, adjustable height from 35mm to 70mm, Zinc body
FC-1200	Edge mount mechanical latches, adjustable height from 18mm to 22mm, Zinc body
FC-1250	Edge mount mechanical latches, adjustable height from 18mm to 22mm, Zinc body
FC-1240	Edge mount mechanical latches, adjustable height from 18mm to 22mm, Zinc body
FC-1060	6\"/>
FC-1040	4\"/>
FC-1400	Edge mount mechanical latches, adjustable height from 26mm to 36.5mm, Zinc body
FC-1061	Edge mount mechanical latches, adjustable height from 26mm to 36mm, Zinc body
FC-3-0681	Edge mount mechanical latches, adjustable height from 26mm to 36mm, Zinc body
FC-3-0680	Edge mount mechanical latches, adjustable height from 26mm to 36mm, Zinc body

## Aluminium Flexible Duct



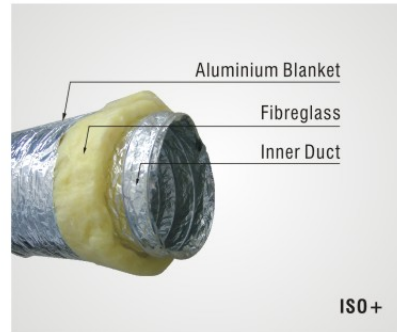
Duct Material	Aluminium / Polyester
Standard Length	10m
Compressed Length	0.4m / 0.6m
Diameter Range	76mm/1200mm
Temperature Range	-30 / +140
Maximum Air Velocity	30m / Sec (5906ft/min)
Max. Positive Working Pressure	2500pa
Packing	Individual Carton

## Combined Flexible Duct



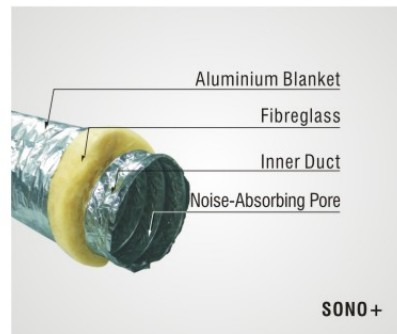
Duct Material	Aluminium / Polyester/PVC
Standard Length	10m
Compressed Length	0.4m / 0.6m
Diameter Range	76mm/1200mm
Temperature Range	-30 / +140
Maximum Air Velocity	30m / Sec (5906ft/min)
Max. Positive Working Pressure	3000pa
Packing	Individual Carton

## Insulated Flexible Duct



Outer Jacket	Aluminium / Polyester
Standard Fiberglass Color	Yellow
Fiberglass Density	16kg/m <sup>3</sup>
Fiberglass Thickness	25mm
Standard Length	10m
Compressed Length	1m / 1.2m
Diameter Range	76mm/1200mm
Temperature Range	-30 / +140
Maximum Air Velocity	30m / Sec (5906ft/min)
Max. Positive Working Pressure	2000pa
Packing	Individual Carton

## Silent Insulated Flexible Duct



Outer Jacket	Aluminium / Polyester
Standard Fiberglass Color	Yellow
Fiberglass Density	16/m <sup>3</sup>
Fiberglass Thickness	25mm
Standard Length	10m
Compressed Length	1m/1.2m
Diameter Range	76mm/1200mm
Temperature Range	-30/+140
Maximum Air Velocity	30m/Sec(5906ft/min)
Max. Positive Working Pressure	2000pa
Packing	Individual Carton

## Semirigid Flexible Duct



Duct Material	Aluminium
Thickness of Aluminium	0.08mm
Standard Length	3m
Compressed Length	1m
Diameter Range	75mm / 600mm
Temperature Range	-30 / +250
Maximum Air Velocity	25m / Sec (4922ft/min)
Max. Positive Working Pressure	2000pa
Packing	Bulk Carton

## PET Flexible Duct

Duct Material	Polyethylene
Standard Length	10M
Compressed Length	0.1/0.15M
Diameter Range	76mm/1200mm
Temperature Range	-40/120
Maximum Air Velocity	30m/Sec(5906ft/min)
Max. Positive Working Pressure	3000pa
Packing	Individual Carton



## MAT +

### Common Centrifugal Glass Wool

- It is widely applied for the application of the heat insulation and noise absorbing for building construction.
- Different colors get different prices.
- Density: 10, 12, 14, 16, 20, 24, 32kg/m<sup>3</sup>.



## BOARD +

### Common Centrifugal Fiberglass Wool Boards

- It is widely applied for the application of the heat insulation and noise absorbing for building construction.
- Density: 24, 28, 32, 36, 40, 44, 48, 60, 64, 80, 96kg/m<sup>3</sup>.
- Thickness: 15~75mm.
- Length: 1200mm, 2400mm.
- Width: 600mm, 1200mm.

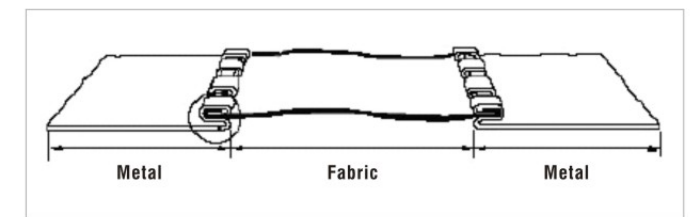


## Flexible Duct Connector

### Product Description

Flexible duct connector is formed through fold repression by using fire-resistant fabric and punching sheet. With this technique, the gas tightness is good, the punching sheet is easy to be shaped, and the installation is convenient. It can replace the old common canvas to save time. You can bend the galvanized sheet into whatever shape you need, and then use the tapping screw or the self-plugging rivet to tight it. Another installation method is spot welding processing.

Flexible connector size		
Metal	Fabric	Metal
35mm	60mm	35mm
45mm	60mm	45mm
45mm	70mm	45mm
45mm	75mm	45mm
70mm	100mm	70mm



### Polyester Fire-resistant Fabric Duct Connector

- Model: Fc1
- Steel: Galvanized, 0.4mm thick
  - Fabric: Fire-resistant polyester coated PVC
  - Color: Black
  - Temperature Range: -30 Deg.C~+120 Deg.C
  - Tensile Strength (N): 3000X2090
  - Anti-rips intensity (N): 288.5X246.6
  - Length per Roll: 25m, 30m, 45m, 50m



### Glass fiber Fabric Duct Connector

- Model: Fc2
- Steel: Galvanized, 0.4mm thick
  - Fabric: Fire-resistant fiberglass coated silicone
  - Color: Grey
  - Temperature Range: -30 Deg.C~+280 Deg.C
  - Tensile Strength (N): 2300X1860
  - Anti-rips intensity (N): 253.6X180.5
  - Length per Roll: 25m, 30m, 45m, 50m



## Square Air Diffuser

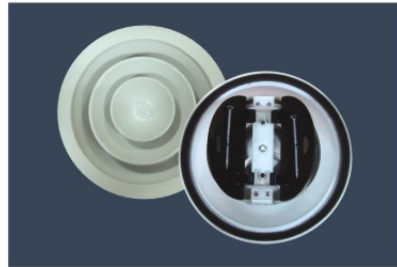


**Material:** Al6063-T5

**Features:**

1. One way to four ways airflow.
2. Neck sizes are 150×150mm, 225×225mm, 300×300mm, 375×375mm, 450×450mm. Other sizes can be made upon customer's requests.
3. Designed for supply and exhaust of cooled and heated air.
4. The centre core is removable for ease of access and maintenance.
5. Anodized or powder coated. Normal colors are RAL9016 and RAL9010.

## Round Air Diffuser



**Material:** Al6063-T5

**Features:**

1. Designed for supply and exhaust of cooled and heated air.
2. The centre core is removable for ease of access and maintenance.
3. Anodized or powder coated.
4. Neck sizes are 150mm, 200mm, 250mm, 300mm & 350mm.

## Swirl Air Diffuser



**Model:** SW1

**Material:** SPCC

**Features:**

1. Connector size is 520mm.
2. White color coated.
3. Sizes are 610×610mm and 595×595mm.



**Model:** SW2

**Material:** SPCC

**Features:**

1. Powder coated in face.
2. Plastic adjustable blades.
3. Normal size are 300mm×8, 400mm×16, 500mm×24, 600mm×24, 600mm×48.
4. Numbers of slots can be 48, 36, 24, 12, 6 and so on.

## Linear Slot Diffuser

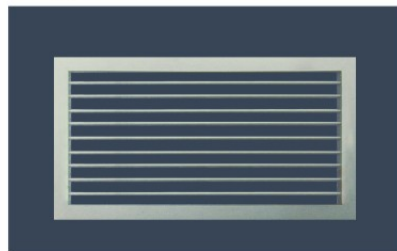


**Material:** Al6063-T5

**Features:**

1. Blades are anodized black and frame is finished in white powder coated.
2. 25.4/19mm between blades.
3. Available with 1-5 slots.

## Single Deflection Grille



**Material:** Al6063-T5

**Features:**

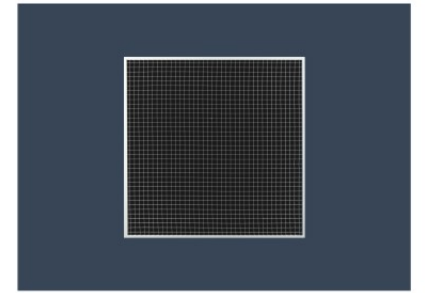
1. Anodized or powder coated.
2. The blades are fixed by wire and adjustable from 0-180 degree, giving required controllable air flow direction.
3. Curved frame or Flat frame.
4. Size can be produced upon requests.

## Eggcrate Grille

**Material:** Al6063-T5

**Features:**

1. 12.7×12.7×12.7mm or 15×15×15mm square lattice core.
2. Power coated or natural color.
3. The blades can be 0 or 45 degree.
4. Sizes can be produced upon requests.

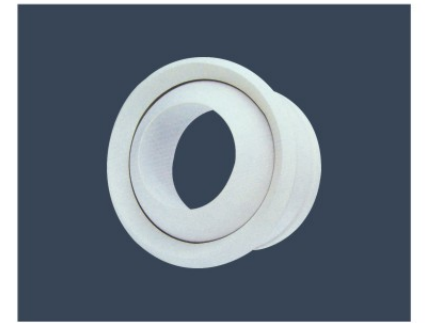


## Ball Spout

**Material:** Aluminum Alloy

**Features:**

1. Mainly used for the airport, theater and museum, etc.
2. Excellent appearance, long space of airflow and low noise.
3. Airflow direction can be adjusted manually or electrically.
4. Diameter available: 200mm, 250mm, 315mm & 400mm.



## Disc Valve

**Material:** SPCC

**Features:**

1. The centre core is removable for ease of access and maintenance.
2. Designed for supply air & exhaust air.
3. Sizes are 100mm, 125mm, 150mm, 160mm, and 200mm.



## Pipe Clamp

DF-1006				
Use Area	Bandwidth(mm)	Package Size(cm)	pcs/ctn	Weight(kgs)
8-12mm	9	40×27×10	1000	10
10-16mm		40×27×13	1000	10.5
12-22mm		40×27×14	1000	11
16-27mm		40×27×17	1000	11.7
23-35mm		40×27×21	1000	12.6
25-40mm		40×27×25	1000	13.7
30-45mm		40×27×29	1000	14.4
32-50mm		40×27×21	500	7.6
40-60mm		40×27×26	500	8.3
50-70mm		55×27×31	500	9
60-80mm		55×27×36	500	9.8
70-90mm		55×26×31	500	10.5
80-100mm		55×26×34	500	10.8
90-110mm		55×26×37	500	11.5
100-120mm		55×26×20	250	6.3
110-120mm		55×26×22	250	6.6
120-140mm	55×26×24	250	7	
130-150mm	55×26×26	250	7.5	
140-160mm	55×26×26	250	8	



**DF-1006**  
Germany middle type fastener  
Bandwidth: 12mm&9mm

## Spiral Clamp



**DF-1002**  
American fastener Bandwidth: 12.7mm

DF-1002						
Model	Specification	Use Area	Bandwidth (mm)	Package Size(mm)	pcs/ctn	Weight (kgs)
#16	1-1/2"	21-38mm	12.7	50×30×24	1000	21
#20	1-3/4"	21-44mm		50×30×17	500	11
#24	2"	27-51mm		50×30×21	500	11.5
#28	2-1/4"	33-57mm		50×30×24	500	1
#32	2-1/2"	40-63mm		50×30×27	500	12.5
#36	2-3/4"	46-70mm		50×30×31	500	13
#40	3"	52-76mm		50×30×34	500	14
#44	3-1/4"	59-82mm		50×30×37	500	14.5
#48	3-1/2"	65-89mm		50×30×41	500	15
#52	3-3/4"	72-95mm		50×30×44	500	15.5
#56	4"	78-101mm		50×30×47	500	16
#60	4-1/4"	84-108mm		50×30×50	500	16.5
#64	4-1/2"	91-114mm		50×30×26	250	8.7
#68	4-3/4"	95-120mm		50×30×30	250	9.1
#72	5"	105-127mm		50×30×34	250	9.5
	5-1/4"	110-134mm				
#80	5-1/2"	118-140mm		50×30×40	250	10.3
	5-3/4"	125-146mm				
#88	6"	130-152mm		50×30×46	250	11.1
#92		133-159mm				
#96	6-1/2"	143-165mm	50×30×50	250	11.8	
#100		146-171mm				
#104	7"	155-178mm	50×40×42	250	12.6	



**DF-3001**  
Heavy Pipe Clamps M10 With Epdm Rubber

DF-3001							
Reference	No.	Size(mm)	Inch	Reference	No.	Size(mm)	Inch
109015	15	12-16	-	109125	125	125-130	-
109018	18	15-19	3/8"	109133	133	132-137	-
109022	22	20-25	1/2"	109140	140	138-142	5"
109028	28	26-30	3/4"	109150	150	148-152	-
109035	35	32-36	1"	109160	160	159-166	6"
109040	40	38-43	1-1/4"	109200	200	200-212	-
109048	48	47-51	1-1/2"	109220	220	215-226	-
109054	54	53-58	-	109250	250	248-252	-
109060	60	60-64	2"	109315	315	312-318	-
109070	70	68-72	-	109355	355	352-358	-
109075	75	75-80	2-1/2"	109400	400	395-405	-
709083	83	81-86	-	109450	450	446-456	-
109090	90	87-92	3"	109500	500	496-506	-
1090100	100	99-105	3-1/2"	109560	560	556-566	-
1090110	110	107-112	-	109630	630	626-636	-
1090115	115	113-118	4"				

## Clamp Band



### Product Description

Comes with a handy plastic container having 30m strip inside and with multi clamp, you may cut it to any size fitting different size flexible ducts.

Band:9mm width, 0.6mm thickness width rounded edges and smooth underside of banding prevent any risk of damage of the duct of pipe being clamped.