

Danfoss Secop SLV15CNK / SLV15CNK.2 – Complete Technical Review & Replacement Guide

Category: Refrigeration

written by www.mbsm.pro | 11 March 2026



PictureS Mbsm Dot Pro : www.mbsm.pro

The Danfoss Secop SLV15CNK is a variable-speed LBP hermetic compressor running on R290 propane refrigerant, designed exclusively for commercial freezing applications. With a 15.28 cm³ displacement, permanent magnet TRI motor, and mandatory SLV electronic controller, it powers chest freezers and display cases across retail worldwide – including AHT deep freezer cabinets.

Mbsm.pro, Danfoss, sc15g, compressor, sc15gx, 104g8525, GP14TB, CAJ4452Y, GP14PB, GP14PT, sc15g, 104g 8525, 3/8 hp++, lbp/hbp, 1/2 hp–, 424 W

Category: compressor

written by www.mbsm.pro | 11 March 2026



Private Picture Copyright : WWW.MBSM.PRO

Mbsm.pro, Danfoss, sc15g, compressor, sc15gx, 104g8525, GP14TB, CAJ4452Y, GP14PB, GP14PT, sc15g, 104g 8525, 3/8 hp++, lbp/hbp, 1/2 hp-, 424 W

**Danfoss, secop, refrigerator,
compressor, SC15G, 104G8520, R134a,
3/8HP, 1ph/220V-240/50HZ**

Category: compressor

written by www.mbsm.pro | 11 March 2026



Private Picture Copyright : WWW.MBSM.PRO

3/8HP Danfoss secop refrigerator compressor SC15G 104G8520 for R134a

Main features:

1. Adopt high efficient rotary compressor and Japan made motors, save power 10% or above.
2. The horizontal designed series can save much space.
3. Optimized design can be tightly built inside the equipment,

which can save installation time and labor cost.

4. Widely used in freezing storage, cold room, automatic vendor machine, cold tanks on the ship, etc. as well as in the home use, commercial, refrigerator, refrigeration machine, dehumidifier, low-temperature laboratory device and some special refrigeration equipment.

Available models and details for secop compressor:

Model	Gas	Qty/pallet	HP	Voltage	Code	Details
SC10C	R22	80	1/3	1ph/220V-240/50HZ	104L2516	MLBP HST
SC12C	R22	80	3/8	1ph/220-240V/50HZ	104L2674	MLBP HST
SC15CM	R22	80	1/2	1ph/220V-240V/50HZ	104L2848	MLBP HST
SC18CM	R22	80	5/8	1ph/220-240V/50HZ	104L2120	MLBP HST
SC10D	R22	80	3/8	1ph/220-240V/50HZ	104L2529	MHBP HST
SC12D	R22	80	1/2	1ph/220-240V/50HZ	104L2694	MHBP HST
SC15D	R22	80	5/8	1ph/220-240V/50HZ	104L2859	MHBP HST
SC10CL	R404A	80	1/3	1ph/220-240V/50HZ	104L2523	LMBP HST
SC12CL	R404A	80	3/8	1ph/220-240V/50HZ	104L2623	LMBP HST
SC15CL	R404a	80	1/2	1ph/220-240V/50HZ	104L2853	LMBP HST
SC18CL	R404a	80	5/8	1ph/220V-240V/50HZ	104L2123	LMBP HST
SC21CL	R404a	80	7/8	1ph/220-240V/50HZ	104L2322	LBP HST
SC10G	R134a	80	5/16	1ph/220-240V/50HZ	104G8000	LMHBP HST
SC12G	R134a	80	1/3	1ph/220-240V/50HZ	104G8240	LMHBP HST
SC15G	R134a	80	3/8	1ph/220V-240V/50HZ	104G8520	LMHBP HST
SC18G	R134a	80	1/2	1ph/220-240V/50HZ	104G8820	LMHBP HST
SC21G	R134a	80	5/8	1ph/220-240V/50HZ	104G8140	LMHBP HST



Private Picture Copyright : WWW.MBSM.PRO

Mbsm_dot_pro_private_PDF_sc15g_104g8520_r134a_220v_50hz_60hz_01-2013_desd402k302
Télécharger

FR6B, Compressor, 103U2654, FR6B
 103U2654, DANFOSS TL, FR and SC
 Hermetic Compressors, DANFOSS,
 Kiriazi, 343L, 1/5 Hp, MBP, R12,
 280g, équivalence, 1/4Hp, R134A, 190g

Category: compressor

written by www.mbsm.pro | 11 March 2026



Private Picture Copyright : WWW.MBSM.PRO

Compresseurs hermétiques DANFOSS TL, FR et SC

BOC partie No.	Code Danfoss	Puissance nominale et applic	Refrig.	Capacité nominale (watts)	Réf. BOC	Code Danfoss	Puissance nominale et applic	Réfrigérer	Capacité nominale (watts)
FR6B	103U2654	1/5 MBP	R12	354	TL3F	102G4300	1/10 LBP	R134a	58
FR8.5B	103U2854	1/4 MBP	R12	450	TL4F	102G4400	1/8 LBP	R134a	84
SC10B *	104L2510	1/3 MBP	R12	588	TL55F	102G4520	1/6 LBP	R134a	127
FR11B	103U2154	1/3 MBP	R12	624	TL57F	102G4720	1/5 LBP	R134a	162
SC12B *	104L2670	4/9 MBP	R12	756	NL7F	105G6706	1/4 LBP	R134a	183
SC15B *	104L2830	1/2 MBP (LBP)	R12 (R502)	912 (768)	NL9F **	105G6802	1/4 LBP	R134a	214
SC18B *	1042110	2/3 MBP (LBP)	R12 (R502)	1044 (900)	NL11F **	105G6910	1/4 LBP	R134a	274
SC21B	104L2310	3/4 MBP	R12	1212	SC15F **	104G8500	1/3 LBP	R134a	319
SC10B	104L2510	1/3 LBP	R502	468	SC18F **	104G8800	4/9 LBP	R134a	395
SC12B	104L2670	4/9 LBP	R502	612	TL3G	104G4350	1/8 MBP	R134a	175
SC15C	104L2832	2/3 LBP	R502	768	TL4G	102G4452	1/6 MBP	R134a	215

SC18C	104L2111	3/4 LBP	R502	900	FR6G	103G6660	1/5 MBP	R134a	351
SC10G	104G8000	1/3 MBP	R134a	591	FR8.5G	103G6780	1/4 MBP	R134a	468
SC12G	104G8240	4/9 MBP	R134a	751	FR11G	103G6980	1/3 MBP	R134a	609
SC18G	104G8820	2/3 MBP	R134a	1059	SC15G	104G8520	1/2 MBP	R134a	892
SC21G	104G8140	3/4 MBP	R134a	1256	SC10CL	104L2523	1/3 MBP	R507	450
SC12CL	104L2623	4/9 LBP	R507	624	SC15CL	104L2853	2/3 LBP	R507	758
SC18CL	104L2123	3/4 LBP	R507	893					

Remarque:

1. Les compresseurs marqués ** sont équipés de raccords de refroidisseur d'huile.
2. Les compresseurs marqués * peuvent être utilisés sur les systèmes R502 avec fonctionnement à tube capillaire dans la gamme LBP.
3. (Systèmes sans dégivrage automatique uniquement).

Capacités nominales basées sur:

LBP = -23,3 ° C température d'évaporation

MBP = -5 ° C température d'évaporation

Relais de remplacement (appareil de démarrage)	
Réf . BOC	Convient au modèle de compresseur
103N0011	TL3A à TL5A, FR7.5A à FR11A
103N0002	SC12A, SC15A

KIRIAZI

REFRIGERATORS MANUFACTURING Co

Made in Egypt



شركة إنتاج التلاجات المنزلية
كيريازي
صنع في مصر

Energy Consumption	220 V	50 HZ	180 W	1.15 A
Capacity Refrigerator	343 L	Freezer 97 L	Total	440 L
Freezing Capacity	7 Kg 24 h	Cooling System		20 BAR
Refrigerating Gas	280 gr	Consumption (k.w-h/24h)		2.4
Model NO FROST	K-440	Motor Tropical		
Serial Number	موتور تروبيكال			



Private Picture Copyright : WWW.MBSM.PRO

FR6B	103 U26 54	1/ 5 M BP	R 1 2	3 5 4	T L 3 F	1 0 2 G 4 3 0 0	1 /	R 1 3 4 a	5 8
------	------------------	--------------------	-------------	-------------	------------------	--------------------------------------	--------	-----------------------	--------



Private Picture Copyright : WWW.MBSM.PRO

Compresseur, Danfoss, SC15G, R134a, 1/2HP, 50/60Hz

Category: compressor

written by www.mbsm.pro | 11 March 2026

Design

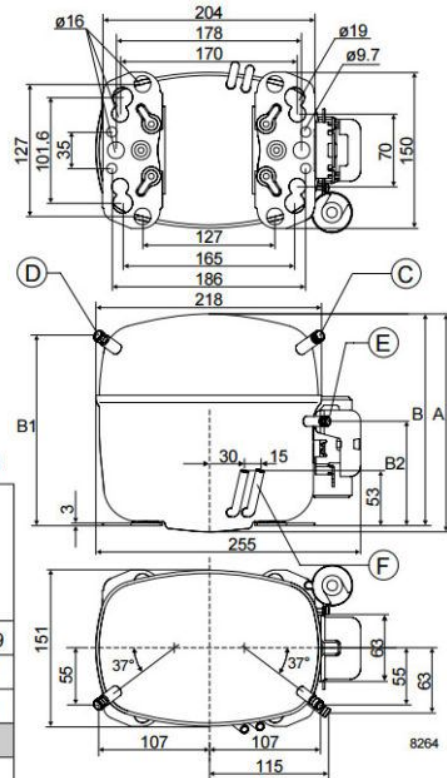
Displacement	cm ³	15.28
Oil quantity	cm ³	600 (550 on comp. with oil cooler)
Maximum refrigerant charge	g	1300
Free gas vol. in compressor	cm ³	1410
Weight without electrical equipment	kg	13.1

Motor

Motor size	watt	385
LRA (rated after 4 sec. UL984) HST	A	14.8
Cut-in current HST	A	14.8
Resistance, main and start winding (25°C)	Ω	5.0/13.7
Approvals		EN 60335-2-34

Dimensions

		104G8530	104G8520	104G8525
Height	mm	A	209	
		B	203	
		B1	183	
		B2	100	
Suction connector	location/I.D. mm	C	10.2 ±0.09	10.2 ±0.09
Process connector	location/I.D. mm	D	6.2 ±0.09	6.2 ±0.09
Discharge connector	location/I.D. mm	E	6.2 ±0.09	6.5 ±0.09
Oil cooler	location/I.D. mm	F	6.2 ±0.09	
Compressors on a pallet	pcs.	80		

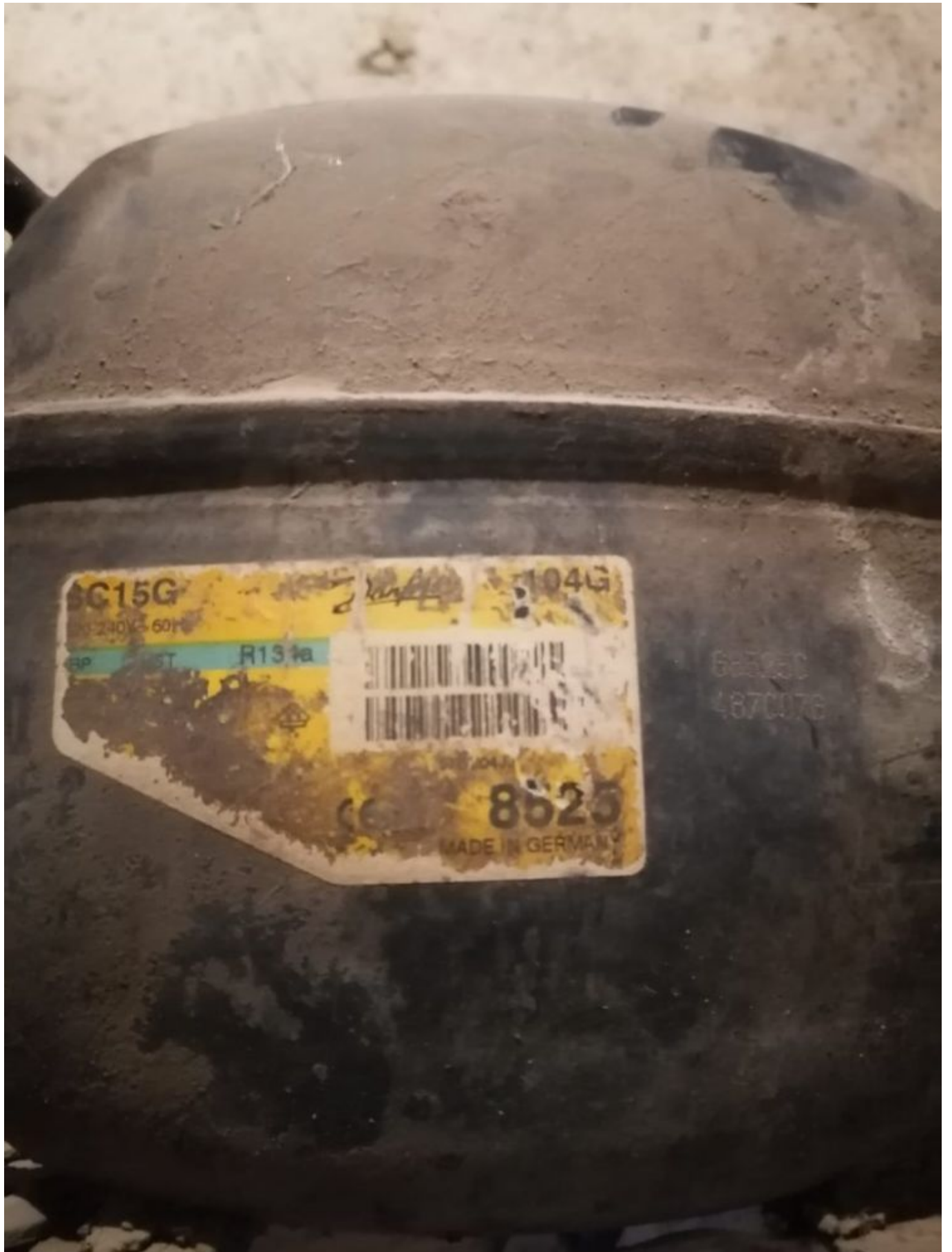


Private Picture Copyright: WWW.MBSM.PRO

Données techniques

- Modèle: **SC15G**
- Gaz: **R-134a**
- Température/Pression: **Moyenne / Haute**
- Puissance: **1/2 HP**
- Voltage: **230 V**
- Type De Courant: **Monophasé**
- Fréquence: **50/60 Hz**
- Type De Compresseur: **Hermétique**
- Décalage: **15.28 cm³**
- Cons.Énergie -25°C: **233 W**
- Cons.Énergie -10°C: **440 W**
- Cons.Énergie -5°C: **497 W**
- Cons.Énergie 0°C: **549 W**
- Cons.Énergie +5°C: **595 W**
- Cons.Énergie +7,2°C: **613 W**
- T° De Condensation: **55 °C**
- Capacité Frigorífica -25°C: **175 Kcal/h**
- Capacité Frigorífica -20°C: **308 Kcal/h**
- Capacité Frigorífica -15°C: **450 Kcal/h**

- Capacidad Frigorífica -10°C : **604 Kcal/h**
- Capacidad Frigorífica -5°C : **775 Kcal/h**
- Capacidad Frigorífica 0°C : **966 Kcal/h**
- Capacidad Frigorífica 5°C : **1184 Kcal/h**
- Capacidad Frigorífica 7.2°C : **1289 Kcal/h**
- Capacidad Frigorífica 10°C : **1431 Kcal/h**
- Tipo Test: **Ashare 32**



Design

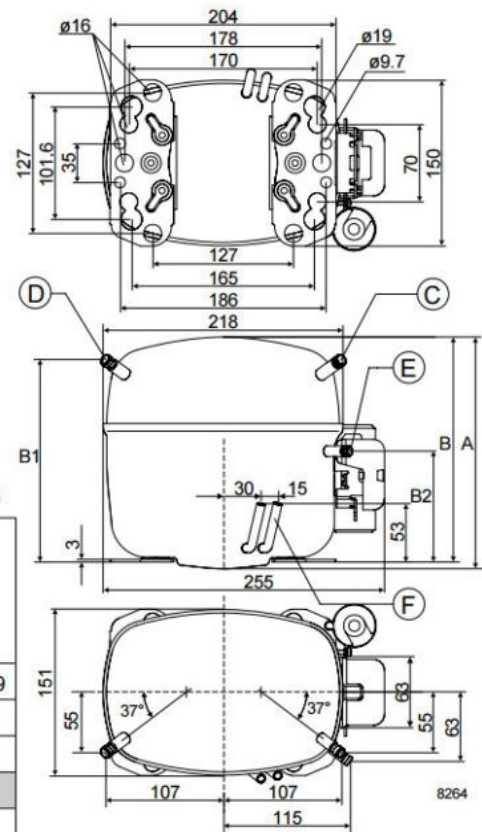
Displacement	cm ³	15.28
Oil quantity	cm ³	600 (550 on comp. with oil cooler)
Maximum refrigerant charge	g	1300
Free gas vol. in compressor	cm ³	1410
Weight without electrical equipment	kg	13.1

Motor

Motor size	watt	385
LRA (rated after 4 sec. UL984) HST	A	14.8
Cut-in current HST	A	14.8
Resistance, main and start winding (25°C)	Ω	5.0/13.7
Approvals		EN 60335-2-34

Dimensions

		104G8530	104G8520	104G8525
Height	mm	A	209	
		B	203	
		B1	183	
		B2	100	
Suction connector	location/l.D. mm	C	10.2 ±0.09	10.2 ±0.09
Process connector	location/l.D. mm	D	6.2 ±0.09	6.2 ±0.09
Discharge connector	location/l.D. mm	E	6.2 ±0.09	6.5 ±0.09
Oil cooler	location/l.D. mm	F	6.2 ±0.09	
Compressors on a pallet	pcs.		80	



Private Picture Copyright : WWW.MBSM.PRO

Mbsm_dot_pro_private_PDF_sc15gTélécharger

Mbsm_dot_pro_private_PDF_sc15g_104g7560_r134a_115v_60hz_01-2020_desd404o322Télécharger

Mbsm_dot_pro_private_PDF_sc15g_104g8526_r134a_220v_60hz_01-2020_desd403j302Télécharger