

Compressor, Hitachi, R134a, (série R012), FL1462-SA, HITACHI Brand , (Made in Thailand), 1/5 Hp, 160w, Fl 0739 (90 Watts), Fl 0847 (105 Watts), Fl 1152 (125 Watts), Fl 1257 (150 Watts), Fl 1462 165 Watts), Fl 1675 (185 Watts), Fl 1888 (210 Watts), Fl 2088 (250 Watts)

Category: compressor

written by [www.mbsm.pro](http://www.mbsm.pro) | 13 January 2021



Private Picture Copyright: [WWW.MBSM.PRO](http://WWW.MBSM.PRO)

HITACHI Brand (Thailand)

Model

FL 0739 (90 Watts)

FL 0847 (105 Watts)

FL 1152 (125 Watts)

FL 1257 (150 Watts)

FL 1462 (165 Watts)  
 FL 1675 (185 Watts)  
 FL 1888 (210 Watts)  
 FL 2088 (250 Watts)

Code No.	Model	HP	Capacity (W)	Current (A)	Efficiency COP (w/w)	Voltage / Frequency
<b>R134a Models</b>						
R012001	FL 06S34-TAB	1/12	85	0.70	0.93	
R012002	FL 0739-SQ	1/10	114	0.72	1.20	
R012003	FL 0847-SD	1/8	130	0.83	1.19	
R012005	FL 1152-SB	1/6	143	0.82	1.27	
R012006	FL 1257-SR	1/5	160	0.90	1.25	
R012007	FL 14S62-TAD	1/5	175	0.95	1.30	
R012008	FL 1568-SQ	1/4	200	1.11	1.30	
R012009	FL 20S88-TAC	1/3	255	1.50	1.25	
R012010	FL1888-SE	1/3	245	1.51	1.25	
<b>R600a Models</b>						
	CL 0545-SZ	1/12	62	0.70	1.12	220V – 240V / 50Hz
	CL 1297-SA	1/5	156	0.90	1.46	
	CL 1310-SA	1/5+	163	0.95	1.48	
<b>R600a Models (Inverter)</b>						
	CL 1588-DZ	1/6	134	0.83	1.62	220V – 240V / 50Hz
	CL 1610-DL	1/5	160	0.90	1.65	





**WWW.MBSM.PRO**

**F L 14 62 - S B**

**Series name/Refrigerant**

F = R134a  
R = R404A  
C = R600a

**Application category:**

L = Low back pressure  
H = High back pressure

**Nominal power (Out put)**

Sign	Output(W)	Sign	Output(W)
04	45	15	150
05	55	16	160
06	65	17	170
07	75	18	180
08	85	20	200
10	100	25	250
11	110	35	350
12	125	40	400
14	140	45	450

**Development**

A - Z = With oil charge  
1 - 9 = With out oil charge

**Nominal voltages / Power source**

Sign	Phase/voltage/frequency	Sign	Phase/voltage/frequency
H	1Ø 100 V 50/60 Hz	S	1Ø 220 ~ 240 V 50 Hz
P	1Ø 110 V 120 V 60 Hz	D	1Ø 100 V 50/60 Hz
U	1Ø 127 V 60 Hz	T	3Ø 200 V 50/60 Hz
R	1Ø 200 ~ 220 V 60 Hz		

**Displacement**

Sign	Displacement(Cm <sup>3</sup> )	Sign	Displacement(Cm <sup>3</sup> )
24	2.4	62	6.2
28	2.8	68	6.8
34	3.4	75	7.5
39	3.9	88	8.8
45	4.5	97	9.7
52	5.2	11	11.0
57	5.7		

Private Picture Copyright: WWW.MBSM.PRO

Mbsm\_dot\_pro\_private\_PDF\_FL1462-SA\_Hitachi-catalogueTélécharger  
Mbsm\_dot\_pro\_private\_PDF\_FL1462-  
SA\_Mbsm\_dot\_pro\_private\_PDF\_P\_COM008\_105\_specTélécharger

# Mbsm.pro, pdf, TLS5FT, Tropical Compressor, R134a, 220-240V 50Hz

Category: Files

written by www.mbsm.pro | 13 January 2021



Private Picture Copyright: WWW.MBSM.PRO



Private Picture Copyright: WWW.MBSM.PRO

Mbsm\_dot\_pro\_private\_PDF\_TLS5FTTélécharger

Compressor, ASPERA, b3118b , 1/4 hp ,  
240V~50hZ, Frigidaire 2 portes,  
Philips, 180W, Class T, 422L (460L  
Total), compressor b3118b, 220g ,  
R134a

Category: compressor,Non classé  
written by www.mbsm.pro | 13 January 2021



**PHILIPS**

MADE IN EGYPT

Service  
Service  
Service  
230 V  
50 Hz  
180 W

MODEL ARG 425 / PH

Class T

Gross Volume	460	Ltr
Net Volume	440	Ltr
Net Storing Volume	422.5	Ltr
System Compressor	ccl <sub>2</sub> F2 220 g	

1000000000

Compressor, ASPERA, b3118b , 1/4 hp , 240V~50hZ, Frigidaire 2 portes, Philips,  
180W, Class T, 422L (460L Total), compressor b3118b, 220g , R134a



**PHILIPS**

MADE IN EGYPT

Service  
Service  
Service  
230 V  
50 Hz  
180 W

MODEL ARG 425 / PH

Class T

Gross Volume	460	Ltr
Net Volume	440	Ltr
Net Storing Volume	422.5	Ltr
System Compressor	ccl <sub>2</sub> F <sub>2</sub> 220 g	

1000000000

#### 4.30 BAJA TEMPERATURA, Monofásicos 220 V 50 Hz

R12  
MP39  
FX56

Modelo	Tipo	CV.	Cm3	Código	Precio €
BP1084A	S	1/8	4,30	10600	-
BP1111A	S	1/8	5,73	10601	139,00
NB1112A	S	1/6	5,9	10602	167,00
NB1116A	S	1/4	8	10603	161,00
B3116B	RH	1/4	8	10604	166,00
NB1118A	S	1/4	8,85	10605	165,00
B3118B	RH	1/4	8,85	10606	172,00
B2118B	S	1/4	8,85	10607	181,00

Modelo	Tipo	CV.	Cm3	Código	Precio €
NE2121A	F	1/3	12,00	10608	210,00
T2124A	F	1/3	12,58	10609	-
T2128A	F	1/3	14,50	10610	-
NE2130A	F	1/3	14,20	10611	236,00
T2134A	F	3/8	17,40	10612	310,00
T2140A	F	3/8	20,40	10613	321,00
J2152A	F	1/2	26,00	10614	439,00
J2170A	F	3/4	34,37	10615	462,00

Ver aplicación de todos los compresores de esta página en el nuevo reglamento Europeo (CE) nº 2037/2000, publicado el 29/09/2000.

#### 4.40 BAJA TEMPERATURA, Monofásicos 220 V 50 Hz

R22  
R417a  
R427a

Modelo	Tipo	CV.	Cm3	Código	Precio €
NE2125E	F	1/3	8,90	10618	199,00
NE2134E	F	3/8	12,00	10619	217,00
T2140E	F	1/2	14,50	10620	339,00
T2155E	F	5/8	17,40	10621	362,00

Modelo	Tipo	CV.	Cm3	Código	Precio €
T2168E	F	3/4	20,40	10622	373,00
NJ2178E	F	3/4	23,50	10623	413,00
J2190E	F	3/4	27,10	10624	429,00





Private Picture Copyright: [WWW.MBSM.PRO](http://WWW.MBSM.PRO)



# Kulthorn, compressor, Kulthorn compressor, c-qn76l6f, c-qn76l6f-l, 1/10 Hp, 1Ph, Serie C-q, R134a, 76 watt, Low back pressure, 200-220V/50hz, 220v/60hz, Compressor modéfier

Category: compressor

written by [www.mbsm.pro](http://www.mbsm.pro) | 13 January 2021



Private Picture Copyright : [WWW.MBSM.PRO](http://WWW.MBSM.PRO)

Kulthorn, compressor, Kulthorn compressor, c-qn76l6f, 1/10 Hp, 1Ph, Serie C-q, R134a, 76 watt, Low back pressure, 200-220V/50hz, 220v/60hz, Compressor modéfier  
Compressor Motor Protectors

Each compressor incorporates a motor protection device or system. Generally, the larger the compressor, the more sophisticated the motor protector.

It is essential that an electric motor is protected against conditions that could

otherwise result in damage to the motor or to the electrical supply system. For

this

reason, every Kulthorn compressor is supplied with a motor protector, sometimes referred

to as an overload. The more expensive the compressor, the greater is the economic

justification for specifying a motor protector that has the ability to protect over a wider

range of conditions.

#### 1. External Motor Protectors

A smaller compressor (such as an AZ, AE or WJ) is fitted with an external motor

protector. Most commonly, this is a compact, cylindrical device that contains a snapaction bimetallic disc. The protector is mounted in contact with the surface of the

compressor housing, inside the terminal guard.

The compressor current passes through the bimetallic disc. The resistance of this disc

causes the disc temperature to increase as the motor current increases. There is usually

a small heater, located under the disc and connected in series with the disc itself. This

heater further raises the temperature of the disc. There is also the impact of the

compressor shell temperature, and a hot compressor will further increase the disc

temperature. The temperature of the disc is thus influenced by the combined effects of –

- the compressor motor current
- the compressor shell temperature

When the bimetallic disc reaches a predetermined temperature (often either 105°C or

120°C) the disc will snap open, and power supply to the compressor will be interrupted.

The compressor will cool, and at a reduced disc temperature the protector will reset

and the compressor will restart, or attempt to restart. If the abnormal condition that

caused the protector to trip in the first place still exists, the compressor is likely to continue

to cycle on the overload until that condition is corrected.

There are two situations where a motor protector is expected to operate.

2. When the compressor is running under extreme conditions.

3. When the compressor is in a locked rotor condition. This is a situation where the

compressor cannot start because the voltage is too low, the system pressures are

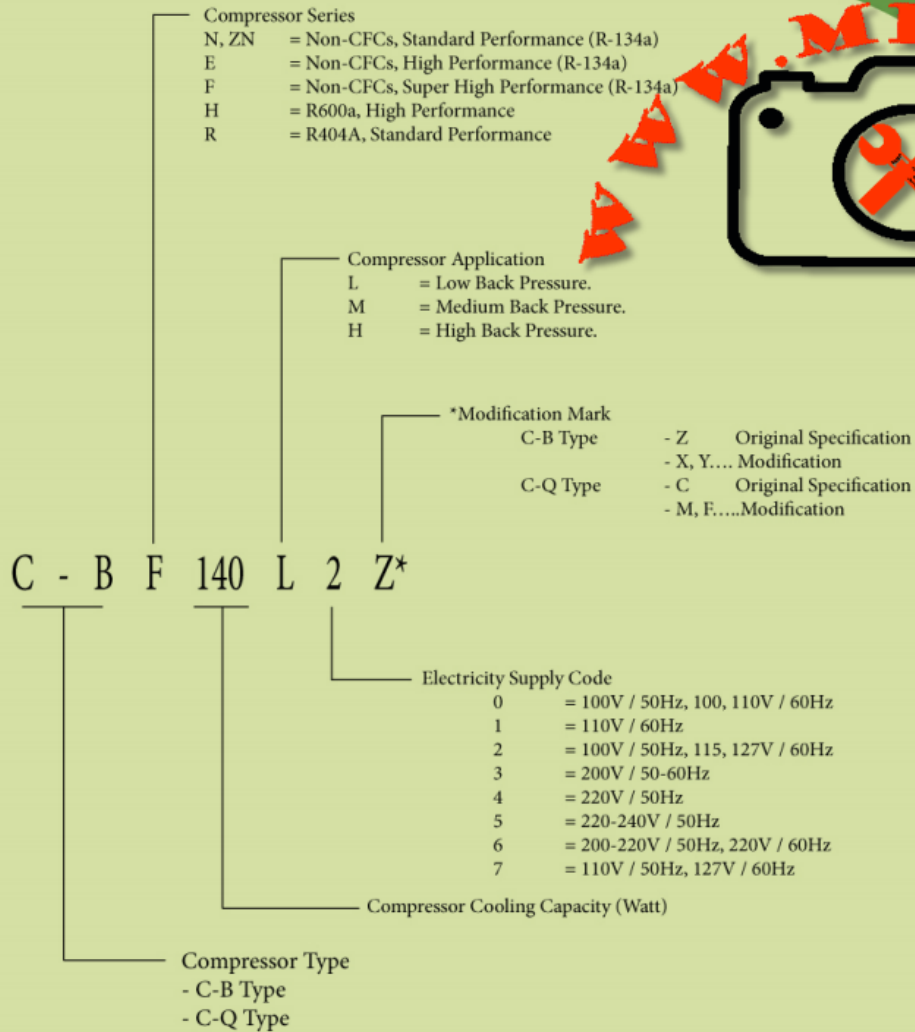
outside the range for which the compressor is approved, there is internal damage to

the compressor, or there is some other reason why the compressor is incapable of

starting



## Model Number System



Private Picture Copyright : [WWW.MBSM.PRO](http://WWW.MBSM.PRO)

Mbsm\_dot\_pro\_private\_PDF\_2019-06-13\_110312\_technical\_bulletinTélécharger

Mbsm\_dot\_pro\_private\_PDF\_kpccatalogTélécharger

Mbsm\_dot\_pro\_private\_PDF\_KULTHORN-CATALOGUE\_webTélécharger

Mbsm\_dot\_pro\_private\_PDF\_Kulthorn-CatalogTélécharger

Mbsm\_dot\_pro\_private\_PDF\_Model-Number-SystemTélécharger



# KULTHORN

## COMPRESSOR

Private Picture Copyright : [WWW.MBSM.PRO](http://WWW.MBSM.PRO)

Name: Kulthorn Premier Company Limited (KPC)  
Established: December 1982  
Registered Capital: Baht 1,125 Million  
Address: 446/3 Moo 9 Chachoengsao – Nakornratchasima Road,  
Kabinburi Industrial Estate, Nongki, Kabinburi, Prachinburi 25160, Thailand  
Telephone: (037) 204835, 455516  
Fax: (037) 455525, 204844  
E-mail: sales\_kpc@kulthorn.com  
kamjorn@kulthorn.com  
Employees: 900 persons  
Land area: 91 rai (145,600 m<sup>2</sup>)  
Building of area: 41,500 m<sup>2</sup>  
Business Products: Hermetic Reciprocating Compressor (Scotch Yoke Mechanism)  
(Product under license SANYO Japan) Size 30-250 Watt.

**Compressor series / Refrigerant**

C-BN, C-BZN, C-BE, C-BF / R-134a  
C-QN / R-134a  
C-BH / R-600a  
C-BR / R-404A

Shareholder: Kulthorn Kirby Public Company Limited 100%  
Customers: **Domestic** – Haier, Sanyo, Toshiba, Hitachi, Daewoo, Samsung, Sanden, etc.  
**Total = 35%**  
**Export** – Daewoo, Sanyo Group, GE, Sanden, Haier, Singer, Videocon,  
Toshiba, etc.  
**Total = 65%**

Quality System: ISO 9001:2000 Certified by TUV Nord Year 2003  
Q-Mark Certified by F.T.I. Year 2007



Private Picture Copyright: WWW.MBSM.PRO

COMPRESSEUR, DANFOSS, SECOP, NL7.3MF,  
105G6772 195B0370, 105G, 6773, R134a,  
1/5 Hp, cylindrée 7.27 cc,  
displacement 7.27 cc, MBP

Category: compressor

written by www.mbsm.pro | 13 January 2021



Private Picture Copyright : WWW.MBSM.PRO

COMPRESSEUR, DANFOSS, SECOP, NL7.3MF, 105G6772 195B0370, 105G, 6773, R134a, 1/5 Hp, cylindrée 7.27 cc, déplacement 7.27 cc, MBP

Compresseur, Commercial Compressor, Disp. 11.80cc, KONOR, GPY12AF, R134a, 200-240v , 1/3 Hp, 325w, GQR60AA, GPY12AF, GP16MG, GBY16AF, GQY70AA, DH136C25B, présentoir 420L, CSIR , LBP

Category: compressor

written by www.mbsm.pro | 13 January 2021



Private Picture Copyright : [WWW.MBSM.PRO](http://WWW.MBSM.PRO)

Modèle	Bloc d'alimentation	Déplacement (³ de cm)	Capacité de refroidissement (w)	Puissance nominale (w)	COP (W/W)	Type de moteur	Emballage (Pcs/palette)	1x 20 FCL (PCs)
GPY12AF	200-240V/50Hz	11.8	325	244	1.33	CSIR	80	2000

**spécification**

DRIV à moteur hermétique en le compresseur du type à bielle de piston. Avec démarrage par relais de type marteau et équipé d'un protecteur de surcharge.

#### Application

Largement utilisé dans les réfrigérateurs domestiques et commerciaux, les armoires à rideaux d'air, les vitrines, les machines à glaçons, les refroidisseurs, les déshumidificateurs, etc.

Série de compresseurs haute efficacité R134aLBP

Modèle: GPY12AF

Puissance: 1 / 3HP

Déplacement: 11,8 cm<sup>3</sup>

Capacité: 325w

COP: 1,36 W

Tension: 200-240V / 50HZ

Manière de moteur: CSIR

Application: LBP

Type de refroidissement: refroidissement par ventilateur

Hauteur: 210 mm

Poids net: 12,9 kg

Dimension: 210 \* 162 \* 237.2 (millimètre)

Conditions d'essai (ASHRAE)

Température d'évaporation -23,3 ° C

Température de condensation 54,4 ° C

Température de sous-refroidissement 32,2 ° C

Température d'aspiration 32,2 ° C

Température ambiante 32,2 ° C

Conversion:

1 watt = 3,41 Btu / h = 0,86 kcal / h

**Compresseur konor GPY12AF par un présentoir de bière Quilmes 420L.**

**Modèle GPY12AF**

**Alimentation 200-240V / 50Hz**

**Cylindrée (cm<sup>3</sup>) 11,8**

**Capacité de refroidissement (W) 325**

**Puissance nominale (W) 244**

**COP (W / W ) 1.33**

**Type de moteur CSIR LBP**

**Equivalent 1/3 MTC EMBRACO modèle FFI-12-HBK pour R134.**

KONOR	Displ.	power	Motor type	V/Hz	Cooling capacity	W <sub>Net</sub>	Weight	KG
GQR60AA	61/6		RSIR	220-240V/50Hz		140		9.4
GQR70AA	6.61/5		RSIR	220-240V/50Hz		165		9.4
GQR80AA	8.11/4		RSIR	220-240V/50Hz		198		9.4
GQR90AA	9.11/4		RSIR	220-240V/50Hz		220		10.1
GQY99AA	9.91/4		RSIR	220-240V/50Hz		270		10.9
GQY12AF	11.81/3		CSIR	220-240V/50Hz		325		10.56
GQY16AF	16.23/8		CSIR	220-240V/50Hz		380		12.1
GP16MG	16.25/8		CSIR	220-240V/50Hz		870		12.5
GP12MG	11.85/8		CSIR	220-240V/50Hz		656		10.9
GP12TG	11.83/8		CSIR	220-240V/50Hz		1140		11.8
GQR80TG	8.11/4		CSIR	220-240V/50Hz		730		9.8
GQR90TG	9.11/4		CSIR	220-240V/50Hz		830		10.5
GQR60TG	61/5		CSIR	220-240V/50Hz		520		9.8

KONON

GPY12AF

220-240V~50Hz

R134a

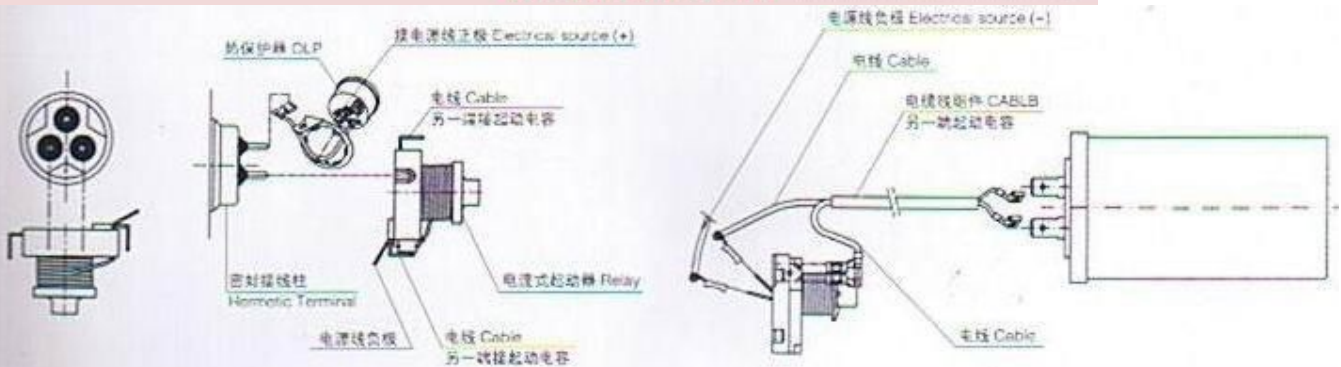


11.11.2013

KONON ELECTROMECHANICS CO., LTD 01071.908



Private Picture Copyright : WWW.MBSM.PRO



Private Picture Copyright : WWW.MBSM.PRO

## R134a 系列 | R134a Range

220-240 V / 50Hz

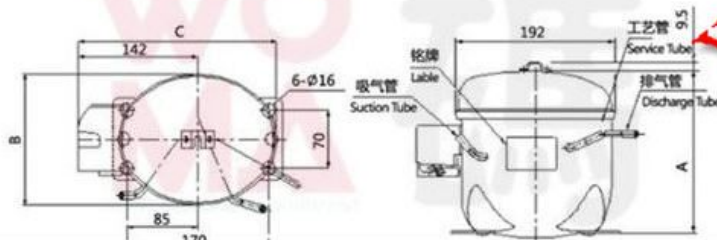
Cliquez pour traduire les images

型号 Model	排气 容积 Displ. cm <sup>3</sup>	电机 功率 Power HP	电机 类型 Motor Type	电压频率 Volt.-Frequency V/Hz	制冷量 Cooling Capacity w	输入功率 Input Power without RC w	with RC w	性能系数 COP without RC w/w	with RC w/w	高度 Height (A) mm	净重 Net Weight kg
GQR45AA	4.6	1/8	RSIR	220-240V/50Hz	110	96		1.15		176	8.8
GQR60AA	6.0	1/6	RSIR	220-240V/50Hz	140	116		1.21		176	9.4
GQR70AA	6.6	1/5	RSIR	220-240V/50Hz	165	136		1.21		176	9.4
GQR80AA	8.1	1/4	RSIR	220-240V/50Hz	198	166		1.19		186	9.4
GQR90AA	9.1	1/4	RSIR	220-240V/50Hz	220	184		1.19		186	10.1
GQY45AA	4.6	1/8	RSIR/RSCR	220-240V/50Hz	123	99	95	1.24	1.30	176	9.3
GQY60AA	6.0	1/6	RSIR/RSCR	220-240V/50Hz	157	115	112	1.36	1.40	176	9.4
GQY70AA	6.6	1/5	RSIR/RSCR	220-240V/50Hz	175	126	121	1.39	1.45	186	10.0
GQY80AA	8.1	1/4	RSIR/RSCR	220-240V/50Hz	222	164	158	1.35	1.41	186	10.3
GQY90AA	9.1	1/4	RSIR/RSCR	220-240V/50Hz	245	184	176	1.33	1.39	186	10.3
GQY99AA	9.9	1/4	RSIR/RSCR	220-240V/50Hz	270	203	194	1.33	1.39	199	10.9



Private Picture Copyright : WWW.MBSM.PRO

型号 Model	排气 容积 Displ. cm <sup>3</sup>	电机 功率 Power HP	电机 类型 Motor Type	电压频率 Volt.-Frequency V/Hz	制冷量 Cooling Capacity w	输入功率 Input Power without RC w with RC w	性能系数 COP without RC w/w with RC w/w	高度 Height (A) mm	净重 Net Weight kg
GQR60TG	6.0	1/5	CSIR	200-220V/50Hz 220-230V/60Hz	520 600	260 290	2.00 2.10	176	9.8
GQR80TG	8.1	1/4	CSIR	200-220V/50Hz 220-230V/60Hz	730 800	340 380	2.15 2.10	186	10.8
GQR90TG	9.1	1/4	CSIR	200-220V/50Hz 220-230V/60Hz	830 920	370 436	2.24 2.24	186	10.8
GP12TG	11.8	3/8	CSIR	200-220V/50Hz	1140	520	2.19	199	11.8



Private Picture Copyright : WWW.MBSM.PRO

## R134a 系列 | R134a Range

Cliquez pour traduire les images

200-220 V / 50Hz, 220-230 V / 60Hz

展示柜专用 | For Display Cabinet

型号 Model	排气 容积 Displ. cm <sup>3</sup>	电机 功率 Power HP	电机 类型 Motor Type	电压频率 Volt.-Frequency V/Hz	制冷量 Cooling Capacity w	输入功率 Input Power without RC w with RC w	性能系数 COP without RC w/w with RC w/w	高度 Height (A) mm	净重 Net Weight kg
GP12MG	11.8	5/8	CSIR	200-220V/50Hz 220-230V/60Hz	656 788	400 476	1.64 1.66	203	10.8
GP16MG	16.2	5/8	CSIR	200-220V/50Hz 220-230V/60Hz	870 975	560 610	1.55 1.60	212	11.2

Private Picture Copyright : WWW.MBSM.PRO

200-240V / 50Hz

上海珂纳压缩机-低背压  
 Cliquez pour traduire les images

型号	制冷量 W	输入功率 W	代替型号1	代替型号2	备注
GQR60AA	140	116	华意HYE55Y63		
GQR70AA	165	136	华意HYE60YL		
GQR80AA	198	166	华意HYE69Y63		
GQR90AA	220	184	华意HYE81Y		
GQY99AA	270	203	华意HY90Y		
GPY12AF	325	244	华意HY113Y		
GPY16AF	380	292	华意HY131Y		

200-220V / 50Hz, 220-230V / 60Hz 上海珂纳压缩机-高背压

型号	制冷量 W	输入功率 W	代替型号1	代替型号2	备注
GQR90TG	830	370	华意HYE81YZ		
GP12TG	1140	520	华意HY131YZ		
GP12MG	1140	520	华意HY131YZ		
GP16MG	1430	650	华意HY153YZ		

Private Picture Copyright : WWW.MBSM.PRO

# Tecumseh, competitive, cross, RG211-12, RG211, 1/4 hp , 1150 BTU, R134a, 1.29 FLA, 12.0 LRA, 220v-240v0/60hz

Category: compressor

written by www.mbsm.pro | 13 January 2021



Competitive Cross Referenc

Americold BW & Hupp	App-Ref	Volt/Hz/Ph	Btu/h	Tecumseh Model
<b>LT-R134a (continued)</b>				
GP16FE	LT-R134a	115/60/1	1440	AEA2413YXA
GRG105-1	LT-R134a	115/60/1	580	AEA1360YXA
GRG106-1	LT-R134a	115/60/1	670	AEA1360YXA
GRG107-1	LT-R134a	115/60/1	740	TPA1380YXA
GRG108-1	LT-R134a	115/60/1	840	TPA1380YXA
GRG109-1	LT-R134a	115/60/1	970	TPA1390YXA
GRG205-1	LT-R134a	115/60/1	580	AEA1360YXA, OIL COOLER
GRG206-1	LT-R134a	115/60/1	670	AEA1360YXA
GRG207-1	LT-R134a	115/60/1	740	TPA1380YXA
GRG208-1	LT-R134a	115/60/1	840	TPA1380YXA
GRG209-1	LT-R134a	115/60/1	970	TPA1390YXA
GRH104-1	LT-R134a	115/60/1	475	N/A
GRH105-1	LT-R134a	115/60/1	590	AEA1360YXA
GRH106-1	LT-R134a	115/60/1	675	AEA1360YXA
GRH107-1	LT-R134a	115/60/1	770	TPA1380YXA
GRH108-1	LT-R134a	115/60/1	880	TPA1380YXA
GRH109-1	LT-R134a	115/60/1	990	TPA1390YXA
GRH110-1	LT-R134a	115/60/1	1050	AEA2410YXA, TP1410YXA
RF107-1	LT-R134a	115/60/1	740	TPA1380YXA
RF108-1	LT-R134a	115/60/1	858	TPA1380YXA
RG107-1	LT-R134a	115/60/1	730	TPA1380YXA
RG108-1	LT-R134a	115/60/1	845	TPA1380YXA
RG109-1	LT-R134a	115/60/1	910	TPA1390YXA
RG111-1	LT-R134a	115/60/1	1150	AEA2410YXA, TPA1410YXA
RG113-1	LT-R134a	115/60/1	1300	AEA2413YXA
RG211-1	LT-R134a	115/60/1	<b>1150</b>	AEA2410YXA, TPA1410YXA
RG213-1	LT-R134a	115/60/1	1325	AEA2413YXA
RH106-1	LT-R134a	115/60/1	674	AEA1360YXA



Private Picture Copyright : WWW.MBSM.PRO

Mbsm\_dot\_pro\_private\_PDF\_tecumseh\_competitive\_cross\_refTélécharger

Tecumseh, competitive, cross, RG211-12, 1/4 hp , 1150 BTU, R134a, 1.29 FLA, 12.0 LRA, 220v-240v0/60hz

Americold BW & Hupp App-Ref Volt/Hz/Ph Btu/h Tecumseh Model  
LT-R134a (continued)

GP16FE LT-R134a 115/60/1 1440 AEA2413YXA  
 GRG105-1 LT-R134a 115/60/1 580 AEA1360YXA  
 GRG106-1 LT-R134a 115/60/1 670 AEA1360YXA  
 GRG107-1 LT-R134a 115/60/1 740 TPA1380YXA  
 GRG108-1 LT-R134a 115/60/1 840 TPA1380YXA  
 GRG109-1 LT-R134a 115/60/1 970 TPA1390YXA  
 GRG205-1 LT-R134a 115/60/1 580 AEA1360YXA, OIL COOLER  
 GRG206-1 LT-R134a 115/60/1 670 AEA1360YXA  
 GRG207-1 LT-R134a 115/60/1 740 TPA1380YXA  
 GRG208-1 LT-R134a 115/60/1 840 TPA1380YXA  
 GRG209-1 LT-R134a 115/60/1 970 TPA1390YXA

GRH104-1 LT-R134a 115/60/1 475 N/A  
GRH105-1 LT-R134a 115/60/1 590 AEA1360YXA  
GRH106-1 LT-R134a 115/60/1 675 AEA1360YXA  
GRH107-1 LT-R134a 115/60/1 770 TPA1380YXA  
GRH108-1 LT-R134a 115/60/1 880 TPA1380YXA  
GRH109-1 LT-R134a 115/60/1 990 TPA1390YXA  
GRH110-1 LT-R134a 115/60/1 1050 AEA2410YXA, TP1410YXA  
RF107-1 LT-R134a 115/60/1 740 TPA1380YXA  
RF108-1 LT-R134a 115/60/1 858 TPA1380YXA  
RG107-1 LT-R134a 115/60/1 730 TPA1380YXA  
RG108-1 LT-R134a 115/60/1 845 TPA1380YXA  
RG109-1 LT-R134a 115/60/1 910 TPA1390YXA  
RG111-1 LT-R134a 115/60/1 1150 AEA2410YXA, TPA1410YXA  
RG113-1 LT-R134a 115/60/1 1300 AEA2413YXA  
RG211-1 LT-R134a 115/60/1 1150 AEA2410YXA, TPA1410YXA  
RG213-1 LT-R134a 115/60/1 1325 AEA2413YXA  
RH106-1 LT-R134a 115/60/1 674 AEA1360YXA  
RH107-1 LT-R134a 115/60/1 730 TPA1380YXA  
RH108-1 LT-R134a 115/60/1 840 TPA1380YXA  
RH109-1 LT-R134a 115/60/1 980 AEA2410YXA, TPA1410YXA  
RH110-1 LT-R134a 115/60/1 990 AEA2410YXA, TPA1410YXA  
LT-R22  
CL25A LT-R22 115/60/1 1210 AEA1411EXA  
CL33A LT-R22 115/60/1 1520 N/A  
L50A LT-R22 115/60/1;  
208-230/60/1 SPECIAL N/A  
OSG107-1 LT-R22 115/60/1 766 AEA0415EXA  
OSG207-1 LT-R22 115/60/1 766 AEA0415EXA, OIL COOLER  
OSG212-1 LT-R22 115/60/1 1254 AKA9428EXA  
LT-R404A  
HP310-1 LT-R404A 115/60/1 1080 AEA2410ZXA  
HP317-1 LT-R404A 115/60/1 1700 N/A  
HP321-1 LT-R404A 115/60/1 2000 AJA2419ZXA  
HP327-1 LT-R404A 115/60/1 2580 AJA2425ZXA  
MP12FG LT-R404A 220-230/60/1 2111 N/A  
MP14FG LT-R404A 220-230/60/1 2523 AJA2525ZXD  
MT-R12  
AYCM33 MT-R12 115/60/1 2800 N/A  
AYM33 MT-R12 115/60/1 2800 N/A  
AYM50 MT-R12 115/60/1 SPECIAL N/A  
CM25 MT-R12 115/60/1 2540 N/A  
CM33 MT-R12 115/60/1 3160 AKA9434AXA



Americold BW & Hupp	App-Ref	Volt/Hz/Ph	Btu/h	Tecumseh Model
<b>LT-R134a (continued)</b>				
GP16FE	LT-R134a	115/60/1	1440	AEA2413YXA
GRG105-1	LT-R134a	115/60/1	580	AEA1360YXA
GRG106-1	LT-R134a	115/60/1	670	AEA1360YXA
GRG107-1	LT-R134a	115/60/1	740	TPA1380YXA
GRG108-1	LT-R134a	115/60/1	840	TPA1380YXA
GRG109-1	LT-R134a	115/60/1	970	TPA1390YXA
GRG205-1	LT-R134a	115/60/1	580	AEA1360YXA, OIL COOLER
GRG206-1	LT-R134a	115/60/1	670	AEA1360YXA
GRG207-1	LT-R134a	115/60/1	740	TPA1380YXA
GRG208-1	LT-R134a	115/60/1	840	TPA1380YXA
GRG209-1	LT-R134a	115/60/1	970	TPA1390YXA
GRH104-1	LT-R134a	115/60/1	475	N/A
GRH105-1	LT-R134a	115/60/1	590	AEA1360YXA
GRH106-1	LT-R134a	115/60/1	675	AEA1360YXA
GRH107-1	LT-R134a	115/60/1	770	TPA1380YXA
GRH108-1	LT-R134a	115/60/1	880	TPA1380YXA
GRH109-1	LT-R134a	115/60/1	990	TPA1390YXA
GRH110-1	LT-R134a	115/60/1	1050	AEA2410YXA, TP1410YXA
RF107-1	LT-R134a	115/60/1	740	TPA1380YXA
RF108-1	LT-R134a	115/60/1	858	TPA1380YXA
RG107-1	LT-R134a	115/60/1	730	TPA1380YXA
RG108-1	LT-R134a	115/60/1	845	TPA1380YXA
RG109-1	LT-R134a	115/60/1	910	TPA1390YXA
RG111-1	LT-R134a	115/60/1	1150	AEA2410YXA, TPA1410YXA
RG113-1	LT-R134a	115/60/1	1300	AEA2413YXA
RG211-1	LT-R134a	115/60/1	1150	AEA2410YXA, TPA1410YXA
RG213-1	LT-R134a	115/60/1	1325	AEA2413YXA
RH106-1	LT-R134a	115/60/1	674	AEA1360YXA



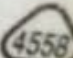
RG211-12

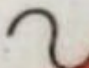


3066



0027505

220V-240V 

50/60 Hz 

1.29 FLA 12.0 LRA

7:51 2407

3/5/1998

AMERICOLD

THERMALLY PROTECTED

R134a \* 1623-3566



# R134a, LBP, Mini Commerciale, 1/5hp compresseur, réfrigérateur, QD75H, 150W

Category: compressor

written by [www.mbsm.pro](http://www.mbsm.pro) | 13 January 2021



QD75H



220-240V-50/60Hz 1PH

R134a

NO. 2002505



RoHS

CB



CE

Hangzhou Qianjiang Refrigeration Group Co.,Ltd

# Caractéristiques

Compresseur de réfrigérateur 1 / 5HP R134A pour réfrigérateur

Compresseur AC: R134A Hermetic LBP Piston Reciprocationg

Modèle de compresseur : QD75H

Alimentation: 220 ~ 240V / 50Hz

Déplacement: 7.5CC

Capacité de refroidissement: 180W

Puissance nominale: 150W

Puissance nominale: 1 / 5HP

COP: 1,2 W / W

Type de moteur: Relais de

démarrage RSIR :

Type de refroidissement PTC : S

Application: LBP

Certification: CE

1x20'FCL: 1920PCS

Application:

LBP: Faible contre-pression; Réfrigérateur, congélateur, cave à vin

MBP: Contre-pression moyenne; Climatiseur, distributeur automatique

HBP: Contre-pression élevée; Climatiseur, machine à glaçons

Condition du test LBP ASHRAE:

Température d'Evaporation: -23,3 ° C

Température de condensation: 54,4 ° C

Température de sous-refroidissement: 32,2 ° C

Température ambiante: 32,2 ° C

MBP ASHRAE Condition de test:

Evaporation Température: -5 ° C

Température de condensation: 54,4 ° C

Température ambiante: 35 ° C

Sous-refroidissement température: 46,1

température d' aspiration: 35 ° C

RAP état ASHRAETest:

Evaporation température: 7.2° C

condensation température: 54.4° C

température ambiante: 35 ° C

sous – refroidissement température: 46.1° C

aspiration température: 35 ° C

Paramètre Plage de variation:

Capacité de refroidissement: ≥ 95 %

Puissance d'Inpurt: ≤ 115%

Courant: ≤ 110%

COP: ≥ 95%

Type de refroidissement:

S: refroidissement naturel

F1: refroidissement par ventilateur, diamètre du ventilateur de 200 mm, vitesse de l'air de 1,5 m / s

F2: refroidissement par ventilateur, diamètre du ventilateur de 200 mm, vitesse de l'air de 3 m / s

Conditions de test

Evap. Temp.: -23,3 ° C  
Cond. Temp.: 54,4 ° C  
Amb. Temp.: 32,2 ° C  
Aspiration. Temp .: 32,2 ° C  
Temp. De sous-refroidissement: 32,2 ° C

LBP ASHRAE

Modèle: QD75H  
Alimentation: 220-240V / 50Hz  
Cylindrée (cm³): 7,5  
Capacité de refroidissement (W): 180  
Puissance nominale (W): 164  
Puissance nominale (HP ): 1/5  
COP (W / W): 1,097

Courant

nominal (A): 1,35 Type de moteur:  
Condensateur RSIR (µ F): /  
Relais de démarrage: Relais d'application  
Type de refroidissement: S  
Emballage (PCS / palette): 100

1 × 20'FCL (PCS): 2000

Caractéristiques

1. Petite taille,
2. Haute efficacité et fiabilité
3. Performance de départ fiable
4. Faible son et vibration

1. Application LBP, utilisé pour la fontaine à boire, le réfrigérateur, le congélateur, l'armoire à alcool, la machine à glaçons et d'autres machines de réfrigération de taille moyenne et petite.

2. 220V-240V / 50-60HZ
3. utiliser le réfrigérant R134a
4. avec certification CCC / CE / VDE

Compresseurs 220V-240V / 50-60HZ: La série WT se caractérise principalement par une forte capacité de charge, de bonnes performances de démarrage, un faible bruit et une bonne fiabilité La

série WT est dans une structure de bielle et de manivelle entièrement fermée et avec piston alternatif en mode d'aspiration semi-directe

PARAMÈTRE DE PERFORMANCE DU COMPRESSEUR R134a-LBP

		Evap. Température: -23,3 ° C	Cond. Température: 54,4 ° C
Compresseur à faible contre-pression (LBP) Wansheng R134a	Conditions d'essai	Amb. Température: 32,2 ° C	Succion. Température: 32,2 ° C
		Temp de sous-refroidissement: 32,2 LBP ASHRAE ° C	

Modèle	Déplacement (cm³)	Capacité de refroidissement (W)	Puissance nominale (W)	Puissance nominale (HP)	COP (W / W)	Type de moteur	Condensateur (µF)	Relais de départ	Type de refroidissement
--------	-------------------	---------------------------------	------------------------	-------------------------	-------------	----------------	-------------------	------------------	-------------------------

Série WT 220-240V / 50-60Hz

QD75H 7,5      180/200      150/154      1/5      1,2 / RSIR / 1,3      PTC      S

Compresseur de réfrigération série QD R134a (220V-240V / 50Hz)

Modèle	Déplacer (cm3)	Moteur type	Refroidissement type	Capacité							FLIC (W / W)	Moteur contribution (w)	Charge d'huile (cm3)
				-35 °	-30 °	-25 °	-23,3 °	-20 °	-15 °	-23,3 °			
QD25H	2,5	RSIR	S	32	45	58	65	85	105	0,85	76	140	
QD30H	3	RSIR	S	38	53	68	76	98	120	1	76	140	
QD35H	3,5	RSIR	S	45	60	79	88	115	140	1	88	140	
QD43H	4.3	RSIR	S	57	80	103	115	150	185	1.1	105	160	
QD52H	4,9	RSIR	S	68	95	122	136	176	218	1,18	115	160	
QD59H	5.5	RSIR	S	79	110	143	158	205	253	1,3	122	180	
QD65H	6.2	RSIR	S	88	123	158	176	228	280	1,3	135	180	
QD75H	6,6	RSIR	S	98	136	176	195	253	312	1,3	150	180	
QD91H	8.3	RSIR	S / F	115	160	210	230	300	268	1,3	177	180	
QD110H	dix	RSIR	F	145	205	260	290	380	465	1,45	200	220	
QD128H	11,1	RSIR	F	165	230	298	330	430	530	1,43	230	220	
QD142H	13,5	CSIR	F	180	250	325	360	470	580	1,31	275	250	
QD158H	14,8	CSIR	F	195	275	350	390	505	625	1,26	310	250	

<b>Points forts</b>	
Type	Type de LBP
Tension (V)	220
Fréquence (Hz)	50/60
<b>Capacité de refroidissement</b>	
Kcal / h	155/172
W	180/200
Btu / h	614/682
Consommation d'énergie (W)	163/166
Réfrigérant	R134a
<b>Spécifications générales</b>	
Déplacement (CC)	7,0
EER Btu / Wh	3,77 / 4,11
Performance (selon ASHRAE)	ASHARE-23.3°/54.4°@50Hz

HP (50 Hz)	1/5
Déplacement (cm <sup>3</sup> )	7,0
Capacité (W)	180/195
COP (w / w)	1,1 * 1,2
Type de moteur	RSIR
Appareil de démarrage	PTC
Refroidissement	S
Application	R134a LBP
(V / Hz)	220V 50Hz / 60Hz

Compresseur de réfrigérateur 1 / 5HP R134A pour réfrigérateur

Compresseur AC: R134A Hermetic LBP Piston Reciprocationg

Modèle de compresseur : QD75H

Alimentation: 220 ~ 240V / 50Hz

Déplacement: 7.5CC

Capacité de refroidissement: 180W

Puissance nominale: 150W

Puissance nominale: 1 / 5HP

COP: 1,2 W / W

Type de moteur: Relais de  
démarrage RSIR :

Type de refroidissement PTC : S

Application: LBP

Certification: CE

1x20'FCL: 1920PCS

Application:

LBP: Faible contre-pression; Réfrigérateur, congélateur, cave à vin

MBP: Contre-pression moyenne; Climatiseur, distributeur automatique

HBP

:

Contre -pression élevée: Climatiseur, machine à glaçons Condition du test LBP

ASHRAE: Evaporation Température: -23,3 ° C

Température de condensation: 54,4 ° C

Température de sous-refroidissement: 32,2 ° C

Température ambiante: 32,2 ° C

MBP ASHRAE Condition d'essai:

Evaporation Température: -5 ° C

Température de condensation: 54,4 ° C

Température ambiante: 35 ° C

Température de sous-refroidissement: 46,1

Température d'aspiration: 35 ° C

HBP ASHRAE Test condition:

Evaporation Température: 7,2 ° C

Température de condensation: 54,4 ° C

Température ambiante: 35 ° C

Température de sous-refroidissement: 46,1 ° C

Température d'aspiration: 35 ° C

Plage de variation des paramètres:

Capacité de refroidissement:  $\geq 95\%$

Puissance absorbée:  $\leq 115\%$

Courant:  $\leq 110\%$

COP:  $\geq 95\%$

Type de refroidissement:

S: refroidissement naturel

F1: Ventilateur de refroidissement, diamètre du ventilateur 200 mm, vitesse de l'air de 1,5 m / s

F2: Refroidissement du ventilateur, diamètre du ventilateur de 200 mm, vitesse de l'air de 3 m / s



QD75H



220-240V~50/60Hz 1PH

R134a

NO. 2002505



RoHS

CB



CE

Hangzhou Qianjiang Refrigeration Group Co.,Ltd



## Compresseur, Danfoss, SC15G, R134a, 1/2HP, 50/60Hz

Category: compressor

written by [www.mbsm.pro](http://www.mbsm.pro) | 13 January 2021

## Design

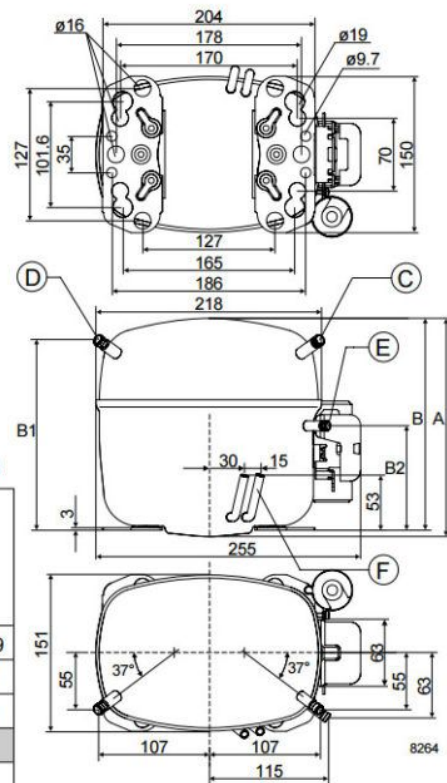
Displacement	cm <sup>3</sup>	15.28
Oil quantity	cm <sup>3</sup>	600 (550 on comp. with oil cooler)
Maximum refrigerant charge	g	1300
Free gas vol. in compressor	cm <sup>3</sup>	1410
Weight without electrical equipment	kg	13.1

## Motor

Motor size	watt	385
LRA (rated after 4 sec. UL984) HST	A	14.8
Cut-in current HST	A	14.8
Resistance, main and start winding (25°C)	Ω	5.0/13.7
Approvals		EN 60335-2-34

## Dimensions

		104G8530	104G8520	104G8525
Height	mm	A	209	
		B	203	
		B1	183	
		B2	100	
Suction connector	location/I.D. mm	C	10.2 ±0.09	10.2 ±0.09
Process connector	location/I.D. mm	D	6.2 ±0.09	6.2 ±0.09
Discharge connector	location/I.D. mm	E	6.2 ±0.09	6.5 ±0.09
Oil cooler	location/I.D. mm	F	6.2 ±0.09	
Compressors on a pallet	pcs.		80	



Private Picture Copyright : WWW.MBSM.PRO

# Données techniques

- Modèle: **SC15G**
- Gaz: **R-134a**
- Température/Pression: **Moyenne / Haute**
- Puissance: **1/2 HP**
- Voltage: **230 V**
- Type De Courant: **Monophasé**
- Fréquence: **50/60 Hz**
- Type De Compresseur: **Hermétique**
- Décalage: **15.28 cm<sup>3</sup>**
- Cons.Énergie -25°C: **233 W**
- Cons.Énergie -10°C: **440 W**
- Cons.Énergie -5°C: **497 W**
- Cons.Énergie 0°C: **549 W**
- Cons.Énergie +5°C: **595 W**
- Cons.Énergie +7,2°C: **613 W**
- T° De Condensation: **55 °C**
- Capacité Frigorífica -25°C: **175 Kcal/h**
- Capacité Frigorífica -20°C: **308 Kcal/h**
- Capacité Frigorífica -15°C: **450 Kcal/h**
- Capacité Frigorífica -10°C: **604 Kcal/h**
- Capacité Frigorífica -5°C: **775 Kcal/h**
- Capacité Frigorífica 0°C: **966 Kcal/h**
- Capacité Frigorífica 5°C: **1184 Kcal/h**
- Capacité Frigorífica 7.2°C: **1289 Kcal/h**
- Capacité Frigorífica 10°C: **1431 Kcal/h**
- Tipo Test: **Ashare 32**



### Design

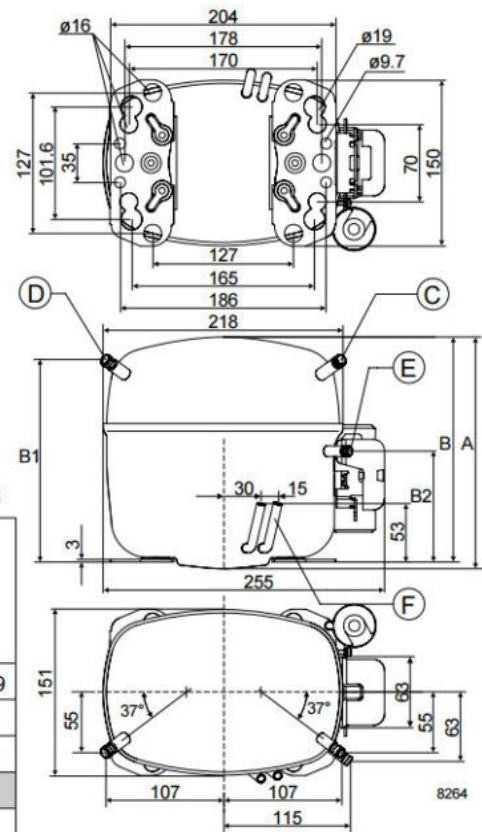
Displacement	cm <sup>3</sup>	15.28
Oil quantity	cm <sup>3</sup>	600 (550 on comp. with oil cooler)
Maximum refrigerant charge	g	1300
Free gas vol. in compressor	cm <sup>3</sup>	1410
Weight without electrical equipment	kg	13.1

### Motor

Motor size	watt	385
LRA (rated after 4 sec. UL984) HST	A	14.8
Cut-in current HST	A	14.8
Resistance, main and start winding (25°C)	Ω	5.0/13.7
Approvals		EN 60335-2-34

### Dimensions

		104G8530	104G8520	104G8525
Height	mm	A	209	
		B	203	
		B1	183	
		B2	100	
Suction connector	location/I.D. mm	C	10.2 ±0.09	10.2 ±0.09
Process connector	location/I.D. mm	D	6.2 ±0.09	6.2 ±0.09
Discharge connector	location/I.D. mm	E	6.2 ±0.09	6.5 ±0.09
Oil cooler	location/I.D. mm	F	6.2 ±0.09	
Compressors on a pallet	pcs.		80	



Private Picture Copyright : WWW.MBSM.PRO

Mbsm\_dot\_pro\_private\_PDF\_sc15gTélécharger

Mbsm\_dot\_pro\_private\_PDF\_sc15g\_104g7560\_r134a\_115v\_60hz\_01-2020\_desd404o322Télécharger

Mbsm\_dot\_pro\_private\_PDF\_sc15g\_104g8526\_r134a\_220v\_60hz\_01-2020\_desd403j302Télécharger

## Compresseur R134a / R600a Série AT / ET (170w-260w) Fiche technique

Category: compressor

written by www.mbsm.pro | 13 January 2021

# compresseur eta110

PERPLEXITÉ

Voir en détail

Le compresseur ETA110 est un type de compresseur de liquide de refroidissement HuaGuang qui utilise le réfrigérant R600a. Il s'agit d'un compresseur RSIR 1/4HP qui fonctionne à 220-240V et 50Hz avec une faible contre-pression (LBP) de 8kg. Il est couramment utilisé dans les systèmes de réfrigération pour les applications commerciales et industrielles.



5 SOURCES

Afficher la liste

- 1 gastroparts
- 2 gev-en ligne
- 3 nibets
- 4 réfrigérateur-polaire
- 5 okmarts

RAPPORT

quel est le prix du compresseur ETA110

où puis-je acheter le compresseur ETA110

Demander un suivi

Private Picture Copyright : WWW.MBSM.PRO

Fiche technique Dimensions Schéma de câblage

Compresseur R134a / R600a Série AT / ET (170w-260w)

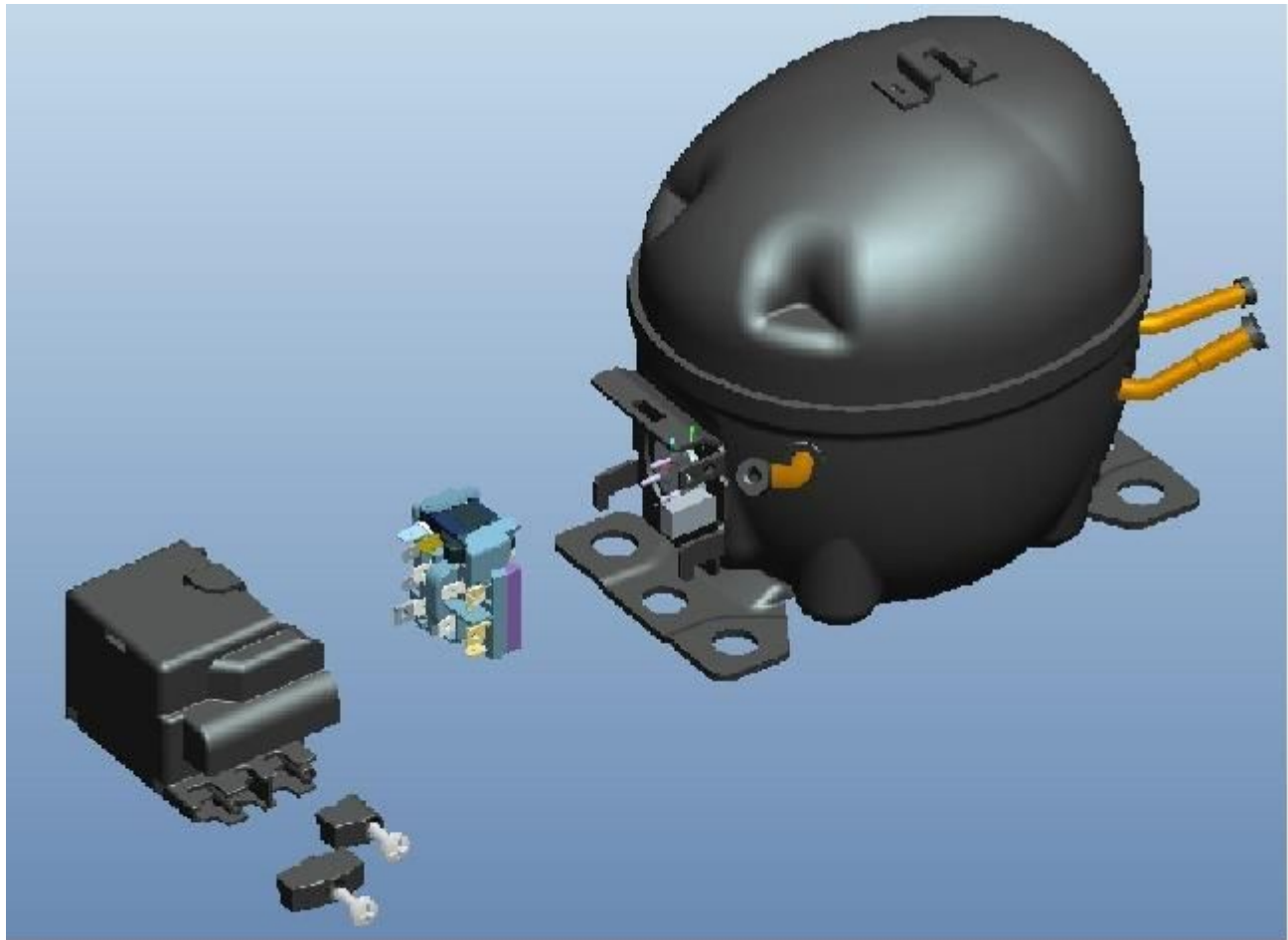
Compresseur à piston à piston hermétique de type alternatif entraîné par un moteur électrique interne. Eco-friendly conçu sans chlore pour protéger l'ozone. Haute efficacité et économie d'énergie. Démarrage facile Haute fiabilité Faible son et longévité. Avec relais PTC

The screenshot shows the same product page as above, but with a large red watermark 'WWW.MBSM.PRO' overlaid diagonally across the center. The content is identical to the previous block, including the title, description, sources list, and report section.

Private Picture Copyright : WWW.MBSM.PRO







Private Picture Copyright : [WWW.MBSM.PRO](http://WWW.MBSM.PRO)