

COMPRESSEUR, DANFOSS, SECOP, NL7.3MF,  
105G6772 195B0370, 105G, 6773, R134a,  
1/5 Hp, cylindrée 7.27 cc,  
displacement 7.27 cc, MBP

Category: compressor

written by [www.mbsm.pro](http://www.mbsm.pro) | 6 January 2021



Private Picture Copyright : [WWW.MBSM.PRO](http://WWW.MBSM.PRO)

COMPRESSEUR, DANFOSS, SECOP, NL7.3MF, 105G6772 195B0370, 105G, 6773, R134a, 1/5  
Hp, cylindrée 7.27 cc, displacement 7.27 cc, MBP

---

Kulthorn, Kulthorn Compressor, C-  
QType (RSCR), C-QH Series, C-B Type,  
CKVE, CKVR Series BLDC Compressor, C-  
BR Series, C3B (3 Phase) Type, CKVH  
Series BLDC Compressor, C-BZN Series,

compresseur, réfrigérateur, Sanyo, C-QN75L6F-L, 1/10Hp, 83w, 191 Btu / h, C-QN60L6, C-QN75L6, C-QN90L6, C-QN75L6, C-QN30L6, C-QN40L6, C-QN50L6

Category: compressor

written by [www.mbsm.pro](http://www.mbsm.pro) | 6 January 2021



Private Picture Copyright: [WWW.MBSM.PRO](http://WWW.MBSM.PRO)

Kulthorn produit le compresseur de réfrigérateur Sanyo, le compresseur de réfrigérateur identique à Sanyo est maintenant produit par le fabricant de compresseurs thaïlandais (Kulthorn), des nouvelles d'une source ont déclaré que l'usine de fabrication de compresseurs de Sanyo avait été achetée par Kulthorn Kirby Public Company Limited (Thaïlande) en collaboration avec le Premier Group Cette acquisition de compresseurs frigorifiques, autrefois synonyme de la marque Sanyo, porte désormais le nom de Kulthorn.

Je ne sais pas quand ce produit circulait sur le marché indonésien, dans le passé, le nouveau compresseur de réfrigérateur Sanyo était rarement vendu et même si son prix était assez cher mais il était de très bonne qualité, j'espère qu'il y a des importateurs qui veulent le distribuer ici et espèrent que le prix pourra être compétitif avec d'autres compresseurs de réfrigérateur. Je partage la liste des petits réfrigérateurs et des réfrigérateurs de taille moyenne (type CB). – **C-QN30L6** 31 watts, 106 Btu / h. – **C-QN40L6** 45 watts, 154 Btu / h – **C-**

**QN50L6** 56 watts, 191 Btu / h – **C-QN60L6** 65 watts, 222 Btu / h – **C-QN75L6** 83  
watts, 283 Btu / h – **C-QN90L6** 93 watts , 317 Btu / heure  
– **C-BZN50L6**  
50 watts, 171 Btu / h.  
– **C-BZN60L6**  
64 watts, 218 Btu / h.  
– C-BZN75L6  
80 watts, 273 Btu / h.  
– C-BZN90L6  
99 watts, 338 Btu / Hr  
– C-BZN100L6  
108 watts, 369 Btu / Hr  
– C-BZN110L6  
140 watts, 478 Btu / Hr.  
– C-BZN120L6  
154 watts, 526 Btu / h.  
– C-BZN140L6  
168 watts, 573 Btu / h.  
– C-BZN150L6  
190 watts, 648 Btu / h.  
– C-BZN160L6  
194 watts, 662 Btu / h.  
– C-BZN175L6  
208 watts, 710 Btu / h.  
– C-BZN200L6  
241 watts, 822 Btu / h.



Private Picture Copyright : [WWW.MBSM.PRO](http://WWW.MBSM.PRO)

Compresseur Sanyo C-BZN201L6Y, 1 / 4cv



Private Picture Copyright : WWW.MBSM.PRO

1/10 hp

C-QN Series (High Performance)														R134a				
1A7-S4200V / 50Hz, 60Hz.																		
C-QN30L0*	1/25	LBP	1.79	31	40	106	137	0.66	0.80	2.25	2.73	RSCR	N	**	**	3-5	200	154
C-QN40L0*	1/19	LBP	2.13	45	53	154	181	0.77	0.90	2.63	3.07	RSCR	N	**	**	3-5	200	154
C-QN50L0*	1/15	LBP	2.45	56	67	191	229	0.96	1.00	3.28	3.41	RSCR	N	**	**	3-5	200	167
C-QN60L0*	1/12	LBP	2.77	65	78	222	266	0.98	1.08	3.34	3.69	RSCR	N	**	**	3-5	200	167
C-QN75L0*	1/10	LBP	3.58	83	101	283	345	1.05	1.12	3.58	3.82	RSCR	N	**	**	3-5	200	177
C-QN90L0*	1/8	LBP	3.92	93	113	317	386	1.10	1.16	3.75	3.96	RSCR	N	**	**	3-5	200	177
C-QN100L0*	1/7	LBP	4.36	103	125	352	427	1.15	1.17	3.92	3.99	RSCR	N	**	**	3-5	200	177
100V / 50Hz., 115-127V / 60Hz.																		
C-QN30L2*	1/25	LBP	1.79	31	40	106	137	0.68	0.83	2.32	2.83	RSCR	N	**	**	8-10	200	154
C-QN40L2*	1/19	LBP	2.13	45	53	154	181	0.90	0.93	3.07	3.17	RSCR	N	**	**	8-10	200	154
C-QN50L2*	1/15	LBP	2.45	56	67	191	229	0.98	1.04	3.34	3.55	RSCR	N	**	**	8-10	200	167
C-QN60L2*	1/12	LBP	2.77	65	78	222	266	1.00	1.10	3.41	3.75	RSCR	N	**	**	8-10	200	167
C-QN75L2*	1/10	LBP	3.58	83	101	283	345	1.10	1.13	3.75	3.86	RSCR	N	**	**	8-10	200	177
C-QN90L2*	1/8	LBP	3.92	93	113	317	386	1.15	1.18	3.92	4.03	RSCR	N	**	**	8-10	200	177
C-QN100L2*	1/7	LBP	4.36	103	125	352	427	1.17	1.20	3.99	4.10	RSCR	N	**	**	8-10	200	177
220-240V / 50Hz.																		
C-QN30L5*	1/25	LBP	1.79	31	**	106	**	0.68	**	2.32	**	RSCR	N	**	**	3-5	350	154
C-QN40L5*	1/19	LBP	2.13	45	**	154	**	0.90	**	3.07	**	RSCR	N	**	**	3-5	350	154
C-QN50L5*	1/15	LBP	2.45	56	**	191	**	0.98	**	3.34	**	RSCR	N	**	**	3-5	350	167
C-QN60L5*	1/12	LBP	2.77	65	**	222	**	1.00	**	3.41	**	RSCR	N	**	**	3-5	350	167
C-QN75L5*	1/10	LBP	3.58	83	**	283	**	1.10	**	3.75	**	RSCR	N	**	**	3-5	350	177
C-QN90L5*	1/8	LBP	3.92	93	**	317	**	1.15	**	3.92	**	RSCR	N	**	**	3-5	350	177
C-QN100L5*	1/7	LBP	4.36	103	**	352	**	1.17	**	3.99	**	RSCR	N	**	**	3-5	350	177
200-220V / 50Hz., 220V / 60Hz.																		
C-QN30L6*	1/25	LBP	1.79	31	40	106	137	0.68	0.83	2.32	2.83	RSCR	N	**	**	3-5	350	154
C-QN40L6*	1/19	LBP	2.13	45	53	154	181	0.90	0.93	3.07	3.17	RSCR	N	**	**	3-5	350	154
C-QN50L6*	1/15	LBP	2.45	56	67	191	229	0.98	1.04	3.34	3.55	RSCR	N	**	**	3-5	350	167
C-QN60L6*	1/12	LBP	2.77	65	78	222	266	1.00	1.10	3.41	3.75	RSCR	N	**	**	3-5	350	167
C-QN75L6*	1/10	LBP	3.58	83	101	283	345	1.10	1.13	3.75	3.86	RSCR	N	**	**	3-5	350	177
C-QN90L6*	1/8	LBP	3.92	93	113	317	386	1.15	1.18	3.92	4.03	RSCR	N	**	**	3-5	350	177
C-QN100L6*	1/7	LBP	4.36	103	125	352	427	1.17	1.20	3.99	4.10	RSCR	N	**	**	3-5	350	177

Private Picture Copyright : WWW.MBSM.PRO

Mbsm\_dot\_pro\_private\_PDF\_KPC\_CatalogTélécharger  
Mbsm\_dot\_pro\_private\_PDF\_pdfNd10Télécharger



# Tecumseh, competitive, cross, RG211-12, RG211, 1/4 hp , 1150 BTU, R134a, 1.29 FLA, 12.0 LRA, 220v-240v0/60hz

Category: compressor

written by [www.mbsm.pro](http://www.mbsm.pro) | 6 January 2021



Competitive Cross Referenc

Americold BW & Hupp	App-Ref	Volt/Hz/Ph	Btu/h	Tecumseh Model
<b>LT-R134a (continued)</b>				
GP16FE	LT-R134a	115/60/1	1440	AEA2413YXA
GRG105-1	LT-R134a	115/60/1	580	AEA1360YXA
GRG106-1	LT-R134a	115/60/1	670	AEA1360YXA
GRG107-1	LT-R134a	115/60/1	740	TPA1380YXA
GRG108-1	LT-R134a	115/60/1	840	TPA1380YXA
GRG109-1	LT-R134a	115/60/1	970	TPA1390YXA
GRG205-1	LT-R134a	115/60/1	580	AEA1360YXA, OIL COOLER
GRG206-1	LT-R134a	115/60/1	670	AEA1360YXA
GRG207-1	LT-R134a	115/60/1	740	TPA1380YXA
GRG208-1	LT-R134a	115/60/1	840	TPA1380YXA
GRG209-1	LT-R134a	115/60/1	970	TPA1390YXA
GRH104-1	LT-R134a	115/60/1	475	N/A
GRH105-1	LT-R134a	115/60/1	590	AEA1360YXA
GRH106-1	LT-R134a	115/60/1	675	AEA1360YXA
GRH107-1	LT-R134a	115/60/1	770	TPA1380YXA
GRH108-1	LT-R134a	115/60/1	880	TPA1380YXA
GRH109-1	LT-R134a	115/60/1	990	TPA1390YXA
GRH110-1	LT-R134a	115/60/1	1050	AEA2410YXA, TP1410YXA
RF107-1	LT-R134a	115/60/1	740	TPA1380YXA
RF108-1	LT-R134a	115/60/1	858	TPA1380YXA
RG107-1	LT-R134a	115/60/1	730	TPA1380YXA
RG108-1	LT-R134a	115/60/1	845	TPA1380YXA
RG109-1	LT-R134a	115/60/1	910	TPA1390YXA
RG111-1	LT-R134a	115/60/1	1150	AEA2410YXA, TPA1410YXA
RG113-1	LT-R134a	115/60/1	1300	AEA2413YXA
RG211-1	LT-R134a	115/60/1	<b>1150</b>	AEA2410YXA, TPA1410YXA
RG213-1	LT-R134a	115/60/1	1325	AEA2413YXA
RH106-1	LT-R134a	115/60/1	674	AEA1360YXA



Private Picture Copyright : [WWW.MBSM.PRO](http://WWW.MBSM.PRO)

Mbsm\_dot\_pro\_private\_PDF\_tecumseh\_competitive\_cross\_refTélécharger

Tecumseh, competitive, cross, RG211-12, 1/4 hp , 1150 BTU, R134a, 1.29 FLA, 12.0 LRA, 220v-240v0/60hz

Americold BW & Hupp App-Ref Volt/Hz/Ph Btu/h Tecumseh Model  
LT-R134a (continued)

GP16FE LT-R134a 115/60/1 1440 AEA2413YXA  
 GRG105-1 LT-R134a 115/60/1 580 AEA1360YXA  
 GRG106-1 LT-R134a 115/60/1 670 AEA1360YXA  
 GRG107-1 LT-R134a 115/60/1 740 TPA1380YXA  
 GRG108-1 LT-R134a 115/60/1 840 TPA1380YXA  
 GRG109-1 LT-R134a 115/60/1 970 TPA1390YXA  
 GRG205-1 LT-R134a 115/60/1 580 AEA1360YXA, OIL COOLER  
 GRG206-1 LT-R134a 115/60/1 670 AEA1360YXA  
 GRG207-1 LT-R134a 115/60/1 740 TPA1380YXA  
 GRG208-1 LT-R134a 115/60/1 840 TPA1380YXA  
 GRG209-1 LT-R134a 115/60/1 970 TPA1390YXA

GRH104-1 LT-R134a 115/60/1 475 N/A  
GRH105-1 LT-R134a 115/60/1 590 AEA1360YXA  
GRH106-1 LT-R134a 115/60/1 675 AEA1360YXA  
GRH107-1 LT-R134a 115/60/1 770 TPA1380YXA  
GRH108-1 LT-R134a 115/60/1 880 TPA1380YXA  
GRH109-1 LT-R134a 115/60/1 990 TPA1390YXA  
GRH110-1 LT-R134a 115/60/1 1050 AEA2410YXA, TP1410YXA  
RF107-1 LT-R134a 115/60/1 740 TPA1380YXA  
RF108-1 LT-R134a 115/60/1 858 TPA1380YXA  
RG107-1 LT-R134a 115/60/1 730 TPA1380YXA  
RG108-1 LT-R134a 115/60/1 845 TPA1380YXA  
RG109-1 LT-R134a 115/60/1 910 TPA1390YXA  
RG111-1 LT-R134a 115/60/1 1150 AEA2410YXA, TPA1410YXA  
RG113-1 LT-R134a 115/60/1 1300 AEA2413YXA  
RG211-1 LT-R134a 115/60/1 1150 AEA2410YXA, TPA1410YXA  
RG213-1 LT-R134a 115/60/1 1325 AEA2413YXA  
RH106-1 LT-R134a 115/60/1 674 AEA1360YXA  
RH107-1 LT-R134a 115/60/1 730 TPA1380YXA  
RH108-1 LT-R134a 115/60/1 840 TPA1380YXA  
RH109-1 LT-R134a 115/60/1 980 AEA2410YXA, TPA1410YXA  
RH110-1 LT-R134a 115/60/1 990 AEA2410YXA, TPA1410YXA  
LT-R22  
CL25A LT-R22 115/60/1 1210 AEA1411EXA  
CL33A LT-R22 115/60/1 1520 N/A  
L50A LT-R22 115/60/1;  
208-230/60/1 SPECIAL N/A  
OSG107-1 LT-R22 115/60/1 766 AEA0415EXA  
OSG207-1 LT-R22 115/60/1 766 AEA0415EXA, OIL COOLER  
OSG212-1 LT-R22 115/60/1 1254 AKA9428EXA  
LT-R404A  
HP310-1 LT-R404A 115/60/1 1080 AEA2410ZXA  
HP317-1 LT-R404A 115/60/1 1700 N/A  
HP321-1 LT-R404A 115/60/1 2000 AJA2419ZXA  
HP327-1 LT-R404A 115/60/1 2580 AJA2425ZXA  
MP12FG LT-R404A 220-230/60/1 2111 N/A  
MP14FG LT-R404A 220-230/60/1 2523 AJA2525ZXD  
MT-R12  
AYCM33 MT-R12 115/60/1 2800 N/A  
AYM33 MT-R12 115/60/1 2800 N/A  
AYM50 MT-R12 115/60/1 SPECIAL N/A  
CM25 MT-R12 115/60/1 2540 N/A  
CM33 MT-R12 115/60/1 3160 AKA9434AXA



Americold BW & Hupp	App-Ref	Volt/Hz/Ph	Btu/h	Tecumseh Model
<b>LT-R134a (continued)</b>				
GP16FE	LT-R134a	115/60/1	1440	AEA2413YXA
GRG105-1	LT-R134a	115/60/1	580	AEA1360YXA
GRG106-1	LT-R134a	115/60/1	670	AEA1360YXA
GRG107-1	LT-R134a	115/60/1	740	TPA1380YXA
GRG108-1	LT-R134a	115/60/1	840	TPA1380YXA
GRG109-1	LT-R134a	115/60/1	970	TPA1390YXA
GRG205-1	LT-R134a	115/60/1	580	AEA1360YXA, OIL COOLER
GRG206-1	LT-R134a	115/60/1	670	AEA1360YXA
GRG207-1	LT-R134a	115/60/1	740	TPA1380YXA
GRG208-1	LT-R134a	115/60/1	840	TPA1380YXA
GRG209-1	LT-R134a	115/60/1	970	TPA1390YXA
GRH104-1	LT-R134a	115/60/1	475	N/A
GRH105-1	LT-R134a	115/60/1	590	AEA1360YXA
GRH106-1	LT-R134a	115/60/1	675	AEA1360YXA
GRH107-1	LT-R134a	115/60/1	770	TPA1380YXA
GRH108-1	LT-R134a	115/60/1	880	TPA1380YXA
GRH109-1	LT-R134a	115/60/1	990	TPA1390YXA
GRH110-1	LT-R134a	115/60/1	1050	AEA2410YXA, TP1410YXA
RF107-1	LT-R134a	115/60/1	740	TPA1380YXA
RF108-1	LT-R134a	115/60/1	858	TPA1380YXA
RG107-1	LT-R134a	115/60/1	730	TPA1380YXA
RG108-1	LT-R134a	115/60/1	845	TPA1380YXA
RG109-1	LT-R134a	115/60/1	910	TPA1390YXA
RG111-1	LT-R134a	115/60/1	1150	AEA2410YXA, TPA1410YXA
RG113-1	LT-R134a	115/60/1	1300	AEA2413YXA
RG211-1	LT-R134a	115/60/1	1150	AEA2410YXA, TPA1410YXA
RG213-1	LT-R134a	115/60/1	1325	AEA2413YXA
RH106-1	LT-R134a	115/60/1	674	AEA1360YXA



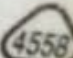
RG211-12

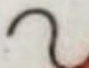


3066



0027505

220V-240V 

50/60 Hz 

1.29 FLA 12.0 LRA

7:51 2407

3/5/1998

AMERICOLD

THERMALLY PROTECTED

R134a \* 1623-3566



# COMPRESSEUR, EMBRACO, ASPERA, NEK6213GK, HMBP, 1/2+ hp, 614 W

Category: compressor

written by [www.mbsm.pro](http://www.mbsm.pro) | 6 January 2021

Specifications techniques			
Réfrigérant	R-404A - R-507A	Technologie de compresseur	Hermétique à piston
Application	Moyenne pression - Haute pression	Plage d'application	-20°C à +10°C
Type de tension	Monophasé	Tension	240 / 1 / 50
Cylindrée	12.1cm <sup>3</sup>	Puissance frigorifique @ -10°C	918W
Intensité maximale	6.01A	Type moteur	CSIR
Détente	Capillaire / Détendeur	Diamètre aspiration ODF	5/16"
Diamètre refoulement ODF	1/4"	Entraxes de fixation	170 x 70mm
Hauteur	206mm	Charge d'huile	0.35l

Private Picture Copyright : [WWW.MBSM.PRO](http://WWW.MBSM.PRO)

- Puissance frigorifique à -10°C 1305 W
- Puissance électrique à -10 °C 614 W
- Puissance en cheval 1/2+ CV
- Alimentation 220-240 V 50 Hz
- Gaz R404a/R507 HMBP
- Moyenne et haute pression
- Complet avec starter, condensateur, boîtier et système de fixation

Codes fabricants

- ALPENINOX (anciennement NE9213GK)
- ASCASO-VF.792 (anciennement NE9213GK)
- ASPERA-NE9213GK (anciennement NE9213GK)
- ELECTROLUX-85551 (anciennement NE9213GK)
- EMBRACO-NE9213GK (anciennement NE9213GK)
- EUNASA-21075 (anciennement NE9213GK)
- EURFRIGOR-RB000447 (anciennement NE9213GK)
- ITV-302035 (anciennement NE9213GK)
- WHIRLPOOL-485409918033 (anciennement NE9213GK)
- ZANUSSI-85551 (anciennement NE9213GK)
- ALPENINOX-91161
- ANGELO PO-3138720
- ASPERA-NEK6213GK
- ASPERA-NEK6213GK-CSIR
- ELECTROLUX-91161
- EMBRACO-NEK6213GK
- EMBRACO-NEK6213GK-CSIR
- EMMEPI-8C1300
- FAST RICAMBI-605.125
- GEV-605.125
- MIGEL-1RF173
- SAGI-3138720
- UGOLINI-22807-13010

- VND-605.125
- ZANUSSI-91161

**Compressor ASPERA NEK6213GK | NEK 6213 GK**

Refrigerant	R404A/R507
Working range[stC] MBP	-20 do +10
Nominal capacity [W] (evaporating temperature +7,2C, Condensing temperatur +54,4C)	1761
Power supply	220-240V 50Hz
Engine type	CSIR
Displacement [cm³]	12,11
Weight [kg]	11,6

Evaporating temperature +55 C

Evaporating Temperature	Cooling Capacity +/-5%			Power Consumption +/-5%	Current Consumption +/-5%	Gas Flow Rate +/-5%	Efficiency +/-7%	
	(kcal/h)	(W)	(Btu/h)				(kcal/Wh)	(W/W)
°C				(W)	(A)	(kg/h)		
-20	514	598	2.040	569	3,87	16,07	0,90	1,05
-15	643	747	2.551	642	4,13	20,19	1,00	1,16
-10	793	922	3.148	717	4,41	25,09	1,11	1,29
-5	966	1.124	3.835	792	4,70	30,85	1,22	1,42
0	1.163	1.352	4.615	868	5,02	37,57	1,34	1,56
5	1.384	1.610	5.493	946	5,36	45,32	1,46	1,70
10	1.631	1.896	6.472	1.025	5,72	54,18	1,59	1,85

**Substitutes for this compressor are:** Electrolux/Cubigel MP12TB , Danfoss/Secop SC10DL , L'Unite Hermetique/Tecumseh CAE9470Z

R404A

Refrigerant: ,  
R507

COMPRESSEUR EMBRACO NEK6213GK

220/240V 50Hz

puissance 1/2 Hp, le déplacement 12,12 cc

gaz réfrigérant R404a/R507 HMBP

**LES CODES DE FABRICANT**

091161 ALPENINOX

3138720 ANGELO PO

NEK6213GK ASPERA

NEK6213GK-CSIR ASPERA

091161 ELECTROLUX PROFESSIONNEL

NEK6213GK EMBRACO

NEK6213GK-CSIR EMBRACO

8C1300 EMMEPI

1RF173 MIGEL

3138720 SAGI

22807-13010 UGOLINI

091161 ZANUSSI

**Alimentation**  
**Chevaux**

220/240 V-50 Hz-1 Ph  
1/2 hp

Déplacement	12,11 cm <sup>3</sup>
Application	MHBP
Capacité frigorifique en conditions ASHRAE, R404A/R507	1,76 kW
Capacité frigorifique en conditions EN12900 MT, R404A/R507	0,97 kW
Réfrigérant	R404A, R452A, R507A
Aspiration	3/8"
Refoulement	1/4"
Poids	11,60 kg
Hauteur maximale	206 mm
LRA	19,30 A
Huile de recharge	350 cm <sup>3</sup>
Type d'huile	POE 22 ester
Autres remarques	Accessoires de démarrage inclus
Technologie	Vitesse fixe
Type de refroidissement moteur	Ventilateur
Type moteur	CSIR
Type protection moteur	External

Specifications techniques

Réfrigérant	R-404A - R-507A	Technologie de compresseur	Hermétique à piston
Application	Moyenne pression - Haute pression	Plage d'application	-20°C à +10°C
Type de tension	Monophasé	Tension	240 / 1 / 50
Cylindrée	12.1cm <sup>3</sup>	Puissance frigorifique @ -10°C	918W
Intensité maximale	6.01A	Type moteur	CSIR
Détente	Capillaire / Détendeur	Diamètre aspiration ODF	5/16"
Diamètre refoulement ODF	1/4"	Entraxes de fixation	170 x 70mm
Hauteur	206mm	Charge d'huile	0.35l





OPPO A1k

Private Picture Copyright : [WWW.MBSM.PRO](http://WWW.MBSM.PRO)

Mbsm\_dot\_pro\_private\_PDF\_nek6213GK-Catalogue\_EmbracoTélécharger  
Mbsm\_dot\_pro\_private\_PDF\_nek6213GK-Catalogue\_Embraco-1Télécharger

Designation	NEK6213GK
Nominal Voltage/Frequency	220-240 V 50 Hz
Engineering Number	959BA51

**A - APPLICATION / LIMIT WORKING CONDITIONS**

1 Type	Hermetic reciprocating compressor		
2 Refrigerant	R-404A		
3 Nominal voltage and frequency	220-240 / 50	[ V / Hz ]	
4 Application type	Medium Back Pressure (Commercial Compressors R404A)		
4.1 Evaporating temperature range	-20°C to 0°C	(-4°F to 32°F)	
5 Motor type	CSIR		
6 Starting torque	HST - High starting torque		
7 Expansion device	Capillary tube or Expansion valve		
8 Compressor cooling		Operating voltage range	
		50 Hz	60 Hz
8.1 LBP (32°C Ambient temperature)	-	-	-
8.2 LBP (43°C Ambient temperature)	-	-	-
8.3 HBP (32°C Ambient temperature)	-	-	-
8.4 HBP (43°C Ambient temperature)	-	-	-
9 Maximum condensing pressures/temperature			
9.1 Operating (gauge)	25.7	[kgf/cm <sup>2</sup> ] (365 psig)	/ °C - °F
9.2 Peak (gauge)	28.7	[kgf/cm <sup>2</sup> ] (408 psig)	/ °C - °F
10 Maximum winding temperature	130	[ °C ]	

**B - MECHANICAL DATA**

1 Commercial designation	1/2+	[hp]
2 Displacement	12.11	[cm <sup>3</sup> ] (0.739 cu.in)
2.1 Bore	27.775	
2.2 Stroke	10.000	
3 Lubricant charge	350	[ml] (11.84 fl.oz.)
3.1 Lubricants approved		
3.2 Lubricants type/viscosity	ESTER / ISO22	
4 Weight(with oil charge)	11.6	[kg] (25.57 lb.)
5 Nitrogen charge	0.2 to 0.3	[kgf/cm <sup>2</sup> ] (2.84 to 4.27 psig)

**C - ELECTRICAL DATA**

1 Nominal Voltage/Frequency/Number of Phases	220-240 V 50 Hz 1 ~ (Single phase)	
2 Starting device type	Current Relay	
2.1 Starting device		
3 Start capacitor	53-64(330)	[µf(VAC minimum)]
4 Run capacitor	-	[µf(VAC minimum)]
5 Motor protection (external)	T0743/G6	
6 Start winding resistance	20.88	[Ω at 25°C (77°F)] +/- 8%
7 Run winding resistance	3.93	[Ω at 25°C (77°F)] +/- 8%
8 LRA - Locked rotor amperage (50 Hz)	-	[A] - Measured according to UL 984
9 FLA - Full load amperage L/MBP (50 Hz)	-	[A] - Measured according to UL 984
10 FLA - Full Load Amperage HBP (50 Hz)	-	[A] - Measured according to UL 984
11 Approval boards certification	IMQ	

# Mitsubishi, Refrigeration, Compressor, for chiller, JH527YEB, 10HP, 380 à 420 V 50 Hz, 460 V 60 Hz, 29,7 kW, 74 kg, R22

Category: compressor, Non classé

written by [www.mbsm.pro](http://www.mbsm.pro) | 6 January 2021

Model	Horsepower	Power KW	Refrigeration capacity			Voltage	Weight kg	Highth mm
	HP		Frequency	KW	(kcal/h)			
JH512-Y	4HP	3.2	50Hz	13.1	11.3	N.T.Y.X. J	48.5	390.4
			60Hz	15.6	13.4			
JH513-Y	5HP	3.75	50Hz	14.3	12.3	N.T.Y.X. J	49	390.4
			60Hz	17	14.6			
JH515-Y	5.5HP	4.1	50Hz	16.3	14	N.T.Y.X. J	49	390.4
			60Hz	19.3	16.6			
JH516-Y	6HP	4.5	50Hz	17.1	15.2	T.Y	49	390.4
			60Hz	20.7	17.8			
JH517-Y	6.33HP	4.75	50Hz	18.7	16.1	T.Y.X.J	49	390.4
			60Hz	22	18.9			
JH518-Y	6.5HP	4.85	50Hz	19.9	17.1	T.Y.X	54.5	415.4
			60Hz	23.3	20			
JH519-Y	7.5HP	5	50Hz	21.3	18.3	T.Y.X.J	54.5	415.4
			60Hz	24.9	21.4			
JH521-Y	7.5HP	5.5	50Hz	23.3	20	T.Y.X.J	54.5	415.4
			60Hz	27.6	23.7			
JH522-Y	8HP	6	50Hz	25.1	21.6	T.Y.X	54.5	415.4
			60Hz	29.2	25.1			
JH525-Y	9.33HP	7	50Hz	27.3	23.5	T.Y.X.J	74.5	441.6
			60Hz	32	27.5			
JH527-Y	10HP	7.5	50Hz	29.7	25.5	T.Y.X.J	74.5	441.6
			60Hz	34.8	29.9			
JH529-Y	10.67HP	8	50Hz	31.9	27.4	T.Y.X	74.5	441.6

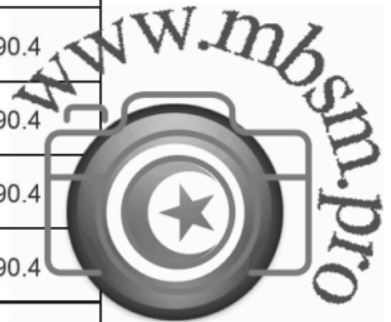


Private Picture Copyright : [WWW.MBSM.PRO](http://WWW.MBSM.PRO)

Mitsubishi Refrigeration Compressor JH527YEB 10HP

Données techniques

Model	Horsepower	Power	Refrigeration capacity			Voltage	Weight	Highth
	HP		KW	Frequenc y	KW			
JH512-Y	4HP	3.2	50Hz	13.1	11.3	N.T.Y.X. J	48.5	390.4
			60Hz	15.6	13.4			
JH513-Y	5HP	3.75	50Hz	14.3	12.3	N.T.Y.X. J	49	390.4
			60Hz	17	14.6			
JH515-Y	5.5HP	4.1	50Hz	16.3	14	N.T.Y.X. J	49	390.4
			60Hz	19.3	16.6			
JH516-Y	6HP	4.5	50Hz	17.1	15.2	T.Y	49	390.4
			60Hz	20.7	17.8			
JH517-Y	6.33HP	4.75	50Hz	18.7	16.1	T.Y.X.J	49	390.4
			60Hz	22	18.9			
JH518-Y	6.5HP	4.85	50Hz	19.9	17.1	T.Y.X	54.5	415.4
			60Hz	23.3	20			
JH519-Y	7.5HP	5	50Hz	21.3	18.3	T.Y.X.J	54.5	415.4
			60Hz	24.9	21.4			
JH521-Y	7.5HP	5.5	50Hz	23.3	20	T.Y.X.J	54.5	415.4
			60Hz	27.6	23.7			
JH522-Y	8HP	6	50Hz	25.1	21.6	T.Y.X	54.5	415.4
			60Hz	29.2	25.1			
JH525-Y	9.33HP	7	50Hz	27.3	23.5	T.Y.X.J	74.5	441.6
			60Hz	32	27.5			
JH527-Y	10HP	7.5	50Hz	29.7	25.5	T.Y.X.J	74.5	441.6
			60Hz	34.8	29.9			
JH529-Y	10.67HP	8	50Hz	31.9	27.4	T.Y.X	74.5	441.6



Private Picture Copyright : WWW.MBSM.PRO

## Production Description

compresseur de réfrigération mitsubishi  
modèle JH527YEB pour refroidisseur

Modèle	jh527yeb
Puissance en chevaux (Hp)	10,0
Réfrigérant	R22
An	2019
Couleur	Noir
Moq	1
type	Piston
Poids (kg)	74,5
Origine	JAPON
Emballage	Dessin animé / caisse en bois



# REFRIGERANT COMPRESSOR

JH527YEB

MODEL

VOLT. 380~415 400~460 V	PHASE	3
REFRIGERANT R-22	FREQ.	50/60 Hz
AP 1.3 MPa	SP	3.9 MPa
DP 1.3 MPa	DT	-30°C

DATE 2007 02

SERIAL 79722112

MITSUBISHI ELECTRIC CORPORATION  
JAPAN





Private Picture Copyright : [WWW.MBSM.PRO](http://WWW.MBSM.PRO)

COMPRESSEUR, EMBRACO, Refroidi à l'eau, NT2212GKV2, 1-1/2 HP, R-404A, CSCR (cscr), Hermétique, Lbp, 208-230 V

Category: compressor

written by mahdi miled | 6 January 2021



Private Picture Copyright : [WWW.MBSM.PRO](http://WWW.MBSM.PRO)

## Description

5710 BTU Compressor Réfrigération 1.5 HP (208/230V)

### Caractéristiques:

- Compresseurs de remplacement directs pour les appareils Whirlpool, GE et Electrolux
- Compresseurs de remplacement pour l'équipement de restauration, distributeurs automatiques, refroidisseurs de bouteilles, machines à glace et autres équipements de réfrigération
- Configurations de montage supplémentaires sur plaque de base.

Water-Cooled Condensing Unit 1.5 HP, Low Temp, R404A, 220V

Assembled in USA. Unit Equipped With Embraco Compressor NT2212GKV2

One Year Manufacturer's Warranty On Compressor

## Performance

### Données générales

Type	Hermétique réciprocity
Type de technologie	On-Off (On-Off)
Déplacement	27,8 cm <sup>3</sup>
Refroidissement du compresseur	Fan
Flux d'air de ventilateur	31732495.6 in <sup>3</sup> /h
Dispositif d'expansion	Tube capillaire ou valve d'expansion
Puissance du cheval	1 1/2 ch
Fonctionnement de la pression max condensant	24.71 barre
Max Condensing Pic de pression	27.71 barre

Alimentation

208-230 V 60 Hz 1~

Plage de température d'évaporation

-40°F à 14°F

C  
o  
n  
d  
Nouveau : Article neuf, inutilisé, non ouvert et intact  
dans son emballage d'origine (où l'emballage est ... Lire  
la suite

Modèle: **NT2212GKV**

o  
n  
:  
C  
h  
a  
r  
g  
e  
l  
u  
b  
r  
i  
f  
i  
a  
n  
t  
e  
(  
f  
l  
.  
o  
z  
.  
):

Capacité (Btu/h): 5,710

:  
T  
y  
p  
e  
d  
e  
CSCRM(cscr)

Tension d'approvisionnement: 220 V

o  
t  
e  
u  
r  
:  
C  
o  
u  
p  
l  
e  
d

Phase de puissance: 1 Phase

Couple de départ élevé  
d  
é  
p  
a  
r  
t  
:

P  
o  
i  
d  
S  
40.34  
(  
l  
b  
)  
:  
T  
y  
p  
e  
d  
e  
c  
o  
m  
Hermétique  
p  
r  
e  
s  
s  
e  
u  
r  
:  
D  
i  
m  
(  
W  
x  
L  
8.8" x 14.4", 10.6"  
H  
)  
+  
/  
-  
5  
%  
:  
F  
r  
é  
q  
u  
e  
n  
c  
e  
(  
H  
z  
)  
:  
A  
p  
p  
l  
i  
c  
a  
t  
i  
o  
n  
:  
C  
h  
e  
y  
1 1/2  
a  
u  
x  
:

Capa  
cité Moins de 12 000 BTUH  
:

Réfr  
igér R-404a (R-404a)  
ant:

Npp: **925CD02**

Type  
de test ASHRAE32  
:

Desc  
ript  
ion  
de la Garantie limitée de 1 an  
gara  
ntie  
:

Dépl  
acem  
ent 1.70  
(cu.  
in):

E  
f  
f  
i  
c  
4.86  
a  
c  
i  
t  
é  
:  
N  
o  
m  
b  
r  
e  
d  
e  
c  
o  
m  
p  
r  
e  
s  
s  
e  
u  
r  
s  
:  
T  
e  
n  
s  
208-230 V  
I  
o  
n  
:

Marque: **Embraco (Embraco)**

Type  
Lubrification: IS022 (en)  
Unit:

Upc: **Ne s'applique pas**

Replaces AHA2465ZXB, AWA2460ZXD, RFT42C1E-PFV, AFJ37C1E-CFV, AFJ37C2E-CFV

External Features

Shape	Material	Diameter (inch)
Suction Connector	VerticalCopper	3/8
Discharge Connector	VerticalCopper	1/4
Process Connector	VerticalCopper	1/4

Oil Cooler:  
Base Plate: Universal  
Tray Holder: No  
Application  
Maximum ambient temperature (°F): 109.4  
Expansion device: Capillary/Valve  
Cooling: Fan Cooling  
Air flow rate:  
Mechanical Data  
Bore (inch): 1.50  
Stroke (inch): 0.48  
Electrical Data  
Winding Resistance (77°F) – Start: 3.30  
Winding Resistance (77°F) – Run: 1.35

Check Point – Condensing Temperature 130 °F

Evaporating Temperature	Cooling Capacity +/-5%			Power Consumption +/-5%	Current Consumption +/-5%	Efficiency +/-7%		
	(kcal/h)	(W)	(Btu/h)	(W)	(A)	(kcal/Wh)	(W/W)	(Btu/Wh)
-10 °F	1,448	1,684	5,745	1.176	5.79	1.23	1.43	4.88

**H.P.** 1 1/2

**Phase** 1

**Hertz** 60

**Torque** HST

**Discharge Size (In.)** 1/4

**Suction Size (In.)** 3/8

**Compressor Capacity** 5,710

**Refrigerant Type** R404A

**Voltage** 208/230

**Foot Mount** Standard Mount: 4.8 x 8

**BTU LT @ -10°F** 5,710

## This Item Replaces

**Tecumseh** AWA2460ZXD

**Copeland** RS86C1E-PFV



Private Picture Copyright: [WWW.MBSM.PRO](http://WWW.MBSM.PRO)

## Description

5710 BTU Compressor Réfrigération 1.5 HP (208/230V)

### Caractéristiques:

- Compresseurs de remplacement directs pour les appareils Whirlpool, GE et Electrolux
- Compresseurs de remplacement pour l'équipement de restauration, distributeurs automatiques, refroidisseurs de bouteilles, machines à glace et autres équipements de réfrigération
- Configurations de montage supplémentaires sur plaque de base.

## Spécifications

<b>Type de produit:</b>	Compresseur	<b>Phase:</b>	1
<b>Capacité (BTU):</b>	5710	<b>Hertz:</b>	60
<b>Puissance du cheval:</b> ⓘ	1-1/2	<b>Type réfrigérant:</b>	R-404A (R-404A)
<b>Tension:</b> ⓘ	208v (208v) 230v 208/230v		

Private Picture Copyright : [WWW.MBSM.PRO](http://WWW.MBSM.PRO)

H.P.	1 1/2
Phase	1
Hertz	60
Torque	HST
Discharge Size (In.)	1/4
Suction Size (In.)	3/8
Compressor Capacity	5,710
Refrigerant Type	R404A
Voltage	208/230
Foot Mount	Standard Mount: 4.8 x 8
BTU LT @ -10°F	5,710

## This Item Replaces

Tecumseh	AWA2460ZXD
Copeland	RS86C1E-PFV

Private Picture Copyright : [WWW.MBSM.PRO](http://WWW.MBSM.PRO)

# CUBIGEL, 1/2 Hp, ELECTROLUX, COMPRESSEUR, ZANUSSI, P12TN, HMBP, R22, 220/240V 50Hz

Category: compressor

written by mahdi miled | 6 January 2021



Private Picture Copyright : [WWW.MBSM.PRO](http://WWW.MBSM.PRO)

## Détails techniques

puissance 1/2 Hp – cylindrée 12,00 cm<sup>3</sup>

220/240V 50Hz

CUBIGEL

ZANUSSI

**Zanussi Armoire réfrigérée** ALP221 (110495), ALN221 (110501), AKP221 (111678), AKP221 (111685), DVP110V12V (730236), DVP111V12V (730237), MVP112V12V (730238), EDVN1100 (730239), EDVN1101 (730240), DVP130V12V (730260), DVP131V12V (730261), EEVNI1301 (730262), EEVN1300 (730263), EEVN1301 (730264), DVN130V12V (730265), EDVN1300 (730266), MVP130V12V (730277), MVP131V12V (730278), EMVN1300 (730289), EMVN1300 (730290), MVP110V12V (730297), MVP111V12V (730298), EMVN1100 (730305), EMVN1101 (730306), EDVP1302 (730315), EDVN1302 (730321), CA45ALHG (730331), CA45SSHG (730347), CA45ALCG (730348), CA45SSCG (730349), CA38ALHG (730364), CA38SSHG (730365), CA38ALCG (730366), CA38SSCG (730367), CA45ALMG (730403), CA45SSMG (730405), CA38ALMG (730417), CA38SSMG (730422), DVP13V14V (734021)  
**Zanussi Cellule de refroidissement** BC11 (110010), BCF11 (110016), EEVA10/1 (739021), EEVAC10/1 (739027), ATPE061 (771000), ATCE061 (771006)



Private Picture Copyright : [WWW.MBSM.PRO](http://WWW.MBSM.PRO)

Mbsm\_dot\_pro\_private\_PDF\_danfoss\_P12TN\_R22\_220\_50Télécharger



Private Picture Copyright : [WWW.MBSM.PRO](http://WWW.MBSM.PRO)

Mbsm\_dot\_pro\_private\_PDF\_huayi\_compressor\_P12TN\_R22\_230\_60Télécharger

# Compresseur, Danfoss, SC15G, R134a, 1/2HP, 50/60Hz

Category: compressor

written by www.mbsm.pro | 6 January 2021

## Design

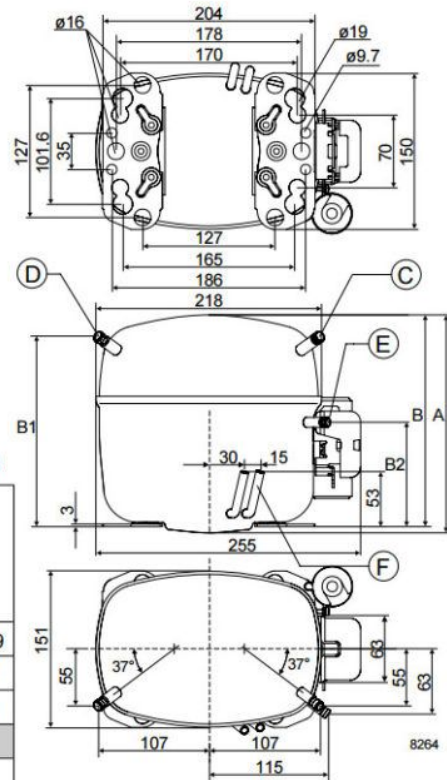
Displacement	cm <sup>3</sup>	15.28
Oil quantity	cm <sup>3</sup>	600 (550 on comp. with oil cooler)
Maximum refrigerant charge	g	1300
Free gas vol. in compressor	cm <sup>3</sup>	1410
Weight without electrical equipment	kg	13.1

## Motor

Motor size	watt	385
LRA (rated after 4 sec. UL984) HST	A	14.8
Cut-in current HST	A	14.8
Resistance, main and start winding (25°C)	Ω	5.0/13.7
Approvals		EN 60335-2-34

## Dimensions

		104G8530	104G8520	104G8525
Height	mm	A	209	
		B	203	
		B1	183	
		B2	100	
Suction connector	location/I.D. mm	C 10.2 ±0.09	10.2 ±0.09	10.2 ±0.09
Process connector	location/I.D. mm	D 6.2 ±0.09	6.2 ±0.09	6.5 ±0.09
Discharge connector	location/I.D. mm	E 6.2 ±0.09	6.2 ±0.09	6.5 ±0.09
Oil cooler	location/I.D. mm	F 6.2 ±0.09		
Compressors on a pallet	pcs.	80		

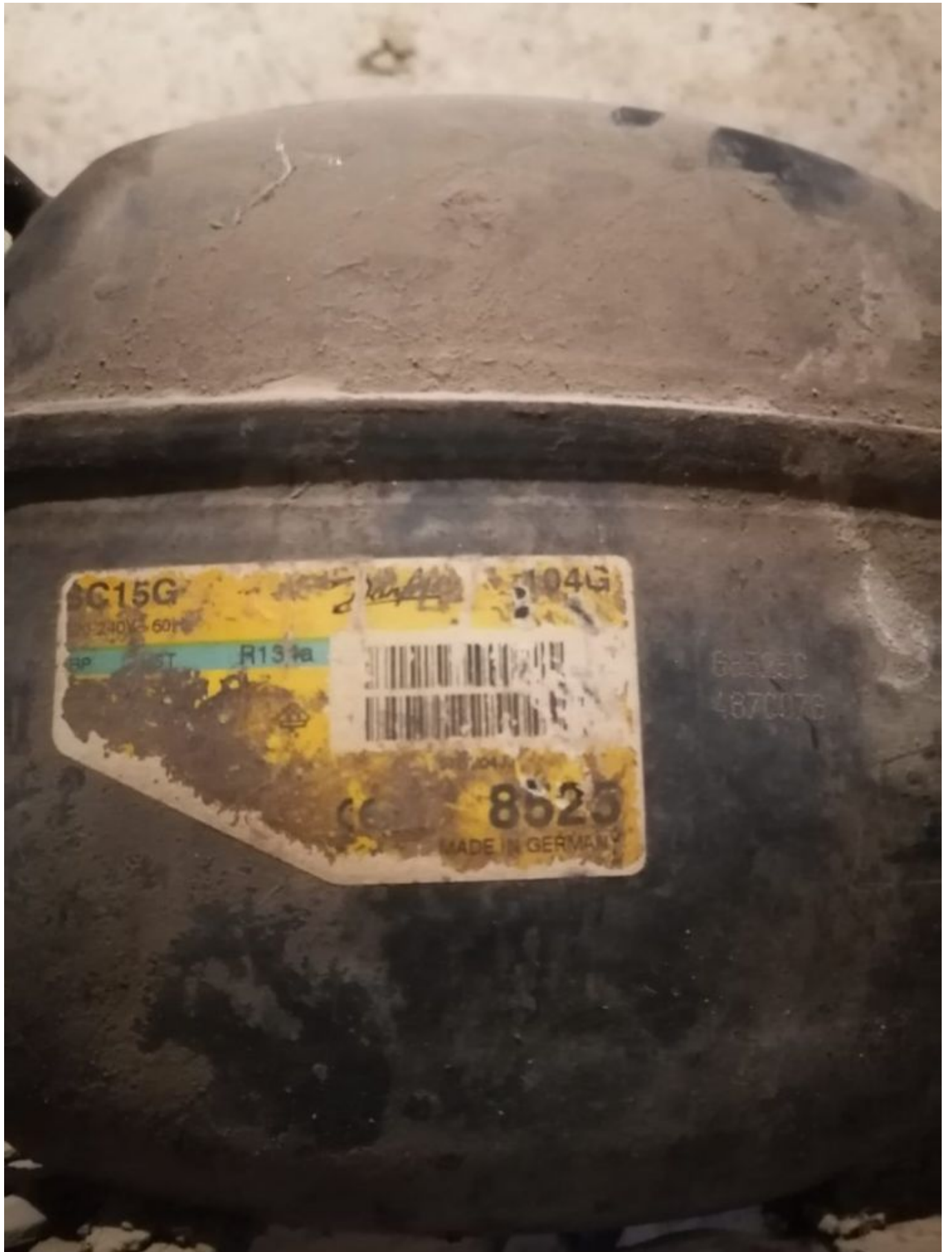


Private Picture Copyright: WWW.MBSM.PRO

## Données techniques

- Modèle: **SC15G**
- Gaz: **R-134a**
- Température/Pression: **Moyenne / Haute**
- Puissance: **1/2 HP**
- Voltage: **230 V**
- Type De Courant: **Monophasé**
- Fréquence: **50/60 Hz**
- Type De Compresseur: **Hermétique**
- Décalage: **15.28 cm<sup>3</sup>**
- Cons.Énergie -25°C: **233 W**
- Cons.Énergie -10°C: **440 W**
- Cons.Énergie -5°C: **497 W**
- Cons.Énergie 0°C: **549 W**
- Cons.Énergie +5°C: **595 W**
- Cons.Énergie +7,2°C: **613 W**
- T° De Condensation: **55 °C**
- Capacité Frigorífica -25°C: **175 Kcal/h**
- Capacité Frigorífica -20°C: **308 Kcal/h**

- Capacidad Frigorífica -15°C: **450 Kcal/h**
- Capacidad Frigorífica -10°C: **604 Kcal/h**
- Capacidad Frigorífica -5°C: **775 Kcal/h**
- Capacidad Frigorífica 0°C: **966 Kcal/h**
- Capacidad Frigorífica 5°C: **1184 Kcal/h**
- Capacidad Frigorífica 7.2°C: **1289 Kcal/h**
- Capacidad Frigorífica 10°C: **1431 Kcal/h**
- Tipo Test: **Ashare 32**



### Design

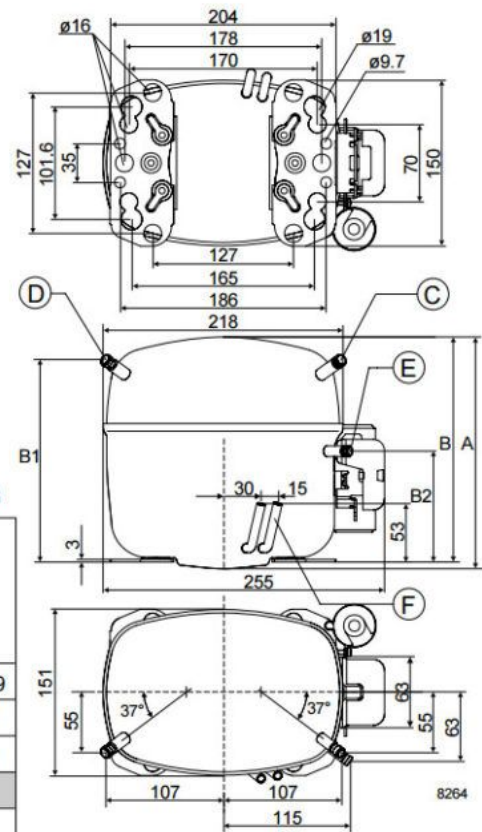
Displacement	cm <sup>3</sup>	15.28
Oil quantity	cm <sup>3</sup>	600 (550 on comp. with oil cooler)
Maximum refrigerant charge	g	1300
Free gas vol. in compressor	cm <sup>3</sup>	1410
Weight without electrical equipment	kg	13.1

### Motor

Motor size	watt	385
LRA (rated after 4 sec. UL984) HST	A	14.8
Cut-in current HST	A	14.8
Resistance, main and start winding (25°C)	Ω	5.0/13.7
Approvals		EN 60335-2-34

### Dimensions

		104G8530	104G8520	104G8525
Height	mm	A	209	
		B	203	
		B1	183	
		B2	100	
Suction connector	location/I.D. mm	C 10.2 ±0.09	10.2 ±0.09	10.2 ±0.09
Process connector	location/I.D. mm	D 6.2 ±0.09	6.2 ±0.09	6.5 ±0.09
Discharge connector	location/I.D. mm	E 6.2 ±0.09	6.2 ±0.09	6.5 ±0.09
Oil cooler	location/I.D. mm	F 6.2 ±0.09		
Compressors on a pallet	pcs.	80		



Private Picture Copyright : WWW.MBSM.PRO

Mbsm\_dot\_pro\_private\_PDF\_sc15gTélécharger

Mbsm\_dot\_pro\_private\_PDF\_sc15g\_104g7560\_r134a\_115v\_60hz\_01-2020\_desd404o322Télécharger

Mbsm\_dot\_pro\_private\_PDF\_sc15g\_104g8526\_r134a\_220v\_60hz\_01-2020\_desd403j302Télécharger

Compresseurs, rotatifs, climatiseurs,  
 KG-INDUSTRIES, SG533F, SG555F-A,  
 SG573F, SG533Q, SG553Q, SG513Q,  
 SG633G, SG633P, SG653P, SG673P,  
 SG733R, FGA550-A, FG313S-A, CG133B,  
 CG333D, CG433E, CG533F, CG533Q,  
 CG633G, CG633P

Category: compressor

written by www.mbsm.pro | 6 January 2021



Private Picture Copyright : [WWW.MBSM.PRO](http://WWW.MBSM.PRO)

## Caractéristiques

Appl.	Refrig.	Séries	Déplacement (ml / tr)	Ellipse	Tension (v)	Fréquence (Hz)	Capacité de refroidissement		Remarque		
							w	BTU / h			
T1	R22	SG	15,1	SG533F	220-240	50	2470	8430	CCEE / T <sup>1</sup> V		
			15,1	SG555F-A	115	60	3090	10537	Sous application		
			15,1	SG573F	208-230	60	3065	10452	Sous application		
			16,2	SG533Q	220-240	50	2650	9037	CCEE / T <sup>1</sup> V		
			16,2	SG553Q	110-120	60	3220	10980	UL		
			16,2	SG513Q	100	50	2813	9592			
						60	3402	11601			
			16,7	SG633G	220-240	50	2760	9412	CCEE / T <sup>1</sup> V		
			17,3	SG633P	220-240	50	2850	9719	CCEE / T <sup>1</sup> V		
			17,3	SG653P	110-120	60	3500	11935	UL		
			17,3	SG673P	208-230	60	3495	11918	UL		
			18,4	SG733R	220-240	50	2990	10196	CCEE / T <sup>1</sup> V		
			R407C	CG	8,0	FGA550-A	115	60	1605	5473	Sous application
					13,3	FG313S-A	100	50	2330	7945	En développement
						60	2826	9637			
	10,4	CG133B			220-240	50	1710	5831	CCEE / T <sup>1</sup> V		
	12,5	CG333D			220-240	50	(2060)	(7025)	En développement		
	14,1	CG433E			220-240	50	(2320)	(7911)	En développement		
	15,1	CG533F	220-240	50	(2470)	(8423)	En développement				
	16,2	CG533Q	220-240	50	2650	9037	CCEE / T <sup>1</sup> V				
16,7	CG633G	220-240	50	(2760)	(9412)	En développement					
17,3	CG633P	220-240	50	(2850)	(9719)	En développement					

## Dimensions des compresseurs

Séries	Ellipse	A (millimètre)	B (millimètre)	C (millimètre)	D (millimètre)	E (mm) (ID)	F (mm) (ID)	G (millimètre)	Dessin n °
SG	SG533F SG573F SG5330 SG5130 SG5530	242,0	193,0	65,0	99,0	8,2	9,8	54,5	N ° 1
	SG633F SG633P SG653P SG673P SG733R SG555F-A	256,0	193,0	65,0	99,0	8,2	9,8	55,5	N ° 1
	FGA550-A FG313S-A	221,8	193,0	65,0	99,0	8,2	9,8	45,7	N ° 1
CG	CG133B, CG5330	242,0	193,0	65,0	99,0	8,2	9,8	54,5	N ° 1
	SH733H SH733Q SH833JSH833K	256,4	252,0	70,0	114,0	9,7	12,9	60,3	N ° 2
SH	SH833K-G SH833U	276,4	262,5	80,0	120,5	9,7	12,9	60,3	N ° 2
	SH773H SH773Q SHZ33L SHZ73L	278,4	252,5	70,0	114,0	9,7	12,9	60,3	N ° 2
	SH933R SH973R SH933R-S	278,4	262,5	80,0	120,5	9,7	12,9	60,3	N ° 2
	SHZ83L-E SHY33M-G SHYH-D SHY33M-E SHY73M SHX33S SHW33T SHW73T	293,4	220,5	70,0	114,0	9,7	12,9	60,3	N ° 2
	SHV33Y-G SHV33Y CH933R-S CHY33M-S CHW33T	338,9	299,0	89,1	125,0	9,7	16,2	80,4	N ° 2
CH	THU33W	307,8	262,5	80,0	120,5	9,7	12,9	60,3	N ° 2
TH		372,7	342,8	89,1	125,0	9,7	16,2	70,0	N ° 3

Dimensions des compresseurs contrôlés par onduleur									
Séries	Ellipse	A (millimètre)	B (millimètre)	C (millimètre)	D (millimètre)	E (mm) (ID)	F (mm) (ID)	G (millimètre)	Dessin n °
SG	SGZ280-Y SGZ28E-Y	256,0	228,0	70,0	102,5	8,2	12,9	68,0	N ° 1
	SG9280-N SGZ280-N SGZ28E-N	256,0	228,0	70,0	102,5	8,2	12,9	68,0	N ° 1
FG	FGZ28C-Y	242,0	193,0	65,0	99,0	8,2	9,8	54,5	N ° 1
SH	SHU28K-Y	293,4	268,0	89,1	125,0	9,7	16,2	60,3	N ° 2
TH	THS28M-Y	307,8	325,3	89,1	125,0	9,7	16,2	52,4	N ° 3



Private Picture Copyright : [WWW.MBSM.PRO](http://WWW.MBSM.PRO)

Compresseur, QD210, réfrigération, 2/3 HP, 3.2 Lra, R406A, (R12), 21CC , 435W, pour réfrigérateur, CSIR, QD30, QD36, QD43, QD52, QD55, QD59, QD65,

# QD75, QD85, QD91, QD110, QD128, QD142, QD168, QD180, QD210

Category: compressor

written by [www.mbsm.pro](http://www.mbsm.pro) | 6 January 2021



Private Picture Copyright : [WWW.MBSM.PRO](http://WWW.MBSM.PRO)



Private Picture Copyright : [WWW.MBSM.PRO](http://WWW.MBSM.PRO)

#### Conditions de test

Evap. Temp.: -23,3 ° C

Cond. Temp.: 54,4 ° C

Amb. Temp.: 32,2 ° C

Aspiration. Temp .: 32,2 ° C

Temp. De sous-refroidissement: 32,2 ° C

LBP ASHRAE

Modèle: QD210

Alimentation: 220-240V / 50Hz

Cylindrée (cm<sup>3</sup>): 21,0

Capacité de refroidissement (W): 510

Puissance nominale (W): 435

Puissance nominale (HP ): 2/3

COP (W / W): 1,17

Courant nominal (A): 3,1

Type de moteur: CSIR

Condensateur ( $\frac{1}{4}$  F): 80 (démarrage)

Relais de démarrage: QD210

Type de refroidissement: F

Emballage (PCS / palette): 60

1- 20'FCL (PCS): 1200

#### Caractéristiques

1. Haute efficacité et fiabilité

## 2. Faible vibration

### Application

LBP, armoire, congélateur, vitrine, distributeur automatique, machine à glace et machines de réfrigération moyennes et grandes.

### Description rapide

#### Type:

Compresseur

#### Point d'origine:

Shanghai, China

#### Marque nom:

Wansheng

#### Certification:

CE

#### Service après-vente fourni:

Support en ligne

#### Garantie:

1 AN

#### After-sales Service Provided:

Engineers available to service machinery overseas

#### color:

black

## Emballage et livraison

#### Unités de vente :

Article unique

#### Taille du paquet individuel :

80X70X75 cm

#### Poids brut par article :

50.000 kg

#### Type d'emballage :

Carton

#### Délai : :

Quantité(Morceaux) 1 – 80 81 – 500 >500

Durée estimée (jours) 7      11      À négocier

QD compresseur

Réfrigérants	Modèle	T-23.3 °C	Capacité	Réfrigération	LePuissance d'entrée	Débit d'injection
	MODÈLE					
R12/406	QD30	78	82		230	
	QD36	88	86		230	
	QD43	118	112		230	
	QD52	138	128		230	
	QD55	132	125		250	
	QD59	146	137		250	
	QD65	158	145		250	
	QD75	176	162		250	
	QD85	202	184		250	
	QD91	222	192		250	
	QD110	271	232		310	
	QD128	306	290		310	
	QD142	333	280		310	
	QD168	380	330		550	
	QD180	440	380		550	
QD210	510	435		550		

### Compresseurs frigorifiques des séries E, P

Ces compresseurs entièrement fermés sont caractéristiques d'une faible vibration, d'un faible bruit, d'une longue durée de vie et d'un rendement élevé, qui adoptent la structure du piston de bielle. Ils conviennent aux appareils de réfrigération tels que les réfrigérateurs, les glaciers, les cryostats, les vitrines et les séparateurs d'humidité, etc.

Modèle	QD45P	QD55E	QD55P	QD65E	QD75E
Déplacer (cm <sup>3</sup> )	4,5	5.5	5.5	6,5	7,5
Capacité (W)	102	125	139	150	170
Entrée moteur (W)	107	125	135	145	162
COP (w / w)	0,95	1.0	1,03	1,03	1,05
Courant (A)	0,82	1.0	1,05	1.10	1,20
Réfrigérant	R12				
Source de courant	220V (165 i <sup>a</sup> 242) V 50Hz				
Charge d'huile (cm <sup>3</sup> )	230				
Type de moteur	RSIR				
Refroidissement du compresseur	Statique				
Poids à sec (Kg)	7,8	7,8	8	8.3	8,5

### Compresseurs frigorifiques série S

Ces compresseurs entièrement fermés sont caractéristiques d'une faible vibration, d'un faible bruit, d'une longue durée de vie et d'un rendement élevé, qui adoptent la structure du piston de bielle.

Modèle	QD23	QD30	QD36	QD43	QD52
Déplacer (cm <sup>3</sup> )	2,3	3.0	3,6	4.3	5.2
Capacité (W)	50	70	78	102	122
Entrée moteur (W)	69	87	86	112	128
COP (w / w)	0,72	0,80	0,90	0,91	0,95
Courant (A)	0,62	0,65	0,68	0,88	0,98
Réfrigérant	R12				
Source de courant	220V (165 i <sup>a</sup> 242) V				50Hz
Charge d'huile (cm <sup>3</sup> )	215				
Type de moteur	RSIR				
Refroidissement du compresseur	Statique				
Poids à sec (Kg)	6,35	6,65	6,85	7,5	7,5

### **Chlore libre iY Série Frigorifique Compresseurs iY semi-haute efficacité**

Ces compresseurs entièrement fermés sont caractéristiques d'une faible vibration, d'un faible bruit, d'une longue durée de vie et d'un rendement élevé, qui adoptent la structure du piston de bielle. Ils conviennent aux appareils de réfrigération tels que les réfrigérateurs, les glacières, les cryostats, les vitrines et les séparateurs d'humidité, etc.

Modèle	QD85Y	QD91Y	QD103Y
Déplacer (cm <sup>3</sup> )	8,5	9.1	10,3
Capacité (W)	140	155	175
Entrée moteur (W)	105	110	123
COP (w / w)	1,33	1,4	1,42
Réfrigérant	R600a		
Source de courant	220V (165 i <sup>a</sup> 242) V		50Hz
Charge d'huile (cm <sup>3</sup> )	255		
Type de moteur	RSIR		
Refroidissement du compresseur	Statique		

### **Compresseurs frigorifiques série G**

Ces compresseurs entièrement fermés sont caractéristiques d'une faible vibration, d'un faible bruit, d'une longue durée de vie et d'un rendement élevé, qui adoptent la structure du piston de bielle. Ils conviennent aux appareils de réfrigération tels que les réfrigérateurs, les glacières, les cryostats, les vitrines et les séparateurs d'humidité, etc.

Modèle	QD91G	QD110G	QD128G
Déplacer (cm <sup>3</sup> )	9.1	11,0	12,8
Capacité (W)	240	290	350

Entrée moteur (W)	192	232	280
COP (w / w)	1,25	1,25	1,25
Courant (A)	1,40	1,60	2.0
Réfrigérant	R12		
Source de courant	220V (165 i <sup>a</sup> 242) V 50Hz		
Charge d'huile (cm <sup>3</sup> )	255	310	
Type de moteur	RSIR		
Refroidissement du compresseur	Refroidissement par ventilateur		
Poids à sec (Kg)	10,6	11	11.2

### Compresseurs frigorifiques de la série Q

Ces compresseurs entièrement fermés sont caractéristiques d'une faible vibration, d'un faible bruit, d'une longue durée de vie et d'un rendement élevé, qui adoptent la structure du piston de bielle. Ils conviennent aux appareils de réfrigération tels que les réfrigérateurs, les glacières, les cryostats, les vitrines et les séparateurs d'humidité, etc.

Modèle	QD91	QD110	QD128	QD128A
Déplacer (cm <sup>3</sup> )	9.1	11,0	12,8	12,8
Capacité (W)	210	260	292	325
Entrée moteur (W)	192	232	260	280
COP (w / w)	1,09	1.12	1.12	1,16
Courant (A)	1,40	1,60	2.0	2.0
Réfrigérant	R12			
Source de courant	220V (165 i <sup>a</sup> 242) V 50Hz			
Charge d'huile (cm <sup>3</sup> )	255	310		
Type de moteur	RSIR			
Refroidissement du compresseur	Refroidissement par ventilateur			
Poids à sec (Kg)	10,6	11	11.2	11.2

### Compresseurs frigorifiques série SC

Ils conviennent aux appareils de réfrigération tels que les réfrigérateurs, les glacières, les cryostats, les vitrines et les séparateurs d'humidité, etc.

Modèle	Refrig.	Déplacer	Capacité	Entrée moteur	Actuel	FLIC	Charge d'huile	Type de moteur	alimentation électrique	Refroidissement du compresseur	Capacitance	Poids à sec (kg)
QD168	R12	16,8 cm <sup>3</sup>	380 W	330 W	2,3 A	1,15	550 cm <sup>3</sup>	CSIR	220V50Hz		80   Ì F iÀ 10%	13 kg
QD180	R12	17,8 cm <sup>3</sup>	429 W	380w	2,8 A	1.13	550 cm <sup>3</sup>	CSIR	220V50Hz		80   Ì F iÀ 10%	13,5 kg
QD210	R12	21cm <sup>3</sup>	495 W	430w	3.2A	1,15	550 cm <sup>3</sup>	CSIR	220V50Hz	Fam refroidissement	Fonctionnement £ ° 10   Ì F Démarrage £ ° 80   Ì F iÀ 10%	13,5 kg



Private Picture Copyright : [WWW.MBSM.PRO](http://WWW.MBSM.PRO)

Mbsm\_dot\_pro\_private\_PDF\_QD210Télécharger