

# Mbsm.pro, Daewoo Compressor, YX58LHP5, R134a, 200 w, 1/4 hp, 683 BTU, Lbp, 95 G, Congélateur, CONDOR NOFROST, 375L

Category: compressor

written by [www.mbsm.pro](http://www.mbsm.pro) | 1 September 2022



Private Picture Copyright : [WWW.MBSM.PRO](http://WWW.MBSM.PRO)

	JX58LHK4	5.84	161	170	198	675	1.06	1.23	4.19	CSIR	ST/FC	8.2	230
	JX58LHP4	5.84	139	170	198	675	1.22	1.42	4.85	RSCR	ST/FC	8.2	230
	JX58LHP4-K	5.85	155	170	198	675	1.10	1.28	4.35	RSCR	ST/FC	8.2	230
	JX58LHS4	5.84	150	170	198	675	1.13	1.32	4.50	RSIR	ST/FC	8.2	230
YH	HPL15YH-4	5.12	122	135	157	536	1.11	1.29	4.39	RSCR	ST/OC/FC	8.9	290
	HPL17YH-4	5.55	131	148	172	587	1.13	1.31	4.48	RSCR	ST/OC/FC	8.9	290
	HPL19YH-4	5.84	137	170	198	675	1.24	1.44	4.92	RSCR	ST/OC/FC	9.5	290
	HDL21YH-4	6.72	156	189	220	750	1.21	1.41	4.81	CSIR	ST/OC/FC	9.5	290
	HPL21YH-4	6.73	155	188	219	746	1.21	1.41	4.81	RSCR	ST/OC/FC	9.5	290
	HPL23YH-4	7.03	165	201	234	798	1.22	1.42	4.83	RSCR	ST/OC/FC	9.5	290
	HPL26YH-4	8.25	205	235	273	938	1.15	1.33	4.55	RSCR	ST/OC/FC	9.5	290
YX	YX46LHP4	4.62	104	125	145	496	1.20	1.40	4.77	RSCR	ST/OC/FC	8.8	290
	YX51LHP4	5.12	120	150	174	595	1.25	1.45	4.96	RSCR	ST/OC/FC	8.8	290
	YX51LHP4-K	5.12	128	144	168	572	1.12	1.31	4.46	RSCR	ST/OC/FC	8.8	290
	<b>YX58LHP4</b>	5.84	133	172	200	683	1.29	1.50	5.13	RSCR	ST/OC/FC	9.8	290
YG	HPL21YG-4	6.73	175	185	215	734	1.06	1.23	4.20	RSCR	ST/OC/FC	9.0	290
	HPL27YG-4A	8.69	232	250	291	992	1.08	1.25	4.28	RSCR	ST/OC/FC	9.5	290
	HPL30YG-4	9.92	247	283	329	1123	1.15	1.33	4.55	RSCR	ST/OC/FC	9.5	290

Private Picture Copyright : [WWW.MBSM.PRO](http://WWW.MBSM.PRO)



Private Picture Copyright : [WWW.MBSM.PRO](http://WWW.MBSM.PRO)





Réfrigérateur Congélateur

Modèle F-430NC Classe T

Volume brut 375L

Volume utile compt denrées fraîche 242L

Volume utile compt basse température 90L

Voltage / Fréquence 220-240V - 50Hz

Puissance 0.8A

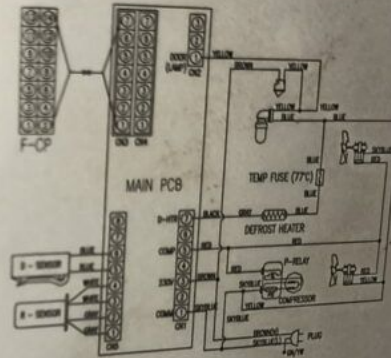
Puissance de dégivrage 180W

Puissance de lampe 25W\*1

Réfrigérant R134a 95grs

N° de série

## WIRING DIAGRAM



**Note:** 1. laissez au moins 5cm d'espace libre à l'arrière de l'appareil pour une bonne ventilation.  
2. Après avoir débranché l'appareil, attendre 5 minutes avant de le rebrancher.

W341-S



Private Picture Copyright : WWW.MBSM.PRO

Mbsm\_dot\_pro\_private\_PDF\_YX58LHP5-R134aTélécharger

Mbsm.pro, Hermetic compressor,  
Aspera, Embraco, NEK6212Z, R134a, 1/2  
hp , HBP

Category: compressor

written by www.mbsm.pro | 1 September 2022



Private Picture Copyright : [WWW.MBSM.PRO](http://WWW.MBSM.PRO)

Mbsm.pro, Hermetic compressor, Aspera, Embraco, NEK6212Z, R134a, 1/2 hp , HBP

---

Mbsm.pro, R600a, Aruki Compressors,  
Compressor, QD65Y(N) (1/9HP) ,  
QD75Y(J) (1/8+HP), QD85Y(J) (1/7+HP),  
QD91Y(J) (1/6HP), QD103Y(J) (1/6+HP)

Category: compressor

written by [www.mbsm.pro](http://www.mbsm.pro) | 1 September 2022

WANSHENG®  
QD103Y  
220-240V~50Hz 1PH  
CB  
DE  
CCC  
CE  
C  
S  
M  
R600a  
Warning: Risk of fire  
NO. 15592401  
Hangzhou Qianjiang Refrigeration Group Co.,Ltd

Mbsm.pro, R600a, Aruki Compressors, Compressor, QD65Y(N) (1/9HP) , QD75Y(J) (1/8+HP), QD85Y(J) (1/7+HP), QD91Y(J) (1/6HP), QD103Y(J) (1/6+HP)

---

**Mbsm.pro, compressor, MT160HW4D , 13  
hp, MT160, Displacement:  
271.55cm<sup>3</sup>/rev**

Category: pro

written by [www.mbsm.pro](http://www.mbsm.pro) | 1 September 2022



Private Picture Copyright : [WWW.MBSM.PRO](http://WWW.MBSM.PRO)

Mbsm.pro, Danfoss, Compressor, MT100HS4D, 8.3HP, R22, 380V, 3PH





Private Picture Copyright : [WWW.MBSM.PRO](http://WWW.MBSM.PRO)

Mbsm.pro, Compressor, T3, 3.3 hp,  
30000 btu, nht52vbat, 14 A,  
Mitsubishi Compressor, r22, 4.5 bar

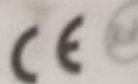
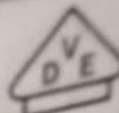
Category: compressor,Invention

written by [www.mbsm.pro](http://www.mbsm.pro) | 1 September 2022



SIAM COMPRESSOR INDUSTRY

MITSUBISHI ELECTRIC GROUP



REFRIGERANT COMPRESSOR

MODEL **NHT52VBAT**

MANUFACTURING DATE **18052012**

POWER SOURCE

**220-240V 1~ 50Hz**

POWER INPUT **2970 W** AT **50** Hz

LRA **86/94** A

REFRIGERANT **R-22**

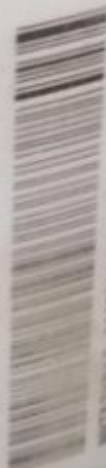
OIL **1.30 L**

AP **2.74** MPa

SP **10.5** MPa

**THERMALLY PROTECTED**

MADE IN THAILAND



NHT52VBAT-011205-1-0000

Mbsm.pro, Compressor, T3, 3.3 hp, 30000 btu, nht52vbat, 14 A, Mitsubishi  
Compressor

---

**Mbsm.pro, Embraco, Aspera, NEK2150CK,  
1/2 hp, freezing (LBP), 121 cm<sup>3</sup>,  
R404A /RS07A / R452A**

Category: compressor

written by [www.mbsm.pro](http://www.mbsm.pro) | 1 September 2022



Private Picture Copyright : [WWW.MBSM.PRO](http://WWW.MBSM.PRO)

Mbsm.pro, Embraco, Aspera, NEK2150CK, 1/2 hp, freezing (LBP), 121 cm<sup>3</sup>, R404A

# Mbsm.pro, Raccord femelle 15 a souder cuivre 14, plomberie

Category: Pictures

written by [www.mbsm.pro](http://www.mbsm.pro) | 1 September 2022



Private Picture Copyright : [WWW.MBSM.PRO](http://WWW.MBSM.PRO)

Mbsm.pro, Raccord femelle a souder cuivre 14





# Mbsm.pro, Compressor, Mly12LA, 1/3 hp-, Lbp , 404a, Low Back Pressure R404a/R507 compressors Cubigel – Spain

Category: pro

written by [www.mbsm.pro](http://www.mbsm.pro) | 1 September 2022



Private Picture Copyright : [WWW.MBSM.PRO](http://WWW.MBSM.PRO)

Mbsm.pro, Compressor, Mly12LA, 1/3 hp-, Lbp , 404a

---

# Mbsm.pro, Compresor, ZMC, 1/5 hp++, 1/4 hp-, High-Medium Back Pressure, GL80TB, GL80AA, cooling and freezing

Category: compressor

written by [www.mbsm.pro](http://www.mbsm.pro) | 1 September 2022



Private Picture Copyright : [WWW.MBSM.PRO](http://WWW.MBSM.PRO)

Mbsm.pro, Compresor, ZMC, 1/5 hp++, 1/4 hp-, High-Medium Back Pressure, GL80TB, GL80AA, cooling and freezing

---

Mbsm.pro, Compressor, MK190G-L2u, MK190G, Refrigerator, USA, RS22hknrs, 527 L, r134a, 190g, 230w, Samsung, MK190GL2U/E08, 1/3hp, 200-240V-50Hz, RSCR

Category: compressor,Refrigerator  
written by www.mbsm.pro | 1 September 2022



Private Picture Copyright : WWW.MBSM.PRO

Mbsm.pro, Compressor, MK190G-L2u, MK190G, Refrigerator, USA, RS22hknrs, 527 L, r134a, 190g, 230w, Samsung, MK190GL2U/E08, 1/3hp, 200-240V-50Hz, RSCR