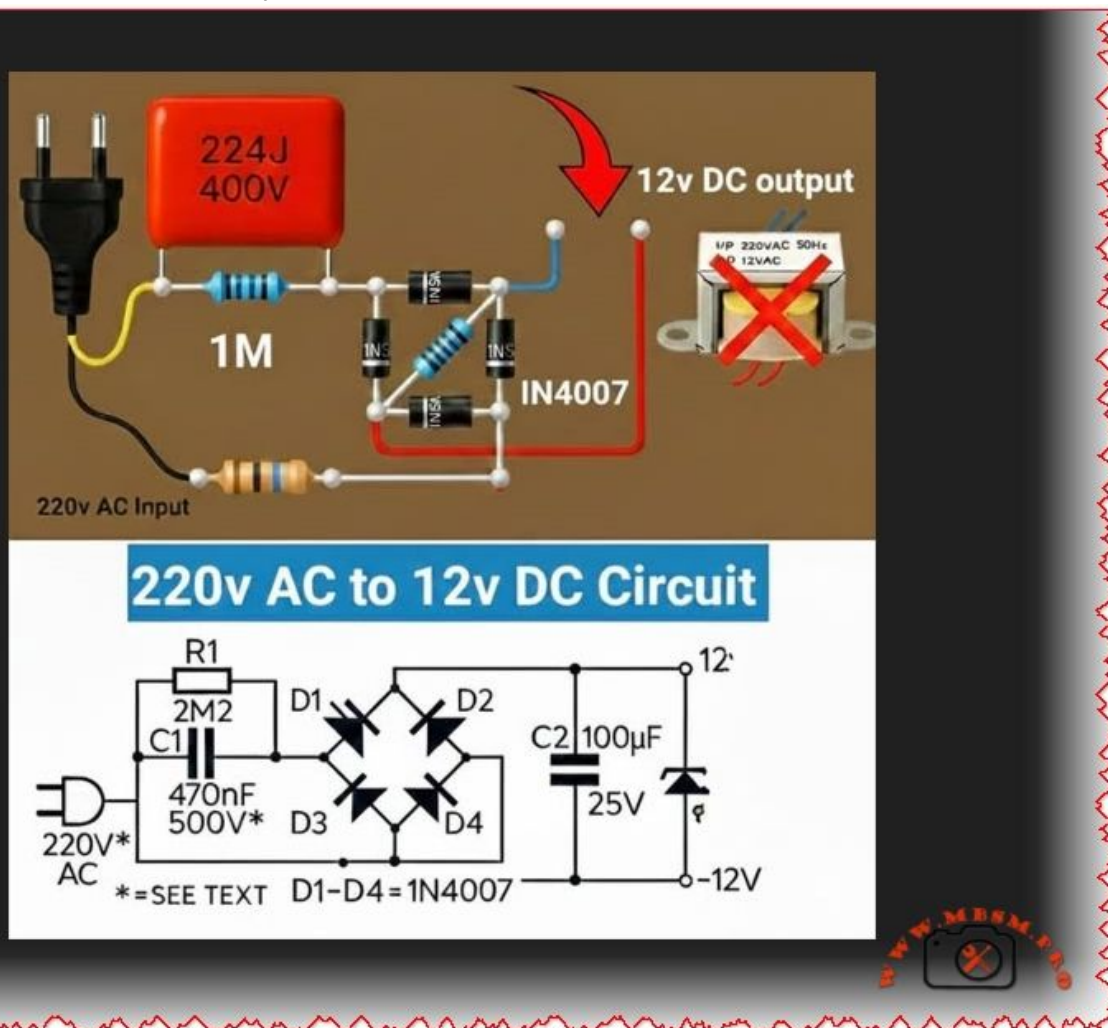


220V AC to 12V DC Bridge Rectifier Circuit

Category: Electronic

written by www.mbsm.pro | 2 January 2026



Private Picture Copyright : WWW.MBSM.PRO

The bridge rectifier circuit represents the most efficient topology for converting 220V AC mains voltage to stable 12V DC output using four 1N4007 diodes in diamond configuration. This comprehensive guide explores circuit design, capacitor filter selection, voltage calculations, diode specifications, troubleshooting methods, and safety considerations for reliable power supply implementation across industrial and consumer applications worldwide