

Samsung SR-40RMB Refrigerator compressor sk170h-l1u 1/4 hp

Category: compressor,Refrigerator

written by www.mbsm.pro | 11 September 2022



Private Picture Copyright : WWW.MBSM.PRO

Mbsm.pro, Samsung, SR-40RMB, Refrigerator, compressor, sk170h-l1u, 1/4 hp, r134,
lbp, 195 w

Compressor DANFOSS NL8.4CLX 105F3800 0.25 hp

Category: compressor

written by www.mbsm.pro | 11 September 2022



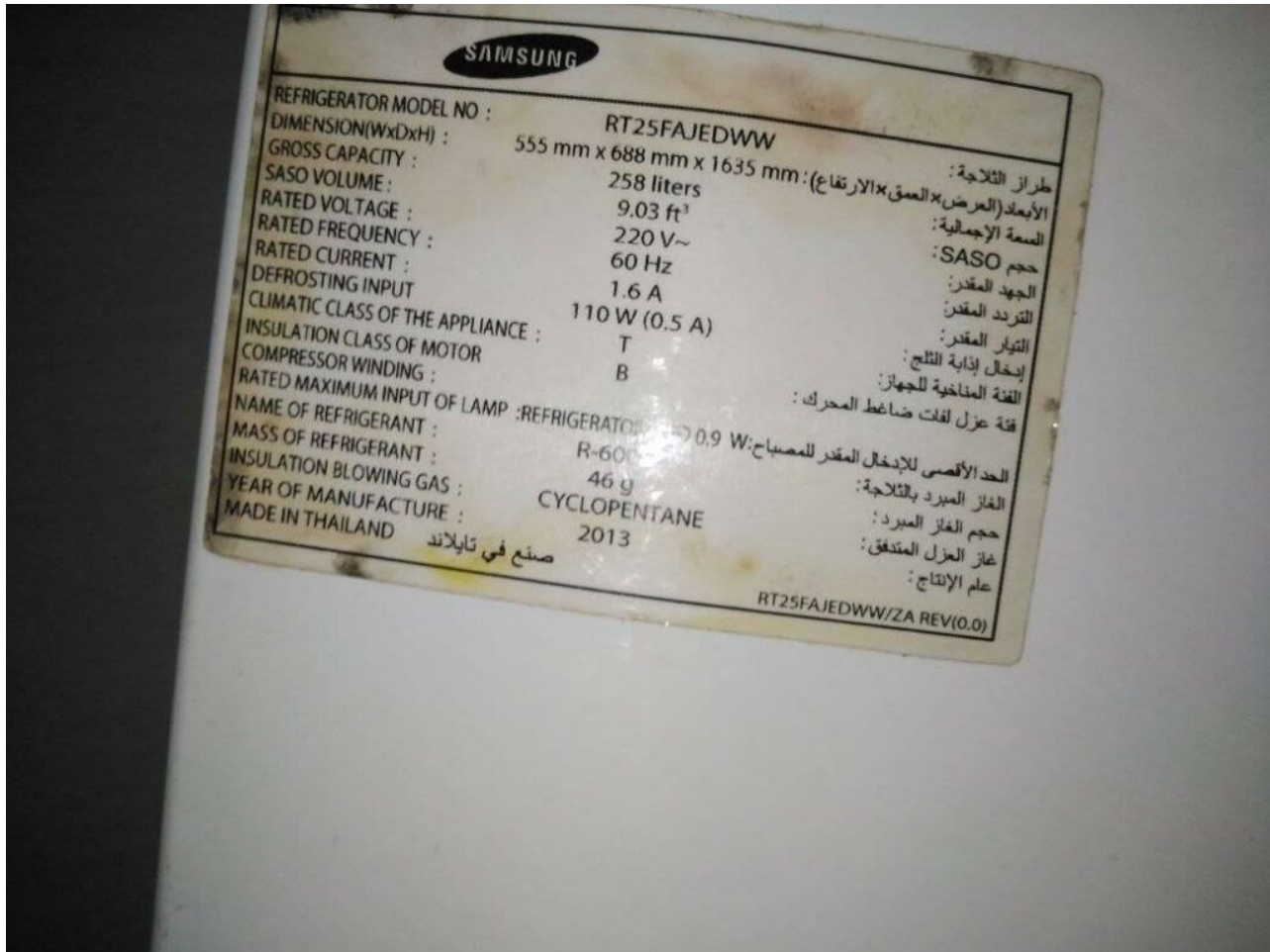
Private Picture Copyright : WWW.MBSM.PRO

Mbsm.pro, compressor, DANFOSS, 1/4 hp, R404a/R507, NL8.4CLX, LBP, 105F3800

Mbsm.pro, Refrigerator, RT25fajedww,
250 L, no frost, inverter,
Compressor, BDC, 1/6 hp, lbp, R600a,
46g, 220v

Category: Refrigerator

written by www.mbsm.pro | 11 September 2022



Private Picture Copyright : WWW.MBSM.PRO

Mbsm.pro, Refrigerator, RT25fajedww, 250 L, no frost, inverter, Compressor, BDC, 1/6 hp, lbp, R600a, 46g, 220v

**Mbsm.pro, Compressor, FF8.5AT,
103U2860, 1/5 hp, lbp, r12, 150 w**

Category: compressor

written by www.mbsm.pro | 11 September 2022



Private Picture Copyright : WWW.MBSM.PRO

Mbsm.pro, Compressor, FF8.5AT, 103U2860, 1/5 hp, lbp, r12, 150 w

Mbsm.pro, Compressor, SAMSUNG,
SK182H-L2U, 1/4 hp++, 1/3 hp -, 236
w, 806 BTu, Rscr, lbp, r134 a

Category: compressor

written by www.mbsm.pro | 11 September 2022



Private Picture Copyright : WWW.MBSM.PRO

Mbsm.pro, Compressor, SAMSUNG, SK182H-L2U, 1/4 hp++, 1/3 hp -, 236 w, 806 BTu, Rscr, lbp, r134 a

Mbsm.pro, Daewoo Compressor,
YX58LHP5, R134a, 200 w, 1/4 hp, 683
BTU, Lbp, 95 G, Congélateur, CONDOR
NOFROST, 375L

Category: compressor

written by www.mbsm.pro | 11 September 2022



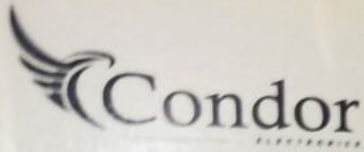
Private Picture Copyright : WWW.MBSM.PRO

	JX58LHK4	5.84	161	170	198	675	1.06	1.23	4.19	CSIR	ST/FC	8.2	230
	JX58LHP4	5.84	139	170	198	675	1.22	1.42	4.85	RSCR	ST/FC	8.2	230
	JX58LHP4-K	5.85	155	170	198	675	1.10	1.28	4.35	RSCR	ST/FC	8.2	230
	JX58LHS4	5.84	150	170	198	675	1.13	1.32	4.50	RSIR	ST/FC	8.2	230
YH	HPL15YH-4	5.12	122	135	157	536	1.11	1.29	4.39	RSCR	ST/OC/FC	8.9	290
	HPL17YH-4	5.55	131	148	172	587	1.13	1.31	4.48	RSCR	ST/OC/FC	8.9	290
	HPL19YH-4	5.84	137	170	198	675	1.24	1.44	4.92	RSCR	ST/OC/FC	9.5	290
	HDL21YH-4	6.72	156	189	220	750	1.21	1.41	4.81	CSIR	ST/OC/FC	9.5	290
	HPL21YH-4	6.73	155	188	219	746	1.21	1.41	4.81	RSCR	ST/OC/FC	9.5	290
	HPL23YH-4	7.03	165	201	234	798	1.22	1.42	4.83	RSCR	ST/OC/FC	9.5	290
	HPL26YH-4	8.25	205	235	273	933	1.15	1.33	4.55	RSCR	ST/OC/FC	9.5	290
YX	YX46LHP4	4.62	104	125	145	496	1.20	1.40	4.77	RSCR	ST/OC/FC	8.8	290
	YX51LHP4	5.12	120	150	174	595	1.25	1.45	4.96	RSCR	ST/OC/FC	8.8	290
	YX51LHP4-K	5.12	128	144	168	572	1.12	1.31	4.46	RSCR	ST/OC/FC	8.8	290
	YX58LHP4	5.84	133	172	200	683	1.29	1.50	5.13	RSCR	ST/OC/FC	9.8	290
YG	HPL21YG-4	6.73	175	185	215	734	1.06	1.23	4.20	RSCR	ST/OC/FC	9.0	290
	HPL27YG-4A	8.69	232	250	291	992	1.08	1.25	4.28	RSCR	ST/OC/FC	9.5	290
	HPL30YG-4	9.92	247	283	329	1123	1.15	1.33	4.55	RSCR	ST/OC/FC	9.5	290

Private Picture Copyright : WWW.MBSM.PRO







Réfrigérateur-Congélateur

Modèle: H-430NC Classe T

Volume brut 375L

Volume utile compt denrées fraîche 242L

Volume utile compt basse température 90L

Voltage / Fréquence 220-240V - 50Hz

Puissance 0.8A

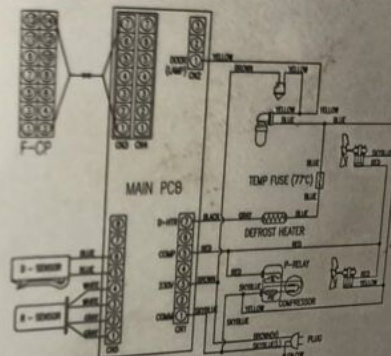
Puissance de dégivrage 180W

Puissance de lampe 25W*1

Réfrigérant R134a 95grs

N° de série

WIRING DIAGRAM



Note: 1. laissez au moins 5cm d'espace libre à l'arrière de l'appareil pour une bonne ventilation.
2. Après avoir débranché l'appareil, attendre 5 minutes avant de le rebrancher.

W341-S



Private Picture Copyright : WWW.MBSM.PRO

Mbsm_dot_pro_private_PDF_YX58LHP5-R134aTélécharger

Mbsm.pro, Compressor, Mly12LA, 1/3 hp-, Lbp , 404a, Low Back Pressure R404a/R507 compressors Cubigel – Spain

Category: pro

written by www.mbsm.pro | 11 September 2022



Private Picture Copyright : WWW.MBSM.PRO

Mbsm.pro, Compressor, Mly12LA, 1/3 hp-, Lbp , 404a

Mbsm.pro, compressor, nly12ng, 1/2
hp-, 3/8 hp++, r290, 12,55cm³, LBP,
230V, Secop, Danfoss, CUBIGEL

Category: compressor

written by www.mbsm.pro | 11 September 2022



Private Picture Copyright : WWW.MBSM.PRO

Mbsm.pro, compressor, nly12ng, 1/2 hp-, 3/8 hp++, r290, 12,55cm³, LBP, 230V, Secop, Danfoss

Mbsm.pro, Compressor, EMBRACO, EG130HLRW, r134a, 1/3 hp, LBP, RSIR-CSIR

Category: compressor

written by www.mbsm.pro | 11 September 2022



Private Picture Copyright : WWW.MBSM.PRO

Mbsm.pro, Compressor, EMBRACO, EG130HLRW, r134a, 1/3 hp, LBP, RSIR-CSIR

Mbsm.pro, Compressor, D91c21rax5, 1/4
hp, Lbp, 230 w, R134a, 135 G,
refrigerator, Goldi, Nt1800, no
frost, 2 doors, 509 L, replaced by
G199aa

Category: compressor

written by www.mbsm.pro | 11 September 2022



Mbsm.pro, Compressor, D91c21rax5, 1/4 hp, Lbp, 230 w, R134a, 135 G,
refrigerator, Goldi, Nt1800, no frost, 2 doors, 509 L, remplaced by G199aa