

Mbsm.pro, Danfoss, Compressor, MT100HS4D, 8.3HP, R22, 380V, 3PH

Category: compressor

written by www.mbsm.pro | 13 January 2022



Private Picture Copyright : WWW.MBSM.PRO

Mbsm.pro, Danfoss, Compressor, MT100HS4D, 8.3HP, R22, 380V, 3PH

Mbsm.pro, Compressor Necchi, Esm5, 1/5 Hp, R12, Replaced by , COMPRESSOR, DANFOSS, TL 5G, 1/6++ (1/5 hp) HP, MBP / HBP -R134a, 220-240V/1/50/60Hz, displacement 5.08 cm³, motor type RSCR

Category: compressor

written by www.mbsm.pro | 13 January 2022



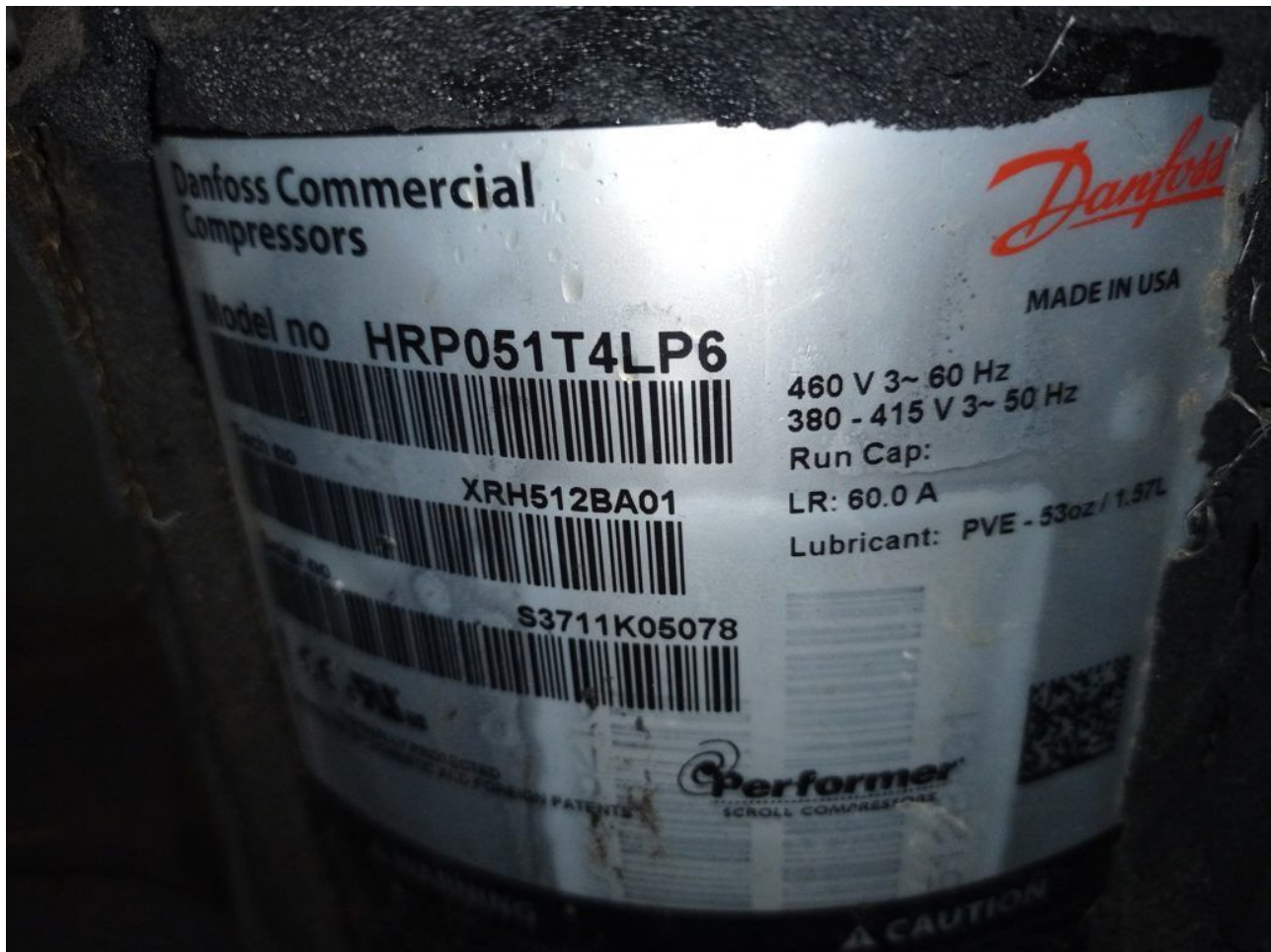
Private Picture Copyright: WWW.MBSM.PRO

Mbsm.pro, Compressor Necchi, Esm5, 1/5 Hp, R12, Replaced by , COMPRESSOR, DANFOSS, TL 5G, 1/6++ (1/5 hp) HP, MBP / HBP -R134a, 220-240V/1/50/60Hz, displacement 5.08 cm³, motor type RSCR

Mbsm.pro, Scroll, Danfoss, HRP051T4LP6, compressors, Hermetic, 49.15 kBtu/h, R22, R407C, 4 1/4Hp, 3Ph, POE, Lra 60A

Category: compressor

written by www.mbsm.pro | 13 January 2022



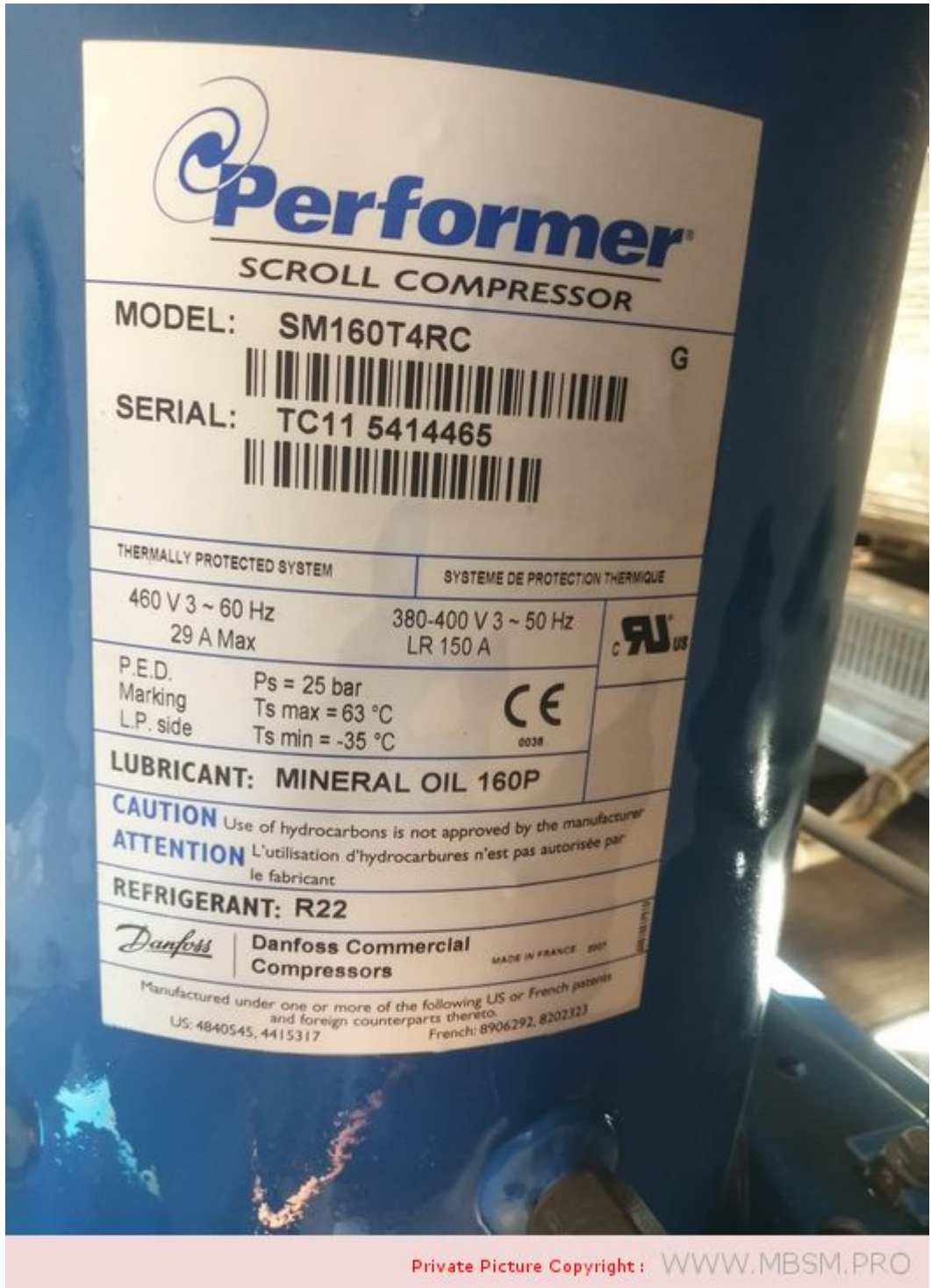
Private Picture Copyright: WWW.MBSM.PRO

bsm.pro, Scroll, Danfoss, HRP051T4LP6, compressors, Hermetic, 49.15 kBtu/h, R22, R407C, 4 1/4Hp, 3Ph, POE, Lra 60A

Mbsm.pro, Danfoss, Compressor,
SM160T4RC, SM-160, 13hp, 3ph, R22,
133500BTU

Category: compressor

written by www.mbsm.pro | 13 January 2022



Private Picture Copyright : WWW.MBSM.PRO

SM160T4RC

Basic Info.

Model NO.Sm160N.W.90kgTransport PackagePackage: Wooden Case/Pallet or as Your RequirementSpecificationSM series SM090TrademarkperformerOriginFranceHS Code8414301300Production Capacity50000 Sets/Year

Product Description

SM-160 Performer Scroll compressor for R22
 13HP Performer Scroll Compressor SM160
 SPECIFICATIONS FOR SM160

Products Details	Models: SM160 Type	Hermetic
Power	Phase	3
Horse Power	HP	13
Main performance parameters	Input Power	W 380-420/3/60
REFRIGRANT		R22
SIZE		54.0/35.0
Physcial parameters	Hight	MM 353
Weight	KG	90
Q'ty / Pallet	PIECE	6

Product Description

5.Techincal sheet as below:

50Hz
Data

Model	Nominal Cap.60HZ	Nominal cooling capacity	Power input	Cop	E.E.R.	Swept Volume	Displacement	Oil charge	N.W.
TR	W	Btu/h	KW	W/W	Btu/h/W	cm/rew	m/h	dm	kg
SM084	7	20400	69600	6.12	3.33	11.4	114.5	19.92	3.3 64
SM090	7.5	21800	74400	6.54	3.33	11.4	120.5	20.97	3.3 65
SM100	8	23100	79000	6.96	3.33	11.3	127.2	22.13	3.3 65
SM110	9	25900	88600	7.82	3.32	11.3	144.2	25.09	3.3 73
SM112	9.5	27600	94400	7.92	3.49	11.9	151.5	26.36	3.3 64
SM115	9.5	28000	95600	8.31	3.37	11.5	155	26.97	3.8 78
SM120	10	30100	102800	8.96	3.36	11.5	166.6	28.99	3.3 73
SM124	10	31200	106300	8.75	3.56	12.2	169.5	29.5	3.3 64
SM125	10	30100	102800	8.93	3.37	11.5	166.6	28.99	3.8 78
SM147	12	36000	123000	10.08	3.58	12.2	193.5	33.7	3.3 67
SM148	12	36100	123100	10.8	3.34	11.4	199	34.6	3.6 88
SM160	13	39100	133500	11.6	3.37	11.5	216.6	37.69	4 90
SM161	13	39000	133200	11.59	3.37	11.5	216.6	37.69	3.6 88
SM175	14	42000	143400	12.46	3.37	11.5	233	40.54	6.2 100

Product details

Gross weight 102 kg

Net weight 90 kg

EAN 5702428980432

Approval standard

CE
UL

Brand technique

After sale

Capacity control

Fixed speed

Colour

Blue

Compressor power supply [V/Ph/Hz]	400/3/50 460/3/60
Configuration code	Single
Connection type	Rotolock
Description	SM160-4
Diameter [mm]	266 mm
Discharge connection height [mm]	596 mm
Discharge connection mounting torque [Nm]	110 Nm
Discharge connection pipe size [in]	7/8 in
Discharge connection rotolock size [in]	1 3/4 in
Discharge connection size [in]	1 3/4 in
Discharge connection sleeve pipe size [in]	7/8 in
Drawing number	8551120b
Economizer	No
Factory HP [bar]	33 bar
Factory LP [bar]	25 bar
Fitting remark	(shipped with rotolock version only)
Fitting sleeve	ODF
Fitting standard	Rotolock
Frequency [Hz]	50/60
Gauge port HP	None
Gauge port LP	Schrader
Generation code	C
Glass mounting	Threaded
Glass torque [Nm]	50 Nm
GP LP torque [Nm]	15 Nm
High side max pressure (Ps)	30.2 bar
High Side TS Max	150 °C
High Side TS Min	-35 °C
High Side Volume	1.7 L
High value of nominal voltage at 50Hz [V]	400 V
High value of nominal voltage at 60Hz [V]	460 V
High value of voltage range at 50Hz [V]	440 V
High value of voltage range at 60Hz [V]	506 V
IP protection class	IP54 (with cable gland)
Low side max pressure (Ps)	25 bar
Low Side TS Max	63 °C
Low Side TS Min	-35 °C
Low Side Volume	16.5 L
Low value of nominal voltage at 50Hz [V]	380 V
Low value of nominal voltage at 60Hz [V]	460 V
Low value of voltage range at 50Hz [V]	342 V
Low value of voltage range at 60Hz [V]	414 V
LRA	150 A
Maximum Operating Current [MOC]	29 A
MMT	29 A
Model number	SM160T4RC

Motor protection	Internal thermostat, ext. overload protector needed
Mounting torque [Nm]	21 Nm
Nominal cooling capacity 60 kBTU/h	163.14 kBtu/h
Nominal cooling capacity at 50Hz	35.3 kW
Nominal cooling capacity at 60Hz	47.8 kW
Number of starts per hour [Max]	12
Oil charge [L]	4 L
Oil drain	1/4" flare
Oil drain torque [Nm]	35 Nm
Oil equalization	3/8" flare SAE
Oil equalization torque [Nm]	48 Nm
Oil reference	160P
Oil type	Mineral
Packaging height [mm]	671 mm
Packaging length [mm]	470 mm
Packaging weight [Kg]	671 kg
Packaging width [mm]	370 mm
Packing format	Single pack
Packing quantity	1
Phase	3
Power connections	Screw 4.8 mm
Refrigerant	R22
Refrigerant charge [kg] [Max]	12.5 kg
Relief valve	None
Rotational speed at 50Hz [rpm]	2900 rpm
Rotational speed at 60Hz [rpm]	3500 rpm
Segment usage	Air conditioning
Shipped fittings	Suction and discharge solder sleeves, rotolock nuts and gaskets
Shipped instructions	Installation instructions
Shipped mounting	Mounting kit with grommets, bolts, nuts, sleeves and washers
Shipped oil	Initial oil charge
Suction connection height [mm]	180 mm
Suction connection mounting torque [Nm]	130 Nm
Suction connection pipe size [in]	1 3/8 in
Suction connection rotolock size [in]	2 1/4 in
Suction connection size [in]	2 1/4 in
Suction connection sleeve pipe size [in]	1 3/8 in
Swept volume [cm ³]	216.6 cm ³
Technology	Scroll
Test dif [bar] [Max]	24 bar
Test HP [bar] [Max]	32 bar
Test LP [bar] [Max]	25 bar

Torque earth [Nm]	2 Nm
Torque Ebox cover [Nm]	2.3 Nm
Torque power [Nm]	3 Nm
Total height [mm]	631 mm
Type	SM
Type designation	Compressor
Viscosity [cP]	32 cP
Winding resistance for three-phase compressors with identical windings [Ohm]	0.94 Ohm



Private Picture Copyright : WWW.MBSM.PRO

Mbsm_dot_pro_private_PDF_Sm160Tarc-
meituo_en_made_in_china_com_product_ENYJSPnUTrkR_China_Sm_16Télécharger
Mbsm_dot_pro_private_PDF_SM-160-10993_danfossTélécharger

COMPRESSOR, DANFOSS, NL8.4MF, R134A, 1/4HP, 8.35CM³, Compressor Danfoss Secop NL8.4MF, 105G6879, MBP -R134a, 220-240V/1/50Hz, discharge 8.35 cm³, motor type RSIR / CSIR, oil type POE, oil charge 320 cm³, 741 W at +7.2 / +55° C, LRA 11.7 A, maximum refrigerant charge 600 g, height: 197 mm, weight 10.5 kg

Category: compressor

written by www.mbsm.pro | 13 January 2022



Private Picture Copyright: WWW.MBSM.PRO

230V 50/60HZ

FICHE TECHNIQUE COMPRESSEUR DANFOSS NL8.4MF AU R134A 1/4HP 8.35CM3

Puissance HP 1/4
Tension (V) 230
Fréquence (Hz) 50/60
Marque pie DANFOSS
Cylindré 8.35
Référence marque NL8.4MF



Private Picture Copyright : WWW.MBSM.PRO

Applications	HBP LBP MBP
Charge en fluide frigorigène [kg] [Max]	1.3 kg
Charge en huile [L]	600 L
Code de configuration	Simple
Couleur	Noir
Courant d'appel HST [A]	18.6 A
Description	SC18G
Diamètre de raccordement à l'aspiration [mm]	10.2 mm
Diamètre du raccord au refoulement [mm]	6.2 mm
Diamètre du raccordement du traitement [mm]	6.2 mm
Désignation du modèle	Compresseur
Emballage (format)	Emballage industriel
Faible valeur de plage de tension à 50 Hz [V]	187 V
Faible valeur de plage de tension à 60 Hz [V]	198 V
Faible valeur de tension nominale à 50 Hz [V]	208 V
Faible valeur de tension nominale à 60 Hz [V]	220 V
Fluides	R134a
Fréquence [Hz]	50/60
Hauteur de la base [mm]	213 mm
Hauteur du raccordement de refoulement [mm]	110 mm
Hauteur raccordement aspiration [mm]	193 mm
Hauteur totale [mm]	219 mm
LRA HST [A]	18.6 A
Matériel du raccord au process	Acier cuivré
Matériel du raccord d'aspiration	Acier cuivré
Matériel du raccord de refoulement	Acier cuivré
Niveau d'énergie de l'application	Compresseur universel
Nombre de phases (compresseur)	1
Nombre de phases (ventilateur)	1
Norme d'approbation	CE EN 60335-2-34 avec Annexe AA
Notes concernant le raccord de refoulement	Capuchon en aluminium
Notes concernant le raccordement au process	Capuchon en aluminium
Notes concernant le raccordement à l'aspiration	Capuchon en aluminium
N° de modèle	SC18G
N° de schéma	8258
Oil type	POE
Phase	1
Puissance frigorifique nominale 60 kBTU/h	6.06 kBTU/h
Puissance frigorifique nominale à 60 Hz	1.8 kW
Quantité d'huile [cm³]	600 cm ³
Quantité par emballage	80
raccord de refoulement équerre [°]	37 °

raccord d'aspiration équerre [°]	37 °
Raccordement de process équerre	37 °
Régulation de la puissance	Vitesse fixe
Résistance de l'enroulement auxiliaire (enroulement de démarrage) pour compresseurs monophasés [ohm]	14.1 Ohm
Résistance de l'enroulement principal pour compresseurs monophasés [Ohm]	3.7 Ohm
Technique de la marque	Compresseur à pistons
Technologie	Piston
Température d'enroulement max. continue [°C] [Max]	125 °C
Température de l'enroulement à court terme [°C] [Max]	135 °C
Tension 50 Hz [V]	220 V
Tension 50 Hz [V] [max.]	240 V
Tension 60 Hz [V]	220 V
Tension 60 Hz [V] [max.]	240 V
Type	SC
Type de moteur	CSIR
Type de socle	Universel
Utilisation de tronçon	Réfrigération LT Réfrigération MT
Valeur du condensateur A	10 µF
Valeur du condensateur B	80 uF
Valeur élevée de plage de tension à 50 Hz [V]	254 V
Valeur élevée de plage de tension à 60 Hz [V]	254 V
Valeur élevée de tension nominale à 50 Hz [V]	230 V
Valeur élevée de tension nominale à 60 Hz [V]	230 V
Vitesse de rotation à 50 Hz [rpm]	2900 rpm
Vitesse de rotation à 60 Hz [rpm]	3500 rpm
Volume balayé [cm ³]	17.69 cm ³
Volume de gaz libre [cm ³]	1460 cm ³
Économiseur	No

Documents

Type de document	Country	Langue	Titre
	France	Français	
	Afrique du Sud	Anglais	
	Allemagne	Français	
	Australie Autriche	Allemand	
	Belarus Belgique	Anglais	
	Brazil Bulgarie	Arabe	
	Canada Chili Chine (continentale)	Bulgare	
	Colombie Corée du Sud	Chinois	
	Croatie	Coréen	
	Danemark	Croate	
	Emir.arab.unis	Danois	
	Espagne Estonia	Espagnol	
	Finlande Grande Bretagne	Estonien	
	Grèce	Finnois	Grec
	Hongrie Inde + Sikkim	Hindi	
	Indonésie	Hongrois	
	Ireland Islande	Hébreu	
	Israël Italie	Indonésien	
	Japon Kazakhstan	Islandais	
	Lettonie Lithuania	Italien	Titre
	Macedonia Malaisie	Japonais	
	Mexique N. Zélande	Kazakh	
	Norvège Pays-Bas	Letton	
	Philippines	Lituanien	
	Pologne Portugal	Norvégien	
	Roumanie Russian Federation	Néerlandais	
	Rép. tchèque Saudi Arabia	Polonais	
	Serbia	Portugais	
	Singapour	Roumain	
	Slovaquie Slovénie	Russe	Serbe
	Suisse Suède	Slovaque	
	Taiwan, Chine	Slovène	
	Thailand Tunisie	Suédois	
	Turquie Ukraine	Suèdois	
	USA Viêt Nam	Tchèque	Thaï
	Vénézuéla	Turc	
		Ukrainien	
		Vietnamien	
Fiche technique	France	Français	220V Hermetic Compressors – R12 – R22 – R205 AI32443441788901-FR0101 1984 KB
Fiche technique	France	Français	Listing Compresseur Secop AI302136056984fr-FR0101 253 KB
Guide d'installation	France	Français	Instructions SC Compressors (external Protector) AN00008643706001-000401 124 KB
Guide d'installation	France	Français	Instructions SC Twin Compressors AN00008643707201-000101 183 KB

Type de document	Country	Langue	Titre
	France		
	Afrique du Sud	Langue	
	Allemagne	Français	
	Australie Autriche	Allemand	
	Belarus Belgique	Anglais	
	Brazil Bulgarie	Arabe	
	Canada Chili Chine	Bulgare	
	(continentale)	Chinois	
	Colombie Corée du	Coréen	
	Sud Croatie	Croate	
	Danemark	Danois	
	Emir.arab.unis	Espagnol	
	Espagne Estonia	Estonien	
	Finlande Grande	Finnois Grec	
	Bretagne Grèce	Hindi	
	Hongrie Inde +	Hongrois	
	Sikkim Indonésie	Hébreu	
	Ireland Islande	Indonésien	
	Israël Italie	Islandais	
	Japon Kazakhstan	Italien	Titre
	Lettonie Lithuania	Japonais	
	Macedonia Malaisie	Kazakh	
	Mexique N. Zélande	Letton	
	Norvège Pays-Bas	Lituanien	
	Philippines	Norvégien	
	Pologne Portugal	Néerlandais	
	Roumanie Russian	Polonais	
	Federation Rép.	Portugais	
	tchèque Saudi	Roumain	
	Arabia Serbia	Russe Serbe	
	Singapour	Slovaque	
	Slovaquie Slovénie	Slovène	
	Suisse Suède	Suédois	
	Taiwan, Chine	Tchèque Thaï	
	Thailand Tunisie	Turc	
	Turquie Ukraine	Ukrainien	
	USA Viêt Nam	Vietnamien	
	Vénézuéla		

**Matériel
promotionnel**

France

Français

Refrigerant Circuit

AV00008642183800-000402
463 KB

Compresseur Danfoss SC18G - R134a

Cylindrée = 17.69 CM3

APPLICATIONS = HP; BP; MP

Moteur = CSIR

220-240V 50/60Hz



Design

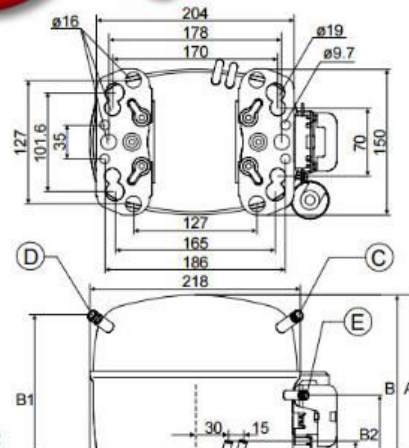
Displacement	cm ³	17.69
Oil quantity	cm ³	600 (550 on comp. with oil cooler)
Maximum refrigerant charge	g	1300
Free gas vol. in compressor	cm ³	1460
Weight without electrical equipment	kg	13.7

Motor

Motor size	watt	495
LRA (rated after 4 sec. UL984) HST	A	18.6
Cut-in current HST	A	18.6
Resistance, main and start winding (25°C)	Ω	3.7/14.1
Approvals		EN 60335-2-34, CCIB

Dimensions

104G8830 104G8820 104G8822



Private Picture Copyright : WWW.MBSM.PRO

R134a	refrigerant	605076	رقم القطعة
HP 1/2	power	SC18G	type
cm ³ 17.7	cylinder capacity	W 495	power input
V 220-240	voltage	CSIR	motor system
W 844	power at -10°C	mm 219	height
W 1343	power at 0°C	W 1074	power at -5°C
W -	power at -30°C	W 1655	power at +5°C
W 485	power at -20°C	W 348	power at -25°C
W 2014	power at +10°C	W 649	power at -15°C
HMBP	application	ASHRAE	test method
kg 13.7	weight	Hz 50	frequency



Private Picture Copyright : WWW.MBSM.PRO

Visuels

Mbsm_dot_pro_private_PDF_SC18GTélécharger



Private Picture Copyright : WWW.MBSM.PRO

Danfoss, secop, refrigerator,
compressor, SC15G, 104G8520, R134a,
3/8HP, 1ph/220V-240/50HZ

Category: compressor

written by www.mbsm.pro | 13 January 2022



Private Picture Copyright : WWW.MBSM.PRO

3/8HP Danfoss secop refrigerator compressor SC15G 104G8520 for R134a

Main features:

1. Adopt high efficient rotary compressor and Japan made motors, save power 10% or above.
2. The horizontal designed series can save much space.
3. Optimized design can be tightly built inside the equipment,

which can save installation time and labor cost.

4. Widely used in freezing storage, cold room, automatic vendor machine, cold tanks on the ship, etc. as well as in the home use, commercial, refrigerator, refrigeration machine, dehumidifier, low-temperature laboratory device and some special refrigeration equipment.

Available models and details for secop compressor:

Model	Gas	Qty/pallet	HP	Voltage	Code	Details
SC10C	R22	80	1/3	1ph/220V-240/50HZ	104L2516	MLBP HST
SC12C	R22	80	3/8	1ph/220-240V/50HZ	104L2674	MLBP HST
SC15CM	R22	80	1/2	1ph/220V-240V/50HZ	104L2848	MLBP HST
SC18CM	R22	80	5/8	1ph/220-240V/50HZ	104L2120	MLBP HST
SC10D	R22	80	3/8	1ph/220-240V/50HZ	104L2529	MHBP HST
SC12D	R22	80	1/2	1ph/220-240V/50HZ	104L2694	MHBP HST
SC15D	R22	80	5/8	1ph/220-240V/50HZ	104L2859	MHBP HST
SC10CL	R404A	80	1/3	1ph/220-240V/50HZ	104L2523	LMBP HST
SC12CL	R404A	80	3/8	1ph/220-240V/50HZ	104L2623	LMBP HST
SC15CL	R404a	80	1/2	1ph/220-240V/50HZ	104L2853	LMBP HST
SC18CL	R404a	80	5/8	1ph/220V-240V/50HZ	104L2123	LMBP HST
SC21CL	R404a	80	7/8	1ph/220-240V/50HZ	104L2322	LBP HST
SC10G	R134a	80	5/16	1ph/220-240V/50HZ	104G8000	LMHBP HST
SC12G	R134a	80	1/3	1ph/220-240V/50HZ	104G8240	LMHBP HST
SC15G	R134a	80	3/8	1ph/220V-240V/50HZ	104G8520	LMHBP HST
SC18G	R134a	80	1/2	1ph/220-240V/50HZ	104G8820	LMHBP HST
SC21G	R134a	80	5/8	1ph/220-240V/50HZ	104G8140	LMHBP HST



Private Picture Copyright : WWW.MBSM.PRO

Mbsm_dot_pro_private_PDF_sc15g_104g8520_r134a_220v_50hz_60hz_01-2013_desd402k302
Télécharger

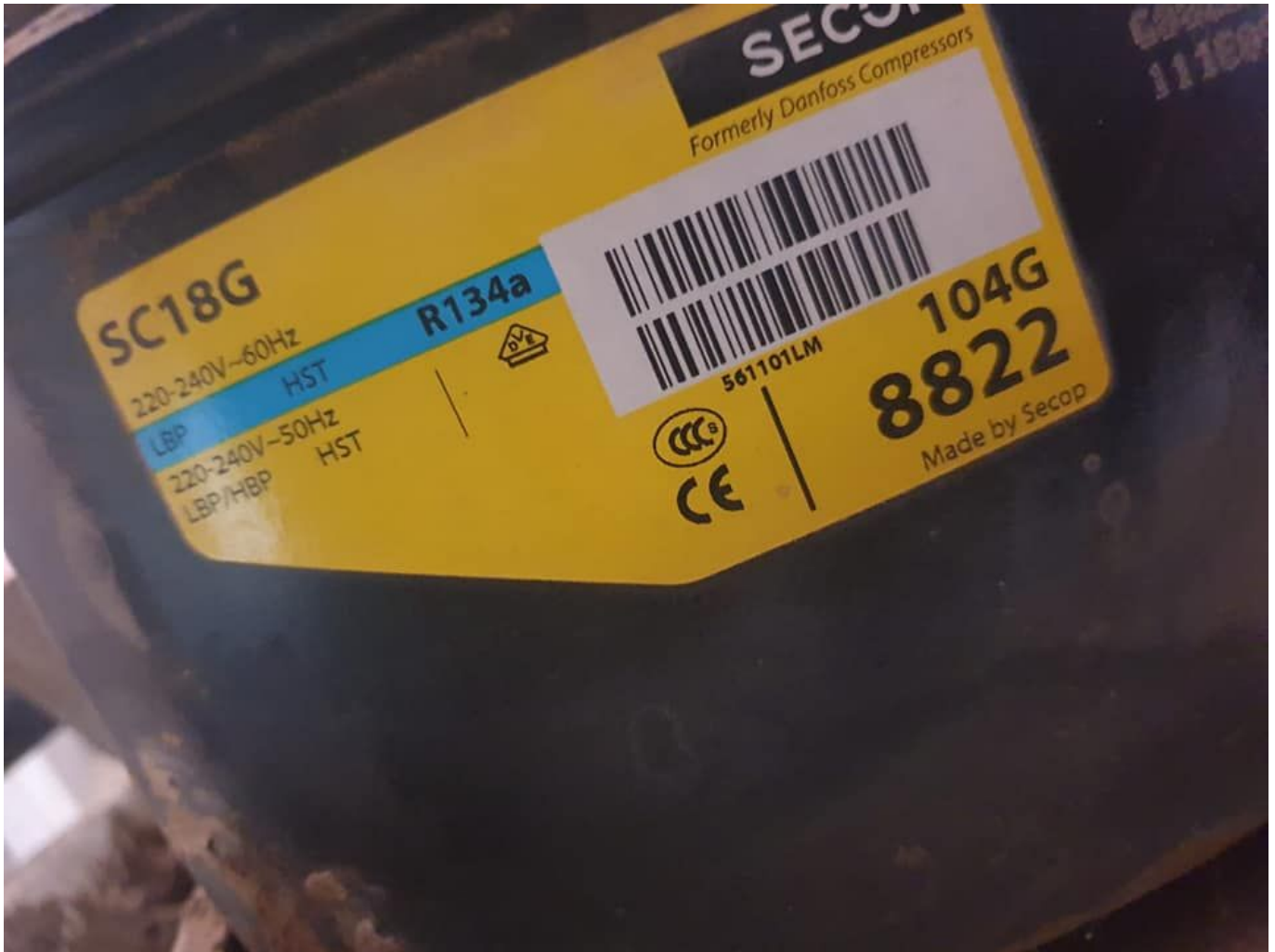
Compressor, Danfoss, Secop, SC18G, 104g8822, 1/2HP, R134A, 685 Litres, Presentoire cokacolla, LBP/HBP

Category: compressor

written by www.mbsm.pro | 13 January 2022



Private Picture Copyright : WWW.MBSM.PRO



Private Picture Copyright : WWW.MBSM.PRO

Overview Quick details Type : compressor Brand Name : SECOP Model Number : ASC18G Certification : CE, CCC After-sales service provided : No overseas service provided. Gas : R134a Type : Piston Power Source : AC Power Lubrication Style : Lubricated Mute : Yes Package : wooden case or carton Application : Danfoss Freezer Compressor Delivery time : 7-20 Days Special period : 1 month Supply Ability Supply Ability 3000 Piece / Pieces per Month Packaging and shipping Packaging Details 1. For small order quantity: packed with a wooden case or carton.

2. For full container: packed with pallet, 24 pallets in one 20ft container. posture GuangZhou, Huangpu port Processing time: : A. 7-30 days

1. Product name:

1, Danfoss refrigeration / refrigeration compressor SC18G

2. Type: LBP 3. Voltage

: 220 ~ 240V / 50Hz, 1 / 2HP

No	Model	HP	Temperature	Electricity	Refrigerant
1	SC10C	1/3	LBP	220~240V/50HZ	R22
2	SC12C	3/8	LBP	220~240V/50HZ	R22
3	SC15CM	1/2	LBP	220~240V/50HZ	R22
4	SC18CM	5/8	LBP	220~240V/50HZ	R22
5	SC10D	3/8	MBP	220~240V/50HZ	R22
6	SC12D	1/2	MBP	220~240V/50HZ	R22
7	SC15D	5/8	MBP	220~240V/50HZ	R22
8	SC10G	5/16	MBP	220~240V/50HZ	R22
9	SC12G	1/3	MBP	220~240V/50HZ	R134A
10	SC15G	3/8	MBP	220~240V/50HZ	R134A
11	SC18G	1/2	MBP	220~240V/50HZ	R134A
12	SC21G	5/8	MBP	220~240V/50HZ	R134A
13	SC10CL	1/3	LBP	220~240V/50HZ	R404a
14	SC12CL	3/8	LBP	220~240V/50HZ	R404a
15	SC15CL	1/2	LBP	220~240V/50HZ	R404a
16	SC18CL	5/8	LBP	220~240V/50HZ	R404a
17	SC21CL	7/8	LBP	220~240V/50HZ	R404a

Private Picture Copyright : WWW.MBSM.PRO

4. Gas consumption: R134a



Everest

Number	: 1117825	Model	: EV 024 SD		
Volume	: 1.2 CBM	Capacity	: 685 LTRS		
Weight	: 157 KG	Color/Logo	: RED		
Consumption	: 14 Kwh/24 hrs	Date	: DEC 2011		
Hz	: 50	Ref. Type	: R134A	GRMS	: 475
Watt	: 646	Climate Class	: D		
Capacity at 0 Deg.C evaporator temperature: 980					

MADE IN EGYPT



Wattage of Lamps: 20(TOP) 40(SIDE)



Private Picture Copyright : WWW.MBSM.PRO



Private Picture Copyright : WWW.MBSM.PRO



Private Picture Copyright : WWW.MBSM.PRO

PARIS 210 (-)



AHT

Serialnr 409974 00007779

Gerätedaten
cabinet data

Innenraumbeleuchtung
Light inside cabinet

class 3 (25°C/60%rH)

(-)

Nennspannung/frequ. Nom Voltg./frequ.
Tension/Fréquence nominale

220-240V/50Hz

220-240V/50Hz

Nennaufnahme Nom Consump.
Prise de courant nominale

480 W

50 W

Nennstrom Nom Current
Courant nominal

2,6 A

0,21 A

Schutzart Protection class
Type de protection

IP 21

IP 21

Typ Type

B 825

LE221

Energieaufnahme Energy consump.
Absorption d'énergie

9,2 kWh/24h

Absicherung Fuse
Protection par fusibles

16 A

Kältemittel(Menge) Refrigerant(Quan)
Type / Quantité de réfrigérant

R404A/0,250 kg

Nettoinhalt Net Content
Capacité nette

724 dm³

Lampe Lamp
Lampe

max. zul. Betriebsüberdruck 30 bar
Eigensicher nach VVV-VBG 20, § 7.3
Dichtheit geprüft

Surpression max. de service admise
Sécurité propre selon VVV-VBG 20
Imperméabilité examinée



ENTSORGUNGSHINWEIS

WARMEDAMMSTOFF: PU MIT PENTAN

Das Gerät nicht dem normalen Müll, sondern als Sondermüll entsprechend den Vorschriften für die Entsorgung zu behandeln.

Darauf achten, daß dabei die Rohrleitungen nicht beschädigt werden.

DISPOSAL
THERMAL INSULATION: PU WITH PENTAN
The cabinet is not standard waste but has to be disposed with local waste disposal regulations. Make sure that the tubes are not damaged.

MISE AU REBUT
ISOLATION THERMIQUE: PU AVEC PENTANE

Votre bahut n'est pas de rebut ordinaire. Il doit être traité conformément aux consignes locales de la mise au rebut. Faites attention de ne pas endommager les conduites.

Compressor, 103U2954, Danfoss, fr10B,
103u, 2954, 1/3 HP, lbp, r12, FR10B
COMPRESSOR 220V, 103U2954FR10B, FR11B
Compressor R-12 3/8 HP 230V, fr21b
Compressor R134a 3/4 HP++/ 1 hp-,
230V, hbp++

Category: compressor

written by www.mbsm.pro | 13 January 2022



Compressor, 103U2954, Danfoss, fr10B, 103u, 2954, 1/4 HP, lbp, r12, FR10B
COMPRESSOR 220V, 103U2954FR10B

COMPRESSOR, DANFOSS, SECOP, HMK95AA,
R600, 145W, 1/5CV, réfrigérateur ,
congélateur, LBP, Equivalent: EMBRACO
NBM1114Y – NBM1116Y, DANFOSS NLE11KK
– NL10K – NL11K – NLE15K, DANFOSS
NLE11KK – NL10K – NL11K – NLE15K,
DANFOSS NLE11KK – NL10K – NL11K –
NLE15K, ELECTROLUX HP14AH – HP12AH,
SECOP TLES8.7KK.3 – HMK95AA

Category: compressor

written by www.mbsm.pro | 13 January 2022



COMPRESSOR, DANFOSS, SECOP, HMK95AA, R600, 145W, 1/5CV, réfrigérateur ,
congélateur, LBP, Equivalent: EMBRACO NBM1114Y – NBM1116Y, DANFOSS NLE11KK –
NL10K – NL11K – NLE15K, DANFOSS NLE11KK – NL10K – NL11K – NLE15K, DANFOSS
NLE11KK – NL10K – NL11K – NLE15K, ELECTROLUX HP14AH – HP12AH, SECOP TLES8.7KK.3
– HMK95AA