

Daewoo JX58LHS5-K vs Embraco FFI7.5HAK Comparison

Category: Mbsmpro, Refrigeration

written by www.mbsm.pro | 31 January 2026



Private Picture Copyright : WWW.MBSM.PRO

Selecting the right compressor is the heartbeat of any refrigeration repair. Today, we dive deep into the Daewoo JX58LHS5-K and Embraco FFI7.5HAK. Both use R134a and operate in the LBP range, but their cooling capacities and displacements differ, making one better suited for tropical climates and the other for high-performance pull-down needs.

Mbsm.pro, Compressor, HSL17J, HSL17J-5, HSL17J-5T1, 1/6 hp, lbp, 134 w, 115 kcal, serie J, Daewoo Compressor, r134a, oil 280, rsir, LRA 5.22, 220v, 1 ph/50hz

Category: compressor

written by www.mbsm.pro | 31 January 2026

HSL17J-5T1

AC 220V 240V 50Hz

LRA 5.22 B134a (116)

THERMALLY PROTECTED

DAEWOO ELECTRONICS Co., Ltd.



MADE IN KOREA

K1060711-1



OPPO Reno4

19:47 7.07.2022

Mbsm.pro, Compressor, HSL17J, HSL17J-5 , HSL17J-5T1, 1/6 hp, lbp, 134 w, 115 kcal, serie J, Daewoo Compressor , r134a, oil 280, rsir, LRA 5.22, 220v, 1 ph/50hz

Mbsm.pro, hsl23ye-5, compressor 1/5 hp, DAEWOO COMPRESSOR

Category: compressor

written by www.mbsm.pro | 31 January 2026

HPL21YE-5-K	155	180	615	1.00	1.16	3.97RSCR	ST/OC/FC	9	290
HPL21YE-5-L	155	180	615	1.04	1.2	4.11RSCR	ST/OC/FC	8.9	290
HSL21YE-5	155	180	615	1.04	1.21	4.13RSIR	ST/OC/FC	9	290
HPL23YE-5	171	199	635	1.1	1.27	4.35RSCR	ST/OC/FC	9.5	290
HPL23YE-5-K	171	199	679	1.14	1.19	4.52RSCR	ST/OC/FC	9	290
HSL23YE-5	171	199	679	1.06	1.16	4.21RSIR	ST/OC/FC	9.3	290
HGH23YE-5	581	676	2306	1.94	2.25	7.69CSIR	OC/FC	9.3	290
HKL25YE-5	180	209	714	0.97	1.19	3.84CSIR	ST/OC/FC	9.5	290
HPL25YE-5-K	180	209	714	1.22	1.29	4.86RSCR	ST/OC/FC	9	290
HPL25YE-5-L	180	209	714	1.07	1.31	4.23RSCR	ST/OC/FC	9	290
HGH25YE-5	631	734	2504	1.88	2.19	7.47CSIR	OC/FC	9.5	290
HKL27YE-5	210	244	833	1.01	1.17	4.27CSIR	ST/OC/FC	9.5	290
HPL27YE-5	210	244	833	1.01	1.31	4.63RSCR	ST/OC/FC	9.5	290
HPL27YE-5-K	210	244	833	1.01	1.2	4.90RSCR	ST/OC/FC	9	290
HSL27YE-5	210	244	833	1.01	1.2	4.32RSIR	ST/OC/FC	9.5	290
HSL27YE-5A	210	244	833	1.01	1.22	4.32RSIR	ST/OC/FC	9.5	290
HKH27YE-5	732	851	2817	1.92	2.23	7.61CSIR	OC/FC	9.5	290
HSH27YE-5	732	851	2817	1.88	2.19	7.47RSIR	OC/FC	9.5	290
HKL30YE-5	230	267	913	1.01	1.1	3.61CSIR	ST/OC/FC	9.5	290
HPL30YE-5-K	230	267	913	1.01	1.28	4.75RSCR	ST/OC/FC	9	290
HSL30YE-5	230	267	913	1.01	1.05	3.61RSIR	ST/OC/FC	9.5	290
HSH30YE-5	780	907	3095	1.01	2.13	6.57RSIR	OC/FC	9.5	290
HKL30YE-5	230	267	913	1.01	1.1	3.61CSIR	ST/OC/FC	9.5	290
HPL30YE-5-K	230	267	913	1.01	1.28	4.41RSCR	ST/OC/FC	9	290
HSL30YE-5	230	267	913	1.01	1.05	3.61RSIR	ST/OC/FC	9.5	290



Private Picture Copyright : WWW.MBSM.PRO



Private Picture Copyright : WWW.MBSM.PRO

Mbsm.pro, Daewoo Compressor, YX58LHP5, R134a, 200 w, 1/4 hp, 683 BTU, Lbp, 95 G, Congélateur, CONDOR NOFROST, 375L

Category: compressor

written by www.mbsm.pro | 31 January 2026



Private Picture Copyright : WWW.MBSM.PRO

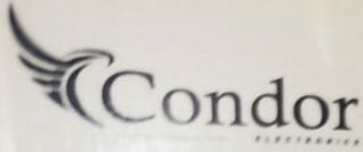
	JX58LHK4	5.84	161	170	198	675	1.06	1.23	4.19	CSIR	ST/FC	8.2	230
	JX58LHP4	5.84	139	170	198	675	1.22	1.42	4.85	RSCR	ST/FC	8.2	230
	JX58LHP4-K	5.85	155	170	198	675	1.10	1.28	4.35	RSCR	ST/FC	8.2	230
	JX58LHS4	5.84	150	170	198	675	1.13	1.32	4.50	RSIR	ST/FC	8.2	230
YH	HPL15YH-4	5.12	122	135	157	536	1.11	1.29	4.39	RSCR	ST/OC/FC	8.9	290
	HPL17YH-4	5.55	131	148	172	587	1.13	1.31	4.48	RSCR	ST/OC/FC	8.9	290
	HPL19YH-4	5.84	137	170	198	675	1.24	1.44	4.92	RSCR	ST/OC/FC	9.5	290
	HDL21YH-4	6.72	156	189	220	750	1.21	1.41	4.81	CSIR	ST/OC/FC	9.5	290
	HPL21YH-4	6.73	155	188	219	746	1.21	1.41	4.81	RSCR	ST/OC/FC	9.5	290
	HPL23YH-4	7.03	165	201	234	798	1.22	1.42	4.83	RSCR	ST/OC/FC	9.5	290
	HPL26YH-4	8.25	205	235	273	938	1.15	1.33	4.55	RSCR	ST/OC/FC	9.5	290
YX	YX46LHP4	4.62	104	125	145	496	1.20	1.40	4.77	RSCR	ST/OC/FC	8.8	290
	YX51LHP4	5.12	120	150	174	595	1.25	1.45	4.96	RSCR	ST/OC/FC	8.8	290
	YX51LHP4-K	5.12	128	144	168	572	1.12	1.31	4.46	RSCR	ST/OC/FC	8.8	290
	YX58LHP4	5.84	133	172	200	683	1.29	1.50	5.13	RSCR	ST/OC/FC	9.8	290
YG	HPL21YG-4	6.73	175	185	215	734	1.06	1.23	4.20	RSCR	ST/OC/FC	9.0	290
	HPL27YG-4A	8.69	232	250	291	992	1.08	1.25	4.28	RSCR	ST/OC/FC	9.5	290
	HPL30YG-4	9.92	247	283	329	1123	1.15	1.33	4.55	RSCR	ST/OC/FC	9.5	290

Private Picture Copyright : WWW.MBSM.PRO



Private Picture Copyright : WWW.MBSM.PRO





Réfrigérateur Congélateur

Modèle F-430NC Classe T

Volume brut 375L

Volume utile compt denrées fraîche 242L

Volume utile compt basse température 90L

Voltage / Fréquence 220-240V - 50Hz

Puissance 0.8A

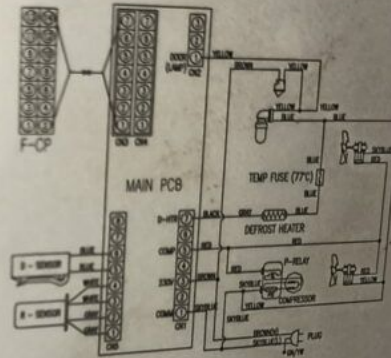
Puissance de dégivrage 180W

Puissance de lampe 25W*1

Réfrigérant R134a 95grs

N° de série

WIRING DIAGRAM



Note: 1. laissez au moins 5cm d'espace libre à l'arrière de l'appareil pour une bonne ventilation.
2. Après avoir débranché l'appareil, attendre 5 minutes avant de le rebrancher.

W341-S



Private Picture Copyright : WWW.MBSM.PRO

Mbsm_dot_pro_private_PDF_YX58LHP5-R134aTélécharger

Mbsm.pro, PDF, Personnel DOC, Files,
DAEWOO COMPRESSOR ,FOR REFRIGERATOR ,
220/240 V , R12, jx46lcs5, 1/6 Hp,
127 w, 109 kcal/h, 433 byu/h, lbp,
Jx58lhs5-k, 1/5 Hp, R134A

Category: Files

written by www.mbsm.pro | 31 January 2026

JX46LCS5

AC 220-240V 50Hz (J19)

LRA 4.3 R12 RoHS

THERMALLY PROTECTED

DAEWOO ELECTRONICS Corp.

MADE IN KOREA DAEWOO DC

K90100999

Mbsm.pro, PDF, Personel DOC, Files, DAEWOO COMPRESSOR ,FOR REFRIGERATOR ,
220/240 V , R12, jx46lcs5, 1/6 Hp, 127 w, 109 kcal/h, 433 byu/h, lbp, Jx58lhs5-
k, 1/5 Hp, R134A

Mbsm.pro, Compressor, DAEWOO
Compressor, Zed7003-9009H, NW108LHG4,
R-134a, 1/2HP, 230V, Lbp, Single-
Phase, Lra 11.7, 391 W, 336 Kcal/h,
1333 BTU/h, CSIR

Category: Archivation,compressor
written by www.mbsm.pro | 31 January 2026



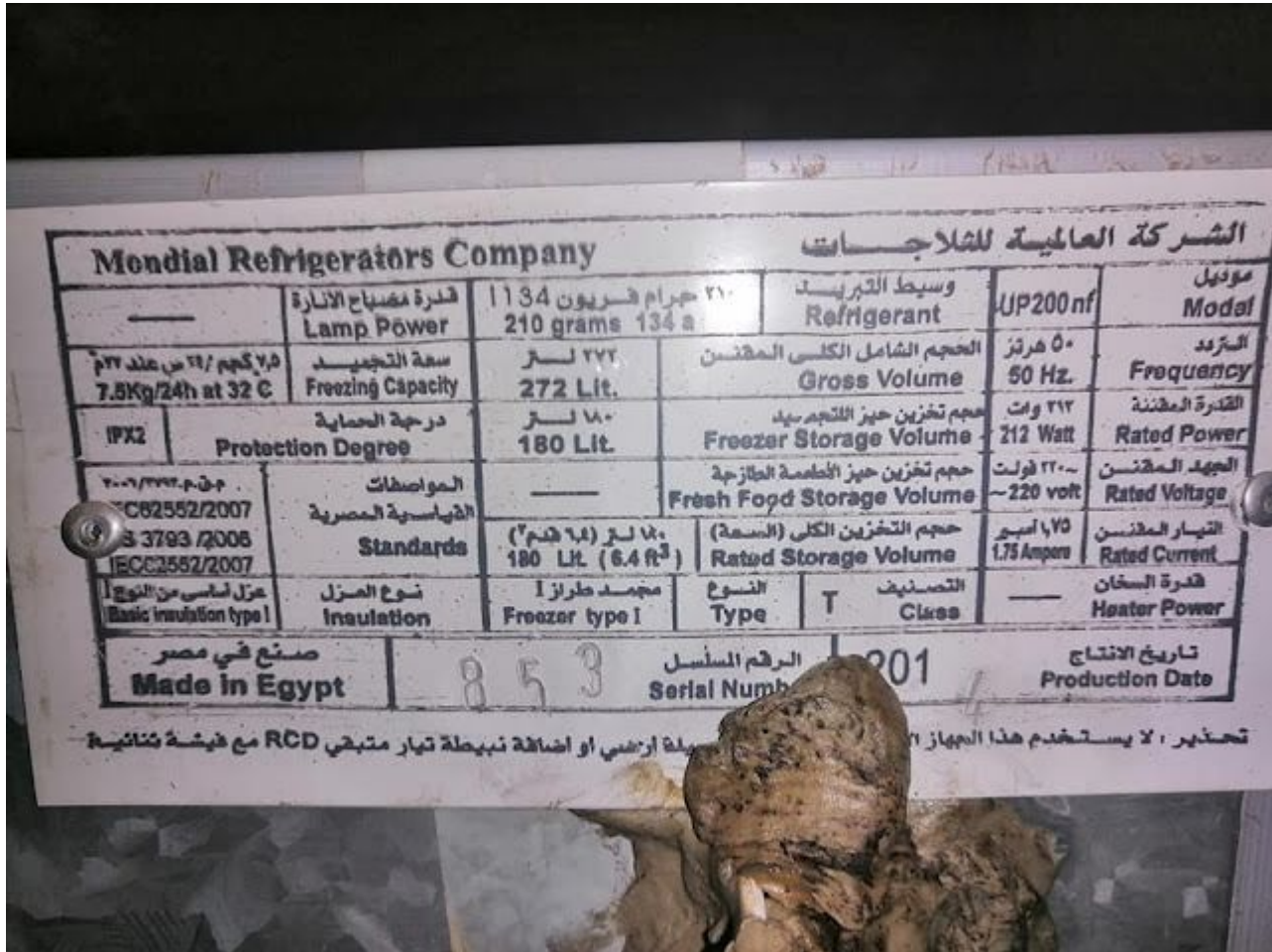
Private Picture Copyright : WWW.MBSM.PRO

Mbsm.pro, Compressor, DAEWOO Compressor, Zed7003-9009H, NW108LHG4, R-134a,
1/2HP, 230V, Lbp, Single-Phase, Lra 11.7, 391 W, 336 Kcal/h, 1333 BTU/h, CSIR

Mbsm.pro, Freezer no frost, Alaska,

Freezer vertical, 7 gavetas, 239L, Compressor 1/4 Hp, HSL27YE-5, DAEW00 COMPRESSOR, R134a, 220G, 220V, 180W, 1bp, CSIR

Category: compressor, Freezer
 written by www.mbsm.pro | 31 January 2026



Private Picture Copyright : WWW.MBSM.PRO

Freezer no frost, Alaska, Freezer vertical, 7 gavetas, 239L, Compressor 1/4 Hp, HSL27YE-5, DAEW00 COMPRESSOR, R134a, 220G, 220V, 180W

Mbsm.pro, PDF, DAEW00 COMPRESSOR, HPL23YH-5, 199W, 1/4 Hp, R134A , 90G

Category: Files
 written by www.mbsm.pro | 31 January 2026



Private Picture Copyright : WWW.MBSM.PRO



Private Picture Copyright: WWW.MBSM.PRO

[Mbsm_dot_pro_private_PDF_HPL23YH-5Télécharger](#)

[Mbsm_dot_pro_private_PDF_HPL23YH-5-2Télécharger](#)





Private Picture Copyright: WWW.MBSM.PRO

DAEWOO COMPRESSOR, HPL23YH-5, 199W, 1/4 Hp, R134A , 90G, CONGELATEUR, No-Frost, ENIM, ALGERIE, REFREGERATEUR, FR 4506, FR 4506 K, FR-4506K, Classe N, Volume Brut 447L , Volume utile 273L, Volume congélat 101L , 220-240v 50Hz

Category: compressor

written by www.mbsm.pro | 31 January 2026

1. OUTLINE

DIVISION		CONTENTS
MODEL NAME		FR4506K/N
USABLE CAPACITY(l)	FREEZER	101
	REFRIGERATOR	273
	TOTAL	374
EXTERNAL DIMENSION	WIDTH	708mm
	DEPTH	706mm
	HEIGHT	1715/1759mm
REFRIGERANT	R134a	90g
COOLING & CONTROL SYSTEM	COOLING SYSTEM	Fan Cooling System
	DEFROST SYSTEM	Fin Evaporator Forced
	DEFROST CONTROL	Automatic Start & Stop
NET WEIGHT(Kg)		69kg

Private Picture Copyright: WWW.MBSM.PRO

Capacité totale 374 L

Compartiment denrées fraîches 273L

Compartiment denrées congelées 101L

Dimensions (mm) – Sans emballage : 1759X706X708mm

– Avec emballage : 1801X726X754mm Poids

net (kg) : 78Kg

Brut (kg) : 69Kg

Contrôle des températures Thermostat

Type de refroidissement : No Frost (Dynamique)

Éclairage intérieur

Alimentation : 220-230/50/HZ

Consommation d'énergie (kwh / an) 520

Classe énergétique B

Classe climatique : Tempérée T

CFC 0 %

Réfrigérant R134 A




 Fabriqué en Algérie	
Réfrigérateur-Congélateur	****
Modèle FR-4506K	Classe N
Volume brut	447L
Volume utile compt denrées fraîches	273L
Volume utile compt basse température	101L
Voltage / Fréquence	220-240V - 50Hz
Puissance	
Puissance de dégivrage	160W
Puissance de lampe	15W*1
Consommation d'énergie(kwh/24h)	1.42
Réfrigérant R134a	90 grs
N° de série	
Code : Q376-29-1	


 FR-4506K




Picture Copyright : WWW.MBSM.PRO

ENIEM		Fabriqué en Algérie
Réfrigérateur-Congélateur	****	
Modèle FR-4506K		Classe N
Volume brut	447L	
Volume utile compt denrées fraîche	273L	
Volume utile compt basse température	101L	
Voltage / Fréquence	220~240V -- 50Hz	
Puissance		
Puissance de dégivrage	160W	
Puissance de lampe	15W*1	
Consommation d'énergie(kwh/24h)	1.42	
Réfrigérant R134a	90 grs	
N° de série		
Code : Q376-29.1		



Private Picture Copyright : WWW.MBSM.PRO

1. OUTLINE

DIVISION		CONTENTS
MODEL NAME		FR4506K/N
USABLE CAPACITY(l)	FREEZER	101
	REFRIGERATOR	273
	TOTAL	374
EXTERNAL DIMENSION	WIDTH	708mm
	DEPTH	706mm
	HEIGHT	1715/1759mm
REFRIGERANT	R134a	90g
COOLING & CONTROL SYSTEM	COOLING SYSTEM	Fan Cooling System
	DEFROST SYSTEM	Fin Evaporator Forced
	DEFROST CONTROL	Automatic Start & Stop
NET WEIGHT(Kg)		69kg

Private Picture Copyright : WWW.MBSM.PRO



HEL23YG-3B
② ② ② ② ① ② ②

NO	CONTENTS	
①	Refrigerant	H : R134a I : R600a No marking : R12
②	Motor type	PTC 100V Series F : RSIR E : RSCR C : CSIR B : CSR 220V Series S : RSIR P : RSCR K : CSIR D : CSR
		C-relay 100V Series R : RSIR N : CSIR 220V Series T : RSIR G : CSIR
③	Application	L : L B P H : H B P
④	Grade of Cooling Capacity	(reference : table of capacity range)
⑤	Series name	JE Y YE YH YG
⑥	Voltage & Frequency	No marking : 100V 50/60Hz 1 : 110-115V 60Hz 2 : 127V 60Hz 3 : 110V 60Hz 4 : 220V 60Hz
		5 : 220-240V 50Hz 7 : 115-127V 60Hz 8 : 220-240V 50Hz / 220V 60Hz 9 : 110V 50Hz
⑦	Improvedata order	

Private Picture Copyright : WWW.MBSM.PRO

Model	Cooling Capacity			Efficiency			Motor Type	Cooling Type	NetWeight [kg]	OilQty. [cc]
	Kcal/h	Watt	Btu/h	EFF Kcal/Wh	COP W/W	EER Btu/Wh				
HPL21YE-5-K	155	180	615	1.00	1.16	3.97	RSCR	ST/OC/FC	9	290
HPL21YE-5-L	155	180	615	1.04	1.2	4.11	RSCR	ST/OC/FC	8.9	290
HSL21YE-5	155	180	615	1.04	1.21	4.13	RSIR	ST/OC/FC	9	290
HPL23YE-5	171	199	635	1.1	1.27	4.35	RSCR	ST/OC/FC	9.5	290
HPL23YE-5-K	171	199	679	1.14	1.19	4.52	RSCR	ST/OC/FC	9	290
HSL23YE-5	171	199	679	1.06	1.16	4.21	RSIR	ST/OC/FC	9.3	290
HGH23YE-5	581	676	2306	1.94	2.25	7.69	CSIR	OC/FC	9.3	290
HKL25YE-5	180	209	714	0.97	1.19	3.84	CSIR	ST/OC/FC	9.5	290
HPL25YE-5-K	180	209	714	1.22	1.29	4.86	RSCR	ST/OC/FC	9	290
HPL25YE-5-L	180	209	714	1.07	1.31	4.23	RSCR	ST/OC/FC	9	290
HGH25YE-5	631	734	2504	1.88	2.19	7.47	CSIR	OC/FC	9.5	290
HKL27YE-5	210	244	833	1.01	1.17	4.27	CSIR	ST/OC/FC	9.5	290
HPL27YE-5	210	244	833	1.01	1.31	4.63	RSCR	ST/OC/FC	9.5	290
HPL27YE-5-K	210	244	833	1.01	1.2	4.90	RSCR	ST/OC/FC	9	290
HSL27YE-5	210	244	833	1.01	1.2	4.32	RSIR	ST/OC/FC	9.5	290
HSL27YE-5A	210	244	833	1.01	1.22	4.32	RSIR	ST/OC/FC	9.5	290
HKH27YE-5	732	851	2817	1.92	2.23	7.61	CSIR	OC/FC	9.5	290
HSH27YE-5	732	851	2817	1.88	2.19	7.47	RSIR	OC/FC	9.5	290
HKL30YE-5	230	267	913	1.01	1.1	3.61	CSIR	ST/OC/FC	9.5	290
HPL30YE-5-K	230	267	913	1.01	1.28	4.75	RSCR	ST/OC/FC	9	290
HSL30YE-5	230	267	913	1.01	1.05	3.61	RSIR	ST/OC/FC	9.5	290
HSH30YE-5	780	907	3095	1.01	2.13	6.57	RSIR	OC/FC	9.5	290
HKL30YE-5	230	267	913	1.01	1.1	3.61	CSIR	ST/OC/FC	9.5	290
HPL30YE-5-K	230	267	913	1.01	1.28	4.41	RSCR	ST/OC/FC	9	290
HSL30YE-5	230	267	913	1.01	1.05	3.61	RSIR	ST/OC/FC	9.5	290

Private Picture Copyright : WWW.MBSM.PRO

2. ELECTRIC PARTS

1) COMPRESSOR

REFRIGERANT	R-12						
VOLTAGE(V/Hz)	110/60	115,120/60	127/60	220/60	220/50	230/50	240/50
COMP MODEL	X	X	CL23YE-2	PL21YE-4	SL27YE-5		
PART CODE	X	X	3957123A20	3956121A40	3954127A50		
STARTING TYPE	X	X	CSIR	RSCR	RSIR		

REFRIGERANT	R-134a						
VOLTAGE(V/Hz)	110/60	115,120/60	127/60	220/60	220/50	230/50	240/50
COMP MODEL	HEL18YH-1	<	HEL21YH-1	X	HPL23YH-5	<	<
PART CODE	3953118S10	<	3953121S10	X	3956123S50	<	<
STARTING TYPE	RSCR	<	RSCR	X	RSCR	<	<

2) RELAY

REFRIGERANT		R-12						
VOLTAGE(V/Hz)		110/60	115,120/60	127/60	220/60	220/50	230/50	240/50
ASSY	TYPE NAME	X	X	414THBYY-52	197SHBYY-52	232THBYY-52	<	<
	PART CODE	X	X	3018120700	3018118130	3018119970	<	<
PTC	RESISTANCE	X	X	S068	S330	S220	<	<
OVER LOAD	PART NAME	X	X	414THB	197SHB	232THB	<	<

Private Picture Copyright: WWW.MBSM.PRO



Private Picture Copyright: WWW.MBSM.PRO

Mbsm_dot_pro_private_PDF_HPL23YH-5Télécharger
Mbsm_dot_pro_private_PDF_HPL23YH-5-Télécharger
Mbsm_dot_pro_private_PDF_HPL23YH-5-2Télécharger
Mbsm_dot_pro_private_PDF_HPL23YH-5-3Télécharger

DAEWOO Compressor , HSL25YE-5, 1/4HP, 1PH, R134a ,220-240V 50Hz, Puissance frigorifique, 204 W ,690 BTU

Category: Technologie, Tester ok
written by www.mbsm.pro | 31 January 2026



Private Picture Copyright : WWW.MBSM.PRO

DAEWOO Compressor , HSL25YE-5, 1/5HP , 1PH, R134a ,220-240V 50Hz, Puissance frigorifique 176 W