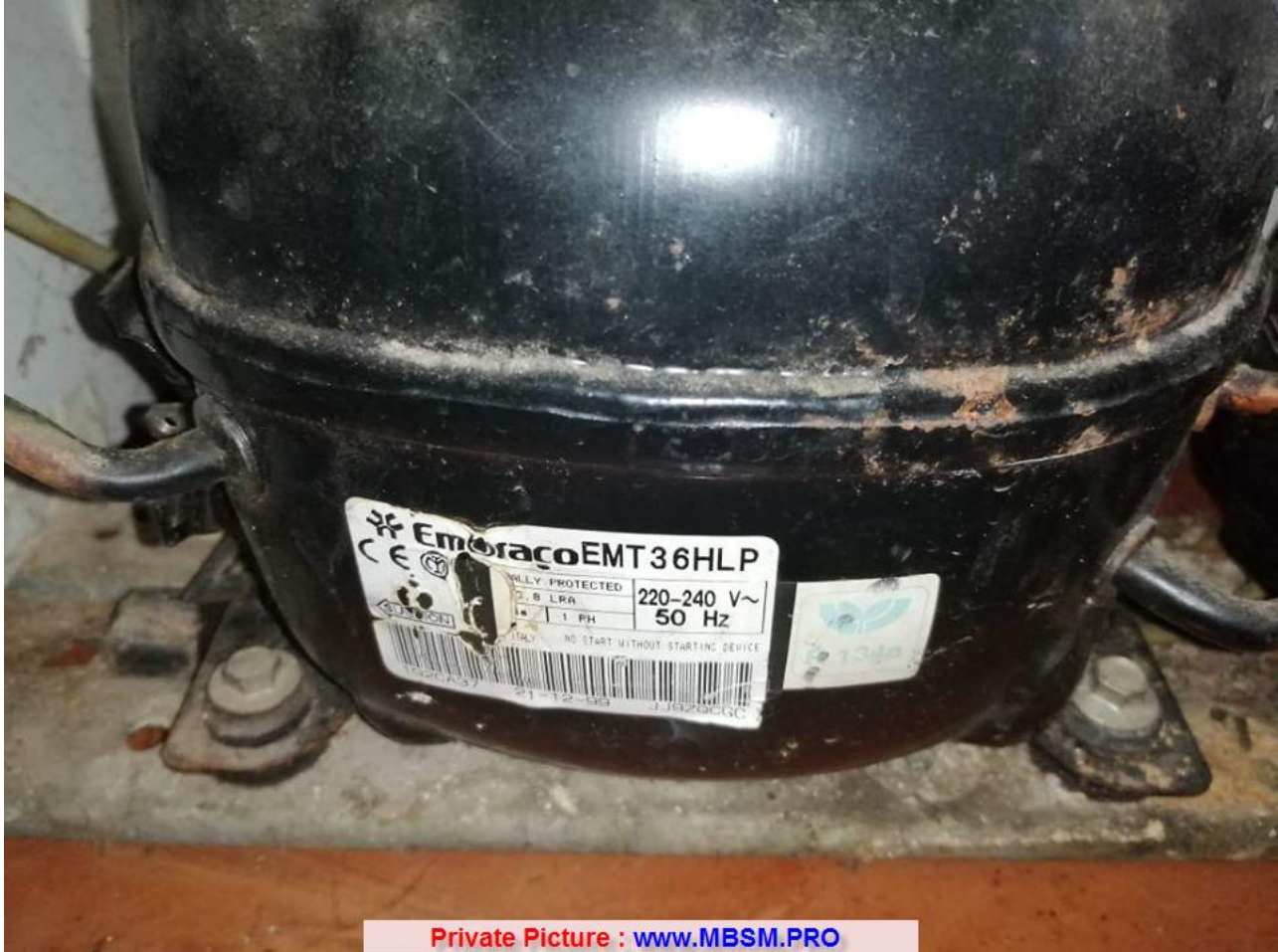


EMT36HLP , EMBRACO , ASPERA
, COMPRESSEUR FRIGORIFIQUE , 220/240V
50Hz , 1/10 HP, déplacement 3,97 ,
R134 , LBP

Category: Technologie, Tester ok
written by www.mbsm.pro | 11 May 2020




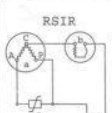
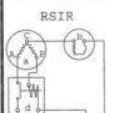
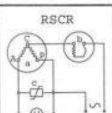
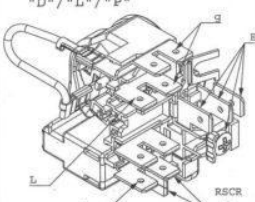
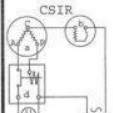
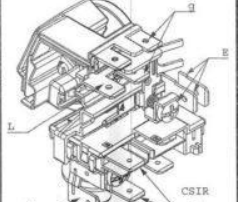
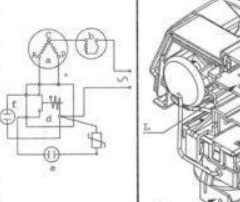
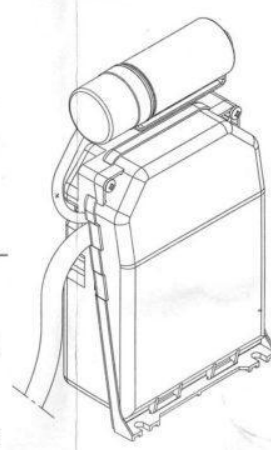
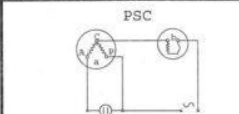
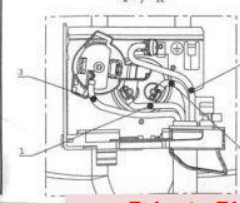
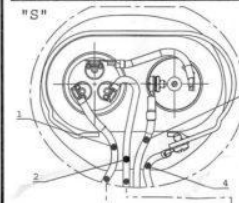
Private Picture : www.MBSM.PRO

EMT36HLP , EMBRACO , ASPERA , COMPRESSEUR FRIGORIFIQUE , 220/240V 50Hz , 1/10 HP,
déplacement 3,97 , R134 , LBP

Compressor , ACC Cubigel , Huayi
Electrolux , ZEM GL80AA / GUY75AA, LBP
– R134a, 220 – 240V/1/50Hz, 1/4 HP,
discharge 7.52 cm³, motor type RSIR /
RSCR, oil type ester, oil charge 180

cm³, 150 W at -25 / +55 °, input power, current 146 W, 1.16 A, expansion device: capillary, cooling: static, weight 8.6 kg

Category: Technologie, Tester ok
 written by www.mbsm.pro | 11 May 2020

		ORIGINAL INSTRUCTIONS MANUAL / MANUAL DE INSTRUCCIONES ORIGINAL / MANUALE D'ISTRUZIONI ORIGINALE / MANUAL D'INSTRUCTIONS ORIGINAL / ORIGINALES ANWEISUNGEN – HANDBUCH / Оригинальное руководство по эксплуатации / 原版操作規程		RANGE / GAMA / GAMMA / GAMME / BAUREIHE / ДИАПАЗОН / 系列 "D"/"L"/"P"/"S"/"X"	
RSIR 	RSIR / RSCR PTC "D"/"L"/"P"	RSIR 	RSIR / CSIR "D"/"L"/"P"/"X"	CSR "L"/"P"	RUSSIAN a-Компрессор 1-Белый b-Overload 2-Синий c-PTC 3-Черный d-Relay 4-Желтый e-Start capacitor f-Run capacitor g-Thermostat h-Start connection
RSCR 		CSIR 			ESPANOL a-Compresor 1-Blanco b-Protector 2-Azul c-PTC 3-Negro d-Relay 4-Amarillo e-Condens. arranque f-Condens. permanente g-Termomato h-Tejido
ITALIANO a-Compressore 1-Bianco b-Motoprotettore 2-Azzurro c-PTC 3-Nero d-Relay 4-Giallo e-Condens. avviamento f-Condens. permanente g-Termomato h-Tejido					
EXTERNAL CONNECTING BOX / CAJAS CONEXIONES / SCATOLE CONNESSIONI / BOÎTIER ELECTRIQUE / EXTERNE ELEKTRIKBOX / внешняя клемная коробка / 外置接线盒					
CSIR "S"	CSIR / CSR "S"			PSC 	РУССКАЯ a-Компрессор 1-Белый b-Protector 2-Синий c-PTC 3-Черный d-Relay 4-Желтый e-Condens. démarrage f-Condens. permanent g-Thermostat h-Tejido
CSR "P"/"S"/"X"	CSR "P"/"X"			"C" 	DEUTSCH a-Compressor 1-Weiß b-Überlastschutz 2-Blau c-PTC 3-Schwarz d-Relay 4-Gelb e-Anlaufkondensator f-Betriebskondensator g-Thermostat h-Erdleiterschleife
ЧИНСКИЙ a-компрессор 1-Белый b-перезагрузка 2-Синий c-PTC резистор 3-Черный d-реле 4-Желто-зеленый e-стартовый конденсатор f-рабочий конденсатор g-термостат h-плазмоземля					
中文 a-压缩机 1-白色 b-过载保护器 2-蓝色 c-启动器 3-黑色 d-继电器 4-黄绿色 e-启动电容 f-运行电容 g-温控器 h-接地					

Private Picture : www.MBSM.PRO

mult our web site: www.cubigel.com

02/2010 1164133

Compressor ,ACC Cubigel ,Huayi Electrolux ,ZEM GL80AA / GY75AA, LBP – R134a, 220 – 240V/1/50Hz, 1/5 HP, discharge 7.52 cm³, motor type RSIR / RSCR, oil type ester, oil charge 180 cm³, 150 W at -25 / +55 °, input power, current 146 W, 1.16 A, expansion device: capillary, cooling: static, weight 8.6 kg