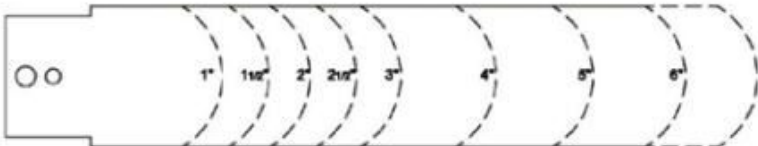


PDF , HVAC et Refrigeration Parts, Copper, Chemicals, Compressors, Controls, Coils, Fans & Motors, Electronics, Service Tools, Supplies

Category: Solutions,Technologie

written by www.mbsm.pro | 26 May 2020

Dimension of the paddle (Unit: inch)



Application:

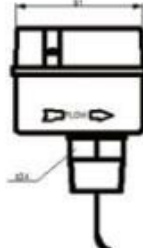
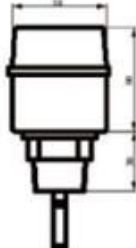
- FSF series flow switches are used in measuring and controlling the flow of the liquid in the pipe, such as water, alcohol, etc., as well as in the places where it needs chain effect or cutout protection.

FSF series flow switches have SPDT switch, full-sealing structure as its shell, and stainless steel as its inside components, which can assure its use in any conditions. FSF-A series flow switches are used for caustic fluid liquid, the materials of FSF-A in contact with the medium is stainless steel.

Feature:


- Ambient temperature: -20~50°C.
- Liquid temperature: -25~120°C.
- Max. liquid pressure: 1.5MPa.
- Approvals: DnV, Det norske Veritas(Norway), CQC(China)CE (Europe).

FSF50P-1(A)/FSF50P-2(A)/FSF50P-3(A)



FSF50P-1SN

Our Customers:



Private Picture Copyright : WWW.MBSM.PRO

PDF , HVAC et Refrigeration Parts, Copper, Chemicals, Compressors, Controls, Coils, Fans & Motors, Electronics, Service Tools, Supplies

QB77C16GPX5 ,RSIR, Reciprocating Compressors , R134a, LBP ,202 w ,1/4 Hp ,Q Series ,Reciprocating Fixed Speed ,Panasonic

Category: Technologie,Tester ok

written by www.mbsm.pro | 26 May 2020



Private Picture Copyright : WWW.MBSM.PRO

QB77C16GPX5 ,RSIR, Reciprocating Compressors , R134a, LBP ,202 w ,1/4 Hp ,R134a ,Q Series ,Reciprocating Fixed Speed

Compressor ,Embraco Aspera ,NJ2212GK,
LBP – R404A, R507, 220-240V/1/50Hz,
1.5 HP, 34.38 cm³, LRA 36.0 A, CSR,
lubricant charge 750ml POE 22, 1547 W
,at -23.3 / +54.4 °

Category: Technologie,Tester ok
written by www.mbsm.pro | 26 May 2020



Private Picture Copyright : WWW.MBSM.PRO

Compressor ,Embraco Aspera ,NJ2212GK, LBP – R404A, R507, 220-240V/1/50Hz, 1.5 HP, 34.38 cm³, LRA 36.0 A, CSR, lubricant charge 750ml POE 22, 1547 W ,at -23.3 / +54.4 °

**Danfoss Refrigeration, R134a, GL90TG
, 220-240V 50-60Hz, R134A ,HBP ,CSIR
, compressor Haute pression avec
condensateur**

Category: Technologie, Tester ok
written by www.mbsm.pro | 26 May 2020



REDMI NOTE 8
AI QUAD CAMERA

Private Picture : www.MBSM.PRO

Danfoss Refrigeration, R134a, GL90TG, 220-240V 50-60Hz, R134A, HBP, CSIR, compressor Haute pression avec condensateur

Danfoss ,Fridge Compressor ,NL7FT , 1/4 HP ,R134a

Category: Non classé,Technologie,Tester ok
written by www.mbsm.pro | 26 May 2020



PictureS Mbsm Dot Pro : www.mbsm.pro

Danfoss ,Fridge Compressor ,NL7FT , 1/4 HP ,R134a

QBH57C10GPX, 1/6HP ,RSIR, Reciprocating Fixed Speed, Compressors, R134a, LBP ,PANASONIC SMALL REFRIGERATOR

Category: Solutions,Tester ok
written by www.mbsm.pro | 26 May 2020



PictureS Mbsm Dot Pro : www.mbsm.pro

QBH57C10GPX, 1/6HP ,RSIR, Reciprocating Fixed Speed, Compressors, R134a, LBP
,PANASONIC SMALL REFRIGERATOR

**D110C24GAX5 , PANASONIC ,RSIR, Serie
D, Reciprocating ,Compressors , 298 w
, 1/3 HP , R134a ,220v 50Hz**

Category: Technologie,Tester ok
written by www.mbsm.pro | 26 May 2020

displacement cm3	W (cooling)	BTU/HR	K Cal/hr	HP	Model	number
5.1	135	461	116	1/6	D51C10RAW5	1
5.1	135	461	116	1/6	D51C90RAW5	2
5.7	141	481	121	1/6	D57C10RAW5	3
5.7	141	481	121	1/6	D57C13RAX5	4
6.6	160	546	138	1/5	D66C10RAW5	5
6.6	151	515	130	1/5	D66C10RAX5	6
7.7	186	635	160	1/5	D77C10RAW5	7
7.7	186	635	160	1/5	D77C10RAX5	8
9.1	227	774	195	1/4	D91C10RAW5	9
9.1	227	774	195	1/4	D91C10RAX5	10
11.0	298	1017	256	1/3	D51C21RAX5	11
11.0	298	1017	256	1/3	D110C21RAX5	12
11.0	298	1017	256	1/3	D110C21RBX5	13
11.0	298	1017	256	1/3	D110C24GAX5	14



Private Picture Copyright : WWW.MBSM.PRO

D110C24GAX5 , PANASONIC ,RSIR, Serie D, Reciprocating ,Compressors , 298 w , 1/3 HP , R134a ,220v 50Hz

Compresseurs Embraco, ,EMU70HLC , R134a, 220 V, 50Hz, 1/5 HP, 149 watts , 180 mL

Category: Technologie,Tester ok
written by www.mbsm.pro | 26 May 2020



PictureS Mbsm Dot Pro : www.mbsm.pro

Compresseurs Embraco, ,EMU70HLC , R134a, 220 V, 50Hz, 1/5 HP, 149 watts , 0.17 kW (0.2214 BHP) ,180 mL

Compressors , LG ,MA62LBJG ,1/5 HP, Gaz R134A

Category: Technologie,Tester ok
written by www.mbsm.pro | 26 May 2020



R 134a

RoHS



LG

MA62LBJG

1PH 220-240V 50Hz

THERMALLY PROTECTED
Made by LG Electronics



CM62705NL063027DL

Capillary	Ampair	Wattage	Codes	Hp Power
0.028	0.75	63	NS36LAEG	1\10
0.033	0.81	77	MSA43LBEG	1\8
0.033	1.12	116	MA53LAEG	1\6
0.033	1.12	142	MA57LBEG	1\6+
0.036	1.35	160	MA62LCEG	1\5
0.040	1.35	174	MA69LCEG	1\5+
0.040	1.4	200	MA72LCEG	1\4
0.042	1.6	210	MA88LCEG	1\3
0.042	1.6	279	MA98LAEM	1\3+

Private Picture Copyright : WWW.MBSM.PRO

LG air compressor for refrigerators MA62LAEP uses voltage 220V (220V mini air compressor), at 50Hz, 180W (174W)-cooling capacity using motor Lg kx62laeg refrigerator compressor

Capacité de refroidissement: 596 Btu (0,234 HP)

Source d'alimentation: 220V, 1Pha, 50Hz

Réfrigérant: Gaz R134A

Origine: Chine

Description du produit

Frozen Joint Stock Company est spécialisée dans la fourniture de compresseurs LG, la distribution de compresseurs LG et l'installation de compresseurs LG pour le stockage à froid, les réfrigérateurs, les armoires de stockage, les climatiseurs, les ensembles de compresseurs à condenseur, l'assurance qualité. Qualité et meilleur prix.

Le compresseur LG MA62LAEP est un mini compresseur à piston de **220 V** , conçu pour un fonctionnement compact et silencieux, avec le couple le plus élevé (HST) pour aider la machine à fonctionner efficacement et à réduire le bruit. Capacité de réfrigération de 0,15 HP, adaptée aux réfrigérateurs, armoires de stockage, chambre froide. **Le compresseur LG MA62LAEP** utilise du gaz réfrigérant R134A, fabriqué en Inde, avec des certificats CO et CQ complets pour l'assurance qualité.

Spécifications du **compresseur LG MA62LAEP**

Modèle		MA62LAEP
	HP	0,234
Capacité de refroidissement	W	174
	Btu / h	596
COP	w / w	1,3
EER	Btu / WH	4.44
Source d'alimentation		220V, 1Pha, 50Hz
Débit d'aspiration	cc	6.2
Le volume	Kg	9.2
Réfrigérant		Gaz R134

Fabriqué en

La Chine

Vous cherchez à acheter des **compresseurs LG MA62LAEP** , en plus des compresseurs, nous fournissons et distribuons également des produits, équipements et fournitures de réfrigération, y compris **des unités intérieures** , des unités extérieures industrielles, du gaz réfrigéré, des tuyaux en cuivre, de l'isolation isolation, leds de stockage à froid, stores de chambre froide et accessoires de porte de chambre froide, y compris charnières de porte de chambre froide, joints de porte de chambre froide, et composants de porte de chambre froide, salles blanches, etc.



R 134a

RoHS



LG

MA62LBJG

1PH 220-240V 50Hz

THERMALLY PROTECTED
Made by LG Electronics



CM62705NL063027DL



Private Picture Copyright : WWW.MBSM.PRO

Mbsm_dot_pro_private_PDF_MA62LBJG-Refrigerator_Compressor_151207Télécharger

MA69LAEG

R134a 1PH 220-240V 50Hz
 RoHS THERMALLY PROTECTED
 Made By LG Electronics
 69LAEG911007201EJ

MA 69 L A E G

Series name

MA
 MB
 MC
 MQ

Displacement
 Ex) 69 = 6.9cc/rev.

Application category
 L : R134a, LBP
 H : R134a, HBP
 N : R600a, LBP

Improvement order

A
 B
 C
 D
 E
 F
 H,K,J,M,N - AL-Wire

Motor type
 G : RSIR, PTC
 F : CSIR, PTC
 M : RSCR, PT
 H : CSR, PTC
 P : CSIR, RELAY

Rated voltage & Frequency

A : 110V 50/60Hz	P : 110V 50Hz
B : 220V 50/60Hz	Q : 110-115V 60Hz
C : 115V 60Hz	S : 200-220V 50Hz
D : 220V 60Hz	200V 60Hz
E : 220-240V 50Hz	T : 220-240V 50Hz
F : 127V 60Hz	220V 60Hz
J : 220V 50Hz	U : 110-127V 60Hz
K : 110V 60Hz	



Private Picture Copyright: WWW.MBSM.PRO

COMPRESOR ACC GL80AN R134 1/5, Cubigel Compressors LBP , Hermetic, Freezing, Tb/Cooling/hmbp

Category: Technologie, Tester ok
 written by www.mbsm.pro | 26 May 2020





PictureS Mbsm Dot Pro : www.mbsm.pro

Type: Hermetic piston compressors
Producer: ACC

Series: HMBP/tb

Model: GL80AN

General data

Refrigerant: R134a
Discharge element: C
Cooling: S
Maximum ambient temperature [°C]: 43

Compressor's data

Cylinder capacity [cm³]: 8,1
Displacement [m³/h]: 1,4
Weight [kg]: 10,6
Oil charge [cm³]: 445
Oil type: ISO VG 19 ESTER

Engine's data

Engine type: RSIR
Power [KM]: 1/5
Starting element: LST
Power supply: 220V 50Hz
Voltage range: 170-242
Locked rotor current [A]: 18
Running winding resistance (25°C) [Ω]: 5,81
Starting winding resistance (25°C) [Ω]: 11,01

Electrical data

Relays: 3003
Shielding element: MRP321LZ, T0683, AF11FI
Starting capacitor volume [μF]:

Connections

	milimeters	inches
Suction tube:	6,5	
Service tube:	6,5	
Discharge tube:	4,9	

GL80AN (1)Download