

# SC18G, 104G8820, Universal, Compressor, R134a, 220-240V 50/60Hz, DANFOSS, SECOP, R134a, HMBP, 1/2 Hp++, displacement 17.70 cc, CSIR, SC18G 104G8820

Category: compressor

written by [www.mbsm.pro](http://www.mbsm.pro) | 12 December 2021

Compresseur Danfoss SC18G - R134a

Cylindrée = 17.69 CM3

APPLICATIONS = HP; BP; MP

Moteur = CSIR

220-240V 50/60Hz



## Design

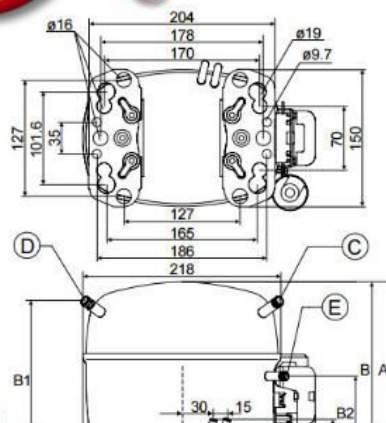
Displacement	cm <sup>3</sup>	17.69
Oil quantity	cm <sup>3</sup>	600 (550 on comp. with oil cooler)
Maximum refrigerant charge	g	1300
Free gas vol. in compressor	cm <sup>3</sup>	1460
Weight without electrical equipment	kg	13.7

## Motor

Motor size	watt	495
LRA (rated after 4 sec. UL984) HST	A	18.6
Cut-in current HST	A	18.6
Resistance, main and start winding (25°C)	Ω	3.7/14.1
Approvals	EN 60335-2-34, CCIB	

## Dimensions

104G8830 104G8820 104G8822



Private Picture Copyright: [WWW.MBSM.PRO](http://WWW.MBSM.PRO)

## Détails du produit

Poids brut 13.8 kg

Poids Net 13.8 kg

### Applications

Charge en fluide frigorigène [kg] [Max]

Charge en huile [L]

Code de configuration

Couleur

Courant d'appel HST [A]

Description

Diamètre de raccordement à l'aspiration [mm]

HBP

LBP

MBP

1.3 kg

600 L

Simple

Noir

18.6 A

SC18G

10.2 mm

Diamètre du raccord au refoulement [mm]	6.2 mm
Diamètre du raccordement du traitement [mm]	6.2 mm
Désignation du modèle	Compresseur
Emballage (format)	Emballage industriel
Faible valeur de plage de tension à 50 Hz [V]	187 V
Faible valeur de plage de tension à 60 Hz [V]	198 V
Faible valeur de tension nominale à 50 Hz [V]	208 V
Faible valeur de tension nominale à 60 Hz [V]	220 V
Fluides	R134a
Fréquence [Hz]	50/60
Hauteur de la base [mm]	213 mm
Hauteur du raccordement de refoulement [mm]	110 mm
Hauteur raccordement aspiration [mm]	193 mm
Hauteur totale [mm]	219 mm
LRA HST [A]	18.6 A
Matériel du raccord au process	Acier cuivré
Matériel du raccord d'aspiration	Acier cuivré
Matériel du raccord de refoulement	Acier cuivré
Niveau d'énergie de l'application	Compresseur universel
Nombre de phases (compresseur)	1
Nombre de phases (ventilateur)	1
Norme d'approbation	CE EN 60335-2-34 avec Annexe AA
Notes concernant le raccord de refoulement	Capuchon en aluminium
Notes concernant le raccordement au process	Capuchon en aluminium
Notes concernant le raccordement à l'aspiration	Capuchon en aluminium
N° de modèle	SC18G
N° de schéma	8258
Oil type	POE
Phase	1
Puissance frigorifique nominale 60 kBTU/h	6.06 kBtu/h
Puissance frigorifique nominale à 60 Hz	1.8 kW
Quantité d'huile [cm <sup>3</sup> ]	600 cm <sup>3</sup>
Quantité par emballage	80
raccord de refoulement équerre [°]	37 °
raccord d'aspiration équerre [°]	37 °
Raccordement de process équerre	37 °
Régulation de la puissance	Vitesse fixe
Résistance de l'enroulement auxiliaire (enroulement de démarrage) pour compresseurs monophasés [ohm]	14.1 Ohm
Résistance de l'enroulement principal pour compresseurs monophasés [Ohm]	3.7 Ohm
Technique de la marque	Compresseur à pistons
Technologie	Piston
Température d'enroulement max. continue [°C] [Max]	125 °C
Température de l'enroulement à court terme [°C] [Max]	135 °C
Tension 50 Hz [V]	220 V

Tension 50 Hz [V] [max.]	240 V
Tension 60 Hz [V]	220 V
Tension 60 Hz [V] [max.]	240 V
Type	SC
Type de moteur	CSIR
Type de socle	Universel
Utilisation de tronçon	Réfrigération LT Réfrigération MT
Valeur du condensateur A	10 $\mu$ F
Valeur du condensateur B	80 $\mu$ F
Valeur élevée de plage de tension à 50 Hz [V]	254 V
Valeur élevée de plage de tension à 60 Hz [V]	254 V
Valeur élevée de tension nominale à 50 Hz [V]	230 V
Valeur élevée de tension nominale à 60 Hz [V]	230 V
Vitesse de rotation à 50 Hz [rpm]	2900 rpm
Vitesse de rotation à 60 Hz [rpm]	3500 rpm
Volume balayé [cm <sup>3</sup> ]	17.69 cm <sup>3</sup>
Volume de gaz libre [cm <sup>3</sup> ]	1460 cm <sup>3</sup>
Économiseur	No

## Documents

Type de document	Country	Langue	Titre
	France	Français	
	Afrique du Sud	Anglais	
	Allemagne	Français	
	Australie Autriche	Allemand	
	Belarus Belgique	Anglais	
	Brazil Bulgarie	Arabe	
	Canada Chili Chine (continentale)	Bulgare	
	Colombie Corée du Sud	Chinois	
	Croatie	Coréen	
	Danemark	Croate	
	Emir.arab.unis	Danois	
	Espagne Estonia	Espagnol	
	Finlande Grande Bretagne	Estonien	
	Grèce	Finnois	Grec
	Hongrie Inde + Sikkim	Hindi	
	Indonésie	Hongrois	
	Ireland Islande	Hébreu	
	Israël Italie	Indonésien	
	Japon Kazakhstan	Islandais	
	Lettonie Lithuania	Italien	Titre
	Macedonia Malaisie	Japonais	
	Mexique N. Zélande	Kazakh	
	Norvège Pays-Bas	Letton	
	Philippines	Lituanien	
	Pologne Portugal	Norvégien	
	Roumanie Russian Federation	Néerlandais	
	Rép. tchèque Saudi Arabia	Polonais	
	Serbia	Portugais	
	Singapour	Roumain	
	Slovaquie Slovénie	Russe	Serbe
	Suisse Suède	Slovaque	
	Taiwan, Chine	Slovène	
	Thailand Tunisie	Suédois	
	Turquie Ukraine	Suèdois	
	USA Viêt Nam	Tchèque	Thaï
	Vénézuéla	Turc	
		Ukrainien	
		Vietnamien	
<b>Fiche technique</b>	France	Français	<b>220V Hermetic Compressors – R12 – R22 – R205</b> AI32443441788901-FR0101 1984 KB
<b>Fiche technique</b>	France	Français	<b>Listing Compresseur Secop</b> AI302136056984fr-FR0101 253 KB
<b>Guide d'installation</b>	France	Français	<b>Instructions SC Compressors (external Protector)</b> AN00008643706001-000401 124 KB
<b>Guide d'installation</b>	France	Français	<b>Instructions SC Twin Compressors</b> AN00008643707201-000101 183 KB

Type de document	Country	Langue	Titre
Fiche technique	France	Français	
Warranty	Afrique du Sud	Allemand	
Matériel promotionnel	Allemagne	Anglais	
Guide d'installation	Australie Autriche	Arabe	
EAC Declaration	Belarus Belgique	Bulgare	
Brochure	Brazil Bulgarie	Chinois	
Article UA	Canada Chili Chine (continentale)	Coréen	
Declaration	Colombie Corée du Sud	Croate	
Manuel d'utilisation	Danemark	Danois	
Electrical Safety Certificate	Emir.arab.unis	Espagnol	
	Espagne Estonia	Estonien	
	Finlande Grande Bretagne	Finnois Grec	
	Grèce	Hindi	
	Hongrie Inde + Sikkim	Hongrois Hébreu	
	Indonésie	Indonésien	
	Ireland Islande	Islandais	
	Israël Italie	Italien	
	Japon Kazakhstan	Japonais	
	Lettonie Lithuania	Kazakh	
	Macedonia Malaisie	Letton	
	Mexique N. Zélande	Lituanien	
	Norvège Pays-Bas	Norvégien	
	Philippines	Néerlandais	
	Pologne Portugal	Polonais	
	Roumanie Russian Federation	Portugais	
	Rép. tchèque Saudi Arabia	Roumain	
	Serbia	Russe Serbe	
	Singapour	Slovaque	
	Slovaquie Slovénie	Slovène	
	Suisse Suède	Suédois	
	Taiwan, Chine	Tchèque Thaï	
	Thailand Tunisie	Turc	
	Turquie Ukraine	Ukrainien	
	USA Viêt Nam	Vietnamien	
	Vénézuéla		

**Matériel promotionnel**

France

Français

**Refrigerant Circuit**

AV00008642183800-000402  
463 KB

Compresseur Danfoss SC18G - R134a

Cylindrée = 17.69 CM3

APPLICATIONS = HP; BP; MP

Moteur = CSIR

220-240V 50/60Hz



**Design**

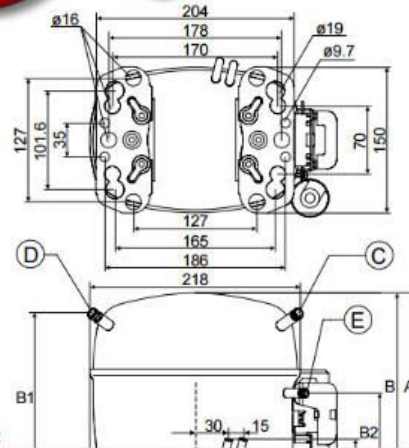
Displacement	cm <sup>3</sup>	17.69
Oil quantity	cm <sup>3</sup>	600 (550 on comp. with oil cooler)
Maximum refrigerant charge	g	1300
Free gas vol. in compressor	cm <sup>3</sup>	1460
Weight without electrical equipment	kg	13.7

**Motor**

Motor size	watt	495
LRA (rated after 4 sec. UL984) HST	A	18.6
Cut-in current HST	A	18.6
Resistance, main and start winding (25°C)	Ω	3.7/14.1
Approvals		EN 60335-2-34, CCIB

**Dimensions**

104G8830 104G8820 104G8822



Private Picture Copyright : WWW.MBSM.PRO

R134a	refrigerant	605076	رقم القطعة
HP 1/2	power	SC18G	type
cm <sup>3</sup> 17.7	cylinder capacity	W 495	power input
V 220-240	voltage	CSIR	motor system
W 844	power at -10°C	mm 219	height
W 1343	power at 0°C	W 1074	power at -5°C
W -	power at -30°C	W 1655	power at +5°C
W 485	power at -20°C	W 348	power at -25°C
W 2014	power at +10°C	W 649	power at -15°C
HMBP	application	ASHRAE	test method
kg 13.7	weight	Hz 50	frequency



Private Picture Copyright : WWW.MBSM.PRO

# Visuels

Mbsm\_dot\_pro\_private\_PDF\_SC18GTélécharger



Private Picture Copyright : [WWW.MBSM.PRO](http://WWW.MBSM.PRO)

Donper, Refrigeration, Compressr,  
r134A, freezer, LU140CY1, CT6220CE,  
AK120CY1, 1/3Hp-

Category: compressor

written by [www.mbsm.pro](http://www.mbsm.pro) | 12 December 2021



Private Picture Copyright : WWW.MBSM.PRO

### Product Description

Donper Refrigeration Compressor R134A

– Famous and Popular Compressors

– D series hermetic compressors for R134A mainly are designed for applications in water dispenser, small freezer. The main characteristics of D series are light weight, compact size, high reliability, low noise and low vibration.

– R134A S series hermetic compressor mainly are designed for applications in water dispenser, small refrigerator, small freezer. The main characteristics of S series are light weight and compact size, reliability, low noise and high low vibration. By the optimal design of the suspension system and the continuous curvature design of its housing, low operating vibration and sound levels have been achieved.

### R600a Series

Refrige- rant	Applica- tion	Model	Series	Power	Cooling	Motor Power type supply	Power capacity	Cooling W/W	COP
*ASHRAE -23.3	*CECOMAF	-25	*ASHRAE -23.3	*CECOMAF -25					
R600a	LBP	W40CY	IN	1/14	S	hatch 220/50	55	43	0.9 0.75
R600a	LBP	S53CY	S	1/10	S	hatch 220/50	75	57	1.2 0.95
R600a	LBP	S65CY	S	1/8	S	hatch 220/50	95	72	1.2 0.95
R600a	LBP	S75CY	S	1/7	S	hatch 220/50	118	86	1.2 0.95
R600a	LBP	SK53CY	S	1/10	S	RSCR 220/50	75	57	1.3 1.03

R600a	LBP	L76CY	L	1/6 S	hatch 220/50	132	100	1.36	1.07
R600a	LBP	L88CY	L	1/5 S	hatch 220/50	153	116	1.36	1.07
R600a	LBP	QD60AY	NOT	1/7 S	hatch 100/60	125	95	1.35	1.07
R600a	LBP	QD76Y	NOT	1/6 S	hatch 220/50	132	100	1.36	1.07
R600a	LBP	QD88Y	NOT	1/5 S	hatch 220/50	153	116	1.36	1.07
R600a	LBP	QD100Y	NOT	1/5 + S	hatch 220/50	170	129	1.38	1.09
R600a	LBP	QD123Y	NOT	1/4 S	hatch 220/50	187	142	1.38	1.09
R600a	LBP	LK88CY	L	1/5 + S	RSCR 220/50	160	122	1.58	1.25
R600a	LBP	QD100YG	NOT	1/4 + S	RSCR 220/50	180	137	1.58	1.25
R600a	LBP	QD135YG	NOT	1/4 + S	RSCR 220/50	215	163	1.58	1.23
R600a	LBP	QD153YG	NOT	1/4 + S	RSCR 220/50	246	184	1.58	1.23
R600a	LBP	LU68CY	L	1/7 S	RSCR 220/50	120	91	1.56	1.22
R600a	LBP	QD68YU	NOT	1/7 S	RSCR 220/50	120	91	1.56	1.22
R600a	LBP	QD76YU	NOT	1/6 S	RSCR 220/50	140	106	1.65	1.3
R600a	LBP	QD88YU	NOT	1/5 S	RSCR 220/50	160	122	1.68	1.33
R600a	LBP	QD100YU	NOT	1/4 S	RSCR 220/50	180	137	1.7	1.34
R600a	LBP	QD123YU	NOT	1/4 S	RSCR 220/50	196	150	1.68	1.3
R600a	LBP	QD135YU	NOT	1/4 + S	RSCR 220/50	220	168	1.68	1.3
R600a	LBP	QD153YU	NOT	1/4 + S	RSCR 220/50	248	189	1.65	1.28
R600a	LBP	QD68YZ	NOT	1/6 S	RSCR 220/50	120	91	1.8	1.42
R600a	LBP	QD76YZ	NOT	1/6 S	RSCR 220/50	140	106	1.8	1.42
R600a	LBP	QD88YZ	NOT	1/5 + S	RSCR 220/50	165	125	1.8	1.42
R600a	LBP	QD100YZ	NOT	1/4 + S	RSCR 220/50	185	141	1.8	1.42
R600a	LBP	QD135YZ	NOT	1 / 3- S	RSCR 220/50	220	168	1.8	1.42
R600a	LBP	QD60YT	NOT	1/8 S	ESCR 220/50	106	81	1.88	1.48
R600a	LBP	QD68YT	NOT	1/7 S	ESCR 220/50	126	96	1.9	1.5
R600a	LBP	QD76YT	NOT	1/6 S	ESCR 220/50	146	111	1.94	1.53
R600a	LBP	LU68PY	L	1/7 S	BLDC 220/50	120	91	1.65	1.3
R600a	LBP	LU68PY	L	1/5 S	BLDC 220/50	160	122	1.65	1.3

<b>Model no</b>	L140CY1	<b>Refrigerant</b>	R600a
<b>Cooling capacity</b>	230W	<b>Input power</b>	170W
<b>Hose Power</b>	1/3- HP	<b>Temperature application</b>	LBP
<b>Displacement</b>	14cm <sup>3</sup>	<b>Working Current</b>	1.3A
<b>Voltage</b>	220V~240V/50Hz	<b>COP</b>	1.35W/W
<b>Motor type</b>	RSIR	<b>Cylinder capacity</b>	14cm <sup>3</sup>
<b>Cooling type</b>	Need a fan motor	<b>Weight</b>	8.6±0.4kg



Private Picture Copyright : [WWW.MBSM.PRO](http://WWW.MBSM.PRO)

#### Quick Details

Condition:	New	Applicable Industries:	Hotels, Restaurant, Home Use, Food Shop, Food & Beverage...
Showroom Location:	None	Video outgoing-inspection:	Not Available
Machinery Test Report:	Not Available	Marketing Type:	Ordinary Product
Brand Name:	Dongbei/OEM	Place of Origin:	Hubei, China
Application:	Refrigeration Parts	Type:	Refrigeration Compressor
Product name:	R600a 1/3 hp Refrigeration Commercial Freezer Compressor	Warranty:	1 year
Voltage:	220V~240V/50HZ	Refrigerant:	R600a
Cooling capacity:	230W	Horse Power:	1/3
Cylinder capacity:	14 Cubic Centimetre	Input power:	170W
Motor Type:	RSIR	Working current:	1.3A
After Warranty Service:	Online support	Weight:	8.6±0.4kg
Certification:	CCC/VDE	Local Service Location:	None
		After-sales Service Provided:	Online support



Private Picture Copyright : [WWW.MBSM.PRO](http://WWW.MBSM.PRO)

COOLING CAPACITY	230W
REFRIGERANTS	R600a
INPUT POWER	170W
HORSE POWER	1/3-
DISPLACEMENT	14cm <sup>3</sup>



Model no	L140CY1	Refrigerant	R600a
Cooling capacity	230W	Input power	170W
Hose Power	1/3- HP	Temperature application	LBP
Displacement	14cm <sup>3</sup>	Working Current	1.3A
Voltage	220V~240V/50Hz	COP	1.35W/W
Motor type	RSIR	Cylinder capacity	14cm <sup>3</sup>
Cooling type	Need a fan motor	Weight	8.6±0.4kg

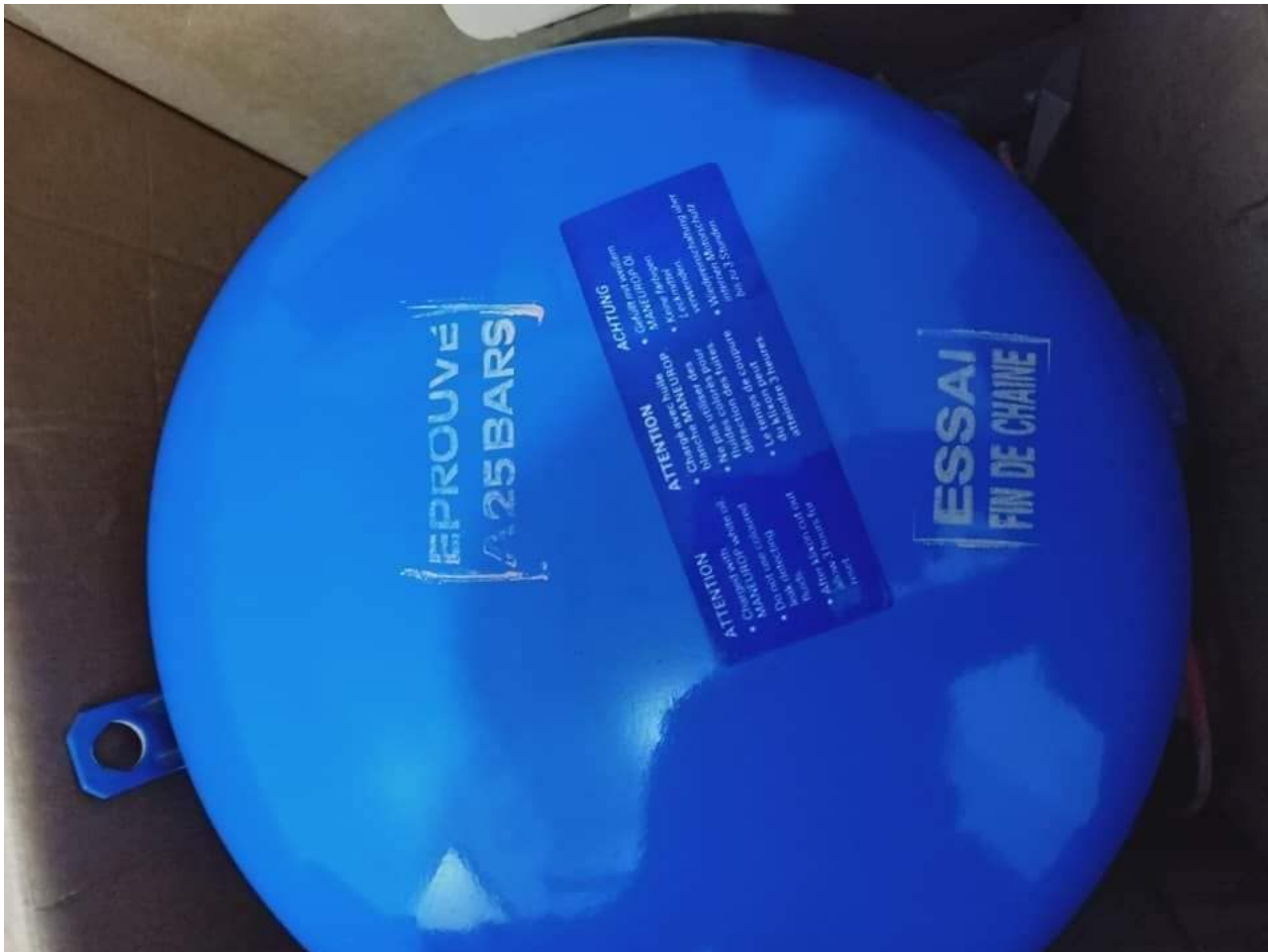
Private Picture Copyright : [WWW.MBSM.PRO](http://WWW.MBSM.PRO)

PDF

Compressor, hermetic, medium temperature, 7 HP, r22, POE, MT80HP4, MT80 HP4, 400/3/50, 460/3/60 volt, 1-3/4" RL – 1-1/8" x 1-1/4" RL – 3/4"

Category: compressor

written by [www.mbsm.pro](http://www.mbsm.pro) | 12 December 2021



Private Picture Copyright : [WWW.MBSM.PRO](http://WWW.MBSM.PRO)

## Product details

Gross weight 41.58 kg

Net weight 39.1 kg

EAN 5702428839525

Approval standard	CE UL
Brand technique	Reciprocating compressor
Capacity control	Fixed speed
Colour	Blue
Compressor power supply [V/Ph/Hz]	400/3/50 460/3/60
Configuration code	Single
Connection type	Rotolock
Cylinder	2
Description	MT080-4
Diameter [mm]	288 mm
Discharge connection height [mm]	74 mm
Discharge connection mounting torque [Nm]	90 Nm
Discharge connection pipe size [in]	3/4 in

Discharge connection rotolock size [in]	1 1/4 in
Discharge connection size [in]	1 1/4 in
Discharge connection sleeve pipe size [in]	3/4 in
Drawing number	8502012g
Economizer	No
Factory HP [bar]	25 bar
Factory LP [bar]	25 bar
Fitting remark	(shipped with rotolock version only)
Fitting sleeve	ODF
Fitting standard	Rotolock
Frequency [Hz]	50/60
Gauge port HP	None
Gauge port LP	Schrader
Generation code	B
Glass mounting	Threaded
Glass torque [Nm]	50 Nm
GP LP torque [Nm]	15 Nm
High side max pressure (Ps)	27.8 bar
High Side TS Max	150 °C
High Side TS Min	-35 °C
High Side Volume	0.6 L
High value of nominal voltage at 50Hz [V]	400 V
High value of nominal voltage at 60Hz [V]	460 V
High value of voltage range at 50Hz [V]	460 V
High value of voltage range at 60Hz [V]	506 V
IP protection class	IP55 (with cable gland)
Low side max pressure (Ps)	18.4 bar
Low Side TS Max	50 °C
Low Side TS Min	-35 °C
Low Side Volume	16.5 L
Low value of nominal voltage at 50Hz [V]	380 V
Low value of nominal voltage at 60Hz [V]	460 V
Low value of voltage range at 50Hz [V]	340 V
Low value of voltage range at 60Hz [V]	414 V
LRA	80 A
MCC	18 A
Model number	MT80HP4AVE
Motor protection	Internal overload protector
Mounting torque [Nm]	15 Nm
Nominal cooling capacity 60 kBTU/h	80.2 kBTU/h
Nominal cooling capacity at 50Hz	17.8 kW
Nominal cooling capacity at 60Hz	23.5 kW
Number of starts per hour [Max]	12
Oil charge [L]	1.8 L
Oil equalization	3/8" flare SAE
Oil equalization torque [Nm]	30 Nm

Oil reference	160P
Packaging height [mm]	455 mm
Packaging length [mm]	395 mm
Packaging weight [Kg]	44 kg
Packaging width [mm]	365 mm
Packing format	Single pack
Packing quantity	1
Phase	3
Power connections	Spade
Refrigerant	R22
Refrigerant charge [kg] [Max]	5 kg
Relief valve	30 bar/8 bar
Rotational speed at 50Hz [rpm]	2900 rpm
Rotational speed at 60Hz [rpm]	3500 rpm
Segment usage	Air conditioning Refrigeration MT
Shipped fittings	Suction and discharge solder sleeves, rotolock nuts and gaskets
Shipped instructions	Installation instructions
Shipped mounting	Mounting kit with grommets, bolts, nuts, sleeves and washers
Shipped oil	Initial oil charge
Suction connection height [mm]	265 mm
Suction connection mounting torque [Nm]	110 Nm
Suction connection pipe size [in]	1 1/8 in
Suction connection rotolock size [in]	1 3/4 in
Suction connection size [in]	1 3/4 in
Suction connection sleeve pipe size [in]	1 1/8 in
Swept volume [cm <sup>3</sup> ]	135.78 cm <sup>3</sup>
Technology	Reciprocating
Test dif [bar] [Max]	30 bar
Test HP [bar] [Max]	30 bar
Test LP [bar] [Max]	25 bar
Torque earth [Nm]	3 Nm
Torque power [Nm]	3 Nm
Total height [mm]	413 mm
Type	MT
Type designation	Compressor
Viscosity [cP]	32 cP
Winding resistance for three-phase compressors with identical windings [Ohm]	1.94 Ohm
Description	

# Product details

Gross weight 44.5 kg

Net weight 42 kg

EAN 5702428839525

Gross weight 44.5 kg

Net weight 42 kg

EAN 5702428839525

Approval standard	CE UL
Brand technique	Reciprocating compressor
Capacity control	Fixed speed
Colour	Blue
Compressor power supply [V/Ph/Hz]	400/3/50 460/3/60
Configuration code	Single
Connection type	Rotolock
Cylinder	2
Description	MT080-4
Diameter [mm]	288 mm
Discharge connection height [mm]	74 mm
Discharge connection mounting torque [Nm]	90 N-m
Discharge connection pipe size [in]	3/4 in
Discharge connection rotolock size [in]	1 1/4 in
Discharge connection size [in]	1 1/4 in
Discharge connection sleeve pipe size [in]	3/4 in
Drawing number	8502012g
Economizer	No
Factory HP [bar]	25 bar
Factory LP [bar]	25 bar
Fitting remark	(shipped with rotolock version only)
Fitting sleeve	ODF
Fitting standard	Rotolock
Frequency [Hz]	50/60
Gauge port HP	None
Gauge port LP	Schrader
Generation code	B
Glass mounting	Threaded
Glass torque [Nm]	50 N-m
GP LP torque [Nm]	15 N-m
High side max pressure (Ps)	27.8 bar
High Side TS Max	150 Â°C
High Side TS Min	-35 Â°C

High Side Volume	0.6 L
High value of nominal voltage at 50Hz [V]	400 V
High value of nominal voltage at 60Hz [V]	460 V
High value of voltage range at 50Hz [V]	460 V
High value of voltage range at 60Hz [V]	506 V
IP protection class	IP55 (with cable gland)
Low side max pressure (Ps)	18.4 bar
Low Side TS Max	50 Â°C
Low Side TS Min	-35 Â°C
Low Side Volume	16.5 L
Low value of nominal voltage at 50Hz [V]	380 V
Low value of nominal voltage at 60Hz [V]	460 V
Low value of voltage range at 50Hz [V]	340 V
Low value of voltage range at 60Hz [V]	414 V
LRA	80 A
MCC	18.5 A
Model number	MT80HP4AVE
Motor protection	Internal overload protector
Mounting torque [Nm]	15 N-m
Nominal cooling capacity 60 kBTU/h	80.2 kBtu/h
Nominal cooling capacity at 50Hz	17.8 kW
Nominal cooling capacity at 60Hz	23.5 kW
Number of starts per hour [Max]	12
Oil charge [L]	1.8 L
Oil equalization	3/8" flare SAE
Oil equalization torque [Nm]	30 N-m
Oil reference	160P
Packaging height [mm]	455 mm
Packaging length [mm]	395 mm
Packaging weight [Kg]	44 kg
Packaging width [mm]	365 mm
Packing format	Single pack
Packing quantity	1
Phase	3
Power connections	Spade
Refrigerant	R22
Refrigerant charge [kg] [Max]	5 kg
Relief valve	30 bar/8 bar
Rotational speed at 50Hz [rpm]	2900 rpm
Rotational speed at 60Hz [rpm]	3500 rpm
Segment usage	Air conditioning Refrigeration MT
Shipped fittings	Suction and discharge solder sleeves, rotolock nuts and gaskets
Shipped instructions	Installation instructions

Shipped mounting	Mounting kit with grommets, bolts, nuts, sleeves and washers
Shipped oil	Initial oil charge
Suction connection height [mm]	265 mm
Suction connection mounting torque [Nm]	110 N-m
Suction connection pipe size [in]	1 1/8 in
Suction connection rotolock size [in]	1 3/4 in
Suction connection size [in]	1 3/4 in
Suction connection sleeve pipe size [in]	1 1/8 in
Swept volume [cm <sup>3</sup> ]	135.78 cm <sup>3</sup>
Technology	Reciprocating
Test dif [bar] [Max]	30 bar
Test HP [bar] [Max]	30 bar
Test LP [bar] [Max]	25 bar
Torque earth [Nm]	3 N-m
Torque power [Nm]	3 N-m
Total height [mm]	413 mm
Type	MT
Type designation	Compressor
Viscosity [cP]	32 cP
Winding resistance for three-phase compressors with identical windings [Ohm]	1.94 Ohm
Approval standard	CE UL
Brand technique	Reciprocating compressor
Capacity control	Fixed speed
Colour	Blue
Compressor power supply [V/Ph/Hz]	400/3/50 460/3/60
Configuration code	Single
Connection type	Rotolock
Cylinder	2
Description	MT080-4
Diameter [mm]	288 mm
Discharge connection height [mm]	74 mm
Discharge connection mounting torque [Nm]	90 N-m
Discharge connection pipe size [in]	3/4 in
Discharge connection rotolock size [in]	1 1/4 in
Discharge connection size [in]	1 1/4 in
Discharge connection sleeve pipe size [in]	3/4 in
Drawing number	8502012g
Economizer	No
Factory HP [bar]	25 bar
Factory LP [bar]	25 bar
Fitting remark	(shipped with rotolock version only)
Fitting sleeve	ODF

Fitting standard	Rotolock
Frequency [Hz]	50/60
Gauge port HP	None
Gauge port LP	Schrader
Generation code	B
Glass mounting	Threaded
Glass torque [Nm]	50 N-m
GP LP torque [Nm]	15 N-m
High side max pressure (Ps)	27.8 bar
High Side TS Max	150 Â°C
High Side TS Min	-35 Â°C
High Side Volume	0.6 L
High value of nominal voltage at 50Hz [V]	400 V
High value of nominal voltage at 60Hz [V]	460 V
High value of voltage range at 50Hz [V]	460 V
High value of voltage range at 60Hz [V]	506 V
IP protection class	IP55 (with cable gland)
Low side max pressure (Ps)	18.4 bar
Low Side TS Max	50 Â°C
Low Side TS Min	-35 Â°C
Low Side Volume	16.5 L
Low value of nominal voltage at 50Hz [V]	380 V
Low value of nominal voltage at 60Hz [V]	460 V
Low value of voltage range at 50Hz [V]	340 V
Low value of voltage range at 60Hz [V]	414 V
LRA	80 A
MCC	18.5 A
Model number	MT80HP4AVE
Motor protection	Internal overload protector
Mounting torque [Nm]	15 N-m
Nominal cooling capacity 60 kBTU/h	80.2 kBtu/h
Nominal cooling capacity at 50Hz	17.8 kW
Nominal cooling capacity at 60Hz	23.5 kW
Number of starts per hour [Max]	12
Oil charge [L]	1.8 L
Oil equalization	3/8" flare SAE
Oil equalization torque [Nm]	30 N-m
Oil reference	160P
Packaging height [mm]	455 mm
Packaging length [mm]	395 mm
Packaging weight [Kg]	44 kg
Packaging width [mm]	365 mm
Packing format	Single pack
Packing quantity	1
Phase	3
Power connections	Spade

Refrigerant	R22
Refrigerant charge [kg] [Max]	5 kg
Relief valve	30 bar/8 bar
Rotational speed at 50Hz [rpm]	2900 rpm
Rotational speed at 60Hz [rpm]	3500 rpm
Segment usage	Air conditioning Refrigeration MT
Shipped fittings	Suction and discharge solder sleeves, rotolock nuts and gaskets
Shipped instructions	Installation instructions
Shipped mounting	Mounting kit with grommets, bolts, nuts, sleeves and washers
Shipped oil	Initial oil charge
Suction connection height [mm]	265 mm
Suction connection mounting torque [Nm]	110 N-m
Suction connection pipe size [in]	1 1/8 in
Suction connection rotolock size [in]	1 3/4 in
Suction connection size [in]	1 3/4 in
Suction connection sleeve pipe size [in]	1 1/8 in
Swept volume [cm <sup>3</sup> ]	135.78 cm <sup>3</sup>
Technology	Reciprocating
Test dif [bar] [Max]	30 bar
Test HP [bar] [Max]	30 bar
Test LP [bar] [Max]	25 bar
Torque earth [Nm]	3 N-m
Torque power [Nm]	3 N-m
Total height [mm]	413 mm
Type	MT
Type designation	Compressor
Viscosity [cP]	32 cP
Winding resistance for three-phase compressors with identical windings [Ohm]	1.94 Ohm
Refrigerant: R22, Segment usage: Air conditioning;Refrigeration MT, Compressor power supply [V/Ph/Hz]: 400/3/50 460/3/60	

## Product details

Gross weight	44.5 kg
Net weight	42 kg
EAN	5702428839525
Gross weight	44.5 kg
Net weight	42 kg
EAN	5702428839525

Approval standard	CE UL
Brand technique	Reciprocating compressor
Capacity control	Fixed speed
Colour	Blue
Compressor power supply [V/Ph/Hz]	400/3/50 460/3/60
Configuration code	Single
Connection type	Rotolock
Cylinder	2
Description	MT080-4
Diameter [mm]	288 mm
Discharge connection height [mm]	74 mm
Discharge connection mounting torque [Nm]	90 N-m
Discharge connection pipe size [in]	3/4 in
Discharge connection rotolock size [in]	1 1/4 in
Discharge connection size [in]	1 1/4 in
Discharge connection sleeve pipe size [in]	3/4 in
Drawing number	8502012g
Economizer	No
Factory HP [bar]	25 bar
Factory LP [bar]	25 bar
Fitting remark	(shipped with rotolock version only)
Fitting sleeve	ODF
Fitting standard	Rotolock
Frequency [Hz]	50/60
Gauge port HP	None
Gauge port LP	Schrader
Generation code	B
Glass mounting	Threaded
Glass torque [Nm]	50 N-m
GP LP torque [Nm]	15 N-m
High side max pressure (Ps)	27.8 bar
High Side TS Max	150 Â°C
High Side TS Min	-35 Â°C
High Side Volume	0.6 L
High value of nominal voltage at 50Hz [V]	400 V
High value of nominal voltage at 60Hz [V]	460 V
High value of voltage range at 50Hz [V]	460 V
High value of voltage range at 60Hz [V]	506 V
IP protection class	IP55 (with cable gland)
Low side max pressure (Ps)	18.4 bar
Low Side TS Max	50 Â°C
Low Side TS Min	-35 Â°C
Low Side Volume	16.5 L

Low value of nominal voltage at 50Hz [V]	380 V
Low value of nominal voltage at 60Hz [V]	460 V
Low value of voltage range at 50Hz [V]	340 V
Low value of voltage range at 60Hz [V]	414 V
LRA	80 A
MCC	18.5 A
Model number	MT80HP4AVE
Motor protection	Internal overload protector
Mounting torque [Nm]	15 N-m
Nominal cooling capacity 60 kBTU/h	80.2 kBtu/h
Nominal cooling capacity at 50Hz	17.8 kW
Nominal cooling capacity at 60Hz	23.5 kW
Number of starts per hour [Max]	12
Oil charge [L]	1.8 L
Oil equalization	3/8" flare SAE
Oil equalization torque [Nm]	30 N-m
Oil reference	160P
Packaging height [mm]	455 mm
Packaging length [mm]	395 mm
Packaging weight [Kg]	44 kg
Packaging width [mm]	365 mm
Packing format	Single pack
Packing quantity	1
Phase	3
Power connections	Spade
Refrigerant	R22
Refrigerant charge [kg] [Max]	5 kg
Relief valve	30 bar/8 bar
Rotational speed at 50Hz [rpm]	2900 rpm
Rotational speed at 60Hz [rpm]	3500 rpm
Segment usage	Air conditioning Refrigeration MT
Shipped fittings	Suction and discharge solder sleeves, rotolock nuts and gaskets
Shipped instructions	Installation instructions
Shipped mounting	Mounting kit with grommets, bolts, nuts, sleeves and washers
Shipped oil	Initial oil charge
Suction connection height [mm]	265 mm
Suction connection mounting torque [Nm]	110 N-m
Suction connection pipe size [in]	1 1/8 in
Suction connection rotolock size [in]	1 3/4 in
Suction connection size [in]	1 3/4 in
Suction connection sleeve pipe size [in]	1 1/8 in
Swept volume [cm3]	135.78 cm3

Technology	Reciprocating
Test dif [bar] [Max]	30 bar
Test HP [bar] [Max]	30 bar
Test LP [bar] [Max]	25 bar
Torque earth [Nm]	3 N-m
Torque power [Nm]	3 N-m
Total height [mm]	413 mm
Type	MT
Type designation	Compressor
Viscosity [cP]	32 cP
Winding resistance for three-phase compressors with identical windings [Ohm]	1.94 Ohm
Approval standard	CE UL
Brand technique	Reciprocating compressor
Capacity control	Fixed speed
Colour	Blue
Compressor power supply [V/Ph/Hz]	400/3/50 460/3/60
Configuration code	Single
Connection type	Rotolock
Cylinder	2
Description	MT080-4
Diameter [mm]	288 mm
Discharge connection height [mm]	74 mm
Discharge connection mounting torque [Nm]	90 N-m
Discharge connection pipe size [in]	3/4 in
Discharge connection rotolock size [in]	1 1/4 in
Discharge connection size [in]	1 1/4 in
Discharge connection sleeve pipe size [in]	3/4 in
Drawing number	8502012g
Economizer	No
Factory HP [bar]	25 bar
Factory LP [bar]	25 bar
Fitting remark	(shipped with rotolock version only)
Fitting sleeve	ODF
Fitting standard	Rotolock
Frequency [Hz]	50/60
Gauge port HP	None
Gauge port LP	Schrader
Generation code	B
Glass mounting	Threaded
Glass torque [Nm]	50 N-m
GP LP torque [Nm]	15 N-m
High side max pressure (Ps)	27.8 bar
High Side TS Max	150 Â°C

High Side TS Min	-35 Â°C
High Side Volume	0.6 L
High value of nominal voltage at 50Hz [V]	400 V
High value of nominal voltage at 60Hz [V]	460 V
High value of voltage range at 50Hz [V]	460 V
High value of voltage range at 60Hz [V]	506 V
IP protection class	IP55 (with cable gland)
Low side max pressure (Ps)	18.4 bar
Low Side TS Max	50 Â°C
Low Side TS Min	-35 Â°C
Low Side Volume	16.5 L
Low value of nominal voltage at 50Hz [V]	380 V
Low value of nominal voltage at 60Hz [V]	460 V
Low value of voltage range at 50Hz [V]	340 V
Low value of voltage range at 60Hz [V]	414 V
LRA	80 A
MCC	18.5 A
Model number	MT80HP4AVE
Motor protection	Internal overload protector
Mounting torque [Nm]	15 N-m
Nominal cooling capacity 60 kBTU/h	80.2 kBtu/h
Nominal cooling capacity at 50Hz	17.8 kW
Nominal cooling capacity at 60Hz	23.5 kW
Number of starts per hour [Max]	12
Oil charge [L]	1.8 L
Oil equalization	3/8" flare SAE
Oil equalization torque [Nm]	30 N-m
Oil reference	160P
Packaging height [mm]	455 mm
Packaging length [mm]	395 mm
Packaging weight [Kg]	44 kg
Packaging width [mm]	365 mm
Packing format	Single pack
Packing quantity	1
Phase	3
Power connections	Spade
Refrigerant	R22
Refrigerant charge [kg] [Max]	5 kg
Relief valve	30 bar/8 bar
Rotational speed at 50Hz [rpm]	2900 rpm
Rotational speed at 60Hz [rpm]	3500 rpm
Segment usage	Air conditioning Refrigeration MT
Shipped fittings	Suction and discharge solder sleeves, rotolock nuts and gaskets

<b>Shipped instructions</b>	Installation instructions
<b>Shipped mounting</b>	Mounting kit with grommets, bolts, nuts, sleeves and washers
<b>Shipped oil</b>	Initial oil charge
<b>Suction connection height [mm]</b>	265 mm
<b>Suction connection mounting torque [Nm]</b>	110 N-m
<b>Suction connection pipe size [in]</b>	1 1/8 in
<b>Suction connection rotolock size [in]</b>	1 3/4 in
<b>Suction connection size [in]</b>	1 3/4 in
<b>Suction connection sleeve pipe size [in]</b>	1 1/8 in
<b>Swept volume [cm<sup>3</sup>]</b>	135.78 cm <sup>3</sup>
<b>Technology</b>	Reciprocating
<b>Test dif [bar] [Max]</b>	30 bar
<b>Test HP [bar] [Max]</b>	30 bar
<b>Test LP [bar] [Max]</b>	25 bar
<b>Torque earth [Nm]</b>	3 N-m
<b>Torque power [Nm]</b>	3 N-m
<b>Total height [mm]</b>	413 mm
<b>Type</b>	MT
<b>Type designation</b>	Compressor
<b>Viscosity [cP]</b>	32 cP
<b>Winding resistance for three-phase compressors with identical windings [Ohm]</b>	1.94 Ohm







Private Picture Copyright : WWW.MBSM.PRO

[Mbsm\\_dot\\_pro\\_private\\_PDF\\_MTZ80HP4-1Télécharger](#)

[Mbsm\\_dot\\_pro\\_private\\_PDF\\_MTZ80HP4Télécharger](#)

Compresseur à piston Danfoss Maneurop MT22JC5PVE (2.0HP / 1PH) Compresseur à piston Danfoss Maneurop MT22JC4AVE (2.0HP / 3PH) Compresseur à piston Danfoss Maneurop MT28JC5PVE (2.3HP / 1PH) Compresseur à piston Danfoss Maneurop MT22JC4AVE (2.0HP / 3PH) Compresseur à piston Danfoss Maneurop MT28JC5PVE (2.3HP / 1PH) Compresseur à piston Danfoss Maneurop 3PH (2.3HP / 1PH) 2.6HP / 1PH) Compresseur à piston Danfoss Maneurop MT32JF4DVE (2.6HP / 3PH); Compresseur à piston Danfoss Maneurop MT36JG5CVE (3.0HP / 1PH) Compresseur à piston Danfoss Maneurop MT36JG4FVE (3.0HP / 3PH) Compresseur à piston Danfoss Maneurop MT40JH4EVE (3.3HP / 3PH) Danfoss Maneurop Compresseur à piston MT36JG4FVE (3.0HP / 3PH) Compresseur à piston Danfoss Maneurop MT40JH4EVE (3.3HP / 3PH) Danfoss Maneurop Compresseur à piston MT36JG4FVE (3.0HP / 3PH) Compresseur à piston Danfoss Maneurop MT40JH4EVE (3.3HP / 3PH) Compresseur à piston Danfoss Maneurop 3KFHB4 (3.6HP / 3PH) 4.0HP / 3PH) Compresseur à piston Danfoss Maneurop MT56HL4BVE (4.6HP / 3PH) Compresseur à piston Danfoss Maneurop MT64HM4DVE (5.3HP / 3PH) Compresseur à piston Danfoss Maneurop MT72HN4AVE (6.0HP / 3PH) Compresseur à piston Danfoss Maneurop MT80HP4AVE (6.6HP / 3PH) Compresseur à piston Danfoss Maneurop MT72HN4AVE (6.0HP / 3PH) Compresseur à piston Danfoss Maneurop MT80HP4AVE (6.6HP / 3PH) Compresseur à piston Danfoss Maneurop 4.0 Compresseur à piston MT144HV4AVE (12,0HP / 3PH) Compresseur à piston Danfoss Maneurop MT160HW4EVE (13.3HP / 3PH) Compresseur à piston Danfoss Maneurop MTZ22JC5VE (2.0HP / 1PH); [R134A, R404] Compresseur à piston Danfoss Maneurop MTZ22JC4AVE

(2.0HP / 3PH); [R134A, R404] Compresseur à piston Danfoss Maneurop MTZ28JE5AVE  
(2,3 HP / 1PH); [R134A, R404] Compresseur à piston Danfoss Maneurop MTZ28JE4AVE  
(2,3 HP / 3PH); [R134A, R404] Compresseur à piston Danfoss Maneurop MTZ32JF5AVE  
(2,6 CV / 1PH); [R134A, R404] Compresseur à piston Danfoss Maneurop MTZ32JF4BVE  
(2.6HP / 3PH); [R134A, R404] Compresseur à piston Danfoss Maneurop MTZ36JG5AVE  
(3.0HP / 1PH); [R134A, R404] Compresseur à piston Danfoss Maneurop MTZ36JG4BVE  
(3.0HP / 3PH); [R134A, R404] Compresseur à piston Danfoss Maneurop MTZ40JH4AVE  
(3,3 CV / 3PH); [R134A, R404] Compresseur à piston Danfoss Maneurop MTZ50HK4CVE  
(4,0 CV / 3PH); [R134A, R404] Compresseur à piston Danfoss Maneurop MTZ56HL4BVE  
(4,6 CV / 3PH); [R134A, R404] Compresseur à piston Danfoss Maneurop MTZ64HM4CVE  
(5,3 HP / 3PH); [R134A, R404] Compresseur à piston Danfoss Maneurop MTZ72HN4AVE  
(6,0 CV / 3PH); [R134A, R404] Compresseur à piston Danfoss Maneurop MTZ80HP4AVE  
(6,6 CV / 3PH); [R134A, R404] Compresseur à piston Danfoss Maneurop MTZ100HS4VE  
(8,3 CV / 3 PH); [R134A, R404] Compresseur à piston Danfoss Maneurop MTZ125HU4VE  
(10.0HP / 3PH); [R134A, R404] Compresseur à piston Danfoss Maneurop MTZ144HV4AVE  
(12,0 HP / 3PH); [R134A, R404] Compresseur à piston Danfoss Maneurop  
MTZ160HE4AVE (13,3 HP / 3PH); [R134A, R404] Compresseur à piston Danfoss  
Maneurop NTZ048A4LR1A (2.0HP / 3PH); [R134A, R404, R507] Compresseur à piston  
Danfoss Maneurop NTZ068A4LR1A (3,5 CV / 3PH); [R134A, R404, R507] Compresseur à  
piston Danfoss Maneurop NTZ096A4LR1A (4,5 CV / 3PH); [R134A, R404, R507]  
Compresseur à piston Danfoss Maneurop NTZ108A4LR1A (5,0 CV / 3PH); [R134A, R404,  
R507] Compresseur à piston Danfoss Maneurop NTZ136A4LR1A (6,5 CV / 3PH); [R134A,  
R404, R507] Compresseur à piston Danfoss Maneurop NTZ215A4LR1A (10,0 HP /  
3PH); [R134A, R404, R507] Compresseur à piston Danfoss Maneurop NTZ271A4LR1A  
(13.0HP / 3PH); [R134A, R404, R507] COMPRESSEUR MANEUROP 2.0HP MT22 MANEUROPE  
2.0HP MT22 COMPRESSEUR MANEUROP COMPRESSEUR MTZ-22JE-4VE R404A MANEUROPE 2.30HP  
MT28JE-5PVE MT28-5VI / MT28-5VM COMPRESSEUR MANEUROP 2.30HP MT28JE-5PVE MT28-5VI  
/ MT28-5VM COMPRESSEUR MANEUROPEUR 2.30H5 / R404A) COMPRESSEUR MANEUROP 2.8HP  
MTZ32-5VM (R134a / R404A / R507) COMPRESSEUR MANEUROP MT32JF5MVE 2-3 / 4HP  
((R22) COMPRESSEUR MANEUROP 3.0HP MT36JG4FVE (MT36-4VI / MT36-4VM) (R22)  
COMPRESSEUR 3.0HP COMPRESSEUR MT36 MANEUROP 3.3HP MT40JH4EVE COMPRESSEUR  
MANEUROP 3.3HP MTZ40-JH4AVE COMPRESSEUR (R407A / C / F / R134A / R404A / R507)  
Compresseur MANEUROP MTZ-36-JG4AVE (R407C / R134a / R404A-R407C / R134a / R404A)  
-Compresseur JH4AVE (R134a / R404A) – Compresseur 3.3HP 3PH MANEUROP MTZ-44-  
HJ4AVE (R134a / R404A) – 3. 5HP 3PH MANEUROP 4HP MTZ-50HK-4CVE (MTZ50-4VI /  
MTZ50-4VM) COMPRESSEUR (R134A / R404A) MANEUROP MTZ56HL3BVE R407c, R134a, R507a,  
R404a compresseur MANEUROP MT-64-4VM COMPRESSEUR MANEUR 64-4VM COMPRESSEUR  
MANEUR COMPRESSEUR MT72-4VM COMPRESSEUR MANEUROP MT-80-4VM (6.5HP) Compresseur  
MANEUROP 6.6HP MT81HP4AVE COMPRESSEUR MANEUROP MTZ80HM4DVE COMPRESSEUR MANEUROP  
8.5HP MT100-4VM COMPRESSEUR MANEUROPE 10HP MT100-4VM (MT100HS4DVE) COMPRESSEUR  
10HP MT100-4VM (MT100HS4DVE) COMPRESSEUR MT12M10 MANHOP 4-COMPRESSEUR 10HP R22)  
COMPRESSEUR MANEUROP 10HP MTZ125HW4AVE (R404A / R134A / R507 / R407C)  
COMPRESSEUR MANEUROPE 12HP MT144-4VM COMPRESSEUR MANEUROPE 13.3HP MT160-4VM  
(MT160HW4DVE) COMPRESSEUR MANZVMER 10 COMPRESSEUR MANZVM4 (MT160HW4DVE) / 2 ' )  
SER. KIT POUR MT-28 MANEUROP 7703009 (1-1 / 8 '& 3/4') SER.

---

# Réfrigerator, Freezer, GR-B562YLC, 420L, 20 Feet, Compressor, 1/3HP, R134A, 135G , LG GR-B562YLC, Bio Shield, Vitamin Plus, Carbon deodorizer

Category: compressor, Freezer, Technologie  
written by [www.mbsm.pro](http://www.mbsm.pro) | 12 December 2021



Private Picture Copyright : [WWW.MBSM.PRO](http://WWW.MBSM.PRO)

BRAND TYPE Rp (000) FEATURES

ELECTROLUX ERM-1500 Rp.1588 154lt, Semi Auto Defrost, Low Voltage

LG GC-051SA 1220 46 lt Portable refrigerator

LG GN-V191RL Rp.1551 190lt, Semi Auto Defrost, vertical handle

LG GN-V191RLK Rp.- 190lt, Semi Auto Defrost, XL freezer, Door Lock

LG GN-V191SL Rp.1561 190lt, Semi Auto Defrost, horizontal handle  
LG GN-V191SLT Rp.1531 190lt, Semi Auto Defrost, Direct Cooling, Magic Crisper  
LG GN-V231RL Rp.1721 230lt, Semi Auto Defrost, vertical handle  
LG GN-V231SL Rp.1671 230lt, Semi Auto Defrost, horizontal handle  
PANASONIC NR-A172D-ST Rp.1539 155 Lt, Alowa +, Colour: Stainless  
PANASONIC NR-A172M Rp.1429 155 Lt, Alowa +, Colour: Orange, Night Blue & Savanna  
Green  
PANASONIC NR-A172S Rp.1399 155 Lt, Alowa +, Colour: Moccachino, Black coffee  
hairline  
PANASONIC NR-A192D-ST Rp.1639 164 Lt, Alowa +, Colour: Stainless  
PANASONIC NR-A192M Rp.1499 164 Lt, Alowa +, Colour: Orange, Night Blue & Savanna  
Green  
PANASONIC NR-A192S Rp.1499 164 Lt, Alowa +, Colour: Moccachino, Black coffee  
hairline  
SAMSUNG RA-19PTMU Rp.- 190Lt, Direct cooling, Anti Bacterial Gasket  
SAMSUNG RA-19PTPG Rp.- 190Lt, Direct cooling, Anti Bacterial Gasket  
SAMSUNG RA-19PTTS Rp.- 190Lt, Door Alarm: 2 min, Anti bacterial gasket  
SAMSUNG RA-21PTTS Rp.- 210Lt, Direct cooling, Anti Bacterial Gasket  
SANYO SR-D167SB Rp.1290 Semi Auto Defrost, Direct Cooling System  
SANYO SR-D182SB Rp.1430 160 lt, Semi auto defrost, 505x510x1160, colour: batik  
red  
SANYO SR-D187SB Rp.1339 Semi Auto Defrost, Direct Cooling System  
SANYO SR-D188SB Rp.1490 160 lt, Semi auto defrost, 505x510x1160  
SANYO SR-D216SB Rp.1490 Semi auto defrost, 505 x 510 x 1310  
SANYO SR-D50 Rp.- 50 lt, 22w, Super silent compressor  
SANYO SR-D75 Rp.- 75 lt, 24w, Super silent compressor  
SHARP SJ-S170T-RD Rp.1627 SAMURAI series, 160 lt, Anti Bacteria, Semi Auto  
Defrost  
SHARP SJ-S190T-RD Rp.1697 SAMURAI series, 170 lt, Anti Bacteria, Semi Auto  
Defrost  
SHARP SJ-S200T-RD Rp.1747 SAMURAI series, 170 lt, Anti Bacteria, Semi Auto  
Defrost  
SHARP SJ-D17T-SL Rp.1919 Knight series, 150 Lt, Semi Auto Defrost  
SHARP SJ-17MKII Rp.1437 170lt, Low voltage, Griplless Handle  
SHARP SJ-19MKII Rp.1527 170lt, Low voltage, Griplless Handle  
SHARP SJ-22SE Rp.- 180lt, Extra Big Freezer, Semi Auto Defrost  
SHARP SJ-G191T Rp.1627 170 Lt, Lemon Series Refrigerator, Low voltage  
SHARP SJ-G200T Rp.- Lemon Series Refrigerator, Honeycomb Deodorizer  
SHARP SJ-G220T Rp.- Lemon Series Refrigerator, Low voltage  
SHARP SJ-K170T Rp.- Lemon Series Refrigerator, Anti Bacteria, Key  
SHARP SJ-K190T Rp.- Lemon Series Refrigerator, Anti Bacteria, Key  
SHARP SJ-K230T Rp.- Lemon Series Refrigerator, Anti Bacteria, Key  
TOSHIBA GR-N9P Rp.1282 70 lt, Portable, Ultra Direct Cooling, Glacio XD7  
TOSHIBA GR-N155BC Rp.1281 120 lt, 22 w, Glacio XD7  
TOSHIBA GR-N175BC Rp.1422 150 lt, 25 w, Glacio XD7  
TOSHIBA GR-N178JZ-T Rp.1422 Glacio Jazz series, Silver ion anti bacteria,  
Colour:  
Titanium  
TOSHIBA GR-N178JZ-W Rp.1422 Glacio Jazz series, Silver ion anti bacteria,  
Colour:

White

TOSHIBA GR-N185BCH Rp.1422 160 lt, 27 w, Glacio XD7

TOSHIBA GR-N188JZ-T Rp.1521 Glacio Jazz series, Silver ion anti bacteria,  
Colour:

Titanium

TOSHIBA GR-N188JZ-W Rp.1521 Glacio Jazz series, Silver ion anti bacteria,  
Colour:

White

TOSHIBA GR-N195C Rp.1477 165 lt, 27 w, Glacio XD7

TOSHIBA GR-N198 Rp.- 165 Lt, Glacio XD7, Silver Ion Anti Bacteria, 27W

TOSHIBA GR-N228 Rp.- 180 Lt, Glacio XD7, Silver Ion Anti Bacteria, 30W

TOSHIBA GR-N198W Rp.- 165 Lt, Dispenser, Glacio XD7, Silver Ion Anti Bacteria,  
27W

TOSHIBA GR-N228W Rp.- 180 Lt, Dispenser, Glacio XD7, Silver Ion Anti Bacteria,  
30W

= FREEZER =

BRAND TYPE Rp (000) FEATURES

SANYO HF-S4LL Rp.1929 120 lt, 4 rak

SANYO HF-S6L Rp.2229 180 lt, 6 rak

TOSHIBA GF-K149 Rp.1881 4 rak, kunci

TOSHIBA GF-K169 Rp.2021 5 rak, kunci

TOSHIBA GF-K189 Rp.2181 6 rak, kunci

= KULKAS 2 PINTU / 2 DOORS REFRIGERATOR =

BRAND TYPE Rp (000) FEATURES

ELECTROLUX ETB-1800PC Rp.2848 180 Lt, Jet Air Cooling System, Deodorizer, Door  
alarm

ELECTROLUX ETB-2300PC Rp.3488 230 Lt, Multi Airflow System, Deo Fresh Active,  
Door  
alarm

ELECTROLUX ETB-2600PC Rp.4388 260 Lt, Multi Airflow System, Deo Fresh Active,  
Door  
alarm

ELECTROLUX ETB-3200PC Rp.4888 320 Lt, Multi Airflow System, Deo Fresh Active,  
Door  
alarm

ELECTROLUX ETE-4407SD Rp.8088 440 Lt, Jet Air Curtain System, UV Platinum  
deodorizer

ELECTROLUX ETM-4407PD Rp.7289 440 Lt, Jet Air Curtain System, Active Deo,  
Colour:

Silver

ELECTROLUX ETM-4407SD Rp.7729 440 Lt, Jet Air Curtain System, Active Deo,  
Colour:

Stainless

ELECTROLUX ETM-5107SD Rp.8689 520 Lt, Active Hybrid Deodorizer, Colour:

Stainless

ELECTROLUX ETE-5107SD Rp.8999 522 Lt, UV Platinum Deo, LED display, Colour:  
Stainless

LG GN-V212RL Rp.2283 210 lt, Vit + Ion, Multi Airflow Cooling System

LG GN-V212RP Rp.2589 210 Lt, Health+ system, Vitamin+

LG GN-V212SL Rp.2179 210 lt, Multi Airflow Cooling System

LG GN-V212SLT Rp.2179 210 lt, Multi Airflow Cooling System  
LG GN-V222RLT Rp.2489 220 lt, Vit + Ion, Multi Airflow Cooling System  
LG GN-V222RP Rp.2839 220 Lt, Health+ system, Vitamin+  
LG GN-V222SLT Rp.2289 220 lt, Vit + Ion, Multi Airflow Cooling System  
LG GN-V262RLC Rp.2849 234 lt, Multi Airflow, Moist Balance Crisper  
LG GN-V262RLCT Rp.2849 234 lt, Vitamin Plus, Moist Balance Crisper  
LG GN-V282RLC Rp.2979 253 lt, , Multi Airflow, Moist Balance Crisper  
LG GN-V282RLCT Rp.2989 253 lt, Vitamin Plus, Moist Balance Crisper  
LG GN-B352CLC Rp.3849 291lt Nett capacity, Vitamin Plus, Ion Carbon Deodorizer  
LG GN-M352CLN Rp.4349 288 lt Nett capacity, Bio Shield, Vitamin Plus, LED display  
LG GN-B392CLC Rp.4139 321lt Nett capacity, Vitamin Plus, Ion Carbon Deodorizer  
LG GN-M352CPC Rp.4241 288 lt Nett capacity, Door Cooling, Vit Plus, Green Ion Deo,  
Flora finishing  
LG GN-M352CPC-APG Rp.4229 288 lt Nett capacity, Door Cooling, Vit Plus, Green Ion Deo,  
Flora finishing  
LG GN-M392CPC Rp.4459 318 lt Nett capacity, Door Cooling, Vit Plus, Green Ion Deo,  
Flora finishing  
LG GN-M392CPC-APG Rp.4459 288 lt Nett capacity, Door Cooling, Vit Plus, Green Ion Deo,  
Flora finishing  
LG GN-B492CLC Rp.- 393 lt Nett capacity, Vitamin Plus, Ion Carbon Deodorizer  
LG GN-B492GLC Rp.4689 490Lt, Fresh OZone, Bigger Fruits & Veggie Box  
LG GN-M492CLN Rp.5369 388 lt Nett capacity, Bio Shield, Vitamin Plus, LED display  
LG GN-M492CPC Rp.- 388 lt Nett capacity, Door Cooling, Vit Plus, Green Ion Deo,  
Flora finishing  
LG GN-M492CPC-APG Rp.5239 388 lt Nett capacity, Door Cooling, Vit Plus, Green Ion Deo,  
Flora finishing  
LG GN-M492GLH Rp.5551 490Lt, Anti-Bacterial Health Guard, Ext Temperature Control  
LG GN-M492GPC Rp.5459 490Lt, Green Ion Door Cooling, External Temperature Control  
LG GN-B562GLC Rp.5159 560Lt, Fresh OZone, Bigger Fruits & Veggie Box  
LG GN-M562GLH Rp.6081 560Lt, Anti-Bacterial Health Guard, Ext Temperature Control  
LG GN-M562GPC Rp.5682 560Lt, Green Ion Door Cooling, External Temperature Control  
LG GN-B602GLC Rp.5749 600Lt, Fresh OZone, Bigger Fruits & Veggie Box  
LG GN-M602GPC Rp.6172 600Lt, Green Ion Door Cooling, External Temperature Control  
LG GN-M602GLH Rp.6581 600Lt, Anti-Bacterial Health Guard, Ext Temperature Control  
LG GN-B702GPC Rp.7229 700Lt, Green Ion Door Cooling, External Temperature Control  
LG GN-M702GLH Rp.7881 700Lt, Anti-Bacterial Health Guard, Ext Temperature

## Control

LG GN-M702GPH Rp.8121 700Lt, Anti-Bacterial Health Guard, Ext Temperature Control

PANASONIC NR-B222M Rp.2399 210 Lt, Eco compressor (Energy saving up to 30%), Colour: Coral Blue, Savanna Green, Sapphire Violet

PANASONIC NR-B222R Rp.2399 210 Lt, Eco compressor (Energy saving up to 30%), Colour: Lily Starlight Silver, Lily Praline Brown

PANASONIC NR-B222S-H Rp.2399 210 Lt, Eco compressor (Energy saving up to 30%), Colour: Iris Black Hairline

PANASONIC NR-B262M Rp.2582 223 Lt, Eco compressor (Energy saving up to 30%), Colour: Coral Blue, Savanna Green, Sapphire Violet

PANASONIC NR-B262R Rp.2659 223 Lt, Eco compressor (Energy saving up to 30%), Colour: Lily Starlight Silver, Lily Praline Brown

PANASONIC NR-B262S-H Rp.2659 223 Lt, Eco compressor (Energy saving up to 30%), Colour: Iris Black Hairline

SAMSUNG RT-2A SRTS1 Rp.- 196LT, Humidity adjustable for optimal freshness and nutrients

SAMSUNG RT-2B SLTS Rp.- 280 Lt, Silver Nano deodorizer, Coolever zone

SAMSUNG RT-2B SRIS Rp.- 280 Lt, Cool Pack, Silver Plus deo, Colour: inox silver

SAMSUNG RT-41TSGL Rp.5441 336 Lt, Cool Pack, Silver Plus deo, Colour: glass door

SAMSUNG RT-45USGL Rp.5781 450 Lt, Cool Pack, Silver Plus deo, Colour: glass door

SANYO SR-D225NSB Rp.2339 Nano Ferrite Filter, Carbon deodorizer

SANYO SR-D245NSB Rp.2649 Nano Ferrite Filter, Carbon deodorizer

SHARP SJ-F201C-HD Rp.2382 2337 BATIQUÉ Series, 173 Lt, Automatic Defrosting

SHARP SJ-F231C-HD Rp.2633 2547 BATIQUÉ Series, 180 Lt, Automatic Defrosting

SHARP SJ-F201S-RD Rp.2578 2387 SAMURAI series, 170 lt, Anti bacteria

SHARP SJ-F231S-RD Rp.2615 2582 SAMURAI series, 180 lt, Anti bacteria

SHARP SJ-F201G Rp.- Fresh Lemon Series Refrigerator, Low Voltage

SHARP SJ-F231G – Fresh Lemon Series Refrigerator, Low Voltage

SHARP SJ-F232G – 180 lt, Fresh Lemon Series, Low Voltage

SHARP SJ-F233G – 180 lt, Fresh Lemon Series, Low Voltage

SHARP SJ-F232K Rp.- 180 lt, Fresh Lemon Series, Low Voltage, Door key

SHARP SJ-F240G Rp.- 221 lt, Fresh Lemon Series, Low Voltage

SHARP SJ-D22LV-SL Rp.- 195 lt, Lemon Series Refrigerator, Low Voltage

SHARP SJ-D27LV-SL Rp.- 210 lt, Lemon Series Refrigerator, Low Voltage

SHARP SJ-D30LV-SL Rp.- 235 lt, Lemon Series Refrigerator, Low Voltage

SHARP SJ-291NLV-SL Rp.- 260 lt, Lemon Series Refrigerator, Low Voltage

SHARP SJ-351NLV-SL Rp.- 300 lt, Lemon Series Refrigerator, Low Voltage

SHARP SJ-F420G-SS Rp.3727 310 lt, King Samurai Series, No Frost, Deodorizer

SHARP SJ-F420G-PS Rp.3927 310 lt, King Samurai Series, No Frost, Deodorizer

SHARP SJ-431NLV-SL Rp.- 320 lt, Lemon Series Refrigerator, Low Voltage

SHARP SJ-P470NLV-SL Rp.5757 367 lt, Vetro Series, Plasmacluster Ion, Colour: Silver

SHARP SJ-P470NLV-B Rp.5887 367 lt, Vetro Series, Plasmacluster Ion, Colour: Black

SHARP SJ-P471NLV-GS Rp.6482 367 lt, Vetro Series, Plasmacluster Ion, Colour: Glass Silver

SHARP SJ-P471NLV-GB Rp.6682 367 lt, Vetro Series, Plasmacluster Ion, Colour: Glass Black

SHARP SJ-P570NLV-SL Rp.- 397 lt, Vetro Series, Plasmacluster Ion, Colour: Silver

SHARP SJ-P570NLV-B Rp.- 397 lt, Vetro Series, Plasmacluster Ion, Colour: Black  
SHARP SJ-P571NLV-GS Rp.- 397 lt, Vetro Series, Plasmacluster Ion, Colour: Glass Silver  
SHARP SJ-P571NLV-GB Rp.- 397 lt, Vetro Series, Plasmacluster Ion, Colour: Glass Black  
SHARP SJ-461NLV Rp.- 367 lt, SALSA Series Refrigerator, Hybrid Cooling System  
SHARP SJ-P461NLV Rp.- 443 lt, SALSA Series Refrigerator, Plasmacluster Ion System  
SHARP SJ-561NLV Rp.- 397 lt, SALSA Series Refrigerator, Hybrid Cooling System  
SHARP SJ-P561NLV Rp.- 478 lt, SALSA Series Refrigerator, Plasmacluster Ion System  
SHARP SJ-P581NLV Rp.- 437 lt, SALSA Series Refrigerator, Hybrid Cooling System, Plasmacluster, Advance LEC Control, Nano Deodorizer  
SHARP SJ-P651NLV Rp.- 473 lt, SALSA Series Refrigerator, Hybrid Cooling System, Plasmacluster, Advance LEC Control, Nano Deodorizer  
SHARP SJ-P751NLV Rp.- 514 lt, SALSA Series Refrigerator, Hybrid Cooling System, Plasmacluster, Advance LEC Control, Nano Deodorizer  
SHARP SJ-P851NLV Rp.- 555 lt, SALSA Series Refrigerator, Hybrid Cooling System, Plasmacluster, Advance LEC Control, Nano Deodorizer  
SHARP SJ-WS400T Rp.9347 326 Lt, Dual Swing Door, Energy Saving with Inverter  
TOSHIBA GR-M245E Rp.2141 180 lt, No Frost, Glacio XD7  
TOSHIBA GR-M245D Rp.2391 180 lt, No Frost, Deodorizer, Glacio XD7  
TOSHIBA GR-M265D Rp.2731 216 lt, No Frost, Deodorizer, Glacio XD7  
TOSHIBA GR-M258 Rp.2291 216 lt Glacio Jazz, No Frost, Low Voltage  
TOSHIBA GR-R21ET Rp.- Import, 180 lt, Health series, Platinum Deodorizer  
TOSHIBA GR-R25ET Rp.3491 Import, 228 lt, Health series, Platinum Deodorizer  
TOSHIBA GR-R35ED Rp.4551 Import, 280 lt, Hybrid Plasma Deo, AG+ Crisper  
TOSHIBA GR-R42ED Rp.4921 Import, 320 lt, Hybrid Plasma Deo, AG+ Crisper  
TOSHIBA GR-R48ED Rp.- Import, 401 lt, Hybrid Plasma Deo  
TOSHIBA GR-R51ED Rp.5621 Import, 401 lt, Hybrid Plasma Deo, AG+ Crisper  
TOSHIBA GR-R58ED Rp.7381 6661 Import/Complete Built-up, 500 lt, Hybrid Plasma Deo  
TOSHIBA GR-R66ED Rp.8725 8261 Import/Complete Built-up, 590 lt, Hybrid Plasma Deo  
TOSHIBA GR-RG43ED Rp.- Import, 355 lt, Hybrid Plasma Deo, Glass door  
TOSHIBA GR-RG46ED Rp.5621 Import, 410 lt, Hybrid Plasma Deo, AG+ Crisper, Glass door  
TOSHIBA GR-RG48ED Rp.- Import, 410 lt, Hybrid Plasma Deo, Glass door  
TOSHIBA GR-RG51ED Rp.- Import, 500 lt, Hybrid Plasma Deo, AG+ Crisper, Glass door  
TOSHIBA GR-RG58ED Rp.7851 Import, 500 lt, Hybrid Plasma Deo, Glass door  
TOSHIBA GR-RG66ED Rp.8961 Import, 590 lt, Hybrid Plasma Deo, Glass door  
= KULKAS 3 PINTU / 3 DOORS REFRIGERATOR =  
BRAND TYPE Rp (000) FEATURES  
ELECTROLUX ETB-2603PC Rp.4889 Deo Fresh Active, Multi Airflow System  
TOSHIBA GR-R50EDV Rp.6129 Import/Complete Built-up, 3 doors  
SIDE-BY-SIDE REFRIGERATOR  
ELECTROLUX ESE-5608TA Rp.13828 555 lt, Crisper with Adjustable Humidity Control  
LG GC-B207BLQ Rp.9222 581 lt, Icebeam Door Cooling System, LED Display  
LG GC-B207CLC Rp.8151 581 lt, Bio Shield, Moist Balance™ Crisper, Digital Sensor

LG GC-B207CPC Rp.8289 8222 581 lt, Green Health Plus, Moist Balance™ Crisper  
 LG GC-L207BLK Rp.12889 LED Lighting, Tall ice & water dispenser  
 LG GR-B207BLQ Rp.8879 581 lt, LED Temperature Control, Bio Shield, Super Cool  
 LG GR-B217LGJ Rp.15382 581 lt, LED Temperature Control, Bio Shield Flower  
 Pattern  
 LG GR-L207BLK Rp.- 567 lt, Icebeam Door Cooling System, Water & Ice Dispenser  
 MODENA RF-2561 Rp.8333 618Lt, Humidity controller crisper, Multi air flow  
 MODENA RF-2565 Rp.14343 608Lt, LED Temperature control, Ice & water dispenser  
 MODENA RF-4862 Rp.16663 610Lt, 4 Doors, Fast Freeze, Active Vita Crisper  
 = SHOWCASE COOLER =  
 BRAND TYPE Rp (000) FEATURES  
 DOMO DS 1200 Rp.2453 200 Lt showcase display cooler, 0 °C-10 °C  
 DOMO DS 1250 Rp.2757 2543 250 Lt showcase display cooler, 0 °C-10 °C  
 DOMO DS 1300 Rp.2853 300 Lt showcase display cooler, 0 °C-10 °C  
 DOMO DS 1400 Rp.3354 400 Lt showcase display cooler, 0 °C-10 °C  
 GEA EXPO 50 Rp.1491 50 Lt, 2°C – 8°C, fan cooling system, 1shelf  
 GEA EXPO 90 Rp.1991 90 Lt, 2°C – 8°C, fan cooling system, 4 shelves  
 GEA EXPO 136 Rp.2221 136 Lt, 2°C – 8°C, fan cooling system, 3 shelves  
 GEA EXPO 218HS Rp.2951 210 Lt, 2°C – 8°C, fan cooling system, 4 shelves  
 GEA EXPO 268HS Rp.3076 260 Lt, 2°C – 8°C, fan cooling system, 5 shelves  
 GEA EXPO 280P Rp.3471 280 Lt, 2°C – 8°C, No Frost Premium series, 4 shelves  
 GEA EXPO 368HS Rp.3481 360 Lt, 2°C – 8°C, fan cooling system, 5 shelves  
 GEA EXPO 450P Rp.5476 400 Lt, 2°C – 8°C, No Frost Premium series, 5 shelves  
 GEA EXPO 480 Rp.6332 6221 480 Lt, 2°C – 8°C, No Frost Premium, 6 shelves  
 GEA EXPO 200 Rp.- 200 Lt, 2°C – 8°C, fan cooling system, 3 shelves  
 GEA EXPO 250 Rp.- 250 Lt, 2°C – 8°C, fan cooling system, 5 shelves  
 GEA EXPO 350 Rp.- 350 Lt, 2°C – 8°C, fan cooling system, 5 shelves  
 GEA EXPO 420DD Rp.- 420 Lt, 2°C – 8°C, fan cooling system, 5 shelves  
 MODENA SC-1130 Rp.2048 130 Lt showcase display cooler, 0 °C-10 °C  
 MODENA SC-1150 Rp.2281 150 Lt showcase display cooler, 0 °C-10 °C  
 MODENA SC-1180 Rp.2423 180 Lt showcase display cooler, 0 °C-10 °C  
 MODENA SC-1200 Rp.- 200 Lt showcase display cooler, 0 °C-10 °C  
 MODENA SC-1260 Rp.3740- 2953 260 Lt showcase display cooler, 0 °C-10 °C  
 MODENA VM-1320 Rp.- 320 Lt showcase display cooler, 0 °C-10 °C  
 MODENA VM-1350 Rp.3583 350 Lt showcase display cooler, 0 °C-10 °C  
 MODENA VM-1380 Rp.- 380 Lt showcase display cooler, 0 °C-10 °C  
 MODENA VM-1410 4982 4084 410 Lt showcase display cooler, 0 °C-10 °C  
 POLYTRON SCP-122LE Rp.2328 Big capacity, Non CFC, Low energy consumption  
 POLYTRON SCP-123 Rp.2448 Big capacity, Non CFC, Low energy consumption, Bottle  
 opener  
 POLYTRON SCP-150 Rp.2528 180 Lt, Non CFC, Low energy consumption, 540x660x1525mm  
 POLYTRON SCP-151 Rp.2559 Big capacity, Non CFC, Low energy consumption, Bottle  
 opener  
 POLYTRON SCP-156T Rp.2480 170Lt, IPM LED Timer, 3 Shelves  
 POLYTRON SCP-157T Rp.2580 170Lt, IPM LED Timer, 3 Shelves, Bottle opener,  
 Door handle  
 POLYTRON SCP-161 Rp.2728 180 Lt, 3 Shelves, Bottle opener, No Frost  
 POLYTRON SCP-1170 Rp.2687 230 Lt, Non CFC, Low energy consumption,  
 540x660x1785mm  
 POLYTRON SCP-1171 Rp.2788 Big capacity, Non CFC, Low energy consumption, Bottle

opener

POLYTRON SCP-1181 Rp.2968 230 Lt, 4 Shelves, Bottle opener, No Frost

SANSIO SAN-238SC Rp.3543 4 Shelves, 55 x 54 x 177 cm

SANSIO SAN-288SC Rp.3853 4 Shelves, 58 x 61 x 182 cm

SANSIO SAN-368SC Rp.4283 4 Shelves, 58 x 61 x 198 cm

SANSIO SAN-278SC Rp.4543 4 Shelves Premium series display showcase cooler

SANSIO SAN-378SC Rp.4993 5 Shelves Premium series display showcase cooler

SANSIO SAN-248 Rp.- 248 Lt, 4 Shelves, Premium series display showcase cooler

SANSIO SAN-338 Rp.- 338 Lt, 5 Shelves, Premium series display showcase cooler

SANSIO SAN-428SC Rp.5733 408 Lt, 5 Shelves, Premium series display showcase cooler

SANSIO SAN-888 Rp.8943 888 Lt, 2 Doors, 10 Shelves, 0° to +10°C

SANSIO SAN-1188 Rp.9953 1188 Lt, 2 Doors, 10 Shelves, 0° to +10°C

SANSIO SAN-1488 Rp.1488 Lt, 2 Doors, 10 Shelves, 0° to +10°C

Back to top

= CHEST FREEZER =

BRAND TYPE Rp (000) FEATURES

DOMO DF 1100 Rp.1644 100 Lt chest freezer, - 18°C

DOMO DF 1155 Rp.1829 155 Lt chest freezer, - 18°C

DOMO DF 1205 Rp.2044 205 Lt chest freezer, - 25°C

DOMO DF 1300 Rp.2734 300 Lt chest freezer, - 25°C

GEA AB-108 Rp.1972 105 Lt, - 28°C, Lock

GEA AB-201TX Rp.2629 194 Lt, - 28°C, Lock

GEA AB-201TC Rp.3081 194 Lt, - 28°C, Lock, suhu bisa dirubah ke chiller +2° s/d +8°C

GEA AB-271 Rp.3151 295 Lt, - 28°C, Lock

GEA AB-396T Rp.4121 386 Lt, - 28°C, Lock

GEA AB-506T Rp.4831 492 Lt, - 28°C, Lock

GEA AB-600T Rp.5341 607 Lt, - 28°C, Lock

GEA AB-600TC Rp.6521 607 Lt, - 28°C, Lock

GEA AB-750T Rp.5961 750 Lt, - 28°C, Lock

MODENA MD-10 Rp.2188 100 Lt chest freezer, - 25°C

MODENA MD-15 Rp.2383 155 Lt chest freezer, - 25°C

MODENA MD-20A Rp.2695 205 Lt chest freezer, - 25°C

MODENA MD-30 Rp.3883 300 Lt chest freezer, - 25°C

MODENA MD-45 Rp.5033 450 Lt chest freezer, - 25°C

MODENA MD-60 Rp.5433 600 Lt chest freezer, - 25°C

MODENA MD-75 Rp.6783 750 Lt chest freezer, - 25°C

MODENA MD-95 Rp.8983 950 Lt chest freezer, - 25°C

SANSIO SAN-148F Rp.2033 142 Lt, Temperatur range: -25° to -32°C

SANSIO SAN-218F Rp.2543 215 Lt, Temperatur range: -25° to -32°C

SANSIO SAN-318F Rp.3343 318 Lt, Temperatur range: -25° to -32°C

SANSIO SAN-418F Rp.4543 418 Lt, Temperatur range: -25° to -32°C

SANSIO SAN-518F Rp.5653 518 Lt, Temperatur range: -25° to -32°C

SANSIO SAN-618F Rp.5399 618 Lt, Temperatur range: -25° to -32°C

SANSIO SAN-818F Rp.7273 818 Lt, Temperatur range: -25° to -32°C

SANSIO SAN-1288F Rp.- 1188 Lt, Temperatur range: -25° to -32°C

SANYO SF-C11KW Rp.1939 108 Lt, Key lock, Non CFC

SANYO SF-C15KW Rp.2039 150 Lt, Key lock, Non CFC

SANYO SF-C18KW Rp.2139 178 Lt, Key lock, Non CFC

SANYO SF-C21KW Rp.2439 208 Lt, Key lock, Non CFC  
SANYO SF-C24KW Rp.2669 245 Lt, Key lock, Non CFC  
SANYO SF-C30KW Rp.3249 298 Lt, Key lock, Non CFC

Back to top

= SLIDING GLASS FREEZER =

BRAND TYPE Rp (000) FEATURES

GEA SD-100 Rp.1871 Sliding flat glass,100 Lt, -18 to - 25°C  
GEA SD-132P Rp.2191 Sliding flat glass,132 Lt, -18 to - 25°C  
GEA SD-186 Rp.2371 Sliding flat glass,186 Lt, -18 to - 25°C  
GEA SD-260BY Rp.3891 Sliding curve glass, 260 Lt, -15 to - 20°C  
GEA SLD-200 Rp.3172 Sliding curve glass, 200 Lt, -18 to - 25°C  
GEA SLD-258 Rp.- Sliding curve glass, 258 Lt, -18 to - 25°C  
GEA SLD-308 Rp.4122 Sliding curve glass, 308 Lt, -18 to - 25°C  
GEA SLD-388 Rp.4922 Sliding curve glass, 388 Lt, -18 to - 25°C  
MODENA MC-23 Rp.4012 Sliding curve glass, 230 Lt freezer, - 25°C  
MODENA MC-30 Rp.4627 Sliding curve glass, 300 Lt freezer, - 25°C  
SANSIO SAN-268SF Rp.3683 Sliding curve glass, 268 Lt, -18° to -25°C  
SANSIO SAN-308SF Rp.4383 Sliding curve glass, 308 Lt, -18° to -25°C  
LG GN-V262RVC 260 lt, Vit + Ion, Multi Airflow Cooling System  
LG GN-V282RLC 290 lt, , Multi Airflow, Moist Balance Crisper –  
LG GN-V282RLCT 253 lt, Vitamin Plus, Moist Balance Crisper  
LG GN-V282RVC 290 lt, Vit + Ion, Multi Airflow Cooling System –  
LG GN-V282RNB 290 lt, Vit + Ion, Multi Airflow Cooling System –  
LG GN-B352CLC 291lt Nett capacity, Vitamin Plus, Ion Carbon Deodoriser  
LG GN-B352YVC 350 lt, Bio Shield, Green Ion Door Cooling, Vitamin Plus  
LG GN-B392CLC 321lt Nett capacity, Vitamin Plus, Ion Carbon Deodoriser  
LG GN-B392YLC 380 lt, Bio Shield, Vitamin Plus, Green Ion deodorizer  
LG GN-B492CLC 393 lt Nett capacity, Vitamin Plus, Ion Carbon Deodoriser  
LG GN-M352CLN 288 lt Nett capacity, Bio Shield, Vitamin Plus, LED display  
LG GN-M352CPC 288 lt Nett capacity, Door Cooling, Vit Plus, Green Ion Deo, Flora finishing  
LG GN-M352YPC 315 lt, Bio Shield, Vitamin Plus, Green Ion deodorizer –  
LG GN-M392CPC 318 lt Nett capacity, Door Cooling, Vit Plus, Green Ion Deo, Flora finishing  
LG GN-M392YLQ 346 lt, Bio Shield, Vitamin Plus, Green Ion door cooling –  
LG GN-M392YPC 346 lt, Bio Shield, Vitamin Plus, Green Ion deodorizer –  
LG GN-M492CLN 388 lt Nett capacity, Bio Shield, Vitamin Plus, LED display  
LG GN-M492CPC 388 lt Nett capacity, Door Cooling, Vit Plus, Green Ion Deo, Flora finishing  
LG GN-M492YPC 422 lt, Bio Shield, Vitamin Plus, Green Ion deodorizer –  
LG GR-B352CLC 350 lt, Bio Shield, Vitamin Plus, Z-Deodoriser  
LG GR-B392YLC 339 lt, Green Ion Door Cooling, Vitamin Plus, Deo –  
LG GR-B492CLC 470 lt, Bio Shield, Vitamin Plus, Z-Deodoriser  
LG GR-B492YLC 393 lt, Bio Shield, Vitamin Plus, Z-Deodorizer –  
LG GR-B562YLC 428 lt, Bio Shield, Vitamin Plus, Carbon deodorizer  
LG GR-B602YLC 660 lt, Bio Shield, Vitamin Plus, Carbon deodorizer  
LG GR-M562YSQ 423 Lt netto, Wide LED Temperature Control, Vitamin Plus, Green ion Deodorizer  
LG GR-M602YSQ 463 Lt netto, Wide LED Temperature Control, Vitamin Plus, Green ion Deodorizer

LG GR-M652YSQ 566 Lt, Wide LED Temperature Control, Vitamin Plus, Green ion Deodorizer

LG GR-M712YLA 710 Lt, Wide LED Temperature Control, Vitamin Plus, Green ion Deodorizer, Door Alarm –

LG GR-M712YSQ 640 Lt, Wide LED Temperature Control, Vitamin Plus, Green ion Deodorizer

PANASONIC NR-B21KX 200 lt, 99w, Organix Antibacteria Cassette,

PANASONIC NR-B23CF-S 195 lt, 99w, DEON (Honey Comb Deodorizer & Ion)

PANASONIC NR-B25BF-S 229 lt, 110w, DEON (Honey Comb Deodorizer & Ion)

PANASONIC NR-B25GF-S 229 lt, 110w, DEON (Honey Comb Deodorizer & Ion)

PANASONIC NR-B203G 204 lt, MagicTop, N- Bio Deodorizer

PANASONIC NR-B243G 234 lt, MagicTop, N-Bio Deodorizer

PANASONIC NR-B283G 279 lt, MagicTop, N-Bio Deodorizer

PANASONIC NR-B363M 355 lt, Multi Hygienic System , MagicTop

PANASONIC NR-B403V Import/Complete Built-up, 395lt, MagicTop, Inverter

PANASONIC NR-B591 Import/Complete Built-up, 506 lt, MagicTop –

PANASONIC NR-BW414VSWA 418 lt, Inverter – saving 40% energy, MagicTop

PANASONIC NR-BW464VSWA 463 lt, Inverter – saving 40% energy, MagicTop

PANASONIC NR-BY551XSWA 495 lt, Inverter – saving 40% energy, MagicTop

PANASONIC NR-BW601XSWA 546 lt, Inverter – saving 40% energy, MagicTop

SAMSUNG RT-2A SDIS 230 Lt, Cool Pack, Silver Nano deodorizer

SAMSUNG RT-2A SATS 230 Lt, Cool Pack, Silver plus deodorizer

SAMSUNG RT-2A SDSS 230 Lt, Cool Pack, Silver Nano deodorizer

SAMSUNG RT-2A SDTS 230 Lt, Cool Pack, Silver plus deodorizer

SAMSUNG RT-2B SATS 280 Lt, Cool Pack, Silver Plus deodorizer, Coolever zone

SAMSUNG RT-2B SDTS 280 Lt, Cool Pack, Silver Nano deodorizer, Coolever zone

SAMSUNG RT-30SCTS 300 Lt, Big Plus, Cool Pack, Silver Plus deodorizer

SAMSUNG RT-30SSIS 300 Lt, Evergreen Zone, Cool Pack, Silver Plus deodorizer

SAMSUNG RT-30SSPN 300 Lt, Evergreen Zone, UV Chilled Room, Silver Plus deo

SAMSUNG RT-37SCTS 370 Lt, Big Plus, Cool Pack, Silver Plus deodorizer

SAMSUNG RT-37SSPN 370 Lt, Evergreen Zone, UV Chilled Room, Silver Plus deo

SAMSUNG RT-41MAIS 410 Lt, i-Cool, Coolever Zone, Silver Nano deodorizer

SAMSUNG RT-45MAIS 450 Lt, i-Cool, Coolever Zone, Silver Nano deodorizer

SANYO SR-D225N 179 lt, Nano Ferrite Filter, Carbon deodorizer

SANYO SR-D245N 216 lt, Nano Ferrite Filter, Carbon deodorizer

SHARP SJ-F201S-RD SAMURAI series, 170 lt, Anti bacteria

SHARP SJ-F231S-RD SAMURAI series, 180 lt, Anti bacteria

SHARP SJ-F200G Fresh Lemon Series Refrigerator, Low Voltage –

SHARP SJ-F200M Fresh Lemon Series Refrigerator, Low Voltage –

SHARP SJ-F201G Fresh Lemon Series Refrigerator, Low Voltage –

SHARP SJ-F201M Fresh Lemon Series Refrigerator, Low Voltage –

SHARP SJ-F231G Fresh Lemon Series Refrigerator, Low Voltage –

SHARP SJ-F231M Fresh Lemon Series Refrigerator, Low Voltage –

SHARP SJ-D22LV-SL 195 lt, Lemon Series Refrigerator, Low Voltage

SHARP SJ-D27LV-SL 210 lt, Lemon Series Refrigerator, Low Voltage

SHARP SJ-D30LV-SL 235 lt, Lemon Series Refrigerator, Low Voltage

SHARP SJ-291NLV-SL 260 lt, Lemon Series Refrigerator, Low Voltage –

SHARP SJ-351NLV-SL 300 lt, Lemon Series Refrigerator, Low Voltage

SHARP SJ-431NLV-SL 320 lt, Lemon Series Refrigerator, Low Voltage

SHARP SJ-460NLV 367 lt, SALSA Series Refrigerator, Nano Deodorizer –

SHARP SJ-461NLV 367 lt, SALSA Series Refrigerator, Hybrid Cooling System  
SHARP SJ-P450NLV 370 lt, Plasmacluster Ion System  
SHARP SJ-P461NLV 443 lt, SALSA Series Refrigerator, Plasmacluster Ion System  
SHARP SJ-560NLV 367 lt, SALSA Series Refrigerator, Nano Deodorizer –  
SHARP SJ-561NLV 397 lt, SALSA Series Refrigerator, Hybrid Cooling System  
SHARP SJ-P510NLV 409 lt, Plasmacluster Ion System  
SHARP SJ-P561NLV 478 lt, SALSA Series Refrigerator, Plasmacluster Ion System  
SHARP SJ-580NLV 437 lt, SALSA Series Refrigerator, Hybrid Cooling System –  
SHARP SJ-P580NLV 375 lt, Lemon Series no frost with plasma cluster  
SHARP SJ-P581NLV 437 lt, SALSA Series Refrigerator, Hybrid Cooling System,  
Plasmacluster, Advance LEC Control, Nano Deodorizer  
SHARP SJ-650NLV 473 lt, SALSA Series Refrigerator, Hybrid Cooling System –  
SHARP SJ-P651NLV 473 lt, SALSA Series Refrigerator, Hybrid Cooling System,  
Plasmacluster, Advance LEC Control, Nano Deodorizer  
SHARP SJ-750NLV 514 lt, SALSA Series Refrigerator, Hybrid Cooling System –  
SHARP SJ-P750NLV 514 lt, SALSA Series Plasmacluster Refrigerator –  
SHARP SJ-P751NLV 514 lt, SALSA Series Refrigerator, Hybrid Cooling System,  
Plasmacluster, Advance LEC Control, Nano Deodorizer  
SHARP SJ-P812NLV 524 lt, Plasmacluster Ion System –  
SHARP SJ-850NLV 555 lt, SALSA Series Refrigerator, Hybrid Cooling System –  
SHARP SJ-P851NLV 555 lt, SALSA Series Refrigerator, Hybrid Cooling System,  
Plasmacluster, Advance LEC Control, Nano Deodorizer  
TOSHIBA GR-K242 180 lt, 75W  
TOSHIBA GR-K242PD 180 lt, 75W, Platinum Deodorizer  
TOSHIBA GR-K262 216 lt, 90W  
TOSHIBA GR-K262PD 216 lt, 90W, Platinum Deodorizer  
TOSHIBA GR-M245E 180 lt, No Frost  
TOSHIBA GR-M245D 180 lt, No Frost, Deodorizer  
TOSHIBA GR-M265D 216 lt, No Frost, Deodorizer  
TOSHIBA GR-R21ET Import, 180 lt, Health series, Platinum Deodorizer  
TOSHIBA GR-R25ET Import, 228 lt, Health series, Platinum Deodorizer  
TOSHIBA GR-R34ED Import/Complete Built-up, 280 lt, Hybrid Plasma Deo  
TOSHIBA GR-R39ED Import/Complete Built-up, 320 lt, Hybrid Plasma Deo  
TOSHIBA GR-RG43ED Import, 355 lt, Hybrid Plasma Deo, Glass door  
TOSHIBA GR-R48ED Import, 401 lt, Hybrid Plasma Deo  
TOSHIBA GR-RG48ED Import, 410 lt, Hybrid Plasma Deo, Glass door  
TOSHIBA GR-R58ED Import/Complete Built-up, 500 lt, Hybrid Plasma Deo  
TOSHIBA GR-R66ED Import/Complete Built-up, 590 lt, Hybrid Plasma Deo  
TOSHIBA GR-RG58ED Import, 500 lt, Hybrid Plasma Deo, Glass door  
TOSHIBA GR-RG66ED Import, 590 lt, Hybrid Plasma Deo, Glass door  
KULKAS 3 PINTU / 3 DOORS REFRIGERATOR  
ELECTROLUX ETB-2603PC Deo Fresh Active, Multi Airflow System  
TOSHIBA GR-R47EDV Import/Complete Built-up, 3 doors, 470 lt  
SIDE-BY-SIDE REFRIGERATOR  
ELECTROLUX ERE-6100SX 580 lt, Fully Electronic Control with LCD Display, Wine  
rack  
LG GR-A207WPJ 581 lt, Green LED, In-Door Ice Maker  
LG GR-B207FLC 581 lt, Bio Shield, Moist Balance™ Crisper  
LG GR-B207WLQ 581 lt, LED Temperature Control, Bio Shield  
LG GR-B217LGJ 581 lt, LED Temperature Control, Bio Shield Flower Pattern

LG GR-L207WLK 567 lt, Tall Ice & Water Dispenser  
LG GR-R207WTC 584 lt, Electric Control with 6 Sensor



Private Picture Copyright : [WWW.MBSM.PRO](http://WWW.MBSM.PRO)

Mbsm\_dot\_pro\_private\_PDF\_lg-gr-b562ylc-owner-s-manualTélécharger



**REFRIGERATOR-FREEZER**  
**MODEL No.: GR-B562YLC**

CLIMATE CLASS	T
RATING	
RATED CURRENT	220V ~ 50/60Hz
DEFROSTING INPUT	0.6A
RATED INPUT OF HEATER CORD	230W
RATED INPUT MAXIMUM OF LAMP	165W
FREEZER COMPARTMENT	
FRESH FOOD COMPARTMENT	20W
INSULATION BLOWING AGENT	30W
NET WEIGHT	Cyclopentane
REFRIGERANT	85kg
DIMENSIONS	R134a 135g
SERIAL No.:	755(W)x707(D)x1777(H)mm

MADE IN INDONESIA

Refer to bar code label.

Cyclopentane  
R134a

MEZ40001987

Private Picture Copyright : WWW.MBSM.PRO

Application Deep Freezer	MA88LAEP
Fridge Compressor – Capacity	410 – 450 liters
Displacement	8.8
Cooling Capacity	235 (kcal/h), 273W, 933 (Btu/h), 0.367HP
Input Power	227W
COP W/W	1.2
EER Btu/Wh	4.11
Motor type	CSIR-Relay
Starting Device (PTC)	QL2-5-55
Motor Protector (OLP)	4TM314TFB
(Capacitor) Starting/Surge Voltage	50 / 275
(OIL) Viscosity cst/ Qty(cc)	22/220
Cooling type	FC
Compressor Height	177mm

Net Weight

9.3 kg.

---

Compressor, LG, GK113P, R410A,  
220-240V, 50Hz, 9600 Btu / h,  
capacitor 35 uF, 1Piston

Category: compressor

written by [www.mbsm.pro](http://www.mbsm.pro) | 12 December 2021



Private Picture Copyright: [WWW.MBSM.PRO](http://WWW.MBSM.PRO)

Refrigerant	Type	Frequency	Voltage	Series	Model	Cooling	Capacity	Input	EER	COP	Test Condition
Btu/hr	Watts	Watts	Btu/W.hr	W/W							
R410A	1piston	50Hz	1 $\Phi$ , 220/240V	GA	GA066P	5,270	1,544	555	9.5	2.78	ASHRAE
GA080P		6,550	1,919	668	9.81	2.87					ASHRAE
GA086P		7,050	2,066	735	9.59	2.81					ASHRAE
GAB	GAB040P	3,130	917	340	9.2	2.7					ASHRAE

GAB042P	3,410	999	355	9.6	2.81	ASHRAE	
GAB048P	3,985	1,168	403	9.9	2.9	ASHRAE	
GAB072P	5,950	1,744	590	10.08	2.95	ASHRAE	
GK	GK086P	6,900	2,022	726	9.5	2.79	ASHRAE
GK094P	7,700	2,256	794	9.7	2.84	ASHRAE	
GK102P	8,250	2,418	841	9.81	2.87	ASHRAE	
GK113P	9,000	2,637	914	9.85	2.89	ASHRAE	
GK120P	9,700	2,842	1,010	9.6	2.81	ASHRAE	
GK141P	11,350	3,326	1,170	9.7	2.84	ASHRAE	
GK151P	12,200	3,575	1,245	9.8	2.87	ASHRAE	
GKS	GKS094P	7,700	2,256	755	10.2	2.99	ASHRAE
GKS108P	8,700	2,549	838	10.38	3.04	ASHRAE	
GKS113P	8,750	2,564	920	9.51	2.79	ASHRAE	
GKS134P	10,900	3,194	1,100	9.91	2.9	ASHRAE	
GKS141P	11,500	3,370	1,116	10.3	3.02	ASHRAE	
GKS151P	12,230	3,584	1,245	9.82	2.88	ASHRAE	
GJ	GJ176P	14,400	4,220	1,485	9.7	2.84	ASHRAE
GJ196P	16,500	4,835	1,705	9.68	2.84	ASHRAE	
GJ208P	17,500	5,128	1,750	10	2.93	ASHRAE	
GJ222P	18,500	5,421	1,867	9.91	2.9	ASHRAE	
GJ230P	19,100	5,597	1,949	9.8	2.87	ASHRAE	



Private Picture Copyright : [WWW.MBSM.PRO](http://WWW.MBSM.PRO)

Mbsm\_dot\_pro\_private\_PDF\_gk113pTélécharger

---

# Compressor, LX110LQJG, Refrigeration freezer, KF-P8903HLP, 1/3HP, 260W, R134A, 180G, Refrigerator Amercain

Category: compressor

written by www.mbsm.pro | 12 December 2021



Private Picture Copyright : WWW.MBSM.PRO

1 Reciprocating & Linear Compressor Compressor Technology for Refrigerator  
2 01 LG Compressor Model Variety In order to offer you a various product portfolio of refrigerator compressor, our range covers constant and inverter of Reciprocating and Linear compressor with low pressure as well as high pressure. It enables to provide you with full support in all application of your needs. Customer Support LG compressors promise to deliver a satisfaction level for all your business stage from research, development to the spec-in that exceeds our customers expectations, and strives to provide the highest value to our customers through a fast, accurate and differentiated service & solution as your

business partner. Technology LG compressors are continuously evolving group of high-precision machining and assembly technologies from accumulated techniques for generating sustainable world best compressor. Especially we are enabling to give our customers technical support in order to provide best performance compressor through design mechanism and produce key technology of compressor, inverter motor and drive that makes you to achieve optimized product. Quality With the product quality and safety evaluation system that performs basic quality and safety evaluation for products at every production stage. Under the quality gate system, all our products undergo a safety check at each quality gate based on a checklist, preventing shipments of products with quality or safety issues. We also have achieved recognition our quality and sustainability from Europe, North America, China and Japan. Why LG Compressor? LG Compressor 01 3 02 LG Compressor LG Compressor 03 Brief History & Factory Milestones & Production Sites China Qinhuangdao (Casting) Tianjin (Rotary, Scroll) Nanjing ( ) Taizhou (Reciprocating) 13 Production Refrigerator Compressor Production Air-conditioner Compressor Production Compressor Division Compressor Sales 100 Million Units Establishment of C&M Business Unit 2011 Korea (HQ) Changwon (Reciprocating, Linear, Rotary, Scroll, ) India Noida (Reciprocating) Thailand Rayong (Rotary)

4 04 LG Compressor LG Compressor 05 Contents Why LG Compressor? Brief History & Factory Reciprocating Compressor – Product Range – Nomenclature – Specification I Constant speed – Specification I Inverter – Specification I Controller – Attached / Detached Controller – Mounting – Packing & Container Stuffing Quantity Linear Compressor – Product Range – Nomenclature – Specification – Wiring Diagram – Accessory Part – Packing & Container Stuffing Quantity 5 08 LG Reciprocating Compressor LG Reciprocating Compressor 09 Nomenclature Product type B : BLDC C : Constant Speed F : Linear Size C : Compact L : Large M : Medium S : Small Generation code (A-Z) B M A 098 N A M V Operating type Rated voltage & frequency Code Voltage Hz Code Voltage Hz A /60 Q 110~ B 50/60 R 110~ C D 60 E ~ S T Code Voltage G RSIR M RSCR F CSIR H CSR K RSIR N RSCR P CSIR R CSR V Inverter 200~ ~ F J 60 U 115~ K M ~240 50/60 L N 115~127 50/60 P Improvement order A, B, C : Cu Wire H, J : Al Wire R134a TS Capacity EER COP TS22LHEG RSIR ~240/ ASHRAE TS22LHAG RSIR 110/ ASHRAE TS24LATG RSIR ~240/ ASHRAE TS24LJJG RSIR / ASHRAE TS24LHJG RSIR / ASHRAE TS24LAAG RSIR 110/ ASHRAE TS24LHAG RSIR 110/ ASHRAE TS24LHTG RSIR ~240/ ASHRAE TS22LHAG RSIR 110/ ASHRAE TS22LHDG RSIR / ASHRAE TS22LHCG RSIR 115/ ASHRAE TS24LADG RSIR / ASHRAE TS24LATG RSIR / ASHRAE TS24LAAG RSIR 100/ ASHRAE TS24LHAG RSIR 110/ ASHRAE TS24LHUG RSIR 115~127/ ASHRAE TS24LAFG RSIR 127/ ASHRAE TS24LBDM RSCR / ASHRAE TS24LACG RSIR 115/ ASHRAE TS24LHDG RSIR / ASHRAE TS24LHTG RSIR / ASHRAE Note 2 : condition Evaporating temperature Condensing temperature Ambient temperature TS Capacity Displacement (ex : 098=9.8cc/rev) Refrigerants L : R134a H : R134a HBP N : R600a 6 10 LG Reciprocating Compressor LG Reciprocating Compressor 11 R134a NS Capacity EER COP NS24LBEG RSIR ~240/ ASHRAE 157 NS24LABG RSIR / ASHRAE 147 NS24LAEG RSIR ~240/ ASHRAE 147 NS24LABG RSIR / ASHRAE 147 NS24LBCG RSIR 115/ ASHRAE 157 NS24LBCM RSCR 115/ ASHRAE 157 NS24LADG RSIR / ASHRAE 147 NS24LACG RSIR 115/ ASHRAE 147 NS30LABG RSIR / ASHRAE 147 NSA24LACG RSIR 115/ ASHRAE 147 NS30LAEG RSIR ~240/ ASHRAE 147 NS30LABG RSIR / ASHRAE 147 NS36LABG RSIR / ASHRAE 157 NS30LACG RSIR 115/ ASHRAE 147 NS30LACM RSCR 115/ ASHRAE 147 NS36LAEG RSIR ~240/ ASHRAE 157 NSA30LACG RSIR 115/ ASHRAE 147 NS36LACG RSIR 115/ ASHRAE 157 NS36LADG RSIR / ASHRAE 157 NS36LADM RSCR / ASHRAE 157 NS36LABG RSIR / ASHRAE 157

NSA36LACG RSIR 115/ ASHRAE 157 R134a CMA Capacity EER COP CMA042LHJG RSIR / ASHRAE 171 CMA042LHDM RSCR / ASHRAE 171 CMA042LHCG RSIR 115/ ASHRAE 171 CMA042LHCM RSCR 115/ ASHRAE 171 CMA042LHUM RSCR 115~127/ ASHRAE 171 CMA053LHEG RSIR ~240/ ASHRAE 171 CMA053LHEM RSCR ~240/ ASHRAE 171 CMA057LHEM RSCR ~240/ ASHRAE 171 CMA057LHEG RSIR ~240/ ASHRAE 171 CMA057LAEM RSCR ~240/ ASHRAE 171 CMA053LHDG RSIR / ASHRAE 171 CMA053LHCG RSIR 115/ ASHRAE 171 CMA053LHCM RSCR 115/ ASHRAE 171 CMA062LHEG RSIR ~240/ ASHRAE 171 CMA062LHEM RSCR ~240/ ASHRAE 171 CMA069LAEM RSCR ~240/ ASHRAE 171 CMA069LBEM RSCR ~240/ ASHRAE 171 CMA069LHEM RSCR ~240/ ASHRAE 171 CMA075LHDM RSCR / ASHRAE 171 Note 2 : condition Evaporating temperature Condensing temperature Ambient temperature Note 2 : condition Evaporating temperature Condensing temperature Ambient temperature NS CMA

7 12 LG Reciprocating Compressor LG Reciprocating Compressor 13 R134a MA Capacity EER COP MA42LPJG RSIR / ASHRAE 172 MA42LMJM RSCR / ASHRAE 172 MA42LMJG RSIR / ASHRAE 172 MA42LHJM RSCR / ASHRAE 172 MA45LDJG RSIR / ASHRAE 172 MA45LCJG RSIR / ASHRAE 172 MA45LJJM RSCR / ASHRAE 172 MA45LHJM RSCR / ASHRAE 172 MA53LABM RSCR / ASHRAE 172 MA53LATG RSIR ~240/ ASHRAE 172 MA53LAJM RSCR / ASHRAE 172 MA53LJJG RSIR / ASHRAE 172 MA53LBJG RSIR / ASHRAE 172 MA53LAJG RSIR / ASHRAE 172 MA53LAEG(AL) RSIR ~240/ ASHRAE 180 MA53LAEM(AL) RSCR ~240/ ASHRAE 180 MA57LBJG RSIR / ASHRAE 172 MA57LABM RSCR / ASHRAE 180 MA57LAEG RSIR ~240/ ASHRAE 172 MA57LAEM(AL) RSCR ~240/ ASHRAE 180 MA57LBEG(AL) RSIR ~240/ ASHRAE 180 MA57LBJG RSIR / ASHRAE 177 MA57LJJG RSIR / ASHRAE 177 MA53LHEM RSCR ~240/ ASHRAE 172 MA57LDJM RSCR / ASHRAE 177 MA53LBCG RSIR 115/ ASHRAE 172 MA53LBCM RSCR 115/ ASHRAE 172 MA62LCEG RSIR ~240/ ASHRAE 180 MA62LCEM RSCR ~240/ ASHRAE 180 MA62LDEG RSIR ~240/ ASHRAE 172 MA53LAUG RSIR 115~127/ ASHRAE 172 MA62LBJG RSIR / ASHRAE 177 MA62LJJG RSIR / ASHRAE 177 MA62LDJM RSCR / ASHRAE 177 MA62LBEG RSIR ~240/ ASHRAE 177 MA62LCEG RSIR ~240/ ASHRAE 177 MA53LADG RSIR / ASHRAE 172 MA53LADM RSCR / ASHRAE 172 MA53LCCM RSCR 115/ ASHRAE 172 MA53LABM RSCR / ASHRAE 172 MA69LKEM RSCR ~240/ ASHRAE 177 MA69LJEG RSIR ~240/ ASHRAE 177 MA69LJEP CSIR ~240/ ASHRAE 177 MA69LHEM RSCR ~240/ ASHRAE 177 MA69LHEG RSIR ~240/ ASHRAE 177 R134a MA / MC MA MC LQ Capacity EER COP MA69LHEP CSIR ~240/ ASHRAE 177 MA57LADM RSCR / ASHRAE 180 MA57LABM RSCR / ASHRAE 180 MA69LDEG RSIR ~240/ ASHRAE 172 MA69LCEG RSIR ~240/ ASHRAE 180 MA69LCEM RSCR ~240/ ASHRAE 180 MA69LAEM RSCR ~240/ ASHRAE 177 MA72LBJG RSIR / ASHRAE 177 MA72LHEM RSCR ~240/ ASHRAE 177 MA72LKEM RSCR ~240/ ASHRAE 177 MA72LBEM RSCR ~240/ ASHRAE 177 MA72LJEP CSIR ~240/ ASHRAE 177 MA72LJEG RSIR ~240/ ASHRAE 177 MA72LHEG RSIR ~240/ ASHRAE 177 MA88LAEP CSIR ~240/ ASHRAE 177 MA98LAEM RSCR ~240/ ASHRAE 182 MC53LBEM RSCR ~240/ ASHRAE 172 MC57LAEM RSCR ~240/ ASHRAE 177 MC57LBEM RSCR ~240/ ASHRAE 177 MA57LBJM RSCR / ASHRAE 177 LQ75LAEM RSCR ~240/ ASHRAE 203 LQ86LAEM RSCR ~240/ ASHRAE 203 Remark LQ69LAUM RSCR 115~127/ ASHRAE 203 E-PTC LQ69LAUM RSCR 115~127/ ASHRAE 203 LQ69LAUH RSCR 115~127/ ASHRAE 203 E-PTC LQ69LADM RSCR / ASHRAE 203 LQ75LAUM RSCR 115~127/ ASHRAE 203 E-PTC LQ100LAJH CSR / ASHRAE 203 LQ86LADM RSCR / ASHRAE 203 Note 2 : condition Evaporating temperature Condensing temperature Ambient temperature LQ

8 14 LG Reciprocating Compressor LG Reciprocating Compressor 15 R134a LX Capacity EER COP LX67LABM RSCR / ASHRAE 200 LX67LHBM RSCR / ASHRAE 203 LX72LATG RSIR ~240/ ASHRAE 200 LX72LBEG RSIR ~240/ ASHRAE 200 LX72LAAM RSCR 110/ ASHRAE 200 LX72LATF CSIR ~240/ ASHRAE 200 LX72LATH CSR ~240/ ASHRAE 200 LX72LAEM RSCR ~240/ ASHRAE 200 LX72LHJH CSR / ASHRAE 203 LX72LHJM RSCR / ASHRAE 203 LX72LHJF CSIR / ASHRAE 203 LX67LAQG RSIR 100~115/ ASHRAE 200 LX86LABM RSCR / ASHRAE 203

LX86LBEG RSIR ~240/ ASHRAE 200 LX86LBEF CSIR ~240/ ASHRAE 200 LX86LCEG RSIR  
~240/ ASHRAE 203 LX86LHEM RSCR ~240/ ASHRAE 203 LX86LHJF CSIR / ASHRAE 203  
LX67LABM RSCR / ASHRAE 200 LX67LAFM RSCR 127/ ASHRAE 200 LX67LHBM RSCR / ASHRAE  
203 LX86LPBP CSIR / ASHRAE 203 LX86LAEG RSIR ~240/ ASHRAE 203 LX72LATG RSIR /  
ASHRAE 200 LX72LBQG RSIR 100~115/ ASHRAE 200 LX72LAAM RSCR 110/ ASHRAE 200  
LX72LATF CSIR / ASHRAE 200 LX72LATH CSR / ASHRAE 200 LX72LHQB CSIR 100~115/  
ASHRAE 203 LX95LAAH CSR 110/ ASHRAE 203 LX95LABH CSR / ASHRAE 203 LX86LACM RSCR  
115/ ASHRAE 203 LX86LAQM RSCR 100~115/ ASHRAE 203 LX86LPBP CSIR / ASHRAE 203  
LX86LADM RSCR / ASHRAE 203 LX86LABM RSCR / ASHRAE 203 LX86LPDP CSIR / ASHRAE 200  
LX110LAJH CSR /50 2 1, ASHRAE 203 LX110LAJM RSCR /50 2 1, ASHRAE 203 LX110LAEH  
CSR ~240/50 2 1, ASHRAE 203 LX110LAEM RSCR ~240/50 2 1, ASHRAE 203 LX R134a LX 1  
Capacity EER COP LX110LAAH CSR 110/50 2 1, ASHRAE 203 LX110LQJG RSIR /50 2 1,  
ASHRAE 200 LX110LHJH CSR /50 2 1, ASHRAE 203 LX110LAJM RSCR / , ASHRAE 203  
LX95LAAH CSR 110/ , ASHRAE 203 LX95LADH CSR / , ASHRAE 203 LX95LABH CSR / ,  
ASHRAE 203 LX95LBQH CSR 100~115/ , ASHRAE 203 LX95LAFH CSR 127/ , ASHRAE 203  
LX95LAQH CSR 100~115/ , ASHRAE 203 LX110LAAH CSR 110/ , ASHRAE 203 LX110LPDP  
CSIR / , ASHRAE 203 LX125LAJM RSCR / , ASHRAE 203 Note 2 : condition Evaporating  
temperature Condensing temperature Ambient temperature  
9 16 LG Reciprocating Compressor LG Reciprocating Compressor 17 R600a NS CSA  
Capacity EER COP NS36NAAG RSIR 110/ ASHRAE 157 NS36NAAG RSIR 110/ ASHRAE 157  
NSA43NACM RSCR 115/ ASHRAE 157 NSA43NACG RSIR 115/ ASHRAE 157 CSA043NHEG RSIR  
~240/ ASHRAE 167 CSA043NHAG RSIR 110/ ASHRAE 167 CSA047NHEG RSIR ~240/ ASHRAE  
167 CSA043NHAG RSIR 110/ ASHRAE 167 CSA053NHEG RSIR ~240/ ASHRAE 167 CSA057NHEG  
RSIR ~240/ ASHRAE 167 CSA057NJEG RSIR ~240/ ASHRAE 157 CSA062NHAG RSIR 110/  
ASHRAE 167 CSA062NHEG RSIR ~240/ ASHRAE 167 CSA057NHCG RSIR 115/ ASHRAE 167  
CSA069NHAG RSIR 110/ ASHRAE 167 CSA069NHEG RSIR ~240/ ASHRAE 167 CSA062NHAG RSIR  
110/ ASHRAE 167 CSA075NJEG RSIR ~240/ ASHRAE 157 CSA075NHEG RSIR ~240/ ASHRAE  
167 CSA075NHEM RSCR ~240/ ASHRAE 167 CSA069NHCG RSIR 115/ ASHRAE 167 CSA069NHAG  
RSIR 110/ ASHRAE 167 CSA075NHCG RSIR 115/ ASHRAE 167 R600a CMA Capacity EER COP  
Remark CMA057NAAG RSIR 110/ ASHRAE 171 CMA057NAEM RSCR ~240/ ASHRAE 171  
CMA057NAEM RSCR ~240/ ASHRAE 171 E-PTC CMA057NHEM RSCR ~240/ ASHRAE 171  
CMA057NHEM RSCR ~240/ ASHRAE 171 E-PTC CMA062NAEM RSCR ~240/ ASHRAE 171  
CMA062NAEM RSCR ~240/ ASHRAE 171 E-PTC CMA062NHEM RSCR ~240/ ASHRAE 171  
CMA062NHEM RSCR ~240/ ASHRAE 171 E-PTC CMA057NAAG RSIR 110/ ASHRAE 171  
CMA069NJEM RSCR ~240/ ASHRAE 171 CMA069NAEM RSCR ~240/ ASHRAE 171 CMA069NAEM  
RSCR ~240/ ASHRAE 171 E-PTC CMA069NHEM RSCR ~240/ ASHRAE 171 CMA069NHEM RSCR  
~240/ ASHRAE 171 E-PTC CMA069NHAM RSCR 110/ ASHRAE 171 CMA075NAEM RSCR ~240/  
ASHRAE 171 CMA075NAEM RSCR ~240/ ASHRAE 171 E-PTC CMA075NHEM RSCR ~240/ ASHRAE  
171 CMA075NHEM RSCR ~240/ ASHRAE 171 E-PTC CMA075NHAM RSCR 110/ ASHRAE 171  
CMA069NHAM RSCR 110/ ASHRAE 171 CMA082NHEM RSCR ~240/ ASHRAE 171 CMA082NHEM RSCR  
~240/ ASHRAE 171 E-PTC CMA082NJEG RSIR ~240/ ASHRAE 171 CMA082NAEM RSCR ~240/  
ASHRAE 171 Note 2 : condition Evaporating temperature Condensing temperature  
Ambient temperature Note 2 : condition Evaporating temperature Condensing  
temperature Ambient temperature NS / MSA / CSA CMA  
10 18 LG Reciprocating Compressor LG Reciprocating Compressor 19 R600a CMA  
Capacity EER COP Remark CMA082NAEM RSCR ~240/ ASHRAE 171 E-PTC CMA089NHEM RSCR  
~240/ ASHRAE 171 CMA089NHEM RSCR ~240/ ASHRAE 171 E-PTC CMA089NJEG RSIR ~240/  
ASHRAE 171 CMA075NHAM RSCR 110/ ASHRAE 171 CMA089NAEM RSCR ~240/ ASHRAE 171  
CMA089NAEM RSCR ~240/ ASHRAE 171 E-PTC CMA089NBEM RSCR ~240/ ASHRAE 171  
CMA098NJEM RSCR ~240/ ASHRAE 171 CMA098NAEM RSCR ~240/ ASHRAE 171 CMA098NAEM

RSCR ~240/ ASHRAE 171 E-PTC CMA098NJEG RSIR ~240/ ASHRAE 171 CMA098NHEM RSCR  
~240/ ASHRAE 171 CMA098NHEM RSCR ~240/ ASHRAE 171 E-PTC CMA098NJEM RSCR ~240/  
ASHRAE 171 CMA089NHDM RSCR / ASHRAE 171 CMA089NHDM RSCR / ASHRAE 171 E-PTC  
CMA110NAEM RSCR ~240/ ASHRAE 171 CMA110NAEM RSCR ~240/ ASHRAE 171 E-PTC  
CMA110NAEM RSCR ~240/ ASHRAE 171 CMA110NAEM RSCR ~240/ ASHRAE 171 CMA098NARM  
RSCR 110~127/ ASHRAE 171 CMA098NADM RSCR / ASHRAE 171 CMA121NAEM RSCR ~240/  
ASHRAE 171 CMA121NAEM RSCR ~240/ ASHRAE 171 CMA110NADM RSCR / ASHRAE 171 R600a  
MB MQ LQ Capacity EER COP MB62NJEG RSIR ~240/ ASHRAE 172 MB82NAEM RSCR ~240/  
ASHRAE 177 MB82NJEG RSIR ~240/ ASHRAE 177 MB82NJEM RSCR ~240/ ASHRAE 177  
MB98NJEG RSIR ~240/ ASHRAE 177 MQ88NAEM RSCR ~240/ ASHRAE 180 MQ98NAJH CSR /  
ASHRAE 180 MQ98NAEM RSCR ~240/ ASHRAE 180 Remark LQ119NAEM RSCR ~240/ ASHRAE 203  
E-PTC LQ119NAEM RSCR ~240/ ASHRAE 203 LQ125NAEM RSCR ~240/ ASHRAE 203 LQ140NAEM  
RSCR ~240/ ASHRAE 203 LQ119NAQM RSCR 100~115/ ASHRAE 203 LQ140NAEM RSCR ~240/  
ASHRAE 203 LQ140NAEH CSR ~240/ ASHRAE 203 LQ140NAEM RSCR ~240/ ASHRAE 203 E-PTC  
Note 2 : condition Evaporating temperature Condensing temperature Ambient  
temperature Note 2 : condition Evaporating temperature Condensing temperature  
Ambient temperature CMA MB / MQ LQ  
11 20 LG Reciprocating Compressor LG Reciprocating Compressor 21 Application :  
HBP Application : HBP R134a CMA MA Capacity EER COP CMA042HHDM RSCR / , ASHRAE  
161 CMA053HHDM RSCR / , ASHRAE 161 CMA062HAEM RSCR ~240/ , ASHRAE 171 CMA062HHDM  
RSCR / , ASHRAE 171 CMA075HAEM RSCR ~240/ , ASHRAE 171 CMA075HADM RSCR /60 0 2,  
ASHRAE 171 CMA089HADM RSCR / , ASHRAE 171 MA42HJEP CSIR ~240/ , ASHRAE 172  
MA53HJEF CSIR ~240/ , ASHRAE 172 MA53HAEF CSIR ~240/ , ASHRAE 172 MA62HAEG RSIR  
~240/ , ASHRAE 177 MA62HAEF CSIR ~240/ , ASHRAE 177 MA72HAEP CSIR ~240/ , ASHRAE  
177 Note 2 : condition Evaporating temperature Condensing temperature Ambient  
temperature ASHRAE 7.2 C 54.4 C 35 C R134a LX Capacity EER COP LX72HAEP CSIR  
~240/ , ASHRAE 203 LX72HAEG RSIR ~240/ , ASHRAE 203 LX72HPDP CSIR /60 0 2,  
ASHRAE 200 LX86HAEP CSIR ~240/ , ASHRAE 203 LX86HAEG RSIR ~240/50 5 2, ASHRAE  
203 LX86HPDP CSIR / , ASHRAE 200 LX110HAEP CSIR ~240/ ,613 1, ASHRAE 203  
LX110HAEM RSCR ~240/ ,772 1, ASHRAE 203 LX125HPJP CSIR / ,950 1, ASHRAE 203  
LX110HPDP CSIR / ,9 1, ASHRAE 200 LX110HACF CSIR 115/ ,129 1, ASHRAE 203  
LX125HPDP CSIR / ,764 1, ASHRAE 203 Note 2 : condition Evaporating temperature  
Condensing temperature Ambient temperature ASHRAE 7.2 C 54.4 C 35 C CMA MA LX  
[Mbsm\\_dot\\_pro\\_private\\_PDF\\_LX110LQJGTélécharger](#)

# تعويض فن كندانسور





**LG**

**REFRIGERATOR-FREEZER**

**MODEL : KF-P8903HLP**

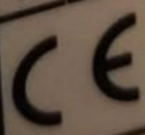
<b>RATING</b>	220V ~ 50Hz
<b>CLIMATE CLASS</b>	T
<b>RATED CURRENT</b>	1.73A
<b>FREEZING CAPACITY</b>	12.0kg/24Hr
<b>DEFROSTING INPUT</b>	260W
<b>RATED INPUT OF HEATER SHEATH</b>	260W
<b>STORAGE/GROSS VOL. TOTAL</b>	538 ℓ / 606 ℓ
<b>-FREEZER COMPARTMENT</b>	173 ℓ / 228 ℓ
<b>-REFRIGERATOR COMPARTMENT</b>	365 ℓ / 378 ℓ
<b>REFRIGERANT</b>	R134a 180g
<b>INSULATION BLOWING GAS</b>	CYCLOPENTANE
<b>DIMENSIONS</b>	894(W)x753(D)x1753(H)mm



910WRKG00805

**MADE IN EUROPE**  
**SERIAL NO.**

TAB34634741





# تعویض پروانه فن



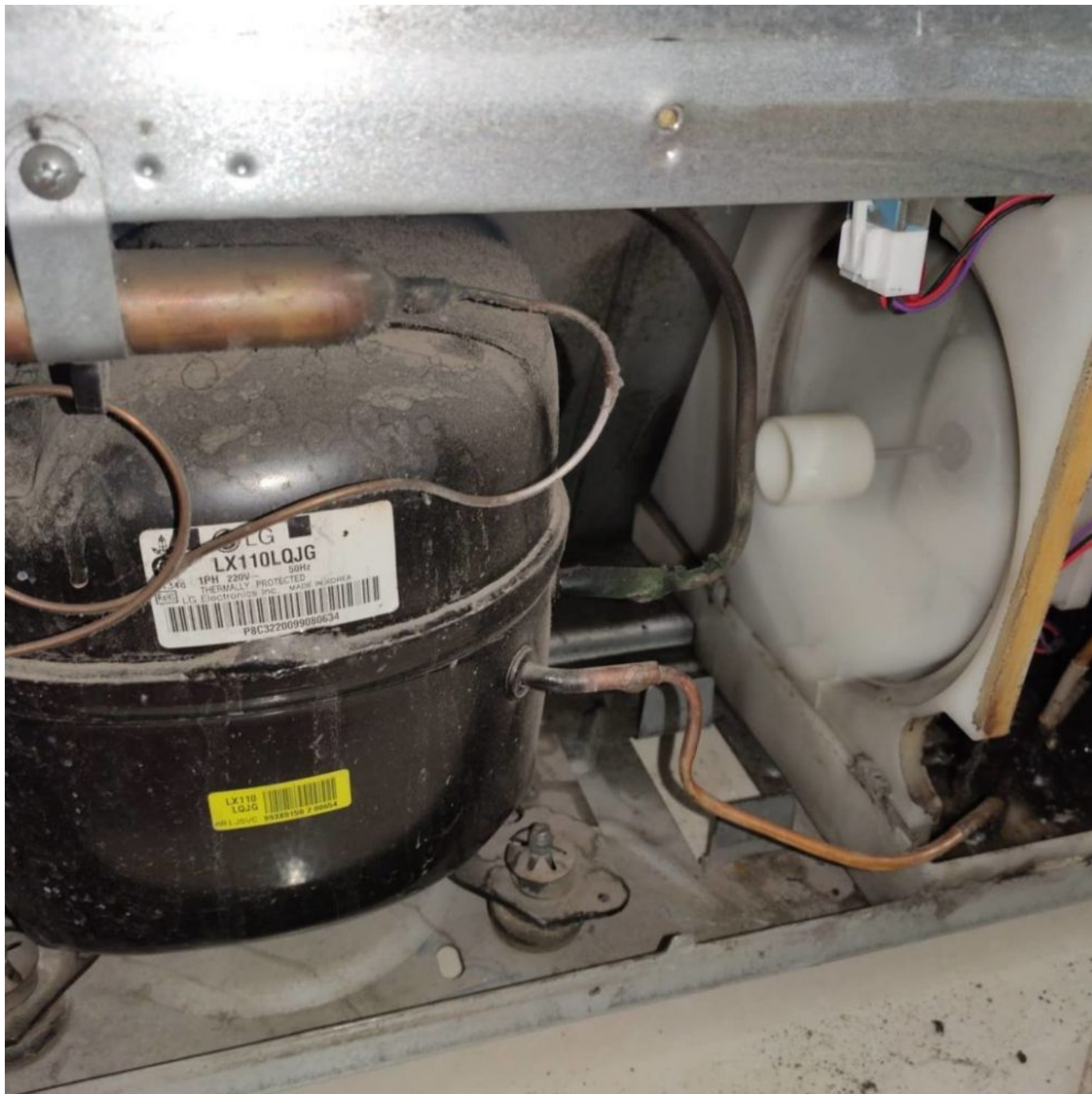
 LG

**LX110LQJG**

R134a 1PH 220V ~ 50Hz  
THERMALLY PROTECTED  
RoHS LG Electronics Inc. MADE IN KOREA



P8C2220101310006



Private Picture Copyright : [WWW.MBSM.PRO](http://WWW.MBSM.PRO)

compressor, R134a, AE4430Y-FZ,  
HERMÉTIQUE-TECUMSEH, 220-240V 50Hz,  
1/4HP++, HMBP, 1/3HP, 337W, AEZ4430Y

Category: compressor

written by [www.mbsm.pro](http://www.mbsm.pro) | 12 December 2021



Private Picture Copyright: [WWW.MBSM.PRO](http://WWW.MBSM.PRO)

Compressor Tecumseh L` Unite AEZ4430Y/AE4430Y, HBP – R134a, 220 – 240V, 50 Hz, 1 phase \*Warning – equivalent goods: AE4430Y will be delivered

Refrigerant: R134a  
Power range(W): 701 – 1000 W

Connecting size: 3/16"  
Suction: 1/4"  
Working area: HBP  
Design type: Hermetic  
Model series: AE  
Use with: Expansion/Capillary  
Power supply: 230 V  
Oil type: POE  
Engine type: CSIR  
Article condition: New  
Info: Oil filled  
Shipping weight: 12,20 Kg  
Contents: 1,00 Pieces  
Dimensions ( height ): 19,90 cm  
customs tariff number: 84143081  
Manufacturer: Tecumseh L` Unite  
Model: AEZ4430Y  
Stroke volume (cm3): 8,8  
Performance condition: +5 / +50 °C  
Power (W): 768  
Engine type: CSIR  
dbA @ 1m: 50  
Note: Fan cooling necessary  
Equipment: Start-Capacitor 50 uF / 250V  
Oil quantity (l): 0,35  
Compressor type: Piston  
Suction (inch): 1/4  
Discharge (inch): 3/16  
Alternative: AE4430Y



Private Picture Copyright: [WWW.MBSM.PRO](http://WWW.MBSM.PRO)

f  
Mbsm\_dot\_pro\_private\_PDF\_AEZ4430YTélécharger  
Compressor Tecumseh L` Unite AE4430Y/AEZ4430Y, HBP - R134a, 220 - 240V, 50 Hz, 1

phase, discharge: 8.02 cm<sup>3</sup>, oil type: POE, oil charge: 280 cm<sup>3</sup>, electrical equipment CSIR, cooling power: 702 W at +5 / +50 °C, connection: suction: 1/4 inch, discharge: 3/16 inch, sound level: 56 dBA, start capacitor: 50uF/250V, expansion device: capillary or with expansion valve, cooling: forced, height: 200 mm, weight: 9.7 kg

							
CODE CD	TYPE	CODE CD	TYPE	CODE CD	TYPE	CODE CD	TYPE
FRD255	ML60TB	FRD696	FRD6CL	VD6063	NB6165GK	BTD2876	AEZ4430Z
FRD137	GP14TB	-	NL11MF	-	NE6210Z	FRD464	CAE4440Y
VD6043	GP12TB	FRD463	FRG11- NL10MF	SOMD1432	NE6187Z	-	-
FRD256	ML80TB	-	NL7MLX	-	NE6181GK	BTD2742	AEZ4440Z
MED2302	MP14TP	-	-	FRD158	T6217GK	FRD443	CAE9470Z
FRD257	ML90TB	-	-	-	NE6210GK	FRD442	CAE4450Z
PLD1803	GL45TB	FRD333	TL5G	-	BP6125H	CHD2658	THB4415Y
ISD1007	MR22FB	FRLD2643	SC21CL	SOMD17676	T2180GK	MED2261	CAJ2440Z
FRD665	MX18FB	FRD271	SC15CL	-	T2168GK	PLD1781	CAJ2428Z
ITD281	ML45TB	-	-	-	NB6144GK	FRD254	AEZ4425Z
VD6041	GL90TB	FRD128	FR10G- NL8.4MF	FRD130	NE6170Z	FRD501	AEZ4430Y
ITD284	MP12TB	-	SC10MLX	FRD144	NE9213GK	INF2116	CAE9460Z
-	GP12FB	FRD463	FR11G	FRD140	NE2121Z	-	AEZ2410Y
FRD695	MS34FB	-	-	FRD467	N2212GK	MARD1027	CAJ2464Z
-	MX16TB	-	SC15MLX	FRD156	T6220GK	VD6062	CAJ9480Z
SOMD17024	MX18TB	BTD2337	SC18MLX	FRD159	T6222GK	FRD444	CAJ9510Z
PLD1805	GL80TB	SOMD10205	FR7.5G- NL7.3MF	-	NE6160Z	FXD1075	AEZ4425Y
-	GL80PB	SOMD10205	FR7.5G- NL7.3MF	-	NE5160Z	-	-
GVD66397	MP12FB	ICD6006	SC12CL	FRLD2524	T2155GK	-	CAE2420Z
PLD1807	GL60TB	FRLD2624	NL6.1MF	IAD1434	NB6144Z	SOMD17679	THB4419Y- THB4422Y
VD6022	GL90AA	-	NLE9F	FRD142	NB2118Z	-	AEZ2380Y

							
CODE CD	TYPE	CODE CD	TYPE	CODE CD	TYPE	CODE CD	TYPE
-	GL40PB	-	-	FRD 135	BF5132H	-	-
MED2303	MX21FB	VD6019	SC18CL	FRD 164	T2178GK	PLD1782	CAJ2432Z
-	MS26FB	-	GS26CLX	FRD 154	NJ2192GK	PLD1784	CAJ2446Z
VD6040	L76TN	-	-	-	NE6181E	-	AEZ4440E
IAD 1475	ML80FB	IAD1448	FR8.5CL	FRD157	NE2125GK	ARD3991	AEZ2415Z
GVD66397	MP12FB	FRD475	SC10CL	FRD146	NE2134GK	-	CAE2417Z- CAE2420Z
GVD19540	ML90FB	FRD475	SC10CL	IAD1426	NEK2134GK	-	CAE2417Z- CAE2420Z
ISD 1007	MR22FB	FRLD2643	SC21CL	IAD1383	T2180GJ	MED2261	CAJ2440Z
FRD257	ML90TB	-	-	FRD 145	NEK6210GK	FRD442	CAE4450Z
ITD284	MP12TB	-	SC12MLX	FRD 144	NE9213GK	INFD2116	CAE9460Z
-	MR22TB	-	GS21MLX	FRD259	NJ9226GK	FRD476	CAJ9513Z
IAD 1384	MS26TB	-	GLS26MLX	IAD 1461	NJ9232GK	ITD955	CAJ4517Z
FRD473	MS34TB	-	GLS34MLX	INFD 1730	NJ9238GK	FRD468	CAJ4519Z
ZDA2548	GX18TB	-	-	FRD131	T6213Z	FRD461	CAE4448Y
IAD 1475	ML80FB	IAD1448	FR8.5CL	IAD1432	NEK2125GK	-	AEZ2415Z
IAD1376	MP14FB	ICD6006	SC12CL	FRD162	NEK2150GK	-	CAE2420Z
ZDA2548	GX18TB	IAD1366	SC18G	FRD 139	T6215Z	-	CAE4461Y
-	GL90PB	FRD128	FR10G- NL8.4MF	-	NE5170Z	-	-
VD6032	L45TN	-	-	FRD 179	NB6152E	-	-
VD6034	L57TN	-	-	-	NB6165E	FGD4617	AEZ4430E
VD6036	L88TN	-	-	-	NE6210E	FGD4604	CAE4450E- CAE9450T

**LOW BACK PRESSURE COMPRESSORS**

Type	COMPRESSOR MODELS	Nominal Power (H.P.)			REFRIGERATION CAPACITY AT 50HZ Rafed 54.5°C Cond Temp (Watts)								VOLTAGE
		t	Refrigerant	Displacement (cm <sup>3</sup> )	Evaporating Temperature								
					Oil charge (cm <sup>3</sup> )	-25°C	-15°C	-10°C	-5°C	0°C	+7.2°C	+15°C	
						t	t	t	t	t	t	t	
PISTON	THB4410Y	1/8	R134a	2.72	250	65.8	74	101	132	170	237	332	220-240V/1/50Hz
	THB4413Y	1/7	R134a	3.58	250	95.3	104	137	178	227	315	436	220-240V/1/50Hz
	THB4415Y	1/6	R134a	4.23	250	117	123	160	206	262	363	502	220-240V/1/50Hz
	THB4419Y	1/5	R134a	5.20	250	132	149	194	251	319	439	602	220-240V/1/50Hz
	THB4422Y	1/5	R134a	6.10	250	176	194	248	315	394	533	717	220-240V/1/50Hz
	AEZ4425Y	1/5	R134a	7.55	450	116	185	260	350	455	635	866	220-240V/1/50Hz
	AEZ4430Y	1/4	R134a	8.85	450	195	245	328	432	558	777	1065	220-240V/1/50Hz
	CAE4440Y	1/3	R134a	12.05	450	236	310	421	561	731	1026	1413	220-240V/1/50Hz
	CAE4448Y	3/7	R134a	14.15	450	344	403	530	693	892	1242	1705	220-240V/1/50Hz
	CAE4456Y	7/16	R134a	16.2	450	381	458	604	787	1009	1396	1904	220-240V/1/50Hz
	CAJ4452Y	3/7	R134a	15.2	887	226	370	528	724	957	1358	1879	220-240V/1/50Hz
	CAJ4461Y	1/2	R134a	18.3	887	370	475	642	856	1115	1569	2168	220-240V/1/50Hz
	TAJ4461Y												400V/3/50Hz
	CAJ4476Y	5/8	R134a	21.75	887	352	536	756	1030	1358	1926	2668	220-240V/1/50Hz
	CAJ4492Y	3/4	R134a	25.95	887	255	584	871	1215	1617	2295	3164	220-240V/1/50Hz
	TAJ4492Y												400V/3/50Hz
	CAJ4511Y	1	R134a	32.7	887	569	878	1227	1654	2160	3026	4148	220-240V/1/50Hz
	TAJ4511Y												400V/3/50Hz
FH4581Y	1-1/2	R134a	53.2	1330	208	1036	1650	2371	3200	4583	6333	220-240V/1/50Hz	
TFH4518Y												400V/3/50Hz	
FH4525Y	2	R134a	74.25	1330	1155	1667	2343	3201	4329	6053	8442	220-240V/1/50Hz	
TFH4525Y												400V/3/50Hz	

Private Picture Copyright : WWW.MBSM.PRO

**Medium Back Pressure Compressor**

**MEDIUM/HIGH BACK PRESSURE COMPRESSORS**

Type	COMPRESSOR MODELS	Nominal Power (H.P.)			REFRIGERATION CAPACITY AT 50HZ Rafed 54.5°C Cond Temp (Watts)						VOLTAGE	
		t	Refrigerant	Displacement (cm <sup>3</sup> )	Evaporating Temperature							
					Oil charge (cm <sup>3</sup> )	-10°C	-5°C	0°C	+7.2°C	+10°C		+15°C
						t	t	t	t	t		t
Rotary	RK 5450Y	1/2	R134a	11.4	414	609	754	935	1260	1407		230V/1/50/60Hz
	TRK 5450Y	1/2	R134a	11.4	414	609	754	935	1260	1407		440V/3/50Hz
	RK 5480Y	2/3	R134a	18.1	430	990	1232	1530	2056	2291		230V/1/50/60Hz
	TRK 5480Y	2/3	R134a	18.1	430	990	1232	1530	2056	2291		440V/3/50Hz
	RK 5512Y	1	R134a	24.4	444	1287	1598	1976	2641	2931		230V/1/50/60Hz
	TRK 5412Y	1	R134a	24.4	444	1287	1598	1976	2641	2931		440V/3/50Hz

Private Picture Copyright : WWW.MBSM.PRO

**MEDIUM/HIGH BACKPRESSURE COMPRESSORS**

TYPE	COMPRESSOR MODELS	Nominal Power (H.P.)	Refrigerant		Motor type	REFRIGERATION CAPACITY AT 50HZ Rafed @54.5°C Cond Temp (Watts)						VOLTAGE
			Displacement (cm <sup>3</sup> )	Oil charge (cm <sup>3</sup> )		Evaporating Temperature						
						-15°C	-9.4°C	-3.9°C	+7.2°C	+10.0°C	+12.8°C	
PISTON	AE3414YS	1/6	R134a	4.49	RSIR	116	159	212	354	398	446	220-240V/1/50Hz
	AE3417YS	1/6	R134a	5.67	RSIR	148	203	270	451	507	568	220-240V/1/50Hz
	AE4425YS	1/5	R134a	7.57	CSIR	221	303	403	673	757	849	220-240V/1/50Hz
	AE4430YS	1/4	R134a	8.85	CSIR	262	358	477	796	896	1003	220-240V/1/50Hz
	AE4440YS	1/3	R134a	12.04	CSIR	346	474	631	1054	1186	1328	220-240V/1/50Hz
	AE4448YS	3/7	R134a	14.17	CSIR	404	553	736	1230	1383	1550	220-240V/1/50Hz

Private Picture Copyright : WWW.MBSM.PRO

**THE NEW TWO GENERATION BRAZIL COMPRESSORS**

TYPE	COMPRESSOR MODELS	Nominal Power (H.P.)	Refrigerant		Motor type	REFRIGERATION CAPACITY AT 50HZ Rafed @54.5°C Cond Temp (Watts)						VOLTAGE		
			Displacement (cm <sup>3</sup> )	Oil charge (cm <sup>3</sup> )		Evaporating Temperature								
						-20°C	-15°C	-10°C	-5°C	0°C	+5°C		+10°C	+15°C
PISTON	AE4425Y-FZ1A	1/5	R134a	6.69	160	237	312	390	479	583	709	863	220-240V/1/50Hz	
	AE4430Y-FZ1A	1/4	R134a	8.02	239	270	352	450	566	702	861	1045	220-240V/1/50Hz	
	AE4440Y-FZ1A	1/3	R134a	10.33	332	369	471	591	733	899	1093	1317	220-240V/1/50Hz	
	AE4450Y-FZ1C	3/8	R134a	13.24	345	478	620	778	957	1163	1402	1680	220-240V/1/50Hz	
	AE4456Y-FZ1C	1/2	R134a	14.51	479	534	682	854	1052	1282	1547	1853	220-240V/1/50Hz	
	AE4460Y-FZ3C	1/2	R134a	15.09	435	561	712	890	1095	1330	1594	1889	220-240V/1/50Hz	

Private Picture Copyright : WWW.MBSM.PRO

**MEDIUM/HIGH BACK PRESSURE COMPRESSORS**

TYPE	COMPRESSOR MODELS	Nominal Power (H.P.)	Refrigerant		Oil charge (cm <sup>3</sup> )	REFRIGERATION CAPACITY AT 50HZ Rafed @54.5°C Cond Temp (Watts)						VOLTAGE	
			Displacement (cm <sup>3</sup> )	Oil charge (cm <sup>3</sup> )		Evaporating Temperature							
						-15°C	-10°C	-5°C	0°C	+5°C	+10°C		+15°C
ROTARY	RGA/HGA4467Z	1/2	R404A	9.50	290	679	847	1047	1283	1557	1872	2231	220-240V/1/50Hz
	BGA/HGA4480Z	2/3	R404A	11.50	290	825	1017	1252	1530	1851	2212	2613	220-240V/1/50Hz
	RGA/HGA4492Z	3/4	R404A	12.50	290	905	1133	1398	1706	2060	2468	2932	220-240V/1/50Hz
	RGA/HGA4512Z	1	R404A	16.10	290	1163	1438	1770	2160	2609	3118	3689	220-240V/1/50Hz
	RGA/HGA4445Y	1/3	R134a	9.50	290	392	493	618	770	954	1173	1430	220-240V/1/50Hz
	RGA/HGA4450Y	2/5	R134a	11.50	290	501	625	778	963	1184	1445	1749	220-240V/1/50Hz
	RGA/HGA4460Y	1/2	R134a	12.70	290	537	677	844	1045	1287	1576	1920	220-240V/1/50Hz
	RGA/HGA4576Y	2/3	R134a	16.10	290	696	870	1086	1349	1662	2030	2457	220-240V/1/50Hz

Private Picture Copyright : WWW.MBSM.PRO

Embraco, Universal, EM45HHR, R134a, Refrigeration Compressor, Low, Medium & High Back Pressure, 1/8hp, Nominal Motor HP, For use with refrigerators, ice makers, frozen food cabinets, frozen food display cases, display windows, 115v

Category: compressor

written by [www.mbsm.pro](http://www.mbsm.pro) | 12 December 2021



Private Picture Copyright: [WWW.MBSM.PRO](http://WWW.MBSM.PRO)

Embraco Universal EM45HHR R134a Refrigeration Compressor. Low, Medium & High Back Pressure. 1/8 Nominal Motor HP. For use with refrigerators, ice makers, frozen food cabinets, frozen food display cases, display windows, etc.

Replaces Embraco EMI40HNR and EM45HNR and Tecumseh AEA3417YXA.

Motor: Resistive Start Inductive Run & Captive Start Inductive Run (RSIR/CSIR)

Evaporating Temperatures: -10°F to 45°F

#### Product Specifications

BTU Capacity HBP:	1775
BTU Capacity LBP & MBP:	420
Horsepower (HP):	1/8

Locked Rotor Amps (LRA): 17.0  
Motor Type: RSIR/CSIR  
Required Refrigerant : R134a  
Skill Level:  
Starting Torque: Normal  
Volts (V): 115

Mbsm\_dot\_pro\_private\_PDF\_EM45HHR-1Télécharger  
Mbsm\_dot\_pro\_private\_PDF\_EM45HHRTélécharger





Private Picture Copyright : [WWW.MBSM.PRO](http://WWW.MBSM.PRO)

GDM-06-LD BLK  
8947049





Private Picture Copyright : [WWW.MBSM.PRO](http://WWW.MBSM.PRO)



ture Copyright : [WWW.MBSM.PRO](http://WWW.MBSM.PRO)



Private Picture Copyright : [WWW.MBSM.PRO](http://WWW.MBSM.PRO)



Private Picture Copyright : [WWW.MBSM.PRO](http://WWW.MBSM.PRO)





**TRUE**

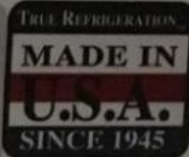
True Manufacturing Co., Inc.  
True Refrigeration  
O'Fallon, MO 63366  
MADE IN THE USA

CABINET  
SERIAL  
NUMBER:

**7966464**



7966464



MODEL: **TUC-24**

DESIGN PRESSURES - PSI (N/cm<sup>2</sup>)

HIGH SIDE **312**

LOW SIDE **140**

REFRIG UNIT:  
**EM45HHR**

CHARGE  
REFRIGERANT: **R134A**

**4 oz. (g)**

HP	VOLTAGE	HZ	PH	F.L. AMPS
1/8	115	60	1	2.5

**BBE**

THIS UNIT LISTED UNDER N.S.F. NO. 7

U.S. PATENT NUMBERS:  
5,553,354/5,433,082/5,699,676  
D273,298/D271,107/5,584,547  
6,792,769



LISTED  
COMMERCIAL  
REFRIGERATION  
TYPE



DO NOT CLEAN LABEL WITH SOLVENT  
**DRL**

Intended for use in rooms  
with an ambient temperature  
of 86 (30C) or less



Private Picture Copyright : [WWW.MBSM.PRO](http://WWW.MBSM.PRO)



Private Picture Copyright : [WWW.MBSM.PRO](http://WWW.MBSM.PRO)

Compressor, r600a, 1/5HP, LBP, 149W, htk12aa, Electrolux, Brandt, 220-240V 50Hz, Run Capacitor: 4.0  $\mu$ F ( 5.0  $\mu$ F as alternative ) , Motor type RSCR/RSIR

Category: compressor

written by [www.mbsm.pro](http://www.mbsm.pro) | 12 December 2021



Private Picture Copyright : [WWW.MBSM.PRO](http://WWW.MBSM.PRO)

compressor/compressor ACC – Electrolux HTK12AA, LBP – R600a, Power consumption 1/5HP++, 220-240V/1/50Hz, Motor type RSIR, Injection: Capillary operation,

Displacement 11.1 cm<sup>3</sup>, Oil type mineral oil, Oil quantity 170 cm<sup>3</sup>, Power 116 W at -25 / +55°C, Power consumption 149 W, Current 0.77, Weight 8.6 Cooling capacity

-10 °C	-15 °C	-20 °C	-25 °C	-30 °C	-35 °C
300	240	188	144	107	78

<b>Shipping Class</b>	Standard
<b>Scope Of Application</b>	LBP
<b>Lieferzeit</b>	2-3 Wochen
<b>Type Of Construction</b>	Piston
<b>Condensation Temperature</b>	55°C
<b>Maker</b>	ACC
<b>Manufacturer No.</b>	HPY12AA
<b>Displacement In Cm<sup>3</sup></b>	11.1
<b>Measuring Requirements</b>	Ashrae
<b>Refrigerants</b>	R600a
<b>Series</b>	HPY
<b>Condensing Units Compressors</b>	Compressors
<b>Suspense</b>	220-240V
<b>Weight In Kg</b>	12.7

1. Be the first to review this product

[Mbsm\\_dot\\_pro\\_private\\_PDF\\_HTK12AA-1-1Télécharger](#)

[Mbsm\\_dot\\_pro\\_private\\_PDF\\_HTK12aa-1Télécharger](#)



Private Picture Copyright : [WWW.MBSM.PRO](http://WWW.MBSM.PRO)

## Verdichter - Cubigel

R-600a, LBP



Hermetische Verdichter für Kapillarrohrbetrieb.  
Hochleistungs-Verdichter mit Betriebskondensatoren.  
LBP Temperaturbereich -30 °C bis -10 °C.  
Netzspannung 220 - 240 V / 50 Hz.

Artikelnr.	Typ	Leistung (PS)	Kälteleistung [W] T <sub>e</sub> -25 °C, T <sub>k</sub> +45 °C	
				-25
47-32 HQY45AA	HQY 45 AA	1/12		52
47-32 HQY55AA	HQY 55 AA	1/9		62
47-32 HQY70AA	HQY 70 AA	1/8		80
47-32 HQY80AA	HQY 80 AA	1/7		99
47-32 HQY90AA	HQY 90 AA	1/7		109
47-32 HQY99AA	HQY 99 AA	1/6		119
47-32 HPY12AA	HPY 12 AA	1/5		144
47-32 HPY14AA	HPY 14 AA	1/5		166
47-32 HPY16AA	HPY 16 AA	1/4		181

**Gesamtkatalog jetzt anfordern unter [info@kaeltepartner.net](mailto:info@kaeltepartner.net)!**

 **Hinweis: Bilder Können vom Produkt abweichen**

Private Picture Copyright: [WWW.MBSM.PRO](http://WWW.MBSM.PRO)

Compressor, FLB075LBNA, LG-Original  
New Linear Refrigerator Compressor,  
LG-compressor, Inverter 0~220V 53Hz,  
R134a(165g), LSXC22386, LSXC22326,  
LSXC22336, 1/4HP

Category: compressor

written by [www.mbsm.pro](http://www.mbsm.pro) | 12 December 2021



FLS075LANA is the new **compressor** model number It replaces these older **LG/Kenmore Elite compressor** versions: FC75LBNA FLA075LANA FLB075LANA **FLB075LBNA**

Compressor Fls075lana\_replacement A: Fla075lana, Flb075lana

Compressor, FLB075LBNA, LG-Original New Linear Refrigerator Compressor, LG-compressor, Inverter 0~220V 53Hz, R134a(165g), LSXC22386, LSXC22326, LSXC22336, 1/4HP

New version LG Compressor part # TCA38091801 & Software Jig TCA35911910

Compressor has a purple decal and red decal on top warning about the software update.

FLS075LANA is the new compressor model number

It replaces these older LG/Kenmore Elite compressor versions:

FC75LBNA

FLA075LANA

FLB075LANA

FLB075LBNA







SEARS BRANDS  
MANAGEMENT CORPORATION  
HOFFMAN ESTATES, IL 60179

HOUSEHOLD REFRIGERATOR/  
REFRIGERATEUR MENAGERE

**MODEL/MODÈLE :**  **795.73153.610**

RATING/CAPACITÉ NOMINALE 115V ~ 60Hz 2.9A

REFRIGERANT/RÉFRIGÉRANT R134a 5.11oz

DEFROSTING INPUT / PUISSANCE ABSORBÉE EN DÉGIVRAGE 360W

POWER INPUT OF DEFROST HEATER /  
PUISSANCE ABSORBÉE DE LA RÉSISTANCE DE DÉGIVRAGE

FREEZER/CONGÉLATEUR 350W

PRODUCTION DATE / DATE DE PRODUCTION 2016.04

DIMENSIONS 35 3/4(W) x 36 1/4(D) x 70 1/4(H) inch

DESIGN PRESSURES/ HIGH SIDE/ CÔTÉ SUPÉRIEUR 400PSI Ga

PRESSION DE DESSIN LOW SIDE/ CÔTÉ INFÉRIEUR 140PSI Ga

SER.No./NO. DE SÉRIE:



**604KR00971**


MADE IN KOREA  
FABRIQUÉ EN CORÉE



For SEARS REPAIR SERVICE  
CALL 1-844-553-6667

AU CANADA POUR SERVICE EN  
FRANÇAIS 1-800-LE-FOYER<sup>MC</sup>

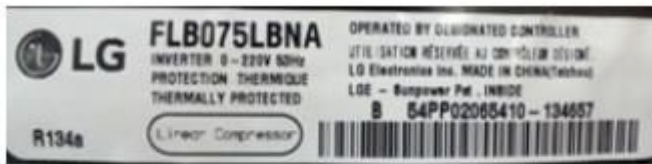
24HOURS A DAY,  
7 DAYS A WEEK FOR SEARS  
REPAIR SERVICE  
LE SERVICE DE REPARATION  
SEARS CANADA  
VINGT-QUATRE HEURES PAR JOUR,  
SEPT JOURS PAR SEMAINE.

TAB37097603 

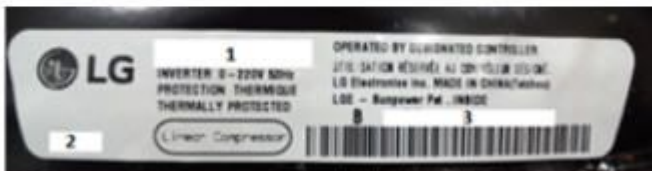




### Name Plate



Size : 90mm X 20mm



## Compressor Label

### 1. Compressor Model

**FLB075LBNA**

- **Series name** -----  
DLF/FA/FB
- **Displacement** -----  
ex)90=9.0 /stroke
- **Application Category** -----  
- L : LBP with R134a  
- H : HBP with R134a  
- N : LBP with R600a
- **Operating Type** -----  
A : A-Inverter  
E : E-Inverter
- **Rated Voltage & Frequency** -----  
- M : 220V 50/60Hz  
- N : 115V 50/60Hz
- **Efficiency version** -----  
A : 1<sup>st</sup> generation  
B : 2<sup>nd</sup> generation

### 2. Refrigerant

### 3. Serial Number

**00 00 9 2003 5 13 0012**

- Buyer Code -----
  - Model Code -----
  - Line -----
  - Year -----
  - Month -----
  - Date -----
  - Serial No. -----
- 1: January    O: October  
~                N: November  
9: September    D: December

Private Picture Copyright : [WWW.MBSM.PRO](http://WWW.MBSM.PRO)

Defrost	End	Auto	
	Evaporation	Forced method	
	Type of heat shield	Cyclo-Pentane	
F-Room	Fixed Shelf	3	
	Drawer	2	
R-Room	Fixed Shelf	4	
	Shelf(Movable, Folding)	-	
	Egg container	-	
Vegetable room		2	
Freezing cycle	Compressor driving method	A Logic Inverter operation	
	Evaporation	Pin tube type	
	Condenser	Forced convection method	
	F-Room oil	Freol Alpha5 oil(175cc)	
	Type of refrigerant	<b>R134a(165g)</b>	
	Capillary tube	Φ 0.7/0.9	
Dryer (drying tube)	MOLECULAR SIEVE XH-9		
Electrical parts	Initial defrost	4~5 hours (vary depending on condition)	
		Defrost cycle	9~11 hours (vary depending on condition)
		Rest time	3 Min
		Defrost sensor	Returend to defrost function when reaching to 5°C.
		Temp.fuse (rated/ operation temperature)	250V / 72°C
		Heater Sheath	AC 115V / 260W
	Parts related with dewing prevention	Dispenser duct door heater	-
		R-Room home bar heater	120V / 6.5W
		F-Room home bar heater	-
	Dispenser heater	DC 12V / 2.5W	
Capacitor	Comp' Running	AC 450V / 20 μF	
	l/maker geared motor Running	AC 250V / 14 μF	

Private Picture Copyright : [WWW.MBSM.PRO](http://WWW.MBSM.PRO)