

COMPRESSOR, EMBRACO, 1/4 HP++ (big), 220V, R134A, EGAS 80HLR, FREEZER MOTOR

Category: compressor

written by www.mbsm.pro | 17 December 2021

Technical Specifications

Brand	Embraco
Production place	Brazil
Compressor Type	Hermetic Piston
Compression Line	1/4 "
Working Regime	LBP (-23,3 ° C / + 54,4 ° C)
Frequency (Hz)	50-60
Suction Line	5/16 "
Cooling Capacity (Watts)	195
good kodu	51370117399RA
Compressor Model	EGAS80HLR
Piston Diameter (cm3/rev)	6.36
Tipi Motorcycle	1 FAZ - RSIR
Refrigerant Gas	R134a
Compressor Power(Hp)	1/4 +



Private Picture Copyright : WWW.MBSM.PRO

#mbsmpro

TECHNICAL SPECIFICATIONS

- Voltage: 220V 50 / 60Hz
- Refrigerant: R-134A
- Evaporation temperature range: -35 ° C to -10 ° C
- Power: 1/4 +

[Mbsm_dot_pro_private_PDF_pdf_embraco-compressor-egas-80-hlr](#)Télécharger

Technical Specifications

Brand	Embraco
Production place	Brazil
Compressor Type	Hermetic Piston
Compression Line	1/4 "
Working Regime	LBP (-23,3 °C / + 54,4 °C)
Frequency (Hz)	50-60
Suction Line	5/16 "
Cooling Capacity (Watts)	195
good kodu	51370117399RA
Compressor Model	EGAS80HLR
Piston Diameter (cm3/rev)	6.36
Tipi Motorcycle	1 FAZ - RSIR
Refrigerant Gas	R134a
Compressor Power(Hp)	1/4 +



Private Picture Copyright : WWW.MBSM.PRO

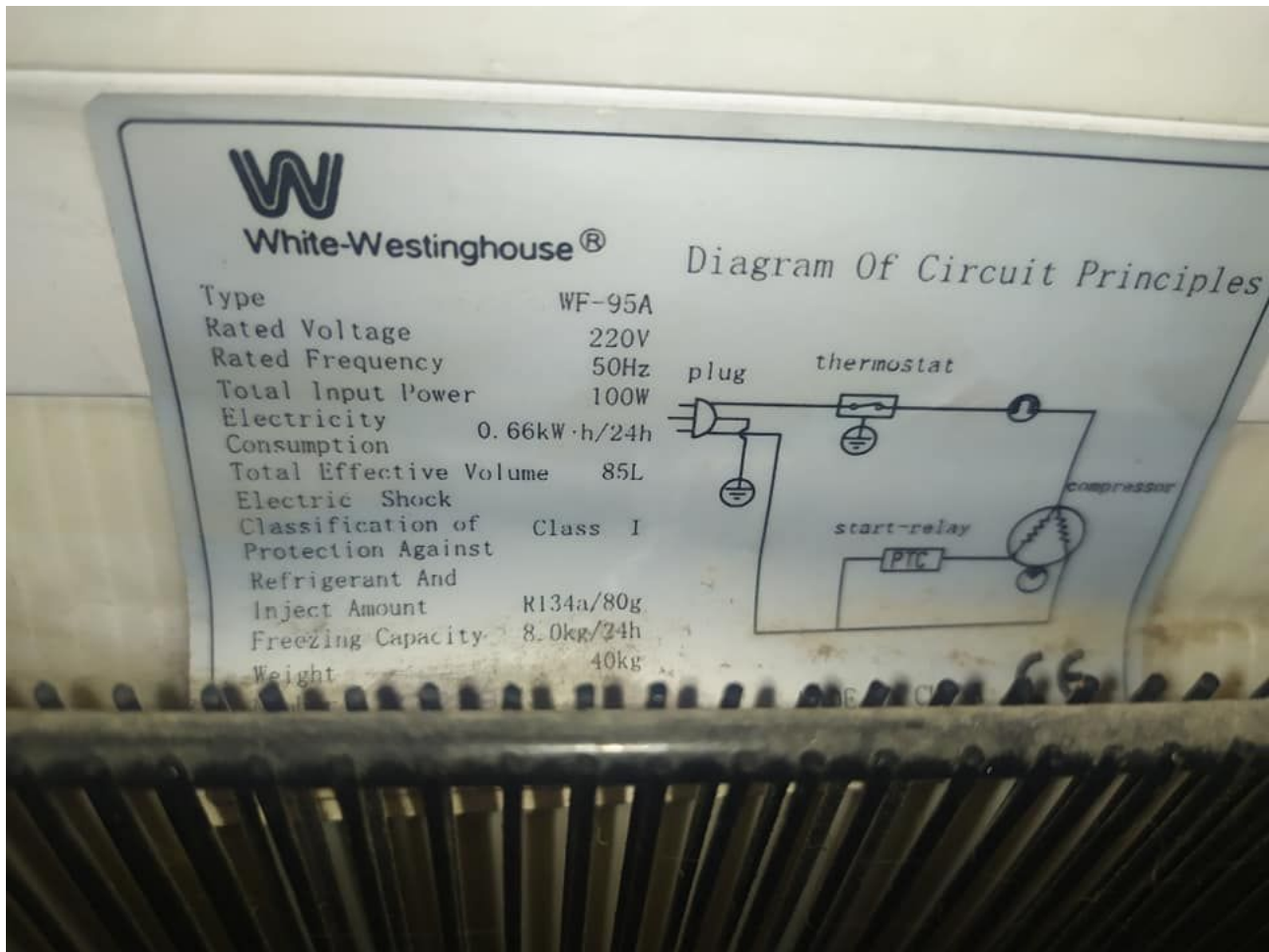


Private Picture Copyright : WWW.MBSM.PRO

Panasonic, refrigerator, compressor, SB48C95GAW5, 110w, White-Westinghouse refrigerator, 220v, 50 Hz, 85L, R134A/80G, 1/6 Hp

Category: compressor

written by www.mbsm.pro | 17 December 2021

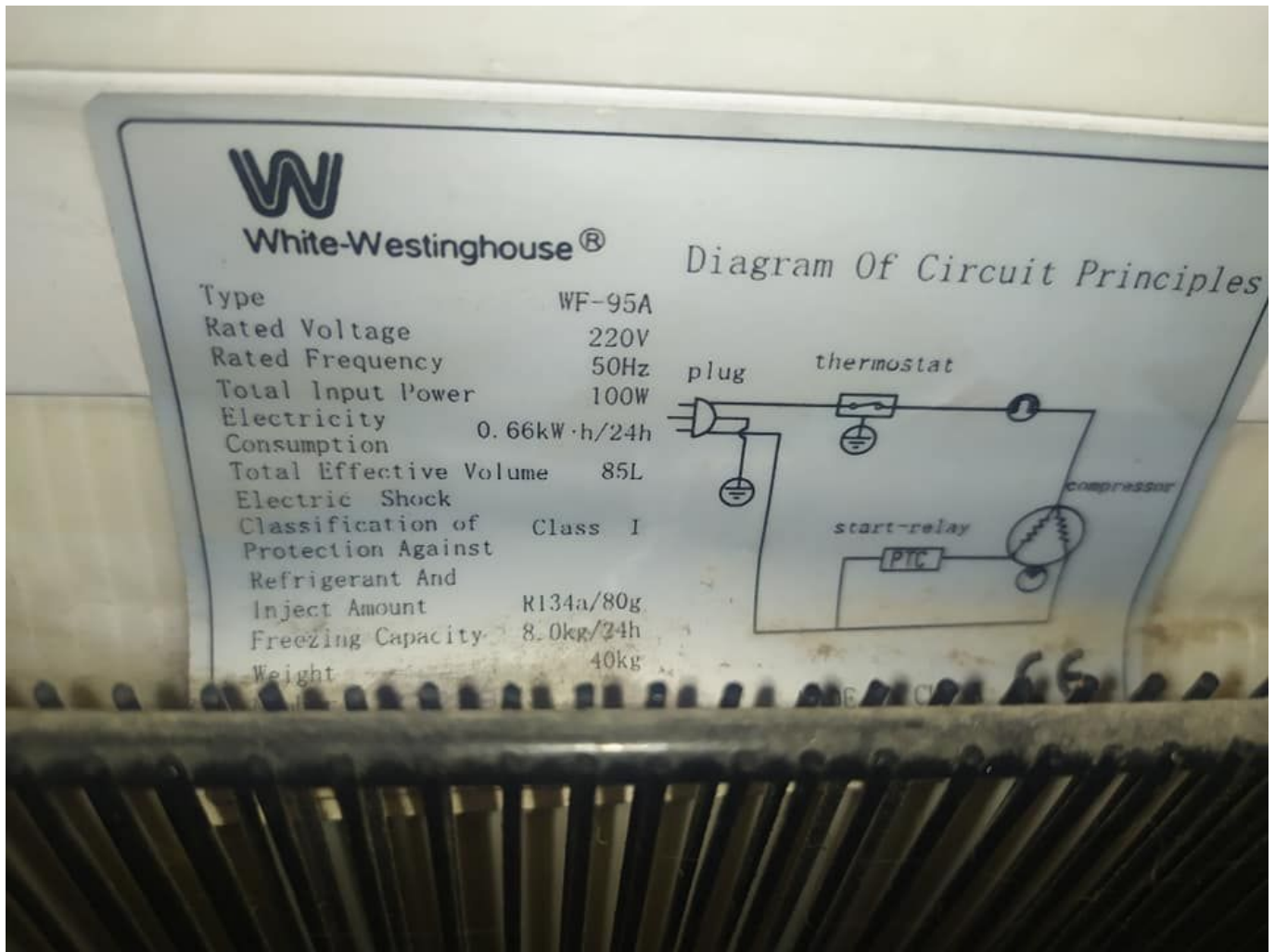


Private Picture Copyright : WWW.MBSM.PRO

Specification

Item	Performance characteristics
Refrigerant	R134a
Displacement (cm ³)	4.8
Voltage (V)	220/240
Frequency (Hz)	50
Motor Type	RSIR
Capacity@ASHRAE	110
COP@ASHRAE	1.03/0.99
Capacity@CECOMAF	—
COP@CECOMAF	—





Private Picture Copyright : WWW.MBSM.PRO

Mbsm_dot_pro_private_PDF_SB48C95GAW5Télécharger

Compresseur, Danfoss, SC15G, R134a, 1/2HP, 50/60Hz

Category: compressor

written by www.mbsm.pro | 17 December 2021

Design

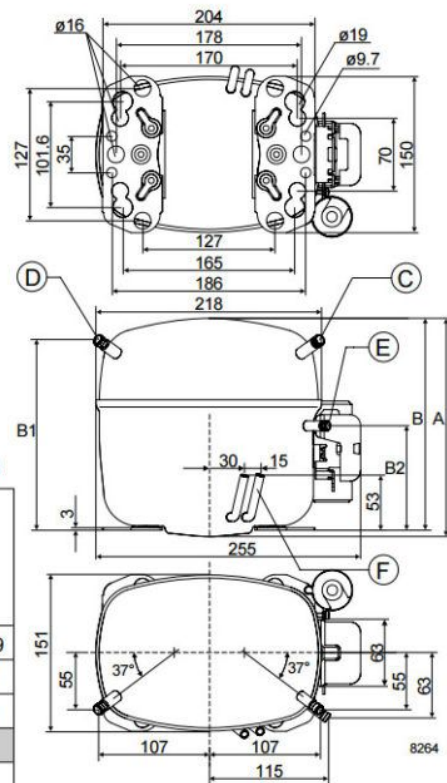
Displacement	cm ³	15.28
Oil quantity	cm ³	600 (550 on comp. with oil cooler)
Maximum refrigerant charge	g	1300
Free gas vol. in compressor	cm ³	1410
Weight without electrical equipment	kg	13.1

Motor

Motor size	watt	385
LRA (rated after 4 sec. UL984) HST	A	14.8
Cut-in current HST	A	14.8
Resistance, main and start winding (25°C)	Ω	5.0/13.7
Approvals		EN 60335-2-34

Dimensions

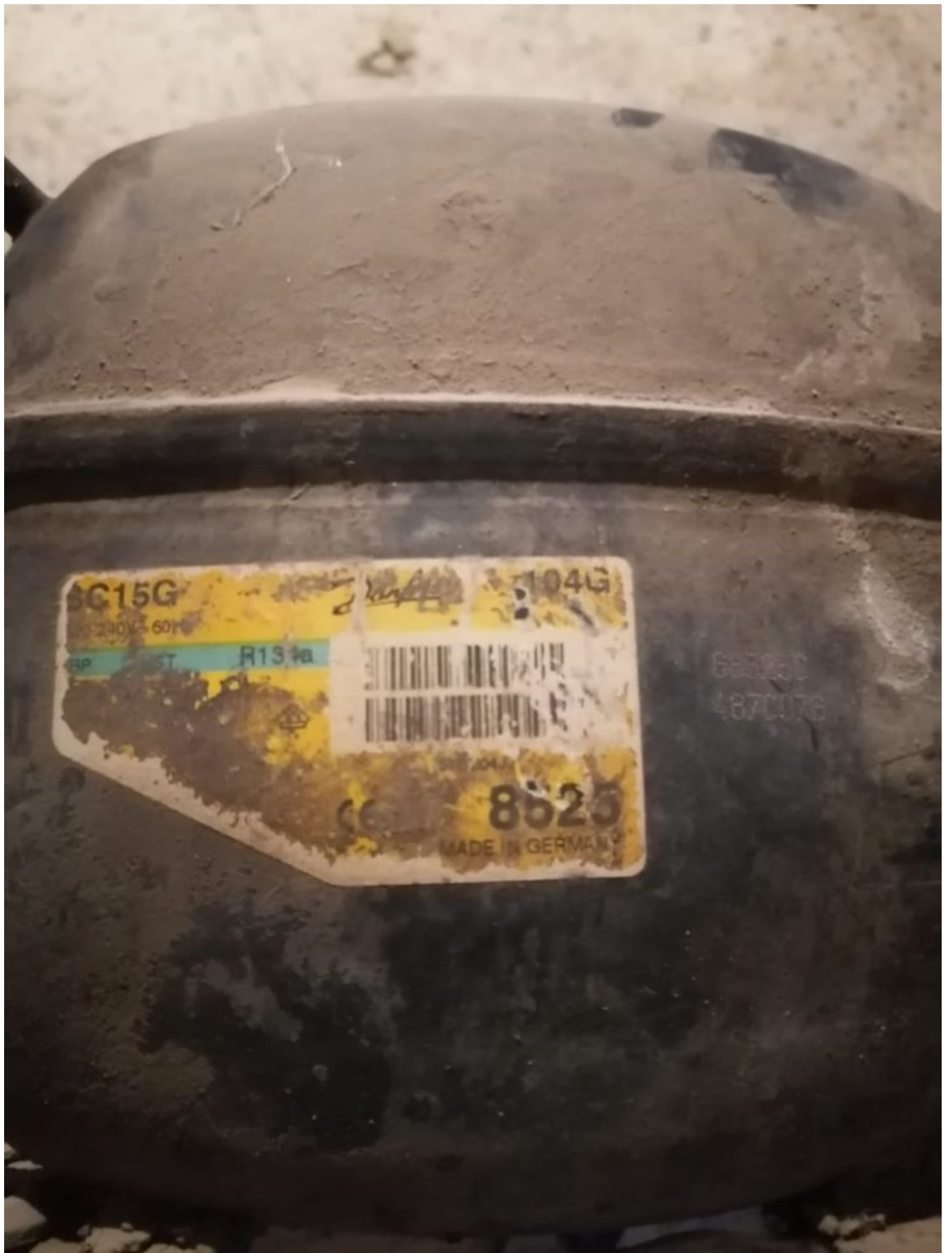
		104G8530	104G8520	104G8525
Height	mm	A	209	
		B	203	
		B1	183	
		B2	100	
Suction connector	location/I.D. mm	C	10.2 ±0.09	10.2 ±0.09
Process connector	location/I.D. mm	D	6.2 ±0.09	6.2 ±0.09
Discharge connector	location/I.D. mm	E	6.2 ±0.09	6.5 ±0.09
Oil cooler	location/I.D. mm	F	6.2 ±0.09	
Compressors on a pallet	pcs.		80	



Private Picture Copyright : WWW.MBSM.PRO

Données techniques

- Modèle: **SC15G**
- Gaz: **R-134a**
- Température/Pression: **Moyenne / Haute**
- Puissance: **1/2 HP**
- Voltage: **230 V**
- Type De Courant: **Monophasé**
- Fréquence: **50/60 Hz**
- Type De Compresseur: **Hermétique**
- Décalage: **15.28 cm³**
- Cons.Énergie -25°C: **233 W**
- Cons.Énergie -10°C: **440 W**
- Cons.Énergie -5°C: **497 W**
- Cons.Énergie 0°C: **549 W**
- Cons.Énergie +5°C: **595 W**
- Cons.Énergie +7,2°C: **613 W**
- T° De Condensation: **55 °C**
- Capacité Frigorífica -25°C: **175 Kcal/h**
- Capacité Frigorífica -20°C: **308 Kcal/h**
- Capacité Frigorífica -15°C: **450 Kcal/h**
- Capacité Frigorífica -10°C: **604 Kcal/h**
- Capacité Frigorífica -5°C: **775 Kcal/h**
- Capacité Frigorífica 0°C: **966 Kcal/h**
- Capacité Frigorífica 5°C: **1184 Kcal/h**
- Capacité Frigorífica 7.2°C: **1289 Kcal/h**
- Capacité Frigorífica 10°C: **1431 Kcal/h**
- Tipo Test: **Ashare 32**



Design

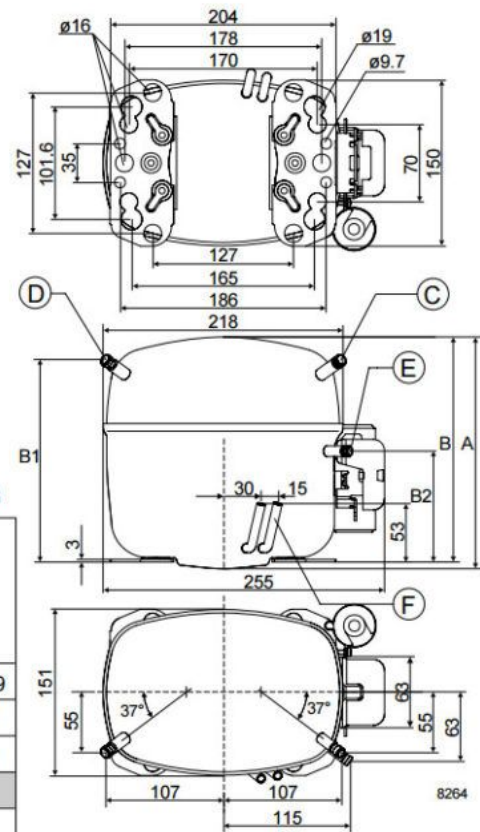
Displacement	cm ³	15.28
Oil quantity	cm ³	600 (550 on comp. with oil cooler)
Maximum refrigerant charge	g	1300
Free gas vol. in compressor	cm ³	1410
Weight without electrical equipment	kg	13.1

Motor

Motor size	watt	385
LRA (rated after 4 sec. UL984) HST	A	14.8
Cut-in current HST	A	14.8
Resistance, main and start winding (25°C)	Ω	5.0/13.7
Approvals		EN 60335-2-34

Dimensions

		104G8530	104G8520	104G8525
Height	mm	A	209	
		B	203	
		B1	183	
		B2	100	
Suction connector	location/l.D. mm	C	10.2 ±0.09	10.2 ±0.09
Process connector	location/l.D. mm	D	6.2 ±0.09	6.2 ±0.09
Discharge connector	location/l.D. mm	E	6.2 ±0.09	6.5 ±0.09
Oil cooler	location/l.D. mm	F	6.2 ±0.09	
Compressors on a pallet	pcs.		80	



Private Picture Copyright : WWW.MBSM.PRO

Mbsm_dot_pro_private_PDF_sc15gTélécharger

Mbsm_dot_pro_private_PDF_sc15g_104g7560_r134a_115v_60hz_01-2020_desd404o322Télécharger

Mbsm_dot_pro_private_PDF_sc15g_104g8526_r134a_220v_60hz_01-2020_desd403j302Télécharger

QD35HG, 1/11 HP, 220V, SIKELAN, R134a, mini congélateur, petit bar réfrigérateur, réfrigérateur distributeur, refroidisseur d'eau, série L, RSIR, 75 w

Category: compressor

written by www.mbsm.pro | 17 December 2021



Private Picture Copyright : WWW.MBSM.PRO



Private Picture Copyright : WWW.MBSM.PRO

1. Product Performance

- 1) QD35HG, série L , utilisez le réfrigérant R134A;

- 2) Application de tension 220V à 240V;
- 3) Fréquence pour 50 / 60HZ;
- 4) Type de moteur: RSIR;
- 5) Type de refroidissement: ST;
- 6) Le dispositif de démarrage est le relais PTC;
- 7) Application: basse contre-pression;
- 8) La puissance nominale est de 1 / 11HP;
- 9) Le COP est de 1,05 avec une capacité de refroidissement de 75 W.

Selon les conditions de test (ASHRAE)

Température d'évaporation: -23,3 degrés

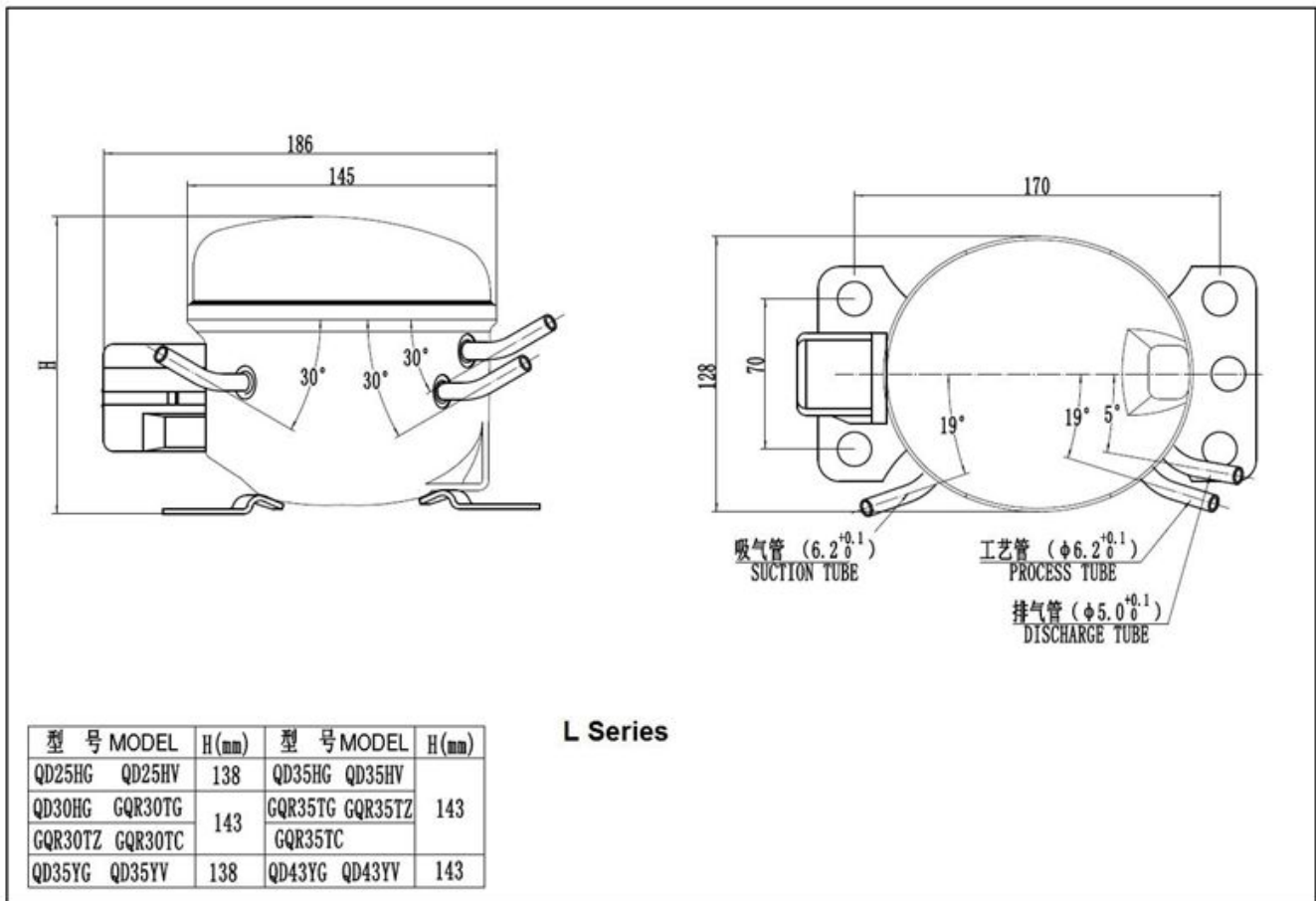
Température ambiante: 32,2 degrés

Température de sous-refroidissement: 32,2 degrés

Température de condensation: 54,4 degrés

Température d'aspiration: 32,2 degrés

Serial	Model	HP	V/Hz	Dispt (cm ³)	Cooling Capacity (ASHRAE)						Motor type	Starting Device	Starting capacitor (uF)	Running capacitor (uF)	Cooling Type
					Test Conditions: -23.3°C (-10°F)										
					Capacity (W)	Capacity (Btu/h)	Input Power (W)	Current (A)	COP	EER					
L	QD25HG	1/12	220-240V/50-60Hz	2.5	55	188	52	0.55	1.05	3.61	RSIR	PTC Starting Relay	/	/	ST
	QD30HG	1/12		3.0	65	222	62	0.63	1.05	3.58	RSIR		/	/	ST
	QD35HG	1/11		3.5	75	256	71	0.68	1.05	3.60	RSIR		/	/	ST
	ADW43	1/6-		4.3	110	375	100	1.0	1.1	3.75	RSIR		/	/	ST
	ADW51	1/6		5.1	125	427	104	1.1	1.2	4.10	RSIR		/	/	ST
	ADW57	1/5-		5.7	135	461	112	1.15	1.2	4.11	RSIR		/	/	ST
MS	ADW43	1/6-		4.3	110	375	100	1.0	1.1	3.75	RSIR	PTC/Current Starting Relay	/	/	ST
	ADW51	1/6		5.1	125	427	104	1.1	1.2	4.10	RSIR		/	/	ST
	ADW57	1/5-		5.7	135	461	112	1.15	1.2	4.11	RSIR		/	/	ST
	ADW66	1/4-		6.6	165	563	132	1.2	1.25	4.27	RSIR		/	/	ST
	ADW77	1/4		7.7	185	631	148	1.4	1.25	4.27	RSIR		/	/	ST
	ADW86	1/4+		8.6	200	682	160	1.45	1.25	4.27	RSIR		/	/	ST
	ADW91	1/3-		9.1	220	751	176	1.65	1.25	4.27	RSIR		/	/	ST
MK	ADW66	1/4-		6.6	165	563	132	1.2	1.25	4.27	RSIR	Current Starting Relay	/	/	ST
	ADW77	1/4		7.7	185	631	148	1.4	1.25	4.27	RSIR		/	/	ST
	ADW86	1/4+		8.6	200	682	160	1.45	1.25	4.27	RSIR		/	/	ST
	ADW91	1/3-		9.1	220	751	176	1.65	1.25	4.27	RSIR		/	/	ST
	ADW110	3/8		11.0	270	921	215	2.05	1.25	4.28	RSIR		/	/	F
	ADW91	1/3-		9.1	220	751	176	1.65	1.25	4.27	RSIR		/	/	F
WQ	ADW110	3/8		11.0	270	921	215	2.05	1.25	4.28	RSIR	Current Starting Relay	/	/	F
	ADW128	3/8+	12.8	320	1092	256	2.3	1.25	4.27	CSIR	80		/	F	
	ADW142	1/2-	14.2	350	1194	280	2.6	1.25	4.27	CSIR	80		/	F	
	ADW153	1/2	15.3	380	1297	304	2.8	1.25	4.27	CSIR	80		/	F	



Private Picture Copyright: WWW.MBSM.PRO

1. Product Performance

- 1) QD35HG, série L, utilisez le réfrigérant R134A;
- 2) Application de tension 220V à 240V;
- 3) Fréquence pour 50 / 60HZ;
- 4) Type de moteur: RSIR;
- 5) Type de refroidissement: ST;
- 6) Le dispositif de démarrage est le relais PTC;
- 7) Application: basse contre-pression;
- 8) La puissance nominale est de 1/11 HP;
- 9) Le COP est de 1,05 avec une capacité de refroidissement de 75 W.

Ce modèle a passé les certificats CB / VDE et les personnages principaux comme ci-dessous

- 1) Petite taille;
- 2) haute efficacité et fiabilité;
- 3) faible bruit et vibration;
- 4) appliqué au mini réfrigérateur, au distributeur d'eau, etc.

basé sur la condition d'essai (ASHRAE)

- température d'évaporation: -23,3 degrés
- Température ambiante: 32,2 degrés
- Température de sous-refroidissement: 32,2 degrés
- Température de condensation: 54,4 degrés
- Température d'aspiration: 32,2 degrés

2. Spécifications du compresseur

En série	Modèle	Tension / Fréquence (V / Hz)	Déplacement (cm ³)	Capacité de refroidissement ASHRAE										Type de moteur	Dispositif de démarrage	Condensateur de démarrage (uF)	Condensateur de fonctionnement (uF)	Type de refroidissement				
				-35 ° C (-31F)			-30 ° C (-22F)			-25 ° C (-13F)			Conditions d'essai: -23,3 ° C (-10F)									
				W	Btu / h	Btu / h	W	Btu / h	Btu / h	W	Btu / h	Btu / h	W						Btu / h	Btu / h	W	Btu / h
L	QD25HG1/12	2,5	25	85	33	11342	14355	188	52	0,55	1,053,6169	235	86	293	107365	134457	168	573	RSIR	/	/	ST
	QD30HG1/12	3,0	30	10239	13350	17165	222	62	0,63	1,053,5881	276	102348	127433	159543	198	676	781	RSIR	/	/	ST	
	QD35HG1/11	3,5	34	11644	15058	19875	256	71	0,68	1,053,6094	321	117399	147502	183624	229	781	781	RSIR	/	/	ST	
	ADW43 1/6	4,3	50	17165	22285	290110	375	100	1,0	1,1	3,75138471	172587	215734	269918	336	1146	336	RSIR	Relais de démarrage PTC	/	/	ST
	ADW51 1/6	5,1	57	19474	25296	328125	427	104	1,1	1,2	4,10156532	195665	244833	3051041382	1303	3051041382	1303	RSIR	/	/	ST	
	ADW57 1/5	5,7	62	21280	273104355135	461	112	1,15	1,2	4,11170580	211720	264901	3301126412	1406	3301126412	1406	RSIR	/	/	ST		
	ADW43 1/6	4,3	50	17165	22285	290110	375	100	1,0	1,1	3,75138471	172587	215734	269918	336	1146	336	RSIR	/	/	ST	
	ADW51 1/6	5,1	57	19474	25296	328125	427	104	1,1	1,2	4,10156532	195665	244833	3051041382	1303	3051041382	1303	RSIR	/	/	ST	
	ADW57 1/5	5,7	62	21280	273104355135	461	112	1,15	1,2	4,11170580	211720	264901	3301126412	1406	3301126412	1406	RSIR	/	/	ST		
SP	ADW66 1/4	6,6	75	25698	334127433165	563	132	1,2	1,2	1,254,27206703	258880	32210994031375504	1720	1720	1720	1720	RSIR	/	/	ST		
	ADW77 1/4	7,7	84	287109372142485185	631	148	1,4	1,4	1,4	1,254,27231788	289986	36112324521542565	1928	1928	1928	1928	RSIR	/	/	ST		
	ADW86 +	8,6	91	3101184031154525200	682	160	1,45	1,45	1,45	1,254,27250853	313106839113344881665610	2081	2081	2081	2081	2081	RSIR	/	/	ST		
	ADW91 1/3	9,1	100341130444169577220	751	176	1,65	1,65	1,65	1,65	1,254,27275938	344117443014675371832671	2289	2289	2289	2289	2289	RSIR	/	/	ST		
	ADW43 1/6	4,3	50	17165	22285	290110	375	100	1,0	1,1	3,75138471	172587	215734	269918	336	1146	336	RSIR	/	/	ST	
	ADW51 1/6	5,1	57	19474	25296	328125	427	104	1,1	1,2	4,10156532	195665	244833	3051041382	1303	3051041382	1303	RSIR	Relais de démarrage PTC / courant	/	/	ST
LM	ADW57 1/5	5,7	62	21280	273104355135	461	112	1,15	1,2	4,11170580	211720	264901	3301126412	1406	3301126412	1406	RSIR	/	/	ST		
	ADW66 1/4	6,6	75	25698	334127433165	563	132	1,2	1,2	1,254,27206703	258880	32210994031375504	1720	1720	1720	1720	RSIR	/	/	ST		
	ADW77 1/4	7,7	84	287109372142485185	631	148	1,4	1,4	1,4	1,254,27231788	289986	36112324521542565	1928	1928	1928	1928	RSIR	/	/	ST		
	ADW66 1/4	6,6	75	25698	334127433165	563	132	1,2	1,2	1,254,27206703	258880	32210994031375504	1720	1720	1720	1720	RSIR	/	/	ST		
	ADW77 1/4	7,7	84	287109372142485185	631	148	1,4	1,4	1,4	1,254,27231788	289986	36112324521542565	1928	1928	1928	1928	RSIR	/	/	ST		
MK	ADW86 +	8,6	91	3101184031154525200	682	160	1,45	1,45	1,45	1,254,27250853	313106839113344881665610	2081	2081	2081	2081	2081	RSIR	/	/	ST		
	ADW91 1/3	9,1	100341130444169577220	751	176	1,65	1,65	1,65	1,65	1,254,27275938	344117443014675371832671	2289	2289	2289	2289	2289	RSIR	/	/	ST		
	ADW1103/8	11,0	123420160546208710270	921	215	2,05	2,05	2,05	2,05	1,254,283381153422144052717986592249824	2811	2811	2811	2811	2811	2811	RSIR	/	/	F		
	ADW91 1/3	9,1	100341130444169577220	751	176	1,65	1,65	1,65	1,65	1,254,27275938	344117443014675371832671	2289	2289	2289	2289	2289	RSIR	/	/	F		
	ADW1103/8	11,0	123420160546208710270	921	215	2,05	2,05	2,05	2,05	1,254,283381153422144052717986592249824	2811	2811	2811	2811	2811	2811	RSIR	/	/	F		
WQ	ADW128 3/8	12,8	146498189645246839320	1092	256	2,3	2,3	2,3	2,3	1,254,274001365500170662521337812665977	3334	3334	3334	3334	3334	3334	CSIR	Relais de démarrage actuel	80	/	F	
	ADW142 1/2	14,2	159543207706269918350	1194	280	2,6	2,6	2,6	2,6	1,254,27438149454718666842334855291710683644	3334	3334	3334	3334	3334	3334	CSIR	/	80	/	F	
	ADW1531/2	15,3	17359022576829996380	1297	304	2,8	2,8	2,8	2,8	1,254,27475162159420277422532828282511603958	3334	3334	3334	3334	3334	3334	CSIR	/	80	/	F	



GMCC, PE50h1f-9, Compressor, RSCR, 220V-240V-50hz, R134A, LBP, 153W, 1/5HP

Category: compressor

written by www.mbsm.pro | 17 December 2021

E	PE35E1F-9	3.5	ST	RSCR	220V-50Hz	95	1.50	CB	AJ	174
	PE40E1H-9	4.0	ST	RSCR	220V-50Hz	115	1.40	----	AJ	175
	PE45E1F-9	4.5	ST	RSCR	220V-50Hz	120	1.50	----	AJ	175
	PE50E1H-9	5.0	ST	RSCR	220V-50Hz	136	1.40	----	AJ	175
	SE25E1R-9	2.5	ST	RSIR	220V-50Hz	55	1.00	----	AJ	165
	SE30E1M-9	3.0	ST	RSIR	220V-50Hz	75	1.15	CB	AJ	165
	SE35E1M-9	3.5	ST	RSIR	220V-50Hz	95	1.30	----	AJ	165
	SE40E1H-9	4.0	ST	RSIR	220V-50Hz	108	1.35	CB	AJ	174
	SE40E1K-9	4.0	ST	RSIR	220V-50Hz	108	1.25	CB	AJ	165
	SE45E1J-9	4.5	ST	RSIR	220V-50Hz	120	1.35	CB	AJ	174
	SE50E1H-9	5.0	ST	RSIR	220V-50Hz	160	1.38	----	AJ	174
H	PE40H1C-9	4.0	ST	RSCR	220V-50Hz	110	1.65	----	AJ	178
	PE45H1F-9	4.5	ST	RSCR	220V-50Hz	130	1.50	CB	AJ	178
	PE50H1C-9	5.0	ST	RSCR	220V-50Hz	153	1.63	CB	AJ	178
	PE50H1F-9	5.0	ST	RSCR	220V-50Hz	153	1.50	----	AJ	178
	PE55H1D-9	5.5	ST	RSCR	220V-50Hz	170	1.60	----	AJ	178
	PE55H1F-9	5.5	ST	RSCR	220V-50Hz	163	1.55	CB	AJ	178
PE55H1C-9	6.5	ST	RSCR	220V-50Hz	190	1.65	----	AJ	178	





GMCC

THERMALLY
PROTECTED
R134a

PE50H1F-9

220V-240V~50Hz, 1Ph

RoHS



612000531B4SVL1LMD

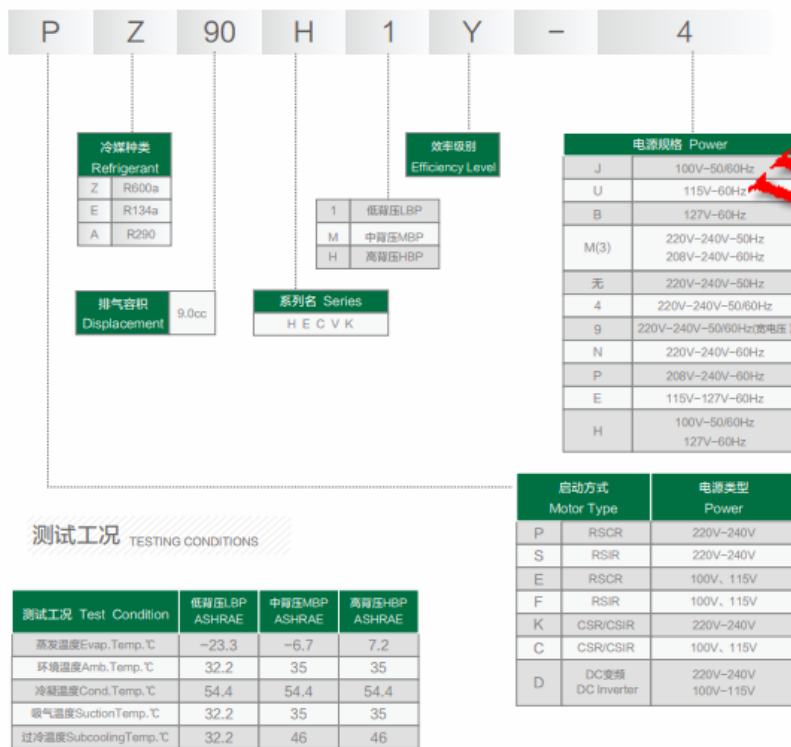


ANHUI MEIZHI COMPRESSOR CO., LTD

E	PE35E1F-9	3.5	ST	RSCR	220V-50Hz	95	1.50	CB	AI	174
	PE40E1H-9	4.0	ST	RSCR	220V-50Hz	115	1.40	---	AI	175
	PE45E1F-9	4.5	ST	RSCR	220V-50Hz	120	1.50	---	AI	175
	PE50E1H-9	5.0	ST	RSCR	220V-50Hz	136	1.40	---	AI	175
	SE25E1R-9	2.5	ST	RSIR	220V-50Hz	55	1.00	---	AI	165
	SE30E1M-9	3.0	ST	RSIR	220V-50Hz	75	1.15	CB	AI	165
	SE35E1M-9	3.5	ST	RSIR	220V-50Hz	95	1.30	---	AI	165
	SE40E1H-9	4.0	ST	RSIR	220V-50Hz	108	1.35	CB	AI	174
	SE40E1K-9	4.0	ST	RSIR	220V-50Hz	108	1.25	CB	AI	165
	SE45E1J-9	4.5	ST	RSIR	220V-50Hz	120	1.35	CB	AI	174
H	PE59E1H-9	5.9	ST	RSIR	220V-50Hz	160	1.38	---	AI	174
	PE40H1C-9	4.0	ST	RSCR	220V-50Hz	110	1.65	---	AI	178
	PE45H1F-9	4.5	ST	RSCR	220V-50Hz	130	1.50	CB	AI	178
	PE50H1C-9	5.0	ST	RSCR	220V-50Hz	153	1.63	CB	AI	178
	PE50H1F-9	5.0	ST	RSCR	220V-50Hz	153	1.50	---	AI	178
	PE55H1D-9	5.5	ST	RSCR	220V-50Hz	170	1.60	---	AI	178
	PE55H1F-9	5.5	ST	RSCR	220V-50Hz	163	1.55	CB	AI	178
PE65H1C-9	6.5	ST	RSCR	220V-50Hz	190	1.65	---	AI	178	



Private Picture Copyright : WWW.MBSM.PRO



Private Picture Copyright : WWW.MBSM.PRO

Mbsm_dot_pro_private_PDF_pe50h1f-9Télécharger
Mbsm_dot_pro_private_PDF_pe50h1f-9-2Télécharger
Mbsm_dot_pro_private_PDF_pe50h1f-9-3Télécharger

HUAYI , COMPRESSOR , HYE55YL63 , 1/6 Hp

, 129Kcal ,R134a, 220V ,LBP

Category: Technologie,Tester ok
written by www.mbsm.pro | 17 December 2021



Picture5 Mbsm Dot Pro : www.mbsm.pro

HUAYI ,COMPRESSOR , HYE55YL63 ,1/6 Hp , 129Kcal ,R134a, 220V ,LBP

mbsm.pro , Compresseur Aspera , Embraco ,NEK2168GK , R404a/R507 , LBP ,3/4 HP,nominal output: 707 W

Category: Technologie,Tester ok
written by www.mbsm.pro | 17 December 2021



Picture5 Mbsm Dot Pro : www.mbsm.pro

EMBRACO is a company specialized in cooling solutions and world leader in the hermetic compressor market. Our mission: provide innovative solutions for a better quality of life, always attentive to technological excellence and sustainability. Technological leadership, operational excellence and sustainability are some of the pillars which ensure the EMBRACO differential over other companies in the world market. Its products are now considered the favorite leading home appliance manufacturers by major automakers and are spotlighted by manufacturers of commercial refrigeration equipment. With global operations and production capacity exceeding 34 million units a year, the company offers solutions that are differentiated for their innovation and low energy

consumption. Its 11.500 employees work in factories and offices located in Brazil (headquarters), China, Italy, Slovakia, Mexico, the United States and Russia. Energy efficiency is constantly sought in the processes, products and relationships with the communities where it operates. Our company is the absolute leader in this segment, being able to offer products that meet the most restrictive international standards regarding energy consumption. As a worldwide leader, EMBRACO tries to anticipate market changes, and in doing so, our company is in a state of permanent transformation. We continuously assess our processes in order to maintain our leadership within the industry and promote growth, without forgetting the pillars of our organization.

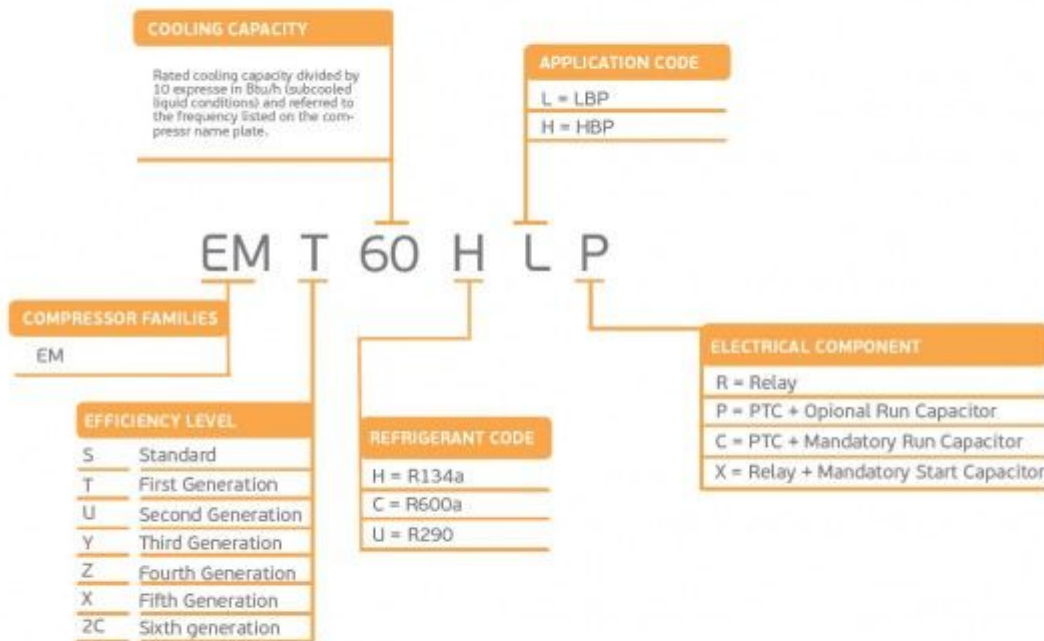
Compressor ASPERA NEK2168GK | NEK 2168 GK

Refrigerant	R404/R507
Working range[stC] LBP	-40 to -10
Nominal capacity [W] (evaporating temperature -23,3C, Condensing temperatur +54,4C)	688
Power supply	220-240V 50Hz
Engine type	CSIR
Displacement [cm³]	14,28
Weight [kg]	11,6
Evaporating temperature +55 C	

Evaporating Temperature	Cooling Capacity +/-5%	Power Consumption +/-5%	Current Consumption +/-5%	Gas Flow Rate +/-5%	Efficiency +/-7%			
°C	(kcal/h)	(W)	(Btu/h)	(W)	(A)	(kg/h)	(kcal/Wh)	(W/W)
-40	226	263	897	370	3,46	6,01	0,61	0,71
-35	309	359	1.224	435	3,57	8,22	0,71	0,82
-30	413	481	1.640	506	3,73	11,06	0,82	0,95
-25	541	629	2.146	584	3,95	14,52	0,93	1,08
-20	691	803	2.740	668	4,21	18,64	1,03	1,20
-15	863	1.004	3.424	759	4,53	23,43	1,14	1,32
-10	1.058	1.230	4.197	856	4,90	28,92	1,24	1,44

Refrigerant: R404A, R507

		R404A / R507							
		LBP	VOLT. FREQ.	COOL. CAP. [W]	DISPL. [cc]	MBP	VOLT. FREQ.	COOL. CAP. [W]	DISPL. [cc]
NE NEK	NEK2117GK	A	125	4,51	NEK6144GK	A	550	4,51	
	NEK2121GK	A	151	5,44	NEK6165GK	A	743	6,20	
	NEK2125GK	A	182	6,20	NEK6181GK	A	841	7,28	
	NEK2130GK	A	213	7,37	NEK6210GK	A / N	1.005	8,77	
	NEK2134GK	A / N	248	8,77	NEK6213GK	A	1.337	12,11	
	NEK2150GK	A	329	12,11	NEK6217GK	A / N	1.164	14,28	
	NEK2168GK	A	378	14,28					
	NEK2172GK	C	819	16,80					



embraco **NEK**



R404A

LBP

PictureS Mbsm Dot Pro : www.mbsm.pro



Picture5 Mbsm Dot Pro : www.mbsm.pro

mbsm.pro , Compresseur Aspera , Embraco NEK2168GK , R404A , LBP ,3/4 HP
Compresseur hermetique de Aspera – Embraco NEK2168GK – R404A
3/4 HP
220-240V 50 Hz
Cylindrée = 14.3 CM3
APPLICATIONS = LBP
Moteur type: CSR

**Mbsm.pro , Compresseur Aspera ,
Embraco NT6220Z , R134a ,power 3/4
Hp, displacement 22.40 cc , gas R134a
HMBP , 220/240V**

Category: Solutions,Tester ok
written by www.mbsm.pro | 17 December 2021



Picture5 Mbsm Dot Pro : www.mbsm.pro

Mbsm.pro , Compresseur Aspera , Embraco NT6220Z , R134a ,power 3/4 Hp,
displacement 22.40 cc , gas R134a HMBP , 220/240V

Compresseur hermetique de Aspera – Embraco NT6220Z – R134a
3/4 HP

220V 50Hz 1~

Cylindrée = 22.37 CM3

APPLICATIONS = HBP

Moteur type: CSIR

EMBRACO Asprea Compressor NT6220Z

Technical Details

- 220/240V
- 50Hz
- power 3/4 Hp, displacement 22.40 cc
- gas R134a HMBP
- ASPERA

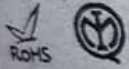
SKU: 3070180

Suitable For/Compatible With

- NT6220Z ASPERA
- NT6220Z-CSIR ASPERA
- NT6220Z EMBRACO
- NT6220Z-CSIR EMBRACO

embraco

NT6220Z



CE

THERMALLY PROTECTED		200 - 240V ~ 50Hz
	R 134a	230V ~ 60Hz
POE. OIL 450CC	1 PH	

MADE IN SLOVAKIA NO START WITHOUT STARTING DEVICE



212CN06

ΓΑ

M13G/TF6

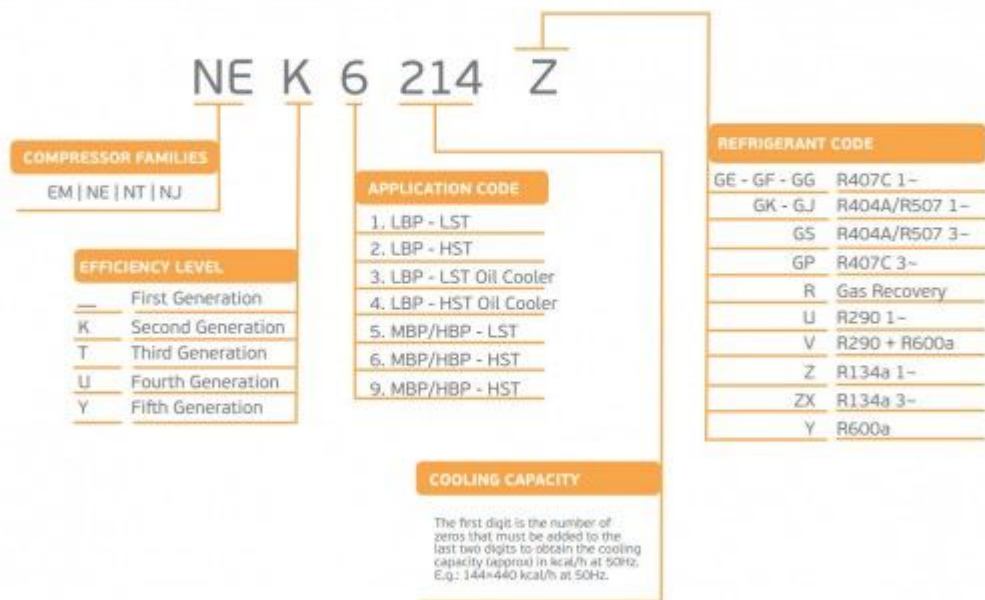
embraco NT



R134a

HBP

EM/NE/NT/NJ



50Hz 50-60Hz	R134a							
	LBP	VOLT. FREQ.	COOL. CAP. [W]	DISPL. [cc]	HBP	VOLT. FREQ.	COOL. CAP. [W]	DISPL. [cc]
NT NTU					NT6215Z	C / N	1.405	17,39
					NT6217Z	A / N	1.619	20,44
					NT6220Z	N	1.744	22,37
					NTU6222ZV	A	2.117	23,70
					NTU6224ZV	A	2.582	27,80

PictureS Mbsm Dot Pro : www.mbsm.pro

Mbsm.pro , China ,Freezer Compressor,
for Small Refrigerator, Mk Series-
Adw66, Adw66, R134A Gas, 220V, 1/4-
HP, 1/5++ hp , 220V, Lbp, Rsir ,
cooling capacity 165W

Category: Solutions,Tester ok
written by Jamila | 17 December 2021

R134A 220/ 50HZ		TECUMSEH		MOTEC		FINLEY		BLUESTAR	
POTENCIA	MOD	COD RM	MOD	COD RM	MOD	COD RM	MOD	COD RM	
1/6 HP	THG1358YS	MT0033	GFM44AA	MT0160	HCF16XL	MT0218	ADW51	MT0098	
1/5 HP	THG1365YS	MT0034	GFF57AA	MT0161	HCF15XL	MT0219	ADW57	MT0149	
1/5+ HP	THG1374YS	MT0035	-	-	-	-	ADW66	MT0090	
1/4 HP	TSB1380YGS	MT0036	GFF66AA	MT0122	HCF14XL	MT0205	ADW91	MT0082	
1/4+ HP	TSB1390YS	MT0037	GFF75AA	MT0123	HCF14-L	MT0204	-	-	
1/3 HP	TCW410YS	MT0038	GFF86AA	MT0120	HCF13XL	MT0206	ADW110	MT0084	
1/3+ HP	TCW413Y	MT0039	GFF93AA	MT0121	HCF13-L	MT0207	ADW128	MT0158	

MOTOCOMPRESORES COMERCIALES

Private Picture Copyright : WWW.MBSM.PRO

Mbsm.pro , China ,Freezer Compressor, for Small Refrigerator, Mk Series-Adw66, Adw66, R134A Gas, 220V, 1/4-HP, 1/5++ hp , 220V, Lbp, Rsr , cooling capacity 165W

Mbsm.pro , L76AV ,Compresseur, 1/5 HP ,149W, R12 ,E80101 ,Zem ,HMBP ,Hermetic piston compressors , 220V/50 , 1PH(phase)

Category: Solutions,Tester ok
written by Jamila | 17 December 2021



PictureS Mbsm Dot Pro : www.mbsm.pro

Mbsm.pro , L76AV ,Compresseur, 1/5 HP ,149W, R12 ,E80101 ,Zem ,HMBP ,Hermetic piston compressors , 220V/50 , 1PH(phase)