

Mbsm.pro, Compressor, Huaguang,
Wanbao, ETZ95, 9.6 cm³, RSCR, 165 w,
563 BTU, r600a, LBP

Category: compressor

written by www.mbsm.pro | 24 March 2024



Mbsm.pro, Compressor, Huaguang, Wanbao, ETZ95, 9.6 cm³, RSCR, 165 w, 563 BTU,
r600a, LBP

Mbsm.pro, DAEW00, Refrigerator-
Freezer, 350 l, FR-3501, AC 220-240V,
0.8 a, 165 w, compressor, 1/5 hp,
R-134a, 85g, HSL25YE-5, lbp, R-134a,
85g

Category: compressor,Freezer,Refrigerator

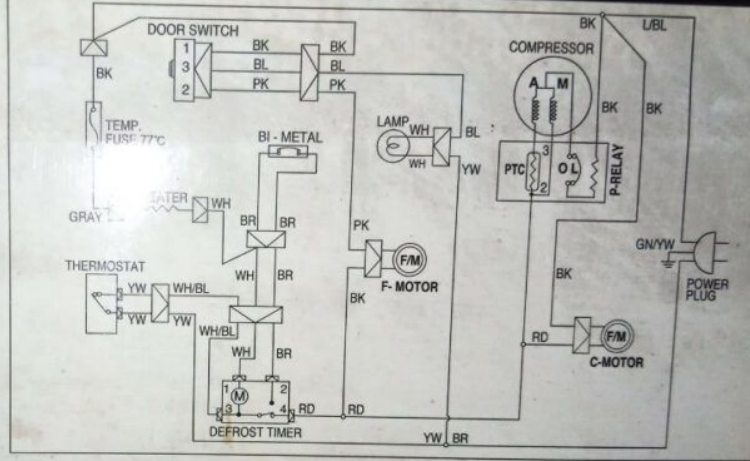
written by www.mbsm.pro | 24 March 2024

DAEWOO ELECTRONICS

Refrigerator-Freezer
FR-3501

RATED VOLTAGE AC 220-240V
RATED FREQUENCY 50Hz
RATED INPUT 0.8A
DEFROSTING INPUT 165W
BLOWING AGENT C-PENTANE
REFRIGERANT R-134a, 85g
RATED MAXIMUM INPUT OF LAMP 15Wx1
CLIMATE CLASS T
NET WEIGHT 60kg
MADE IN KOREA

WIRING DIAGRAM



NOTICE

1. As this refrigerator's condensing pipe is installed beneath the side and rear plates, its surface feels hot but, not abnormal. This condition doesn't hurt cold stored foods.
2. Allow 6 cm or more clearance between wall and side and rear plate of the refrigerator for good fresh air circulation.

CAUTION:

1. Not to reinsert the power supply cord within 5 minutes after release it from socket.

M315-6

Private Picture Copyright : WWW.MBSM.PRO

Mbsm.pro, DAEWOO, Refrigerator-Freezer, 350 l, FR-3501, AC 220-240V, 0.8 a, 165 w, compressor, 1/5 hp, R-134a, 85g, HSL25YE-5, lbp, R-134a, 85g

Excellent, Compressor, GS66AF, 1/6 hp, LBP, r134a, disp 6.6 cm³, 165 w, 1Ph, 220 v/50hz , GS77AF, 1/5 Hp, GS-90TB, 1/3 hp

Category: compressor

written by Amina | 24 March 2024



Private Picture Copyright : WWW.MBSM.PRO

Excellent, Compressor, GS66AF, 1/6 hp, LBP, r134a, disp 6.6 cm³, 165 w, 1Ph, 220 v/50hz , GS77AF, 1/5 Hp, GS-90TB, 1/3 hp

Mbsm.pro, Compressor, Huaguang , EKA95, LBP, R-600, 165 W, CHINA, 1/5 Hp

Category: compressor

written by www.mbsm.pro | 24 March 2024



Private Picture Copyright : WWW.MBSM.PRO

Mbsm.pro, Compressor, Huaguang , LBP, R-600, 165 W, CHINA, 1/5 Hp,

Cubigel Compressors, Compressor, GQY80AT, 1/4Hp, LBP, R134a, 8.1cmc, 165 W, REFRIGERATEUR INDESIT

Category: compressor

written by www.mbsm.pro | 24 March 2024



BAJA presión					serie LBP														
CÓDIGO REMLE	MODELO	Potencia	Enfriam.	Cilind.	Producción Frigorífic en Watios.								Expans.	Acelle cm3	Peso Kg.	Motor	Arranq.	Modelos MIX Sustitutos R-12 / R134a	
• Últimas existencias					-35	-30	-25	-23,3	-20	-15	-10	Sustitutos R-12 / R134a							
451.00.0202	D40AS	1/10	S	4.00	40	56	74	81	96	121	149	C	240	6.7	RSIR	P	GD40AAa	451.00.3301	
451.00.0002	L45AV	1/8	S	4.50	39	57	79	87	105	136	171	C	300	8.4	RSIR	R	GL45AA	451.00.3302	
451.00.0003	L55AV	1/6	S	5.47	49	73	101	112	134	171	211	C	470	9.5	RSIR	R	GL60AA	451.00.3303	
451.00.0004	L76AV	1/5	S	7.57	58	89	125	139	168	217	271	C	530	10.5	RSIR	R	GL75AA	451.00.3304	
451.00.0104	L76BV	1/5	OC	7.57	58	89	125	139	168	217	271	C	530	10.5	RSIR	R			
451.00.0005	L88AV	1/4	S	8.85	69	107	150	167	200	255	317	C	530	11.0	RSIR	R	GL80AA	451.00.3305	
451.00.0105	L88BV	1/4	OC	8.85	69	107	150	167	200	255	317	C	530	11.0	RSIR	R	GL90AAa OC	451.00.3325	
451.00.0205	L88FW	1/4	F	8.85	69	107	150	167	200	255	317	C-V	530	10.0	RSIR	R	GL90AAb	451.00.3205	
451.00.0106	P12BW	1/3	OC	12.00	79	132	192	215	261	337	422	C	530	11.5	RSIR	R	GP12BB OC	451.00.3326	
451.00.0206	P12FW	1/3	F	12.00	79	132	192	215	261	337	422	C-V	530	11.5	RSIR	R	GP12FB	451.00.3206	

Private Picture Copyright : WWW.MBSM.PRO

Compresor GQY80AT, freon R134a, capacitate 8.1 cmc, capacitate frigorifica ASHRAE 222 W, capacitate frigorifica CECOMAF 165 W, racire statica #GQY80AT

Model: GQY80AT

Freon: R134a

Capacitate: 8.1 cmc

Capacitate frigorifica ASHRAE: 222 W

Capacitate frigorifica CECOMAF: 165 W

35 -30 -25 -10 w COP

- 451.00.3301 GD40AAa / GQY80AT 1/10 S 4.03 34 49 70 0.77 154 C 200 6.7 RSIR P •
- 451.00.3202 GD40AA 1/10 S 4.03 34 49 70 0.77 154 C 200 6.7 RSIR P •
- 451.00.3302 GL45AA / GQY80AT 1/8 S 4.55 37 56 81 0.81 183 C 265 8.3 RSIR P •
- 451.00.3303 GL60AA / GQY80AT 1/6 S 5.99 50 75 107 0.85 238 C 265 9.1 RSIR P •
- 451.00.3304 GL75AA / GQY80AT 1/5 S 6.65 57 85 121 0.87 267 C 345 9.6 RSIR P •
- 451.00.3305 GL80AA / GQY80AT 1/5 S 7.52 68 101 144 0.89 326 C 345 9.9 RSIR P •
- 451.00.3104 GL80AAb 1/5 OC 8.10 68 101 144 0.89 326 C-V 345 9.9 CSIR R •
- 451.00.3005 GL90AA 1/4 S 9.08 82 119 165 0.90 350 C 345 10.2 RSIR P •
- 451.00.3306 GL90AAa / GQY80AT 1/4 S 9.08 82 119 165 0.90 350 C 345 10.2 RSIR P •
-
- 451.00.3105 GL90AAb 1/4 OC 9.08 82 119 165 0.90 350 C-V 345 10.2 CSIR R •
- 451.00.3205 GL90AAb 1/4 F 9.08 82 119 165 0.90 350 C-V 345 10.2 CSIR R •
- 451.00.3325 GL90AAa 1/4 OC 9.08 82 119 165 0.90 350 C-V 345 10.2 CSIR R •
- 451.00.3106 GP12BB 1/3 OC 12.00 83 131 190 0.88 424 C 400 11.5 RSIR R •
- 451.00.3206 GP12FB 1/3 F 12.00 83 131 190 0.88 424 C 400 11.5 RSIR R •
- 451.00.3326 GP12BB 1/3 OC 12.00 83 131 190 0.88 424 C 400 11.5 RSIR R •
- 451.00.3218 GP14CB 3/8 F 14.17 99 158 228 0.90 509 C 400 11.5 RSIR R •
- 451.00.3223 GP16FB 3/8 F 16.15 109 182 266 0.89 585 C-V 530 12.0 CSIR R •
- 451.00.3224 GX18FB 3/7 F 18.40 123 199 291 0.91 660 C-V 500 15.1 CSIR R •
- 451.00.3225 GX21FB 2/3 F 20.72 151 243 351 0.93 778 C-V 500 15.5 CSIR R •
- 451.00.3403 GL45TB 1/6 F 4.50 76 134 342 1.62 412 C-V 300 8.4 CSIR R •
- 451.00.3503 GL45PB 1/6 F 4.50 76 134 342 1.62 412 C-V 300 8.4 CSIR R •
- 451.00.3404 GL60TB 1/5 F 5.67 95 170 437 1.82 527 C-V 300 9.5 CSIR R •
- 451.00.3504 GL60PB 1/5 F 5.67 95 170 437 1.82 527 C-V 300 9.5 CSIR R •
- 451.00.3406 GL80TB 1/5 F 7.57 111 212 554 1.83 667 C-V 300 9.5 CSIR R •

- 451.00.3505 GL90TB 1/4 F 8.85 142 259 661 1.91 796 C-V 300 10.8 CSIR R •
- 451.00.3506 GP12TB 3/8 F 12.05 169 338 893 1.80 1077 C-V 350 11.2 CSIR R •
- 451.00.3418 GP14TB 3/8 F 14.00 190 373 999 1.77 1208 C-V 400 11.5 CSIR R •
- 451.00.3513 GP14TB 3/8 F 14.00 190 373 999 1.77 1208 C-V 400 11.5 CSIR R •
- 451.00.3419 GX18TB 1/2 F 18.40 285 539 1390 1.91 1673 C-V 500 16.0 CSIR R •
- 451.00.3420 GX21TB 5/8 F 20.72 332 603 1550 1.90 1866 C-V 500 17.0 CSIR R •
- 451.00.3421 GX23TB 5/8 F 23.20 368 677 1730 1.89 2083 C-V 500 17.0 CSIR R •
- 451.00.3422 GS26TB 3/4 F 25.93 392 771 2071 2.09 1011 C-V 887 22.7 CSIR R •
- 451.00.3423 GS30TB 7/8 F 29.95 317 785 2452 2.33 3020 C-V 887 22.7 CSR R •
- 451.00.3424 GS34TB 1 F 34.42 476 1068 2852 2.28 3421 C-V 887 22.7 CSR R •



Private Picture Copyright : WWW.MBSM.PRO

BAJA presión					serie LBP										R-134a				
CÓDIGO REMLE	MODELO	Potencia	Enfri.	Cilindr.	Producción Frigorífica en Watts.								Expansión	Acelte cm3	Peso Kg.	Motor	Arranque	220-240V/50Hz	
• Gases sustitutos del R-12 y R-134a.					CECOMAF (W)														
• Últimas existencias					-35	-30	-25				-10								
					w	COP													
• 451.00.3301	GD40AAa / GVV40AA	1/10	S	4.03	34	49	70	0.77	154	C	200	6.7	RSIR	P	•				
• 451.00.3202	GD40AA	1/10	S	4.03	34	49	70	0.77	154	C	200	6.7	RSIR	P	•				
• 451.00.3302	GL45AA / GVV44AA	1/8	S	4.55	37	56	81	0.81	183	C	265	8.3	RSIR	P	•				
• 451.00.3303	GL60AA / GVV57AA	1/6	S	5.99	50	75	107	0.85	238	C	265	9.1	RSIR	P	•				
• 451.00.3304	GL75AA / GVV66AA	1/5	S	6.65	57	85	121	0.87	267	C	345	9.6	RSIR	P	•				
• 451.00.3305	GL80AA / GVV75AA	1/5	S	7.52	68	101	144	0.89	326	C	345	9.9	RSIR	P	•				
• 451.00.3104	GL80AAb	1/5	OC	8.10	68	101	144	0.89	326	C-V	345	9.9	CSIR	R	•				
• 451.00.3005	GL90AA	1/4	S	9.08	82	119	165	0.90	350	C	345	10.2	RSIR	P	•				
• 451.00.3306	GL90AAa / GQY80AT	1/4	S	9.08	82	119	165	0.90	350	C	345	10.2	RSIR	P	•				
• 451.00.3105	GL90AAb	1/4	OC	9.08	82	119	165	0.90	350	C-V	345	10.2	CSIR	R	•				
• 451.00.3205	GL90AAb	1/4	F	9.08	82	119	165	0.90	350	C-V	345	10.2	CSIR	R	•				
• 451.00.3325	GL90AAa	1/4	OC	9.08	82	119	165	0.90	350	C-V	345	10.2	CSIR	R	•				
• 451.00.3106	GP12BB	1/3	OC	12.00	83	131	190	0.88	424	C	400	11.5	RSIR	R	•				
• 451.00.3206	GP12FB	1/3	F	12.00	83	131	190	0.88	424	C	400	11.5	RSIR	R	•				
• 451.00.3326	GP12BB	1/3	OC	12.00	83	131	190	0.88	424	C	400	11.5	RSIR	R	•				
451.00.3218	GP14CB	3/8	F	14.17	99	158	228	0.90	509	C	400	11.5	RSIR	R	•				
451.00.3223	GP16FB	3/8	F	16.15	109	182	266	0.89	585	C-V	530	12.0	CSIR	R	•				
451.00.3224	GX18FB	3/7	F	18.40	123	199	291	0.91	660	C-V	500	15.1	CSIR	R	•				
451.00.3225	GX21FB	2/3	F	20.72	151	243	351	0.93	778	C-V	500	15.5	CSIR	R	•				

Private Picture Copyright: WWW.MBSM.PRO

ALTA - MEDIA presión					serie HMBP										R-134a				
CÓDIGO REMLE	MODELO	Potencia	Enfriamiento	Cilindrada	Producción Frigorífica en Watts.								Expansión	Acelte cm3	Peso Kg.	Motor	Arranque	220-240V/50Hz	
• Gases sustitutos de R-12 y R-134a.					CECOMAF (W)														
• Últimas existencias					-25	-15	5				10								
					w	COP													
• 451.00.3403	GL45TB	1/6	F	4.50	76	134	342	1.62	412	C-V	300	8.4	CSIR	R	•				
• 451.00.3503	GL45PB	1/6	F	4.50	76	134	342	1.62	412	C-V	300	8.4	CSIR	R	•				
• 451.00.3404	GL60TB	1/5	F	5.67	95	170	437	1.82	527	C-V	300	9.5	CSIR	R	•				
• 451.00.3504	GL60PB	1/5	F	5.67	95	170	437	1.82	527	C-V	300	9.5	CSIR	R	•				
451.00.3406	GL80TB	1/5	F	7.57	111	212	554	1.83	667	C-V	300	9.5	CSIR	R	•				
• 451.00.3505	GL90TB	1/4	F	8.85	142	259	661	1.91	796	C-V	300	10.8	CSIR	R	•				
• 451.00.3506	GP12TB	3/8	F	12.05	169	338	893	1.80	1077	C-V	350	11.2	CSIR	R	•				
• 451.00.3418	GP14TB	3/8	F	14.00	190	373	999	1.77	1208	C-V	400	11.5	CSIR	R	•				
• 451.00.3513	GP14TB	3/8	F	14.00	190	373	999	1.77	1208	C-V	400	11.5	CSIR	R	•				
451.00.3419	GX18TB	1/2	F	18.40	285	539	1390	1.91	1673	C-V	500	16.0	CSIR	R	•				
451.00.3420	GX21TB	5/8	F	20.72	332	603	1550	1.90	1866	C-V	500	17.0	CSIR	R	•				
451.00.3421	GX23TB	5/8	F	23.20	368	677	1730	1.89	2083	C-V	500	17.0	CSIR	R	•				
• 451.00.3422	GS26TB	3/4	F	25.93	392	771	2071	2.09	1011	C-V	887	22.7	CSIR	R	•				
451.00.3423	GS30TB	7/8	F	29.95	317	785	2452	2.33	3020	C-V	887	22.7	CSR	R	•				
• 451.00.3424	GS34TB	1	F	34.42	476	1068	2852	2.28	3421	C-V	887	22.7	CSR	R	•				

Private Picture Copyright: WWW.MBSM.PRO

BAJA presión					serie LBP										R-600a			
CÓDIGO REMLE	MODELO	Potencia	Enfriamiento	Cilindrada	Producción Frigorífica en Watts.								Expansión	Acelte cm3	Peso Kg.	Motor	Arranque	220-240V/50Hz
					-35	-30	-25	-23.3	-20	-15	-10							
451.00.0605	HQY55AA	1/9	S	5.46	28	44	62	69	83	105	130	C	210	8.9	RSIR/RSCR	P	•	
451.00.0610	HQY70AA	1/8	S	6.64	42	59	80	88	104	131	161	C	210	9.0	RSIR/RSCR	P	•	
451.00.0615	HLY99AA	1/6	S	9.93	69	90	119	130	155	198	248	C	345	9.6	RSIR/RSCR	P	•	
451.00.0620	HPY12AA	1/5	S	12.10	79	107	143	157	187	239	299	C	300	10.7	RSIR/RSCR	P	•	
451.00.0625	HPY14AA	1/5	S	14.31	92	124	165	181	215	274	342	C	300	11.0	RSIR/RSCR	P	•	
451.00.0630	HPY16AA	1/4	S	16.14	102	136	180	198	236	302	379	C	300	11.2	RSIR/RSCR	P	•	

Private Picture Copyright: WWW.MBSM.PRO

ALTA - MEDIA presión **serie HMBP** **R-22**

CÓDIGO REMLE	MODELO	Potencia	Enfriamiento	Cilindrada	Producción Frigorífica en Watts.								Expansión	Aceite cm3	Peso Kg.	Motor	Arranque	220-240V/50Hz
					-20	-15	-10	-5	0	5	7.2	10						
451.00.1404	L45TN	1/5	F	4.50	157	206	265	333	410	496	537	592	C-V	400	9.5	CSIR	P	•
451.00.1405	L57TN	1/4	F	5.67	194	255	327	410	505	610	660	727	C-V	300	9.5	CSIR	R	•
451.00.1428	L76TN	3/8	F	7.57	268	347	441	550	675	814	881	969	C-V	470	10.0	CSIR	R	•
451.00.1408	L88TN	3/8	F	8.85	523	416	527	658	806	973	1052	1159	C-V	400	10.6	CSIR	R	•
451.00.1409	P12TN	1/2	F	12.00	412	537	689	868	1075	1309	1421	1570	C-V	400	12.3	CSR	R	•
451.00.1416	S22TN	7/8	F	21.77	645	890						3000	C-V	887	22.7	CSR	R	•
451.00.1418	S26TN	1 1/4	F	25.93	857	1182	1561	1993	2480	3021	3275	3615	C-V	887	22.7	CSR	R	•

Private Picture Copyright : WWW.MBSM.PRO

ALTA - MEDIA presión **serie HMBP** **sustituto del R-404a - R507 (*)**

220-240V 50Hz

CÓDIGO REMLE	MODELO	CV	Enfr.	Cil. cm3	Int. A	Conex.		Conex. aspir. Rotalock	Rendimientos (Wattios)*				Aplic.
						ODF	Rotalock		+7,2	-0°C	-5°C	-10°C	
451.00.0299	ML40TB	1/6	F	4.04	2,03	1/4"	-	3/16"	516	387	320	260	C-V
451.00.0300	ML45TB	1/5	F	4.50	2,19	1/4"	-	3/16"	559	432	356	289	C-V
451.00.0305	ML60TB	1/4	F	5.67	2,77	1/4"	-	3/16"	686	525	428	343	C-V
451.00.0310	ML80TB	3/8	F	7.57	3,27	1/4"	-	3/16"	931	720	590	475	C-V
451.00.0315	ML90TB	3/8	F	8.85	3,98	1/4"	-	3/16"	1118	861	705	569	C-V
451.00.0321	MP12RB	1/2	F	12.00	3,80	5/16"	-	1/4"	1765	1379	1142	931	C-V
451.00.0323	MP14RB	1/2	F	14.00	4,86	5/16"	-	1/4"	1765	1379	1142	931	C-V
451.00.0325	MX18TB	7/8	F	18.12	6,50	3/8"	-	1/4"	2275	1719	1379	1078	C-V
451.00.0326	MX21TB	1	F	21,74	6,28	3/8"	-	1/4"	2745	2063	1645	1275	C-V
451.00.0327	MS26TB-V	1 3/8	F	25.95	8,97	5/8"	1" 5/8"R	5/16"	3382	2578	2085	1647	C-V
451.00.0328	MA34TB-V	1 5/8	F	34,42	11,50	5/8"	1" 5/8"R	5/16"	4450	3480	2870	2310	C-V

Private Picture Copyright : WWW.MBSM.PRO

BAJA presión **serie LBP** **sustituto del R-404a - R507 (*)**

220-240V 50Hz

CÓDIGO REMLE	MODELO	CV	Enfr.	Cilindr. cm3	Int. A	Conex. aspir.		Conex. descar. ODF	Rendimientos (Wattios)*			Aplic.
						ODF	Rotalock		-35°C	-25°C	-10°C	
451.00.0450	ML45FB	1/6	F	4,60	1,58	1/4"	-	3,16"	70	130	270	C-V
451.00.0455	ML60FB	1/5	F	6,00	1,77	1/4"	-	3,16"	100	180	340	C-V
451.00.0460	ML80FB	1/4	F	8,10	2,21	1/4"	-	3,16"	140	250	490	C-V
451.00.0465	ML90FB	1/3	F	8,85	2,24	1/4"	-	3/16"	150	280	530	C-V
451.00.0470	MP12FB	3/8	F	12,00	2,88	3/8"	-	1/4"	170	350	720	C-V
451.00.0471	MP14FB	1/2	F	14,00	3,38	3/8"	-	1/4"	200	400	850	C-V
451.00.0472	MPT14LA [®]	1/2	F	14,32	2,70	3/8"	-	1/4"	360	550	1000	C-V
451.00.0473	MX18FBa	5/8	F	18,20	2,97	3/8"	-	1/4"	210	510	1160	C-V
451.00.0474	MX23FB	7/8	F	23,20	3,78	3/8"	-	1/4"	380	720	1450	C-V
451.00.0475	MS26FB-V	3/4	F	26,15	4,72	5/8"	1" 5/8"R	5/16"	360	820	1570	C-V
451.00.0476	MS30FB-V	7/8	F	30,00	5,60	5/8"	1" 5/8"R	5/16"	420	940	1900	C-V
451.00.0477	MS34FB-V	1	F	34,25	6,68	5/8"	1" 5/8"R	5/16"	480	1090	2230	C-V

Private Picture Copyright : WWW.MBSM.PRO

FRÍO DOMÉSTICO / COMERCIO

ALTA - MEDIA presión

serie HMBP

CÓDIGO REMLE	MODELO	Potencia	Enfriam.	Cilind.	Producción Frigorífica en Watts.										Expans.	Aceite cm3	Peso Kg.	Motor	Arranq.	Modelos MIX Sustitutos R-12 / 134a		
					-25	-20	-15	-10	-5	0	5	7.2	10	Sustitutos R-12 / R134a								
◦ Últimas existencias					-25	-20	-15	-10	-5	0	5	7.2	10								Sustitutos R-12 / R134a	
◦ 451.00.0403	L45PX	1/6	F	4.50	77	101	132	169	214	266	325	353	390	C	300	8.4	RSIR	R	GL45PB	451.00.3503		
◦ 451.00.0404	L57PX	1/5	F	5.67	98	130	171	221	279	346	421	457	505	C	300	9.5	RSIR	R	GL60PB	451.00.3504		
◦ 451.00.0405	L88TY	1/4	F	8.85	165	215	277	351	437	535	645	697	767	C-V	400	11.2	CSIR	R	GL90TB	451.00.3505		
◦ 451.00.0406	P12TY	3/8	F	12.00	209	274	357	458	577	714	869	943	1043	C-V	400	11.2	CSIR	R	GP12TB	451.00.3506		
◦ 451.00.0412	S26TY	7/8	F	25.93	392	565	771	1011	1284	1591	1930	2090	2303	C-V	887	22.7	CSIR	R	GS26TB-V	451.00.3422		
◦ 451.00.0413	P14TY	7/16	F	14.00	243	318	412	526	659	812	983	1065	1174	C-V	400	11.5	CSIR	R	GP14TB	451.00.3513		
◦ 451.00.0417	S34TY	1 1/5	F	34.42	644	886	1172	1501	1873	2289	2748	2963	3249	C-V	887	22.7	CSIR	R	GS34TB-V	451.00.3424		

Private Picture Copyright : WWW.MBSM.PRO



BAJA presión

serie LBP

CÓDIGO REMLE	MODELO	Potencia	Enfriam.	Cilind.	Producción Frigorífica en Watts.								Expans.	Aceite cm3	Peso Kg.	Motor	Arranq.	Modelos MIX Sustitutos R-12 / 134a		
					-35	-30	-25	-23.3	-20	-15	-10	Sustitutos R-12 / R134a								
◦ Últimas existencias					-35	-30	-25	-23.3	-20	-15	-10								Sustitutos R-12 / R134a	
◦ 451.00.0202	D40AS	1/10	S	4.00	40	56	74	81	96	121	149	C	240	6.7	RSIR	P	GD40AAa	451.00.3301		
◦ 451.00.0002	L45AV	1/8	S	4.50	39	57	79	87	105	136	171	C	300	8.4	RSIR	R	GL45AA	451.00.3302		
◦ 451.00.0003	L55AV	1/6	S	5.47	49	73	101	112	134	171	211	C	470	9.5	RSIR	R	GL60AA	451.00.3303		
◦ 451.00.0004	L76AV	1/5	S	7.57	58	89	125	139	168	217	271	C	530	10.5	RSIR	R	GL75AA	451.00.3304		
◦ 451.00.0104	L76BV	1/5	OC	7.57	58	89	125	139	168	217	271	C	530	10.5	RSIR	R				
◦ 451.00.0005	L88AV	1/4	S	8.85	69	107	150	167	200	255	317	C	530	11.0	RSIR	R	GL80AA	451.00.3305		
◦ 451.00.0105	L88BV	1/4	OC	8.85	69	107	150	167	200	255	317	C	530	11.0	RSIR	R	GL90AAa OC	451.00.3325		
◦ 451.00.0205	L88FW	1/4	F	8.85	69	107	150	167	200	255	317	C-V	530	10.0	RSIR	R	GL90AAb	451.00.3205		
◦ 451.00.0106	P12BW	1/3	OC	12.00	79	132	192	215	261	337	422	C	530	11.5	RSIR	R	GP12BB OC	451.00.3326		
◦ 451.00.0206	P12FW	1/3	F	12.00	79	132	192	215	261	337	422	C-V	530	11.5	RSIR	R	GP12FB	451.00.3206		

Private Picture Copyright : WWW.MBSM.PRO

Compresor GQY80AT, freon R134a, capacitate 8.1 cmc, capacitate frigorifica ASHRAE 222 W, capacitate frigorifica CECOMAF 165 W, racire statica #GQY80AT

Model: GQY80AT

Freon: R134a

Capacitate: 8.1 cmc

Capacitate frigorifica ASHRAE: 222 W

Capacitate frigorifica CECOMAF: 165 W

Racire : statica



Private Picture Copyright : WWW.MBSM.PRO

Panasonic ,Compressor ,R134a ,QB series , QB66C13GPX5 , 1/5 HP ,1Phase , 165 w , RSIR, PTC relay ,220V 50Hz

Category: Technologie,Tester ok
 written by www.mbsm.pro | 24 March 2024

QB Series	220V 50Hz	Displacement	QB51C95GPX5	QB57C11GPX5	QB66C13GPX5	QB77C16GPX5	QB91C21RPX5	QB110C25CAX0
		Capacity (W)	128	146	165	202	236	273
		Cooling Type	Static Cooling	Static Cooling	Oil Cooling	Oil Cooling	Oil Cooling	Oil Cooling
		Mototr Type	RSIR, PTC relay	RSIR, PTC relay	RSIR, PTC relay	RSIR, PTC relay	RSIR, PTC relay	RSIR, PTC relay
R134a, LBP								



Private Picture : www.MBSM.PRO

PictureS Mbsm Dot Pro : www.mbsm.pro

Panasonic ,Compressor ,R134a ,QB series , QB66C13GPX5 , 1/5 HP ,1Phase , 165 w , RSIR, PTC relay ,220V 50Hz