

Mbsm.pro, Compressor, kx69Lbeg, LG,
Serie Kx, 1/5 hp++, 1/4 hp-, Lbp,
r134a, 220-240v, RSIR, PTC, 190
w/input 150 w, capillary 0.040

Category: compressor

written by mahdi miled | 27 December 2022



Private Picture Copyright : WWW.MBSM.PRO

Mbsm.pro, Compressor, kx69Lbeg, LG, Serie Kx, 1/5 hp++, 1/4 hp-, Lbp, r134a,
220-240v, RSIR, PTC, 190 w, capillary 0.040

Mbsm.pro, Compressor, R134a, FR7.5G, 103G6680, 220-240V 50/60Hz, LBP/HBP, 1/5HP++, 1/4 hp-

Category: compressor

written by Jamila | 27 December 2022



Private Picture Copyright : WWW.MBSM.PRO

Mbsm.pro, Compressor, R134a, FR7.5G, 103G6680, 220-240V 50/60Hz, LBP/HBP, 1/5HP,

Mbsm.pro, compressor, Panasonic, 1/3

hp, Lbp, E Series, R134a,
ETI57C13DCH, ENI68C13DCH,
Reciprocating, Compressors, Variable
Speed, inverter, BLCD, from 63 to 240
w, 240v+-, from 60 to 268 hz, from 25
rps to 72 rps

Category: compressor

written by Jamila | 27 December 2022



Private Picture Copyright : WWW.MBSM.PRO

Mbsm.pro, compressor, Panasonic, Lbp, E Series, R134a, ETI57C13DCH, ENI68C13DCH,
Reciprocating, Compressors, Variable Speed, inverter, from 63 to 240 w, 240v+-,
from 60 to 268 hz, from 25 rps to 72 rps

Mbsm.pro, Donper, compressor,
aluminum, wire, R600a, R134a,

Exemple, a100cy1, 1/5 hp, 93 w, Lbp, R600a

Category: compressor

written by Jamila | 27 December 2022



Private Picture Copyright : WWW.MBSM.PRO

Mbsm.pro, Donper, compressor, aluminum, wire, R600a, R134a, Exemple, a100cy1, 1/5 hp, 93 w, Lbp, R600a

Mbsm.pro, Malaysian, Panasonic, reciprocating, compressor, QBxxxxxGAX5 series, QB86C18GAX5, 1/3h, lbp, 222 w, r134a

Category: compressor

written by Jamila | 27 December 2022



Private Picture Copyright : WWW.MBSM.PRO

Mbsm.pro, Malaysian, Panasonic, reciprocating, compressor, QBxxxxxGAX5 series, QB86C18GAX5, 1/3h, lbp, 222 w, r134a

Mbsm.pro, Toshiba, refrigerator, freezer, GR-Y70UD, classT, Compressor, FL1875-SY, 1/4 hp, lbp, r134a, 170g

Category: Refrigerator

written by mahdi miled | 27 December 2022



Private Picture Copyright : WWW.MBSM.PRO

Mbsm.pro, Toshiba, refrigerator, freezer, GR-Y70UD, classT, Compressor, FL1875-SY, 1/4 hp lbp, r134a, 170g

Embraco, Compressor, Fridge,
Refrigerator, 1/5HP, LBP, 1/6++, mbp,
R134a, FFI 7.5HAK, FFI7.5HAK, FFi
7.5HAK, FFI 7.5 HAK, FFI 7.5HAK,
220-240V/50HZ

Category: compressor

written by www.mbsm.pro | 27 December 2022



Embraco FFI 7.5HAK



CE

THERMALLY PROTECTED

14.5/14-LRA

R 134a 1-PR

220V~
50-60Hz



JOINVILLE-SC
MADE IN BRAZIL



513200370 FAB 1 04-APR-01 F01NDMB6



Embraco, Compressor, Fridge, Refrigerator, 1/5HP, LBP, 1/6++, mbp, R134a, FFI 7.5HAK, FFI7.5HAK, FFi 7.5HAK, FFI 7.5 HAK, FFI 7.5HAK, 220-240V/50HZ

Mbsm.pro, Compressor, 1/3 hp, LBP, R134a, NE1121Z, NLE9F, FGV110HA, FGS90AH, FGS100HA

Category: air conditioner

written by www.mbsm.pro | 27 December 2022



Private Picture Copyright : WWW.MBSM.PRO

Mbsm.pro, Compressor, 1/3 hp, LBP, R134a, NE1121Z, NLE9F, FGV110HA, FGS90AH, FGS100HA

Mbsm.pro, Compressor, NLE12.6MF.2, SECOP, 105G6387, DANFOSS, R134a, 1/2 Hp, 1bp

Category: compressor

written by www.mbsm.pro | 27 December 2022



Private Picture Copyright : WWW.MBSM.PRO

Mbsm.pro, Compressor, NLE12.6MF.2, SECOP, 105G6387, DANFOSS, R134a, 1/2 Hp, 1bp

Mbsm.pro, Daewoo Compressor, YX58LHP5, R134a, 200 w, 1/4 hp, 683 BTU, Lbp, 95 G, Congélateur, CONDOR NOFROST, 375L

Category: compressor

written by www.mbsm.pro | 27 December 2022



Private Picture Copyright : WWW.MBSM.PRO

	JX58LHK4	5.84	161	170	198	675	1.06	1.23	4.19	CSIR	ST/FC	8.2	230
	JX58LHP4	5.84	139	170	198	675	1.22	1.42	4.85	RSCR	ST/FC	8.2	230
	JX58LHP4-K	5.85	155	170	198	675	1.10	1.28	4.35	RSCR	ST/FC	8.2	230
	JX58LHS4	5.84	150	170	198	675	1.13	1.32	4.50	RSIR	ST/FC	8.2	230
YH	HPL15YH-4	5.12	122	135	157	536	1.11	1.29	4.39	RSCR	ST/OC/FC	8.9	290
	HPL17YH-4	5.55	131	148	172	587	1.13	1.31	4.48	RSCR	ST/OC/FC	8.9	290
	HPL19YH-4	5.84	137	170	198	675	1.24	1.44	4.92	RSCR	ST/OC/FC	9.5	290
	HDL21YH-4	6.72	156	189	220	750	1.21	1.41	4.81	CSIR	ST/OC/FC	9.5	290
	HPL21YH-4	6.73	155	188	219	746	1.21	1.41	4.81	RSCR	ST/OC/FC	9.5	290
	HPL23YH-4	7.03	165	201	234	798	1.22	1.42	4.83	RSCR	ST/OC/FC	9.5	290
	HPL26YH-4	8.25	205	235	273	933	1.15	1.33	4.55	RSCR	ST/OC/FC	9.5	290
YX	YX46LHP4	4.62	104	125	145	496	1.20	1.40	4.77	RSCR	ST/OC/FC	8.8	290
	YX51LHP4	5.12	120	150	174	595	1.25	1.45	4.96	RSCR	ST/OC/FC	8.8	290
	YX51LHP4-K	5.12	128	144	168	572	1.12	1.31	4.46	RSCR	ST/OC/FC	8.8	290
	YX58LHP4	5.84	133	172	200	683	1.29	1.50	5.13	RSCR	ST/OC/FC	9.8	290
YG	HPL21YG-4	6.73	175	185	215	734	1.06	1.23	4.20	RSCR	ST/OC/FC	9.0	290
	HPL27YG-4A	8.69	232	250	291	992	1.08	1.25	4.28	RSCR	ST/OC/FC	9.5	290
	HPL30YG-4	9.92	247	283	329	1123	1.15	1.33	4.55	RSCR	ST/OC/FC	9.5	290

Private Picture Copyright : WWW.MBSM.PRO







Réfrigérateur Congélateur

Modèle: H-430NC Classe T

Volume brut 375L

Volume utile compt denrées fraîche 242L

Volume utile compt basse température 90L

Voltage / Fréquence 220-240V - 50Hz

Puissance 0.8A

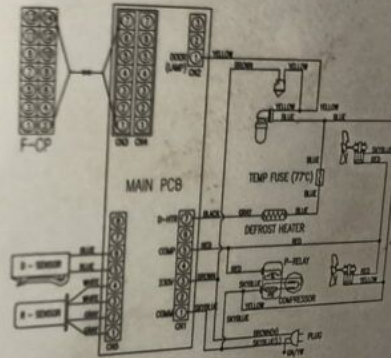
Puissance de dégivrage 180W

Puissance de lampe 25W*1

Réfrigérant R134a 95grs

N° de série

WIRING DIAGRAM



Note: 1. laissez au moins 5cm d'espace libre à l'arrière de l'appareil pour une bonne ventilation.
2. Après avoir débranché l'appareil, attendre 5 minutes avant de le rebrancher.

W341-S



Private Picture Copyright : WWW.MBSM.PRO

Mbsm_dot_pro_private_PDF_YX58LHP5-R134aTélécharger