

SC18G, 104G8820, Universal, Compressor, R134a, 220-240V 50/60Hz, DANFOSS, SECOP, R134a, HMBP, 1/2 Hp++, displacement 17.70 cc, CSIR, SC18G 104G8820

Category: compressor

written by www.mbsm.pro | 12 December 2021

Détails du produit

Poids brut 13.8 kg

Poids Net 13.8 kg

Applications

HBP
LBP
MBP

Charge en fluide frigorigène [kg] [Max]

1.3 kg

Charge en huile [L]

600 L

Code de configuration

Simple

Couleur

Noir

Courant d'appel HST [A]

18.6 A

Description

SC18G

Diamètre de raccordement à l'aspiration [mm]

10.2 mm

Diamètre du raccord au refoulement [mm]

6.2 mm

Diamètre du raccordement du traitement [mm]

6.2 mm

Désignation du modèle

Compresseur

Emballage (format)

Emballage industriel

Faible valeur de plage de tension à 50 Hz [V]

187 V

Faible valeur de plage de tension à 60 Hz [V]

198 V

Faible valeur de tension nominale à 50 Hz [V]

208 V

Faible valeur de tension nominale à 60 Hz [V]

220 V

Fluides

R134a

Fréquence [Hz]

50/60

Hauteur de la base [mm]

213 mm

Hauteur du raccordement de refoulement [mm]

110 mm

Hauteur raccordement aspiration [mm]

193 mm

Hauteur totale [mm]

219 mm

LRA HST [A]

18.6 A

Matériel du raccord au process

Acier cuivré

Matériel du raccord d'aspiration

Acier cuivré

Matériel du raccord de refoulement

Acier cuivré

Niveau d'énergie de l'application	Compresseur universel
Nombre de phases (compresseur)	1
Nombre de phases (ventilateur)	1
Norme d'approbation	CE EN 60335-2-34 avec Annexe AA
Notes concernant le raccord de refoulement	Capuchon en aluminium
Notes concernant le raccordement au process	Capuchon en aluminium
Notes concernant le raccordement à l'aspiration	Capuchon en aluminium
N° de modèle	SC18G
N° de schéma	8258
Oil type	POE
Phase	1
Puissance frigorifique nominale 60 kBTU/h	6.06 kBTu/h
Puissance frigorifique nominale à 60 Hz	1.8 kW
Quantité d'huile [cm ³]	600 cm ³
Quantité par emballage	80
raccord de refoulement équerre [°]	37 °
raccord d'aspiration équerre [°]	37 °
Raccordement de process équerre	37 °
Régulation de la puissance	Vitesse fixe
Résistance de l'enroulement auxiliaire (enroulement de démarrage) pour compresseurs monophasés [ohm]	14.1 Ohm
Résistance de l'enroulement principal pour compresseurs monophasés [Ohm]	3.7 Ohm
Technique de la marque	Compresseur à pistons
Technologie	Piston
Température d'enroulement max. continue [°C] [Max]	125 °C
Température de l'enroulement à court terme [°C] [Max]	135 °C
Tension 50 Hz [V]	220 V
Tension 50 Hz [V] [max.]	240 V
Tension 60 Hz [V]	220 V
Tension 60 Hz [V] [max.]	240 V
Type	SC
Type de moteur	CSIR
Type de socle	Universel
Utilisation de tronçon	Réfrigération LT Réfrigération MT
Valeur du condensateur A	10 µF
Valeur du condensateur B	80 uF
Valeur élevée de plage de tension à 50 Hz [V]	254 V
Valeur élevée de plage de tension à 60 Hz [V]	254 V
Valeur élevée de tension nominale à 50 Hz [V]	230 V
Valeur élevée de tension nominale à 60 Hz [V]	230 V
Vitesse de rotation à 50 Hz [rpm]	2900 rpm
Vitesse de rotation à 60 Hz [rpm]	3500 rpm
Volume balayé [cm ³]	17.69 cm ³
Volume de gaz libre [cm ³]	1460 cm ³

Documents

Type de document	Country	Langue	Titre
Catalogue technique	Afrique du Sud	Français	
Warranty	Allemagne	Allemand	
Matériel	Australie Autriche	Anglais	
promotionnel	Belarus Belgique	Arabe	
Guide	Brazil Bulgarie	Bulgare	
d'installation	Canada Chili Chine (continentale)	Chinois	
EAC Declaration	Colombie Corée du Sud	Coréen	
Brochure	Croatie	Croate	
Article UA	Danemark	Danois	
Declaration	Emir.arab.unis	Espagnol	
Manuel	Espagne Estonia	Estonien	
d'utilisation	Finlande Grande Bretagne	Finnois Grec	
Electrical Safety Certificate	Hongrie Inde + Sikkim	Hindi Hongrois	
	Indonésie	Hébreu	
	Ireland Islande	Indonésien	
	Israël Italie	Islandais	
	Japon Kazakhstan	Italien	
	Lettonie Lithuania	Japonais	
	Macedonia Malaisie	Kazakh	
	Mexique N. Zélande	Letton	
	Norvège Pays-Bas	Lituanien	
	Philippines	Norvégien	
	Pologne Portugal	Néerlandais	
	Roumanie Russian Federation	Polonais	
	Rép. tchèque Saudi Arabia	Portugais Roumain	
	Serbia	Russe Serbe	
	Singapour	Slovaque	
	Slovaquie Slovénie	Slovène	
	Suisse Suède	Suédois	
	Taiwan, Chine	Tchèque Thaï	
	Thailand Tunisie	Turc	
	Turquie Ukraine	Ukrainien	
	USA Viêt Nam	Vietnamien	
	Vénézuéla		
Fiche technique	France	Français	220V Hermetic Compressors – R12 – R22 – R205 AI32443441788901-FR0101 1984 KB
Fiche technique	France	Français	Listing Compresseur Secop AI302136056984fr-FR0101 253 KB
Guide d'installation	France	Français	Instructions SC Compressors (external Protector) AN00008643706001-000401 124 KB

Type de document	Country	Langue	Titre
	France		
	Afrique du Sud	Langue	
	Allemagne	Français	
	Australie Autriche	Allemand	
	Belarus Belgique	Anglais	
	Brazil Bulgarie	Arabe	
	Canada Chili Chine	Bulgare	
	(continentale)	Chinois	
	Colombie Corée du	Coréen	
	Sud Croatie	Croate	
	Danemark	Danois	
	Emir.arab.unis	Espagnol	
	Espagne Estonia	Estonien	
	Finlande Grande	Finnois Grec	
	Bretagne Grèce	Hindi	
	Hongrie Inde +	Hongrois	
	Sikkim Indonésie	Hébreu	
	Ireland Islande	Indonésien	
	Israël Italie	Islandais	
	Japon Kazakhstan	Italien	Titre
	Lettonie Lithuania	Japonais	
	Macedonia Malaisie	Kazakh	
	Mexique N. Zélande	Letton	
	Norvège Pays-Bas	Lituanien	
	Philippines	Norvégien	
	Pologne Portugal	Néerlandais	
	Roumanie Russian	Polonais	
	Federation Rép.	Portugais	
	tchèque Saudi	Roumain	
	Arabia Serbia	Russe Serbe	
	Singapour	Slovaque	
	Slovaquie Slovénie	Slovène	
	Suisse Suède	Suédois	
	Taiwan, Chine	Tchèque Thaï	
	Thailand Tunisie	Turc	
	Turquie Ukraine	Ukrainien	
	USA Viêt Nam	Vietnamien	
	Vénézuéla		

Guide d'installation	France	Français	Instructions SC Twin Compressors AN00008643707201-000101 183 KB
Matériel promotionnel	France	Français	Refrigerant Circuit AV00008642183800-000402 463 KB

Compresseur Danfoss SC18G - R134a

Cylindrée = 17.69 CM3

APPLICATIONS = HP; BP; MP

Moteur = CSIR

220-240V 50/60Hz



Design

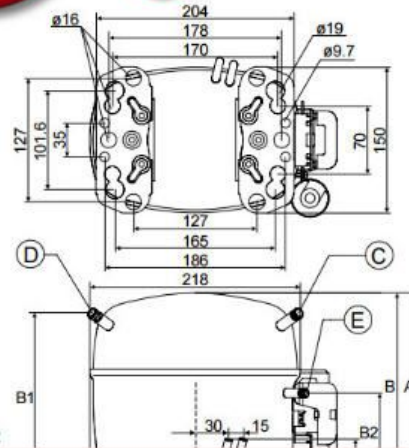
Displacement	cm ³	17.69
Oil quantity	cm ³	600 (550 on comp. with oil cooler)
Maximum refrigerant charge	g	1300
Free gas vol. in compressor	cm ³	1460
Weight without electrical equipment	kg	13.7

Motor

Motor size	watt	495
LRA (rated after 4 sec. UL984) HST	A	18.6
Cut-in current HST	A	18.6
Resistance, main and start winding (25°C)	Ω	3.7/14.1
Approvals		EN 60335-2-34, CCIB

Dimensions

104G8830 104G8820 104G8822



Private Picture Copyright : WWW.MBSM.PRO

R134a	refrigerant	605076	رقم القطعة
HP 1/2	power	SC18G	type
cm ³ 17.7	cylinder capacity	W 495	power input
V 220-240	voltage	CSIR	motor system
W 844	power at -10°C	mm 219	height
W 1343	power at 0°C	W 1074	power at -5°C
W -	power at -30°C	W 1655	power at +5°C
W 485	power at -20°C	W 348	power at -25°C
W 2014	power at +10°C	W 649	power at -15°C
HMBP	application	ASHRAE	test method
kg 13.7	weight	Hz 50	frequency



Private Picture Copyright : WWW.MBSM.PRO

Visuels

Mbsm_dot_pro_private_PDF_SC18GTélécharger



Private Picture Copyright : WWW.MBSM.PRO

Compressor, hermetic, medium temperature, 7 HP, r22, POE, MT80HP4, MT80 HP4, 400/3/50, 460/3/60 volt, 1-3/4" RL – 1-1/8" x 1-1/4" RL – 3/4"

Category: compressor

written by www.mbsm.pro | 12 December 2021

Product details

Gross weight 41.58 kg

Net weight 39.1 kg

EAN 5702428839525

Approval standard	CE UL
Brand technique	Reciprocating compressor
Capacity control	Fixed speed
Colour	Blue
Compressor power supply [V/Ph/Hz]	400/3/50 460/3/60
Configuration code	Single
Connection type	Rotolock
Cylinder	2
Description	MT080-4
Diameter [mm]	288 mm
Discharge connection height [mm]	74 mm
Discharge connection mounting torque [Nm]	90 Nm
Discharge connection pipe size [in]	3/4 in
Discharge connection rotolock size [in]	1 1/4 in
Discharge connection size [in]	1 1/4 in
Discharge connection sleeve pipe size [in]	3/4 in
Drawing number	8502012g
Economizer	No
Factory HP [bar]	25 bar
Factory LP [bar]	25 bar
Fitting remark	(shipped with rotolock version only)
Fitting sleeve	ODF
Fitting standard	Rotolock
Frequency [Hz]	50/60
Gauge port HP	None
Gauge port LP	Schrader
Generation code	B
Glass mounting	Threaded
Glass torque [Nm]	50 Nm
GP LP torque [Nm]	15 Nm
High side max pressure (Ps)	27.8 bar
High Side TS Max	150 °C
High Side TS Min	-35 °C
High Side Volume	0.6 L
High value of nominal voltage at 50Hz [V]	400 V
High value of nominal voltage at 60Hz [V]	460 V

High value of voltage range at 50Hz [V]	460 V
High value of voltage range at 60Hz [V]	506 V
IP protection class	IP55 (with cable gland)
Low side max pressure (Ps)	18.4 bar
Low Side TS Max	50 °C
Low Side TS Min	-35 °C
Low Side Volume	16.5 L
Low value of nominal voltage at 50Hz [V]	380 V
Low value of nominal voltage at 60Hz [V]	460 V
Low value of voltage range at 50Hz [V]	340 V
Low value of voltage range at 60Hz [V]	414 V
LRA	80 A
MCC	18 A
Model number	MT80HP4AVE
Motor protection	Internal overload protector
Mounting torque [Nm]	15 Nm
Nominal cooling capacity 60 kBTU/h	80.2 kBtu/h
Nominal cooling capacity at 50Hz	17.8 kW
Nominal cooling capacity at 60Hz	23.5 kW
Number of starts per hour [Max]	12
Oil charge [L]	1.8 L
Oil equalization	3/8" flare SAE
Oil equalization torque [Nm]	30 Nm
Oil reference	160P
Packaging height [mm]	455 mm
Packaging length [mm]	395 mm
Packaging weight [Kg]	44 kg
Packaging width [mm]	365 mm
Packing format	Single pack
Packing quantity	1
Phase	3
Power connections	Spade
Refrigerant	R22
Refrigerant charge [kg] [Max]	5 kg
Relief valve	30 bar/8 bar
Rotational speed at 50Hz [rpm]	2900 rpm
Rotational speed at 60Hz [rpm]	3500 rpm
Segment usage	Air conditioning Refrigeration MT
Shipped fittings	Suction and discharge solder sleeves, rotolock nuts and gaskets
Shipped instructions	Installation instructions
Shipped mounting	Mounting kit with grommets, bolts, nuts, sleeves and washers
Shipped oil	Initial oil charge

Suction connection height [mm]	265 mm
Suction connection mounting torque [Nm]	110 Nm
Suction connection pipe size [in]	1 1/8 in
Suction connection rotolock size [in]	1 3/4 in
Suction connection size [in]	1 3/4 in
Suction connection sleeve pipe size [in]	1 1/8 in
Swept volume [cm ³]	135.78 cm ³
Technology	Reciprocating
Test dif [bar] [Max]	30 bar
Test HP [bar] [Max]	30 bar
Test LP [bar] [Max]	25 bar
Torque earth [Nm]	3 Nm
Torque power [Nm]	3 Nm
Total height [mm]	413 mm
Type	MT
Type designation	Compressor
Viscosity [cP]	32 cP
Winding resistance for three-phase compressors with identical windings [Ohm]	1.94 Ohm

Description

Product details

Gross weight 44.5 kg
 Net weight 42 kg
 EAN 5702428839525
 Gross weight 44.5 kg
 Net weight 42 kg
 EAN 5702428839525

Approval standard	CE UL
Brand technique	Reciprocating compressor
Capacity control	Fixed speed
Colour	Blue
Compressor power supply [V/Ph/Hz]	400/3/50 460/3/60
Configuration code	Single
Connection type	Rotolock
Cylinder	2
Description	MT080-4
Diameter [mm]	288 mm
Discharge connection height [mm]	74 mm
Discharge connection mounting torque [Nm]	90 N-m
Discharge connection pipe size [in]	3/4 in

Discharge connection rotolock size [in]	1 1/4 in
Discharge connection size [in]	1 1/4 in
Discharge connection sleeve pipe size [in]	3/4 in
Drawing number	8502012g
Economizer	No
Factory HP [bar]	25 bar
Factory LP [bar]	25 bar
Fitting remark	(shipped with rotolock version only)
Fitting sleeve	ODF
Fitting standard	Rotolock
Frequency [Hz]	50/60
Gauge port HP	None
Gauge port LP	Schrader
Generation code	B
Glass mounting	Threaded
Glass torque [Nm]	50 N-m
GP LP torque [Nm]	15 N-m
High side max pressure (Ps)	27.8 bar
High Side TS Max	150 Â°C
High Side TS Min	-35 Â°C
High Side Volume	0.6 L
High value of nominal voltage at 50Hz [V]	400 V
High value of nominal voltage at 60Hz [V]	460 V
High value of voltage range at 50Hz [V]	460 V
High value of voltage range at 60Hz [V]	506 V
IP protection class	IP55 (with cable gland)
Low side max pressure (Ps)	18.4 bar
Low Side TS Max	50 Â°C
Low Side TS Min	-35 Â°C
Low Side Volume	16.5 L
Low value of nominal voltage at 50Hz [V]	380 V
Low value of nominal voltage at 60Hz [V]	460 V
Low value of voltage range at 50Hz [V]	340 V
Low value of voltage range at 60Hz [V]	414 V
LRA	80 A
MCC	18.5 A
Model number	MT80HP4AVE
Motor protection	Internal overload protector
Mounting torque [Nm]	15 N-m
Nominal cooling capacity 60 kBTU/h	80.2 kBtu/h
Nominal cooling capacity at 50Hz	17.8 kW
Nominal cooling capacity at 60Hz	23.5 kW
Number of starts per hour [Max]	12
Oil charge [L]	1.8 L
Oil equalization	3/8" flare SAE
Oil equalization torque [Nm]	30 N-m

Oil reference	160P
Packaging height [mm]	455 mm
Packaging length [mm]	395 mm
Packaging weight [Kg]	44 kg
Packaging width [mm]	365 mm
Packing format	Single pack
Packing quantity	1
Phase	3
Power connections	Spade
Refrigerant	R22
Refrigerant charge [kg] [Max]	5 kg
Relief valve	30 bar/8 bar
Rotational speed at 50Hz [rpm]	2900 rpm
Rotational speed at 60Hz [rpm]	3500 rpm
Segment usage	Air conditioning Refrigeration MT
Shipped fittings	Suction and discharge solder sleeves, rotolock nuts and gaskets
Shipped instructions	Installation instructions
Shipped mounting	Mounting kit with grommets, bolts, nuts, sleeves and washers
Shipped oil	Initial oil charge
Suction connection height [mm]	265 mm
Suction connection mounting torque [Nm]	110 N-m
Suction connection pipe size [in]	1 1/8 in
Suction connection rotolock size [in]	1 3/4 in
Suction connection size [in]	1 3/4 in
Suction connection sleeve pipe size [in]	1 1/8 in
Swept volume [cm ³]	135.78 cm ³
Technology	Reciprocating
Test dif [bar] [Max]	30 bar
Test HP [bar] [Max]	30 bar
Test LP [bar] [Max]	25 bar
Torque earth [Nm]	3 N-m
Torque power [Nm]	3 N-m
Total height [mm]	413 mm
Type	MT
Type designation	Compressor
Viscosity [cP]	32 cP
Winding resistance for three-phase compressors with identical windings [Ohm]	1.94 Ohm
Approval standard	CE UL
Brand technique	Reciprocating compressor
Capacity control	Fixed speed

Colour	Blue
Compressor power supply [V/Ph/Hz]	400/3/50 460/3/60
Configuration code	Single
Connection type	Rotolock
Cylinder	2
Description	MT080-4
Diameter [mm]	288 mm
Discharge connection height [mm]	74 mm
Discharge connection mounting torque [Nm]	90 N-m
Discharge connection pipe size [in]	3/4 in
Discharge connection rotolock size [in]	1 1/4 in
Discharge connection size [in]	1 1/4 in
Discharge connection sleeve pipe size [in]	3/4 in
Drawing number	8502012g
Economizer	No
Factory HP [bar]	25 bar
Factory LP [bar]	25 bar
Fitting remark	(shipped with rotolock version only)
Fitting sleeve	ODF
Fitting standard	Rotolock
Frequency [Hz]	50/60
Gauge port HP	None
Gauge port LP	Schrader
Generation code	B
Glass mounting	Threaded
Glass torque [Nm]	50 N-m
GP LP torque [Nm]	15 N-m
High side max pressure (Ps)	27.8 bar
High Side TS Max	150 Â°C
High Side TS Min	-35 Â°C
High Side Volume	0.6 L
High value of nominal voltage at 50Hz [V]	400 V
High value of nominal voltage at 60Hz [V]	460 V
High value of voltage range at 50Hz [V]	460 V
High value of voltage range at 60Hz [V]	506 V
IP protection class	IP55 (with cable gland)
Low side max pressure (Ps)	18.4 bar
Low Side TS Max	50 Â°C
Low Side TS Min	-35 Â°C
Low Side Volume	16.5 L
Low value of nominal voltage at 50Hz [V]	380 V
Low value of nominal voltage at 60Hz [V]	460 V
Low value of voltage range at 50Hz [V]	340 V
Low value of voltage range at 60Hz [V]	414 V
LRA	80 A

MCC	18.5 A
Model number	MT80HP4AVE
Motor protection	Internal overload protector
Mounting torque [Nm]	15 N-m
Nominal cooling capacity 60 kBTU/h	80.2 kBtu/h
Nominal cooling capacity at 50Hz	17.8 kW
Nominal cooling capacity at 60Hz	23.5 kW
Number of starts per hour [Max]	12
Oil charge [L]	1.8 L
Oil equalization	3/8" flare SAE
Oil equalization torque [Nm]	30 N-m
Oil reference	160P
Packaging height [mm]	455 mm
Packaging length [mm]	395 mm
Packaging weight [Kg]	44 kg
Packaging width [mm]	365 mm
Packing format	Single pack
Packing quantity	1
Phase	3
Power connections	Spade
Refrigerant	R22
Refrigerant charge [kg] [Max]	5 kg
Relief valve	30 bar/8 bar
Rotational speed at 50Hz [rpm]	2900 rpm
Rotational speed at 60Hz [rpm]	3500 rpm
Segment usage	Air conditioning Refrigeration MT
Shipped fittings	Suction and discharge solder sleeves, rotolock nuts and gaskets
Shipped instructions	Installation instructions
Shipped mounting	Mounting kit with grommets, bolts, nuts, sleeves and washers
Shipped oil	Initial oil charge
Suction connection height [mm]	265 mm
Suction connection mounting torque [Nm]	110 N-m
Suction connection pipe size [in]	1 1/8 in
Suction connection rotolock size [in]	1 3/4 in
Suction connection size [in]	1 3/4 in
Suction connection sleeve pipe size [in]	1 1/8 in
Swept volume [cm3]	135.78 cm3
Technology	Reciprocating
Test dif [bar] [Max]	30 bar
Test HP [bar] [Max]	30 bar
Test LP [bar] [Max]	25 bar
Torque earth [Nm]	3 N-m

Torque power [Nm]	3 N-m
Total height [mm]	413 mm
Type	MT
Type designation	Compressor
Viscosity [cP]	32 cP
Winding resistance for three-phase compressors with identical windings [Ohm]	1.94 Ohm

Refrigerant: R22, Segment usage: Air conditioning;Refrigeration MT, Compressor power supply [V/Ph/Hz]: 400/3/50 460/3/60

Product details

Gross weight	44.5 kg
Net weight	42 kg
EAN	5702428839525
Gross weight	44.5 kg
Net weight	42 kg
EAN	5702428839525

Approval standard	CE UL
Brand technique	Reciprocating compressor
Capacity control	Fixed speed
Colour	Blue
Compressor power supply [V/Ph/Hz]	400/3/50 460/3/60
Configuration code	Single
Connection type	Rotolock
Cylinder	2
Description	MT080-4
Diameter [mm]	288 mm
Discharge connection height [mm]	74 mm
Discharge connection mounting torque [Nm]	90 N-m
Discharge connection pipe size [in]	3/4 in
Discharge connection rotolock size [in]	1 1/4 in
Discharge connection size [in]	1 1/4 in
Discharge connection sleeve pipe size [in]	3/4 in
Drawing number	8502012g
Economizer	No
Factory HP [bar]	25 bar
Factory LP [bar]	25 bar
Fitting remark	(shipped with rotolock version only)
Fitting sleeve	ODF
Fitting standard	Rotolock
Frequency [Hz]	50/60

Gauge port HP	None
Gauge port LP	Schrader
Generation code	B
Glass mounting	Threaded
Glass torque [Nm]	50 N-m
GP LP torque [Nm]	15 N-m
High side max pressure (Ps)	27.8 bar
High Side TS Max	150 Â°C
High Side TS Min	-35 Â°C
High Side Volume	0.6 L
High value of nominal voltage at 50Hz [V]	400 V
High value of nominal voltage at 60Hz [V]	460 V
High value of voltage range at 50Hz [V]	460 V
High value of voltage range at 60Hz [V]	506 V
IP protection class	IP55 (with cable gland)
Low side max pressure (Ps)	18.4 bar
Low Side TS Max	50 Â°C
Low Side TS Min	-35 Â°C
Low Side Volume	16.5 L
Low value of nominal voltage at 50Hz [V]	380 V
Low value of nominal voltage at 60Hz [V]	460 V
Low value of voltage range at 50Hz [V]	340 V
Low value of voltage range at 60Hz [V]	414 V
LRA	80 A
MCC	18.5 A
Model number	MT80HP4AVE
Motor protection	Internal overload protector
Mounting torque [Nm]	15 N-m
Nominal cooling capacity 60 kBTU/h	80.2 kBtu/h
Nominal cooling capacity at 50Hz	17.8 kW
Nominal cooling capacity at 60Hz	23.5 kW
Number of starts per hour [Max]	12
Oil charge [L]	1.8 L
Oil equalization	3/8" flare SAE
Oil equalization torque [Nm]	30 N-m
Oil reference	160P
Packaging height [mm]	455 mm
Packaging length [mm]	395 mm
Packaging weight [Kg]	44 kg
Packaging width [mm]	365 mm
Packing format	Single pack
Packing quantity	1
Phase	3
Power connections	Spade
Refrigerant	R22
Refrigerant charge [kg] [Max]	5 kg

Relief valve	30 bar/8 bar
Rotational speed at 50Hz [rpm]	2900 rpm
Rotational speed at 60Hz [rpm]	3500 rpm
Segment usage	Air conditioning Refrigeration MT
Shipped fittings	Suction and discharge solder sleeves, rotolock nuts and gaskets
Shipped instructions	Installation instructions
Shipped mounting	Mounting kit with grommets, bolts, nuts, sleeves and washers
Shipped oil	Initial oil charge
Suction connection height [mm]	265 mm
Suction connection mounting torque [Nm]	110 N-m
Suction connection pipe size [in]	1 1/8 in
Suction connection rotolock size [in]	1 3/4 in
Suction connection size [in]	1 3/4 in
Suction connection sleeve pipe size [in]	1 1/8 in
Swept volume [cm ³]	135.78 cm ³
Technology	Reciprocating
Test dif [bar] [Max]	30 bar
Test HP [bar] [Max]	30 bar
Test LP [bar] [Max]	25 bar
Torque earth [Nm]	3 N-m
Torque power [Nm]	3 N-m
Total height [mm]	413 mm
Type	MT
Type designation	Compressor
Viscosity [cP]	32 cP
Winding resistance for three-phase compressors with identical windings [Ohm]	1.94 Ohm
Approval standard	CE UL
Brand technique	Reciprocating compressor
Capacity control	Fixed speed
Colour	Blue
Compressor power supply [V/Ph/Hz]	400/3/50 460/3/60
Configuration code	Single
Connection type	Rotolock
Cylinder	2
Description	MT080-4
Diameter [mm]	288 mm
Discharge connection height [mm]	74 mm
Discharge connection mounting torque [Nm]	90 N-m
Discharge connection pipe size [in]	3/4 in
Discharge connection rotolock size [in]	1 1/4 in

Discharge connection size [in]	1 1/4 in
Discharge connection sleeve pipe size [in]	3/4 in
Drawing number	8502012g
Economizer	No
Factory HP [bar]	25 bar
Factory LP [bar]	25 bar
Fitting remark	(shipped with rotolock version only)
Fitting sleeve	ODF
Fitting standard	Rotolock
Frequency [Hz]	50/60
Gauge port HP	None
Gauge port LP	Schrader
Generation code	B
Glass mounting	Threaded
Glass torque [Nm]	50 N-m
GP LP torque [Nm]	15 N-m
High side max pressure (Ps)	27.8 bar
High Side TS Max	150 Â°C
High Side TS Min	-35 Â°C
High Side Volume	0.6 L
High value of nominal voltage at 50Hz [V]	400 V
High value of nominal voltage at 60Hz [V]	460 V
High value of voltage range at 50Hz [V]	460 V
High value of voltage range at 60Hz [V]	506 V
IP protection class	IP55 (with cable gland)
Low side max pressure (Ps)	18.4 bar
Low Side TS Max	50 Â°C
Low Side TS Min	-35 Â°C
Low Side Volume	16.5 L
Low value of nominal voltage at 50Hz [V]	380 V
Low value of nominal voltage at 60Hz [V]	460 V
Low value of voltage range at 50Hz [V]	340 V
Low value of voltage range at 60Hz [V]	414 V
LRA	80 A
MCC	18.5 A
Model number	MT80HP4AVE
Motor protection	Internal overload protector
Mounting torque [Nm]	15 N-m
Nominal cooling capacity 60 kBTU/h	80.2 kBtu/h
Nominal cooling capacity at 50Hz	17.8 kW
Nominal cooling capacity at 60Hz	23.5 kW
Number of starts per hour [Max]	12
Oil charge [L]	1.8 L
Oil equalization	3/8" flare SAE
Oil equalization torque [Nm]	30 N-m

Oil reference	160P
Packaging height [mm]	455 mm
Packaging length [mm]	395 mm
Packaging weight [Kg]	44 kg
Packaging width [mm]	365 mm
Packing format	Single pack
Packing quantity	1
Phase	3
Power connections	Spade
Refrigerant	R22
Refrigerant charge [kg] [Max]	5 kg
Relief valve	30 bar/8 bar
Rotational speed at 50Hz [rpm]	2900 rpm
Rotational speed at 60Hz [rpm]	3500 rpm
Segment usage	Air conditioning Refrigeration MT
Shipped fittings	Suction and discharge solder sleeves, rotolock nuts and gaskets
Shipped instructions	Installation instructions
Shipped mounting	Mounting kit with grommets, bolts, nuts, sleeves and washers
Shipped oil	Initial oil charge
Suction connection height [mm]	265 mm
Suction connection mounting torque [Nm]	110 N-m
Suction connection pipe size [in]	1 1/8 in
Suction connection rotolock size [in]	1 3/4 in
Suction connection size [in]	1 3/4 in
Suction connection sleeve pipe size [in]	1 1/8 in
Swept volume [cm ³]	135.78 cm ³
Technology	Reciprocating
Test dif [bar] [Max]	30 bar
Test HP [bar] [Max]	30 bar
Test LP [bar] [Max]	25 bar
Torque earth [Nm]	3 N-m
Torque power [Nm]	3 N-m
Total height [mm]	413 mm
Type	MT
Type designation	Compressor
Viscosity [cP]	32 cP
Winding resistance for three-phase compressors with identical windings [Ohm]	1.94 Ohm





Private Picture Copyright : WWW.MBSM.PRO

[Mbsm_dot_pro_private_PDF_MTZ80HP4-1Télécharger](#)

[Mbsm_dot_pro_private_PDF_MTZ80HP4Télécharger](#)

Compresseur à piston Danfoss Maneurop MT22JC5PVE (2.0HP / 1PH) Compresseur à piston Danfoss Maneurop MT22JC4AVE (2.0HP / 3PH) Compresseur à piston Danfoss Maneurop MT28JC5PVE (2.3HP / 1PH) Compresseur à piston Danfoss Maneurop MT22JC4AVE (2.0HP / 3PH) Compresseur à piston Danfoss Maneurop MT28JC5PVE (2.3HP / 1PH) Compresseur à piston Danfoss Maneurop 3PH (2.3HP / 1PH) 2.6HP / 1PH) Compresseur à piston Danfoss Maneurop MT32JF4DVE (2.6HP / 3PH); Compresseur à piston Danfoss Maneurop MT36JG5CVE (3.0HP / 1PH) Compresseur à piston Danfoss Maneurop MT36JG4FVE (3.0HP / 3PH) Compresseur à piston Danfoss Maneurop MT40JH4EVE (3.3HP / 3PH) Danfoss Maneurop Compresseur à piston MT36JG4FVE (3.0HP / 3PH) Compresseur à piston Danfoss Maneurop MT40JH4EVE (3.3HP / 3PH) Danfoss Maneurop Compresseur à piston MT36JG4FVE (3.0HP / 3PH) Compresseur à piston Danfoss Maneurop MT40JH4EVE (3.3HP / 3PH) Compresseur à piston Danfoss Maneurop 3KFHB4 (3.6HP / 3PH) 4.0HP / 3PH) Compresseur à piston Danfoss Maneurop MT56HL4BVE (4.6HP / 3PH) Compresseur à piston Danfoss Maneurop MT64HM4DVE (5.3HP / 3PH) Compresseur à piston Danfoss Maneurop MT72HN4AVE (6.0HP / 3PH) Compresseur à piston Danfoss Maneurop MT80HP4AVE (6.6HP / 3PH) Compresseur à piston Danfoss Maneurop MT72HN4AVE (6.0HP / 3PH) Compresseur à piston Danfoss Maneurop MT80HP4AVE (6.6HP / 3PH) Compresseur à piston Danfoss Maneurop 4.0 Compresseur à piston MT144HV4AVE (12,0HP / 3PH) Compresseur à piston Danfoss Maneurop MT160HW4EVE (13.3HP / 3PH) Compresseur à piston Danfoss Maneurop MTZ22JC5VE (2.0HP / 1PH); [R134A, R404] Compresseur à piston Danfoss Maneurop MTZ22JC4AVE

(2.0HP / 3PH); [R134A, R404] Compresseur à piston Danfoss Maneurop MTZ28JE5AVE
(2,3 HP / 1PH); [R134A, R404] Compresseur à piston Danfoss Maneurop MTZ28JE4AVE
(2,3 HP / 3PH); [R134A, R404] Compresseur à piston Danfoss Maneurop MTZ32JF5AVE
(2,6 CV / 1PH); [R134A, R404] Compresseur à piston Danfoss Maneurop MTZ32JF4BVE
(2.6HP / 3PH); [R134A, R404] Compresseur à piston Danfoss Maneurop MTZ36JG5AVE
(3.0HP / 1PH); [R134A, R404] Compresseur à piston Danfoss Maneurop MTZ36JG4BVE
(3.0HP / 3PH); [R134A, R404] Compresseur à piston Danfoss Maneurop MTZ40JH4AVE
(3,3 CV / 3PH); [R134A, R404] Compresseur à piston Danfoss Maneurop MTZ50HK4CVE
(4,0 CV / 3PH); [R134A, R404] Compresseur à piston Danfoss Maneurop MTZ56HL4BVE
(4,6 CV / 3PH); [R134A, R404] Compresseur à piston Danfoss Maneurop MTZ64HM4CVE
(5,3 HP / 3PH); [R134A, R404] Compresseur à piston Danfoss Maneurop MTZ72HN4AVE
(6,0 CV / 3PH); [R134A, R404] Compresseur à piston Danfoss Maneurop MTZ80HP4AVE
(6,6 CV / 3PH); [R134A, R404] Compresseur à piston Danfoss Maneurop MTZ100HS4VE
(8,3 CV / 3 PH); [R134A, R404] Compresseur à piston Danfoss Maneurop MTZ125HU4VE
(10.0HP / 3PH); [R134A, R404] Compresseur à piston Danfoss Maneurop MTZ144HV4AVE
(12,0 HP / 3PH); [R134A, R404] Compresseur à piston Danfoss Maneurop
MTZ160HE4AVE (13,3 HP / 3PH); [R134A, R404] Compresseur à piston Danfoss
Maneurop NTZ048A4LR1A (2.0HP / 3PH); [R134A, R404, R507] Compresseur à piston
Danfoss Maneurop NTZ068A4LR1A (3,5 CV / 3PH); [R134A, R404, R507] Compresseur à
piston Danfoss Maneurop NTZ096A4LR1A (4,5 CV / 3PH); [R134A, R404, R507]
Compresseur à piston Danfoss Maneurop NTZ108A4LR1A (5,0 CV / 3PH); [R134A, R404,
R507] Compresseur à piston Danfoss Maneurop NTZ136A4LR1A (6,5 CV / 3PH); [R134A,
R404, R507] Compresseur à piston Danfoss Maneurop NTZ215A4LR1A (10,0 HP /
3PH); [R134A, R404, R507] Compresseur à piston Danfoss Maneurop NTZ271A4LR1A
(13.0HP / 3PH); [R134A, R404, R507] COMPRESSEUR MANEUROP 2.0HP MT22 MANEUROPE
2.0HP MT22 COMPRESSEUR MANEUROP COMPRESSEUR MTZ-22JE-4VE R404A MANEUROPE 2.30HP
MT28JE-5PVE MT28-5VI / MT28-5VM COMPRESSEUR MANEUROP 2.30HP MT28JE-5PVE MT28-5VI
/ MT28-5VM COMPRESSEUR MANEUROPEUR 2.30H5 / R404A) COMPRESSEUR MANEUROP 2.8HP
MTZ32-5VM (R134a / R404A / R507) COMPRESSEUR MANEUROP MT32JF5MVE 2-3 / 4HP
((R22) COMPRESSEUR MANEUROP 3.0HP MT36JG4FVE (MT36-4VI / MT36-4VM) (R22)
COMPRESSEUR 3.0HP COMPRESSEUR MT36 MANEUROP 3.3HP MT40JH4EVE COMPRESSEUR
MANEUROP 3.3HP MTZ40-JH4AVE COMPRESSEUR (R407A / C / F / R134A / R404A / R507)
Compresseur MANEUROP MTZ-36-JG4AVE (R407C / R134a / R404A-R407C / R134a / R404A)
-Compresseur JH4AVE (R134a / R404A) – Compresseur 3.3HP 3PH MANEUROP MTZ-44-
HJ4AVE (R134a / R404A) – 3. 5HP 3PH MANEUROP 4HP MTZ-50HK-4CVE (MTZ50-4VI /
MTZ50-4VM) COMPRESSEUR (R134A / R404A) MANEUROP MTZ56HL3BVE R407c, R134a, R507a,
R404a compresseur MANEUROP MT-64-4VM COMPRESSEUR MANEUR 64-4VM COMPRESSEUR
MANEUR COMPRESSEUR MT72-4VM COMPRESSEUR MANEUROP MT-80-4VM (6.5HP) Compresseur
MANEUROP 6.6HP MT81HP4AVE COMPRESSEUR MANEUROP MTZ80HM4DVE COMPRESSEUR MANEUROP
8.5HP MT100-4VM COMPRESSEUR MANEUROPE 10HP MT100-4VM (MT100HS4DVE) COMPRESSEUR
10HP MT100-4VM (MT100HS4DVE) COMPRESSEUR MT12M10 MANHOP 4-COMPRESSEUR 10HP R22)
COMPRESSEUR MANEUROP 10HP MTZ125HW4AVE (R404A / R134A / R507 / R407C)
COMPRESSEUR MANEUROPE 12HP MT144-4VM COMPRESSEUR MANEUROPE 13.3HP MT160-4VM
(MT160HW4DVE) COMPRESSEUR MANZVMER 10 COMPRESSEUR MANZVM4 (MT160HW4DVE) / 2 ‘)
SER. KIT POUR MT-28 MANEUROP 7703009 (1-1 / 8 ‘& 3/4’) SER.

Réfrigerator, Freezer, GR-B562YLC, 420L, 20 Feet, Compressor, 1/3HP, R134A, 135G , LG GR-B562YLC, Bio Shield, Vitamin Plus, Carbon deodorizer

Category: compressor, Freezer, Technologie

written by www.mbsm.pro | 12 December 2021

BRAND TYPE Rp (000) FEATURES

ELECTROLUX ERM-1500 Rp.1588 154lt, Semi Auto Defrost, Low Voltage

LG GC-051SA 1220 46 lt Portable refrigerator

LG GN-V191RL Rp.1551 190lt, Semi Auto Defrost, vertical handle

LG GN-V191RLK Rp.- 190lt, Semi Auto Defrost, XL freezer, Door Lock

LG GN-V191SL Rp.1561 190lt, Semi Auto Defrost, horizontal handle

LG GN-V191SLT Rp.1531 190lt, Semi Auto Defrost, Direct Cooling, Magic Crisper

LG GN-V231RL Rp.1721 230lt, Semi Auto Defrost, vertical handle

LG GN-V231SL Rp.1671 230lt, Semi Auto Defrost, horizontal handle

PANASONIC NR-A172D-ST Rp.1539 155 Lt, Alowa +, Colour: Stainless

PANASONIC NR-A172M Rp.1429 155 Lt, Alowa +, Colour: Orange, Night Blue & Savanna Green

PANASONIC NR-A172S Rp.1399 155 Lt, Alowa +, Colour: Moccachino, Black coffee hairline

PANASONIC NR-A192D-ST Rp.1639 164 Lt, Alowa +, Colour: Stainless

PANASONIC NR-A192M Rp.1499 164 Lt, Alowa +, Colour: Orange, Night Blue & Savanna Green

PANASONIC NR-A192S Rp.1499 164 Lt, Alowa +, Colour: Moccachino, Black coffee hairline

SAMSUNG RA-19PTMU Rp.- 190Lt, Direct cooling, Anti Bacterial Gasket

SAMSUNG RA-19PTPG Rp.- 190Lt, Direct cooling, Anti Bacterial Gasket

SAMSUNG RA-19PTTS Rp.- 190Lt, Door Alarm: 2 min, Anti bacterial gasket

SAMSUNG RA-21PTTS Rp.- 210Lt, Direct cooling, Anti Bacterial Gasket

SANYO SR-D167SB Rp.1290 Semi Auto Defrost, Direct Cooling System

SANYO SR-D182SB Rp.1430 160 lt, Semi auto defrost, 505x510x1160, colour: batik red

SANYO SR-D187SB Rp.1339 Semi Auto Defrost, Direct Cooling System

SANYO SR-D188SB Rp.1490 160 lt, Semi auto defrost, 505x510x1160

SANYO SR-D216SB Rp.1490 Semi auto defrost, 505 x 510 x 1310

SANYO SR-D50 Rp.- 50 lt, 22w, Super silent compressor

SANYO SR-D75 Rp.- 75 lt, 24w, Super silent compressor

SHARP SJ-S170T-RD Rp.1627 SAMURAI series, 160 lt, Anti Bacteria, Semi Auto Defrost

SHARP SJ-S190T-RD Rp.1697 SAMURAI series, 170 lt, Anti Bacteria, Semi Auto Defrost

SHARP SJ-S200T-RD Rp.1747 SAMURAI series, 170 lt, Anti Bacteria, Semi Auto Defrost

SHARP SJ-D17T-SL Rp.1919 Knight series, 150 Lt, Semi Auto Defrost

SHARP SJ-17MKII Rp.1437 170lt, Low voltage, Gripless Handle
SHARP SJ-19MKII Rp.1527 170lt, Low voltage, Gripless Handle
SHARP SJ-22SE Rp.- 180lt, Extra Big Freezer, Semi Auto Defrost
SHARP SJ-G191T Rp.1627 170 Lt, Lemon Series Refrigerator, Low voltage
SHARP SJ-G200T Rp.- Lemon Series Refrigerator, Honeycomb Deodorizer
SHARP SJ-G220T Rp.- Lemon Series Refrigerator, Low voltage
SHARP SJ-K170T Rp.- Lemon Series Refrigerator, Anti Bacteria, Key
SHARP SJ-K190T Rp.- Lemon Series Refrigerator, Anti Bacteria, Key
SHARP SJ-K230T Rp.- Lemon Series Refrigerator, Anti Bacteria, Key
TOSHIBA GR-N9P Rp.1282 70 lt, Portable, Ultra Direct Cooling, Glacio XD7
TOSHIBA GR-N155BC Rp.1281 120 lt, 22 w, Glacio XD7
TOSHIBA GR-N175BC Rp.1422 150 lt, 25 w, Glacio XD7
TOSHIBA GR-N178JZ-T Rp.1422 Glacio Jazz series, Silver ion anti bacteria,
Colour:
Titanium
TOSHIBA GR-N178JZ-W Rp.1422 Glacio Jazz series, Silver ion anti bacteria,
Colour:
White
TOSHIBA GR-N185BCH Rp.1422 160 lt, 27 w, Glacio XD7
TOSHIBA GR-N188JZ-T Rp.1521 Glacio Jazz series, Silver ion anti bacteria,
Colour:
Titanium
TOSHIBA GR-N188JZ-W Rp.1521 Glacio Jazz series, Silver ion anti bacteria,
Colour:
White
TOSHIBA GR-N195C Rp.1477 165 lt, 27 w, Glacio XD7
TOSHIBA GR-N198 Rp.- 165 Lt, Glacio XD7, Silver Ion Anti Bacteria, 27W
TOSHIBA GR-N228 Rp.- 180 Lt, Glacio XD7, Silver Ion Anti Bacteria, 30W
TOSHIBA GR-N198W Rp.- 165 Lt, Dispenser, Glacio XD7, Silver Ion Anti Bacteria,
27W
TOSHIBA GR-N228W Rp.- 180 Lt, Dispenser, Glacio XD7, Silver Ion Anti Bacteria,
30W
= FREEZER =
BRAND TYPE Rp (000) FEATURES
SANYO HF-S4LL Rp.1929 120 lt, 4 rak
SANYO HF-S6L Rp.2229 180 lt, 6 rak
TOSHIBA GF-K149 Rp.1881 4 rak, kunci
TOSHIBA GF-K169 Rp.2021 5 rak, kunci
TOSHIBA GF-K189 Rp.2181 6 rak, kunci
= KULKAS 2 PINTU / 2 DOORS REFRIGERATOR =
BRAND TYPE Rp (000) FEATURES
ELECTROLUX ETB-1800PC Rp.2848 180 Lt, Jet Air Cooling System, Deodorizer, Door
alarm
ELECTROLUX ETB-2300PC Rp.3488 230 Lt, Multi Airflow System, Deo Fresh Active,
Door
alarm
ELECTROLUX ETB-2600PC Rp.4388 260 Lt, Multi Airflow System, Deo Fresh Active,
Door
alarm
ELECTROLUX ETB-3200PC Rp.4888 320 Lt, Multi Airflow System, Deo Fresh Active,

Door

alarm

ELECTROLUX ETE-4407SD Rp.8088 440 Lt, Jet Air Curtain System, UV Platinum deodorizer

ELECTROLUX ETM-4407PD Rp.7289 440 Lt, Jet Air Curtain System, Active Deo, Colour:

Silver

ELECTROLUX ETM-4407SD Rp.7729 440 Lt, Jet Air Curtain System, Active Deo, Colour:

Stainless

ELECTROLUX ETM-5107SD Rp.8689 520 Lt, Active Hybrid Deodorizer, Colour: Stainless

ELECTROLUX ETE-5107SD Rp.8999 522 Lt, UV Platinum Deo, LED display, Colour: Stainless

LG GN-V212RL Rp.2283 210 lt, Vit + Ion, Multi Airflow Cooling System

LG GN-V212RP Rp.2589 210 Lt, Health+ system, Vitamin+

LG GN-V212SL Rp.2179 210 lt, Multi Airflow Cooling System

LG GN-V212SLT Rp.2179 210 lt, Multi Airflow Cooling System

LG GN-V222RLT Rp.2489 220 lt, Vit + Ion, Multi Airflow Cooling System

LG GN-V222RP Rp.2839 220 Lt, Health+ system, Vitamin+

LG GN-V222SLT Rp.2289 220 lt, Vit + Ion, Multi Airflow Cooling System

LG GN-V262RLC Rp.2849 234 lt, Multi Airflow, Moist Balance Crisper

LG GN-V262RLCT Rp.2849 234 lt, Vitamin Plus, Moist Balance Crisper

LG GN-V282RLC Rp.2979 253 lt, , Multi Airflow, Moist Balance Crisper

LG GN-V282RLCT Rp.2989 253 lt, Vitamin Plus, Moist Balance Crisper

LG GN-B352CLC Rp.3849 291lt Nett capacity, Vitamin Plus, Ion Carbon Deodorizer

LG GN-M352CLN Rp.4349 288 lt Nett capacity, Bio Shield, Vitamin Plus, LED display

LG GN-B392CLC Rp.4139 321lt Nett capacity, Vitamin Plus, Ion Carbon Deodorizer

LG GN-M352CPC Rp.4241 288 lt Nett capacity, Door Cooling, Vit Plus, Green Ion Deo,

Flora finishing

LG GN-M352CPC-APG Rp.4229 288 lt Nett capacity, Door Cooling, Vit Plus, Green Ion Deo,

Flora finishing

LG GN-M392CPC Rp.4459 318 lt Nett capacity, Door Cooling, Vit Plus, Green Ion Deo,

Flora finishing

LG GN-M392CPC-APG Rp.4459 288 lt Nett capacity, Door Cooling, Vit Plus, Green Ion Deo,

Flora finishing

LG GN-B492CLC Rp.- 393 lt Nett capacity, Vitamin Plus, Ion Carbon Deodorizer

LG GN-B492GLC Rp.4689 490Lt, Fresh OZone, Bigger Fruits & Veggie Box

LG GN-M492CLN Rp.5369 388 lt Nett capacity, Bio Shield, Vitamin Plus, LED display

LG GN-M492CPC Rp.- 388 lt Nett capacity, Door Cooling, Vit Plus, Green Ion Deo, Flora finishing

LG GN-M492CPC-APG Rp.5239 388 lt Nett capacity, Door Cooling, Vit Plus, Green Ion Deo,

Flora finishing

LG GN-M492GLH Rp.5551 490Lt, Anti-Bacterial Health Guard, Ext Temperature Control

LG GN-M492GPC Rp.5459 490Lt, Green Ion Door Cooling, External Temperature Control

LG GN-B562GLC Rp.5159 560Lt, Fresh OZone, Bigger Fruits & Veggie Box

LG GN-M562GLH Rp.6081 560Lt, Anti-Bacterial Health Guard, Ext Temperature Control

LG GN-M562GPC Rp.5682 560Lt, Green Ion Door Cooling, External Temperature Control

LG GN-B602GLC Rp.5749 600Lt, Fresh OZone, Bigger Fruits & Veggie Box

LG GN-M602GPC Rp.6172 600Lt, Green Ion Door Cooling, External Temperature Control

LG GN-M602GLH Rp.6581 600Lt, Anti-Bacterial Health Guard, Ext Temperature Control

LG GN-B702GPC Rp.7229 700Lt, Green Ion Door Cooling, External Temperature Control

LG GN-M702GLH Rp.7881 700Lt, Anti-Bacterial Health Guard, Ext Temperature Control

LG GN-M702GPH Rp.8121 700Lt, Anti-Bacterial Health Guard, Ext Temperature Control

PANASONIC NR-B222M Rp.2399 210 Lt, Eco compressor (Energy saving up to 30%), Colour: Coral Blue, Savanna Green, Sapphire Violet

PANASONIC NR-B222R Rp.2399 210 Lt, Eco compressor (Energy saving up to 30%), Colour: Lily Starlight Silver, Lily Praline Brown

PANASONIC NR-B222S-H Rp.2399 210 Lt, Eco compressor (Energy saving up to 30%), Colour: Iris Black Hairline

PANASONIC NR-B262M Rp.2582 223 Lt, Eco compressor (Energy saving up to 30%), Colour: Coral Blue, Savanna Green, Sapphire Violet

PANASONIC NR-B262R Rp.2659 223 Lt, Eco compressor (Energy saving up to 30%), Colour: Lily Starlight Silver, Lily Praline Brown

PANASONIC NR-B262S-H Rp.2659 223 Lt, Eco compressor (Energy saving up to 30%), Colour: Iris Black Hairline

SAMSUNG RT-2A SRTS1 Rp.- 196LT, Humidity adjustable for optimal freshness and nutrients

SAMSUNG RT-2B SLTS Rp.- 280 Lt, Silver Nano deodorizer, Coolever zone

SAMSUNG RT-2B SRIS Rp.- 280 Lt, Cool Pack, Silver Plus deo, Colour: inox silver

SAMSUNG RT-41TSGL Rp.5441 336 Lt, Cool Pack, Silver Plus deo, Colour: glass door

SAMSUNG RT-45USGL Rp.5781 450 Lt, Cool Pack, Silver Plus deo, Colour: glass door

SANYO SR-D225NSB Rp.2339 Nano Ferrite Filter, Carbon deodorizer

SANYO SR-D245NSB Rp.2649 Nano Ferrite Filter, Carbon deodorizer

SHARP SJ-F201C-HD Rp.2382 2337 BATIQUÉ Series, 173 Lt, Automatic Defrosting

SHARP SJ-F231C-HD Rp.2633 2547 BATIQUÉ Series, 180 Lt, Automatic Defrosting

SHARP SJ-F201S-RD Rp.2578 2387 SAMURAI series, 170 lt, Anti bacteria

SHARP SJ-F231S-RD Rp.2615 2582 SAMURAI series, 180 lt, Anti bacteria

SHARP SJ-F201G Rp.- Fresh Lemon Series Refrigerator, Low Voltage

SHARP SJ-F231G – Fresh Lemon Series Refrigerator, Low Voltage

SHARP SJ-F232G – 180 lt, Fresh Lemon Series, Low Voltage

SHARP SJ-F233G – 180 lt, Fresh Lemon Series, Low Voltage

SHARP SJ-F232K Rp.- 180 lt, Fresh Lemon Series, Low Voltage, Door key

SHARP SJ-F240G Rp.- 221 lt, Fresh Lemon Series, Low Voltage

SHARP SJ-D22LV-SL Rp.- 195 lt, Lemon Series Refrigerator, Low Voltage
SHARP SJ-D27LV-SL Rp.- 210 lt, Lemon Series Refrigerator, Low Voltage
SHARP SJ-D30LV-SL Rp.- 235 lt, Lemon Series Refrigerator, Low Voltage
SHARP SJ-291NLV-SL Rp.- 260 lt, Lemon Series Refrigerator, Low Voltage
SHARP SJ-351NLV-SL Rp.- 300 lt, Lemon Series Refrigerator, Low Voltage
SHARP SJ-F420G-SS Rp.3727 310 lt, King Samurai Series, No Frost, Deodorizer
SHARP SJ-F420G-PS Rp.3927 310 lt, King Samurai Series, No Frost, Deodorizer
SHARP SJ-431NLV-SL Rp.- 320 lt, Lemon Series Refrigerator, Low Voltage
SHARP SJ-P470NLV-SL Rp.5757 367 lt, Vetro Series, Plasmacluster Ion, Colour: Silver
SHARP SJ-P470NLV-B Rp.5887 367 lt, Vetro Series, Plasmacluster Ion, Colour: Black
SHARP SJ-P471NLV-GS Rp.6482 367 lt, Vetro Series, Plasmacluster Ion, Colour: Glass Silver
SHARP SJ-P471NLV-GB Rp.6682 367 lt, Vetro Series, Plasmacluster Ion, Colour: Glass Black
SHARP SJ-P570NLV-SL Rp.- 397 lt, Vetro Series, Plasmacluster Ion, Colour: Silver
SHARP SJ-P570NLV-B Rp.- 397 lt, Vetro Series, Plasmacluster Ion, Colour: Black
SHARP SJ-P571NLV-GS Rp.- 397 lt, Vetro Series, Plasmacluster Ion, Colour: Glass Silver
SHARP SJ-P571NLV-GB Rp.- 397 lt, Vetro Series, Plasmacluster Ion, Colour: Glass Black
SHARP SJ-461NLV Rp.- 367 lt, SALSA Series Refrigerator, Hybrid Cooling System
SHARP SJ-P461NLV Rp.- 443 lt, SALSA Series Refrigerator, Plasmacluster Ion System
SHARP SJ-561NLV Rp.- 397 lt, SALSA Series Refrigerator, Hybrid Cooling System
SHARP SJ-P561NLV Rp.- 478 lt, SALSA Series Refrigerator, Plasmacluster Ion System
SHARP SJ-P581NLV Rp.- 437 lt, SALSA Series Refrigerator, Hybrid Cooling System, Plasmacluster, Advance LEC Control, Nano Deodorizer
SHARP SJ-P651NLV Rp.- 473 lt, SALSA Series Refrigerator, Hybrid Cooling System, Plasmacluster, Advance LEC Control, Nano Deodorizer
SHARP SJ-P751NLV Rp.- 514 lt, SALSA Series Refrigerator, Hybrid Cooling System, Plasmacluster, Advance LEC Control, Nano Deodorizer
SHARP SJ-P851NLV Rp.- 555 lt, SALSA Series Refrigerator, Hybrid Cooling System, Plasmacluster, Advance LEC Control, Nano Deodorizer
SHARP SJ-WS400T Rp.9347 326 Lt, Dual Swing Door, Energy Saving with Inverter
TOSHIBA GR-M245E Rp.2141 180 lt, No Frost, Glacio XD7
TOSHIBA GR-M245D Rp.2391 180 lt, No Frost, Deodorizer, Glacio XD7
TOSHIBA GR-M265D Rp.2731 216 lt, No Frost, Deodorizer, Glacio XD7
TOSHIBA GR-M258 Rp.2291 216 lt Glacio Jazz, No Frost, Low Voltage
TOSHIBA GR-R21ET Rp.- Import, 180 lt, Health series, Platinum Deodorizer
TOSHIBA GR-R25ET Rp.3491 Import, 228 lt, Health series, Platinum Deodorizer
TOSHIBA GR-R35ED Rp.4551 Import, 280 lt, Hybrid Plasma Deo, AG+ Crisper
TOSHIBA GR-R42ED Rp.4921 Import, 320 lt, Hybrid Plasma Deo, AG+ Crisper
TOSHIBA GR-R48ED Rp.- Import, 401 lt, Hybrid Plasma Deo
TOSHIBA GR-R51ED Rp.5621 Import, 401 lt, Hybrid Plasma Deo, AG+ Crisper
TOSHIBA GR-R58ED Rp.7381 6661 Import/Complete Built-up, 500 lt, Hybrid Plasma Deo
TOSHIBA GR-R66ED Rp.8725 8261 Import/Complete Built-up, 590 lt, Hybrid Plasma

Deo

TOSHIBA GR-RG43ED Rp.- Import, 355 lt, Hybrid Plasma Deo, Glass door

TOSHIBA GR-RG46ED Rp.5621 Import, 410 lt, Hybrid Plasma Deo, AG+ Crisper, Glass door

TOSHIBA GR-RG48ED Rp.- Import, 410 lt, Hybrid Plasma Deo, Glass door

TOSHIBA GR-RG51ED Rp.- Import, 500 lt, Hybrid Plasma Deo, AG+ Crisper, Glass door

TOSHIBA GR-RG58ED Rp.7851 Import, 500 lt, Hybrid Plasma Deo, Glass door

TOSHIBA GR-RG66ED Rp.8961 Import, 590 lt, Hybrid Plasma Deo, Glass door

= KULKAS 3 PINTU / 3 DOORS REFRIGERATOR =

BRAND TYPE Rp (000) FEATURES

ELECTROLUX ETB-2603PC Rp.4889 Deo Fresh Active, Multi Airflow System

TOSHIBA GR-R50EDV Rp.6129 Import/Complete Built-up, 3 doors

SIDE-BY-SIDE REFRIGERATOR

ELECTROLUX ESE-5608TA Rp.13828 555 lt, Crisper with Adjustable Humidity Control

LG GC-B207BLQ Rp.9222 581 lt, Icebeam Door Cooling System, LED Display

LG GC-B207CLC Rp.8151 581 lt, Bio Shield, Moist Balance™ Crisper, Digital Sensor

LG GC-B207CPC Rp.8289 8222 581 lt, Green Health Plus, Moist Balance™ Crisper

LG GC-L207BLK Rp.12889 LED Lighting, Tall ice & water dispenser

LG GR-B207BLQ Rp.8879 581 lt, LED Temperature Control, Bio Shield, Super Cool

LG GR-B217LGJ Rp.15382 581 lt, LED Temperature Control, Bio Shield Flower Pattern

LG GR-L207BLK Rp.- 567 lt, Icebeam Door Cooling System, Water & Ice Dispenser

MODENA RF-2561 Rp.8333 618Lt, Humidity controller crisper, Multi air flow

MODENA RF-2565 Rp.14343 608Lt, LED Temperature control, Ice & water dispenser

MODENA RF-4862 Rp.16663 610Lt, 4 Doors, Fast Freeze, Active Vita Crisper

= SHOWCASE COOLER =

BRAND TYPE Rp (000) FEATURES

DOMO DS 1200 Rp.2453 200 Lt showcase display cooler, 0 °C-10 °C

DOMO DS 1250 Rp.2757 2543 250 Lt showcase display cooler, 0 °C-10 °C

DOMO DS 1300 Rp.2853 300 Lt showcase display cooler, 0 °C-10 °C

DOMO DS 1400 Rp.3354 400 Lt showcase display cooler, 0 °C-10 °C

GEA EXPO 50 Rp.1491 50 Lt, 2°C – 8°C, fan cooling system, 1shelf

GEA EXPO 90 Rp.1991 90 Lt, 2°C – 8°C, fan cooling system, 4 shelves

GEA EXPO 136 Rp.2221 136 Lt, 2°C – 8°C, fan cooling system, 3 shelves

GEA EXPO 218HS Rp.2951 210 Lt, 2°C – 8°C, fan cooling system, 4 shelves

GEA EXPO 268HS Rp.3076 260 Lt, 2°C – 8°C, fan cooling system, 5 shelves

GEA EXPO 280P Rp.3471 280 Lt, 2°C – 8°C, No Frost Premium series, 4 shelves

GEA EXPO 368HS Rp.3481 360 Lt, 2°C – 8°C, fan cooling system, 5 shelves

GEA EXPO 450P Rp.5476 400 Lt, 2°C – 8°C, No Frost Premium series, 5 shelves

GEA EXPO 480 Rp.6332 6221 480 Lt, 2°C – 8°C, No Frost Premium, 6 shelves

GEA EXPO 200 Rp.- 200 Lt, 2°C – 8°C, fan cooling system, 3 shelves

GEA EXPO 250 Rp.- 250 Lt, 2°C – 8°C, fan cooling system, 5 shelves

GEA EXPO 350 Rp.- 350 Lt, 2°C – 8°C, fan cooling system, 5 shelves

GEA EXPO 420DD Rp.- 420 Lt, 2°C – 8°C, fan cooling system, 5 shelves

MODENA SC-1130 Rp.2048 130 Lt showcase display cooler, 0 °C-10 °C

MODENA SC-1150 Rp.2281 150 Lt showcase display cooler, 0 °C-10 °C

MODENA SC-1180 Rp.2423 180 Lt showcase display cooler, 0 °C-10 °C

MODENA SC-1200 Rp.- 200 Lt showcase display cooler, 0 °C-10 °C

MODENA SC-1260 Rp.3740- 2953 260 Lt showcase display cooler, 0 °C-10 °C

MODENA VM-1320 Rp.- 320 Lt showcase display cooler, 0 °C-10 °C
 MODENA VM-1350 Rp.3583 350 Lt showcase display cooler, 0 °C-10 °C
 MODENA VM-1380 Rp.- 380 Lt showcase display cooler, 0 °C-10 °C
 MODENA VM-1410 4982 4084 410 Lt showcase display cooler, 0 °C-10 °C
 POLYTRON SCP-122LE Rp.2328 Big capacity, Non CFC, Low energy consumption
 POLYTRON SCP-123 Rp.2448 Big capacity, Non CFC, Low energy consumption, Bottle opener
 POLYTRON SCP-150 Rp.2528 180 Lt, Non CFC, Low energy consumption, 540x660x1525mm
 POLYTRON SCP-151 Rp.2559 Big capacity, Non CFC, Low energy consumption, Bottle opener
 POLYTRON SCP-156T Rp.2480 170Lt, IPM LED Timer, 3 Shelves
 POLYTRON SCP-157T Rp.2580 170Lt, IPM LED Timer, 3 Shelves, Bottle opener, Door handle
 POLYTRON SCP-161 Rp.2728 180 Lt, 3 Shelves, Bottle opener, No Frost
 POLYTRON SCP-1170 Rp.2687 230 Lt, Non CFC, Low energy consumption, 540x660x1785mm
 POLYTRON SCP-1171 Rp.2788 Big capacity, Non CFC, Low energy consumption, Bottle opener
 POLYTRON SCP-1181 Rp.2968 230 Lt, 4 Shelves, Bottle opener, No Frost
 SANSIO SAN-238SC Rp.3543 4 Shelves, 55 x 54 x 177 cm
 SANSIO SAN-288SC Rp.3853 4 Shelves, 58 x 61 x 182 cm
 SANSIO SAN-368SC Rp.4283 4 Shelves, 58 x 61 x 198 cm
 SANSIO SAN-278SC Rp.4543 4 Shelves Premium series display showcase cooler
 SANSIO SAN-378SC Rp.4993 5 Shelves Premium series display showcase cooler
 SANSIO SAN-248 Rp.- 248 Lt, 4 Shelves, Premium series display showcase cooler
 SANSIO SAN-338 Rp.- 338 Lt, 5 Shelves, Premium series display showcase cooler
 SANSIO SAN-428SC Rp.5733 408 Lt, 5 Shelves, Premium series display showcase cooler
 SANSIO SAN-888 Rp.8943 888 Lt, 2 Doors, 10 Shelves, 0° to +10°C
 SANSIO SAN-1188 Rp.9953 1188 Lt, 2 Doors, 10 Shelves, 0° to +10°C
 SANSIO SAN-1488 Rp.1488 Lt, 2 Doors, 10 Shelves, 0° to +10°C
 Back to top
 = CHEST FREEZER =
 BRAND TYPE Rp (000) FEATURES
 DOMO DF 1100 Rp.1644 100 Lt chest freezer, - 18°C
 DOMO DF 1155 Rp.1829 155 Lt chest freezer, - 18°C
 DOMO DF 1205 Rp.2044 205 Lt chest freezer, - 25°C
 DOMO DF 1300 Rp.2734 300 Lt chest freezer, - 25°C
 GEA AB-108 Rp.1972 105 Lt, - 28°C, Lock
 GEA AB-201TX Rp.2629 194 Lt, - 28°C, Lock
 GEA AB-201TC Rp.3081 194 Lt, - 28°C, Lock, suhu bisa dirubah ke chiller +2° s/d +8°C
 GEA AB-271 Rp.3151 295 Lt, - 28°C, Lock
 GEA AB-396T Rp.4121 386 Lt, - 28°C, Lock
 GEA AB-506T Rp.4831 492 Lt, - 28°C, Lock
 GEA AB-600T Rp.5341 607 Lt, - 28°C, Lock
 GEA AB-600TC Rp.6521 607 Lt, - 28°C, Lock
 GEA AB-750T Rp.5961 750 Lt, - 28°C, Lock
 MODENA MD-10 Rp.2188 100 Lt chest freezer, - 25°C
 MODENA MD-15 Rp.2383 155 Lt chest freezer, - 25°C

MODENA MD-20A Rp.2695 205 Lt chest freezer, - 25°C
MODENA MD-30 Rp.3883 300 Lt chest freezer, - 25°C
MODENA MD-45 Rp.5033 450 Lt chest freezer, - 25°C
MODENA MD-60 Rp.5433 600 Lt chest freezer, - 25°C
MODENA MD-75 Rp.6783 750 Lt chest freezer, - 25°C
MODENA MD-95 Rp.8983 950 Lt chest freezer, - 25°C
SANSIO SAN-148F Rp.2033 142 Lt, Temperatur range: -25° to -32°C
SANSIO SAN-218F Rp.2543 215 Lt, Temperatur range: -25° to -32°C
SANSIO SAN-318F Rp.3343 318 Lt, Temperatur range: -25° to -32°C
SANSIO SAN-418F Rp.4543 418 Lt, Temperatur range: -25° to -32°C
SANSIO SAN-518F Rp.5653 518 Lt, Temperatur range: -25° to -32°C
SANSIO SAN-618F Rp.5399 618 Lt, Temperatur range: -25° to -32°C
SANSIO SAN-818F Rp.7273 818 Lt, Temperatur range: -25° to -32°C
SANSIO SAN-1288F Rp.- 1188 Lt, Temperatur range: -25° to -32°C
SANYO SF-C11KW Rp.1939 108 Lt, Key lock, Non CFC
SANYO SF-C15KW Rp.2039 150 Lt, Key lock, Non CFC
SANYO SF-C18KW Rp.2139 178 Lt, Key lock, Non CFC
SANYO SF-C21KW Rp.2439 208 Lt, Key lock, Non CFC
SANYO SF-C24KW Rp.2669 245 Lt, Key lock, Non CFC
SANYO SF-C30KW Rp.3249 298 Lt, Key lock, Non CFC

Back to top

= SLIDING GLASS FREEZER =

BRAND TYPE Rp (000) FEATURES

GEA SD-100 Rp.1871 Sliding flat glass,100 Lt, -18 to - 25°C
GEA SD-132P Rp.2191 Sliding flat glass,132 Lt, -18 to - 25°C
GEA SD-186 Rp.2371 Sliding flat glass,186 Lt, -18 to - 25°C
GEA SD-260BY Rp.3891 Sliding curve glass, 260 Lt, -15 to - 20°C
GEA SLD-200 Rp.3172 Sliding curve glass, 200 Lt, -18 to - 25°C
GEA SLD-258 Rp.- Sliding curve glass, 258 Lt, -18 to - 25°C
GEA SLD-308 Rp.4122 Sliding curve glass, 308 Lt, -18 to - 25°C
GEA SLD-388 Rp.4922 Sliding curve glass, 388 Lt, -18 to - 25°C
MODENA MC-23 Rp.4012 Sliding curve glass, 230 Lt freezer, - 25°C
MODENA MC-30 Rp.4627 Sliding curve glass, 300 Lt freezer, - 25°C
SANSIO SAN-268SF Rp.3683 Sliding curve glass, 268 Lt, -18° to -25°C
SANSIO SAN-308SF Rp.4383 Sliding curve glass, 308 Lt, -18° to -25°C
LG GN-V262RVC 260 lt, Vit + Ion, Multi Airflow Cooling System
LG GN-V282RLC 290 lt, , Multi Airflow, Moist Balance Crisper -
LG GN-V282RLCT 253 lt, Vitamin Plus, Moist Balance Crisper
LG GN-V282RVC 290 lt, Vit + Ion, Multi Airflow Cooling System -
LG GN-V282RNB 290 lt, Vit + Ion, Multi Airflow Cooling System -
LG GN-B352CLC 291lt Nett capacity, Vitamin Plus, Ion Carbon Deodoriser
LG GN-B352YVC 350 lt, Bio Shield, Green Ion Door Cooling, Vitamin Plus
LG GN-B392CLC 321lt Nett capacity, Vitamin Plus, Ion Carbon Deodoriser
LG GN-B392YLC 380 lt, Bio Shield, Vitamin Plus, Green Ion deodorizer
LG GN-B492CLC 393 lt Nett capacity, Vitamin Plus, Ion Carbon Deodoriser
LG GN-M352CLN 288 lt Nett capacity, Bio Shield, Vitamin Plus, LED display
LG GN-M352CPC 288 lt Nett capacity, Door Cooling, Vit Plus, Green Ion Deo, Flora finishing
LG GN-M352YPC 315 lt, Bio Shield, Vitamin Plus, Green Ion deodorizer -
LG GN-M392CPC 318 lt Nett capacity, Door Cooling, Vit Plus, Green Ion Deo, Flora

finishing

LG GN-M392YLQ 346 lt, Bio Shield, Vitamin Plus, Green Ion door cooling –

LG GN-M392YPC 346 lt, Bio Shield, Vitamin Plus, Green Ion deodorizer –

LG GN-M492CLN 388 lt Nett capacity, Bio Shield, Vitamin Plus, LED display

LG GN-M492CPC 388 lt Nett capacity, Door Cooling, Vit Plus, Green Ion Deo, Flora

finishing

LG GN-M492YPC 422 lt, Bio Shield, Vitamin Plus, Green Ion deodorizer –

LG GR-B352CLC 350 lt, Bio Shield, Vitamin Plus, Z-Deodoriser

LG GR-B392YLC 339 lt, Green Ion Door Cooling, Vitamin Plus, Deo –

LG GR-B492CLC 470 lt, Bio Shield, Vitamin Plus, Z-Deodoriser

LG GR-B492YLC 393 lt, Bio Shield, Vitamin Plus, Z-Deodorizer –

LG GR-B562YLC 428 lt, Bio Shield, Vitamin Plus, Carbon deodorizer

LG GR-B602YLC 660 lt, Bio Shield, Vitamin Plus, Carbon deodorizer

LG GR-M562YSQ 423 Lt netto, Wide LED Temperature Control, Vitamin Plus, Green ion Deodorizer

LG GR-M602YSQ 463 Lt netto, Wide LED Temperature Control, Vitamin Plus, Green ion Deodorizer

LG GR-M652YSQ 566 Lt, Wide LED Temperature Control, Vitamin Plus, Green ion Deodorizer

LG GR-M712YLA 710 Lt, Wide LED Temperature Control, Vitamin Plus, Green ion Deodorizer, Door Alarm –

LG GR-M712YSQ 640 Lt, Wide LED Temperature Control, Vitamin Plus, Green ion Deodorizer

PANASONIC NR-B21KX 200 lt, 99w, Organix Antibacteria Cassette,

PANASONIC NR-B23CF-S 195 lt, 99w, DEON (Honey Comb Deodorizer & Ion)

PANASONIC NR-B25BF-S 229 lt, 110w, DEON (Honey Comb Deodorizer & Ion)

PANASONIC NR-B25GF-S 229 lt, 110w, DEON (Honey Comb Deodorizer & Ion)

PANASONIC NR-B203G 204 lt, MagicTop, N- Bio Deodorizer

PANASONIC NR-B243G 234 lt, MagicTop, N-Bio Deodorizer

PANASONIC NR-B283G 279 lt, MagicTop, N-Bio Deodorizer

PANASONIC NR-B363M 355 lt, Multi Hygienic System , MagicTop

PANASONIC NR-B403V Import/Complete Built-up, 395lt, MagicTop, Inverter

PANASONIC NR-B591 Import/Complete Built-up, 506 lt, MagicTop –

PANASONIC NR-BW414VSWA 418 lt, Inverter – saving 40% energy, MagicTop

PANASONIC NR-BW464VSWA 463 lt, Inverter – saving 40% energy, MagicTop

PANASONIC NR-BY551XSWA 495 lt, Inverter – saving 40% energy, MagicTop

PANASONIC NR-BW601XSWA 546 lt, Inverter – saving 40% energy, MagicTop

SAMSUNG RT-2A SDIS 230 Lt, Cool Pack, Silver Nano deodorizer

SAMSUNG RT-2A SATS 230 Lt, Cool Pack, Silver plus deodorizer

SAMSUNG RT-2A SDSS 230 Lt, Cool Pack, Silver Nano deodorizer

SAMSUNG RT-2A SDTS 230 Lt, Cool Pack, Silver plus deodorizer

SAMSUNG RT-2B SATS 280 Lt, Cool Pack, Silver Plus deodorizer, Coolever zone

SAMSUNG RT-2B SDTS 280 Lt, Cool Pack, Silver Nano deodorizer, Coolever zone

SAMSUNG RT-30SCTS 300 Lt, Big Plus, Cool Pack, Silver Plus deodorizer

SAMSUNG RT-30SSIS 300 Lt, Evergreen Zone, Cool Pack, Silver Plus deodorizer

SAMSUNG RT-30SSPN 300 Lt, Evergreen Zone, UV Chilled Room, Silver Plus deo

SAMSUNG RT-37SCTS 370 Lt, Big Plus, Cool Pack, Silver Plus deodorizer

SAMSUNG RT-37SSPN 370 Lt, Evergreen Zone, UV Chilled Room, Silver Plus deo

SAMSUNG RT-41MAIS 410 Lt, i-Cool, Coolever Zone, Silver Nano deodorizer

SAMSUNG RT-45MAIS 450 Lt, i-Cool, Coolever Zone, Silver Nano deodorizer

SANYO SR-D225N 179 lt, Nano Ferrite Filter, Carbon deodorizer
SANYO SR-D245N 216 lt, Nano Ferrite Filter, Carbon deodorizer
SHARP SJ-F201S-RD SAMURAI series, 170 lt, Anti bacteria
SHARP SJ-F231S-RD SAMURAI series, 180 lt, Anti bacteria
SHARP SJ-F200G Fresh Lemon Series Refrigerator, Low Voltage –
SHARP SJ-F200M Fresh Lemon Series Refrigerator, Low Voltage –
SHARP SJ-F201G Fresh Lemon Series Refrigerator, Low Voltage –
SHARP SJ-F201M Fresh Lemon Series Refrigerator, Low Voltage –
SHARP SJ-F231G Fresh Lemon Series Refrigerator, Low Voltage –
SHARP SJ-F231M Fresh Lemon Series Refrigerator, Low Voltage –
SHARP SJ-D22LV-SL 195 lt, Lemon Series Refrigerator, Low Voltage
SHARP SJ-D27LV-SL 210 lt, Lemon Series Refrigerator, Low Voltage
SHARP SJ-D30LV-SL 235 lt, Lemon Series Refrigerator, Low Voltage
SHARP SJ-291NLV-SL 260 lt, Lemon Series Refrigerator, Low Voltage –
SHARP SJ-351NLV-SL 300 lt, Lemon Series Refrigerator, Low Voltage
SHARP SJ-431NLV-SL 320 lt, Lemon Series Refrigerator, Low Voltage
SHARP SJ-460NLV 367 lt, SALSA Series Refrigerator, Nano Deodorizer –
SHARP SJ-461NLV 367 lt, SALSA Series Refrigerator, Hybrid Cooling System
SHARP SJ-P450NLV 370 lt, Plasmacluster Ion System
SHARP SJ-P461NLV 443 lt, SALSA Series Refrigerator, Plasmacluster Ion System
SHARP SJ-560NLV 367 lt, SALSA Series Refrigerator, Nano Deodorizer –
SHARP SJ-561NLV 397 lt, SALSA Series Refrigerator, Hybrid Cooling System
SHARP SJ-P510NLV 409 lt, Plasmacluster Ion System
SHARP SJ-P561NLV 478 lt, SALSA Series Refrigerator, Plasmacluster Ion System
SHARP SJ-580NLV 437 lt, SALSA Series Refrigerator, Hybrid Cooling System –
SHARP SJ-P580NLV 375 lt, Lemon Series no frost with plasma cluster
SHARP SJ-P581NLV 437 lt, SALSA Series Refrigerator, Hybrid Cooling System,
Plasmacluster, Advance LEC Control, Nano Deodorizer
SHARP SJ-650NLV 473 lt, SALSA Series Refrigerator, Hybrid Cooling System –
SHARP SJ-P651NLV 473 lt, SALSA Series Refrigerator, Hybrid Cooling System,
Plasmacluster, Advance LEC Control, Nano Deodorizer
SHARP SJ-750NLV 514 lt, SALSA Series Refrigerator, Hybrid Cooling System –
SHARP SJ-P750NLV 514 lt, SALSA Series Plasmacluster Refrigerator –
SHARP SJ-P751NLV 514 lt, SALSA Series Refrigerator, Hybrid Cooling System,
Plasmacluster, Advance LEC Control, Nano Deodorizer
SHARP SJ-P812NLV 524 lt, Plasmacluster Ion System –
SHARP SJ-850NLV 555 lt, SALSA Series Refrigerator, Hybrid Cooling System –
SHARP SJ-P851NLV 555 lt, SALSA Series Refrigerator, Hybrid Cooling System,
Plasmacluster, Advance LEC Control, Nano Deodorizer
TOSHIBA GR-K242 180 lt, 75W
TOSHIBA GR-K242PD 180 lt, 75W, Platinum Deodorizer
TOSHIBA GR-K262 216 lt, 90W
TOSHIBA GR-K262PD 216 lt, 90W, Platinum Deodorizer
TOSHIBA GR-M245E 180 lt, No Frost
TOSHIBA GR-M245D 180 lt, No Frost, Deodorizer
TOSHIBA GR-M265D 216 lt, No Frost, Deodorizer
TOSHIBA GR-R21ET Import, 180 lt, Health series, Platinum Deodorizer
TOSHIBA GR-R25ET Import, 228 lt, Health series, Platinum Deodorizer
TOSHIBA GR-R34ED Import/Complete Built-up, 280 lt, Hybrid Plasma Deo
TOSHIBA GR-R39ED Import/Complete Built-up, 320 lt, Hybrid Plasma Deo

TOSHIBA GR-RG43ED Import, 355 lt, Hybrid Plasma Deo, Glass door
TOSHIBA GR-R48ED Import, 401 lt, Hybrid Plasma Deo
TOSHIBA GR-RG48ED Import, 410 lt, Hybrid Plasma Deo, Glass door
TOSHIBA GR-R58ED Import/Complete Built-up, 500 lt, Hybrid Plasma Deo
TOSHIBA GR-R66ED Import/Complete Built-up, 590 lt, Hybrid Plasma Deo
TOSHIBA GR-RG58ED Import, 500 lt, Hybrid Plasma Deo, Glass door
TOSHIBA GR-RG66ED Import, 590 lt, Hybrid Plasma Deo, Glass door
KULKAS 3 PINTU / 3 DOORS REFRIGERATOR
ELECTROLUX ETB-2603PC Deo Fresh Active, Multi Airflow System
TOSHIBA GR-R47EDV Import/Complete Built-up, 3 doors, 470 lt
SIDE-BY-SIDE REFRIGERATOR
ELECTROLUX ERE-6100SX 580 lt, Fully Electronic Control with LCD Display, Wine
rack
LG GR-A207WPJ 581 lt, Green LED, In-Door Ice Maker
LG GR-B207FLC 581 lt, Bio Shield, Moist Balance™ Crisper
LG GR-B207WLQ 581 lt, LED Temperature Control, Bio Shield
LG GR-B217LGJ 581 lt, LED Temperature Control, Bio Shield Flower Pattern
LG GR-L207WLK 567 lt, Tall Ice & Water Dispenser
LG GR-R207WTC 584 lt, Electric Control with 6 Sensor



Private Picture Copyright : WWW.MBSM.PRO

Mbsm_dot_pro_private_PDF_lg-gr-b562ylc-owner-s-manualTélécharger



REFRIGERATOR-FREEZER
MODEL No.: GR-B562YLC

CLIMATE CLASS	T
RATING	
RATED CURRENT	220V ~ 50/60Hz
DEFROSTING INPUT	0.6A
RATED INPUT OF HEATER CORD	230W
RATED INPUT MAXIMUM OF LAMP	165W
FREEZER COMPARTMENT	
FRESH FOOD COMPARTMENT	20W
INSULATION BLOWING AGENT	30W
NET WEIGHT	Cyclopentane
REFRIGERANT	85kg
DIMENSIONS	R134a 135g
SERIAL No.:	755(W)x707(D)x1777(H)mm

MADE IN INDONESIA

Refer to bar code label.

Cyclopentane
R134a

MEZ40001987

Private Picture Copyright : WWW.MBSM.PRO

Application Deep Freezer	MA88LAEP
Fridge Compressor – Capacity	410 – 450 liters
Displacement	8.8
Cooling Capacity	235 (kcal/h), 273W, 933 (Btu/h), 0.367HP
Input Power	227W
COP W/W	1.2
EER Btu/Wh	4.11
Motor type	CSIR-Relay
Starting Device (PTC)	QL2-5-55
Motor Protector (OLP)	4TM314TFB
(Capacitor) Starting/Surge Voltage	50 / 275
(OIL) Viscosity cst/ Qty(cc)	22/220
Cooling type	FC
Compressor Height	177mm

Net Weight

9.3 kg.

Best quality Chinese Brand, 3/8HP, R134A compressor, refrigerator, QD128H, 260W, RSIR, copper wire compressor, LBP, 220-240V/50Hz, 325W cooling capacity

Category: compressor

written by www.mbsm.pro | 12 December 2021



Private Picture Copyright: WWW.MBSM.PRO

Best quality Chinese Brand, 3/8HP, R134A compressor, refrigerator, QD128H, 260W, RSIR, copper wire compressor, LBP, 220-240V/50Hz, 325W cooling capacity

MBSM.PRO, All Compressor in One File

, Pdf and Print

Category: compressor

written by www.mbsm.pro | 12 December 2021



Private Picture Copyright : WWW.MBSM.PRO

MBSM.PRO, All Compressor in One File , Pdf and Print

Danfoss, Reciprocating, compressors, MT / MTZ / NTZ, MT64HM4DVE, R22, 5HP / hp, 3,9KW, 15A

Category: compressor

written by www.mbsm.pro | 12 December 2021

MT64HM4DVE Compresseur Danfoss Meyo Paramètres détaillés:

Nombre nominal de chevaux: 5HP / hp

Puissance nominale: 3,9KW

Courant de démarrage à rotor bloqué: 67A

Courant de travail: 15A

Cylindrée: 107,71 cm³ / tr

interface fileté d'aspiration: 1 "3/4

rangée Interface de filetage d'air: 1 "3/4

taille du tuyau d'aspiration: 7/8"

taille du tuyau d'échappement: 3/4 "

vitesse: 2900 tr / min

Poids net: 37 kg

Detailed Product Description

MT Series		Type:	Hermetic
Refrigerant:	R22		Reciprocating
			Compressor
Phase:	1PH,3PH	Application	Middle High
		Temp::	Temperature
Horse Power:	1.5HP To 13.3HP	Frenquency:	50HZ 60HZ
Voltage:	380-400 -460V	Colour:	Blue
	For Commercial		
Usage:	Refrigeration And Air		
	Conditioning		

R22 Danfoss Maneurop Hermetic compressor MT64HM3DVE France Maneurop Piston Reciprocating compressor

Danfoss Maneurop NTZ series compressors are hermetic reciprocating type and designed for low evaporating temperature applications.Refrigerant:R404A/R507A Model:NTZ048/NTZ068/NTZ096/NTZ108/NTZ136/NTZ215/NTZ...

Danfoss Maneurop MT/MTZ series compressors are hermetic reciprocating type and designed for Medium and High evaporating temperature applications.

Refrigerant R22, R407C, R134A, R404A

380-400V/3~/50Hz and 460V/3~/60Hz

Models:MT/MTZ018 MT/MTZ022 MT/MTZ028...MT/MTZ320

Danfoss Maneurop MPZ series compressors are hermetic reciprocating type and designed for Medium and High evaporating temperature applications.

Refrigerant:R404A/R507A

Models:MPZ2038/MPZ2048/MPZ2054/MPZ2061/MPZ2068

Danfoss Maneurop Commercial Hermetic Scroll Compressor MT64HM4DVE

Specification:

Maneurop MT/MTZ series compressors are of the hermetic reciprocating type and are designed for Medium and high evaporating temperature applications.

There are 26 different models with displacement ranging from 30-543cm³/rev.

Our Maneurop compressors are for 50Hz, motor code is 4, can be used for R22/R407C/R134a/R404A/R507

1. Piston /reciprocating type compressors.
 2. Voltage is 50Hz
 3. The refrigerant are R22/R407C/R134a/R404A/R507
 4. There are MT/MTZ series
 5. Original from France.
 - 6.Capacity: 1.5HP~13HP, High efficiency, Low noise
- 1.MT series for R134a
 2. MTZ series for R407c/134a
- 1.50 Hz

2. Imported form France.

3.R22 Rated condition:50Hz/400V

superheat:11.1K

subcooling 8.3K condensing temp:54.4°C

4.R407C Rated condition :50Hz 400V

superheat:11.1K

subcooling 8.3K condensing temp:54.4°C

evaporating temp.7.2°C

refrigeration and power input±5%

We can supply more Danfoss compressor models as below:

MODEL (R22)	MODEL (R404A)	NTZ series
MT18-4VM	MTZ18-4VM	NTZ048A4LR1A
MT22-4VM	MTZ22-4VM	NTZ068A4LR1A
MT28-4VM	MTZ28-4VM	NTZ096A4LR1A
MT32-4VM	MTZ32-4VM	NTZ108A4LR1A
MT36-4VM	MTZ36-4VM	NTZ136A4LR1A
MT40-4VM	MTZ40-4VM	NTZ215A4LR1A
MT44-4VM	MTZ44-4VM	NTZ271A4LR1A
MT50-4VM	MTZ50-4VM	□
MT56-4VM	MTZ56-4VM	□
MT64-4VM	MTZ64-4VM	□
MT72-4VM	MTZ72-4VM	□
MT80-4VM	MTZ80-4VM	□
MT100-4VM	MTZ100-4VM	□
MT125-4VM	MTZ125-4VM	□
MT144-4VM	MTZ144-4VM	□
MT160-4VM	MTZ160-4VM	

Model NO.	Nom HP	Displ. Cc/rev	Capacity R404a(w)	
			-10	-5
MTZ18-4VI	1.5	30.2	1580	2110
MTZ18-5VI	1.5	30.2	1580	2110
MTZ22-4VI	1.8	38.12	2270	2920
MTZ22-5VI	1.8	38.12	2270	2920
MTZ28-4VI	2.3	48.06	2880	3720
MTZ28-5VI	2.3	48.06	2880	3720
MTZ32-4VI	2.7	53.86	3230	4220
MTZ32-5VI	2.7	53.86	3230	4220
MTZ36-4VI	3	60.47	3800	4870
MTZ36-5VI	3	60.47	3800	4870
MTZ40-4VI	3.3	67.89	4280	5490
MTZ45-4VI	3.8	76.22	4420	5840
MTZ51-4VI	4.2	85.64	5290	6920
MTZ57-4VI	4.8	96.13	6060	7880
MTZ65-4VI	5.4	107.71	7080	9130
MTZ73-4VI	6.1	120.94	7960	10230
MTZ81-4VI	6.8	135.78	9160	11720
MTZ100-4VI	8.3	171.26	10390	13500
MTZ125-4VI	10.4	215.44	13650	17500
MTZ144-4VI	12	241.87	15740	20120
MTZ160-4VI	13.3	271.55	17690	22520

Compresseur à piston Danfoss Maneurop MT22JC5PVE (2.0HP / 1PH) Compresseur à piston Danfoss Maneurop MT22JC4AVE (2.0HP / 3PH) Compresseur à piston Danfoss Maneurop MT28JC5PVE (2.3HP / 1PH) Compresseur à piston Danfoss Maneurop MT22JC4AVE (2.0HP / 3PH) Compresseur à piston Danfoss Maneurop MT28JC5PVE (2.3HP / 1PH) Compresseur à piston Danfoss Maneurop 3PH (2.3HP / 1PH) 2.6HP / 1PH) Compresseur à piston Danfoss Maneurop MT32JF4DVE (2.6HP / 3PH); Compresseur à piston Danfoss Maneurop MT36JG5CVE (3.0HP / 1PH) Compresseur à piston Danfoss Maneurop MT36JG4FVE (3.0HP / 3PH) Compresseur à piston Danfoss Maneurop MT40JH4EVE (3.3HP / 3PH) Danfoss Maneurop Compresseur à piston MT36JG4FVE (3.0HP / 3PH) Compresseur à piston Danfoss Maneurop MT40JH4EVE (3.3HP / 3PH) Danfoss Maneurop Compresseur à piston MT36JG4FVE (3.0HP / 3PH) Compresseur à piston Danfoss Maneurop MT40JH4EVE (3.3HP / 3PH) Compresseur à piston Danfoss Maneurop 3KFHB4 (3.6HP / 4.0HP / 3PH) Compresseur à piston Danfoss Maneurop MT56HL4BVE (4.6HP / 3PH) Compresseur à piston Danfoss Maneurop MT64HM4DVE (5.3HP / 3PH) Compresseur à piston Danfoss Maneurop MT72HN4AVE (6.0HP / 3PH) Compresseur à piston Danfoss Maneurop MT80HP4AVE (6.6HP / 3PH) Compresseur à piston Danfoss Maneurop MT72HN4AVE (6.0HP / 3PH) Compresseur à piston Danfoss Maneurop MT80HP4AVE (6.6HP / 3PH) Compresseur à piston Danfoss Maneurop 4.0 Compresseur à piston MT144HV4AVE (12,0HP / 3PH) Compresseur à piston Danfoss Maneurop MT160HW4EVE (13.3HP / 3PH) Compresseur à piston Danfoss Maneurop MTZ22JC5VE (2.0HP / 1PH); [R134A, R404] Compresseur à piston Danfoss Maneurop MTZ22JC4AVE (2.0HP / 3PH); [R134A, R404] Compresseur à piston Danfoss Maneurop MTZ28JE5AVE (2,3 HP / 1PH); [R134A, R404] Compresseur à piston Danfoss Maneurop MTZ28JE4AVE (2,3 HP / 3PH); [R134A, R404] Compresseur à piston Danfoss Maneurop MTZ32JF5AVE (2,6 CV / 1PH); [R134A, R404] Compresseur à piston Danfoss Maneurop MTZ32JF4BVE (2.6HP / 3PH); [R134A, R404] Compresseur à piston Danfoss Maneurop MTZ36JG5AVE (3.0HP / 1PH); [R134A, R404] Compresseur à piston Danfoss Maneurop MTZ36JG4BVE (3.0HP / 3PH); [R134A, R404] Compresseur à piston Danfoss Maneurop MTZ40JH4AVE (3,3 CV / 3PH); [R134A, R404] Compresseur à piston Danfoss Maneurop MTZ50HK4CVE (4,0 CV / 3PH); [R134A, R404] Compresseur à piston Danfoss Maneurop MTZ56HL4BVE (4,6 CV / 3PH); [R134A, R404] Compresseur à piston Danfoss Maneurop MTZ64HM4CVE (5,3 HP / 3PH); [R134A, R404] Compresseur à piston Danfoss Maneurop MTZ72HN4AVE (6,0 CV / 3PH); [R134A, R404] Compresseur à piston Danfoss Maneurop MTZ80HP4AVE (6,6 CV / 3PH); [R134A, R404] Compresseur à piston Danfoss Maneurop MTZ100HS4VE (8,3 CV / 3 PH); [R134A, R404] Compresseur à piston Danfoss Maneurop MTZ125HU4VE (10.0HP / 3PH); [R134A, R404] Compresseur à piston Danfoss Maneurop MTZ144HV4AVE (12,0 HP / 3PH); [R134A, R404] Compresseur à piston Danfoss Maneurop MTZ160HE4AVE (13,3 HP / 3PH); [R134A, R404] Compresseur à piston Danfoss Maneurop NTZ048A4LR1A (2.0HP / 3PH); [R134A, R404, R507] Compresseur à piston Danfoss Maneurop NTZ068A4LR1A (3,5 CV / 3PH); [R134A, R404, R507] Compresseur à piston Danfoss Maneurop NTZ096A4LR1A (4,5 CV / 3PH); [R134A, R404, R507] Compresseur à piston Danfoss Maneurop NTZ108A4LR1A (5,0 CV / 3PH); [R134A, R404, R507] Compresseur à piston Danfoss Maneurop NTZ136A4LR1A (6,5 CV / 3PH); [R134A, R404, R507] Compresseur à piston Danfoss Maneurop NTZ215A4LR1A (10,0 HP / 3PH); [R134A, R404, R507] Compresseur à piston Danfoss Maneurop NTZ271A4LR1A (13.0HP / 3PH); [R134A, R404, R507] COMPRESSEUR MANEUROP 2.0HP MT22 MANEUROPE 2.0HP MT22 COMPRESSEUR MANEUROP COMPRESSEUR MTZ-22JE-4VE R404A MANEUROPE 2.30HP MT28JE-5PVE MT28-5VI / MT28-5VM COMPRESSEUR MANEUROP 2.30HP MT28JE-5PVE MT28-5VI / MT28-5VM COMPRESSEUR MANEUROPEUR 2.30H5 / R404A) COMPRESSEUR MANEUROP 2.8HP

MTZ32-5VM (R134a / R404A / R507) COMPRESSEUR MANEUROP MT32JF5MVE 2-3 / 4HP ((R22) COMPRESSEUR MANEUROP 3.0HP MT36JG4FVE (MT36-4VI / MT36-4VM) (R22) COMPRESSEUR 3.0HP COMPRESSEUR MT36 MANEUROP 3.3HP MT40JH4EVE COMPRESSEUR MANEUROP 3.3HP MTZ40-JH4AVE COMPRESSEUR (R407A / C / F / R134A / R404A / R507) Compresseur MANEUROP MTZ-36-JG4AVE (R407C / R134a / R404A-R407C / R134a / R404A) -Compresseur JH4AVE (R134a / R404A) – Compresseur 3.3HP 3PH MANEUROP MTZ-44-HJ4AVE (R134a / R404A) – 3. 5HP 3PH MANEUROP 4HP MTZ-50HK-4CVE (MTZ50-4VI / MTZ50-4VM) COMPRESSEUR (R134A / R404A) MANEUROP MTZ56HL3BVE R407c, R134a, R507a, R404a compresseur MANEUROP MT-64-4VM COMPRESSEUR MANEUR 64-4VM COMPRESSEUR MANEUR COMPRESSEUR MT72-4VM COMPRESSEUR MANEUROP MT-80-4VM (6.5HP) Compresseur MANEUROP 6.6HP MT81HP4AVE COMPRESSEUR MANEUROP MTZ80HM4DVE COMPRESSEUR MANEUROP 8.5HP MT100-4VM COMPRESSEUR MANEUROPE 10HP MT100-4VM (MT100HS4DVE) COMPRESSEUR 10HP MT100-4VM (MT100HS4DVE) COMPRESSEUR MT12M10 MANHOP 4-COMPRESSEUR 10HP R22) COMPRESSEUR MANEUROP 10HP MTZ125HW4AVE (R404A / R134A / R507 / R407C) COMPRESSEUR MANEUROPE 12HP MT144-4VM COMPRESSEUR MANEUROPE 13.3HP MT160-4VM (MT160HW4DVE) COMPRESSEUR MANZVMER 10 COMPRESSEUR MANZVM4 (MT160HW4DVE) / 2 ‘) SER. KIT POUR MT-28 MANEUROP 7703009 (1-1 / 8 ‘& 3/4’) SER.

Product details

Gross weight 41.5 kg

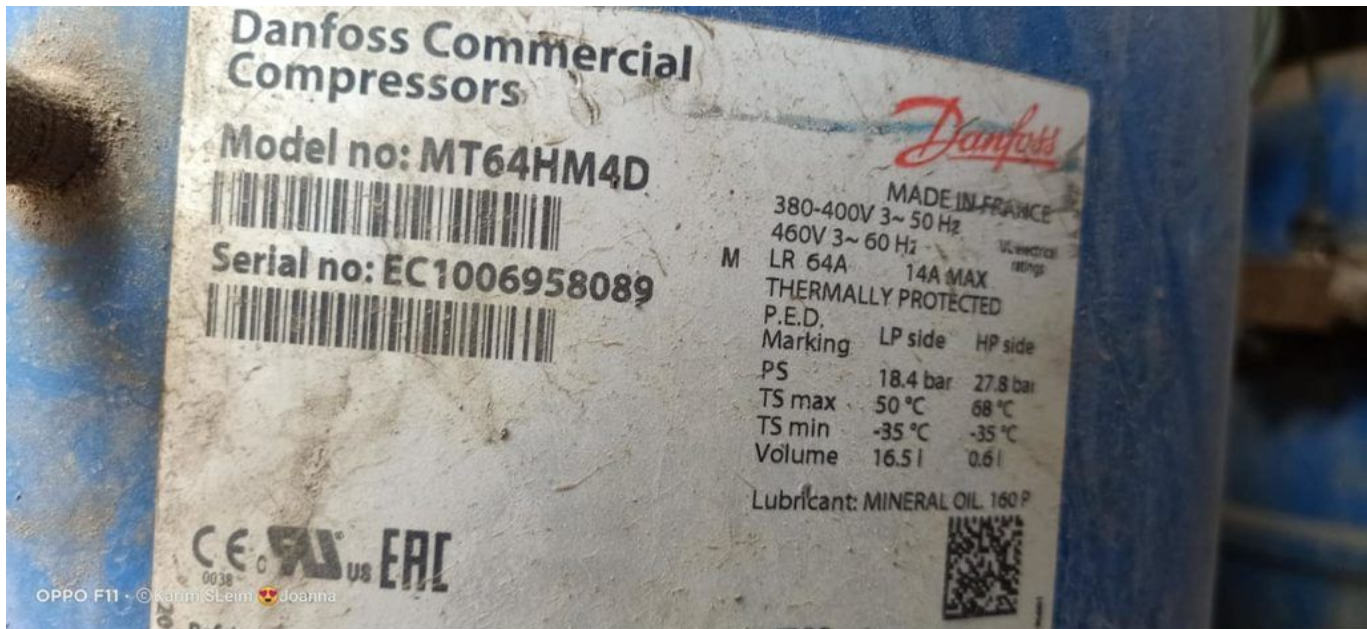
Net weight 39 kg

EAN 5702428661973

Approval standard	CCC CE UL
Brand technique	Reciprocating compressor
Capacity control	Fixed speed
Colour	Blue
Compressor power supply [V/Ph/Hz]	400/3/50 460/3/60
Configuration code	Single
Connection type	Rotolock
Cylinder	2
Description	MT064-4
Diameter [mm]	288 mm
Discharge connection height [mm]	74 mm
Discharge connection mounting torque [Nm]	90 Nm
Discharge connection pipe size [in]	3/4 in
Discharge connection rotolock size [in]	1 1/4 in
Discharge connection size [in]	1 1/4 in
Discharge connection sleeve pipe size [in]	3/4 in
Drawing number	8502012g

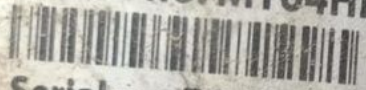
Economizer	No
Factory HP [bar]	25 bar
Factory LP [bar]	25 bar
Fitting remark	(shipped with rotolock version only)
Fitting sleeve	ODF
Fitting standard	Rotolock
Frequency [Hz]	50/60
Gauge port HP	None
Gauge port LP	Schrader
Generation code	E
Glass mounting	Threaded
Glass torque [Nm]	50 Nm
GP LP torque [Nm]	15 Nm
High side max pressure (Ps)	27.8 bar
High Side TS Max	150 °C
High Side TS Min	-35 °C
High Side Volume	0.6 L
High value of nominal voltage at 50Hz [V]	400 V
High value of nominal voltage at 60Hz [V]	460 V
High value of voltage range at 50Hz [V]	460 V
High value of voltage range at 60Hz [V]	506 V
IP protection class	IP55 (with cable gland)
Low side max pressure (Ps)	18.4 bar
Low Side TS Max	50 °C
Low Side TS Min	-35 °C
Low Side Volume	16.5 L
Low value of nominal voltage at 50Hz [V]	380 V
Low value of nominal voltage at 60Hz [V]	460 V
Low value of voltage range at 50Hz [V]	340 V
Low value of voltage range at 60Hz [V]	414 V
LRA	64 A
MCC	14 A
Model number	MT64HM4DVE
Motor protection	Internal overload protector
Mounting torque [Nm]	15 Nm
Nominal cooling capacity 60 kBTU/h	64.51 kBtu/h
Nominal cooling capacity at 50Hz	14.4 kW
Nominal cooling capacity at 60Hz	18.9 kW
Number of starts per hour [Max]	12
Oil charge [L]	1.8 L
Oil equalization	3/8" flare SAE
Oil equalization torque [Nm]	30 Nm
Oil reference	160P
Packaging height [mm]	550 mm
Packaging length [mm]	1150 mm
Packaging weight [Kg]	254 kg

Packaging width [mm]	800 mm
Packing format	Industrial pack
Packing quantity	6
Phase	3
Power connections	Spade
Refrigerant	R22
Refrigerant charge [kg] [Max]	5 kg
Relief valve	30 bar/8 bar
Rotational speed at 50Hz [rpm]	2900 rpm
Rotational speed at 60Hz [rpm]	3500 rpm
Segment usage	Air conditioning Refrigeration MT
Shipped fittings	Suction and discharge solder sleeves, rotolock nuts and gaskets
Shipped instructions	Installation instructions
Shipped mounting	Mounting kit with grommets, bolts, nuts, sleeves and washers
Shipped oil	Initial oil charge
Suction connection height [mm]	265 mm
Suction connection mounting torque [Nm]	110 Nm
Suction connection pipe size [in]	7/8 in
Suction connection rotolock size [in]	1 3/4 in
Suction connection size [in]	1 3/4 in
Suction connection sleeve pipe size [in]	7/8 in
Swept volume [cm³]	107.71 cm ³
Technology	Reciprocating
Test dif [bar] [Max]	30 bar
Test HP [bar] [Max]	30 bar
Test LP [bar] [Max]	25 bar
Torque earth [Nm]	3 Nm
Torque power [Nm]	3 Nm
Total height [mm]	413 mm
Type	MT
Type designation	Compressor
Viscosity [cP]	32 cP
Winding resistance for three-phase compressors with identical windings [Ohm]	2.44 Ohm



Danfoss Commercial Compressors

Model no: MT64HM4D



Serial no: EC1006958089



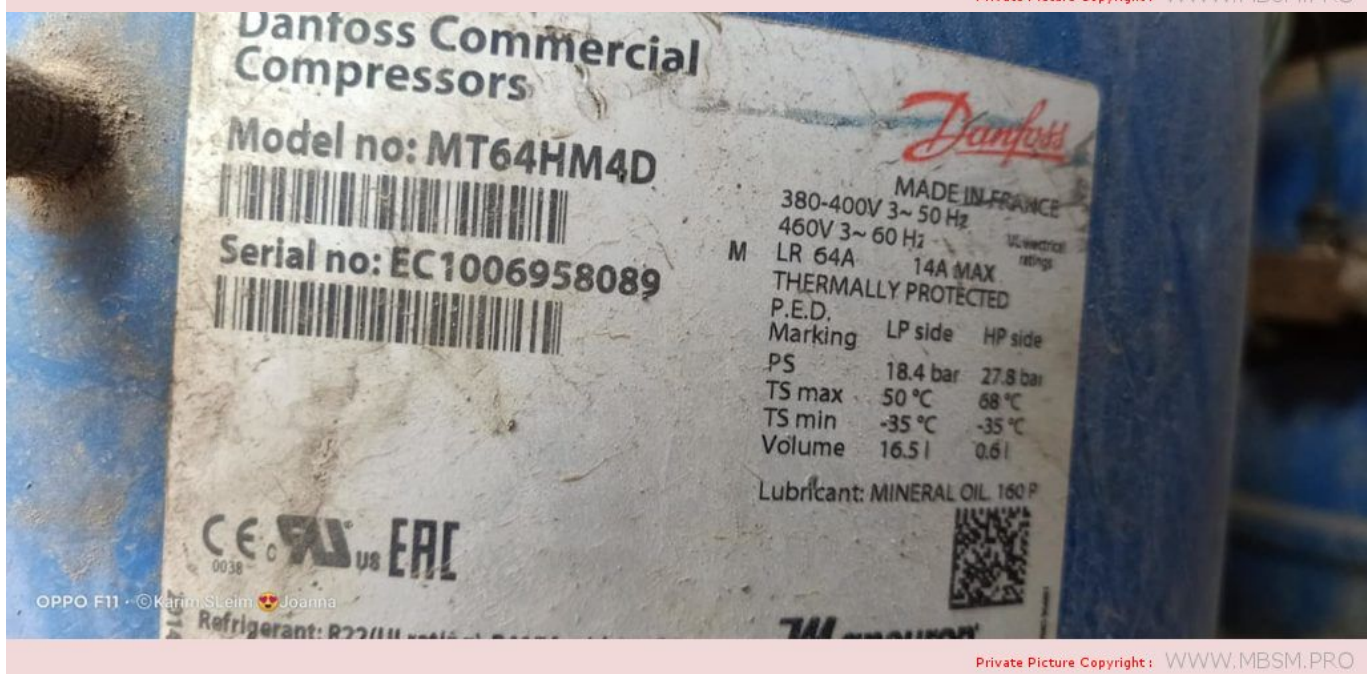
MADE IN FRANCE
380-400V 3~ 50 Hz
460V 3~ 60 Hz UL electrical ratings
M LR 64A 14A MAX
THERMALLY PROTECTED
P.E.D.
Marking LP side HP side
PS 18.4 bar 27.8 bar
TS max 50 °C 68 °C
TS min -35 °C -35 °C
Volume 16.5 l 0.6 l

Lubricant: MINERAL OIL 160 P



OPPO F11 · © Karim Sleim · Joanna

Private Picture Copyright: WWW.MBSM.PRO



Danfoss Commercial Compressors

Model no: MT64HM4D



Serial no: EC1006958089



MADE IN FRANCE
380-400V 3~ 50 Hz
460V 3~ 60 Hz UL electrical ratings
M LR 64A 14A MAX
THERMALLY PROTECTED
P.E.D.
Marking LP side HP side
PS 18.4 bar 27.8 bar
TS max 50 °C 68 °C
TS min -35 °C -35 °C
Volume 16.5 l 0.6 l

Lubricant: MINERAL OIL 160 P



OPPO F11 · © Karim Sleim · Joanna

Refrigerant: R22/41

Private Picture Copyright: WWW.MBSM.PRO

Product : Compressor
 产地: 法国制造
 Plant : Made in France
 客户: 丹佛斯自动控制管理(上海)有限公司
 Customer service: Danfoss Automatic Controls Management (Shanghai) Co.Ltd
 地址电话: 上海市宜山路900号科技大楼C楼20层200233 / (021)61513000
 Address/Tel: 20th Floor Block C, Hi-Tech Building
 900 Yi Shan Road Shanghai 200233 / (021)61513000
 警告: 只有具备一定经验和安全程序
 培训的授权人员才可以进行安装和维修。
 Warning: The installation and maintenance
 should be performed by the authorized
 person only



Danfoss Commercial Compressors



型号: MT64HM4DVE

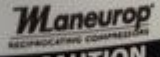
 序列号: EC1006983516


产地法国
 380-400V 3~ 50 Hz
 460V 3~ 60 Hz
 额定电流: 6A 最大工作电流: 14A
 过热保护
 低压倒
 最高额定压力 18.4 bar
 最高额定温度 50 °C
 最低额定温度 -35 °C

润滑油: MINERAL OIL 160 P



R134a 制冷剂: R22 或 R417A 仅和 160PZ



WARNING

Installation and servicing shall be performed by trained personnel only. Failure to observe these safety warnings could result in personal injury or death.
 1. Before working on the compressor, turn off power before removing the charge of capacitors.
 2. Never remove cover in place and securely fastened whenever power is applied to the compressor. Use this equipment on a grounded system only.
 3. Never touch the system contains refrigerant and oil under pressure. Remove pressure from both the high and low side before servicing under safety conditions.
 4. Do not touch the hot surface of the compressor.



CAUTION

Use only manufacturer's approved refrigerants, lubricants, and electrical components. Unauthorized refrigerants / lubricant / electrical component could cause fire, explosion, electrical shorting.
 For details refer to multi language instruction and technical documents available on Danfoss website at www.danfoss.com



Private Picture Copyright : WWW.MBSM.PRO

0937 217 184

MT64-4VM
KE1008211296
MT64HM4DVE

产品名称: 制冷压缩机
Product: Compressor
产地: 法国制造
Plant: Made in France
代理商: 丹佛斯自动控制管理(上海)有限公司
Customer service: Danfoss Automatic Control Management (Shanghai) Co.Ltd
地址电话: 上海市宝山顾900号科技大楼3楼30233 / (021) 61512000
Address/te: 900 Yi Shan Road Shanghai 200233 (021) 61512000
警告: 只有具备一定技能和安全教育于
熟练的维修人员才可以进行安装和维修。
Warning: The installation and maintenance
should be performed by the authorized
person only.

Compressor

Model no: MT64HM4DVE
Serial no: KE1008211296

MADE IN FRANCE

M	380-400V 3-30Hz	143 MAX
	480V 3-60Hz	143 MAX
	1.8 kW	
	Thermally protected	
P.E.D.	LP Side	HP Side
Marking	18.40 bar	27.20 bar
TS Max	39.5 °C	102.0 °C
TS Min	-23.5 °C	55.0 °C
Volume	16.1 l	64.1 l
Lubricant	Mineoil HP 180P	

CE, ENEC, ERE, C2000

Refrigerant: R22/R410A / R417A with 180P

WARNING CAUTION



Private Picture Copyright : WWW.MBSM.PRO

[Mbsm_dot_pro_private_PDF_MT64HM4DVE](#)Télécharger
[Mbsm_dot_pro_private_PDF_MT64HM4DVE-5](#)Télécharger

Compresseur R134a / R600a Série AT / ET (170w-260w) Fiche technique

Category: compressor
written by www.mbsm.pro | 12 December 2021

compresseur eta110

PERPLEXITÉ

Voir en détail

Le compresseur ETA110 est un type de compresseur de liquide de refroidissement HuaGuang qui utilise le réfrigérant R600a. Il s'agit d'un compresseur RSIR 1/4HP qui fonctionne à 220-240V et 50Hz avec une faible contre-pression (LBP) de 8kg. Il est couramment utilisé dans les systèmes de réfrigération pour les applications commerciales et industrielles.



5 SOURCES

Afficher la liste

- 1 gastroparts
- 2 gev-en ligne
- 3 nibets
- 4 réfrigérateur-polaire
- 5 okmarts

RAPPORT

quel est le prix du compresseur ETA110

où puis-je acheter le compresseur ETA110

Demander un suivi

Private Picture Copyright : WWW.MBSM.PRO

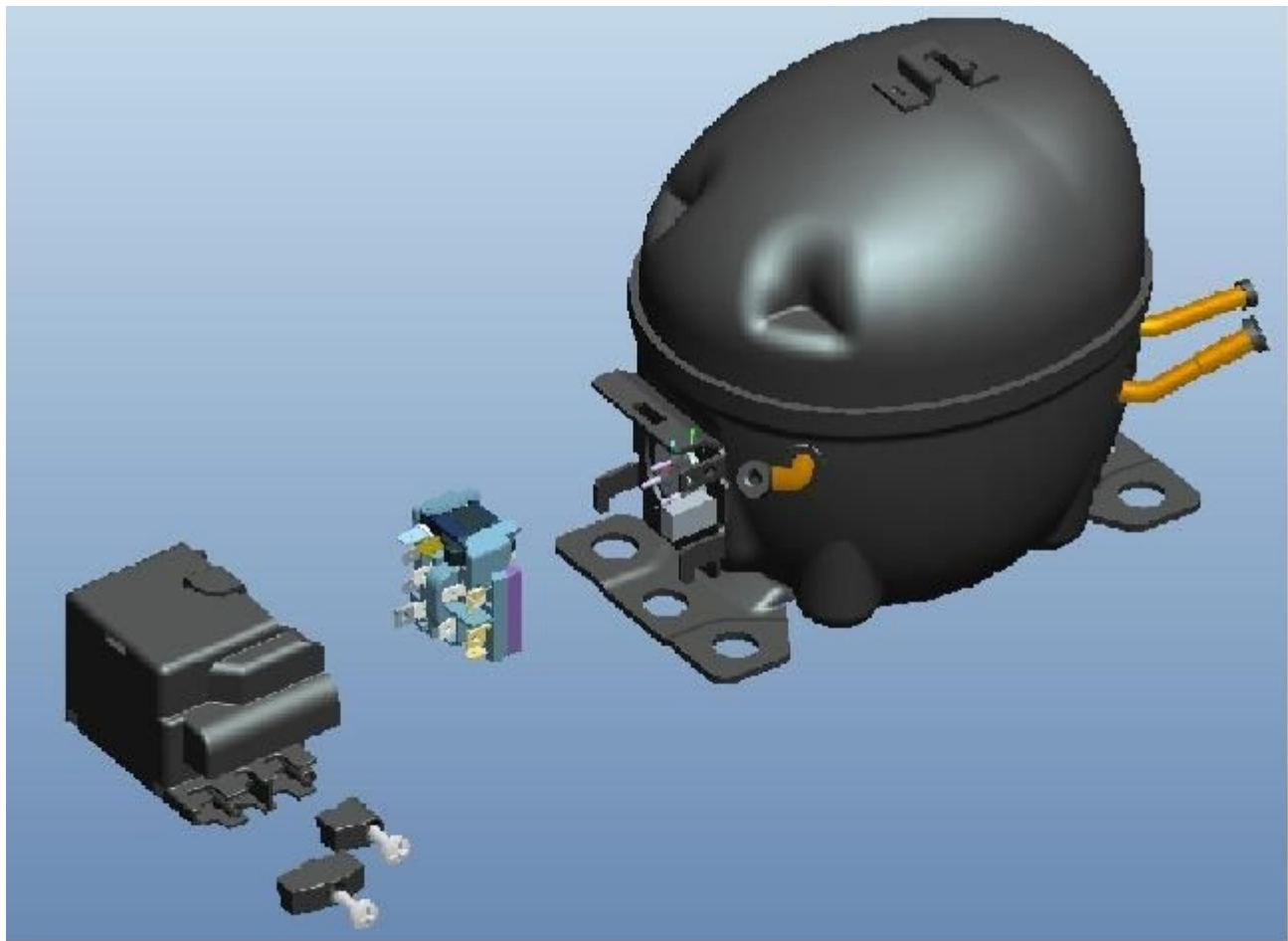
Fiche technique Dimensions Schéma de câblage

Compresseur R134a / R600a Série AT / ET (170w-260w)

Compresseur à piston à piston hermétique de type alternatif entraîné par un moteur électrique interne. Eco-friendly conçu sans chlore pour protéger l'ozone. Haute efficacité et économie d'énergie. Démarrage facile Haute fiabilité Faible son et longévité. Avec relais PTC

The screenshot shows the same product page as above, but with a large red watermark 'WWW.MBSM.PRO' overlaid diagonally across the center. The content is identical to the previous block, including the title, description, sources list, and report section.

Private Picture Copyright : WWW.MBSM.PRO

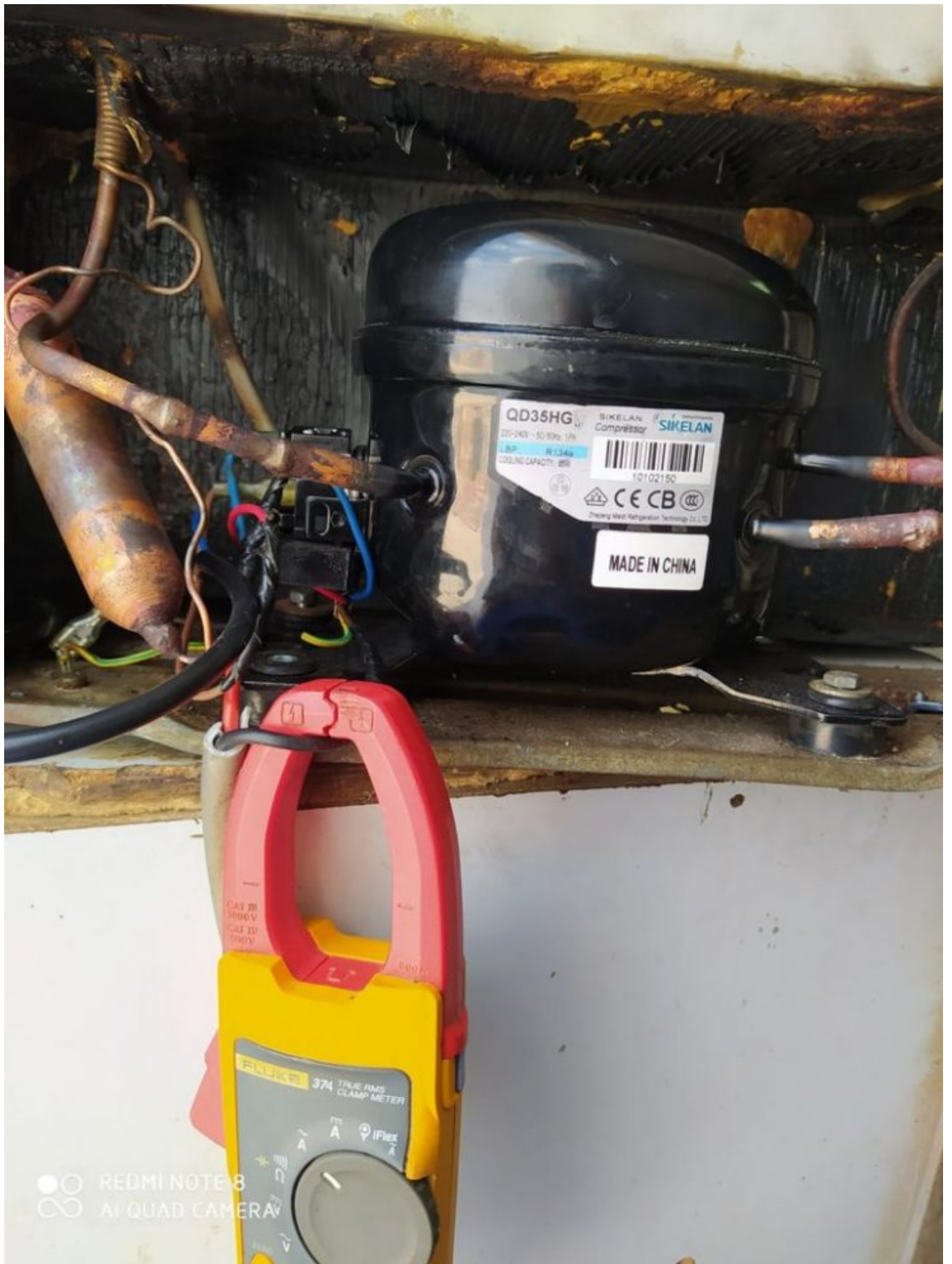


Private Picture Copyright : WWW.MBSM.PRO

QD35HG, 1/11 HP, 220V, SIKELAN,
R134a, mini congélateur, petit bar
réfrigérateur, réfrigérateur
distributeur, refroidisseur d'eau,
série L, RSIR, 75 w

Category: compressor

written by www.mbsm.pro | 12 December 2021



Private Picture Copyright: WWW.MBSM.PRO

1. Product Performance

- 1) QD35HG, série L , utilisez le réfrigérant R134A;

- 2) Application de tension 220V à 240V;
- 3) Fréquence pour 50 / 60HZ;
- 4) Type de moteur: RSIR;
- 5) Type de refroidissement: ST;
- 6) Le dispositif de démarrage est le relais PTC;
- 7) Application: basse contre-pression;
- 8) La puissance nominale est de 1 / 11HP;
- 9) Le COP est de 1,05 avec une capacité de refroidissement de 75 W.

Selon les conditions de test (ASHRAE)

Température d'évaporation: -23,3 degrés

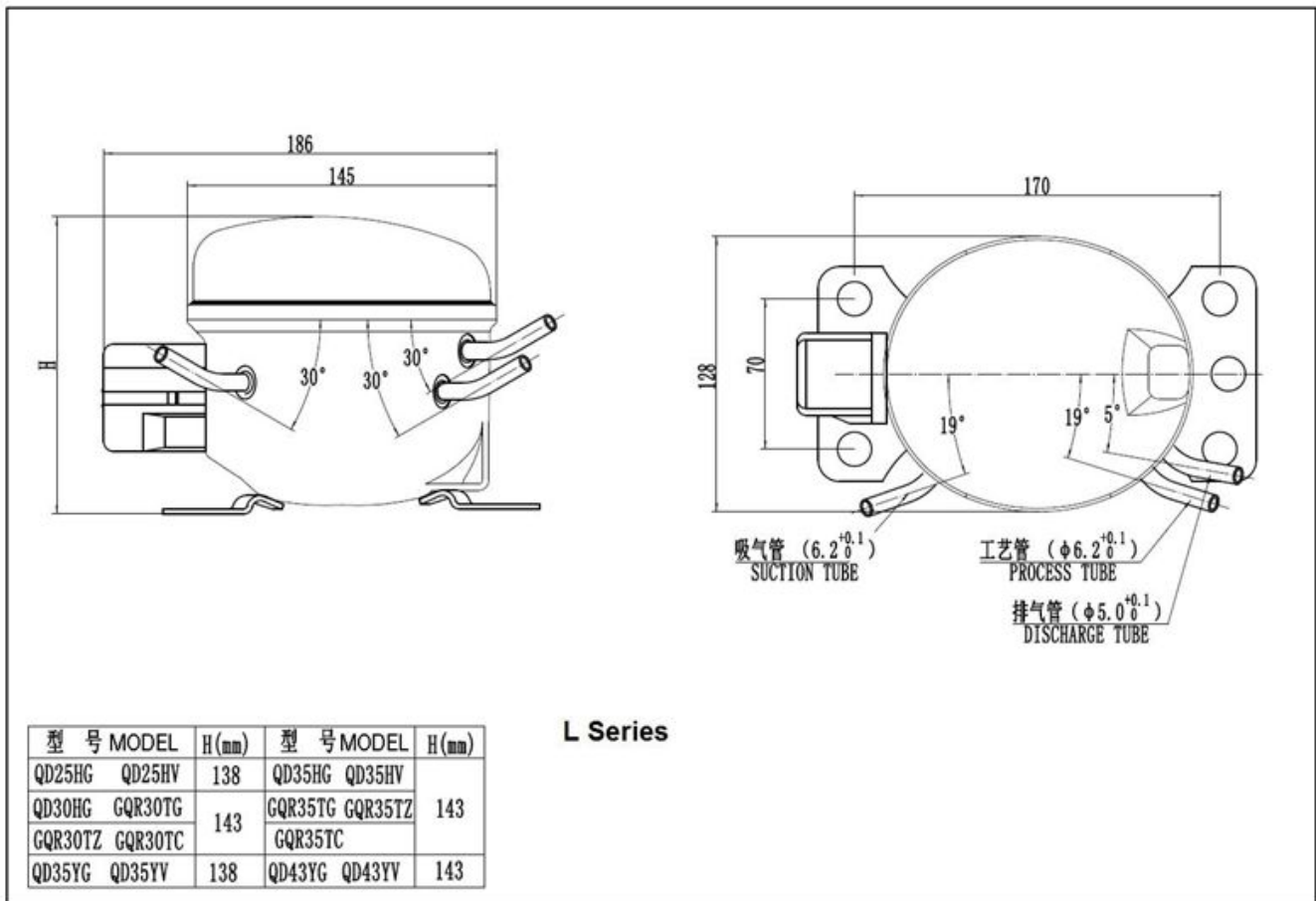
Température ambiante: 32,2 degrés

Température de sous-refroidissement: 32,2 degrés

Température de condensation: 54,4 degrés

Température d'aspiration: 32,2 degrés

Serial	Model	HP	V/Hz	Dispt (cm ³)	Cooling Capacity (ASHRAE)						Motor type	Starting Device	Starting capacitor (uF)	Running capacitor (uF)	Cooling Type
					Test Conditions: -23.3°C (-10F)										
					Capacity (W)	Capacity (Btu/h)	Input Power (W)	Current (A)	COP	EER					
L	QD25HG	1/12	220-240V/50-60Hz	2.5	55	188	52	0.55	1.05	3.61	RSIR	PTC Starting Relay	/	/	ST
	QD30HG	1/12		3.0	65	222	62	0.63	1.05	3.58	RSIR		/	/	ST
	QD35HG	1/11		3.5	75	256	71	0.68	1.05	3.60	RSIR		/	/	ST
	ADW43	1/6-		4.3	110	375	100	1.0	1.1	3.75	RSIR		/	/	ST
	ADW51	1/6		5.1	125	427	104	1.1	1.2	4.10	RSIR		/	/	ST
	ADW57	1/5-		5.7	135	461	112	1.15	1.2	4.11	RSIR		/	/	ST
MS	ADW43	1/6-		4.3	110	375	100	1.0	1.1	3.75	RSIR	PTC/Current Starting Relay	/	/	ST
	ADW51	1/6		5.1	125	427	104	1.1	1.2	4.10	RSIR		/	/	ST
	ADW57	1/5-		5.7	135	461	112	1.15	1.2	4.11	RSIR		/	/	ST
	ADW66	1/4-		6.6	165	563	132	1.2	1.25	4.27	RSIR		/	/	ST
	ADW77	1/4		7.7	185	631	148	1.4	1.25	4.27	RSIR		/	/	ST
	ADW86	1/4+		8.6	200	682	160	1.45	1.25	4.27	RSIR		/	/	ST
	ADW91	1/3-		9.1	220	751	176	1.65	1.25	4.27	RSIR		/	/	ST
MK	ADW66	1/4-		6.6	165	563	132	1.2	1.25	4.27	RSIR	Current Starting Relay	/	/	ST
	ADW77	1/4		7.7	185	631	148	1.4	1.25	4.27	RSIR		/	/	ST
	ADW86	1/4+		8.6	200	682	160	1.45	1.25	4.27	RSIR		/	/	ST
	ADW91	1/3-		9.1	220	751	176	1.65	1.25	4.27	RSIR		/	/	ST
	ADW110	3/8		11.0	270	921	215	2.05	1.25	4.28	RSIR		/	/	F
	ADW91	1/3-	9.1	220	751	176	1.65	1.25	4.27	RSIR	/		/	F	
WQ	ADW110	3/8	11.0	270	921	215	2.05	1.25	4.28	RSIR	Current Starting Relay	/	/	F	
	ADW128	3/8+	12.8	320	1092	256	2.3	1.25	4.27	CSIR		80	/	F	
	ADW142	1/2-	14.2	350	1194	280	2.6	1.25	4.27	CSIR		80	/	F	
	ADW153	1/2	15.3	380	1297	304	2.8	1.25	4.27	CSIR		80	/	F	



Private Picture Copyright: WWW.MBSM.PRO

1. Product Performance

- 1) QD35HG, série L, utilisez le réfrigérant R134A;
- 2) Application de tension 220V à 240V;
- 3) Fréquence pour 50 / 60HZ;
- 4) Type de moteur: RSIR;
- 5) Type de refroidissement: ST;
- 6) Le dispositif de démarrage est le relais PTC;
- 7) Application: basse contre-pression;
- 8) La puissance nominale est de 1/11 HP;
- 9) Le COP est de 1,05 avec une capacité de refroidissement de 75 W.

Ce modèle a passé les certificats CB / VDE et les personnages principaux comme ci-dessous

- 1) Petite taille;
- 2) haute efficacité et fiabilité;
- 3) faible bruit et vibration;
- 4) appliqué au mini réfrigérateur, au distributeur d'eau, etc.

basé sur la condition d'essai (ASHRAE)

- température d'évaporation: -23,3 degrés
- Température ambiante: 32,2 degrés
- Température de sous-refroidissement: 32,2 degrés
- Température de condensation: 54,4 degrés
- Température d'aspiration: 32,2 degrés

2. Spécifications du compresseur

Compresseurs, rotatifs, climatiseurs, KG-INDUSTRIES, SG533F, SG555F-A, SG573F, SG533Q, SG553Q, SG513Q, SG633G, SG633P, SG653P, SG673P, SG733R, FGA550-A, FG313S-A, CG133B, CG333D, CG433E, CG533F, CG533Q, CG633G, CG633P

Category: compressor

written by www.mbsm.pro | 12 December 2021

Caractéristiques

Appl.	Refrig.	Séries	Déplacement (ml / tr)	Ellipse	Tension (v)	Fréquence (Hz)	Capacité de refroidissement		Remarque		
							w	BTU / h			
T1	R22	SG	15,1	SG533F	220-240	50	2470	8430	CCEE / T ¹ V		
			15,1	SG555F-A	115	60	3090	10537	Sous application		
			15,1	SG573F	208-230	60	3065	10452	Sous application		
			16,2	SG533Q	220-240	50	2650	9037	CCEE / T ¹ V		
			16,2	SG553Q	110-120	60	3220	10980	UL		
			16,2	SG513Q	100	50	2813	9592			
			16,7	SG633G	220-240	50	2760	9412	CCEE / T ¹ V		
			17,3	SG633P	220-240	50	2850	9719	CCEE / T ¹ V		
			17,3	SG653P	110-120	60	3500	11935	UL		
			17,3	SG673P	208-230	60	3495	11918	UL		
			18,4	SG733R	220-240	50	2990	10196	CCEE / T ¹ V		
			R407C	CG	8,0	FGA550-A	115	60	1605	5473	Sous application
					13,3	FG313S-A	100	50	2330	7945	En développement
					10,4	CG133B	220-240	50	1710	5831	CCEE / T ¹ V
	12,5	CG333D			220-240	50	(2060)	(7025)	En développement		
	14,1	CG433E			220-240	50	(2320)	(7911)	En développement		
	15,1	CG533F			220-240	50	(2470)	(8423)	En développement		
				16,2	CG533Q	220-240	50	2650	9037	CCEE / T ¹ V	
				16,7	CG633G	220-240	50	(2760)	(9412)	En développement	
				17,3	CG633P	220-240	50	(2850)	(9719)	En développement	

Dimensions des compresseurs

Séries	Ellipse	A (millimètre)	B (millimètre)	C (millimètre)	D (millimètre)	E (mm) (ID)	F (mm) (ID)	G (millimètre)	Dessin n °
SG	SG533F SG573F SG533Q SG513Q SG553Q	242,0	193,0	65,0	99,0	8,2	9,8	54,5	N ° 1
	SG633F SG633P SG653P SG673P SG733R SG555F-A	256,0	193,0	65,0	99,0	8,2	9,8	55,5	N ° 1
	FGA550-A	221,8	193,0	65,0	99,0	8,2	9,8	45,7	N ° 1
FG	FG313S-A	242,0	193,0	65,0	99,0	8,2	9,8	54,5	N ° 1
	CG133B, CG533Q	242,0	193,0	65,0	99,0	8,2	9,8	55,5	N ° 1
SH	SH733H SH733Q SH833JSH833K	258,4	252,0	70,0	114,0	9,7	12,9	60,3	N ° 2
	SH833K-G SH833U	270,4	262,5	80,0	120,5	9,7	12,9	60,3	N ° 2
	SH773H SH773Q SHZ33L SHZ73L	278,4	252,5	70,0	114,0	9,7	12,9	60,3	N ° 2
	SH833R SH873R	278,4	262,5	70,0	120,5	9,7	12,9	60,3	N ° 2
	SH833R-S	293,4	220,5	70,0	114,0	9,7	12,9	60,3	N ° 2
	SHZ83L-E SHY33M-G								
	SHYM-D SHY33M-E	293,4	262,5	80,0	120,5	9,7	12,9	60,3	N ° 2
	SHY73M SHX33S								
	SHW33T SHW73T								
	SHW33Y-G SHV33Y	338,9	299,0	89,1	125,0	9,7	16,2	80,4	N ° 2
CH	CH833R-S CHY33M-S CHW33T	307,8	262,5	80,0	120,5	9,7	12,9	60,3	N ° 2
TH	THU33W	372,7	342,8	89,1	125,0	9,7	16,2	70,0	N ° 3
Dimensions des compresseurs contrôlés par onduleur									
Séries	Ellipse	A (millimètre)	B (millimètre)	C (millimètre)	D (millimètre)	E (mm) (ID)	F (mm) (ID)	G (millimètre)	Dessin n °
SG	SG280-Y SG280E-Y	256,0	228,0	70,0	102,5	8,2	12,9	68,0	N ° 1
	SG280-N SG2280-N SG2280E-N	256,0	228,0	70,0	102,5	8,2	12,9	68,0	N ° 1
FG	FG728C-Y	242,0	193,0	65,0	99,0	8,2	9,8	54,5	N ° 1
SH	SH228M-Y	293,4	268,0	89,1	125,0	9,7	16,2	60,3	N ° 2
	THS28M-Y	387,8	325,3	89,1	125,0	9,7	16,2	52,4	N ° 3



Private Picture Copyright: WWW.MBSM.PRO

Tecumseh ,Compressor Az1355D, 1/6Hp , R12 ,réfrigérateur

Category: Technologie,Tester ok

written by www.mbsm.pro | 12 December 2021

Tecumseh ,Compressor Az1355D, 1/6Hp , R12 ,réfrigérateur