

# Cold room, Copeland, ZR scroll, compressor, ZR144KCE-TFD-550, 12HP Copeland Scroll Compressor, Hermetic Compressor Specifications

Category: compressor

written by [www.mbsm.pro](http://www.mbsm.pro) | 13 December 2021

**Type:** Hermetic scroll compressors **Producer:** Copeland **Series:** ZR

**Model:** ZR144KCE-TFD

## Technical data

Displacement [m <sup>3</sup> /h]:	33,2
Sound power [dBA]:	75
Sound pressure level [dB]:	64
Net Weight [kg]:	61,2
Gross Weight [kg]:	72
Oil charge [dm <sup>3</sup> ]:	3,3
Maximum high pressure [bar]:	32
Maximum standstill pressure [bar]:	20
Minimal lowside temperature [°C]:	-35
Maximum lowside temperature [°C]:	52
PED category:	2

## Electrical data

Power supply [V~/Hz]:	380-420/3/50Hz
Locked rotor current [A]:	118
Max. operating current [A]:	22,3
Winding resistance [Ω]:	1,2

## Connections

Suction connection with supplied sleeve:	1 3/8" inches
Discharge connection with supplied sleeve:	7/8"
Compressor Copeland Scroll ZR144KCE-TFD-425, R407C, 380-420V	
Type of engine:	TFD
Displacement:	33.2 m <sup>3</sup> / h (191,23 cm <sup>3</sup> )
Cooling capacity (0 ° C):	20.00 kW.
Oil quantity:	3.38 L.
Noise level:	61 dBA – 1 m.
Max. Noise level:	75 dBA.
Max. Operating current (FLA):	22.3 A.
LRA:	118.0 A.
Connectors:	1.3 / 8 "x 7/8".
Dimensions (LxWxH):	264x285x533 mm
Net Weight:	61.2 kg

<b>Shipping Class</b>	Standard
<b>Scope Of Application</b>	HBP

<b>Lieferzeit</b>	Ca. 10-14 Tage
<b>Type Of Construction</b>	Scroll
<b>Maker</b>	Copeland
<b>Manufacturer No.</b>	ZR144KCE-TFD-425
<b>Style</b>	1
<b>Refrigerants</b>	R407C
<b>Series</b>	ZR
<b>Condensing Units Compressors</b>	Compressors
<b>Suspense</b>	380-420V
<b>Weight In Kg</b>	61

Model	Horse Power (HP)	Cooling capacity(w)	InputPower(kw)	Current (A)	Bottom corner size(mm)	Weight(KG)
ZR144KC-TFD-550	12	34730	10.87	19.6	190	63



MODEL **ZR144KCE - TFD - 550**



SERIAL **13G6771ET**



**UL** US  
SA2337



1-OPER MAX	22.3	PED CAT2 / FG2	HIGH SIDE PS = 32.0 BAR
2-OPER MAX	22.3	$\nabla$ (m <sup>3</sup> /h)	
		40.05	n (min <sup>-1</sup> )
		33.18	3500
			2900
			BOX
			IP
			21
		93384-016	UA7635 2
			THERMALLY PROTECTED
			PED LOW SIDE
			TS MIN = -35°C
			TS MAX = 50°C
			PS = 20.0 BAR

**WARNING**

# ADVERTENCIA

Únicamente personal capacitado deberá efectuar el servicio del equipo. El no seguir estas advertencias de seguridad podrá ser causa de lesiones graves o la muerte.

**PELIGRO DE DESCARGA ELECTRICA**

Desconecte la corriente eléctrica antes de dar servicio. Descargue todos los capacitores. Este equipo debe usarse únicamente en un sistema conectado a tierra. Una falta de conexión a tierra puede causar lesiones graves o la muerte.



# PETRA

PETRA ENGINEERING INDUSTRIES CO.  
P.O. BOX 141351 Amman 11814 JORDAN



MODEL

REF. No.

SERIAL NO.

NOMINAL POWER SUPPLY VOLT/Hz /Ph

COMP. MOTOR A	QTY	VOLT	LRA	RLA	Max. Amp.	hp
	<input type="text" value="1"/>	<input type="text" value="380"/>	<input type="text" value="110"/>	<input type="text" value="19 6"/>	<input type="text" value="22 3"/>	<input type="text" value="12"/>

COMP. MOTOR B	QTY	VOLT	LRA	RLA	Max. Amp.	hp
	<input type="text"/>	<input type="text"/>	<input type="text"/>	<input type="text"/>	<input type="text"/>	<input type="text"/>

COND. FAN MOTOR A	QTY	VOLT	Ph	kW	FLA
	<input type="text" value="2"/>	<input type="text" value="380"/>	<input type="text" value="3"/>	<input type="text" value="0 43"/>	<input type="text" value="1 1"/>

COND. FAN MOTOR B	QTY	VOLT	Ph	kW	FLA
	<input type="text"/>	<input type="text"/>	<input type="text"/>	<input type="text"/>	<input type="text"/>

EVAP. FAN MOTOR	QTY	VOLT	Ph	kW	FLA
	<input type="text" value="1"/>	<input type="text" value="380"/>	<input type="text" value="3"/>	<input type="text" value="4"/>	<input type="text" value="8 4"/>

ELECTRIC HEATER	QTY	VOLT	Ph	kW	FLA
	<input type="text" value="3"/>	<input type="text" value="220"/>	<input type="text" value="1"/>	<input type="text" value="3"/>	<input type="text" value="13 6"/>

COIL TEST PRESSURE  Psig      REFRIGERANT

MINIMUM WATER LOOP VOLUME (GAL)

CHILLER MINIMUM WATER FLOW RATE (GPM)

Made in Jordan



Manufacturing Year

---

COMPRESSOR, DANFOSS, NL8.4MF, R134A, 1/4HP, 8.35CM3, Compressor Danfoss Secop NL8.4MF, 105G6879, MBP -R134a, 220-240V/1/50Hz, discharge 8.35 cm3, motor type RSIR / CSIR, oil type POE, oil charge 320 cm3, 741 W at +7.2 / +55° C, LRA 11.7 A, maximum refrigerant charge 600 g, height: 197 mm, weight 10.5 kg

Category: compressor

written by [www.mbsm.pro](http://www.mbsm.pro) | 13 December 2021

230V 50/60HZ

## FICHE TECHNIQUE COMPRESSEUR DANFOSS NL8.4MF AU R134A 1/4HP 8.35CM3

Puissance HP	1/4
Tension (V)	230
Fréquence (Hz)	50/60
Marque pie	DANFOSS
Cylindrée	8.35
Référence marque	NL8.4MF



Private Picture Copyright : [WWW.MBSM.PRO](http://WWW.MBSM.PRO)

R134a	refrigerant	605089	رقم القطعة
HP 1/4	power	NL8.4MF	type
RSIR/CSIR	motor system	cm <sup>3</sup> 8.35	cylinder capacity
W 491	power at -5°C	W 390	power at -10°C
W 749	power at +5°C	W 610	power at 0°C
W 235	power at -20°C	W -	power at -25°C
W 912	power at +10°C	W 305	power at -15°C
HMBP	application	ASHRAE	test method
Hz 50	frequency	kg 10.5	weight
mm 197	height	V 220-240	voltage

Private Picture Copyright : [WWW.MBSM.PRO](http://WWW.MBSM.PRO)

Mbsm\_dot\_pro\_private\_PDF\_NL8.4MFTélécharger

SC18G, 104G8820, Universal,  
Compressor, R134a, 220-240V 50/60Hz,

# DANFOSS, SECOP, R134a, HMBP, 1/2 Hp++, déplacement 17.70 cc, CSIR, SC18G 104G8820

Category: compressor

written by [www.mbsm.pro](http://www.mbsm.pro) | 13 December 2021

## Détails du produit

Poids brut 13.8 kg

Poids Net 13.8 kg

### Applications

Charge en fluide frigorigène [kg] [Max]

Charge en huile [L]

Code de configuration

Couleur

Courant d'appel HST [A]

Description

Diamètre de raccordement à l'aspiration [mm]

Diamètre du raccord au refoulement [mm]

Diamètre du raccordement du traitement [mm]

Désignation du modèle

Emballage (format)

Faible valeur de plage de tension à 50 Hz [V]

Faible valeur de plage de tension à 60 Hz [V]

Faible valeur de tension nominale à 50 Hz [V]

Faible valeur de tension nominale à 60 Hz [V]

Fluides

Fréquence [Hz]

Hauteur de la base [mm]

Hauteur du raccordement de refoulement [mm]

Hauteur raccordement aspiration [mm]

Hauteur totale [mm]

LRA HST [A]

Matériel du raccord au process

Matériel du raccord d'aspiration

Matériel du raccord de refoulement

Niveau d'énergie de l'application

Nombre de phases (compresseur)

Nombre de phases (ventilateur)

HBP

LBP

MBP

1.3 kg

600 L

Simple

Noir

18.6 A

SC18G

10.2 mm

6.2 mm

6.2 mm

Compresseur

Emballage industriel

187 V

198 V

208 V

220 V

R134a

50/60

213 mm

110 mm

193 mm

219 mm

18.6 A

Acier cuivré

Acier cuivré

Acier cuivré

Compresseur universel

1

1

Norme d'approbation	CE EN 60335-2-34 avec Annexe AA
Notes concernant le raccord de refoulement	Capuchon en aluminium
Notes concernant le raccordement au process	Capuchon en aluminium
Notes concernant le raccordement à l'aspiration	Capuchon en aluminium
N° de modèle	SC18G
N° de schéma	8258
Oil type	P0E
Phase	1
Puissance frigorifique nominale 60 kBTU/h	6.06 kBtu/h
Puissance frigorifique nominale à 60 Hz	1.8 kW
Quantité d'huile [cm <sup>3</sup> ]	600 cm <sup>3</sup>
Quantité par emballage	80
raccord de refoulement équerre [°]	37 °
raccord d'aspiration équerre [°]	37 °
Raccordement de process équerre	37 °
Régulation de la puissance	Vitesse fixe
Résistance de l'enroulement auxiliaire (enroulement de démarrage) pour compresseurs monophasés [ohm]	14.1 Ohm
Résistance de l'enroulement principal pour compresseurs monophasés [Ohm]	3.7 Ohm
Technique de la marque	Compresseur à pistons
Technologie	Piston
Température d'enroulement max. continue [°C] [Max]	125 °C
Température de l'enroulement à court terme [°C] [Max]	135 °C
Tension 50 Hz [V]	220 V
Tension 50 Hz [V] [max.]	240 V
Tension 60 Hz [V]	220 V
Tension 60 Hz [V] [max.]	240 V
Type	SC
Type de moteur	CSIR
Type de socle	Universel
Utilisation de tronçon	Réfrigération LT Réfrigération MT
Valeur du condensateur A	10 µF
Valeur du condensateur B	80 uF
Valeur élevée de plage de tension à 50 Hz [V]	254 V
Valeur élevée de plage de tension à 60 Hz [V]	254 V
Valeur élevée de tension nominale à 50 Hz [V]	230 V
Valeur élevée de tension nominale à 60 Hz [V]	230 V
Vitesse de rotation à 50 Hz [rpm]	2900 rpm
Vitesse de rotation à 60 Hz [rpm]	3500 rpm
Volume balayé [cm <sup>3</sup> ]	17.69 cm <sup>3</sup>
Volume de gaz libre [cm <sup>3</sup> ]	1460 cm <sup>3</sup>
Économiseur	No



Type de document	Country	Langue	Titre
	France		
	Afrique du Sud	Langue	
	Allemagne	Français	
	Australie Autriche	Allemand	
	Belarus Belgique	Anglais	
	Brazil Bulgarie	Arabe	
	Canada Chili Chine	Bulgare	
	(continentale)	Chinois	
	Colombie Corée du	Coréen	
	Sud Croatie	Croate	
	Danemark	Danois	
	Emir.arab.unis	Espagnol	
	Espagne Estonia	Estonien	
	Finlande Grande	Finnois Grec	
	Bretagne Grèce	Hindi	
	Hongrie Inde +	Hongrois	
	Sikkim Indonésie	Hébreu	
	Ireland Islande	Indonésien	
	Israël Italie	Islandais	
	Japon Kazakhstan	Italien	Titre
	Lettonie Lithuania	Japonais	
	Macedonia Malaisie	Kazakh	
	Mexique N. Zélande	Letton	
	Norvège Pays-Bas	Lituanien	
	Philippines	Norvégien	
	Pologne Portugal	Néerlandais	
	Roumanie Russian	Polonais	
	Federation Rép.	Portugais	
	tchèque Saudi	Roumain	
	Arabia Serbia	Russe Serbe	
	Singapour	Slovaque	
	Slovaquie Slovénie	Slovène	
	Suisse Suède	Suédois	
	Taiwan, Chine	Tchèque Thaï	
	Thailand Tunisie	Turc	
	Turquie Ukraine	Ukrainien	
	USA Viêt Nam	Vietnamien	
	Vénézuéla		

<b>Guide d'installation</b>	France	Français	<b>Instructions SC Twin Compressors</b> AN00008643707201-000101 183 KB
<b>Matériel promotionnel</b>	France	Français	<b>Refrigerant Circuit</b> AV00008642183800-000402 463 KB

Compresseur Danfoss SC18G - R134a

Cylindrée = 17.69 CM3

APPLICATIONS = HP; BP; MP

Moteur = CSIR

220-240V 50/60Hz



**Design**

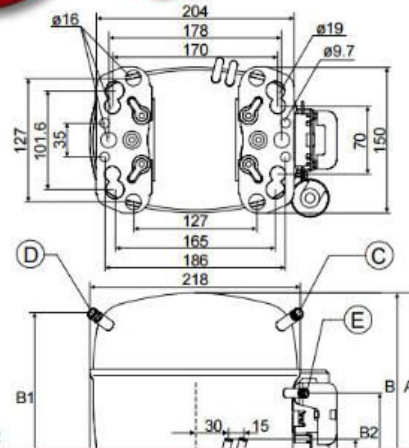
Displacement	cm <sup>3</sup>	17.69
Oil quantity	cm <sup>3</sup>	600 (550 on comp. with oil cooler)
Maximum refrigerant charge	g	1300
Free gas vol. in compressor	cm <sup>3</sup>	1460
Weight without electrical equipment	kg	13.7

**Motor**

Motor size	watt	495
LRA (rated after 4 sec. UL984) HST	A	18.6
Cut-in current HST	A	18.6
Resistance, main and start winding (25°C)	Ω	3.7/14.1
Approvals		EN 60335-2-34, CCIB

**Dimensions**

104G8830 104G8820 104G8822



Private Picture Copyright : WWW.MBSM.PRO

R134a	refrigerant	605076	رقم القطعة
HP 1/2	power	SC18G	type
cm <sup>3</sup> 17.7	cylinder capacity	W 495	power input
V 220-240	voltage	CSIR	motor system
W 844	power at -10°C	mm 219	height
W 1343	power at 0°C	W 1074	power at -5°C
W -	power at -30°C	W 1655	power at +5°C
W 485	power at -20°C	W 348	power at -25°C
W 2014	power at +10°C	W 649	power at -15°C
HMBP	application	ASHRAE	test method
kg 13.7	weight	Hz 50	frequency



Private Picture Copyright : WWW.MBSM.PRO

# Visuels

Mbsm\_dot\_pro\_private\_PDF\_SC18GTélécharger



Private Picture Copyright : [WWW.MBSM.PRO](http://WWW.MBSM.PRO)

Compressor, hermetic, medium temperature, 7 HP, r22, POE, MT80HP4, MT80 HP4, 400/3/50, 460/3/60 volt, 1-3/4" RL – 1-1/8" x 1-1/4" RL – 3/4"

Category: compressor

written by [www.mbsm.pro](http://www.mbsm.pro) | 13 December 2021

# Product details

Gross weight 41.58 kg

Net weight 39.1 kg

EAN 5702428839525

Approval standard	CE UL
Brand technique	Reciprocating compressor
Capacity control	Fixed speed
Colour	Blue
Compressor power supply [V/Ph/Hz]	400/3/50 460/3/60
Configuration code	Single
Connection type	Rotolock
Cylinder	2
Description	MT080-4
Diameter [mm]	288 mm
Discharge connection height [mm]	74 mm
Discharge connection mounting torque [Nm]	90 Nm
Discharge connection pipe size [in]	3/4 in
Discharge connection rotolock size [in]	1 1/4 in
Discharge connection size [in]	1 1/4 in
Discharge connection sleeve pipe size [in]	3/4 in
Drawing number	8502012g
Economizer	No
Factory HP [bar]	25 bar
Factory LP [bar]	25 bar
Fitting remark	(shipped with rotolock version only)
Fitting sleeve	ODF
Fitting standard	Rotolock
Frequency [Hz]	50/60
Gauge port HP	None
Gauge port LP	Schrader
Generation code	B
Glass mounting	Threaded
Glass torque [Nm]	50 Nm
GP LP torque [Nm]	15 Nm
High side max pressure (Ps)	27.8 bar
High Side TS Max	150 °C
High Side TS Min	-35 °C
High Side Volume	0.6 L
High value of nominal voltage at 50Hz [V]	400 V
High value of nominal voltage at 60Hz [V]	460 V

High value of voltage range at 50Hz [V]	460 V
High value of voltage range at 60Hz [V]	506 V
IP protection class	IP55 (with cable gland)
Low side max pressure (Ps)	18.4 bar
Low Side TS Max	50 °C
Low Side TS Min	-35 °C
Low Side Volume	16.5 L
Low value of nominal voltage at 50Hz [V]	380 V
Low value of nominal voltage at 60Hz [V]	460 V
Low value of voltage range at 50Hz [V]	340 V
Low value of voltage range at 60Hz [V]	414 V
LRA	80 A
MCC	18 A
Model number	MT80HP4AVE
Motor protection	Internal overload protector
Mounting torque [Nm]	15 Nm
Nominal cooling capacity 60 kBTU/h	80.2 kBtu/h
Nominal cooling capacity at 50Hz	17.8 kW
Nominal cooling capacity at 60Hz	23.5 kW
Number of starts per hour [Max]	12
Oil charge [L]	1.8 L
Oil equalization	3/8" flare SAE
Oil equalization torque [Nm]	30 Nm
Oil reference	160P
Packaging height [mm]	455 mm
Packaging length [mm]	395 mm
Packaging weight [Kg]	44 kg
Packaging width [mm]	365 mm
Packing format	Single pack
Packing quantity	1
Phase	3
Power connections	Spade
Refrigerant	R22
Refrigerant charge [kg] [Max]	5 kg
Relief valve	30 bar/8 bar
Rotational speed at 50Hz [rpm]	2900 rpm
Rotational speed at 60Hz [rpm]	3500 rpm
Segment usage	Air conditioning Refrigeration MT
Shipped fittings	Suction and discharge solder sleeves, rotolock nuts and gaskets
Shipped instructions	Installation instructions
Shipped mounting	Mounting kit with grommets, bolts, nuts, sleeves and washers
Shipped oil	Initial oil charge

Suction connection height [mm]	265 mm
Suction connection mounting torque [Nm]	110 Nm
Suction connection pipe size [in]	1 1/8 in
Suction connection rotolock size [in]	1 3/4 in
Suction connection size [in]	1 3/4 in
Suction connection sleeve pipe size [in]	1 1/8 in
Swept volume [cm <sup>3</sup> ]	135.78 cm <sup>3</sup>
Technology	Reciprocating
Test dif [bar] [Max]	30 bar
Test HP [bar] [Max]	30 bar
Test LP [bar] [Max]	25 bar
Torque earth [Nm]	3 Nm
Torque power [Nm]	3 Nm
Total height [mm]	413 mm
Type	MT
Type designation	Compressor
Viscosity [cP]	32 cP
Winding resistance for three-phase compressors with identical windings [Ohm]	1.94 Ohm

Description

## Product details

Gross weight 44.5 kg  
Net weight 42 kg  
EAN 5702428839525  
Gross weight 44.5 kg  
Net weight 42 kg  
EAN 5702428839525

Approval standard	CE UL
Brand technique	Reciprocating compressor
Capacity control	Fixed speed
Colour	Blue
Compressor power supply [V/Ph/Hz]	400/3/50 460/3/60
Configuration code	Single
Connection type	Rotolock
Cylinder	2
Description	MT080-4
Diameter [mm]	288 mm
Discharge connection height [mm]	74 mm
Discharge connection mounting torque [Nm]	90 N-m
Discharge connection pipe size [in]	3/4 in

Discharge connection rotolock size [in]	1 1/4 in
Discharge connection size [in]	1 1/4 in
Discharge connection sleeve pipe size [in]	3/4 in
Drawing number	8502012g
Economizer	No
Factory HP [bar]	25 bar
Factory LP [bar]	25 bar
Fitting remark	(shipped with rotolock version only)
Fitting sleeve	ODF
Fitting standard	Rotolock
Frequency [Hz]	50/60
Gauge port HP	None
Gauge port LP	Schrader
Generation code	B
Glass mounting	Threaded
Glass torque [Nm]	50 N-m
GP LP torque [Nm]	15 N-m
High side max pressure (Ps)	27.8 bar
High Side TS Max	150 Â°C
High Side TS Min	-35 Â°C
High Side Volume	0.6 L
High value of nominal voltage at 50Hz [V]	400 V
High value of nominal voltage at 60Hz [V]	460 V
High value of voltage range at 50Hz [V]	460 V
High value of voltage range at 60Hz [V]	506 V
IP protection class	IP55 (with cable gland)
Low side max pressure (Ps)	18.4 bar
Low Side TS Max	50 Â°C
Low Side TS Min	-35 Â°C
Low Side Volume	16.5 L
Low value of nominal voltage at 50Hz [V]	380 V
Low value of nominal voltage at 60Hz [V]	460 V
Low value of voltage range at 50Hz [V]	340 V
Low value of voltage range at 60Hz [V]	414 V
LRA	80 A
MCC	18.5 A
Model number	MT80HP4AVE
Motor protection	Internal overload protector
Mounting torque [Nm]	15 N-m
Nominal cooling capacity 60 kBTU/h	80.2 kBTU/h
Nominal cooling capacity at 50Hz	17.8 kW
Nominal cooling capacity at 60Hz	23.5 kW
Number of starts per hour [Max]	12
Oil charge [L]	1.8 L
Oil equalization	3/8" flare SAE
Oil equalization torque [Nm]	30 N-m

Oil reference	160P
Packaging height [mm]	455 mm
Packaging length [mm]	395 mm
Packaging weight [Kg]	44 kg
Packaging width [mm]	365 mm
Packing format	Single pack
Packing quantity	1
Phase	3
Power connections	Spade
Refrigerant	R22
Refrigerant charge [kg] [Max]	5 kg
Relief valve	30 bar/8 bar
Rotational speed at 50Hz [rpm]	2900 rpm
Rotational speed at 60Hz [rpm]	3500 rpm
Segment usage	Air conditioning Refrigeration MT
Shipped fittings	Suction and discharge solder sleeves, rotolock nuts and gaskets
Shipped instructions	Installation instructions
Shipped mounting	Mounting kit with grommets, bolts, nuts, sleeves and washers
Shipped oil	Initial oil charge
Suction connection height [mm]	265 mm
Suction connection mounting torque [Nm]	110 N-m
Suction connection pipe size [in]	1 1/8 in
Suction connection rotolock size [in]	1 3/4 in
Suction connection size [in]	1 3/4 in
Suction connection sleeve pipe size [in]	1 1/8 in
Swept volume [cm <sup>3</sup> ]	135.78 cm <sup>3</sup>
Technology	Reciprocating
Test dif [bar] [Max]	30 bar
Test HP [bar] [Max]	30 bar
Test LP [bar] [Max]	25 bar
Torque earth [Nm]	3 N-m
Torque power [Nm]	3 N-m
Total height [mm]	413 mm
Type	MT
Type designation	Compressor
Viscosity [cP]	32 cP
Winding resistance for three-phase compressors with identical windings [Ohm]	1.94 Ohm
Approval standard	CE UL
Brand technique	Reciprocating compressor
Capacity control	Fixed speed

Colour	Blue
Compressor power supply [V/Ph/Hz]	400/3/50 460/3/60
Configuration code	Single
Connection type	Rotolock
Cylinder	2
Description	MT080-4
Diameter [mm]	288 mm
Discharge connection height [mm]	74 mm
Discharge connection mounting torque [Nm]	90 N-m
Discharge connection pipe size [in]	3/4 in
Discharge connection rotolock size [in]	1 1/4 in
Discharge connection size [in]	1 1/4 in
Discharge connection sleeve pipe size [in]	3/4 in
Drawing number	8502012g
Economizer	No
Factory HP [bar]	25 bar
Factory LP [bar]	25 bar
Fitting remark	(shipped with rotolock version only)
Fitting sleeve	ODF
Fitting standard	Rotolock
Frequency [Hz]	50/60
Gauge port HP	None
Gauge port LP	Schrader
Generation code	B
Glass mounting	Threaded
Glass torque [Nm]	50 N-m
GP LP torque [Nm]	15 N-m
High side max pressure (Ps)	27.8 bar
High Side TS Max	150 Â°C
High Side TS Min	-35 Â°C
High Side Volume	0.6 L
High value of nominal voltage at 50Hz [V]	400 V
High value of nominal voltage at 60Hz [V]	460 V
High value of voltage range at 50Hz [V]	460 V
High value of voltage range at 60Hz [V]	506 V
IP protection class	IP55 (with cable gland)
Low side max pressure (Ps)	18.4 bar
Low Side TS Max	50 Â°C
Low Side TS Min	-35 Â°C
Low Side Volume	16.5 L
Low value of nominal voltage at 50Hz [V]	380 V
Low value of nominal voltage at 60Hz [V]	460 V
Low value of voltage range at 50Hz [V]	340 V
Low value of voltage range at 60Hz [V]	414 V
LRA	80 A

MCC	18.5 A
Model number	MT80HP4AVE
Motor protection	Internal overload protector
Mounting torque [Nm]	15 N-m
Nominal cooling capacity 60 kBTU/h	80.2 kBtu/h
Nominal cooling capacity at 50Hz	17.8 kW
Nominal cooling capacity at 60Hz	23.5 kW
Number of starts per hour [Max]	12
Oil charge [L]	1.8 L
Oil equalization	3/8" flare SAE
Oil equalization torque [Nm]	30 N-m
Oil reference	160P
Packaging height [mm]	455 mm
Packaging length [mm]	395 mm
Packaging weight [Kg]	44 kg
Packaging width [mm]	365 mm
Packing format	Single pack
Packing quantity	1
Phase	3
Power connections	Spade
Refrigerant	R22
Refrigerant charge [kg] [Max]	5 kg
Relief valve	30 bar/8 bar
Rotational speed at 50Hz [rpm]	2900 rpm
Rotational speed at 60Hz [rpm]	3500 rpm
Segment usage	Air conditioning Refrigeration MT
Shipped fittings	Suction and discharge solder sleeves, rotolock nuts and gaskets
Shipped instructions	Installation instructions
Shipped mounting	Mounting kit with grommets, bolts, nuts, sleeves and washers
Shipped oil	Initial oil charge
Suction connection height [mm]	265 mm
Suction connection mounting torque [Nm]	110 N-m
Suction connection pipe size [in]	1 1/8 in
Suction connection rotolock size [in]	1 3/4 in
Suction connection size [in]	1 3/4 in
Suction connection sleeve pipe size [in]	1 1/8 in
Swept volume [cm3]	135.78 cm3
Technology	Reciprocating
Test dif [bar] [Max]	30 bar
Test HP [bar] [Max]	30 bar
Test LP [bar] [Max]	25 bar
Torque earth [Nm]	3 N-m

<b>Torque power [Nm]</b>	3 N-m
<b>Total height [mm]</b>	413 mm
<b>Type</b>	MT
<b>Type designation</b>	Compressor
<b>Viscosity [cP]</b>	32 cP
<b>Winding resistance for three-phase compressors with identical windings [Ohm]</b>	1.94 Ohm

Refrigerant: R22, Segment usage: Air conditioning;Refrigeration MT, Compressor power supply [V/Ph/Hz]: 400/3/50 460/3/60

## Product details

<b>Gross weight</b>	44.5 kg
<b>Net weight</b>	42 kg
<b>EAN</b>	5702428839525
<b>Gross weight</b>	44.5 kg
<b>Net weight</b>	42 kg
<b>EAN</b>	5702428839525

<b>Approval standard</b>	CE UL
<b>Brand technique</b>	Reciprocating compressor
<b>Capacity control</b>	Fixed speed
<b>Colour</b>	Blue
<b>Compressor power supply [V/Ph/Hz]</b>	400/3/50 460/3/60
<b>Configuration code</b>	Single
<b>Connection type</b>	Rotolock
<b>Cylinder</b>	2
<b>Description</b>	MT080-4
<b>Diameter [mm]</b>	288 mm
<b>Discharge connection height [mm]</b>	74 mm
<b>Discharge connection mounting torque [Nm]</b>	90 N-m
<b>Discharge connection pipe size [in]</b>	3/4 in
<b>Discharge connection rotolock size [in]</b>	1 1/4 in
<b>Discharge connection size [in]</b>	1 1/4 in
<b>Discharge connection sleeve pipe size [in]</b>	3/4 in
<b>Drawing number</b>	8502012g
<b>Economizer</b>	No
<b>Factory HP [bar]</b>	25 bar
<b>Factory LP [bar]</b>	25 bar
<b>Fitting remark</b>	(shipped with rotolock version only)
<b>Fitting sleeve</b>	ODF
<b>Fitting standard</b>	Rotolock
<b>Frequency [Hz]</b>	50/60

Gauge port HP	None
Gauge port LP	Schrader
Generation code	B
Glass mounting	Threaded
Glass torque [Nm]	50 N-m
GP LP torque [Nm]	15 N-m
High side max pressure (Ps)	27.8 bar
High Side TS Max	150 Â°C
High Side TS Min	-35 Â°C
High Side Volume	0.6 L
High value of nominal voltage at 50Hz [V]	400 V
High value of nominal voltage at 60Hz [V]	460 V
High value of voltage range at 50Hz [V]	460 V
High value of voltage range at 60Hz [V]	506 V
IP protection class	IP55 (with cable gland)
Low side max pressure (Ps)	18.4 bar
Low Side TS Max	50 Â°C
Low Side TS Min	-35 Â°C
Low Side Volume	16.5 L
Low value of nominal voltage at 50Hz [V]	380 V
Low value of nominal voltage at 60Hz [V]	460 V
Low value of voltage range at 50Hz [V]	340 V
Low value of voltage range at 60Hz [V]	414 V
LRA	80 A
MCC	18.5 A
Model number	MT80HP4AVE
Motor protection	Internal overload protector
Mounting torque [Nm]	15 N-m
Nominal cooling capacity 60 kBTU/h	80.2 kBtu/h
Nominal cooling capacity at 50Hz	17.8 kW
Nominal cooling capacity at 60Hz	23.5 kW
Number of starts per hour [Max]	12
Oil charge [L]	1.8 L
Oil equalization	3/8" flare SAE
Oil equalization torque [Nm]	30 N-m
Oil reference	160P
Packaging height [mm]	455 mm
Packaging length [mm]	395 mm
Packaging weight [Kg]	44 kg
Packaging width [mm]	365 mm
Packing format	Single pack
Packing quantity	1
Phase	3
Power connections	Spade
Refrigerant	R22
Refrigerant charge [kg] [Max]	5 kg

Relief valve	30 bar/8 bar
Rotational speed at 50Hz [rpm]	2900 rpm
Rotational speed at 60Hz [rpm]	3500 rpm
Segment usage	Air conditioning Refrigeration MT
Shipped fittings	Suction and discharge solder sleeves, rotolock nuts and gaskets
Shipped instructions	Installation instructions
Shipped mounting	Mounting kit with grommets, bolts, nuts, sleeves and washers
Shipped oil	Initial oil charge
Suction connection height [mm]	265 mm
Suction connection mounting torque [Nm]	110 N-m
Suction connection pipe size [in]	1 1/8 in
Suction connection rotolock size [in]	1 3/4 in
Suction connection size [in]	1 3/4 in
Suction connection sleeve pipe size [in]	1 1/8 in
Swept volume [cm <sup>3</sup> ]	135.78 cm <sup>3</sup>
Technology	Reciprocating
Test dif [bar] [Max]	30 bar
Test HP [bar] [Max]	30 bar
Test LP [bar] [Max]	25 bar
Torque earth [Nm]	3 N-m
Torque power [Nm]	3 N-m
Total height [mm]	413 mm
Type	MT
Type designation	Compressor
Viscosity [cP]	32 cP
Winding resistance for three-phase compressors with identical windings [Ohm]	1.94 Ohm
Approval standard	CE UL
Brand technique	Reciprocating compressor
Capacity control	Fixed speed
Colour	Blue
Compressor power supply [V/Ph/Hz]	400/3/50 460/3/60
Configuration code	Single
Connection type	Rotolock
Cylinder	2
Description	MT080-4
Diameter [mm]	288 mm
Discharge connection height [mm]	74 mm
Discharge connection mounting torque [Nm]	90 N-m
Discharge connection pipe size [in]	3/4 in
Discharge connection rotolock size [in]	1 1/4 in

Discharge connection size [in]	1 1/4 in
Discharge connection sleeve pipe size [in]	3/4 in
Drawing number	8502012g
Economizer	No
Factory HP [bar]	25 bar
Factory LP [bar]	25 bar
Fitting remark	(shipped with rotolock version only)
Fitting sleeve	ODF
Fitting standard	Rotolock
Frequency [Hz]	50/60
Gauge port HP	None
Gauge port LP	Schrader
Generation code	B
Glass mounting	Threaded
Glass torque [Nm]	50 N-m
GP LP torque [Nm]	15 N-m
High side max pressure (Ps)	27.8 bar
High Side TS Max	150 Â°C
High Side TS Min	-35 Â°C
High Side Volume	0.6 L
High value of nominal voltage at 50Hz [V]	400 V
High value of nominal voltage at 60Hz [V]	460 V
High value of voltage range at 50Hz [V]	460 V
High value of voltage range at 60Hz [V]	506 V
IP protection class	IP55 (with cable gland)
Low side max pressure (Ps)	18.4 bar
Low Side TS Max	50 Â°C
Low Side TS Min	-35 Â°C
Low Side Volume	16.5 L
Low value of nominal voltage at 50Hz [V]	380 V
Low value of nominal voltage at 60Hz [V]	460 V
Low value of voltage range at 50Hz [V]	340 V
Low value of voltage range at 60Hz [V]	414 V
LRA	80 A
MCC	18.5 A
Model number	MT80HP4AVE
Motor protection	Internal overload protector
Mounting torque [Nm]	15 N-m
Nominal cooling capacity 60 kBTU/h	80.2 kBtu/h
Nominal cooling capacity at 50Hz	17.8 kW
Nominal cooling capacity at 60Hz	23.5 kW
Number of starts per hour [Max]	12
Oil charge [L]	1.8 L
Oil equalization	3/8" flare SAE
Oil equalization torque [Nm]	30 N-m

Oil reference	160P
Packaging height [mm]	455 mm
Packaging length [mm]	395 mm
Packaging weight [Kg]	44 kg
Packaging width [mm]	365 mm
Packing format	Single pack
Packing quantity	1
Phase	3
Power connections	Spade
Refrigerant	R22
Refrigerant charge [kg] [Max]	5 kg
Relief valve	30 bar/8 bar
Rotational speed at 50Hz [rpm]	2900 rpm
Rotational speed at 60Hz [rpm]	3500 rpm
Segment usage	Air conditioning Refrigeration MT
Shipped fittings	Suction and discharge solder sleeves, rotolock nuts and gaskets
Shipped instructions	Installation instructions
Shipped mounting	Mounting kit with grommets, bolts, nuts, sleeves and washers
Shipped oil	Initial oil charge
Suction connection height [mm]	265 mm
Suction connection mounting torque [Nm]	110 N-m
Suction connection pipe size [in]	1 1/8 in
Suction connection rotolock size [in]	1 3/4 in
Suction connection size [in]	1 3/4 in
Suction connection sleeve pipe size [in]	1 1/8 in
Swept volume [cm <sup>3</sup> ]	135.78 cm <sup>3</sup>
Technology	Reciprocating
Test dif [bar] [Max]	30 bar
Test HP [bar] [Max]	30 bar
Test LP [bar] [Max]	25 bar
Torque earth [Nm]	3 N-m
Torque power [Nm]	3 N-m
Total height [mm]	413 mm
Type	MT
Type designation	Compressor
Viscosity [cP]	32 cP
Winding resistance for three-phase compressors with identical windings [Ohm]	1.94 Ohm







Private Picture Copyright : WWW.MBSM.PRO

[Mbsm\\_dot\\_pro\\_private\\_PDF\\_MTZ80HP4-1Télécharger](#)

[Mbsm\\_dot\\_pro\\_private\\_PDF\\_MTZ80HP4Télécharger](#)

Compresseur à piston Danfoss Maneurop MT22JC5PVE (2.0HP / 1PH) Compresseur à piston Danfoss Maneurop MT22JC4AVE (2.0HP / 3PH) Compresseur à piston Danfoss Maneurop MT28JC5PVE (2.3HP / 1PH) Compresseur à piston Danfoss Maneurop MT22JC4AVE (2.0HP / 3PH) Compresseur à piston Danfoss Maneurop MT28JC5PVE (2.3HP / 1PH) Compresseur à piston Danfoss Maneurop 3PH (2.3HP / 1PH) 2.6HP / 1PH) Compresseur à piston Danfoss Maneurop MT32JF4DVE (2.6HP / 3PH); Compresseur à piston Danfoss Maneurop MT36JG5CVE (3.0HP / 1PH) Compresseur à piston Danfoss Maneurop MT36JG4FVE (3.0HP / 3PH) Compresseur à piston Danfoss Maneurop MT40JH4EVE (3.3HP / 3PH) Danfoss Maneurop Compresseur à piston MT36JG4FVE (3.0HP / 3PH) Compresseur à piston Danfoss Maneurop MT40JH4EVE (3.3HP / 3PH) Danfoss Maneurop Compresseur à piston MT36JG4FVE (3.0HP / 3PH) Compresseur à piston Danfoss Maneurop MT40JH4EVE (3.3HP / 3PH) Compresseur à piston Danfoss Maneurop 3KFHB4 (3.6HP / 3PH) 4.0HP / 3PH) Compresseur à piston Danfoss Maneurop MT56HL4BVE (4.6HP / 3PH) Compresseur à piston Danfoss Maneurop MT64HM4DVE (5.3HP / 3PH) Compresseur à piston Danfoss Maneurop MT72HN4AVE (6.0HP / 3PH) Compresseur à piston Danfoss Maneurop MT80HP4AVE (6.6HP / 3PH) Compresseur à piston Danfoss Maneurop MT72HN4AVE (6.0HP / 3PH) Compresseur à piston Danfoss Maneurop MT80HP4AVE (6.6HP / 3PH) Compresseur à piston Danfoss Maneurop 4.0 Compresseur à piston MT144HV4AVE (12,0HP / 3PH) Compresseur à piston Danfoss Maneurop MT160HW4EVE (13.3HP / 3PH) Compresseur à piston Danfoss Maneurop MTZ22JC5VE (2.0HP / 1PH); [R134A, R404] Compresseur à piston Danfoss Maneurop MTZ22JC4AVE

(2.0HP / 3PH); [R134A, R404] Compresseur à piston Danfoss Maneurop MTZ28JE5AVE  
(2,3 HP / 1PH); [R134A, R404] Compresseur à piston Danfoss Maneurop MTZ28JE4AVE  
(2,3 HP / 3PH); [R134A, R404] Compresseur à piston Danfoss Maneurop MTZ32JF5AVE  
(2,6 CV / 1PH); [R134A, R404] Compresseur à piston Danfoss Maneurop MTZ32JF4BVE  
(2.6HP / 3PH); [R134A, R404] Compresseur à piston Danfoss Maneurop MTZ36JG5AVE  
(3.0HP / 1PH); [R134A, R404] Compresseur à piston Danfoss Maneurop MTZ36JG4BVE  
(3.0HP / 3PH); [R134A, R404] Compresseur à piston Danfoss Maneurop MTZ40JH4AVE  
(3,3 CV / 3PH); [R134A, R404] Compresseur à piston Danfoss Maneurop MTZ50HK4CVE  
(4,0 CV / 3PH); [R134A, R404] Compresseur à piston Danfoss Maneurop MTZ56HL4BVE  
(4,6 CV / 3PH); [R134A, R404] Compresseur à piston Danfoss Maneurop MTZ64HM4CVE  
(5,3 HP / 3PH); [R134A, R404] Compresseur à piston Danfoss Maneurop MTZ72HN4AVE  
(6,0 CV / 3PH); [R134A, R404] Compresseur à piston Danfoss Maneurop MTZ80HP4AVE  
(6,6 CV / 3PH); [R134A, R404] Compresseur à piston Danfoss Maneurop MTZ100HS4VE  
(8,3 CV / 3 PH); [R134A, R404] Compresseur à piston Danfoss Maneurop MTZ125HU4VE  
(10.0HP / 3PH); [R134A, R404] Compresseur à piston Danfoss Maneurop MTZ144HV4AVE  
(12,0 HP / 3PH); [R134A, R404] Compresseur à piston Danfoss Maneurop  
MTZ160HE4AVE (13,3 HP / 3PH); [R134A, R404] Compresseur à piston Danfoss  
Maneurop NTZ048A4LR1A (2.0HP / 3PH); [R134A, R404, R507] Compresseur à piston  
Danfoss Maneurop NTZ068A4LR1A (3,5 CV / 3PH); [R134A, R404, R507] Compresseur à  
piston Danfoss Maneurop NTZ096A4LR1A (4,5 CV / 3PH); [R134A, R404, R507]  
Compresseur à piston Danfoss Maneurop NTZ108A4LR1A (5,0 CV / 3PH); [R134A, R404,  
R507] Compresseur à piston Danfoss Maneurop NTZ136A4LR1A (6,5 CV / 3PH); [R134A,  
R404, R507] Compresseur à piston Danfoss Maneurop NTZ215A4LR1A (10,0 HP /  
3PH); [R134A, R404, R507] Compresseur à piston Danfoss Maneurop NTZ271A4LR1A  
(13.0HP / 3PH); [R134A, R404, R507] COMPRESSEUR MANEUROP 2.0HP MT22 MANEUROPE  
2.0HP MT22 COMPRESSEUR MANEUROP COMPRESSEUR MTZ-22JE-4VE R404A MANEUROPE 2.30HP  
MT28JE-5PVE MT28-5VI / MT28-5VM COMPRESSEUR MANEUROP 2.30HP MT28JE-5PVE MT28-5VI  
/ MT28-5VM COMPRESSEUR MANEUROPEUR 2.30H5 / R404A) COMPRESSEUR MANEUROP 2.8HP  
MTZ32-5VM (R134a / R404A / R507) COMPRESSEUR MANEUROP MT32JF5MVE 2-3 / 4HP  
((R22) COMPRESSEUR MANEUROP 3.0HP MT36JG4FVE (MT36-4VI / MT36-4VM) (R22)  
COMPRESSEUR 3.0HP COMPRESSEUR MT36 MANEUROP 3.3HP MT40JH4EVE COMPRESSEUR  
MANEUROP 3.3HP MTZ40-JH4AVE COMPRESSEUR (R407A / C / F / R134A / R404A / R507)  
Compresseur MANEUROP MTZ-36-JG4AVE (R407C / R134a / R404A-R407C / R134a / R404A)  
-Compresseur JH4AVE (R134a / R404A) – Compresseur 3.3HP 3PH MANEUROP MTZ-44-  
HJ4AVE (R134a / R404A) – 3. 5HP 3PH MANEUROP 4HP MTZ-50HK-4CVE (MTZ50-4VI /  
MTZ50-4VM) COMPRESSEUR (R134A / R404A) MANEUROP MTZ56HL3BVE R407c, R134a, R507a,  
R404a compresseur MANEUROP MT-64-4VM COMPRESSEUR MANEUR 64-4VM COMPRESSEUR  
MANEUR COMPRESSEUR MT72-4VM COMPRESSEUR MANEUROP MT-80-4VM (6.5HP) Compresseur  
MANEUROP 6.6HP MT81HP4AVE COMPRESSEUR MANEUROP MTZ80HM4DVE COMPRESSEUR MANEUROP  
8.5HP MT100-4VM COMPRESSEUR MANEUROPE 10HP MT100-4VM (MT100HS4DVE) COMPRESSEUR  
10HP MT100-4VM (MT100HS4DVE) COMPRESSEUR MT12M10 MANHOP 4-COMPRESSEUR 10HP R22)  
COMPRESSEUR MANEUROP 10HP MTZ125HW4AVE (R404A / R134A / R507 / R407C)  
COMPRESSEUR MANEUROPE 12HP MT144-4VM COMPRESSEUR MANEUROPE 13.3HP MT160-4VM  
(MT160HW4DVE) COMPRESSEUR MANZVMER 10 COMPRESSEUR MANZVM4 (MT160HW4DVE) / 2 ' )  
SER. KIT POUR MT-28 MANEUROP 7703009 (1-1 / 8 '& 3/4') SER.

---

# Réfrigerator, Freezer, GR-B562YLC, 420L, 20 Feet, Compressor, 1/3HP, R134A, 135G , LG GR-B562YLC, Bio Shield, Vitamin Plus, Carbon deodorizer

Category: compressor, Freezer, Technologie

written by www.mbsm.pro | 13 December 2021

BRAND TYPE Rp (000) FEATURES

ELECTROLUX ERM-1500 Rp.1588 154lt, Semi Auto Defrost, Low Voltage

LG GC-051SA 1220 46 lt Portable refrigerator

LG GN-V191RL Rp.1551 190lt, Semi Auto Defrost, vertical handle

LG GN-V191RLK Rp.- 190lt, Semi Auto Defrost, XL freezer, Door Lock

LG GN-V191SL Rp.1561 190lt, Semi Auto Defrost, horizontal handle

LG GN-V191SLT Rp.1531 190lt, Semi Auto Defrost, Direct Cooling, Magic Crisper

LG GN-V231RL Rp.1721 230lt, Semi Auto Defrost, vertical handle

LG GN-V231SL Rp.1671 230lt, Semi Auto Defrost, horizontal handle

PANASONIC NR-A172D-ST Rp.1539 155 Lt, Alowa +, Colour: Stainless

PANASONIC NR-A172M Rp.1429 155 Lt, Alowa +, Colour: Orange, Night Blue & Savanna Green

PANASONIC NR-A172S Rp.1399 155 Lt, Alowa +, Colour: Moccachino, Black coffee hairline

PANASONIC NR-A192D-ST Rp.1639 164 Lt, Alowa +, Colour: Stainless

PANASONIC NR-A192M Rp.1499 164 Lt, Alowa +, Colour: Orange, Night Blue & Savanna Green

PANASONIC NR-A192S Rp.1499 164 Lt, Alowa +, Colour: Moccachino, Black coffee hairline

SAMSUNG RA-19PTMU Rp.- 190Lt, Direct cooling, Anti Bacterial Gasket

SAMSUNG RA-19PTPG Rp.- 190Lt, Direct cooling, Anti Bacterial Gasket

SAMSUNG RA-19PTTS Rp.- 190Lt, Door Alarm: 2 min, Anti bacterial gasket

SAMSUNG RA-21PTTS Rp.- 210Lt, Direct cooling, Anti Bacterial Gasket

SANYO SR-D167SB Rp.1290 Semi Auto Defrost, Direct Cooling System

SANYO SR-D182SB Rp.1430 160 lt, Semi auto defrost, 505x510x1160, colour: batik red

SANYO SR-D187SB Rp.1339 Semi Auto Defrost, Direct Cooling System

SANYO SR-D188SB Rp.1490 160 lt, Semi auto defrost, 505x510x1160

SANYO SR-D216SB Rp.1490 Semi auto defrost, 505 x 510 x 1310

SANYO SR-D50 Rp.- 50 lt, 22w, Super silent compressor

SANYO SR-D75 Rp.- 75 lt, 24w, Super silent compressor

SHARP SJ-S170T-RD Rp.1627 SAMURAI series, 160 lt, Anti Bacteria, Semi Auto Defrost

SHARP SJ-S190T-RD Rp.1697 SAMURAI series, 170 lt, Anti Bacteria, Semi Auto Defrost

SHARP SJ-S200T-RD Rp.1747 SAMURAI series, 170 lt, Anti Bacteria, Semi Auto Defrost

SHARP SJ-D17T-SL Rp.1919 Knight series, 150 Lt, Semi Auto Defrost

SHARP SJ-17MKII Rp.1437 170lt, Low voltage, Gripless Handle  
SHARP SJ-19MKII Rp.1527 170lt, Low voltage, Gripless Handle  
SHARP SJ-22SE Rp.- 180lt, Extra Big Freezer, Semi Auto Defrost  
SHARP SJ-G191T Rp.1627 170 Lt, Lemon Series Refrigerator, Low voltage  
SHARP SJ-G200T Rp.- Lemon Series Refrigerator, Honeycomb Deodorizer  
SHARP SJ-G220T Rp.- Lemon Series Refrigerator, Low voltage  
SHARP SJ-K170T Rp.- Lemon Series Refrigerator, Anti Bacteria, Key  
SHARP SJ-K190T Rp.- Lemon Series Refrigerator, Anti Bacteria, Key  
SHARP SJ-K230T Rp.- Lemon Series Refrigerator, Anti Bacteria, Key  
TOSHIBA GR-N9P Rp.1282 70 lt, Portable, Ultra Direct Cooling, Glacio XD7  
TOSHIBA GR-N155BC Rp.1281 120 lt, 22 w, Glacio XD7  
TOSHIBA GR-N175BC Rp.1422 150 lt, 25 w, Glacio XD7  
TOSHIBA GR-N178JZ-T Rp.1422 Glacio Jazz series, Silver ion anti bacteria,  
Colour:  
Titanium  
TOSHIBA GR-N178JZ-W Rp.1422 Glacio Jazz series, Silver ion anti bacteria,  
Colour:  
White  
TOSHIBA GR-N185BCH Rp.1422 160 lt, 27 w, Glacio XD7  
TOSHIBA GR-N188JZ-T Rp.1521 Glacio Jazz series, Silver ion anti bacteria,  
Colour:  
Titanium  
TOSHIBA GR-N188JZ-W Rp.1521 Glacio Jazz series, Silver ion anti bacteria,  
Colour:  
White  
TOSHIBA GR-N195C Rp.1477 165 lt, 27 w, Glacio XD7  
TOSHIBA GR-N198 Rp.- 165 Lt, Glacio XD7, Silver Ion Anti Bacteria, 27W  
TOSHIBA GR-N228 Rp.- 180 Lt, Glacio XD7, Silver Ion Anti Bacteria, 30W  
TOSHIBA GR-N198W Rp.- 165 Lt, Dispenser, Glacio XD7, Silver Ion Anti Bacteria,  
27W  
TOSHIBA GR-N228W Rp.- 180 Lt, Dispenser, Glacio XD7, Silver Ion Anti Bacteria,  
30W  
= FREEZER =  
BRAND TYPE Rp (000) FEATURES  
SANYO HF-S4LL Rp.1929 120 lt, 4 rak  
SANYO HF-S6L Rp.2229 180 lt, 6 rak  
TOSHIBA GF-K149 Rp.1881 4 rak, kunci  
TOSHIBA GF-K169 Rp.2021 5 rak, kunci  
TOSHIBA GF-K189 Rp.2181 6 rak, kunci  
= KULKAS 2 PINTU / 2 DOORS REFRIGERATOR =  
BRAND TYPE Rp (000) FEATURES  
ELECTROLUX ETB-1800PC Rp.2848 180 Lt, Jet Air Cooling System, Deodorizer, Door  
alarm  
ELECTROLUX ETB-2300PC Rp.3488 230 Lt, Multi Airflow System, Deo Fresh Active,  
Door  
alarm  
ELECTROLUX ETB-2600PC Rp.4388 260 Lt, Multi Airflow System, Deo Fresh Active,  
Door  
alarm  
ELECTROLUX ETB-3200PC Rp.4888 320 Lt, Multi Airflow System, Deo Fresh Active,

Door

alarm

ELECTROLUX ETE-4407SD Rp.8088 440 Lt, Jet Air Curtain System, UV Platinum deodorizer

ELECTROLUX ETM-4407PD Rp.7289 440 Lt, Jet Air Curtain System, Active Deo, Colour:

Silver

ELECTROLUX ETM-4407SD Rp.7729 440 Lt, Jet Air Curtain System, Active Deo, Colour:

Stainless

ELECTROLUX ETM-5107SD Rp.8689 520 Lt, Active Hybrid Deodorizer, Colour: Stainless

ELECTROLUX ETE-5107SD Rp.8999 522 Lt, UV Platinum Deo, LED display, Colour: Stainless

LG GN-V212RL Rp.2283 210 lt, Vit + Ion, Multi Airflow Cooling System

LG GN-V212RP Rp.2589 210 Lt, Health+ system, Vitamin+

LG GN-V212SL Rp.2179 210 lt, Multi Airflow Cooling System

LG GN-V212SLT Rp.2179 210 lt, Multi Airflow Cooling System

LG GN-V222RLT Rp.2489 220 lt, Vit + Ion, Multi Airflow Cooling System

LG GN-V222RP Rp.2839 220 Lt, Health+ system, Vitamin+

LG GN-V222SLT Rp.2289 220 lt, Vit + Ion, Multi Airflow Cooling System

LG GN-V262RLC Rp.2849 234 lt, Multi Airflow, Moist Balance Crisper

LG GN-V262RLCT Rp.2849 234 lt, Vitamin Plus, Moist Balance Crisper

LG GN-V282RLC Rp.2979 253 lt, , Multi Airflow, Moist Balance Crisper

LG GN-V282RLCT Rp.2989 253 lt, Vitamin Plus, Moist Balance Crisper

LG GN-B352CLC Rp.3849 291lt Nett capacity, Vitamin Plus, Ion Carbon Deodorizer

LG GN-M352CLN Rp.4349 288 lt Nett capacity, Bio Shield, Vitamin Plus, LED display

LG GN-B392CLC Rp.4139 321lt Nett capacity, Vitamin Plus, Ion Carbon Deodorizer

LG GN-M352CPC Rp.4241 288 lt Nett capacity, Door Cooling, Vit Plus, Green Ion Deo,

Flora finishing

LG GN-M352CPC-APG Rp.4229 288 lt Nett capacity, Door Cooling, Vit Plus, Green Ion Deo,

Flora finishing

LG GN-M392CPC Rp.4459 318 lt Nett capacity, Door Cooling, Vit Plus, Green Ion Deo,

Flora finishing

LG GN-M392CPC-APG Rp.4459 288 lt Nett capacity, Door Cooling, Vit Plus, Green Ion Deo,

Flora finishing

LG GN-B492CLC Rp.- 393 lt Nett capacity, Vitamin Plus, Ion Carbon Deodorizer

LG GN-B492GLC Rp.4689 490Lt, Fresh OZone, Bigger Fruits & Veggie Box

LG GN-M492CLN Rp.5369 388 lt Nett capacity, Bio Shield, Vitamin Plus, LED display

LG GN-M492CPC Rp.- 388 lt Nett capacity, Door Cooling, Vit Plus, Green Ion Deo, Flora finishing

LG GN-M492CPC-APG Rp.5239 388 lt Nett capacity, Door Cooling, Vit Plus, Green Ion Deo,

Flora finishing

LG GN-M492GLH Rp.5551 490Lt, Anti-Bacterial Health Guard, Ext Temperature Control

LG GN-M492GPC Rp.5459 490Lt, Green Ion Door Cooling, External Temperature Control

LG GN-B562GLC Rp.5159 560Lt, Fresh OZone, Bigger Fruits & Veggie Box

LG GN-M562GLH Rp.6081 560Lt, Anti-Bacterial Health Guard, Ext Temperature Control

LG GN-M562GPC Rp.5682 560Lt, Green Ion Door Cooling, External Temperature Control

LG GN-B602GLC Rp.5749 600Lt, Fresh OZone, Bigger Fruits & Veggie Box

LG GN-M602GPC Rp.6172 600Lt, Green Ion Door Cooling, External Temperature Control

LG GN-M602GLH Rp.6581 600Lt, Anti-Bacterial Health Guard, Ext Temperature Control

LG GN-B702GPC Rp.7229 700Lt, Green Ion Door Cooling, External Temperature Control

LG GN-M702GLH Rp.7881 700Lt, Anti-Bacterial Health Guard, Ext Temperature Control

LG GN-M702GPH Rp.8121 700Lt, Anti-Bacterial Health Guard, Ext Temperature Control

PANASONIC NR-B222M Rp.2399 210 Lt, Eco compressor (Energy saving up to 30%), Colour: Coral Blue, Savanna Green, Sapphire Violet

PANASONIC NR-B222R Rp.2399 210 Lt, Eco compressor (Energy saving up to 30%), Colour: Lily Starlight Silver, Lily Praline Brown

PANASONIC NR-B222S-H Rp.2399 210 Lt, Eco compressor (Energy saving up to 30%), Colour: Iris Black Hairline

PANASONIC NR-B262M Rp.2582 223 Lt, Eco compressor (Energy saving up to 30%), Colour: Coral Blue, Savanna Green, Sapphire Violet

PANASONIC NR-B262R Rp.2659 223 Lt, Eco compressor (Energy saving up to 30%), Colour: Lily Starlight Silver, Lily Praline Brown

PANASONIC NR-B262S-H Rp.2659 223 Lt, Eco compressor (Energy saving up to 30%), Colour: Iris Black Hairline

SAMSUNG RT-2A SRTS1 Rp.- 196LT, Humidity adjustable for optimal freshness and nutrients

SAMSUNG RT-2B SLTS Rp.- 280 Lt, Silver Nano deodorizer, Coolever zone

SAMSUNG RT-2B SRIS Rp.- 280 Lt, Cool Pack, Silver Plus deo, Colour: inox silver

SAMSUNG RT-41TSGL Rp.5441 336 Lt, Cool Pack, Silver Plus deo, Colour: glass door

SAMSUNG RT-45USGL Rp.5781 450 Lt, Cool Pack, Silver Plus deo, Colour: glass door

SANYO SR-D225NSB Rp.2339 Nano Ferrite Filter, Carbon deodorizer

SANYO SR-D245NSB Rp.2649 Nano Ferrite Filter, Carbon deodorizer

SHARP SJ-F201C-HD Rp.2382 2337 BATIQUÉ Series, 173 Lt, Automatic Defrosting

SHARP SJ-F231C-HD Rp.2633 2547 BATIQUÉ Series, 180 Lt, Automatic Defrosting

SHARP SJ-F201S-RD Rp.2578 2387 SAMURAI series, 170 lt, Anti bacteria

SHARP SJ-F231S-RD Rp.2615 2582 SAMURAI series, 180 lt, Anti bacteria

SHARP SJ-F201G Rp.- Fresh Lemon Series Refrigerator, Low Voltage

SHARP SJ-F231G – Fresh Lemon Series Refrigerator, Low Voltage

SHARP SJ-F232G – 180 lt, Fresh Lemon Series, Low Voltage

SHARP SJ-F233G – 180 lt, Fresh Lemon Series, Low Voltage

SHARP SJ-F232K Rp.- 180 lt, Fresh Lemon Series, Low Voltage, Door key

SHARP SJ-F240G Rp.- 221 lt, Fresh Lemon Series, Low Voltage

SHARP SJ-D22LV-SL Rp.- 195 lt, Lemon Series Refrigerator, Low Voltage  
SHARP SJ-D27LV-SL Rp.- 210 lt, Lemon Series Refrigerator, Low Voltage  
SHARP SJ-D30LV-SL Rp.- 235 lt, Lemon Series Refrigerator, Low Voltage  
SHARP SJ-291NLV-SL Rp.- 260 lt, Lemon Series Refrigerator, Low Voltage  
SHARP SJ-351NLV-SL Rp.- 300 lt, Lemon Series Refrigerator, Low Voltage  
SHARP SJ-F420G-SS Rp.3727 310 lt, King Samurai Series, No Frost, Deodorizer  
SHARP SJ-F420G-PS Rp.3927 310 lt, King Samurai Series, No Frost, Deodorizer  
SHARP SJ-431NLV-SL Rp.- 320 lt, Lemon Series Refrigerator, Low Voltage  
SHARP SJ-P470NLV-SL Rp.5757 367 lt, Vetro Series, Plasmacluster Ion, Colour: Silver  
SHARP SJ-P470NLV-B Rp.5887 367 lt, Vetro Series, Plasmacluster Ion, Colour: Black  
SHARP SJ-P471NLV-GS Rp.6482 367 lt, Vetro Series, Plasmacluster Ion, Colour: Glass Silver  
SHARP SJ-P471NLV-GB Rp.6682 367 lt, Vetro Series, Plasmacluster Ion, Colour: Glass Black  
SHARP SJ-P570NLV-SL Rp.- 397 lt, Vetro Series, Plasmacluster Ion, Colour: Silver  
SHARP SJ-P570NLV-B Rp.- 397 lt, Vetro Series, Plasmacluster Ion, Colour: Black  
SHARP SJ-P571NLV-GS Rp.- 397 lt, Vetro Series, Plasmacluster Ion, Colour: Glass Silver  
SHARP SJ-P571NLV-GB Rp.- 397 lt, Vetro Series, Plasmacluster Ion, Colour: Glass Black  
SHARP SJ-461NLV Rp.- 367 lt, SALSA Series Refrigerator, Hybrid Cooling System  
SHARP SJ-P461NLV Rp.- 443 lt, SALSA Series Refrigerator, Plasmacluster Ion System  
SHARP SJ-561NLV Rp.- 397 lt, SALSA Series Refrigerator, Hybrid Cooling System  
SHARP SJ-P561NLV Rp.- 478 lt, SALSA Series Refrigerator, Plasmacluster Ion System  
SHARP SJ-P581NLV Rp.- 437 lt, SALSA Series Refrigerator, Hybrid Cooling System, Plasmacluster, Advance LEC Control, Nano Deodorizer  
SHARP SJ-P651NLV Rp.- 473 lt, SALSA Series Refrigerator, Hybrid Cooling System, Plasmacluster, Advance LEC Control, Nano Deodorizer  
SHARP SJ-P751NLV Rp.- 514 lt, SALSA Series Refrigerator, Hybrid Cooling System, Plasmacluster, Advance LEC Control, Nano Deodorizer  
SHARP SJ-P851NLV Rp.- 555 lt, SALSA Series Refrigerator, Hybrid Cooling System, Plasmacluster, Advance LEC Control, Nano Deodorizer  
SHARP SJ-WS400T Rp.9347 326 Lt, Dual Swing Door, Energy Saving with Inverter  
TOSHIBA GR-M245E Rp.2141 180 lt, No Frost, Glacio XD7  
TOSHIBA GR-M245D Rp.2391 180 lt, No Frost, Deodorizer, Glacio XD7  
TOSHIBA GR-M265D Rp.2731 216 lt, No Frost, Deodorizer, Glacio XD7  
TOSHIBA GR-M258 Rp.2291 216 lt Glacio Jazz, No Frost, Low Voltage  
TOSHIBA GR-R21ET Rp.- Import, 180 lt, Health series, Platinum Deodorizer  
TOSHIBA GR-R25ET Rp.3491 Import, 228 lt, Health series, Platinum Deodorizer  
TOSHIBA GR-R35ED Rp.4551 Import, 280 lt, Hybrid Plasma Deo, AG+ Crisper  
TOSHIBA GR-R42ED Rp.4921 Import, 320 lt, Hybrid Plasma Deo, AG+ Crisper  
TOSHIBA GR-R48ED Rp.- Import, 401 lt, Hybrid Plasma Deo  
TOSHIBA GR-R51ED Rp.5621 Import, 401 lt, Hybrid Plasma Deo, AG+ Crisper  
TOSHIBA GR-R58ED Rp.7381 6661 Import/Complete Built-up, 500 lt, Hybrid Plasma Deo  
TOSHIBA GR-R66ED Rp.8725 8261 Import/Complete Built-up, 590 lt, Hybrid Plasma

Deo

TOSHIBA GR-RG43ED Rp.- Import, 355 lt, Hybrid Plasma Deo, Glass door

TOSHIBA GR-RG46ED Rp.5621 Import, 410 lt, Hybrid Plasma Deo, AG+ Crisper, Glass door

TOSHIBA GR-RG48ED Rp.- Import, 410 lt, Hybrid Plasma Deo, Glass door

TOSHIBA GR-RG51ED Rp.- Import, 500 lt, Hybrid Plasma Deo, AG+ Crisper, Glass door

TOSHIBA GR-RG58ED Rp.7851 Import, 500 lt, Hybrid Plasma Deo, Glass door

TOSHIBA GR-RG66ED Rp.8961 Import, 590 lt, Hybrid Plasma Deo, Glass door

= KULKAS 3 PINTU / 3 DOORS REFRIGERATOR =

BRAND TYPE Rp (000) FEATURES

ELECTROLUX ETB-2603PC Rp.4889 Deo Fresh Active, Multi Airflow System

TOSHIBA GR-R50EDV Rp.6129 Import/Complete Built-up, 3 doors

SIDE-BY-SIDE REFRIGERATOR

ELECTROLUX ESE-5608TA Rp.13828 555 lt, Crisper with Adjustable Humidity Control

LG GC-B207BLQ Rp.9222 581 lt, Icebeam Door Cooling System, LED Display

LG GC-B207CLC Rp.8151 581 lt, Bio Shield, Moist Balance™ Crisper, Digital Sensor

LG GC-B207CPC Rp.8289 8222 581 lt, Green Health Plus, Moist Balance™ Crisper

LG GC-L207BLK Rp.12889 LED Lighting, Tall ice & water dispenser

LG GR-B207BLQ Rp.8879 581 lt, LED Temperature Control, Bio Shield, Super Cool

LG GR-B217LGJ Rp.15382 581 lt, LED Temperature Control, Bio Shield Flower Pattern

LG GR-L207BLK Rp.- 567 lt, Icebeam Door Cooling System, Water & Ice Dispenser

MODENA RF-2561 Rp.8333 618Lt, Humidity controller crisper, Multi air flow

MODENA RF-2565 Rp.14343 608Lt, LED Temperature control, Ice & water dispenser

MODENA RF-4862 Rp.16663 610Lt, 4 Doors, Fast Freeze, Active Vita Crisper

= SHOWCASE COOLER =

BRAND TYPE Rp (000) FEATURES

DOMO DS 1200 Rp.2453 200 Lt showcase display cooler, 0 °C-10 °C

DOMO DS 1250 Rp.2757 2543 250 Lt showcase display cooler, 0 °C-10 °C

DOMO DS 1300 Rp.2853 300 Lt showcase display cooler, 0 °C-10 °C

DOMO DS 1400 Rp.3354 400 Lt showcase display cooler, 0 °C-10 °C

GEA EXPO 50 Rp.1491 50 Lt, 2°C – 8°C, fan cooling system, 1shelf

GEA EXPO 90 Rp.1991 90 Lt, 2°C – 8°C, fan cooling system, 4 shelves

GEA EXPO 136 Rp.2221 136 Lt, 2°C – 8°C, fan cooling system, 3 shelves

GEA EXPO 218HS Rp.2951 210 Lt, 2°C – 8°C, fan cooling system, 4 shelves

GEA EXPO 268HS Rp.3076 260 Lt, 2°C – 8°C, fan cooling system, 5 shelves

GEA EXPO 280P Rp.3471 280 Lt, 2°C – 8°C, No Frost Premium series, 4 shelves

GEA EXPO 368HS Rp.3481 360 Lt, 2°C – 8°C, fan cooling system, 5 shelves

GEA EXPO 450P Rp.5476 400 Lt, 2°C – 8°C, No Frost Premium series, 5 shelves

GEA EXPO 480 Rp.6332 6221 480 Lt, 2°C – 8°C, No Frost Premium, 6 shelves

GEA EXPO 200 Rp.- 200 Lt, 2°C – 8°C, fan cooling system, 3 shelves

GEA EXPO 250 Rp.- 250 Lt, 2°C – 8°C, fan cooling system, 5 shelves

GEA EXPO 350 Rp.- 350 Lt, 2°C – 8°C, fan cooling system, 5 shelves

GEA EXPO 420DD Rp.- 420 Lt, 2°C – 8°C, fan cooling system, 5 shelves

MODENA SC-1130 Rp.2048 130 Lt showcase display cooler, 0 °C-10 °C

MODENA SC-1150 Rp.2281 150 Lt showcase display cooler, 0 °C-10 °C

MODENA SC-1180 Rp.2423 180 Lt showcase display cooler, 0 °C-10 °C

MODENA SC-1200 Rp.- 200 Lt showcase display cooler, 0 °C-10 °C

MODENA SC-1260 Rp.3740- 2953 260 Lt showcase display cooler, 0 °C-10 °C

MODENA VM-1320 Rp.- 320 Lt showcase display cooler, 0 °C-10 °C  
 MODENA VM-1350 Rp.3583 350 Lt showcase display cooler, 0 °C-10 °C  
 MODENA VM-1380 Rp.- 380 Lt showcase display cooler, 0 °C-10 °C  
 MODENA VM-1410 4982 4084 410 Lt showcase display cooler, 0 °C-10 °C  
 POLYTRON SCP-122LE Rp.2328 Big capacity, Non CFC, Low energy consumption  
 POLYTRON SCP-123 Rp.2448 Big capacity, Non CFC, Low energy consumption, Bottle opener  
 POLYTRON SCP-150 Rp.2528 180 Lt, Non CFC, Low energy consumption, 540x660x1525mm  
 POLYTRON SCP-151 Rp.2559 Big capacity, Non CFC, Low energy consumption, Bottle opener  
 POLYTRON SCP-156T Rp.2480 170Lt, IPM LED Timer, 3 Shelves  
 POLYTRON SCP-157T Rp.2580 170Lt, IPM LED Timer, 3 Shelves, Bottle opener, Door handle  
 POLYTRON SCP-161 Rp.2728 180 Lt, 3 Shelves, Bottle opener, No Frost  
 POLYTRON SCP-1170 Rp.2687 230 Lt, Non CFC, Low energy consumption, 540x660x1785mm  
 POLYTRON SCP-1171 Rp.2788 Big capacity, Non CFC, Low energy consumption, Bottle opener  
 POLYTRON SCP-1181 Rp.2968 230 Lt, 4 Shelves, Bottle opener, No Frost  
 SANSIO SAN-238SC Rp.3543 4 Shelves, 55 x 54 x 177 cm  
 SANSIO SAN-288SC Rp.3853 4 Shelves, 58 x 61 x 182 cm  
 SANSIO SAN-368SC Rp.4283 4 Shelves, 58 x 61 x 198 cm  
 SANSIO SAN-278SC Rp.4543 4 Shelves Premium series display showcase cooler  
 SANSIO SAN-378SC Rp.4993 5 Shelves Premium series display showcase cooler  
 SANSIO SAN-248 Rp.- 248 Lt, 4 Shelves, Premium series display showcase cooler  
 SANSIO SAN-338 Rp.- 338 Lt, 5 Shelves, Premium series display showcase cooler  
 SANSIO SAN-428SC Rp.5733 408 Lt, 5 Shelves, Premium series display showcase cooler  
 SANSIO SAN-888 Rp.8943 888 Lt, 2 Doors, 10 Shelves, 0° to +10°C  
 SANSIO SAN-1188 Rp.9953 1188 Lt, 2 Doors, 10 Shelves, 0° to +10°C  
 SANSIO SAN-1488 Rp.1488 Lt, 2 Doors, 10 Shelves, 0° to +10°C  
 Back to top  
 = CHEST FREEZER =  
 BRAND TYPE Rp (000) FEATURES  
 DOMO DF 1100 Rp.1644 100 Lt chest freezer, - 18°C  
 DOMO DF 1155 Rp.1829 155 Lt chest freezer, - 18°C  
 DOMO DF 1205 Rp.2044 205 Lt chest freezer, - 25°C  
 DOMO DF 1300 Rp.2734 300 Lt chest freezer, - 25°C  
 GEA AB-108 Rp.1972 105 Lt, - 28°C, Lock  
 GEA AB-201TX Rp.2629 194 Lt, - 28°C, Lock  
 GEA AB-201TC Rp.3081 194 Lt, - 28°C, Lock, suhu bisa dirubah ke chiller +2° s/d +8°C  
 GEA AB-271 Rp.3151 295 Lt, - 28°C, Lock  
 GEA AB-396T Rp.4121 386 Lt, - 28°C, Lock  
 GEA AB-506T Rp.4831 492 Lt, - 28°C, Lock  
 GEA AB-600T Rp.5341 607 Lt, - 28°C, Lock  
 GEA AB-600TC Rp.6521 607 Lt, - 28°C, Lock  
 GEA AB-750T Rp.5961 750 Lt, - 28°C, Lock  
 MODENA MD-10 Rp.2188 100 Lt chest freezer, - 25°C  
 MODENA MD-15 Rp.2383 155 Lt chest freezer, - 25°C

MODENA MD-20A Rp.2695 205 Lt chest freezer, - 25°C  
MODENA MD-30 Rp.3883 300 Lt chest freezer, - 25°C  
MODENA MD-45 Rp.5033 450 Lt chest freezer, - 25°C  
MODENA MD-60 Rp.5433 600 Lt chest freezer, - 25°C  
MODENA MD-75 Rp.6783 750 Lt chest freezer, - 25°C  
MODENA MD-95 Rp.8983 950 Lt chest freezer, - 25°C  
SANSIO SAN-148F Rp.2033 142 Lt, Temperatur range: -25° to -32°C  
SANSIO SAN-218F Rp.2543 215 Lt, Temperatur range: -25° to -32°C  
SANSIO SAN-318F Rp.3343 318 Lt, Temperatur range: -25° to -32°C  
SANSIO SAN-418F Rp.4543 418 Lt, Temperatur range: -25° to -32°C  
SANSIO SAN-518F Rp.5653 518 Lt, Temperatur range: -25° to -32°C  
SANSIO SAN-618F Rp.5399 618 Lt, Temperatur range: -25° to -32°C  
SANSIO SAN-818F Rp.7273 818 Lt, Temperatur range: -25° to -32°C  
SANSIO SAN-1288F Rp.- 1188 Lt, Temperatur range: -25° to -32°C  
SANYO SF-C11KW Rp.1939 108 Lt, Key lock, Non CFC  
SANYO SF-C15KW Rp.2039 150 Lt, Key lock, Non CFC  
SANYO SF-C18KW Rp.2139 178 Lt, Key lock, Non CFC  
SANYO SF-C21KW Rp.2439 208 Lt, Key lock, Non CFC  
SANYO SF-C24KW Rp.2669 245 Lt, Key lock, Non CFC  
SANYO SF-C30KW Rp.3249 298 Lt, Key lock, Non CFC

Back to top

= SLIDING GLASS FREEZER =

BRAND TYPE Rp (000) FEATURES

GEA SD-100 Rp.1871 Sliding flat glass,100 Lt, -18 to - 25°C  
GEA SD-132P Rp.2191 Sliding flat glass,132 Lt, -18 to - 25°C  
GEA SD-186 Rp.2371 Sliding flat glass,186 Lt, -18 to - 25°C  
GEA SD-260BY Rp.3891 Sliding curve glass, 260 Lt, -15 to - 20°C  
GEA SLD-200 Rp.3172 Sliding curve glass, 200 Lt, -18 to - 25°C  
GEA SLD-258 Rp.- Sliding curve glass, 258 Lt, -18 to - 25°C  
GEA SLD-308 Rp.4122 Sliding curve glass, 308 Lt, -18 to - 25°C  
GEA SLD-388 Rp.4922 Sliding curve glass, 388 Lt, -18 to - 25°C  
MODENA MC-23 Rp.4012 Sliding curve glass, 230 Lt freezer, - 25°C  
MODENA MC-30 Rp.4627 Sliding curve glass, 300 Lt freezer, - 25°C  
SANSIO SAN-268SF Rp.3683 Sliding curve glass, 268 Lt, -18° to -25°C  
SANSIO SAN-308SF Rp.4383 Sliding curve glass, 308 Lt, -18° to -25°C  
LG GN-V262RVC 260 lt, Vit + Ion, Multi Airflow Cooling System  
LG GN-V282RLC 290 lt, , Multi Airflow, Moist Balance Crisper –  
LG GN-V282RLCT 253 lt, Vitamin Plus, Moist Balance Crisper  
LG GN-V282RVC 290 lt, Vit + Ion, Multi Airflow Cooling System –  
LG GN-V282RNB 290 lt, Vit + Ion, Multi Airflow Cooling System –  
LG GN-B352CLC 291lt Nett capacity, Vitamin Plus, Ion Carbon Deodoriser  
LG GN-B352YVC 350 lt, Bio Shield, Green Ion Door Cooling, Vitamin Plus  
LG GN-B392CLC 321lt Nett capacity, Vitamin Plus, Ion Carbon Deodoriser  
LG GN-B392YLC 380 lt, Bio Shield, Vitamin Plus, Green Ion deodorizer  
LG GN-B492CLC 393 lt Nett capacity, Vitamin Plus, Ion Carbon Deodoriser  
LG GN-M352CLN 288 lt Nett capacity, Bio Shield, Vitamin Plus, LED display  
LG GN-M352CPC 288 lt Nett capacity, Door Cooling, Vit Plus, Green Ion Deo, Flora finishing  
LG GN-M352YPC 315 lt, Bio Shield, Vitamin Plus, Green Ion deodorizer –  
LG GN-M392CPC 318 lt Nett capacity, Door Cooling, Vit Plus, Green Ion Deo, Flora

finishing

LG GN-M392YLQ 346 lt, Bio Shield, Vitamin Plus, Green Ion door cooling –

LG GN-M392YPC 346 lt, Bio Shield, Vitamin Plus, Green Ion deodorizer –

LG GN-M492CLN 388 lt Nett capacity, Bio Shield, Vitamin Plus, LED display

LG GN-M492CPC 388 lt Nett capacity, Door Cooling, Vit Plus, Green Ion Deo, Flora

finishing

LG GN-M492YPC 422 lt, Bio Shield, Vitamin Plus, Green Ion deodorizer –

LG GR-B352CLC 350 lt, Bio Shield, Vitamin Plus, Z-Deodoriser

LG GR-B392YLC 339 lt, Green Ion Door Cooling, Vitamin Plus, Deo –

LG GR-B492CLC 470 lt, Bio Shield, Vitamin Plus, Z-Deodoriser

LG GR-B492YLC 393 lt, Bio Shield, Vitamin Plus, Z-Deodorizer –

LG GR-B562YLC 428 lt, Bio Shield, Vitamin Plus, Carbon deodorizer

LG GR-B602YLC 660 lt, Bio Shield, Vitamin Plus, Carbon deodorizer

LG GR-M562YSQ 423 Lt netto, Wide LED Temperature Control, Vitamin Plus, Green ion Deodorizer

LG GR-M602YSQ 463 Lt netto, Wide LED Temperature Control, Vitamin Plus, Green ion Deodorizer

LG GR-M652YSQ 566 Lt, Wide LED Temperature Control, Vitamin Plus, Green ion Deodorizer

LG GR-M712YLA 710 Lt, Wide LED Temperature Control, Vitamin Plus, Green ion Deodorizer, Door Alarm –

LG GR-M712YSQ 640 Lt, Wide LED Temperature Control, Vitamin Plus, Green ion Deodorizer

PANASONIC NR-B21KX 200 lt, 99w, Organix Antibacteria Cassette,

PANASONIC NR-B23CF-S 195 lt, 99w, DEON (Honey Comb Deodorizer & Ion)

PANASONIC NR-B25BF-S 229 lt, 110w, DEON (Honey Comb Deodorizer & Ion)

PANASONIC NR-B25GF-S 229 lt, 110w, DEON (Honey Comb Deodorizer & Ion)

PANASONIC NR-B203G 204 lt, MagicTop, N- Bio Deodorizer

PANASONIC NR-B243G 234 lt, MagicTop, N-Bio Deodorizer

PANASONIC NR-B283G 279 lt, MagicTop, N-Bio Deodorizer

PANASONIC NR-B363M 355 lt, Multi Hygienic System , MagicTop

PANASONIC NR-B403V Import/Complete Built-up, 395lt, MagicTop, Inverter

PANASONIC NR-B591 Import/Complete Built-up, 506 lt, MagicTop –

PANASONIC NR-BW414VSWA 418 lt, Inverter – saving 40% energy, MagicTop

PANASONIC NR-BW464VSWA 463 lt, Inverter – saving 40% energy, MagicTop

PANASONIC NR-BY551XSWA 495 lt, Inverter – saving 40% energy, MagicTop

PANASONIC NR-BW601XSWA 546 lt, Inverter – saving 40% energy, MagicTop

SAMSUNG RT-2A SDIS 230 Lt, Cool Pack, Silver Nano deodorizer

SAMSUNG RT-2A SATS 230 Lt, Cool Pack, Silver plus deodorizer

SAMSUNG RT-2A SDSS 230 Lt, Cool Pack, Silver Nano deodorizer

SAMSUNG RT-2A SDTS 230 Lt, Cool Pack, Silver plus deodorizer

SAMSUNG RT-2B SATS 280 Lt, Cool Pack, Silver Plus deodorizer, Coolever zone

SAMSUNG RT-2B SDTS 280 Lt, Cool Pack, Silver Nano deodorizer, Coolever zone

SAMSUNG RT-30SCTS 300 Lt, Big Plus, Cool Pack, Silver Plus deodorizer

SAMSUNG RT-30SSIS 300 Lt, Evergreen Zone, Cool Pack, Silver Plus deodorizer

SAMSUNG RT-30SSPN 300 Lt, Evergreen Zone, UV Chilled Room, Silver Plus deo

SAMSUNG RT-37SCTS 370 Lt, Big Plus, Cool Pack, Silver Plus deodorizer

SAMSUNG RT-37SSPN 370 Lt, Evergreen Zone, UV Chilled Room, Silver Plus deo

SAMSUNG RT-41MAIS 410 Lt, i-Cool, Coolever Zone, Silver Nano deodorizer

SAMSUNG RT-45MAIS 450 Lt, i-Cool, Coolever Zone, Silver Nano deodorizer

SANYO SR-D225N 179 lt, Nano Ferrite Filter, Carbon deodorizer  
SANYO SR-D245N 216 lt, Nano Ferrite Filter, Carbon deodorizer  
SHARP SJ-F201S-RD SAMURAI series, 170 lt, Anti bacteria  
SHARP SJ-F231S-RD SAMURAI series, 180 lt, Anti bacteria  
SHARP SJ-F200G Fresh Lemon Series Refrigerator, Low Voltage –  
SHARP SJ-F200M Fresh Lemon Series Refrigerator, Low Voltage –  
SHARP SJ-F201G Fresh Lemon Series Refrigerator, Low Voltage –  
SHARP SJ-F201M Fresh Lemon Series Refrigerator, Low Voltage –  
SHARP SJ-F231G Fresh Lemon Series Refrigerator, Low Voltage –  
SHARP SJ-F231M Fresh Lemon Series Refrigerator, Low Voltage –  
SHARP SJ-D22LV-SL 195 lt, Lemon Series Refrigerator, Low Voltage  
SHARP SJ-D27LV-SL 210 lt, Lemon Series Refrigerator, Low Voltage  
SHARP SJ-D30LV-SL 235 lt, Lemon Series Refrigerator, Low Voltage  
SHARP SJ-291NLV-SL 260 lt, Lemon Series Refrigerator, Low Voltage –  
SHARP SJ-351NLV-SL 300 lt, Lemon Series Refrigerator, Low Voltage  
SHARP SJ-431NLV-SL 320 lt, Lemon Series Refrigerator, Low Voltage  
SHARP SJ-460NLV 367 lt, SALSA Series Refrigerator, Nano Deodorizer –  
SHARP SJ-461NLV 367 lt, SALSA Series Refrigerator, Hybrid Cooling System  
SHARP SJ-P450NLV 370 lt, Plasmacluster Ion System  
SHARP SJ-P461NLV 443 lt, SALSA Series Refrigerator, Plasmacluster Ion System  
SHARP SJ-560NLV 367 lt, SALSA Series Refrigerator, Nano Deodorizer –  
SHARP SJ-561NLV 397 lt, SALSA Series Refrigerator, Hybrid Cooling System  
SHARP SJ-P510NLV 409 lt, Plasmacluster Ion System  
SHARP SJ-P561NLV 478 lt, SALSA Series Refrigerator, Plasmacluster Ion System  
SHARP SJ-580NLV 437 lt, SALSA Series Refrigerator, Hybrid Cooling System –  
SHARP SJ-P580NLV 375 lt, Lemon Series no frost with plasma cluster  
SHARP SJ-P581NLV 437 lt, SALSA Series Refrigerator, Hybrid Cooling System,  
Plasmacluster, Advance LEC Control, Nano Deodorizer  
SHARP SJ-650NLV 473 lt, SALSA Series Refrigerator, Hybrid Cooling System –  
SHARP SJ-P651NLV 473 lt, SALSA Series Refrigerator, Hybrid Cooling System,  
Plasmacluster, Advance LEC Control, Nano Deodorizer  
SHARP SJ-750NLV 514 lt, SALSA Series Refrigerator, Hybrid Cooling System –  
SHARP SJ-P750NLV 514 lt, SALSA Series Plasmacluster Refrigerator –  
SHARP SJ-P751NLV 514 lt, SALSA Series Refrigerator, Hybrid Cooling System,  
Plasmacluster, Advance LEC Control, Nano Deodorizer  
SHARP SJ-P812NLV 524 lt, Plasmacluster Ion System –  
SHARP SJ-850NLV 555 lt, SALSA Series Refrigerator, Hybrid Cooling System –  
SHARP SJ-P851NLV 555 lt, SALSA Series Refrigerator, Hybrid Cooling System,  
Plasmacluster, Advance LEC Control, Nano Deodorizer  
TOSHIBA GR-K242 180 lt, 75W  
TOSHIBA GR-K242PD 180 lt, 75W, Platinum Deodorizer  
TOSHIBA GR-K262 216 lt, 90W  
TOSHIBA GR-K262PD 216 lt, 90W, Platinum Deodorizer  
TOSHIBA GR-M245E 180 lt, No Frost  
TOSHIBA GR-M245D 180 lt, No Frost, Deodorizer  
TOSHIBA GR-M265D 216 lt, No Frost, Deodorizer  
TOSHIBA GR-R21ET Import, 180 lt, Health series, Platinum Deodorizer  
TOSHIBA GR-R25ET Import, 228 lt, Health series, Platinum Deodorizer  
TOSHIBA GR-R34ED Import/Complete Built-up, 280 lt, Hybrid Plasma Deo  
TOSHIBA GR-R39ED Import/Complete Built-up, 320 lt, Hybrid Plasma Deo

TOSHIBA GR-RG43ED Import, 355 lt, Hybrid Plasma Deo, Glass door  
TOSHIBA GR-R48ED Import, 401 lt, Hybrid Plasma Deo  
TOSHIBA GR-RG48ED Import, 410 lt, Hybrid Plasma Deo, Glass door  
TOSHIBA GR-R58ED Import/Complete Built-up, 500 lt, Hybrid Plasma Deo  
TOSHIBA GR-R66ED Import/Complete Built-up, 590 lt, Hybrid Plasma Deo  
TOSHIBA GR-RG58ED Import, 500 lt, Hybrid Plasma Deo, Glass door  
TOSHIBA GR-RG66ED Import, 590 lt, Hybrid Plasma Deo, Glass door  
KULKAS 3 PINTU / 3 DOORS REFRIGERATOR  
ELECTROLUX ETB-2603PC Deo Fresh Active, Multi Airflow System  
TOSHIBA GR-R47EDV Import/Complete Built-up, 3 doors, 470 lt  
SIDE-BY-SIDE REFRIGERATOR  
ELECTROLUX ERE-6100SX 580 lt, Fully Electronic Control with LCD Display, Wine rack  
LG GR-A207WPJ 581 lt, Green LED, In-Door Ice Maker  
LG GR-B207FLC 581 lt, Bio Shield, Moist Balance™ Crisper  
LG GR-B207WLQ 581 lt, LED Temperature Control, Bio Shield  
LG GR-B217LGJ 581 lt, LED Temperature Control, Bio Shield Flower Pattern  
LG GR-L207WLK 567 lt, Tall Ice & Water Dispenser  
LG GR-R207WTC 584 lt, Electric Control with 6 Sensor



Private Picture Copyright : [WWW.MBSM.PRO](http://WWW.MBSM.PRO)

Mbsm\_dot\_pro\_private\_PDF\_lg-gr-b562ylc-owner-s-manualTélécharger



**REFRIGERATOR-FREEZER**  
**MODEL No.: GR-B562YLC**

CLIMATE CLASS	T
RATING	220V ~ 50/60Hz
RATED CURRENT	0.6A
DEFROSTING INPUT	230W
RATED INPUT OF HEATER CORD	165W
RATED INPUT MAXIMUM OF LAMP	
FREEZER COMPARTMENT	20W
FRESH FOOD COMPARTMENT	30W
INSULATION BLOWING AGENT	Cyclopentane
NET WEIGHT	85kg
REFRIGERANT	R134a 135g
DIMENSIONS	755(W)x707(D)x1777(H)mm
SERIAL No.:	Refer to bar code label.

MADE IN INDONESIA

MEZ40001987

Private Picture Copyright : WWW.MBSM.PRO

Application Deep Freezer	MA88LAEP
Fridge Compressor – Capacity	410 – 450 liters
Displacement	8.8
Cooling Capacity	235 (kcal/h), 273W, 933 (Btu/h), 0.367HP
Input Power	227W
COP W/W	1.2
EER Btu/Wh	4.11
Motor type	CSIR-Relay
Starting Device (PTC)	QL2-5-55
Motor Protector (OLP)	4TM314TFB
(Capacitor) Starting/Surge Voltage	50 / 275
(OIL) Viscosity cst/ Qty(cc)	22/220
Cooling type	FC
Compressor Height	177mm

Net Weight

9.3 kg.

---

Compressor, 103U2954, Danfoss, fr10B,  
103u, 2954, 1/3 HP, lbp, r12, FR10B  
COMPRESSOR 220V, 103U2954FR10B, FR11B  
Compressor R-12 3/8 HP 230V, fr21b  
Compressor R134a 3/4 HP++/ 1 hp-,  
230V, hbp++

Category: compressor

written by [www.mbsm.pro](http://www.mbsm.pro) | 13 December 2021



Compressor, 103U2954, Danfoss, fr10B, 103u, 2954, 1/4 HP, lbp, r12, FR10B  
COMPRESSOR 220V, 103U2954FR10B

---

**LG, Refrigerator, Compressor,  
FC75LBNA, TCA35271202, Inverter,  
AR125VC, R134A, 1/3hp, 0-220V 53HZ**

Category: compressor

written by [www.mbsm.pro](http://www.mbsm.pro) | 13 December 2021



LG, Refrigerator, Compressor, FC75LBNA, TCA35271202, Inverter, AR125VC, R134A, 1/3hp, 0-220V 53HZ

---

Kulthorn, Kirby, Compressor, AE2425ZK, ae 2425zk-sr, R404, 1/2HP, Hermetic piston compressor, AE2425ZK-SR, Application: low temperature, Displacement: 14.14 cm<sup>3</sup>, Cooling capacity: 613 W, 220 V / 50 Hz / 1 phase.

Category: compressor

written by [www.mbsm.pro](http://www.mbsm.pro) | 13 December 2021

16L3

 **KULTHORN**  
AE 2425ZK-SR 03D  
220 - 240 V ~ 50Hz R404A/R507  
RLA 2.71 LRA 16.3 CE

    
KULTHORN KIRBY RoHS TIS.812-2548  
MADE IN THAILAND 03D17L13023143

Private Picture Copyright : [WWW.MBSM.PRO](http://WWW.MBSM.PRO)

Kulthorn, Kirby, Compressor, AE2425ZK, ae 2425zk-sr, R404, 1/2HP, Hermetic piston compressor, AE2425ZK-SR, Application: low temperature, Displacement: 14.14 cm<sup>3</sup>, Cooling capacity: 613 W, 220 V / 50 Hz / 1 phase.

---

Best quality Chinese Brand, 3/8HP, R134A compressor, refrigerator, QD128H, 260W, RSIR, copper wire compressor, LBP, 220-240V/50Hz, 325W cooling capacity

Category: compressor

written by [www.mbsm.pro](http://www.mbsm.pro) | 13 December 2021



Private Picture Copyright: [WWW.MBSM.PRO](http://WWW.MBSM.PRO)

Best quality Chinese Brand, 3/8HP, R134A compressor, refrigerator, QD128H, 260W, RSIR, copper wire compressor, LBP, 220-240V/50Hz, 325W cooling capacity

---

Medium and High Back Pressure Compressors, M/HBP, RSIR, TECUMSEH, 1/5++ HP, R134a, 160g, TWB1374YGS,

TW146GY, 220v/50-60, kiriazi defrost,  
340L, k350, k350/1, Embraco,  
ff17.5hak, tw146-gy-486, twb1374ygs

Category: compressor

written by [www.mbsm.pro](http://www.mbsm.pro) | 13 December 2021

Medium and High Back Pressure Compressors, M/HBP, RSIR, TECUMSEH, 1/5++ HP,  
R134a, 160g, TWB1374YGS, TW146GY, 220v/50-60, kiriazi defrost, 340L, k350,  
k350/1, Embraco, ff17.5hak, tw146-gy-486, twb1374ygs