

Réfrigerator, Freezer, GR-B562YLC, 420L, 20 Feet, Compressor, 1/3HP, R134A, 135G , LG GR-B562YLC, Bio Shield, Vitamin Plus, Carbon deodorizer

Category: compressor, Freezer, Technologie

written by www.mbsm.pro | 9 December 2021

BRAND TYPE Rp (000) FEATURES

ELECTROLUX ERM-1500 Rp.1588 154lt, Semi Auto Defrost, Low Voltage

LG GC-051SA 1220 46 lt Portable refrigerator

LG GN-V191RL Rp.1551 190lt, Semi Auto Defrost, vertical handle

LG GN-V191RLK Rp.- 190lt, Semi Auto Defrost, XL freezer, Door Lock

LG GN-V191SL Rp.1561 190lt, Semi Auto Defrost, horizontal handle

LG GN-V191SLT Rp.1531 190lt, Semi Auto Defrost, Direct Cooling, Magic Crisper

LG GN-V231RL Rp.1721 230lt, Semi Auto Defrost, vertical handle

LG GN-V231SL Rp.1671 230lt, Semi Auto Defrost, horizontal handle

PANASONIC NR-A172D-ST Rp.1539 155 Lt, Alowa +, Colour: Stainless

PANASONIC NR-A172M Rp.1429 155 Lt, Alowa +, Colour: Orange, Night Blue & Savanna Green

PANASONIC NR-A172S Rp.1399 155 Lt, Alowa +, Colour: Moccachino, Black coffee hairline

PANASONIC NR-A192D-ST Rp.1639 164 Lt, Alowa +, Colour: Stainless

PANASONIC NR-A192M Rp.1499 164 Lt, Alowa +, Colour: Orange, Night Blue & Savanna Green

PANASONIC NR-A192S Rp.1499 164 Lt, Alowa +, Colour: Moccachino, Black coffee hairline

SAMSUNG RA-19PTMU Rp.- 190Lt, Direct cooling, Anti Bacterial Gasket

SAMSUNG RA-19PTPG Rp.- 190Lt, Direct cooling, Anti Bacterial Gasket

SAMSUNG RA-19PTTS Rp.- 190Lt, Door Alarm: 2 min, Anti bacterial gasket

SAMSUNG RA-21PTTS Rp.- 210Lt, Direct cooling, Anti Bacterial Gasket

SANYO SR-D167SB Rp.1290 Semi Auto Defrost, Direct Cooling System

SANYO SR-D182SB Rp.1430 160 lt, Semi auto defrost, 505x510x1160, colour: batik red

SANYO SR-D187SB Rp.1339 Semi Auto Defrost, Direct Cooling System

SANYO SR-D188SB Rp.1490 160 lt, Semi auto defrost, 505x510x1160

SANYO SR-D216SB Rp.1490 Semi auto defrost, 505 x 510 x 1310

SANYO SR-D50 Rp.- 50 lt, 22w, Super silent compressor

SANYO SR-D75 Rp.- 75 lt, 24w, Super silent compressor

SHARP SJ-S170T-RD Rp.1627 SAMURAI series, 160 lt, Anti Bacteria, Semi Auto Defrost

SHARP SJ-S190T-RD Rp.1697 SAMURAI series, 170 lt, Anti Bacteria, Semi Auto Defrost

SHARP SJ-S200T-RD Rp.1747 SAMURAI series, 170 lt, Anti Bacteria, Semi Auto Defrost

SHARP SJ-D17T-SL Rp.1919 Knight series, 150 Lt, Semi Auto Defrost

SHARP SJ-17MKII Rp.1437 170lt, Low voltage, Gripless Handle
SHARP SJ-19MKII Rp.1527 170lt, Low voltage, Gripless Handle
SHARP SJ-22SE Rp.- 180lt, Extra Big Freezer, Semi Auto Defrost
SHARP SJ-G191T Rp.1627 170 Lt, Lemon Series Refrigerator, Low voltage
SHARP SJ-G200T Rp.- Lemon Series Refrigerator, Honeycomb Deodorizer
SHARP SJ-G220T Rp.- Lemon Series Refrigerator, Low voltage
SHARP SJ-K170T Rp.- Lemon Series Refrigerator, Anti Bacteria, Key
SHARP SJ-K190T Rp.- Lemon Series Refrigerator, Anti Bacteria, Key
SHARP SJ-K230T Rp.- Lemon Series Refrigerator, Anti Bacteria, Key
TOSHIBA GR-N9P Rp.1282 70 lt, Portable, Ultra Direct Cooling, Glacio XD7
TOSHIBA GR-N155BC Rp.1281 120 lt, 22 w, Glacio XD7
TOSHIBA GR-N175BC Rp.1422 150 lt, 25 w, Glacio XD7
TOSHIBA GR-N178JZ-T Rp.1422 Glacio Jazz series, Silver ion anti bacteria,
Colour:
Titanium
TOSHIBA GR-N178JZ-W Rp.1422 Glacio Jazz series, Silver ion anti bacteria,
Colour:
White
TOSHIBA GR-N185BCH Rp.1422 160 lt, 27 w, Glacio XD7
TOSHIBA GR-N188JZ-T Rp.1521 Glacio Jazz series, Silver ion anti bacteria,
Colour:
Titanium
TOSHIBA GR-N188JZ-W Rp.1521 Glacio Jazz series, Silver ion anti bacteria,
Colour:
White
TOSHIBA GR-N195C Rp.1477 165 lt, 27 w, Glacio XD7
TOSHIBA GR-N198 Rp.- 165 Lt, Glacio XD7, Silver Ion Anti Bacteria, 27W
TOSHIBA GR-N228 Rp.- 180 Lt, Glacio XD7, Silver Ion Anti Bacteria, 30W
TOSHIBA GR-N198W Rp.- 165 Lt, Dispenser, Glacio XD7, Silver Ion Anti Bacteria,
27W
TOSHIBA GR-N228W Rp.- 180 Lt, Dispenser, Glacio XD7, Silver Ion Anti Bacteria,
30W
= FREEZER =
BRAND TYPE Rp (000) FEATURES
SANYO HF-S4LL Rp.1929 120 lt, 4 rak
SANYO HF-S6L Rp.2229 180 lt, 6 rak
TOSHIBA GF-K149 Rp.1881 4 rak, kunci
TOSHIBA GF-K169 Rp.2021 5 rak, kunci
TOSHIBA GF-K189 Rp.2181 6 rak, kunci
= KULKAS 2 PINTU / 2 DOORS REFRIGERATOR =
BRAND TYPE Rp (000) FEATURES
ELECTROLUX ETB-1800PC Rp.2848 180 Lt, Jet Air Cooling System, Deodorizer, Door
alarm
ELECTROLUX ETB-2300PC Rp.3488 230 Lt, Multi Airflow System, Deo Fresh Active,
Door
alarm
ELECTROLUX ETB-2600PC Rp.4388 260 Lt, Multi Airflow System, Deo Fresh Active,
Door
alarm
ELECTROLUX ETB-3200PC Rp.4888 320 Lt, Multi Airflow System, Deo Fresh Active,

Door

alarm

ELECTROLUX ETE-4407SD Rp.8088 440 Lt, Jet Air Curtain System, UV Platinum deodorizer

ELECTROLUX ETM-4407PD Rp.7289 440 Lt, Jet Air Curtain System, Active Deo, Colour:

Silver

ELECTROLUX ETM-4407SD Rp.7729 440 Lt, Jet Air Curtain System, Active Deo, Colour:

Stainless

ELECTROLUX ETM-5107SD Rp.8689 520 Lt, Active Hybrid Deodorizer, Colour: Stainless

ELECTROLUX ETE-5107SD Rp.8999 522 Lt, UV Platinum Deo, LED display, Colour: Stainless

LG GN-V212RL Rp.2283 210 lt, Vit + Ion, Multi Airflow Cooling System

LG GN-V212RP Rp.2589 210 Lt, Health+ system, Vitamin+

LG GN-V212SL Rp.2179 210 lt, Multi Airflow Cooling System

LG GN-V212SLT Rp.2179 210 lt, Multi Airflow Cooling System

LG GN-V222RLT Rp.2489 220 lt, Vit + Ion, Multi Airflow Cooling System

LG GN-V222RP Rp.2839 220 Lt, Health+ system, Vitamin+

LG GN-V222SLT Rp.2289 220 lt, Vit + Ion, Multi Airflow Cooling System

LG GN-V262RLC Rp.2849 234 lt, Multi Airflow, Moist Balance Crisper

LG GN-V262RLCT Rp.2849 234 lt, Vitamin Plus, Moist Balance Crisper

LG GN-V282RLC Rp.2979 253 lt, , Multi Airflow, Moist Balance Crisper

LG GN-V282RLCT Rp.2989 253 lt, Vitamin Plus, Moist Balance Crisper

LG GN-B352CLC Rp.3849 291lt Nett capacity, Vitamin Plus, Ion Carbon Deodorizer

LG GN-M352CLN Rp.4349 288 lt Nett capacity, Bio Shield, Vitamin Plus, LED display

LG GN-B392CLC Rp.4139 321lt Nett capacity, Vitamin Plus, Ion Carbon Deodorizer

LG GN-M352CPC Rp.4241 288 lt Nett capacity, Door Cooling, Vit Plus, Green Ion Deo,

Flora finishing

LG GN-M352CPC-APG Rp.4229 288 lt Nett capacity, Door Cooling, Vit Plus, Green Ion Deo,

Flora finishing

LG GN-M392CPC Rp.4459 318 lt Nett capacity, Door Cooling, Vit Plus, Green Ion Deo,

Flora finishing

LG GN-M392CPC-APG Rp.4459 288 lt Nett capacity, Door Cooling, Vit Plus, Green Ion Deo,

Flora finishing

LG GN-B492CLC Rp.- 393 lt Nett capacity, Vitamin Plus, Ion Carbon Deodorizer

LG GN-B492GLC Rp.4689 490Lt, Fresh OZone, Bigger Fruits & Veggie Box

LG GN-M492CLN Rp.5369 388 lt Nett capacity, Bio Shield, Vitamin Plus, LED display

LG GN-M492CPC Rp.- 388 lt Nett capacity, Door Cooling, Vit Plus, Green Ion Deo, Flora finishing

LG GN-M492CPC-APG Rp.5239 388 lt Nett capacity, Door Cooling, Vit Plus, Green Ion Deo,

Flora finishing

LG GN-M492GLH Rp.5551 490Lt, Anti-Bacterial Health Guard, Ext Temperature Control

LG GN-M492GPC Rp.5459 490Lt, Green Ion Door Cooling, External Temperature Control

LG GN-B562GLC Rp.5159 560Lt, Fresh OZone, Bigger Fruits & Veggie Box

LG GN-M562GLH Rp.6081 560Lt, Anti-Bacterial Health Guard, Ext Temperature Control

LG GN-M562GPC Rp.5682 560Lt, Green Ion Door Cooling, External Temperature Control

LG GN-B602GLC Rp.5749 600Lt, Fresh OZone, Bigger Fruits & Veggie Box

LG GN-M602GPC Rp.6172 600Lt, Green Ion Door Cooling, External Temperature Control

LG GN-M602GLH Rp.6581 600Lt, Anti-Bacterial Health Guard, Ext Temperature Control

LG GN-B702GPC Rp.7229 700Lt, Green Ion Door Cooling, External Temperature Control

LG GN-M702GLH Rp.7881 700Lt, Anti-Bacterial Health Guard, Ext Temperature Control

LG GN-M702GPH Rp.8121 700Lt, Anti-Bacterial Health Guard, Ext Temperature Control

PANASONIC NR-B222M Rp.2399 210 Lt, Eco compressor (Energy saving up to 30%), Colour: Coral Blue, Savanna Green, Sapphire Violet

PANASONIC NR-B222R Rp.2399 210 Lt, Eco compressor (Energy saving up to 30%), Colour: Lily Starlight Silver, Lily Praline Brown

PANASONIC NR-B222S-H Rp.2399 210 Lt, Eco compressor (Energy saving up to 30%), Colour: Iris Black Hairline

PANASONIC NR-B262M Rp.2582 223 Lt, Eco compressor (Energy saving up to 30%), Colour: Coral Blue, Savanna Green, Sapphire Violet

PANASONIC NR-B262R Rp.2659 223 Lt, Eco compressor (Energy saving up to 30%), Colour: Lily Starlight Silver, Lily Praline Brown

PANASONIC NR-B262S-H Rp.2659 223 Lt, Eco compressor (Energy saving up to 30%), Colour: Iris Black Hairline

SAMSUNG RT-2A SRTS1 Rp.- 196LT, Humidity adjustable for optimal freshness and nutrients

SAMSUNG RT-2B SLTS Rp.- 280 Lt, Silver Nano deodorizer, Coolever zone

SAMSUNG RT-2B SRIS Rp.- 280 Lt, Cool Pack, Silver Plus deo, Colour: inox silver

SAMSUNG RT-41TSGL Rp.5441 336 Lt, Cool Pack, Silver Plus deo, Colour: glass door

SAMSUNG RT-45USGL Rp.5781 450 Lt, Cool Pack, Silver Plus deo, Colour: glass door

SANYO SR-D225NSB Rp.2339 Nano Ferrite Filter, Carbon deodorizer

SANYO SR-D245NSB Rp.2649 Nano Ferrite Filter, Carbon deodorizer

SHARP SJ-F201C-HD Rp.2382 2337 BATIQUÉ Series, 173 Lt, Automatic Defrosting

SHARP SJ-F231C-HD Rp.2633 2547 BATIQUÉ Series, 180 Lt, Automatic Defrosting

SHARP SJ-F201S-RD Rp.2578 2387 SAMURAI series, 170 lt, Anti bacteria

SHARP SJ-F231S-RD Rp.2615 2582 SAMURAI series, 180 lt, Anti bacteria

SHARP SJ-F201G Rp.- Fresh Lemon Series Refrigerator, Low Voltage

SHARP SJ-F231G – Fresh Lemon Series Refrigerator, Low Voltage

SHARP SJ-F232G – 180 lt, Fresh Lemon Series, Low Voltage

SHARP SJ-F233G – 180 lt, Fresh Lemon Series, Low Voltage

SHARP SJ-F232K Rp.- 180 lt, Fresh Lemon Series, Low Voltage, Door key

SHARP SJ-F240G Rp.- 221 lt, Fresh Lemon Series, Low Voltage

SHARP SJ-D22LV-SL Rp.- 195 lt, Lemon Series Refrigerator, Low Voltage
SHARP SJ-D27LV-SL Rp.- 210 lt, Lemon Series Refrigerator, Low Voltage
SHARP SJ-D30LV-SL Rp.- 235 lt, Lemon Series Refrigerator, Low Voltage
SHARP SJ-291NLV-SL Rp.- 260 lt, Lemon Series Refrigerator, Low Voltage
SHARP SJ-351NLV-SL Rp.- 300 lt, Lemon Series Refrigerator, Low Voltage
SHARP SJ-F420G-SS Rp.3727 310 lt, King Samurai Series, No Frost, Deodorizer
SHARP SJ-F420G-PS Rp.3927 310 lt, King Samurai Series, No Frost, Deodorizer
SHARP SJ-431NLV-SL Rp.- 320 lt, Lemon Series Refrigerator, Low Voltage
SHARP SJ-P470NLV-SL Rp.5757 367 lt, Vetro Series, Plasmacluster Ion, Colour: Silver
SHARP SJ-P470NLV-B Rp.5887 367 lt, Vetro Series, Plasmacluster Ion, Colour: Black
SHARP SJ-P471NLV-GS Rp.6482 367 lt, Vetro Series, Plasmacluster Ion, Colour: Glass Silver
SHARP SJ-P471NLV-GB Rp.6682 367 lt, Vetro Series, Plasmacluster Ion, Colour: Glass Black
SHARP SJ-P570NLV-SL Rp.- 397 lt, Vetro Series, Plasmacluster Ion, Colour: Silver
SHARP SJ-P570NLV-B Rp.- 397 lt, Vetro Series, Plasmacluster Ion, Colour: Black
SHARP SJ-P571NLV-GS Rp.- 397 lt, Vetro Series, Plasmacluster Ion, Colour: Glass Silver
SHARP SJ-P571NLV-GB Rp.- 397 lt, Vetro Series, Plasmacluster Ion, Colour: Glass Black
SHARP SJ-461NLV Rp.- 367 lt, SALSA Series Refrigerator, Hybrid Cooling System
SHARP SJ-P461NLV Rp.- 443 lt, SALSA Series Refrigerator, Plasmacluster Ion System
SHARP SJ-561NLV Rp.- 397 lt, SALSA Series Refrigerator, Hybrid Cooling System
SHARP SJ-P561NLV Rp.- 478 lt, SALSA Series Refrigerator, Plasmacluster Ion System
SHARP SJ-P581NLV Rp.- 437 lt, SALSA Series Refrigerator, Hybrid Cooling System, Plasmacluster, Advance LEC Control, Nano Deodorizer
SHARP SJ-P651NLV Rp.- 473 lt, SALSA Series Refrigerator, Hybrid Cooling System, Plasmacluster, Advance LEC Control, Nano Deodorizer
SHARP SJ-P751NLV Rp.- 514 lt, SALSA Series Refrigerator, Hybrid Cooling System, Plasmacluster, Advance LEC Control, Nano Deodorizer
SHARP SJ-P851NLV Rp.- 555 lt, SALSA Series Refrigerator, Hybrid Cooling System, Plasmacluster, Advance LEC Control, Nano Deodorizer
SHARP SJ-WS400T Rp.9347 326 Lt, Dual Swing Door, Energy Saving with Inverter
TOSHIBA GR-M245E Rp.2141 180 lt, No Frost, Glacio XD7
TOSHIBA GR-M245D Rp.2391 180 lt, No Frost, Deodorizer, Glacio XD7
TOSHIBA GR-M265D Rp.2731 216 lt, No Frost, Deodorizer, Glacio XD7
TOSHIBA GR-M258 Rp.2291 216 lt Glacio Jazz, No Frost, Low Voltage
TOSHIBA GR-R21ET Rp.- Import, 180 lt, Health series, Platinum Deodorizer
TOSHIBA GR-R25ET Rp.3491 Import, 228 lt, Health series, Platinum Deodorizer
TOSHIBA GR-R35ED Rp.4551 Import, 280 lt, Hybrid Plasma Deo, AG+ Crisper
TOSHIBA GR-R42ED Rp.4921 Import, 320 lt, Hybrid Plasma Deo, AG+ Crisper
TOSHIBA GR-R48ED Rp.- Import, 401 lt, Hybrid Plasma Deo
TOSHIBA GR-R51ED Rp.5621 Import, 401 lt, Hybrid Plasma Deo, AG+ Crisper
TOSHIBA GR-R58ED Rp.7381 6661 Import/Complete Built-up, 500 lt, Hybrid Plasma Deo
TOSHIBA GR-R66ED Rp.8725 8261 Import/Complete Built-up, 590 lt, Hybrid Plasma

Deo

TOSHIBA GR-RG43ED Rp.- Import, 355 lt, Hybrid Plasma Deo, Glass door

TOSHIBA GR-RG46ED Rp.5621 Import, 410 lt, Hybrid Plasma Deo, AG+ Crisper, Glass door

TOSHIBA GR-RG48ED Rp.- Import, 410 lt, Hybrid Plasma Deo, Glass door

TOSHIBA GR-RG51ED Rp.- Import, 500 lt, Hybrid Plasma Deo, AG+ Crisper, Glass door

TOSHIBA GR-RG58ED Rp.7851 Import, 500 lt, Hybrid Plasma Deo, Glass door

TOSHIBA GR-RG66ED Rp.8961 Import, 590 lt, Hybrid Plasma Deo, Glass door

= KULKAS 3 PINTU / 3 DOORS REFRIGERATOR =

BRAND TYPE Rp (000) FEATURES

ELECTROLUX ETB-2603PC Rp.4889 Deo Fresh Active, Multi Airflow System

TOSHIBA GR-R50EDV Rp.6129 Import/Complete Built-up, 3 doors

SIDE-BY-SIDE REFRIGERATOR

ELECTROLUX ESE-5608TA Rp.13828 555 lt, Crisper with Adjustable Humidity Control

LG GC-B207BLQ Rp.9222 581 lt, Icebeam Door Cooling System, LED Display

LG GC-B207CLC Rp.8151 581 lt, Bio Shield, Moist Balance™ Crisper, Digital Sensor

LG GC-B207CPC Rp.8289 8222 581 lt, Green Health Plus, Moist Balance™ Crisper

LG GC-L207BLK Rp.12889 LED Lighting, Tall ice & water dispenser

LG GR-B207BLQ Rp.8879 581 lt, LED Temperature Control, Bio Shield, Super Cool

LG GR-B217LGJ Rp.15382 581 lt, LED Temperature Control, Bio Shield Flower Pattern

LG GR-L207BLK Rp.- 567 lt, Icebeam Door Cooling System, Water & Ice Dispenser

MODENA RF-2561 Rp.8333 618Lt, Humidity controller crisper, Multi air flow

MODENA RF-2565 Rp.14343 608Lt, LED Temperature control, Ice & water dispenser

MODENA RF-4862 Rp.16663 610Lt, 4 Doors, Fast Freeze, Active Vita Crisper

= SHOWCASE COOLER =

BRAND TYPE Rp (000) FEATURES

DOMO DS 1200 Rp.2453 200 Lt showcase display cooler, 0 °C-10 °C

DOMO DS 1250 Rp.2757 2543 250 Lt showcase display cooler, 0 °C-10 °C

DOMO DS 1300 Rp.2853 300 Lt showcase display cooler, 0 °C-10 °C

DOMO DS 1400 Rp.3354 400 Lt showcase display cooler, 0 °C-10 °C

GEA EXPO 50 Rp.1491 50 Lt, 2°C – 8°C, fan cooling system, 1shelf

GEA EXPO 90 Rp.1991 90 Lt, 2°C – 8°C, fan cooling system, 4 shelves

GEA EXPO 136 Rp.2221 136 Lt, 2°C – 8°C, fan cooling system, 3 shelves

GEA EXPO 218HS Rp.2951 210 Lt, 2°C – 8°C, fan cooling system, 4 shelves

GEA EXPO 268HS Rp.3076 260 Lt, 2°C – 8°C, fan cooling system, 5 shelves

GEA EXPO 280P Rp.3471 280 Lt, 2°C – 8°C, No Frost Premium series, 4 shelves

GEA EXPO 368HS Rp.3481 360 Lt, 2°C – 8°C, fan cooling system, 5 shelves

GEA EXPO 450P Rp.5476 400 Lt, 2°C – 8°C, No Frost Premium series, 5 shelves

GEA EXPO 480 Rp.6332 6221 480 Lt, 2°C – 8°C, No Frost Premium, 6 shelves

GEA EXPO 200 Rp.- 200 Lt, 2°C – 8°C, fan cooling system, 3 shelves

GEA EXPO 250 Rp.- 250 Lt, 2°C – 8°C, fan cooling system, 5 shelves

GEA EXPO 350 Rp.- 350 Lt, 2°C – 8°C, fan cooling system, 5 shelves

GEA EXPO 420DD Rp.- 420 Lt, 2°C – 8°C, fan cooling system, 5 shelves

MODENA SC-1130 Rp.2048 130 Lt showcase display cooler, 0 °C-10 °C

MODENA SC-1150 Rp.2281 150 Lt showcase display cooler, 0 °C-10 °C

MODENA SC-1180 Rp.2423 180 Lt showcase display cooler, 0 °C-10 °C

MODENA SC-1200 Rp.- 200 Lt showcase display cooler, 0 °C-10 °C

MODENA SC-1260 Rp.3740- 2953 260 Lt showcase display cooler, 0 °C-10 °C

MODENA VM-1320 Rp.- 320 Lt showcase display cooler, 0 °C-10 °C
MODENA VM-1350 Rp.3583 350 Lt showcase display cooler, 0 °C-10 °C
MODENA VM-1380 Rp.- 380 Lt showcase display cooler, 0 °C-10 °C
MODENA VM-1410 4982 4084 410 Lt showcase display cooler, 0 °C-10 °C
POLYTRON SCP-122LE Rp.2328 Big capacity, Non CFC, Low energy consumption
POLYTRON SCP-123 Rp.2448 Big capacity, Non CFC, Low energy consumption, Bottle opener
POLYTRON SCP-150 Rp.2528 180 Lt, Non CFC, Low energy consumption, 540x660x1525mm
POLYTRON SCP-151 Rp.2559 Big capacity, Non CFC, Low energy consumption, Bottle opener
POLYTRON SCP-156T Rp.2480 170Lt, IPM LED Timer, 3 Shelves
POLYTRON SCP-157T Rp.2580 170Lt, IPM LED Timer, 3 Shelves, Bottle opener, Door handle
POLYTRON SCP-161 Rp.2728 180 Lt, 3 Shelves, Bottle opener, No Frost
POLYTRON SCP-1170 Rp.2687 230 Lt, Non CFC, Low energy consumption, 540x660x1785mm
POLYTRON SCP-1171 Rp.2788 Big capacity, Non CFC, Low energy consumption, Bottle opener
POLYTRON SCP-1181 Rp.2968 230 Lt, 4 Shelves, Bottle opener, No Frost
SANSIO SAN-238SC Rp.3543 4 Shelves, 55 x 54 x 177 cm
SANSIO SAN-288SC Rp.3853 4 Shelves, 58 x 61 x 182 cm
SANSIO SAN-368SC Rp.4283 4 Shelves, 58 x 61 x 198 cm
SANSIO SAN-278SC Rp.4543 4 Shelves Premium series display showcase cooler
SANSIO SAN-378SC Rp.4993 5 Shelves Premium series display showcase cooler
SANSIO SAN-248 Rp.- 248 Lt, 4 Shelves, Premium series display showcase cooler
SANSIO SAN-338 Rp.- 338 Lt, 5 Shelves, Premium series display showcase cooler
SANSIO SAN-428SC Rp.5733 408 Lt, 5 Shelves, Premium series display showcase cooler
SANSIO SAN-888 Rp.8943 888 Lt, 2 Doors, 10 Shelves, 0° to +10°C
SANSIO SAN-1188 Rp.9953 1188 Lt, 2 Doors, 10 Shelves, 0° to +10°C
SANSIO SAN-1488 Rp.1488 Lt, 2 Doors, 10 Shelves, 0° to +10°C
Back to top
= CHEST FREEZER =
BRAND TYPE Rp (000) FEATURES
DOMO DF 1100 Rp.1644 100 Lt chest freezer, - 18°C
DOMO DF 1155 Rp.1829 155 Lt chest freezer, - 18°C
DOMO DF 1205 Rp.2044 205 Lt chest freezer, - 25°C
DOMO DF 1300 Rp.2734 300 Lt chest freezer, - 25°C
GEA AB-108 Rp.1972 105 Lt, - 28°C, Lock
GEA AB-201TX Rp.2629 194 Lt, - 28°C, Lock
GEA AB-201TC Rp.3081 194 Lt, - 28°C, Lock, suhu bisa dirubah ke chiller +2° s/d +8°C
GEA AB-271 Rp.3151 295 Lt, - 28°C, Lock
GEA AB-396T Rp.4121 386 Lt, - 28°C, Lock
GEA AB-506T Rp.4831 492 Lt, - 28°C, Lock
GEA AB-600T Rp.5341 607 Lt, - 28°C, Lock
GEA AB-600TC Rp.6521 607 Lt, - 28°C, Lock
GEA AB-750T Rp.5961 750 Lt, - 28°C, Lock
MODENA MD-10 Rp.2188 100 Lt chest freezer, - 25°C
MODENA MD-15 Rp.2383 155 Lt chest freezer, - 25°C

MODENA MD-20A Rp.2695 205 Lt chest freezer, - 25°C
MODENA MD-30 Rp.3883 300 Lt chest freezer, - 25°C
MODENA MD-45 Rp.5033 450 Lt chest freezer, - 25°C
MODENA MD-60 Rp.5433 600 Lt chest freezer, - 25°C
MODENA MD-75 Rp.6783 750 Lt chest freezer, - 25°C
MODENA MD-95 Rp.8983 950 Lt chest freezer, - 25°C
SANSIO SAN-148F Rp.2033 142 Lt, Temperatur range: -25° to -32°C
SANSIO SAN-218F Rp.2543 215 Lt, Temperatur range: -25° to -32°C
SANSIO SAN-318F Rp.3343 318 Lt, Temperatur range: -25° to -32°C
SANSIO SAN-418F Rp.4543 418 Lt, Temperatur range: -25° to -32°C
SANSIO SAN-518F Rp.5653 518 Lt, Temperatur range: -25° to -32°C
SANSIO SAN-618F Rp.5399 618 Lt, Temperatur range: -25° to -32°C
SANSIO SAN-818F Rp.7273 818 Lt, Temperatur range: -25° to -32°C
SANSIO SAN-1288F Rp.- 1188 Lt, Temperatur range: -25° to -32°C
SANYO SF-C11KW Rp.1939 108 Lt, Key lock, Non CFC
SANYO SF-C15KW Rp.2039 150 Lt, Key lock, Non CFC
SANYO SF-C18KW Rp.2139 178 Lt, Key lock, Non CFC
SANYO SF-C21KW Rp.2439 208 Lt, Key lock, Non CFC
SANYO SF-C24KW Rp.2669 245 Lt, Key lock, Non CFC
SANYO SF-C30KW Rp.3249 298 Lt, Key lock, Non CFC

Back to top

= SLIDING GLASS FREEZER =

BRAND TYPE Rp (000) FEATURES

GEA SD-100 Rp.1871 Sliding flat glass,100 Lt, -18 to - 25°C
GEA SD-132P Rp.2191 Sliding flat glass,132 Lt, -18 to - 25°C
GEA SD-186 Rp.2371 Sliding flat glass,186 Lt, -18 to - 25°C
GEA SD-260BY Rp.3891 Sliding curve glass, 260 Lt, -15 to - 20°C
GEA SLD-200 Rp.3172 Sliding curve glass, 200 Lt, -18 to - 25°C
GEA SLD-258 Rp.- Sliding curve glass, 258 Lt, -18 to - 25°C
GEA SLD-308 Rp.4122 Sliding curve glass, 308 Lt, -18 to - 25°C
GEA SLD-388 Rp.4922 Sliding curve glass, 388 Lt, -18 to - 25°C
MODENA MC-23 Rp.4012 Sliding curve glass, 230 Lt freezer, - 25°C
MODENA MC-30 Rp.4627 Sliding curve glass, 300 Lt freezer, - 25°C
SANSIO SAN-268SF Rp.3683 Sliding curve glass, 268 Lt, -18° to -25°C
SANSIO SAN-308SF Rp.4383 Sliding curve glass, 308 Lt, -18° to -25°C
LG GN-V262RVC 260 lt, Vit + Ion, Multi Airflow Cooling System
LG GN-V282RLC 290 lt, , Multi Airflow, Moist Balance Crisper -
LG GN-V282RLCT 253 lt, Vitamin Plus, Moist Balance Crisper
LG GN-V282RVC 290 lt, Vit + Ion, Multi Airflow Cooling System -
LG GN-V282RNB 290 lt, Vit + Ion, Multi Airflow Cooling System -
LG GN-B352CLC 291lt Nett capacity, Vitamin Plus, Ion Carbon Deodoriser
LG GN-B352YVC 350 lt, Bio Shield, Green Ion Door Cooling, Vitamin Plus
LG GN-B392CLC 321lt Nett capacity, Vitamin Plus, Ion Carbon Deodoriser
LG GN-B392YLC 380 lt, Bio Shield, Vitamin Plus, Green Ion deodorizer
LG GN-B492CLC 393 lt Nett capacity, Vitamin Plus, Ion Carbon Deodoriser
LG GN-M352CLN 288 lt Nett capacity, Bio Shield, Vitamin Plus, LED display
LG GN-M352CPC 288 lt Nett capacity, Door Cooling, Vit Plus, Green Ion Deo, Flora finishing
LG GN-M352YPC 315 lt, Bio Shield, Vitamin Plus, Green Ion deodorizer -
LG GN-M392CPC 318 lt Nett capacity, Door Cooling, Vit Plus, Green Ion Deo, Flora

finishing

LG GN-M392YLQ 346 lt, Bio Shield, Vitamin Plus, Green Ion door cooling –
LG GN-M392YPC 346 lt, Bio Shield, Vitamin Plus, Green Ion deodorizer –
LG GN-M492CLN 388 lt Nett capacity, Bio Shield, Vitamin Plus, LED display
LG GN-M492CPC 388 lt Nett capacity, Door Cooling, Vit Plus, Green Ion Deo, Flora

finishing

LG GN-M492YPC 422 lt, Bio Shield, Vitamin Plus, Green Ion deodorizer –
LG GR-B352CLC 350 lt, Bio Shield, Vitamin Plus, Z-Deodoriser
LG GR-B392YLC 339 lt, Green Ion Door Cooling, Vitamin Plus, Deo –
LG GR-B492CLC 470 lt, Bio Shield, Vitamin Plus, Z-Deodoriser
LG GR-B492YLC 393 lt, Bio Shield, Vitamin Plus, Z-Deodorizer –
LG GR-B562YLC 428 lt, Bio Shield, Vitamin Plus, Carbon deodorizer
LG GR-B602YLC 660 lt, Bio Shield, Vitamin Plus, Carbon deodorizer
LG GR-M562YSQ 423 Lt netto, Wide LED Temperature Control, Vitamin Plus, Green ion Deodorizer
LG GR-M602YSQ 463 Lt netto, Wide LED Temperature Control, Vitamin Plus, Green ion Deodorizer
LG GR-M652YSQ 566 Lt, Wide LED Temperature Control, Vitamin Plus, Green ion Deodorizer
LG GR-M712YLA 710 Lt, Wide LED Temperature Control, Vitamin Plus, Green ion Deodorizer, Door Alarm –
LG GR-M712YSQ 640 Lt, Wide LED Temperature Control, Vitamin Plus, Green ion Deodorizer

PANASONIC NR-B21KX 200 lt, 99w, Organix Antibacteria Cassette,
PANASONIC NR-B23CF-S 195 lt, 99w, DEON (Honey Comb Deodorizer & Ion)
PANASONIC NR-B25BF-S 229 lt, 110w, DEON (Honey Comb Deodorizer & Ion)
PANASONIC NR-B25GF-S 229 lt, 110w, DEON (Honey Comb Deodorizer & Ion)
PANASONIC NR-B203G 204 lt, MagicTop, N- Bio Deodorizer
PANASONIC NR-B243G 234 lt, MagicTop, N-Bio Deodorizer
PANASONIC NR-B283G 279 lt, MagicTop, N-Bio Deodorizer
PANASONIC NR-B363M 355 lt, Multi Hygienic System , MagicTop
PANASONIC NR-B403V Import/Complete Built-up, 395lt, MagicTop, Inverter
PANASONIC NR-B591 Import/Complete Built-up, 506 lt, MagicTop –
PANASONIC NR-BW414VSWA 418 lt, Inverter – saving 40% energy, MagicTop
PANASONIC NR-BW464VSWA 463 lt, Inverter – saving 40% energy, MagicTop
PANASONIC NR-BY551XSWA 495 lt, Inverter – saving 40% energy, MagicTop
PANASONIC NR-BW601XSWA 546 lt, Inverter – saving 40% energy, MagicTop
SAMSUNG RT-2A SDIS 230 Lt, Cool Pack, Silver Nano deodorizer
SAMSUNG RT-2A SATS 230 Lt, Cool Pack, Silver plus deodorizer
SAMSUNG RT-2A SDSS 230 Lt, Cool Pack, Silver Nano deodorizer
SAMSUNG RT-2A SDTS 230 Lt, Cool Pack, Silver plus deodorizer
SAMSUNG RT-2B SATS 280 Lt, Cool Pack, Silver Plus deodorizer, Coolever zone
SAMSUNG RT-2B SDTS 280 Lt, Cool Pack, Silver Nano deodorizer, Coolever zone
SAMSUNG RT-30SCTS 300 Lt, Big Plus, Cool Pack, Silver Plus deodorizer
SAMSUNG RT-30SSIS 300 Lt, Evergreen Zone, Cool Pack, Silver Plus deodorizer
SAMSUNG RT-30SSPN 300 Lt, Evergreen Zone, UV Chilled Room, Silver Plus deo
SAMSUNG RT-37SCTS 370 Lt, Big Plus, Cool Pack, Silver Plus deodorizer
SAMSUNG RT-37SSPN 370 Lt, Evergreen Zone, UV Chilled Room, Silver Plus deo
SAMSUNG RT-41MAIS 410 Lt, i-Cool, Coolever Zone, Silver Nano deodorizer
SAMSUNG RT-45MAIS 450 Lt, i-Cool, Coolever Zone, Silver Nano deodorizer

SANYO SR-D225N 179 lt, Nano Ferrite Filter, Carbon deodorizer
SANYO SR-D245N 216 lt, Nano Ferrite Filter, Carbon deodorizer
SHARP SJ-F201S-RD SAMURAI series, 170 lt, Anti bacteria
SHARP SJ-F231S-RD SAMURAI series, 180 lt, Anti bacteria
SHARP SJ-F200G Fresh Lemon Series Refrigerator, Low Voltage –
SHARP SJ-F200M Fresh Lemon Series Refrigerator, Low Voltage –
SHARP SJ-F201G Fresh Lemon Series Refrigerator, Low Voltage –
SHARP SJ-F201M Fresh Lemon Series Refrigerator, Low Voltage –
SHARP SJ-F231G Fresh Lemon Series Refrigerator, Low Voltage –
SHARP SJ-F231M Fresh Lemon Series Refrigerator, Low Voltage –
SHARP SJ-D22LV-SL 195 lt, Lemon Series Refrigerator, Low Voltage
SHARP SJ-D27LV-SL 210 lt, Lemon Series Refrigerator, Low Voltage
SHARP SJ-D30LV-SL 235 lt, Lemon Series Refrigerator, Low Voltage
SHARP SJ-291NLV-SL 260 lt, Lemon Series Refrigerator, Low Voltage –
SHARP SJ-351NLV-SL 300 lt, Lemon Series Refrigerator, Low Voltage
SHARP SJ-431NLV-SL 320 lt, Lemon Series Refrigerator, Low Voltage
SHARP SJ-460NLV 367 lt, SALSA Series Refrigerator, Nano Deodorizer –
SHARP SJ-461NLV 367 lt, SALSA Series Refrigerator, Hybrid Cooling System
SHARP SJ-P450NLV 370 lt, Plasmacluster Ion System
SHARP SJ-P461NLV 443 lt, SALSA Series Refrigerator, Plasmacluster Ion System
SHARP SJ-560NLV 367 lt, SALSA Series Refrigerator, Nano Deodorizer –
SHARP SJ-561NLV 397 lt, SALSA Series Refrigerator, Hybrid Cooling System
SHARP SJ-P510NLV 409 lt, Plasmacluster Ion System
SHARP SJ-P561NLV 478 lt, SALSA Series Refrigerator, Plasmacluster Ion System
SHARP SJ-580NLV 437 lt, SALSA Series Refrigerator, Hybrid Cooling System –
SHARP SJ-P580NLV 375 lt, Lemon Series no frost with plasma cluster
SHARP SJ-P581NLV 437 lt, SALSA Series Refrigerator, Hybrid Cooling System,
Plasmacluster, Advance LEC Control, Nano Deodorizer
SHARP SJ-650NLV 473 lt, SALSA Series Refrigerator, Hybrid Cooling System –
SHARP SJ-P651NLV 473 lt, SALSA Series Refrigerator, Hybrid Cooling System,
Plasmacluster, Advance LEC Control, Nano Deodorizer
SHARP SJ-750NLV 514 lt, SALSA Series Refrigerator, Hybrid Cooling System –
SHARP SJ-P750NLV 514 lt, SALSA Series Plasmacluster Refrigerator –
SHARP SJ-P751NLV 514 lt, SALSA Series Refrigerator, Hybrid Cooling System,
Plasmacluster, Advance LEC Control, Nano Deodorizer
SHARP SJ-P812NLV 524 lt, Plasmacluster Ion System –
SHARP SJ-850NLV 555 lt, SALSA Series Refrigerator, Hybrid Cooling System –
SHARP SJ-P851NLV 555 lt, SALSA Series Refrigerator, Hybrid Cooling System,
Plasmacluster, Advance LEC Control, Nano Deodorizer
TOSHIBA GR-K242 180 lt, 75W
TOSHIBA GR-K242PD 180 lt, 75W, Platinum Deodorizer
TOSHIBA GR-K262 216 lt, 90W
TOSHIBA GR-K262PD 216 lt, 90W, Platinum Deodorizer
TOSHIBA GR-M245E 180 lt, No Frost
TOSHIBA GR-M245D 180 lt, No Frost, Deodorizer
TOSHIBA GR-M265D 216 lt, No Frost, Deodorizer
TOSHIBA GR-R21ET Import, 180 lt, Health series, Platinum Deodorizer
TOSHIBA GR-R25ET Import, 228 lt, Health series, Platinum Deodorizer
TOSHIBA GR-R34ED Import/Complete Built-up, 280 lt, Hybrid Plasma Deo
TOSHIBA GR-R39ED Import/Complete Built-up, 320 lt, Hybrid Plasma Deo

TOSHIBA GR-RG43ED Import, 355 lt, Hybrid Plasma Deo, Glass door
TOSHIBA GR-R48ED Import, 401 lt, Hybrid Plasma Deo
TOSHIBA GR-RG48ED Import, 410 lt, Hybrid Plasma Deo, Glass door
TOSHIBA GR-R58ED Import/Complete Built-up, 500 lt, Hybrid Plasma Deo
TOSHIBA GR-R66ED Import/Complete Built-up, 590 lt, Hybrid Plasma Deo
TOSHIBA GR-RG58ED Import, 500 lt, Hybrid Plasma Deo, Glass door
TOSHIBA GR-RG66ED Import, 590 lt, Hybrid Plasma Deo, Glass door
KULKAS 3 PINTU / 3 DOORS REFRIGERATOR
ELECTROLUX ETB-2603PC Deo Fresh Active, Multi Airflow System
TOSHIBA GR-R47EDV Import/Complete Built-up, 3 doors, 470 lt
SIDE-BY-SIDE REFRIGERATOR
ELECTROLUX ERE-6100SX 580 lt, Fully Electronic Control with LCD Display, Wine rack
LG GR-A207WPJ 581 lt, Green LED, In-Door Ice Maker
LG GR-B207FLC 581 lt, Bio Shield, Moist Balance™ Crisper
LG GR-B207WLQ 581 lt, LED Temperature Control, Bio Shield
LG GR-B217LGJ 581 lt, LED Temperature Control, Bio Shield Flower Pattern
LG GR-L207WLK 567 lt, Tall Ice & Water Dispenser
LG GR-R207WTC 584 lt, Electric Control with 6 Sensor



Private Picture Copyright : WWW.MBSM.PRO

Mbsm_dot_pro_private_PDF_lg-gr-b562ylc-owner-s-manualTélécharger



REFRIGERATOR-FREEZER
MODEL No.: GR-B562YLC

CLIMATE CLASS	T
RATING	220V ~ 50/60Hz
RATED CURRENT	0.6A
DEFROSTING INPUT	230W
RATED INPUT OF HEATER CORD	165W
RATED INPUT MAXIMUM OF LAMP	
FREEZER COMPARTMENT	20W
FRESH FOOD COMPARTMENT	30W
INSULATION BLOWING AGENT	Cyclopentane
NET WEIGHT	85kg
REFRIGERANT	R134a 135g
DIMENSIONS	755(W)x707(D)x1777(H)mm
SERIAL No.:	Refer to bar code label.

MADE IN INDONESIA

MEZ40001987

Private Picture Copyright : WWW.MBSM.PRO

Application Deep Freezer	MA88LAEP
Fridge Compressor – Capacity	410 – 450 liters
Displacement	8.8
Cooling Capacity	235 (kcal/h), 273W, 933 (Btu/h), 0.367HP
Input Power	227W
COP W/W	1.2
EER Btu/Wh	4.11
Motor type	CSIR-Relay
Starting Device (PTC)	QL2-5-55
Motor Protector (OLP)	4TM314TFB
(Capacitor) Starting/Surge Voltage	50 / 275
(OIL) Viscosity cst/ Qty(cc)	22/220
Cooling type	FC
Compressor Height	177mm

Net Weight

9.3 kg.

Best quality Chinese Brand, 3/8HP, R134A compressor, refrigerator, QD128H, 260W, RSIR, copper wire compressor, LBP, 220-240V/50Hz, 325W cooling capacity

Category: compressor

written by www.mbsm.pro | 9 December 2021



Private Picture Copyright: WWW.MBSM.PRO

Best quality Chinese Brand, 3/8HP, R134A compressor, refrigerator, QD128H, 260W, RSIR, copper wire compressor, LBP, 220-240V/50Hz, 325W cooling capacity

Embraco, NBT1118Z, Refrigerator,

Freezer, Compressor, 1/4 HP, R134a, LBP, RSCR

Category: compressor

written by www.mbsm.pro | 9 December 2021

Réfrigérant: R-134a

Application: LBP

Fréquence: 50Hz

Déplacement: 8.40cm³ / 0.51in³

B.OM : 298BA

Tension / Fréquence: 220-240V 50Hz 1 ~

Type de moteur: Démarrage résistif Inductif Run-Resistive Start Capacitive Run

LRA (A): 6.9

Dispositif d'expansion:

Lubrifiant capillaire : Charge: 350cm³,6.2oz³;

Type: polyolester 10

Poids: 10,8 kg, 23,8

lb Hauteur maximale: 200,0 mm, 7,9 pouces

Type de refroidissement: (Refroidissement statique) – le compresseur n'a pas besoin de refroidissement forcé, mais il doit être installé afin de garantir la circulation naturelle de l'air en convection, pour éviter la surchauffe.

Capacité nominale / température d'évaporation, W / ° C (avec une température de température de 54,4 ° C): 150 / -30,204 / -25,271 / -20,352 / -15? 446 / -10,554 / -5

Capacité nominale / température d'évaporation, W / ° C (avec température ambiante de 45 ° C): 165 / -30, 220 / -25,289 / -20,371 / -15? 468 / -10,579 / -5

Point nominal -23,3 ° C : Refroidissement: 225 W, 194 kcal / h;

W. entrée: 151W;

Courant: 0,60A;

EER: 1,49 W / W, 1,28 kcal / hW

Détails techniques

220/240V 50Hz

puissance 1/4L – cylindrée 8,40 cc

gaz R134a LBP

ASPERA

MONDIAL FRAMEC

Mondial FramecArmoireréfrigérée BRIO ICE 4 SK, KIC N40 R134A EBA210815, KIC NX40 R134A EBA210813

...et d'autres dispositifs

NBT1118Z-RSCR – ASPERA

NBT1118Z-RSCR – EMBRACO

LF3070231 – GEV – MONDIAL FRAMEC

...numéros de fabricant supplémentaires possibles



Private Picture Copyright : WWW.MBSM.PRO

Mbsm_dot_pro_private_PDF_NBT1118Z_Embraco_VerdichterTélécharger

R134a, LBP, Mini Commerciale, 1/5hp compresseur, réfrigérateur, QD75H, 150W

Category: compressor

written by www.mbsm.pro | 9 December 2021

Caractéristiques

Compresseur de réfrigérateur 1 / 5HP R134A pour réfrigérateur

Compresseur AC: R134A Hermetic LBP Piston Reciprocationg

Modèle de compresseur : QD75H

Alimentation: 220 ~ 240V / 50Hz

Déplacement: 7.5CC

Capacité de refroidissement: 180W

Puissance nominale: 150W

Puissance nominale: 1 / 5HP

COP: 1,2 W / W

Type de moteur: Relais de

démarrage RSIR :

Type de refroidissement PTC : S

Application: LBP

Certification: CE

1x20'FCL: 1920PCS

Application:

LBP: Faible contre-pression; Réfrigérateur, congélateur, cave à vin

MBP: Contre-pression moyenne; Climatiseur, distributeur automatique

HBP: Contre-pression élevée; Climatiseur, machine à glaçons

Condition du test LBP ASHRAE:

Température d'Evaporation: -23,3 ° C

Température de condensation: 54,4 ° C

Température de sous-refroidissement: 32,2 ° C

Température ambiante: 32,2 ° C

MBP ASHRAE Condition de test:

Evaporation Température: -5 ° C

Température de condensation: 54,4 ° C

Température ambiante: 35 ° C

Sous-refroidissement température: 46,1

température d' aspiration: 35 ° C

RAP état ASHRAETest:

Evaporation température: 7.2° C

condensation température: 54.4° C

température ambiante: 35 ° C

sous – refroidissement température: 46.1° C

aspiration température: 35 ° C

Paramètre Plage de variation:

Capacité de refroidissement: ≥ 95 %

Puissance d'Inpurt: ≤ 115%

Courant: ≤ 110%

COP: ≥ 95%

Type de refroidissement:

S: refroidissement naturel

F1: refroidissement par ventilateur, diamètre du ventilateur de 200 mm, vitesse de l'air de 1,5 m / s

F2: refroidissement par ventilateur, diamètre du ventilateur de 200 mm, vitesse de l'air de 3 m / s

Conditions de test

Evap. Temp.: -23,3 ° C
Cond. Temp.: 54,4 ° C
Amb. Temp.: 32,2 ° C
Aspiration. Temp .: 32,2 ° C
Temp. De sous-refroidissement: 32,2 ° C

LBP ASHRAE

Modèle: QD75H
Alimentation: 220-240V / 50Hz
Cylindrée (cm³): 7,5
Capacité de refroidissement (W): 180
Puissance nominale (W): 164
Puissance nominale (HP): 1/5
COP (W / W): 1,097

Courant

nominal (A): 1,35 Type de moteur:
Condensateur RSIR (µ F): /
Relais de démarrage: Relais d'application
Type de refroidissement: S
Emballage (PCS / palette): 100

1 × 20'FCL (PCS): 2000

Caractéristiques

1. Petite taille,
2. Haute efficacité et fiabilité
3. Performance de départ fiable
4. Faible son et vibration

1. Application LBP, utilisé pour la fontaine à boire, le réfrigérateur, le congélateur, l'armoire à alcool, la machine à glaçons et d'autres machines de réfrigération de taille moyenne et petite.

2. 220V-240V / 50-60HZ
3. utiliser le réfrigérant R134a
4. avec certification CCC / CE / VDE

Compresseurs 220V-240V / 50-60HZ: La série WT se caractérise principalement par une forte capacité de charge, de bonnes performances de démarrage, un faible bruit et une bonne fiabilité La

série WT est dans une structure de bielle et de manivelle entièrement fermée et avec piston alternatif en mode d'aspiration semi-directe

PARAMÈTRE DE PERFORMANCE DU COMPRESSEUR R134a-LBP

		Evap. Température: -23,3 ° C	Cond. Température: 54,4 ° C
Compresseur à faible contre-pression (LBP) Wansheng R134a	Conditions d'essai	Amb. Température: 32,2 ° C	Succion. Température: 32,2 ° C
		Temp de sous-refroidissement: 32,2 LBP ASHRAE ° C	

Modèle	Déplacement (cm³)	Capacité de refroidissement (W)	Puissance nominale (W)	Puissance nominale (HP)	COP (W / W)	Type de moteur	Condensateur (µF)	Relais de départ	Type de refroidissement
--------	-------------------	---------------------------------	------------------------	-------------------------	-------------	----------------	-------------------	------------------	-------------------------

Série WT 220-240V / 50-60Hz

QD75H 7,5 180/200 150/154 1/5 1,2 / RSIR / 1,3 PTC S

Compresseur de réfrigération série QD R134a (220V-240V / 50Hz)

Modèle	Déplacer (cm3)	Moteur type	Refroidissement type	Capacité							FLIC (W / W)	Moteur contribution (w)	Charge d'huile (cm3)
				-35 °	-30 °	-25 °	-23,3 °	-20 °	-15 °	-23,3 °			
QD25H	2,5	RSIR	S	32	45	58	65	85	105	0,85	76	140	
QD30H	3	RSIR	S	38	53	68	76	98	120	1	76	140	
QD35H	3,5	RSIR	S	45	60	79	88	115	140	1	88	140	
QD43H	4.3	RSIR	S	57	80	103	115	150	185	1.1	105	160	
QD52H	4,9	RSIR	S	68	95	122	136	176	218	1,18	115	160	
QD59H	5.5	RSIR	S	79	110	143	158	205	253	1,3	122	180	
QD65H	6.2	RSIR	S	88	123	158	176	228	280	1,3	135	180	
QD75H	6,6	RSIR	S	98	136	176	195	253	312	1,3	150	180	
QD91H	8.3	RSIR	S / F	115	160	210	230	300	268	1,3	177	180	
QD110H	dix	RSIR	F	145	205	260	290	380	465	1,45	200	220	
QD128H	11,1	RSIR	F	165	230	298	330	430	530	1,43	230	220	
QD142H	13,5	CSIR	F	180	250	325	360	470	580	1,31	275	250	
QD158H	14,8	CSIR	F	195	275	350	390	505	625	1,26	310	250	

Points forts	
Type	Type de LBP
Tension (V)	220
Fréquence (Hz)	50/60
Capacité de refroidissement	
Kcal / h	155/172
W	180/200
Btu / h	614/682
Consommation d'énergie (W)	163/166
Réfrigérant	R134a
Spécifications générales	
Déplacement (CC)	7,0
EER Btu / Wh	3,77 / 4,11
Performance (selon ASHRAE)	ASHARE-23.3°/54.4°@50Hz

HP (50 Hz)	1/5
Déplacement (cm ³)	7,0
Capacité (W)	180/195
COP (w / w)	1,1 * 1,2
Type de moteur	RSIR
Appareil de démarrage	PTC
Refroidissement	S
Application	R134a LBP
(V / Hz)	220V 50Hz / 60Hz

Compresseur de réfrigérateur 1 / 5HP R134A pour réfrigérateur

Compresseur AC: R134A Hermetic LBP Piston Reciprocationg

Modèle de compresseur : QD75H

Alimentation: 220 ~ 240V / 50Hz

Déplacement: 7.5CC

Capacité de refroidissement: 180W

Puissance nominale: 150W

Puissance nominale: 1 / 5HP

COP: 1,2 W / W

Type de moteur: Relais de
démarrage RSIR :

Type de refroidissement PTC : S

Application: LBP

Certification: CE

1x20'FCL: 1920PCS

Application:

LBP: Faible contre-pression; Réfrigérateur, congélateur, cave à vin

MBP: Contre-pression moyenne; Climatiseur, distributeur automatique

HBP

:

Contre -pression élevée: Climatiseur, machine à glaçons Condition du test LBP

ASHRAE: Evaporation Température: -23,3 ° C

Température de condensation: 54,4 ° C

Température de sous-refroidissement: 32,2 ° C

Température ambiante: 32,2 ° C

MBP ASHRAE Condition d'essai:

Evaporation Température: -5 ° C

Température de condensation: 54,4 ° C

Température ambiante: 35 ° C

Température de sous-refroidissement: 46,1

Température d'aspiration: 35 ° C

HBP ASHRAE Test condition:

Evaporation Température: 7,2 ° C

Température de condensation: 54,4 ° C

Température ambiante: 35 ° C

Température de sous-refroidissement: 46,1 ° C

Température d'aspiration: 35 ° C

Plage de variation des paramètres:

Capacité de refroidissement: $\geq 95\%$

Puissance absorbée: $\leq 115\%$

Courant: $\leq 110\%$

COP: $\geq 95\%$

Type de refroidissement:

S: refroidissement naturel

F1: Ventilateur de refroidissement, diamètre du ventilateur 200 mm, vitesse de l'air de 1,5 m / s

F2: Refroidissement du ventilateur, diamètre du ventilateur de 200 mm, vitesse de l'air de 3 m / s



QD75H



220-240V~50/60Hz 1PH

R134a

NO. 2002505



RoHS

CB



CE

Hangzhou Qianjiang Refrigeration Group Co.,Ltd

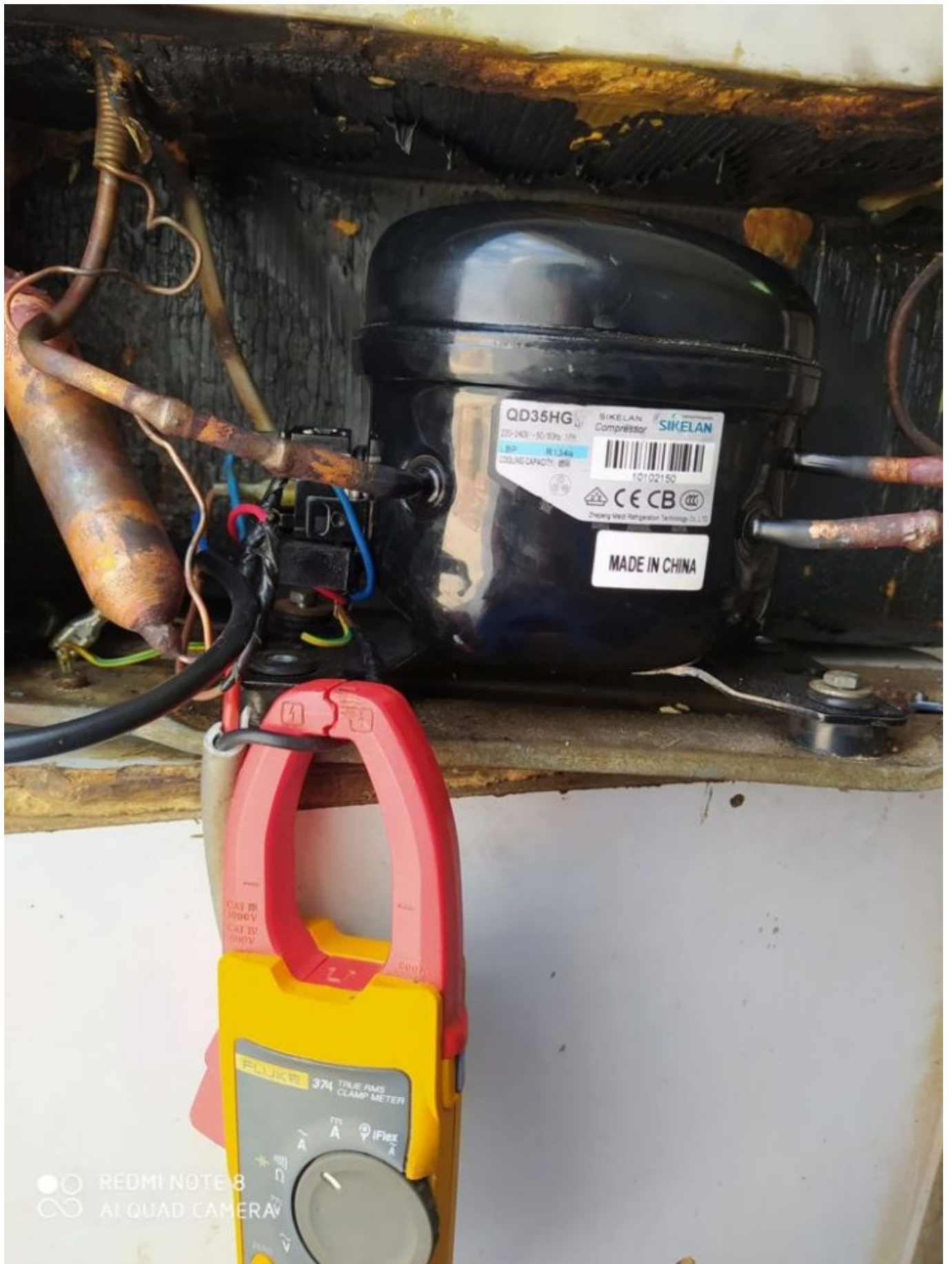


Private Picture Copyright : WWW.MBSM.PRO

QD35HG, 1/11 HP, 220V, SIKELAN,
R134a, mini congélateur, petit bar
réfrigérateur, réfrigérateur
distributeur, refroidisseur d'eau,
série L, RSIR, 75 w

Category: compressor

written by www.mbsm.pro | 9 December 2021



Private Picture Copyright : WWW.MBSM.PRO

1.Product Performance

- 1) QD35HG, série L , utilisez le réfrigérant R134A;

- 2) Application de tension 220V à 240V;
- 3) Fréquence pour 50 / 60HZ;
- 4) Type de moteur: RSIR;
- 5) Type de refroidissement: ST;
- 6) Le dispositif de démarrage est le relais PTC;
- 7) Application: basse contre-pression;
- 8) La puissance nominale est de 1 / 11HP;
- 9) Le COP est de 1,05 avec une capacité de refroidissement de 75 W.

Selon les conditions de test (ASHRAE)

Température d'évaporation: -23,3 degrés

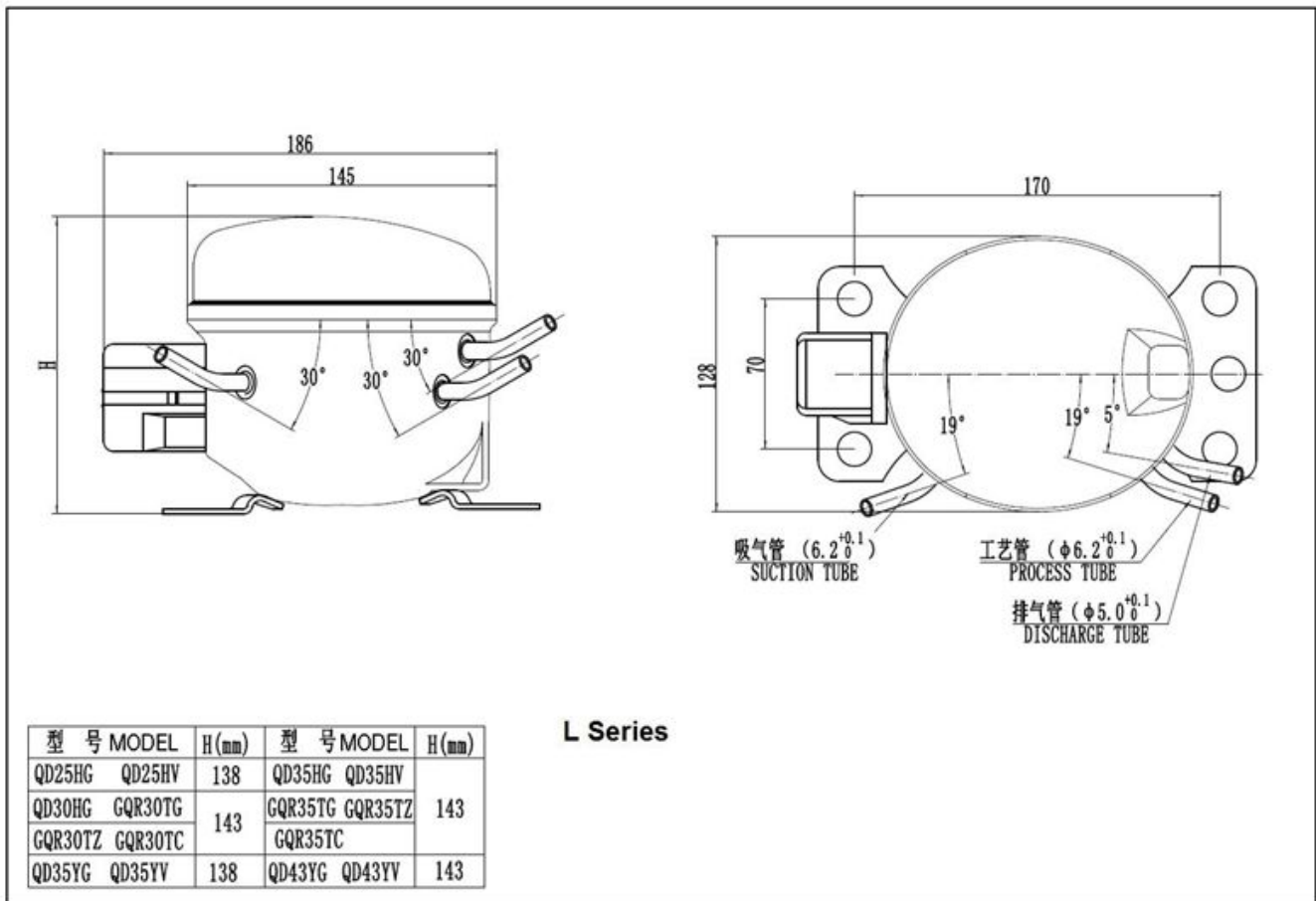
Température ambiante: 32,2 degrés

Température de sous-refroidissement: 32,2 degrés

Température de condensation: 54,4 degrés

Température d'aspiration: 32,2 degrés

Serial	Model	HP	V/Hz	Dispt (cm ³)	Cooling Capacity (ASHRAE)						Motor type	Starting Device	Starting capacitor (uF)	Running capacitor (uF)	Cooling Type
					Test Conditions: -23.3°C (-10F)										
					Capacity (W)	Capacity (Btu/h)	Input Power (W)	Current (A)	COP	EER					
L	QD25HG	1/12	220- 240V/50 -60Hz	2.5	55	188	52	0.55	1.05	3.61	RSIR	PTC Starting Relay	/	/	ST
	QD30HG	1/12		3.0	65	222	62	0.63	1.05	3.58	RSIR		/	/	ST
	QD35HG	1/11		3.5	75	256	71	0.68	1.05	3.60	RSIR		/	/	ST
	ADW43	1/6-		4.3	110	375	100	1.0	1.1	3.75	RSIR		/	/	ST
	ADW51	1/6		5.1	125	427	104	1.1	1.2	4.10	RSIR		/	/	ST
	ADW57	1/5-		5.7	135	461	112	1.15	1.2	4.11	RSIR		/	/	ST
MS	ADW43	1/6-		4.3	110	375	100	1.0	1.1	3.75	RSIR	PTC/ Current Starting Relay	/	/	ST
	ADW51	1/6		5.1	125	427	104	1.1	1.2	4.10	RSIR		/	/	ST
	ADW57	1/5-		5.7	135	461	112	1.15	1.2	4.11	RSIR		/	/	ST
	ADW66	1/4-		6.6	165	563	132	1.2	1.25	4.27	RSIR		/	/	ST
	ADW77	1/4		7.7	185	631	148	1.4	1.25	4.27	RSIR		/	/	ST
	ADW86	1/4+		8.6	200	682	160	1.45	1.25	4.27	RSIR		/	/	ST
	ADW91	1/3-		9.1	220	751	176	1.65	1.25	4.27	RSIR		/	/	ST
MK	ADW66	1/4-		6.6	165	563	132	1.2	1.25	4.27	RSIR	Current Starting Relay	/	/	ST
	ADW77	1/4		7.7	185	631	148	1.4	1.25	4.27	RSIR		/	/	ST
	ADW86	1/4+		8.6	200	682	160	1.45	1.25	4.27	RSIR		/	/	ST
	ADW91	1/3-		9.1	220	751	176	1.65	1.25	4.27	RSIR		/	/	ST
	ADW110	3/8		11.0	270	921	215	2.05	1.25	4.28	RSIR		/	/	F
	ADW91	1/3-		9.1	220	751	176	1.65	1.25	4.27	RSIR		/	/	F
WQ	ADW110	3/8		11.0	270	921	215	2.05	1.25	4.28	RSIR	Current Starting Relay	/	/	F
	ADW128	3/8+	12.8	320	1092	256	2.3	1.25	4.27	CSIR	80		/	F	
	ADW142	1/2-	14.2	350	1194	280	2.6	1.25	4.27	CSIR	80		/	F	
	ADW153	1/2	15.3	380	1297	304	2.8	1.25	4.27	CSIR	80		/	F	



Private Picture Copyright: WWW.MBSM.PRO

1. Product Performance

- 1) QD35HG, série L, utilisez le réfrigérant R134A;
- 2) Application de tension 220V à 240V;
- 3) Fréquence pour 50 / 60HZ;
- 4) Type de moteur: RSIR;
- 5) Type de refroidissement: ST;
- 6) Le dispositif de démarrage est le relais PTC;
- 7) Application: basse contre-pression;
- 8) La puissance nominale est de 1/11 HP;
- 9) Le COP est de 1,05 avec une capacité de refroidissement de 75 W.

Ce modèle a passé les certificats CB / VDE et les personnages principaux comme ci-dessous

- 1) Petite taille;
- 2) haute efficacité et fiabilité;
- 3) faible bruit et vibration;
- 4) appliqué au mini réfrigérateur, au distributeur d'eau, etc.

basé sur la condition d'essai (ASHRAE)

- température d'évaporation: -23,3 degrés
- Température ambiante: 32,2 degrés
- Température de sous-refroidissement: 32,2 degrés
- Température de condensation: 54,4 degrés
- Température d'aspiration: 32,2 degrés

2. Spécifications du compresseur

En série	Modèle	Tension / Fréquence (V / Hz)	Déplacement (cm ³)	Capacité de refroidissement ASHRAE										Type de moteur	Dispositif de démarrage	Condensateur de démarrage (uF)	Condensateur de fonctionnement (uF)	Type de refroidissement												
				-35 ° C (-31F)			-30 ° C (-22F)			-25 ° C (-13F)			Conditions d'essai: -23,3 ° C (-10F)						-20 ° C (-4F)		-15 ° C (5F)		-10 ° C (10 F)		-5 ° C (23 F)		0 ° C (32 F)			
				W	Btu / h	Btu / h	Capacité (h)	Capacité (h)	Puissance (W)	Courant (A)	FLICEER	W	Btu / h						W	Btu / h	W	Btu / h	W	Btu / h	W	Btu / h	W	Btu / h	W	Btu / h
L	QD25HG1/12		2,5	25	85	33	11342	14355	188	52	0,55	1,053,6169	235	86	293	107365	134457	168	573	RSIR	/	/	ST							
	QD30HG1/12		3,0	30	10239	13350	17165	222	62	0,63	1,053,5881	276	102348	127433	159543	198	676	RSIR	/	/	ST									
	QD35HG1/11		3,5	34	11644	15058	19875	256	71	0,68	1,053,6094	321	117399	147502	183624	229	781	RSIR	/	/	ST									
	ADW43 1/6		4,3	50	17165	22285	290110	375	100	1,0	1,1	3,75138471	172587	215734	269918	336	1146	RSIR	Relais de démarrage PTC	/	/	ST								
	ADW51 1/6		5,1	57	19474	25296	328125	427	104	1,1	1,2	4,10156532	195665	244833	3051041382	1303	RSIR	/	/	ST										
	ADW57 1/5		5,7	62	21280	273104355135	461	112	1,15	1,2	4,11170580	211720	264901	3301126412	1406	RSIR	/	/	ST											
	ADW43 1/6		4,3	50	17165	22285	290110	375	100	1,0	1,1	3,75138471	172587	215734	269918	336	1146	RSIR	/	/	ST									
	ADW51 1/6		5,1	57	19474	25296	328125	427	104	1,1	1,2	4,10156532	195665	244833	3051041382	1303	RSIR	/	/	ST										
	ADW57 1/5		5,7	62	21280	273104355135	461	112	1,15	1,2	4,11170580	211720	264901	3301126412	1406	RSIR	/	/	ST											
SP	ADW66 1/4		6,6	75	25698	334127433165	563	132	1,2	1,254,27206703	258880	32210994031375504	1720	RSIR	/	/	ST													
	ADW77 1/4		7,7	84	287109372142405185	631	148	1,4	1,4	1,254,27231788	289986	36112324521542565	1928	RSIR	/	/	ST													
	ADW86 +		8,6	91	3101184031154525200	682	160	1,45	1,45	1,254,27250853	313106839113344881665610	2081	RSIR	/	/	ST														
	ADW91 1/3		9,1	100341130444169577220	751	176	1,65	1,65	1,254,27275938	344117443014675371832671	2289	RSIR	/	/	ST															
	ADW43 1/6	220 à 240,3 V / 50 à 60 Hz	4,3	50	17165	22285	290110	375	100	1,0	1,1	3,75138471	172587	215734	269918	336	1146	RSIR	/	/	ST									
	ADW51 1/6		5,1	57	19474	25296	328125	427	104	1,1	1,2	4,10156532	195665	244833	3051041382	1303	RSIR	Relais de démarrage PTC / courant	/	/	ST									
LM	ADW57 1/5		5,7	62	21280	273104355135	461	112	1,15	1,2	4,11170580	211720	264901	3301126412	1406	RSIR	/	/	ST											
	ADW66 1/4		6,6	75	25698	334127433165	563	132	1,2	1,254,27206703	258880	32210994031375504	1720	RSIR	/	/	ST													
	ADW77 1/4		7,7	84	287109372142485185	631	148	1,4	1,4	1,254,27231788	289986	36112324521542565	1928	RSIR	/	/	ST													
	ADW66 1/4		6,6	75	25698	334127433165	563	132	1,2	1,254,27206703	258880	32210994031375504	1720	RSIR	/	/	ST													
	ADW77 1/4		7,7	84	287109372142485185	631	148	1,4	1,4	1,254,27231788	289986	36112324521542565	1928	RSIR	/	/	ST													
MK	ADW86 +		8,6	91	3101184031154525200	682	160	1,45	1,45	1,254,27250853	313106839113344881665610	2081	RSIR	/	/	ST														
	ADW91 1/3		9,1	100341130444169577220	751	176	1,65	1,65	1,254,27275938	344117443014675371832671	2289	RSIR	/	/	ST															
	ADW1103/8		11,0	123420160546208710270	921	215	2,05	2,05	1,254,283381153422144052717986592249824	2811	RSIR	/	/	F																
	ADW91 1/3		9,1	100341130444169577220	751	176	1,65	1,65	1,254,27275938	344117443014675371832671	2289	RSIR	/	/	F															
	ADW1103/8		11,0	123420160546208710270	921	215	2,05	2,05	1,254,283381153422144052717986592249824	2811	RSIR	/	/	F																
WQ	ADW128 3/8		12,8	146498189645246839320	1092	256	2,3	2,3	1,254,274001365500170662521337812665977	3334	CSIR	Relais de démarrage actuel	80	/	/	F														
	ADW142 1/2		14,2	159543207706269918350	1194	280	2,6	2,6	1,254,27438149454718666842334855291710683644	CSIR	80	/	/	F																
	ADW1531/2		15,3	17359022576829996380	1297	304	2,8	2,8	1,254,27475162159420277422532828282511603958	CSIR	80	/	/	F																



Tecumseh ,Compressor Az1355D, 1/6Hp , R12 ,réfrigérateur

Category: Technologie,Tester ok

written by www.mbsm.pro | 9 December 2021

Tecumseh ,Compressor Az1355D, 1/6Hp , R12 ,réfrigérateur

Danfoss ,Fridge Compressor ,NL7FT , 1/4 HP ,R134a

Category: Non classé,Technologie,Tester ok

written by www.mbsm.pro | 9 December 2021

Danfoss ,Fridge Compressor ,NL7FT , 1/4 HP ,R134a

www.mbsm.pro, Danfoss SC12G 104G8240 ,Refrigerator 1/3 HP++, R134a, HMBP, Compressor, Cooling solution for Refrigerators

Category: Technologie,Tester ok

written by www.mbsm.pro | 9 December 2021

DANFOSS Compressor SC12G SC12G220-240/1/50 VOLTS1/3 HP R134a

If you need to replace a compressor in a refrigerator, you need to choose the right analogue

Category: Développement,expertise

written by www.mbsm.pro | 9 December 2021



Private Picture Copyright : WWW.MBSM.PRO

If you need to replace a compressor in a refrigerator, you need to choose the right analogue

**Compressor, 95 W, refrigerator,
Embraco, EMIE 40 HJP, EMIE40HJP, (3.4
cubic meters), R-134a, Brazil**

Category: compressor

written by www.mbsm.pro | 9 December 2021

WWW.MBSM.PRO



Private Picture Copyright : WWW.MBSM.PRO

Compressor, 95 W, refrigerator, Embraco, EMIE 40 HJP, EMIE40HJP, (3.4 cubic meters), R-134a, Brazil