

Mbsm.pro, SL12Y-5, Daewoo, Refrigeration ,Compressor, 1/10 HP, 220v 60hz, R12

Category: pro

written by www.mbsm.pro | 2 September 2022



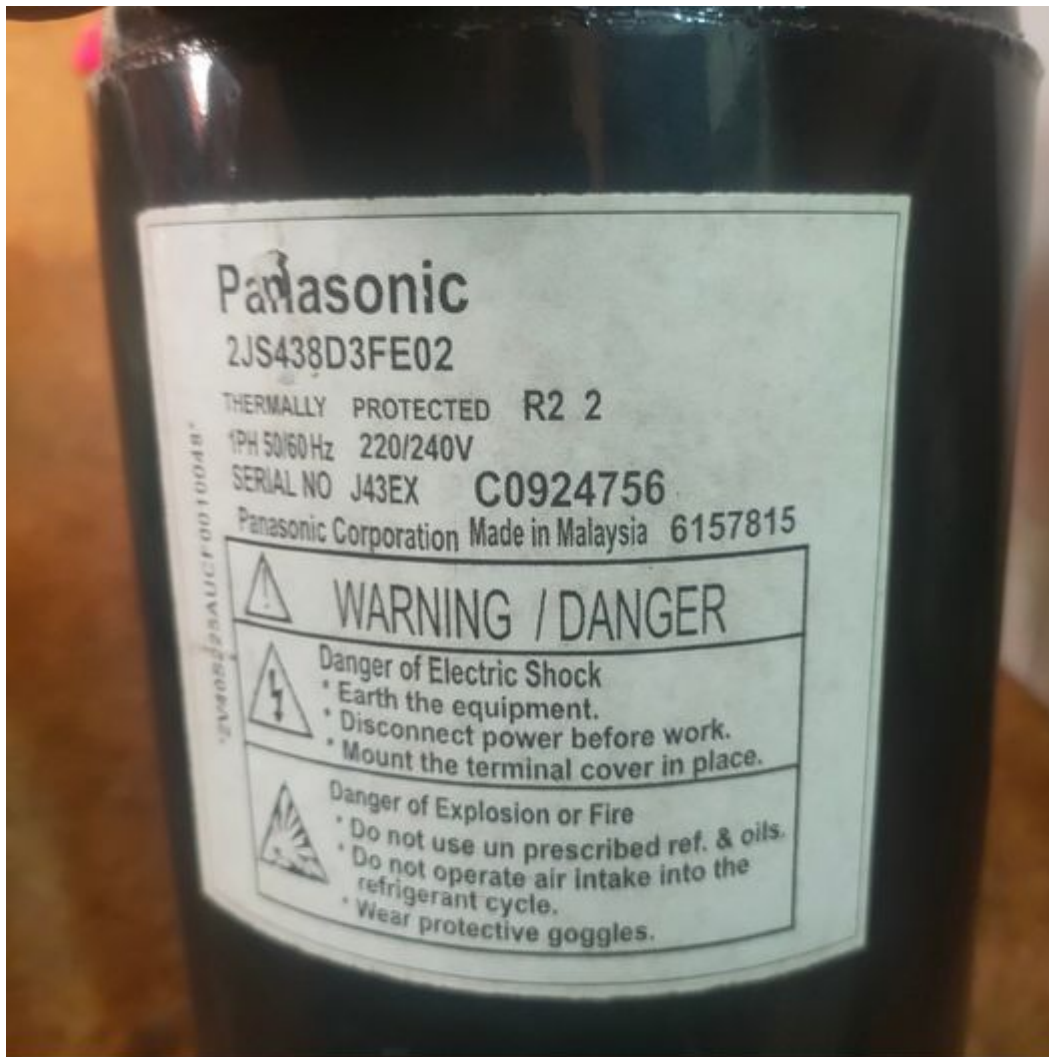
Private Picture Copyright : WWW.MBSM.PRO

Mbsm.pro, SL12Y-5, Daewoo, Refrigeration ,Compressor, 1/10 HP, 220v 60hz, R12

Mbsm.pro, 3HP, Panasonic, Compressor, Air Conditioner, 2js438d3fe02, j43ex, 18000BTU, 2 ton, 3hp, r22, Malaysia Panasonic

Category: compressor

written by www.mbsm.pro | 2 September 2022



Private Picture Copyright : WWW.MBSM.PRO

Mbsm.pro, 3HP, Panasonic, Compressor, Air Conditioner, 2js438d3fe02, j43ex, 18000BTU, 2 ton, 3hp, r22, Malaysia Panasonic

Mbsm.pro, Compressor, SAMSUNG, SK182H-L2U, 1/4 hp++, 1/3 hp -, 236 w, 806 BTu, Rscr, lbp, r134 a

Category: compressor

written by www.mbsm.pro | 2 September 2022



Private Picture Copyright : WWW.MBSM.PRO

Mbsm.pro, Compressor, SAMSUNG, SK182H-L2U, 1/4 hp++, 1/3 hp -, 236 w, 806 BTu, Rscr, lbp, r134 a

Mbsm.pro, Compressor, jiaxipera
Compressor, ZBH1122CY, 1/4++ hp, 1/3
hp

Category: compressor

written by www.mbsm.pro | 2 September 2022



Private Picture Copyright : WWW.MBSM.PRO

Mbsm.pro, Compressor, jiaxipera Compressor, ZBH1122CY, 1/4++ hp, 1/3 hp

**Mbsm,pro, air conditioner, Condor,
CsHR09-gcm1t1(0), 9000 btu, 4.5 A,
r22, 750 G, T1**

Category: air conditioner

written by www.mbsm.pro | 2 September 2022

Condor

مكيف هوائي منفصل - وحدة خارجية
Climatiseur Split-unité extérieure

Modèle	CSHR09-GCM1T1(0)		النوع
Voltage	220-240V~	جهد التيار	Refrroidissement
Fréquence	50Hz	التردد	سعة التبريد
Type du climat	T1	نوع المناخ	9000BTU/h
Poids	25kg	الوزن	Chauffage
Isolation	I	العزل	سعة التدفئة
Réfrigérant	R22	سائل التبريد	9800BTU/h
Charge réfri.	0.70kg	الكمية	Puissance Electr. au refroidiss.
Comp. LRA	21A	للضغوط	الطاقة الكهربائية للتبريد
Degré de protection	IP24	درجة الحماية	925W
Nuisance	50dB(A)	معيان الضوضاء	Puissance Electr. au chauffage
Pression de fonctionnement max admissible coté refoulement	2.5MPa	ضغط الطرد الأقصى	900W
Pression de fonctionnement max admissible coté aspiration	0.6MPa	ضغط السحب الأقصى	Puissance nominal refroid.
			1200W
			Puissance nominal chauff.
			1200W
			الطاقة القصوى للتدفئة

Fabriqué en Algérie

صنع في الجزائر



Private Picture Copyright : WWW.MBSM.PRO

Mbsm.pro, air conditioner, Condor, CSHR09-gcm1t1(0), 9000 btu, 4.5 A, r22, 750 G, T1

Mbsm.pro, ice maker, ZBP-60, 16 kg, Generalco, 400 w, r134a, 170g, 2.6 a

Category: pro

written by www.mbsm.pro | 2 September 2022

Mbsm.pro, ice maker, ZBP-60, 16 kg, Generalco, 400 w, r134a, 170g, 2.6 a

Mbsm.pro, LG, SPLITROOM, AIR CONDITIONER, BMPU19K, 19000 btu, r410, 1400 g

Category: air conditioner

written by www.mbsm.pro | 2 September 2022



Private Picture Copyright : WWW.MBSM.PRO

Mbsm.pro, LG, SPLITROOM, AIR CONDITIONER, BMPU19K, 18000 btu

Mbm.pro, Comprssor, UR8b180DTAeH, Samsung , R22,18000 btu, 8 A

Category: compressor

written by www.mbsm.pro | 2 September 2022



Private Picture Copyright : WWW.MBSM.PRO

Mbm.pro, Comprssor, UR8b180DTAeH, Samsung , R22,18000 btu

Mbsm.pro, Daewoo Compressor, YX58LHP5, R134a, 200 w, 1/4 hp, 683 BTU, Lbp, 95 G, Congélateur, CONDOR NOFROST, 375L

Category: compressor

written by www.mbsm.pro | 2 September 2022



Private Picture Copyright : WWW.MBSM.PRO

	JX58LHK4	5.84	161	170	198	675	1.06	1.23	4.19	CSIR	ST/FC	8.2	230
	JX58LHP4	5.84	139	170	198	675	1.22	1.42	4.85	RSCR	ST/FC	8.2	230
	JX58LHP4-K	5.85	155	170	198	675	1.10	1.28	4.35	RSCR	ST/FC	8.2	230
	JX58LHS4	5.84	150	170	198	675	1.13	1.32	4.50	RSIR	ST/FC	8.2	230
YH	HPL15YH-4	5.12	122	135	157	536	1.11	1.29	4.39	RSCR	ST/OC/FC	8.9	290
	HPL17YH-4	5.55	131	148	172	587	1.13	1.31	4.48	RSCR	ST/OC/FC	8.9	290
	HPL19YH-4	5.84	137	170	198	675	1.24	1.44	4.92	RSCR	ST/OC/FC	9.5	290
	HDL21YH-4	6.72	156	189	220	750	1.21	1.41	4.81	CSIR	ST/OC/FC	9.5	290
	HPL21YH-4	6.73	155	188	219	746	1.21	1.41	4.81	RSCR	ST/OC/FC	9.5	290
	HPL23YH-4	7.03	165	201	234	798	1.22	1.42	4.83	RSCR	ST/OC/FC	9.5	290
	HPL26YH-4	8.25	205	235	273	933	1.15	1.33	4.55	RSCR	ST/OC/FC	9.5	290
YX	YX46LHP4	4.62	104	125	145	496	1.20	1.40	4.77	RSCR	ST/OC/FC	8.8	290
	YX51LHP4	5.12	120	150	174	595	1.25	1.45	4.96	RSCR	ST/OC/FC	8.8	290
	YX51LHP4-K	5.12	128	144	168	572	1.12	1.31	4.46	RSCR	ST/OC/FC	8.8	290
	YX58LHP4	5.84	133	172	200	683	1.29	1.50	5.13	RSCR	ST/OC/FC	9.8	290
YG	HPL21YG-4	6.73	175	185	215	734	1.06	1.23	4.20	RSCR	ST/OC/FC	9.0	290
	HPL27YG-4A	8.69	232	250	291	992	1.08	1.25	4.28	RSCR	ST/OC/FC	9.5	290
	HPL30YG-4	9.92	247	283	329	1123	1.15	1.33	4.55	RSCR	ST/OC/FC	9.5	290

Private Picture Copyright : WWW.MBSM.PRO







Réfrigérateur Congélateur

Modèle F-430NC Classe T

Volume brut 375L

Volume utile compt denrées fraîche 242L

Volume utile compt basse température 90L

Voltage / Fréquence 220-240V - 50Hz

Puissance 0.8A

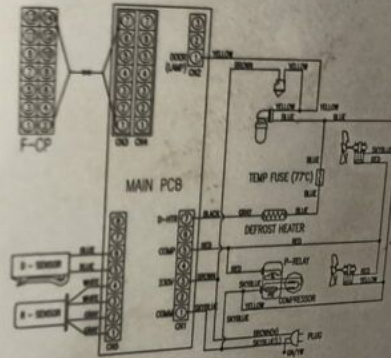
Puissance de dégivrage 180W

Puissance de lampe 25W*1

Réfrigérant R134a 95grs

N° de série

WIRING DIAGRAM



Note: 1. laissez au moins 5cm d'espace libre à l'arrière de l'appareil pour une bonne ventilation.
2. Après avoir débranché l'appareil, attendre 5 minutes avant de le rebrancher.

W341-S



Private Picture Copyright : WWW.MBSM.PRO

Mbsm_dot_pro_private_PDF_YX58LHP5-R134aTélécharger

Mbsm.pro, Hermetic compressor,
Aspera, Embraco, NEK6212Z, R134a, 1/2
hp , HBP

Category: compressor

written by www.mbsm.pro | 2 September 2022



Private Picture Copyright : WWW.MBSM.PRO

Mbsm.pro, Hermetic compressor, Aspera, Embraco, NEK6212Z, R134a, 1/2 hp , HBP