

www.mbsm.pro , Some Funny Electric pictures part1

Category: Pictures

written by mahdi miled | 12 August 2018

www.mbsm.pro , Some Funny Electric pictures part1

mbsm-dot-pro-picture-electric -funny1.jpg (37 KB)



mbsm-dot-pro-picture-electric -funny1.jpg (47 KB)



mbsm-dot-pro-picture-electric -funny2.jpg (63 KB)



mbsm-dot-pro-picture-electric -funny2.jpg (73 KB)



mbsm-dot-pro-picture-electric -funny3.jpg (121 KB)



mbsm-dot-pro-picture-electric -funny3.jpg (124 KB)



mbsm-dot-pro-picture-electric -funny4.jpg (145 KB)



mbsm-dot-pro-picture-electric -funny4.jpg (133 KB)



mbsm-dot-pro-picture-electric -funny5.jpg (117 KB)



mbsm-dot-pro-picture-electric -funny5.jpg (129 KB)



mbsm-dot-pro-picture-electric -funny6.jpg (23 KB)



mbsm-dot-pro-picture-electric -funny6.jpg (27 KB)



mbsm-dot-pro-picture-electric -funny7.jpg (62 KB)



mbsm-dot-pro-picture-electric -funny7.jpg (72 KB)



mbsm-dot-pro-picture-electric -funny8.jpg (31 KB)



mbsm-dot-pro-picture-electric -funny8.jpg (33 KB)



www.mbsm.pro , Quelle est la

différence entre le SDS PLUS et le SDS MAX ?

Category: Technologie

written by mahdi miled | 12 August 2018

Lorsque vous choisissez un outil, vous aurez donc le choix entre la fixation par mandrin classique (avec ou sans clé de serrage) et par mandrin SDS avec les variantes SDS PLUS et SDS MAX.

Attention, vos accessoires classiques ne seront pas adaptés aux système SDS et inversement ! Le système SDS accueille en effet des mèches/forets avec cannelures qui s'encastrent dans le mandrin et permettent une fixation plus fiable que les forets classiques qui finissent par «glisser dans le mandrin», particulièrement lors de gros travaux (forage / percussion sur de la pierre)

Mbsm Pro , Images De Plage , Chebba , Mahdia , Tunisia , Août 2018

Category: Voyage

written by www.mbsm.pro | 12 August 2018

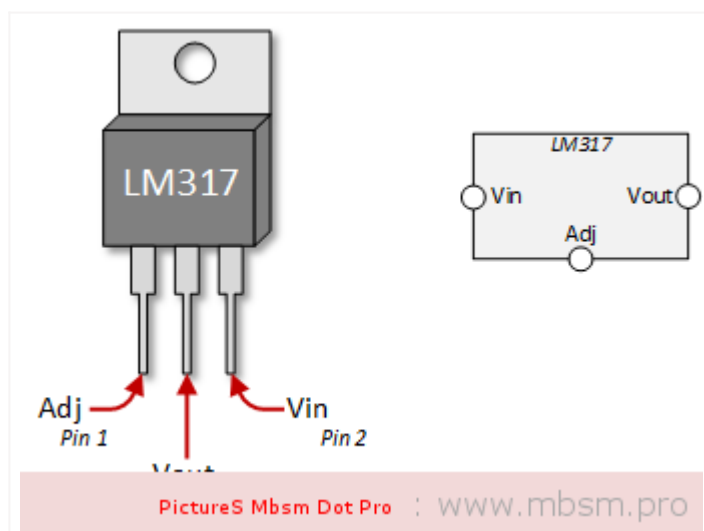
Mbsm Pro , Images De Plage , Chebba , Mahdia , Tunisia , Août 2018

Mbsm.pro , LM317 ,Voltage Regulator Pin Outs, Simple test, voltage regulators ics , Voltage regulator

Category: Développement,electronique

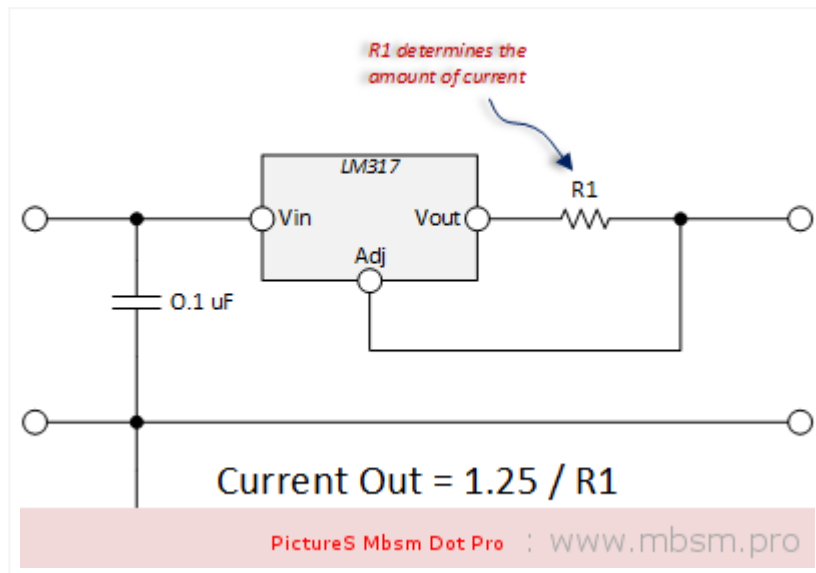
written by www.mbsm.pro | 12 August 2018

The LM317 is most commonly found in a TO220 package. It only has three pins and we will be using all of them in this tutorial.



The LM317 Voltage Regulator for Current Control

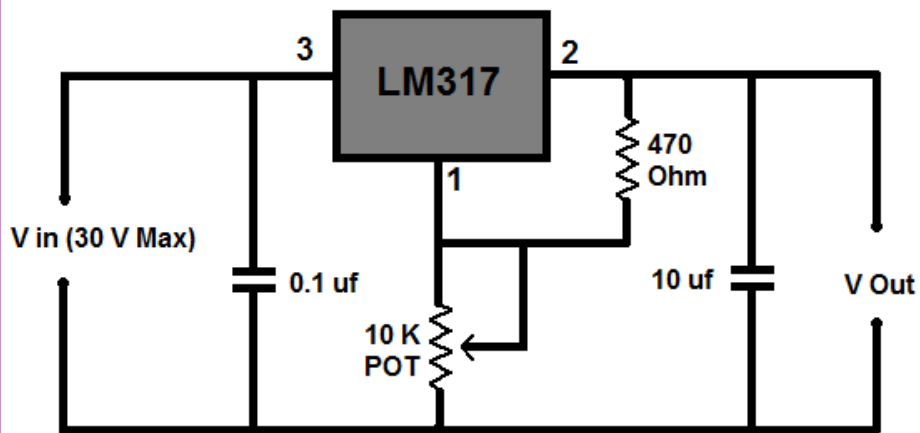
The use of an LM317 as a constant current source comes right from the data sheet. The schematic below shows how to configure the LM317 as a current regulator. It is the value of R1 that you will be concerned about and that value is determined by the type of LED you are using.



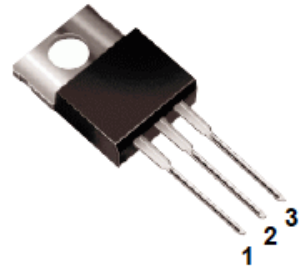
The math is really simple. The factor of 1.25 also comes from the data sheet. Let's walk through an example:

1. Lets say you wanted to control to 300 mA. You would determine that your optimum resistor is:
 $R1 = 1.25 / 0.300 = 4.17 \text{ Ohms}$
2. Next you're going to poke around in your box of resistors to see what you've got. You probably won't find that 4.17 Ohm resistor, so you will want to try something close. I had a 4.7 Ohm resistor.
3. Now you're going to want to apply the formula to see what that gets you.
Current Out = $1.25 / 4.7 = 266 \text{ mA}$.
4. Finally, we need to do a sanity check of the power rating of the resistor. Here we will use $I^2 \times R$ to get the power dissipated by the resistor.
Power Dissipated by Resistor = $0.266^2 \times 4.7 = 0.332 \text{ Watts}$ (a half watt resistor will do the trick)

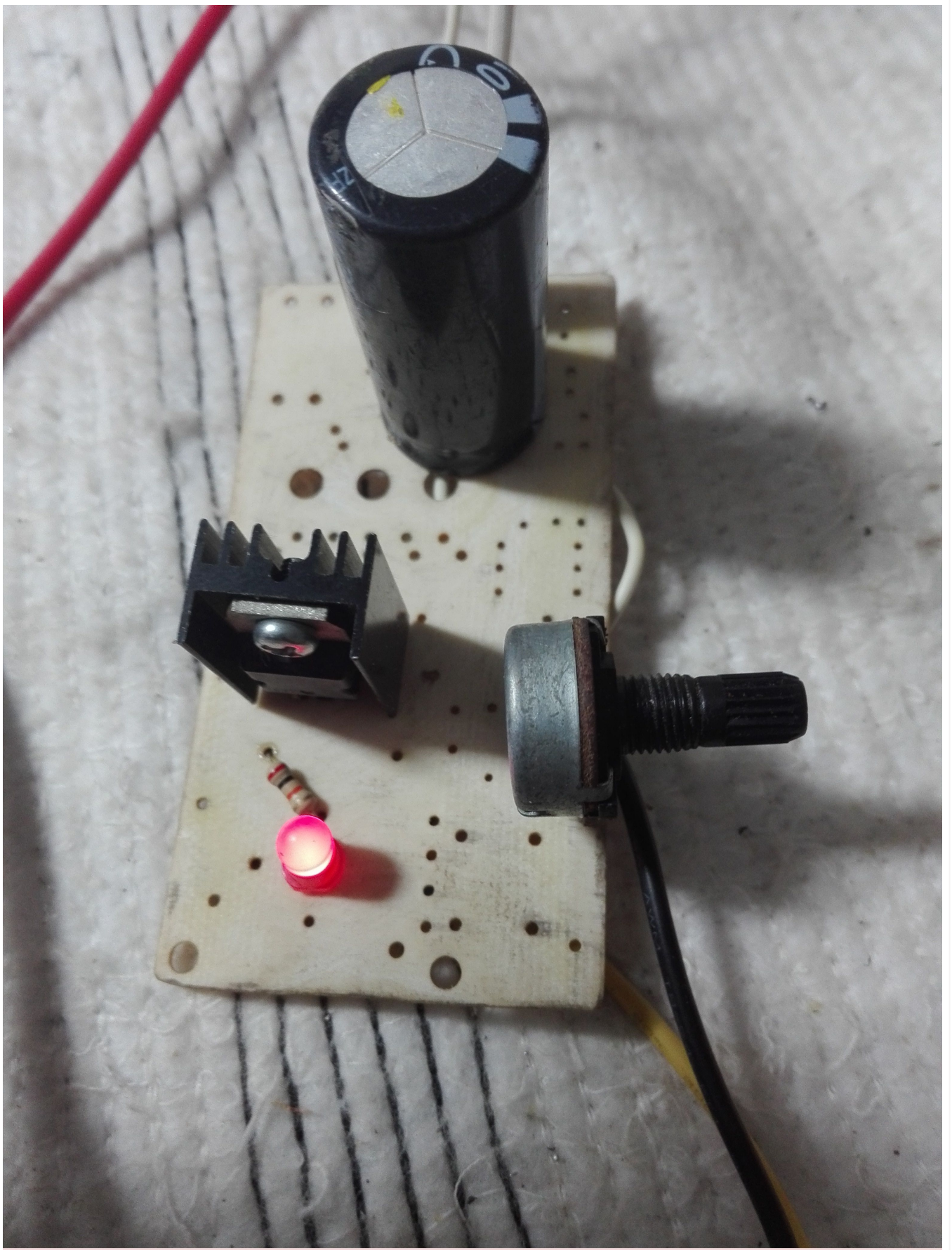
LM317 Variable Voltage Regulator Circuit..

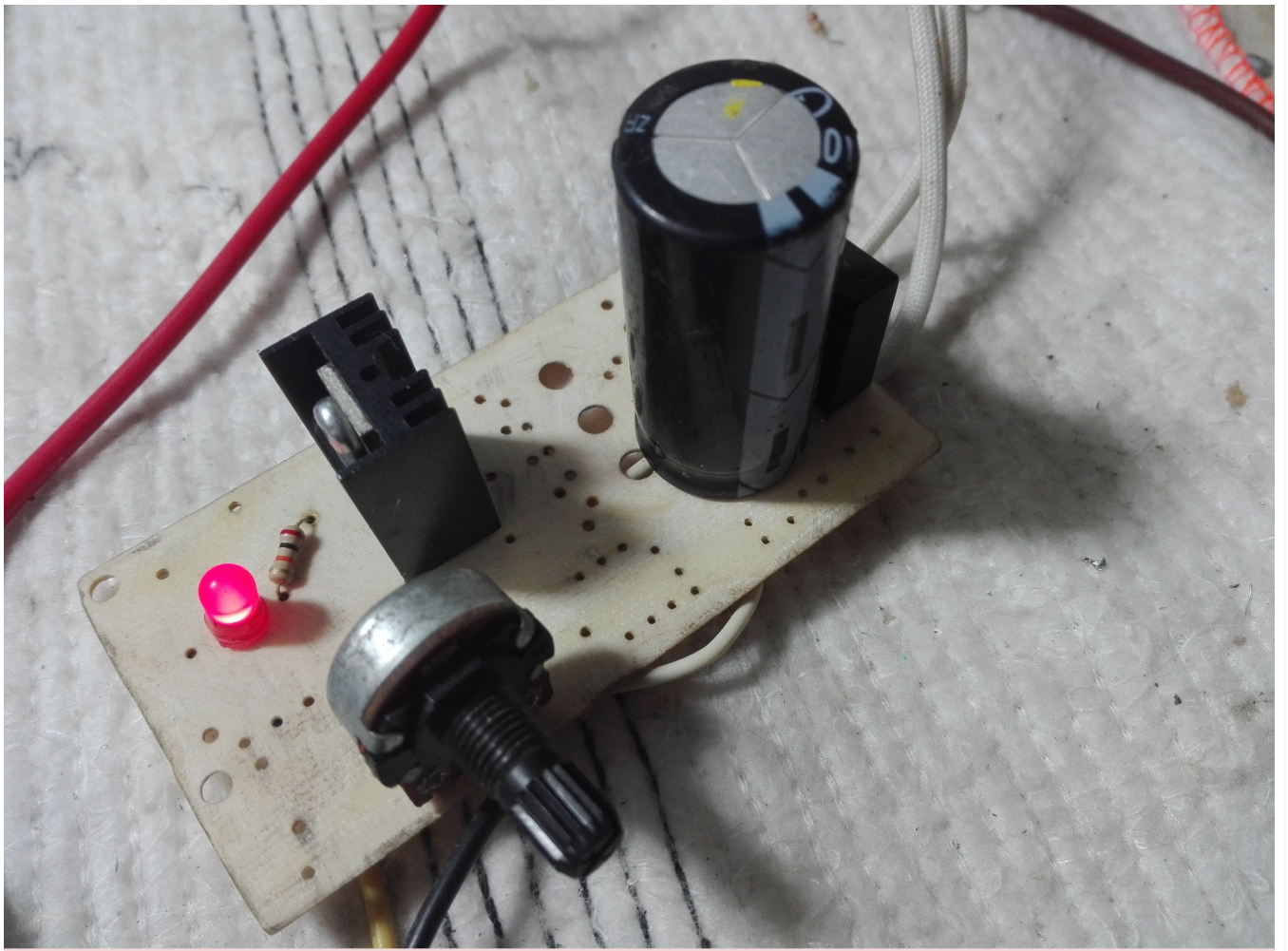


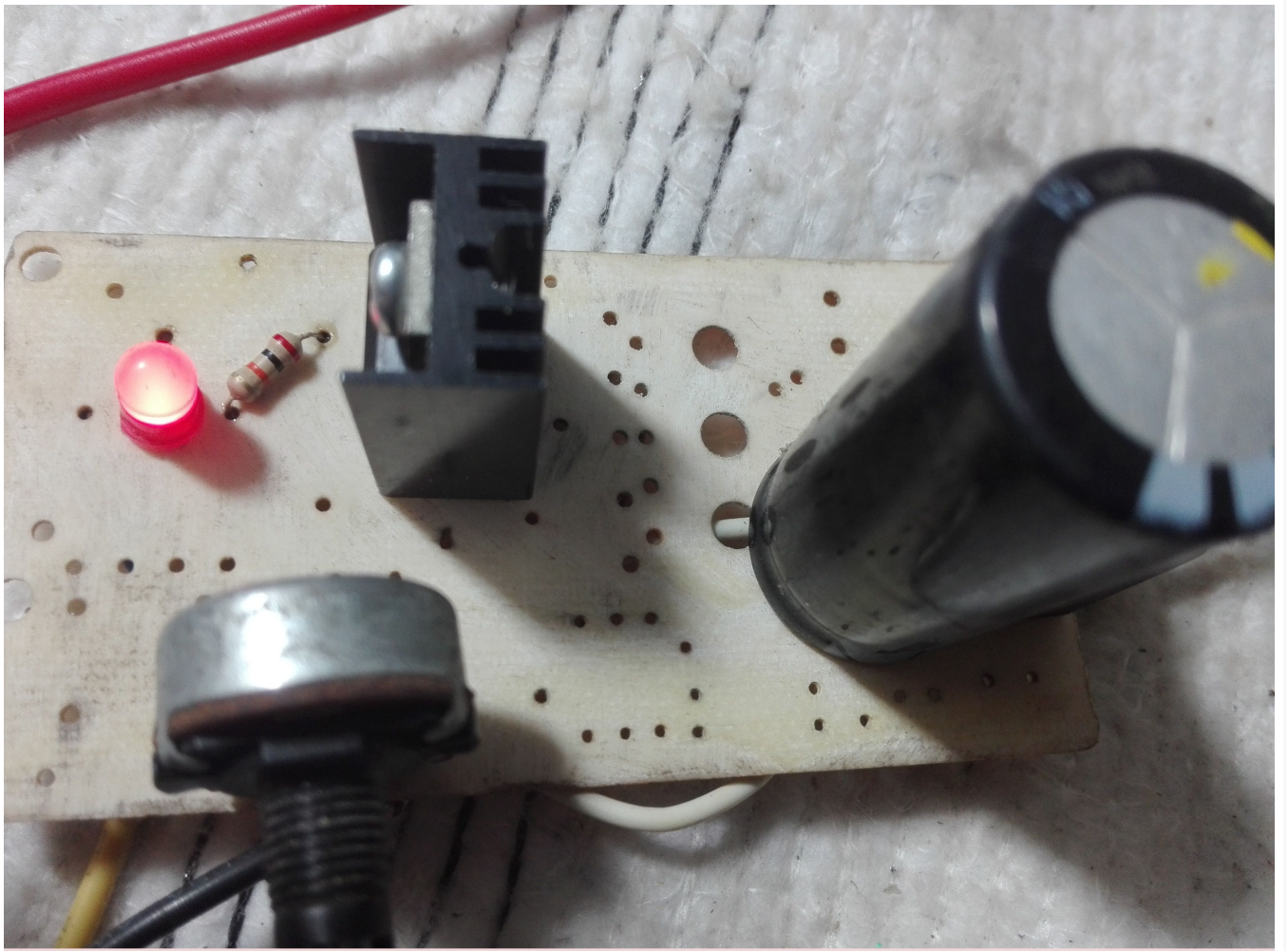
LM317
Pin Arrangement

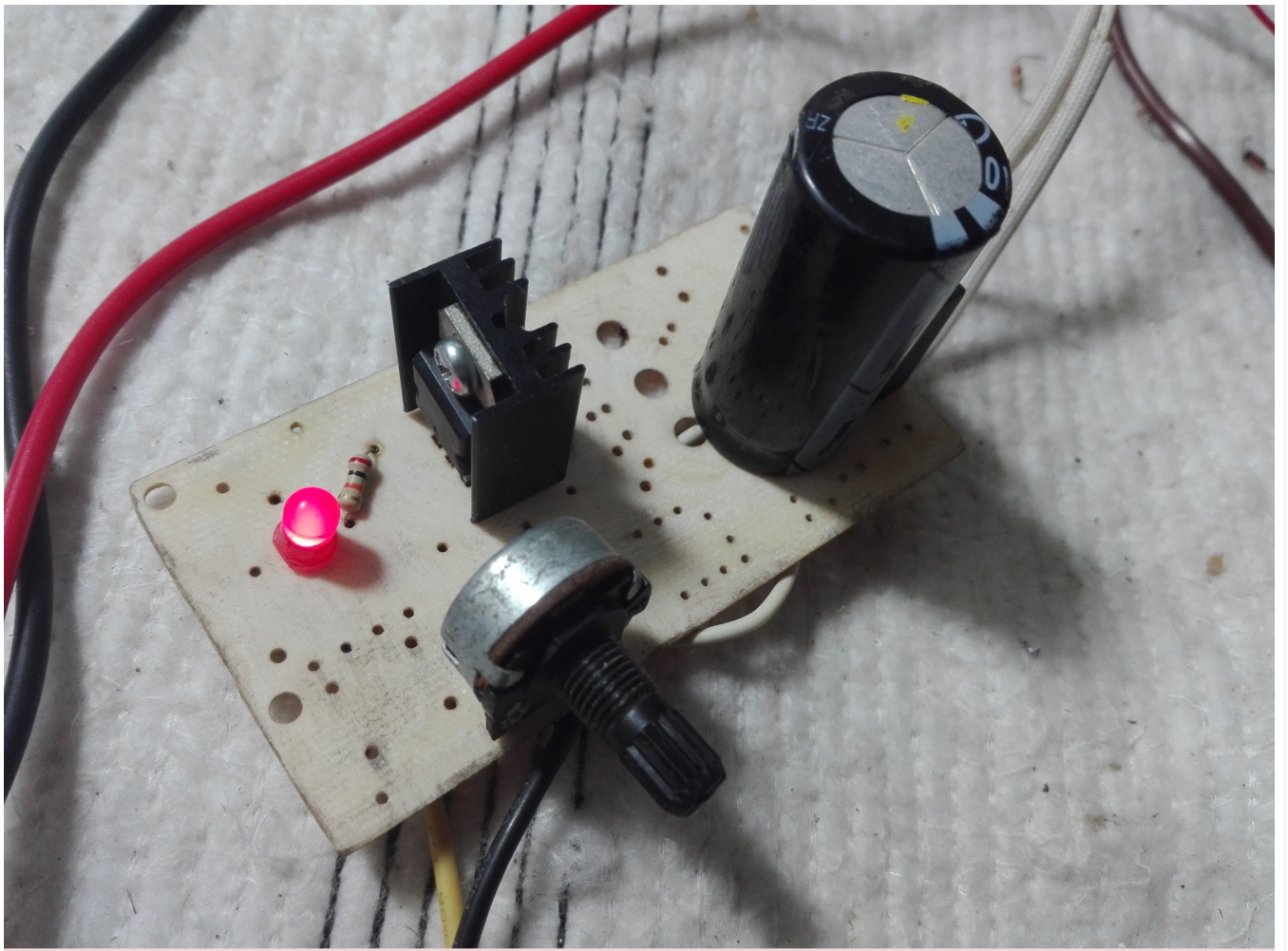


1. Adjust
 2. V_{out}
 3. V_{in}
- Heatsink is connected to pin 2







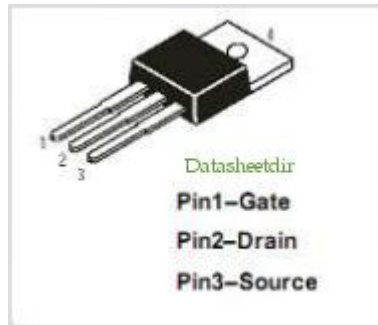




Mbsm.pro, IRF830 MOSFET , in power seplay , old Fortec star 3000

Category: Développement,electronique

written by www.mbsm.pro | 12 August 2018



Type Designator: IRF830

Type of Transistor: MOSFET

Type of Control Channel: N -Channel

Maximum Power Dissipation (Pd): 100 W

Maximum Drain-Source Voltage |Vds|: 500 V

Maximum Gate-Source Voltage |Vgs|: 20 V

Maximum Gate-Threshold Voltage |Vgs(th)|: 4 V

Maximum Drain Current |Id|: 4.5 A

Maximum Junction Temperature (Tj): 150 °C

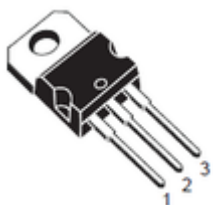
Drain-Source Capacitance (Cd): 800 pF

Maximum Drain-Source On-State Resistance (Rds): 1.5 Ohm

Package: T0220

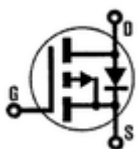
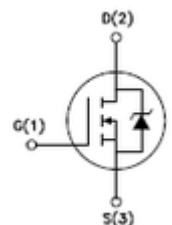
Use the motor voltage and current specifications (either from the data sheet or from experimentation) to determine which transistors to choose. Selecting transistors with greater capacity will provide a margin of safety in your design.

For the purposes of this tutorial, I am using motors specified at 6V where they draw approximately 130mA. I will choose transistors I happen to have in my parts box. If I didn't have anything on hand that would work, I would buy something that could handle 2X the voltage and current.



The **IRF830** is an E-Mode N-channel MOSFET rated at 500V with an continuous current rating of 4.5A and a pulsed current rating of 18A. This is more than adequate for these motors.

It also has an internal diode for back-EMF protection.

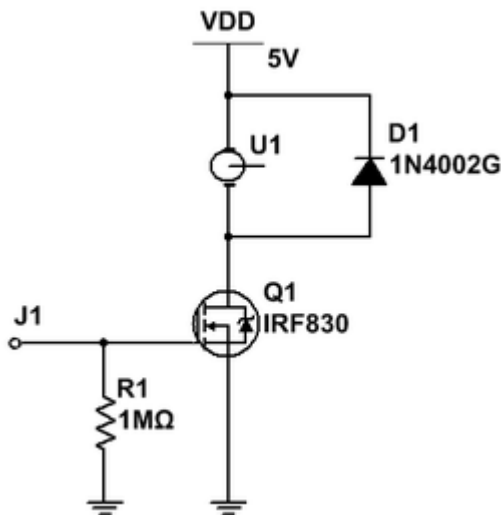


The **IRF9530** is an E-Mode P-channel MOSFET rated at 100V with a continuous current rating of 7.5A and a pulsed current rating of 48A. It is also more than adequate for my needs.

It also has an internal diode of back-EMF protection.

The pin out of the IRF9530 if the same as that of the IRF830 – **Gate = pin 1;**

Drain = pin 2; Source = pin 3 (when viewed from the front.)



Motor connected from +V to transistor

Always use an N-channel MOSFET when the transistor is directly connected directly to either -V or GND. In this configuration, the transistor's source pin sinks current from the motor directly back to the power supply. A HIGH on the Gate turns the transistor ON.

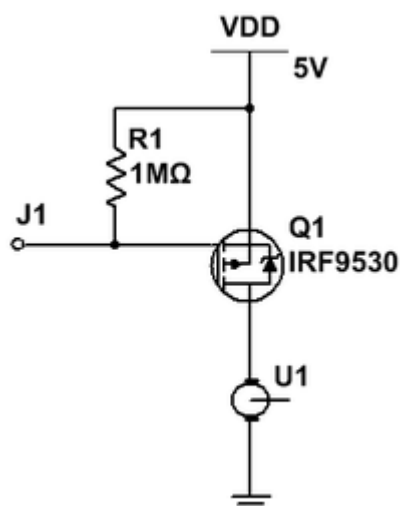
D1 is an added external diode to offer the transistor back-EMF protection. It is not required when using a transistor such as the IRF830 because it already has an internal diode for the same purpose. It is shown here simply to show how it should always be connected when using a transistor without an internal diode. It will be omitted from future circuits unless necessary.

R1 is a pull down resistor to ensure a LOW signal to the gate unless it is specifically driven HIGH.

Connections: Drain to motor; Source to GND; Gate to control device.

J1 (the MOSFET gate) is typically connected to a micro-controller pin. A HIGH signal turns the MOSFET ON energizing the motor; a LOW signal turns the MOSFET OFF stopping the motor – **LOW = motor OFF; HIGH = motor ON.**

The advantage of this circuit is its simplicity; the disadvantage of this circuit is that the motor can only turn in one direction making it suitable for controlling a fan or pump, but, not for a reversible robot.



Motor connected from transistor to -V/GND

Always use a P-channel MOSFET when the transistor is directly connected to +V. In this configuration, the transistor's drain pin channels current to the motor from where it will return to the power supply. A LOW on the Gate turns the transistor ON.

R1 is a pull up resistor to ensure a HIGH signal to the gate unless it is specifically driven LOW.

Connections: Drain to motor; Source to +V; Gate to control device.

J1 (the MOSFET gate) is typically connected to a micro-controller pin. A LOW signal turns the MOSFET ON energizing the motor; a HIGH turns the MOSFET OFF stopping the motor – **LOW = motor ON; HIGH = motor OFF.**

The advantage of this circuit is its simplicity; the disadvantage of this circuit is that the motor can only turn in one direction making it suitable for controlling a fan or pump, but, not for a reversible robot.

Depending upon desired motor response to specific logic levels, either of these circuits is well suited to function as described above.

Mbsm.pro, Retardateur d'ampérage de démarrage , Exécution de 3000 W sur un ampérage max 10 a

Category: Invention,Technologie

written by www.mbsm.pro | 12 August 2018

Mbsm.pro, Retardateur d'ampérage de démarrage , Exécution de 3000 W sur un ampérage max 10 a

$3000 \text{ w} = 3000 / 220 \text{ v} = 13.636 \text{ a}$

le but c'est démarrer une machine 3000 W sous un disjoncteur 10 A

$10 \text{ A} = 220 \text{ V} * 10 \text{ A} = 2200 \text{ W}$

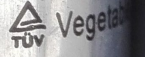
$3000 \text{ W} - 2200 \text{ W} = 800 \text{ w} = 800 \text{ W} / 220 \text{ V} = 3.636 \text{ A}$



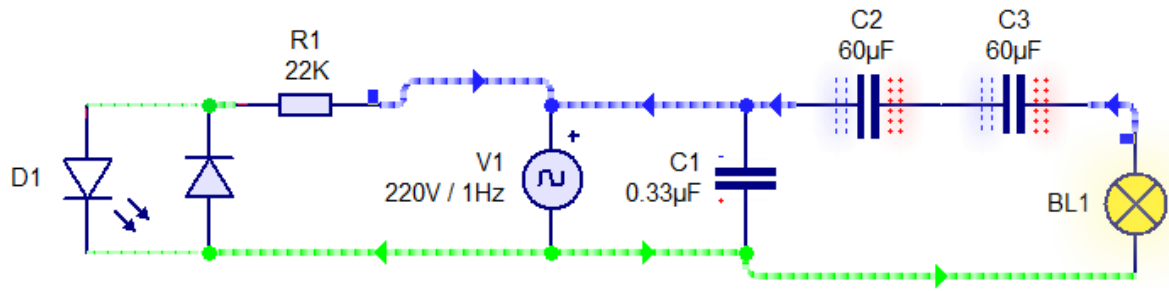
MSL
Turis
Master
CBB65 CAP
60+5 μ F \pm 5%
450VAC B
40/85/21



MSL PA
Turis
Master
CBB65 CAP
60+5 μ F \pm 5%
450VAC B
40/85/21



www.mbsm.pro

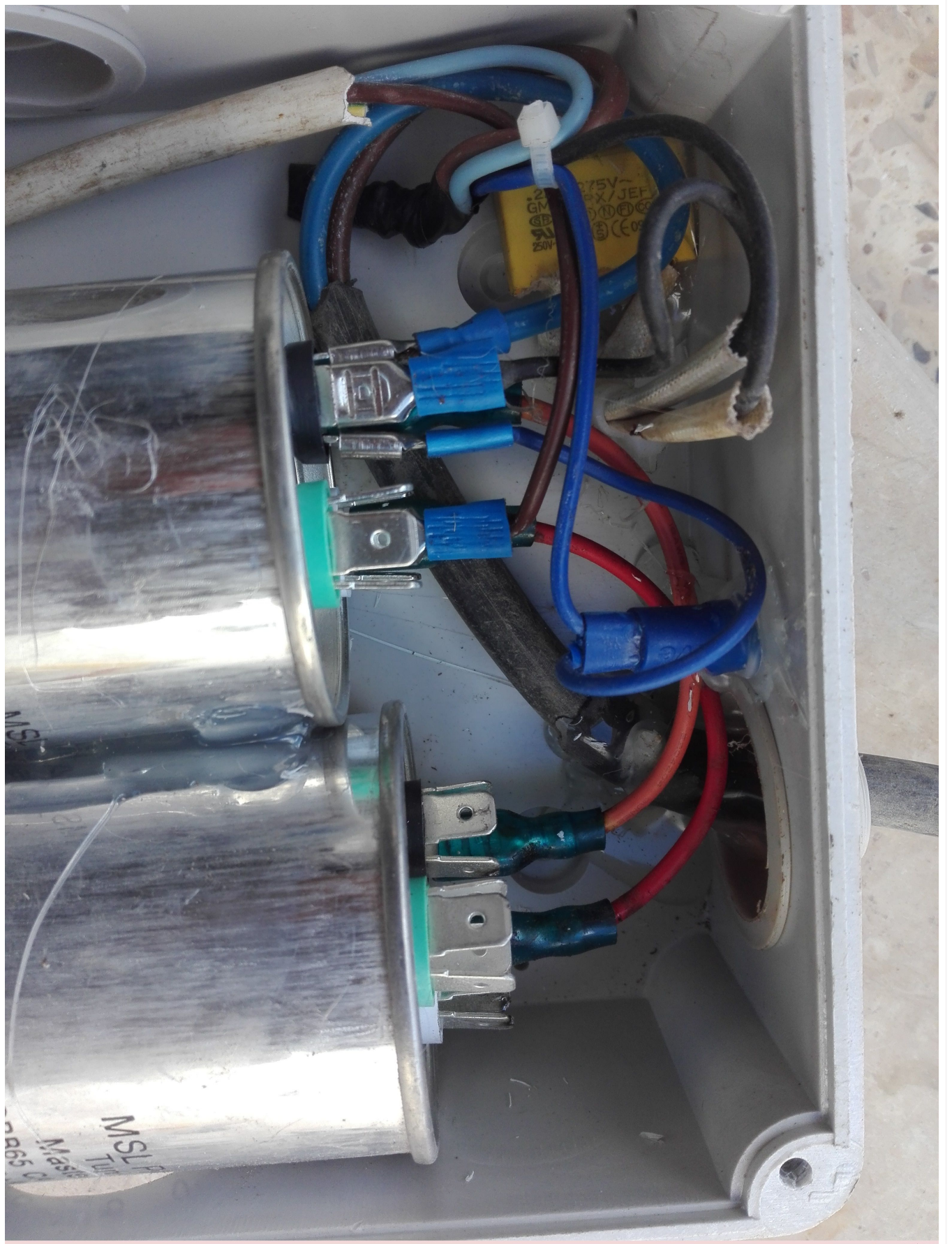


Picture5 Mbsm Dot Pro : www.mbsm.pro









Mbsm.pro , Testeur de câble , camera (bnc connector) , USB, Rg45 , Rg11, Port 1394 , Produit tester, par mbsmgroup

Category: Tester ok

written by www.mbsm.pro | 12 August 2018

Mbsm.pro , Testeur de câble , camera (bnc connecter) , USB, Rg45 , Rg11, Port 1394 , Produit tester, par mbsmgroup

5 in 1 Cable Tester

TO TEST JUMPER CABLES:

Plug cable into appropriate jack on the Master Unit and Remote
Press TEST button and observe LEDs on Master Unit to find faults

TO TEST INSTALLED CABLES:

Plug cable into appropriate jack on the Master Unit. Locate other
end of cable and plug into appropriate jack on Remote
Press TEST button and observe LEDs on Master Unit to find faults

The 5 in 1 checks for Cable Continuity,
Miswiring, Opens, Shorts, Crossover and Grounding.

Maximum Cable Length = 600 Feet (RJ-45/RJ-11/BNC)

Refer to manual for complete instructions.

CAUTION: Do not connect to a live circuit.

Do not test more than one cable simultaneously

CE





Cable Tester

	RJ-45	RJ-11	1394	USB	BNC
SIG 1	●	●	●	●	●
2	●	●	●	●	●
3	●	●	●	●	●
4	●	●	●	●	●
5	●	●	●	●	●
6	●	●	●	●	●
7	●	●	●	●	●
8	●	●	●	●	●

Remote Unit

5 in 1 Cable Tester







Mbsm.pro, 1998 , la première foie, je touche, une disquette pc ,et j'installe un logiciel

Category: Old Pics Archive

written by www.mbsm.pro | 12 August 2018



Mbsm.pro, 1998 , la première foie, je touche, une disquette pc ,et j'installe un logiciel



1	2	3	4	5	6	7	8	9	10	11	12	13	14	15		

once a week.

Clean head after 8 hours of use or at least
 discard and use new cleaning diskette.
 Do not use more than 15 times. If diskette
 becomes discolored from head contamination,

Cleaning Disk.

Drop on liquid here









licence n° K0807178WGX
GTEL
DISC 1/8
VERSION 4.50
GESTION COMMERCIAL
(c) copyright 1998 POUR WINDOWS
Compagnie Internationale d'Édition de Logiciels

Compagnie Internationale d'Édition de Logiciels

(c) copyright 1998 POUR WINDOWS

VERSION 4.50 GESTION COMMERCIAL

VERSION

DISC 1/8

CIEL!

licence n° K0807178M6X





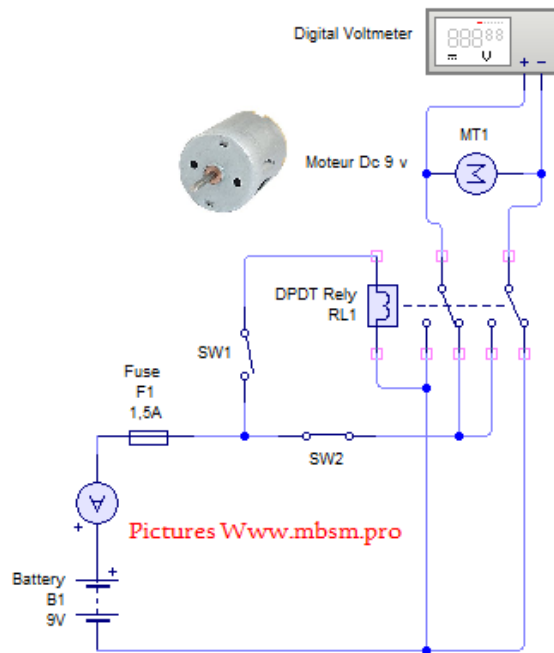
Mbsm.pro ,Inverser la rotation, d'un moteur 9v Dc, avec DPDT Rely

Category: Technologie

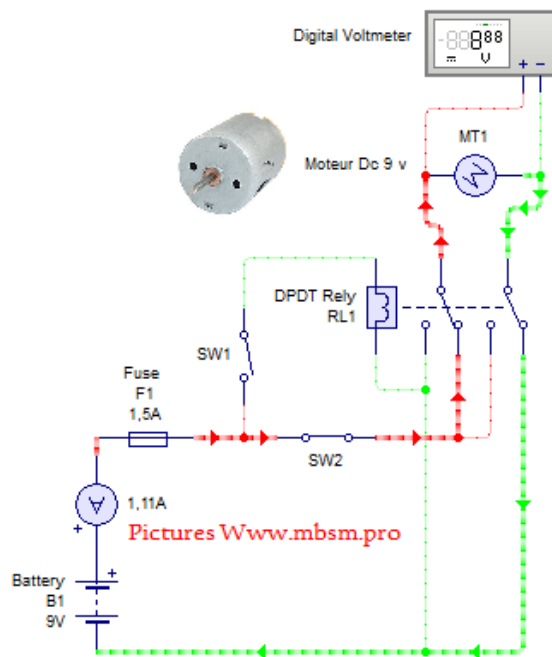
written by www.mbsm.pro | 12 August 2018

Mbsm.pro ,Inverser la rotation, d'un moteur 9v Dc, avec DPDT Rely

Mbsm.pro ,Inverser la rotation, d'un moteur 9v Dc, avec DPDT Rely



PictureS Mbsm Dot Pro : www.mbsm.pro



PictureS Mbsm Dot Pro : www.mbsm.pro

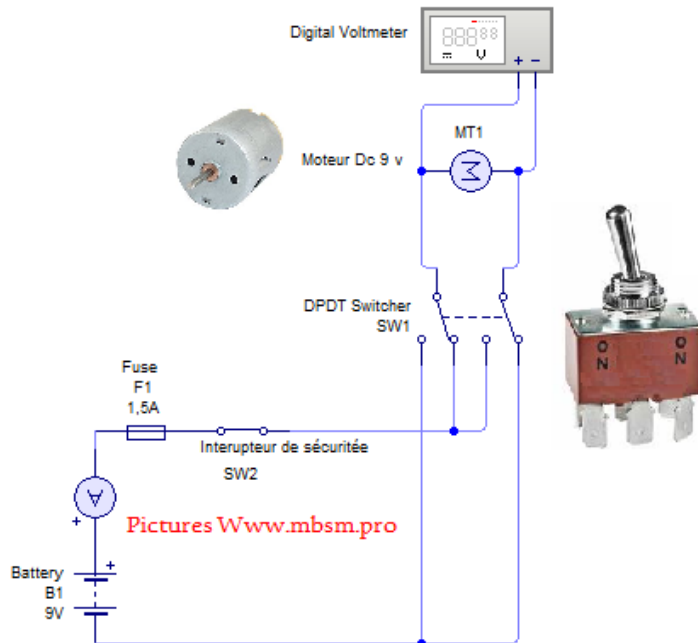
Mbsm.pro ,Inverser la rotation, d'un moteur 9v Dc, avec DPDT Switch

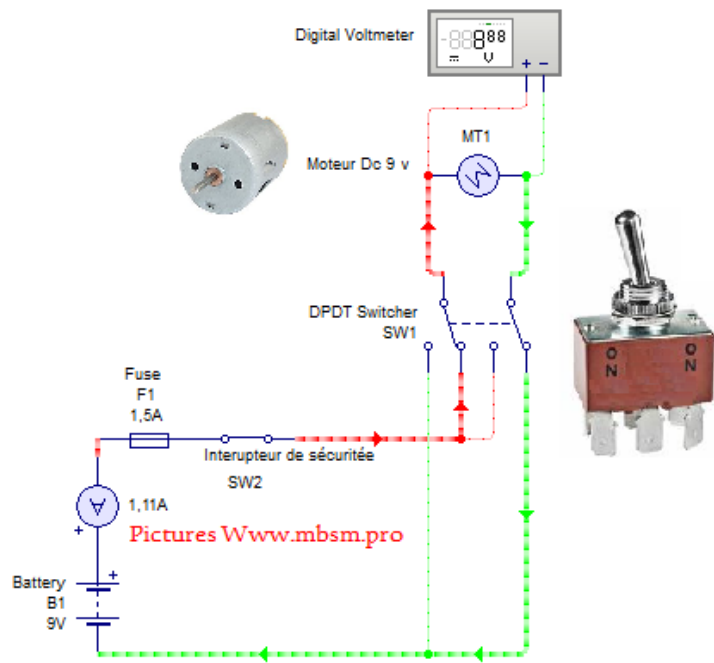
Category: Technologie

written by www.mbsm.pro | 12 August 2018

Mbsm.pro ,Inverser la rotation, d'un moteur 9v Dc, avec DPDT Switch

Mbsm.pro ,Inverser la rotation, d'un moteur 9v Dc, avec DPDT Switch





Pictures Wwww.mbsm.pro