

HERMETIC, Freezer, COMPRESSOR, ZEL, GTH86AA, R134A, 1/4 Hp, Lbp, 230W, 8.6CC

Category: compressor

written by www.mbsm.pro | 18 February 2021



Private Picture Copyright : WWW.MBSM.PRO

COMPRESSOR ZEL GTH86AA

APPLICATION: LBP

FREON: R134A

DISPLACEMENT: 8.6CC

POWER SUPPLY: 220V

POWER: 1 / 4HP – 230W

APPLICATION: UNIVERSAL

Specifications

Description

Detailed Product Description

1.Low levels of noise and vibration

2.Standard,medium,high and very high levels of efficiency

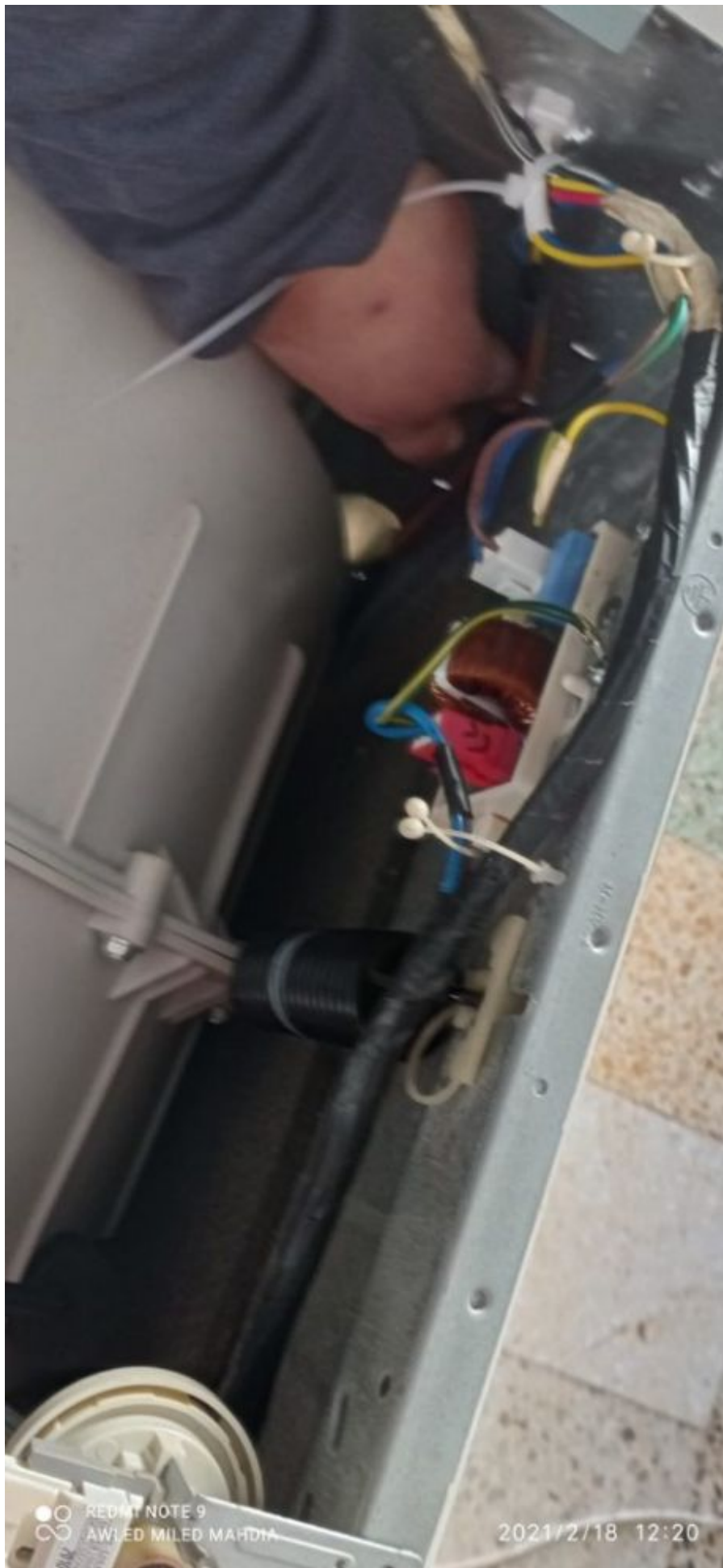
R134a 220-240V/50HZ

Model	Displ.(cm ³)	Motor Type	Cooling capacity(w)	Input Power without RC(w)	Power with RC(w)	COP without RC(w/w)	COP with RC(w/w)	Run Capacltor	Start Capacltor	Height(mm)
Standard Efficiency Range										
OF789	4.4	RSIR	110	102		1.08				174
OF1033A	5.7	RSIR	141	118		1.19				174
OF1350A	7.5	RSIR	178	158		1.13				183
GTH86AA	8.6	RSIR/RSCR	230	161	153	1.43	1.50	5		174
GTH93AA	9.3	RSIR/RSCR	260	182	173	1.43	1.50	5		183
Medium Efficiency Range										
GTM40AT	4.0	RSIR	102	91		1.12				163
GTM57AT	5.7	RSIR	156	128		1.21				183
GTM60AT	6.0	RSIR	165	136		1.27				163
GVY75AT	7.5	RSIR/RSCR	200	149	139	1.34	1.44	5		183
GTM75AA	7.5	RSIR	200	166		1.20			50	183
GTM93AA	9.3	RSIR	270	220		1.35				183
GTM10AA	11.0	RSIR/RSCR	300	222		1.35			50	183
GTM12AA	12.0	RSIR/RSCR	330	241		1.37			50	183



Photos, Assemblage Machine A Linge, LG, 10kg

Category: Solutions,Technologie,Tester ok
written by www.mbsm.pro | 18 February 2021





REDMI NOTE 9
AWLED MILED MAHDIA

2021/2/18 10:33

Private Picture Copyright: WWW.MBSM.PRO



REDMI NOTE 9
AWLED MILED MAHDIA

2021/2/18 10:42

Private Picture Copyright: WWW.MBSM.PRO





REDMI NOTE 9
AWLED MILED MAHDIA

2021/2/18 10:52

Private Picture Copyright : WWW.MBSM.PRO





● ○ REDMI NOTE 9
∞ AWLED MI ED MAHDIA

2021/2/18





● ○ REDMI NOTE 9
○ ○ AWLED MILED MAHDIA

Private Picture Copyright : WWW.MBSM.PRO



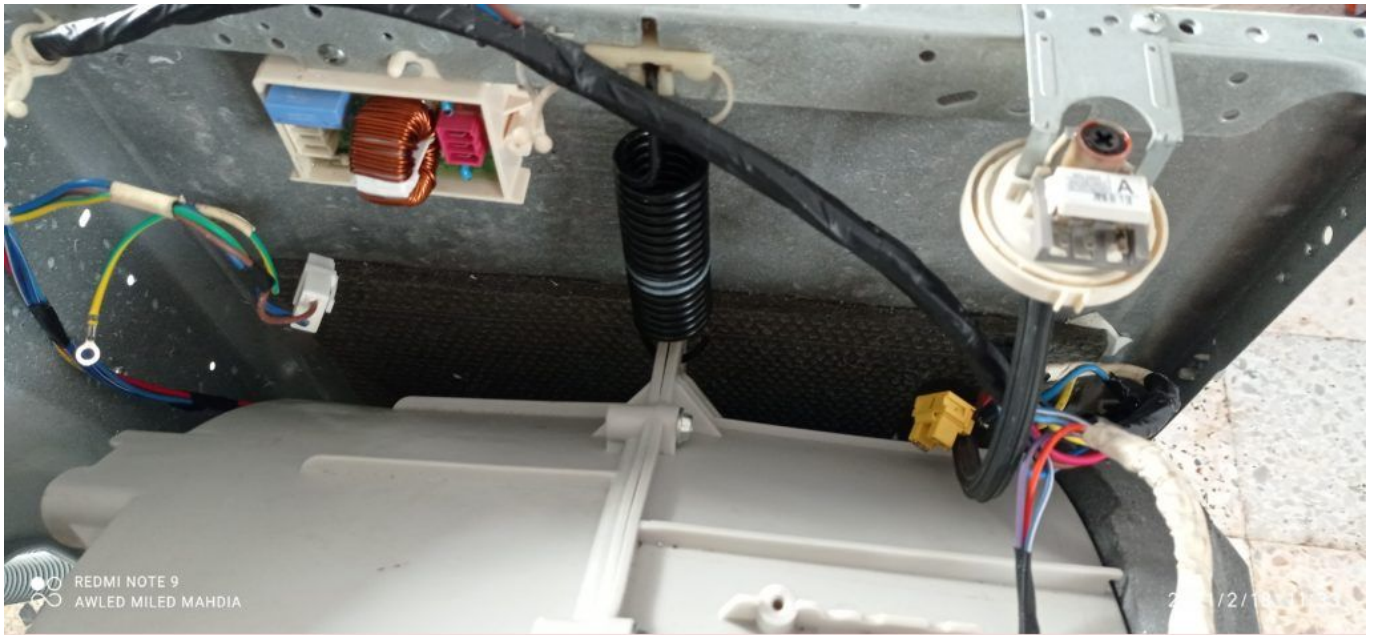
REDMI NOTE 9
AWLED MILED MAHDIA

2021/2/18 11:17



REDMI NOTE 9
AWLED MILED MAHDIA

2021/2/18 11:17



REDMI NOTE 9
AWLED MILED MAHDIA

2021/2/18

Private Picture Copyright: WWW.MBSM.PRO



REDMI NOTE 9
AWLED MILED MAHDIA

2021/2/18 11:33

Private Picture Copyright: WWW.MBSM.PRO





REDMI NOTE 9
AWLED MILED MAHDIA

Private Picture Copyright: WWW.MBSM.PRO



REDMI NOTE 9
AWLED MILED MAHDIA

2021/2/18 11:43

Private Picture Copyright: WWW.MBSM.PRO



REDMI NOTE 9
AWLED MLED MARDIA

2021/2/18 11:13

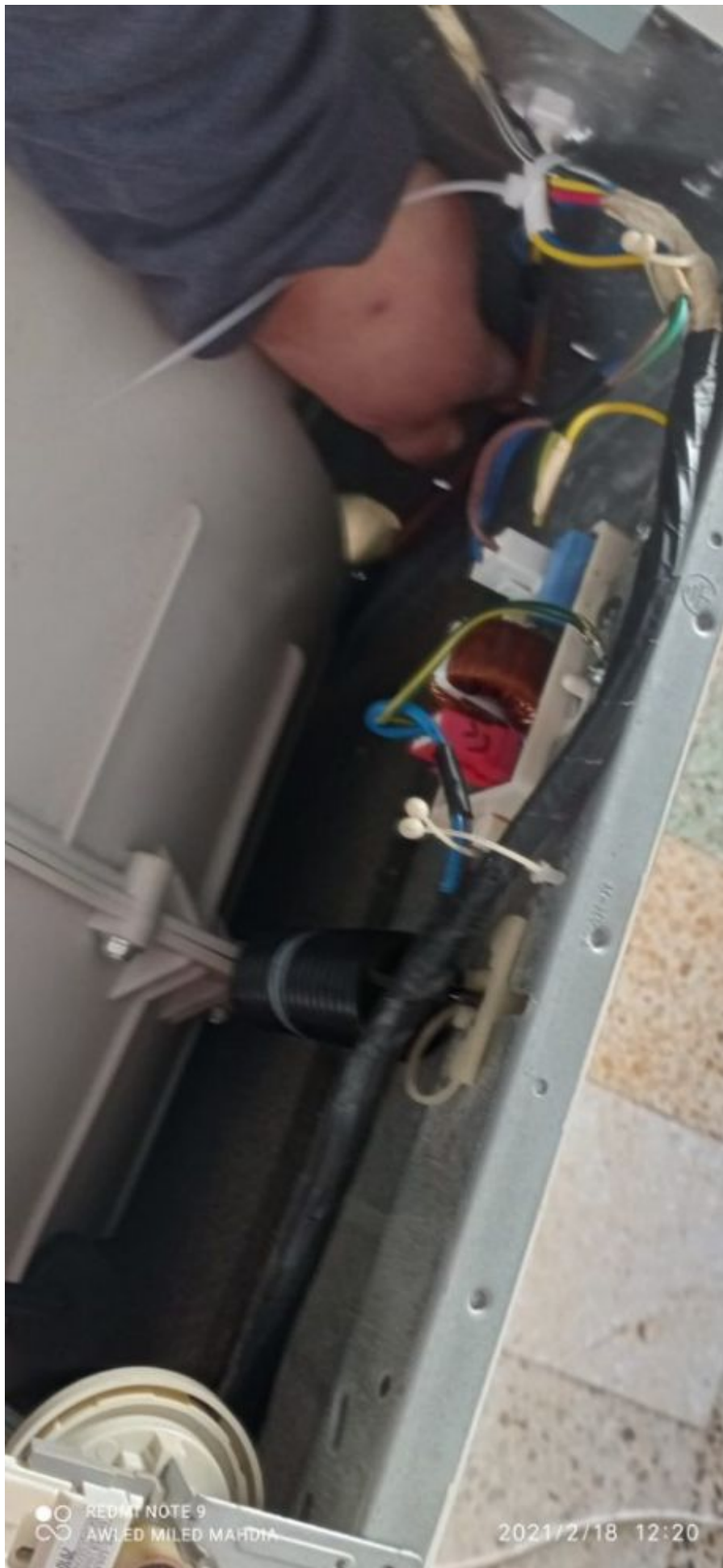


Private Picture Copyright: WWW.MBSM.PRO



Private Picture Copyright: WWW.MBSM.PRO







REDMI NOTE 9
AWLED MILED MAHDIA

2021/2/18 12:31



REDMI NOTE 9
AWLED MILED MAHDIA

2021/2/18 12:31



Private Picture Copyright : WWW.MBSM.PRO

Traverse métallique haut de machine lave linge 10kg, Mesure et photos

Category: Solutions,Technologie
written by www.mbsm.pro | 18 February 2021



Private Picture Copyright : WWW.MBSM.PRO



REDMI NOTE 9
AI DUAD CAMERA

Private Picture Copyright : WWW.MBSM.PRO







REDMI NOTE 9
AI QUAD CAMERA

Private Picture Copyright: WWW.MBSM.PRO



REDMI NOTE 9
AI QUAD CAMERA

Private Picture Copyright: WWW.MBSM.PRO



Private Picture Copyright: WWW.MBSM.PRO



Private Picture Copyright: WWW.MBSM.PRO



Private Picture Copyright: WWW.MBSM.PRO



Private Picture Copyright: WWW.MBSM.PRO



Private Picture Copyright : WWW.MBSM.PRO



Private Picture Copyright : WWW.MBSM.PRO



Private Picture Copyright : WWW.MBSM.PRO



Private Picture Copyright: WWW.MBSM.PRO

Compressor, NL7.3FT, SECOP, 105G6726, DANFOSS, 6726, 105G, 105 G 6726, 105G 6726, 1/5 HP, 180W, LBP, Zanussi, Kiriazi Electric Company, TGV 335L, NO FROST, TSV 320L, FC 83L , R134A, 125G, 220-240V 50Hz, CSIR

Category: compressor

written by www.mbsm.pro | 18 February 2021

KIRIAZI



CE



ELECTRIC
COMPANY

®

Product	No Frost Refrigerator	Class	T
Model	E 335N/3	Current / Amp.	1.1/~
Rated Voltage	220-240V/50HZ	Refrigerant	R 134a 125g
Rated input of lamp	1 x 25 w	Total Gross Volume	335 L
Ins : Basic	Type II IPX4	Total Storge Volume	320 L
Freezing Capacity	4 kg/24hr	Freezer Capacity	83L
ES 6000 / 2008		Tow Door Ref.	
ES 3793 / 2006			
Serial Number		Made in Egypt	



● ○ REDMI NOTE 8
○ ∞ AI QUAD CAMERA

Private Picture Copyright : WWW.MBSM.PRO

R134a is a low pressure refrigerant, very efficient for high temperature applications.

This makes it ideal in air conditioning applications that may leak refrigerant like car air conditioning.

Now it is being phased out because of its high global warming potential and replaced by R134

R404a is a high pressure refrigerant ideal for applications in low and medium temperature.

You want low pressure refrigerants in household applications like refrigerators that may be inside kitchens with (possible) high ambient temperature, so you make sure nothing will blow up. For the same reason you want R134a in your car air conditioning.

R404a instead has pressures slightly above atmospheric in low temperature applications where R134a would have negative pressures and its heat transmission coefficients would be much lower.

Type de gaz	App	HP	Watt	Modèle	TL
R134A	LBP	1/6	134	TLY5.1FK	
R134A	LBP	1/4	183	TLES7FT.4	

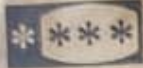
R134A	LBP	1/5	156	NL6FT.2	
R134A	LBP	1/5	185	NL7.3FT (RSIR)	
R134A	LBP	+ 1/4	219	NL9FT.2 (RSIR)	
R134A	LBP	1/4	185	NL7.3FT (CSIR)	
R134A	LBP	+ 1/4	219	NL9FT.2 (CSIR)	NL
R134A	LBP	1/3	284	NL10FT	
R134A	MBP	1/3	621	NL11MF	
R404A	LBP	1/3	433	NL7CLX	
R404A	LBP	1/3	471	NL8.4CLX	
R134A	LBP	1/4	187	NLY6F	
R134A	LBP	+ 4 /	213	NLY7F	
		(1)			
R134A	LBP	1/3	237	NLY9FK	
R600A	LBP	+ 1/4	227	NLE13KTK.2	
R600A	LBP	1/3	253	NLE15KTK.2	
R600A	LBP	+ 1/4	225	NLX13KK.3	
R600A	LBP	1/3	254	NLX15KK.3	

R134A	LBP / MBP / 1/3 HBP	264	SC12G	
R134A	LBP / MBP / 1/2 HBP	392	SC18G	
R134A	LBP / MBP / 3/4 HBP	456	SC21G	SC
R134A	MBP 3/4	1073	SC21MFX	
R134A	LBP 3/4	567	SC21FTX	
R404A	LBP 1	1033	ST21CL	
R404A	LBP 1	986	SC18CLX.2	
R404A	MBP 1/2	359/650	SC15MLX	
R404A	MBP 7/8	762/1584	SC18MLX	

KIRIAZI



CE



ELECTRIC
COMPANY

®

Product	No Frost Refrigerator	Class	T
Model	E 335N/3	Current / Amp.	1.1/~
Rated Voltage	220-240V/50HZ	Refrigerant	R 134a 125g
Rated input of lamp	1 x 25 w	Total Gross Volume	335 L
Ins : Basic	Type II IPX4	Total Storge Volume	320 L
Freezing Capacity	4 kg/24hr	Freezer Capacity	83L
		Tow Door Ref.	

ES 6000 / 2008
ES 3793 / 2006

Serial Number

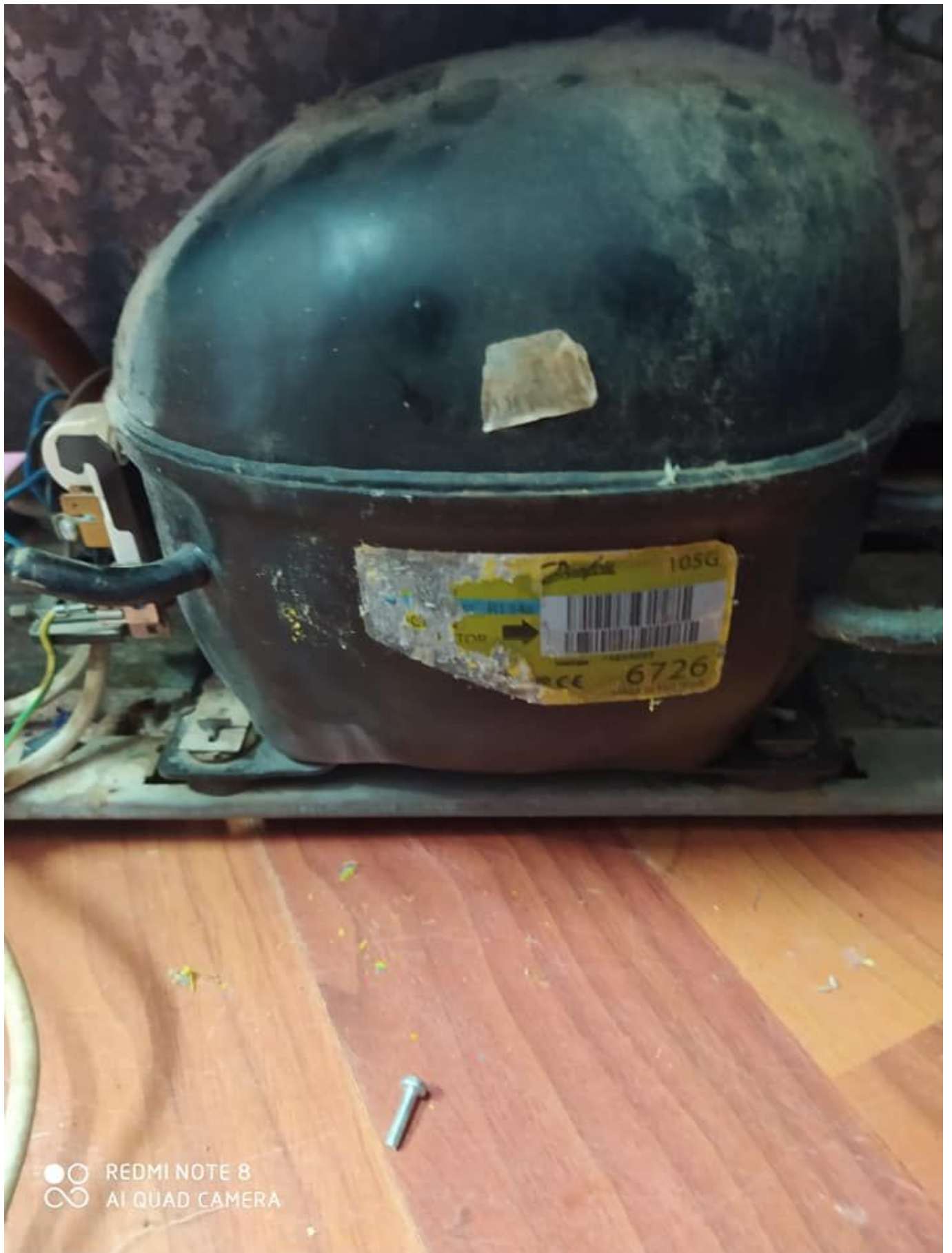
Made in Egypt



REDMI NOTE 8
AI QUAD CAMERA



REDMI NOTE 8
AI QUAD CAMERA



Private Picture Copyright : WWW.MBSM.PRO

Mbsm_dot_pro_private_PDF_NL7.3FTTélécharger
Mbsm_dot_pro_private_PDF_nl73ft_105g6731_r134a_220v_50hz_11-2011_desd406c102Télé
charger

Refrig	Applic	oil cooling	Evaporating temperature [°C]													Evaporating tem		
			-35	-30	-25	-20	-15	-10	-5	0	5	10	15	-25	-10			
R134a	LBP		1/20	14	26	40	56	74	95								60	86
		PL50F	101G0220	1/20	14	26	40	56	74	95							60	86
		TL53FT	102G4324	1/16	21	34	50	69	92	120							62	93
		TL54FT	102G4424	1/10	27	43	63	88	117	152							88	123
		TL55FT	102G4524	1/8+	48	71	98	131	170	216							114	165
		TL55.7FT.3	102G4615	1/6	66	90	120	156	200	253							120	170
		TL56.5FT.3	102G4703	1/5			136											139
		NL6FT	105G6628	1/6	60	84	115	152	198	253							123	184
		NL6.1FT	105G6620	1/6	60	84	115	152	198	253							123	184
		NL7FT	105G6728	105G6738	1/5	71	100	136	181	235	299						145	220
		NL7.3FT	105G6726		1/5	71	100	136	181	235	299						145	220
		NL8.4FT	105G6865		1/4	87	120	162	213	275	350						169	252
		NL9FT	105G6828	105G6838	1/4	87	120	162	213	275	350						169	252
		NL10FT	105G6829	105G6839	1/3	113	158	213	281	361	455						215	316
		NLE7.3FT	105G6710		1/4	92	118	154	201	258	325						148	221
		SC12FT	104G8205	104G8215	1/3	103	163	233	314	408	517	645					265	380
		SC15FT	104G8505		1/2	126	197	280	376	489	620	772					311	451
		SC18FTX	104G8805		5/8	144	229	325	437	567	719	896					365	517
		SC21FTX 50Hz	104G8105		3/4	192	296	415	553	713	901	1119					428	613
		SC21FTX 60Hz	104G8106		3/4	240	345	470	620	800	1012	1262					475	707
		TL2.5G	102G4251		1/12	11	23	36	51	69	90	116	145	179	219	264	60	84
		TL3G	102G4350		1/12	25	41	59	81	106	136	170	211	258	312	66	96	
		TL4G	102G4452		1/8	41	58	80	107	140	180	226	280	342	413	83	118	
		TL5G	102G4550		1/6	56	79	107	139	178	224	278	341	414	497	100	149	
	FR6G	103G6660		1/5	48	83	124	171	226	290	365	452	552		109	172		
	FR7.5G	103G6680	103G6690	1/5	62	99	142	193	254	325	408	505	618		126	194		
	FR8.5G	103G6780	103G6790	1/4	85	123	171	228	298	381	478	592	722		151	231		
	FR10G	103G6880	103G6890	1/4	92	136	188	250	324	412	516	638	779		179	265		
	FR11G	103G6980		1/3	115	170	233	307	395	501	628	780			202	317		
	TL6.5MF	102G4781		1/4			174	219	279	349	425	520				202		
	NL6.1MF	105G6660		1/5			141	189	245	312	390	482	588	709		187		
	NL7.3MF	105G6772		1/4			179	236	304	385	480	591	719	867		227		
	NL8.4MF	105G6879		1/4+			213	277	353	445	553	679	825	994		261		
	NL10MF	105G6885		1/3			266	346	441	554	687	843	1023	1231		323		
	NLE10MF	105G6888		1/3	88	137	194	262	343	440	554	688	845		198	308		
	NL11MF	105G6151		3/8			292	380	485	609	756	927	1125	1354		360		
	SC10G	104G8000		5/16	23	60	113	183	268	369	486	618	764	925	1100	181	290	
	SC12G	104G8240	104G8250	3/8	65	113	175	252	348	464	603	768	960	1182	1437	227	355	
	SC15G	104G8520	104G8530	1/2			164	290	424	568	728	908	1110	1340	1600	233	440	
SC18G	104G8820	104G8830	1/2+			283	394	526	684	870	1087	1337	1624	1950	2331	507		

model	watt	HP	LBP/MBP	نوع گاز	توضیحات
SC12G	246	1/3	LBP/MBP	134	
SC18G	392	1/2	LBP/MBP	134	
SC21G	456	3/4	LBP/MBP	134	
SC21MFX	1073	3/4	MBP	134	هیترین SC21G
SC21FTX	567	3/4	LBP	134	هیترین SC21G
SC12CL	629		LBP	404	
SC15CL	782		LBP	404	
SC18CLX.2	986		LBP	404	
TLS5FT(PTC)	134	1/6	LBP	134	
TLES5.7FT(PTC)	163	1/5	LBP	134	
TLES6.5FT(PTC)	183	1/4	LBP	134	سفن NL7
NL6FT.2(PTC)*	156	1/5	LBP	134	
NL7FT.2(PTC)*	185	1/4	LBP	134	
NL9FT.2(PTC)*	219	1/4+	LBP	134	
NL10FT	284	1/3	LBP	134	هیترین SC12G (پارنه و سفن)
NL11MF	621	1/3	MBP	134	هیترین SC12G (پارنه و سفن)
NL7CLX	433		LBP	404	
NL8.4CLX	471		LBP	404	
NL7.3MF	393		MBP	134	
NL8.4MF	455		MBP	134	
NLY6F	187		LBP	134	سفن NL7 - High efficiency (7% در سفن)
NLY7F	213		LBP	134	سفن NL9 - High efficiency (7% در سفن)
NLY9FK	237		LBP	134	High efficiency (7% در سفن)
BD50F	72		LBP/MBP	134	
BD350GH	167		LBP/MBP	134	
GS21MLX	2200		MBP	404	
GS26CLX	1430		LBP	404	
GS34CLX	2072		LBP	404	
GS26MLX	2866		MBP	404	
GS34MLX	3726		MBP	404	

(LBP @ -33.3°C ASHRAE) زیر صفر
(MBP @ -6.7°C ASHRAE) بالای صفر

Refrigeration, Compressor, K270CZ1, 1/3++, DONPER, Dongbei , K325CZ1, K375CZ1 , freezer, R134a, White HIK-BD-500 Chest Freezers, Top Open Door, -18 degrees to +10 degrees, 500L

Category: compressor

written by www.mbsm.pro | 18 February 2021

PRODUCT PARAMETERS

MODEL NO.	K270CY1
COOLING CAPACITY	270W
REFRIGERANTS	R600a
INPUT POWER	208W
HORSE POWER	1/3+
DISPLACEMENT	16.2cm ³



Private Picture Copyright : WWW.MBSM.PRO

Quick Details

Temperature:

-25° ~ +15°

Cooling Capacity:

1ton

Panel Thickness:

50mm

Applicable Industries:

Retail

After Warranty Service:

Online support

Local Service Location:

None

Showroom Location:

None

Condition:

New

Place of Origin:

Hubei, China

Voltage:

220V, 220V/50HZ

Dimension(L*W*H):

10-10*10

Weight:

15KGS

Certification:

CE ROHS

Warranty:

1 Year

After-sales Service Provided:

Online support, No overseas service provided

Key Selling Points:

Sustainable

Machinery Test Report:

Not Availabl

Video outgoing-inspection:

Provided

Marketing Type:

New Product 2020

Warranty of core components:

1 Year

Core Components:

Motor

Color:

Balck

Product name:

Refrigerator Compressor

Refrigerant:

R134a

model:

K270CZ1

Cooling capacity:

230W

Product Description

Refrigerant	R134a	Cooling capacity	270W
Input power	220W	Hose Power	220W
Temperature application	L/MBP	Displacement	9.5cm ³
Working Current	1.5A	Voltage	220V~240V/50Hz
COP	1.3W/W	Motor type	RSIR
Cylinder capacity	9.5cm ³	Weight	9.8±0.4kg

Structure



Private Picture Copyright: WWW.MBSM.PRO



Private Picture Copyright: WWW.MBSM.PRO



PRODUCT PARAMETERS

MODEL NO.	K270CY1
COOLING CAPACITY	270W
REFRIGERANTS	R600a
INPUT POWER	208W
HORSE POWER	1/3+
DISPLACEMENT	16.2cm ³



Private Picture Copyright : WWW.MBSM.PRO

Notice : process channel and air suction pipe can not interchangeable

Product Name	: Donper Compressor	Model:	K270CZ1
Application	: Refrigerator	Power supply	:220v~240v/50Hz
Refrigeration capacity	:270W	Power	:220W
cylinder volume	:9.5cm ³	refrigerant	: R134a
Motor	:RSIR	COP	:1.3W/W
Weight	:9.8±0.4kg	working current	:1.5A



Private Picture Copyright : WWW.MBSM.PRO

Compressor Details

Production Name	Refrigerator compressor	Model	K270CZ1
Application	Refrigerator/ Freezer(300L~400L)	Power	220V~240V/50HZ
Cooling capacity	270W	Input power	220W
Cylinder volume	9.5Cm ³	Refrigerant	R134a
Motor type	RSIR	COP	1.3W/W
Weight	9.8±0.4kg	Current	1.5A

Private Picture Copyright : WWW.MBSM.PRO

Product Specification

Capacity	500 L
Type	Top Open
Temperature Range	-18 degrees to +10 degrees
Model Number	HIK-BD-500
Model Number/Name	HIK-BD-500

Energy Consumption	2.02 kWh/24hr
Product Dimensions	1650 x 755 x 830mm
Door Type	Top Open Door
Color	White
Door No.	2
Features	Adjustable Temperature Control,Digital Display,75mm Insulation Wall Thickness,Defrost Water Drain
Usage/Application	Freezer/Chiller
Weight	73kg
Depth	755mm
Refrigerant Used	R134a
Number Of Basket	2
Height	830 mm
Power Source	Electric
Energy Efficiency	2.02 kWh/24hr
Compressor Brand	Donper
Compressor Model	K270CZ1
Power	255 W
Width	1650 mm
Colour	White
Refrigerant	R134a
No of Doors	1
Number of Baskets	2

Product Description

Haikawa now launches its latest range of Chest Freezers in 200 L, 300 L, 400 L and 500 L variants. The freezers come with an Adjustable Temperature Control, enabling its use as a freezer (-18 degrees to 0 degrees) or as a chiller (0 degrees to 10 degrees), depending on requirement. The 75mm Insulation Wall Thickness helps improve energy efficiency, while the unique digital display brings in a whole new level of convenience. The Chest freezers come with removable baskets and a defrost water drain. The Inner PP lining improves hygiene while a lock and key mechanism ensures maximum safety. Insulation: Cyclopentane. Refrigerant: R134a. The HIK-BD-500 model has a rated current of 1.5A, thus lowering the power consumption. The Chest Freezer is packed with the following features:

- Adjustable Temperature Control
- Electronic Controller with Digital Display
- 75mm Insulation Wall Thickness
- Low Power Consumption
- Inner PP Lining for Improved Hygiene
- Store-More Removable Basket
- Defrost Water Drain
- Lid Handle
- Lock and Key Safety Mechanism

Additional Information

Packaging Details Box Dimensions: 1695 x 760 x 880mm Included: 1 Chest Freezer/ 1 Instruction Manual/ 2 Keys/ 2 Inner Metal Trays



Private Picture Copyright : WWW.MBSM.PRO



Private Picture Copyright : WWW.MBSM.PRO



Private Picture Copyright : WWW.MBSM.PRO

Compresseur de réfrigérant R134a Donper K375CZ1 220-240V 50Hz SC-SD-388Y

Description

Compresseur de réfrigérant R134a Donper K375CZ1 220-240V 50Hz SC-SD-388Y

Réfrigérant: R134a

Tension: 220 V ~ 240 V / 50 HZ

Puissance en chevaux: 1/2 ph

Puissance d'entrée: 235 W

Capacité de refroidissement: 325 W

Cylindre de capacité: 11,4 centimètres cubes

Courant de travail: 1.6A

Type de moteur: CSIR

Poids: 9,9 ± 0 4 kg

875000033

 **K375CZ**
220-240V~50Hz 1PH
THERMALLY PROTECTED

     1

<http://www.donper.com>

160111104220202452

R134a



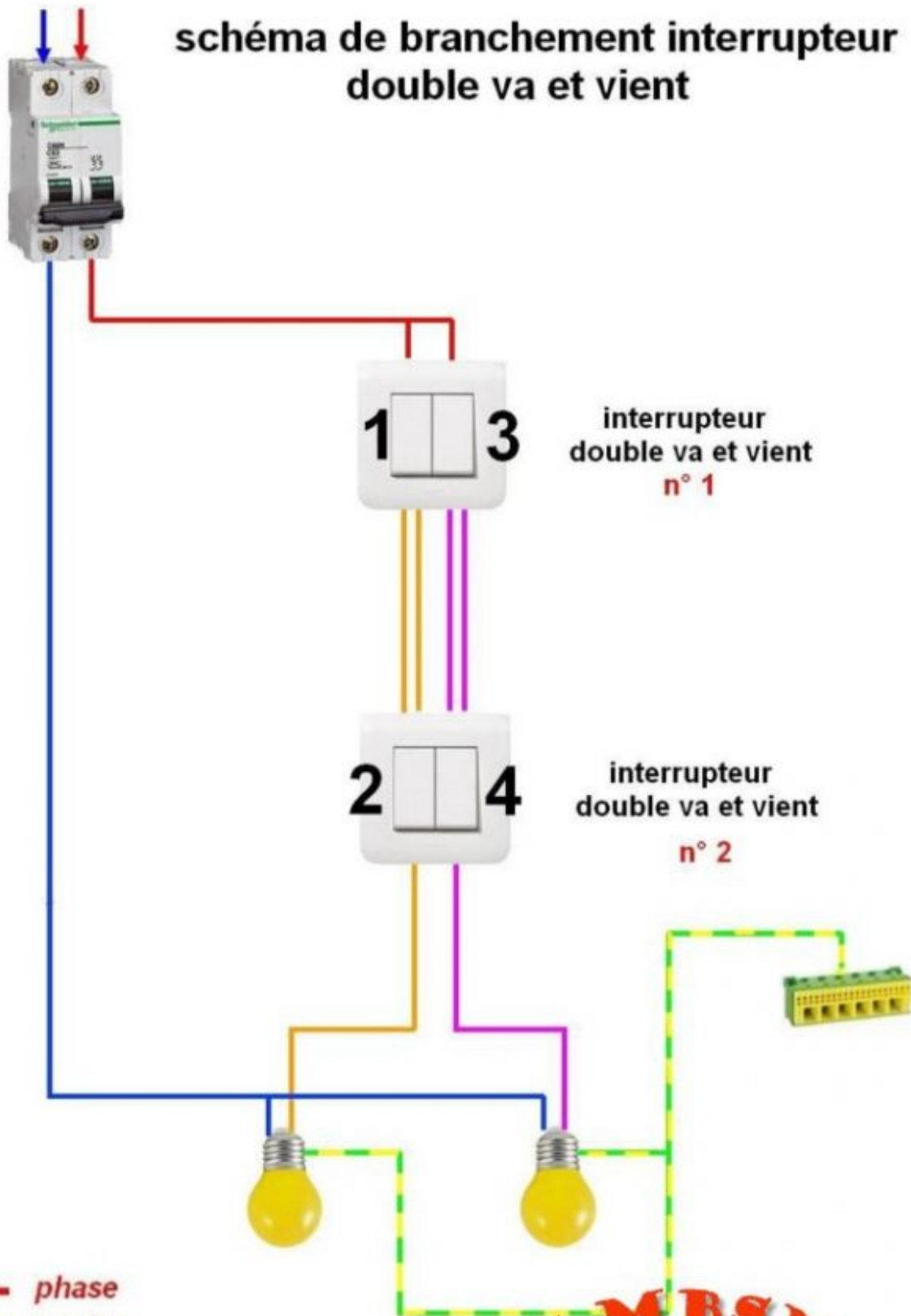
Private Picture Copyright : WWW.MBSM.PRO

schéma électrique d' installation double va et vient

Category: electricity

written by www.mbsm.pro | 18 February 2021

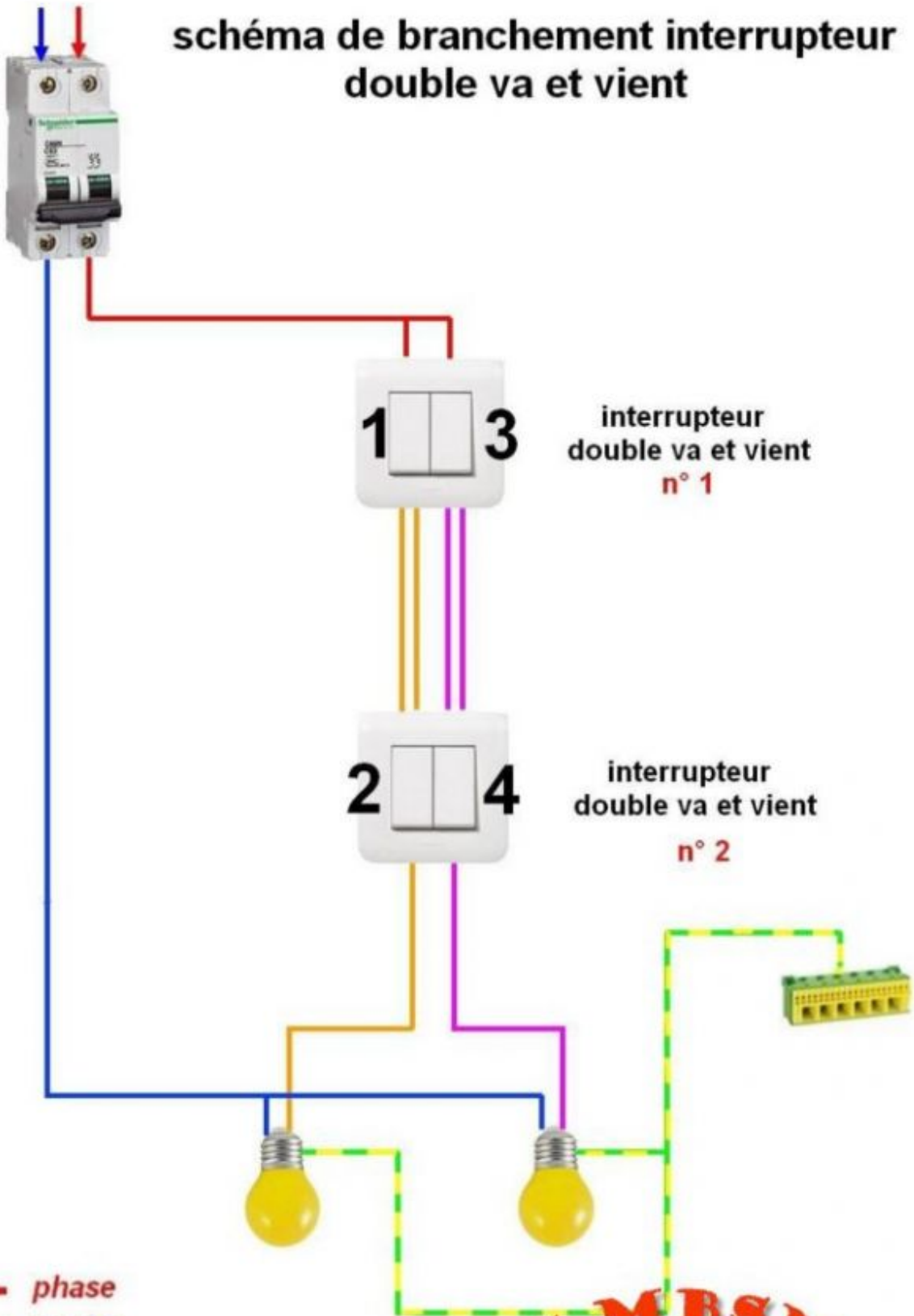
schéma de branchement interrupteur double va et vient



- phase
- neutre
- navettes 1 interrupteur
- navettes 2 interrupteur
- liaison équipotentielle



schéma de branchement interrupteur double va et vient



- phase
- neutre
- navettes 1 interrupteur
- navettes 2 interrupteur
- liaison équipotentielle



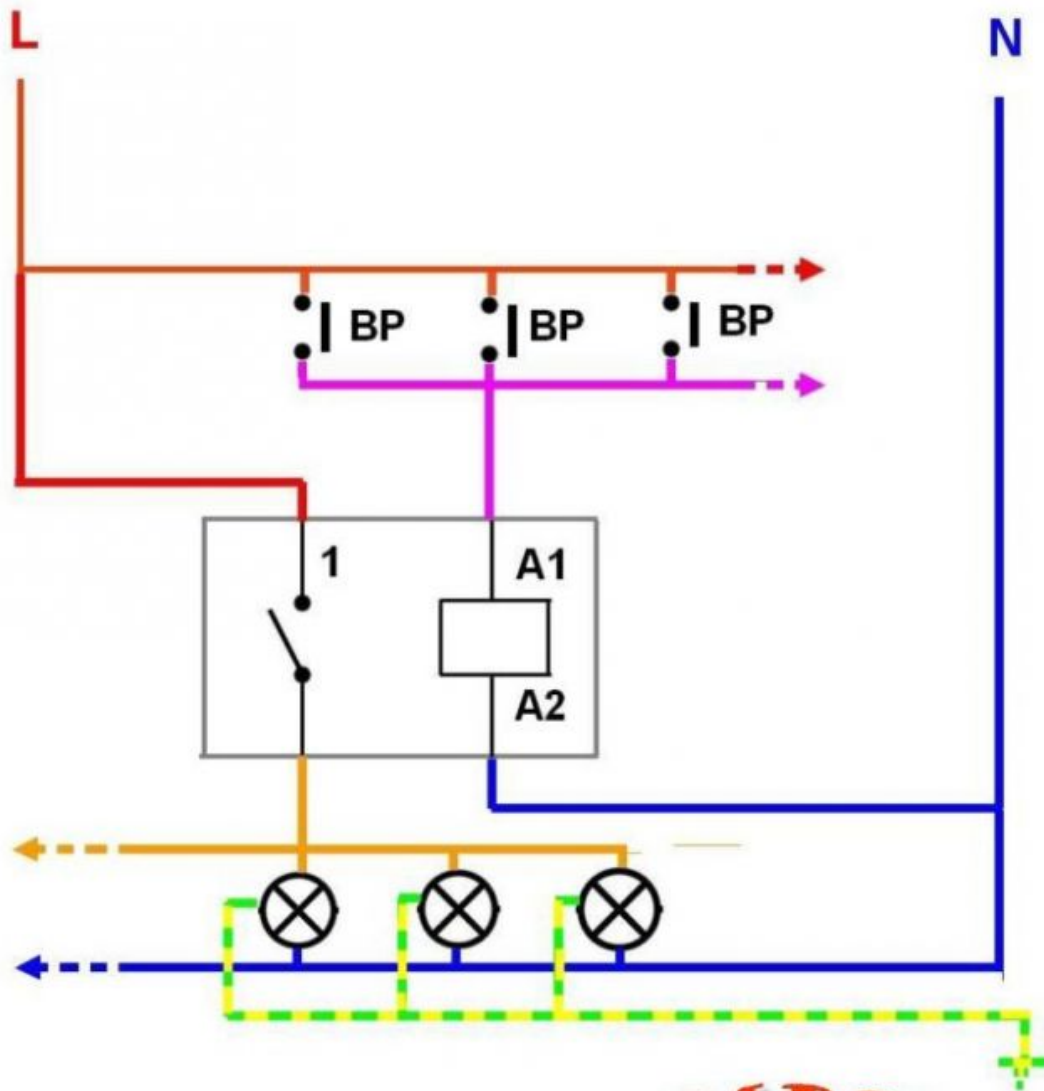
- schéma électrique d' installation double va et vient
 - schéma de branchement double va et vient
 - exemple de câblage et raccordement les différents types interrupteurs double va et vient
-

schéma électrique minuterie unipolaire

Category: electricity

written by www.mbsm.pro | 18 February 2021

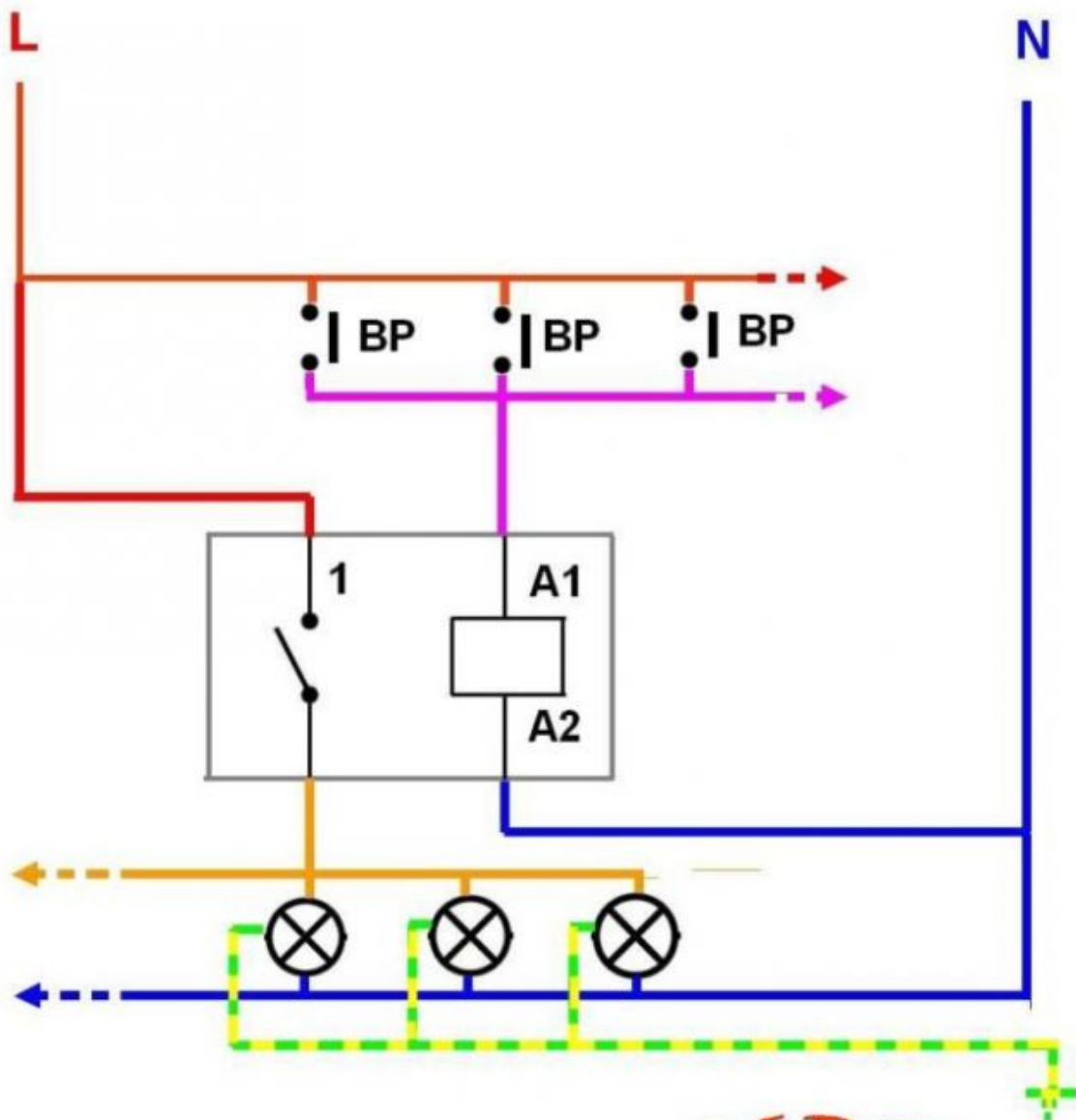
schéma électrique minuterie



- phase
- retour BP
- retour lampe
- neutre
- - - liaison équipotentielle



schéma électrique minuterie



- phase
- retour BP
- retour lampe
- neutre
- liaison équipotentielle



Private Picture Copyright : WWW.MBSM.PRO

- schéma électrique minuterie unipolaire
- branchement et installation d'une minuterie à 3 fils
- câblage et raccordement les différents types de minuterie Schneider, Hager, Legrand, Theben ...

schéma tableau électrique domestique

Category: electricity

written by www.mbsm.pro | 18 February 2021

schéma de branchement tableau électrique surface comprise entre 35 m² et 100 m²

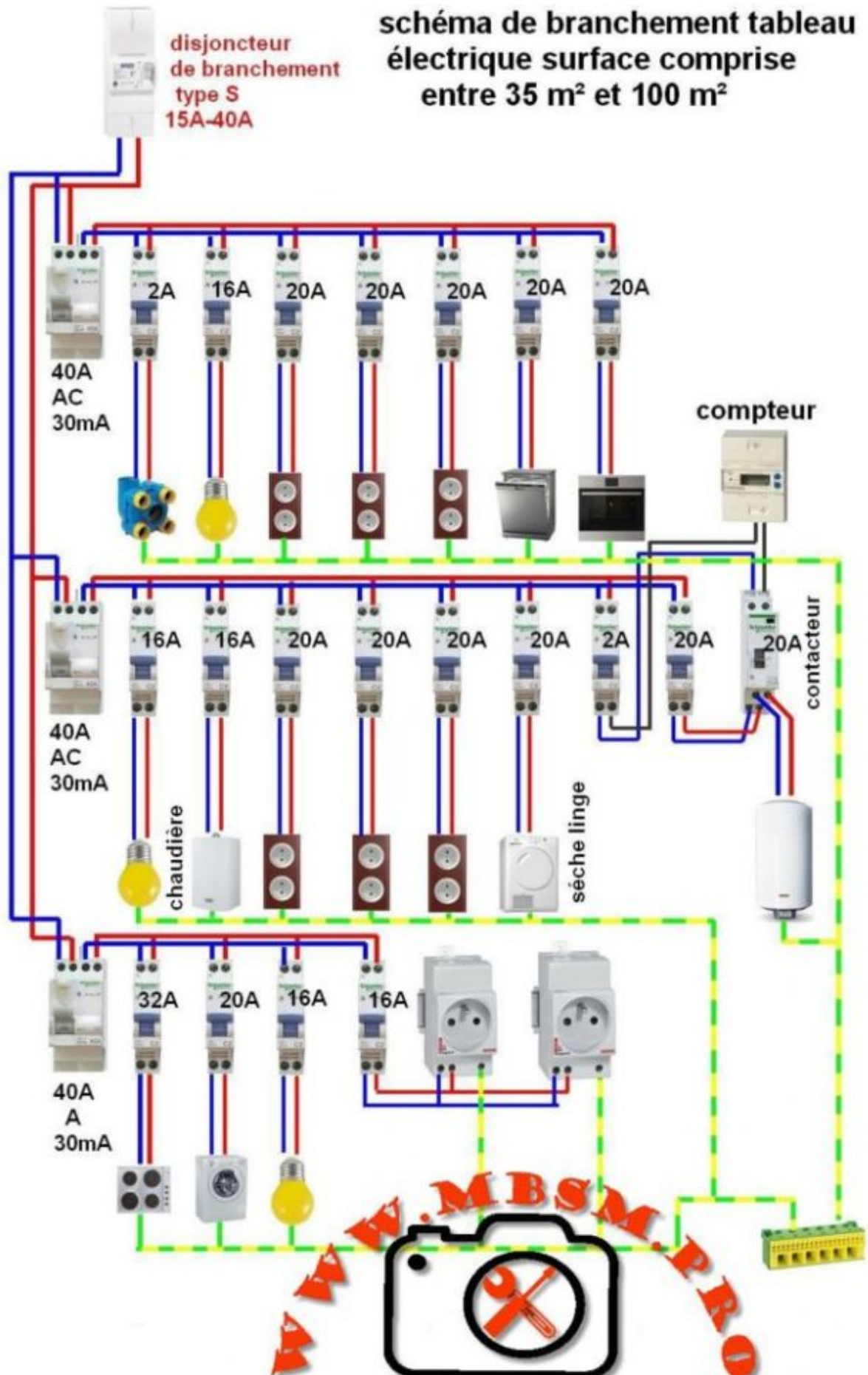
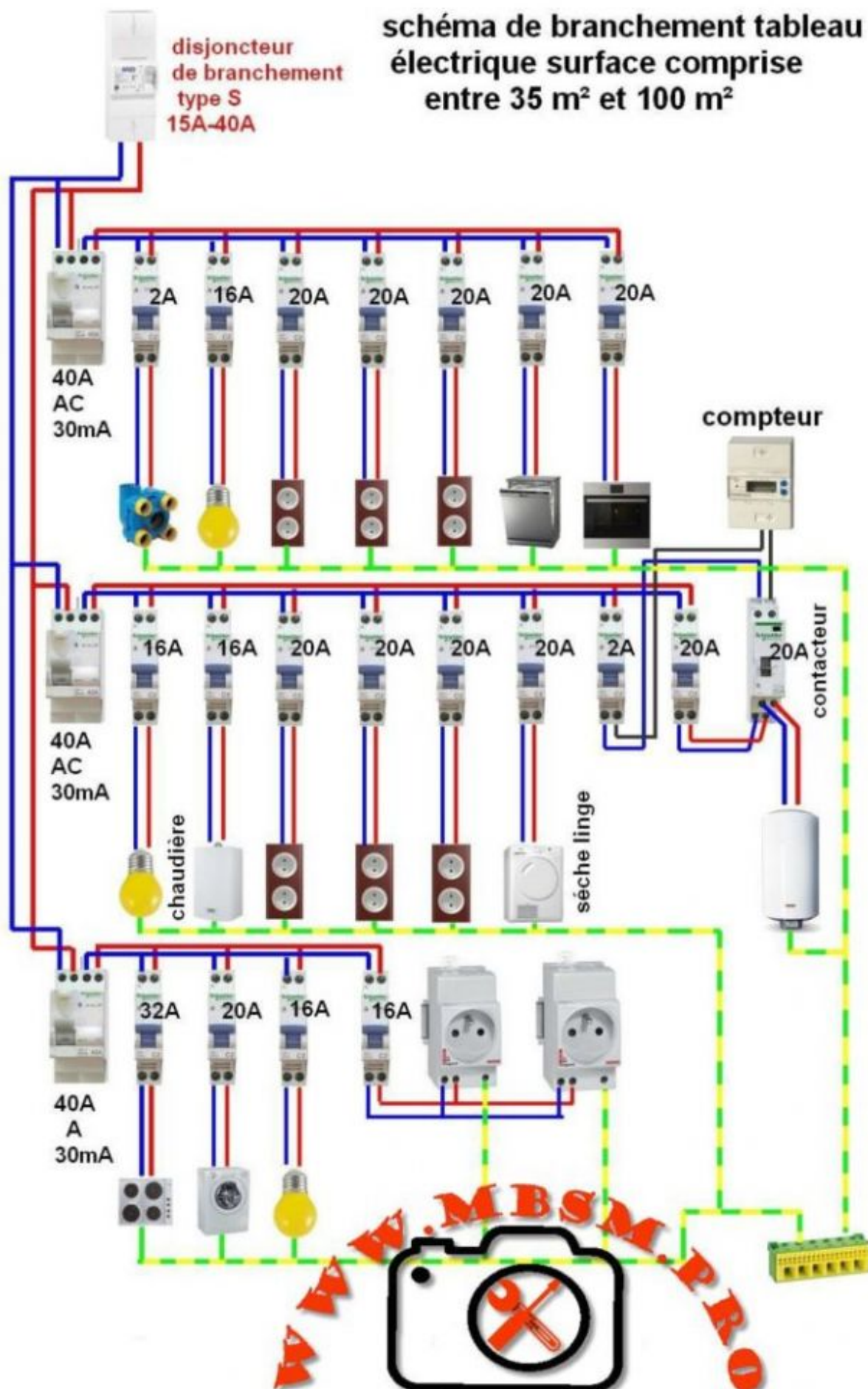


schéma de branchement tableau électrique surface comprise entre 35 m² et 100 m²

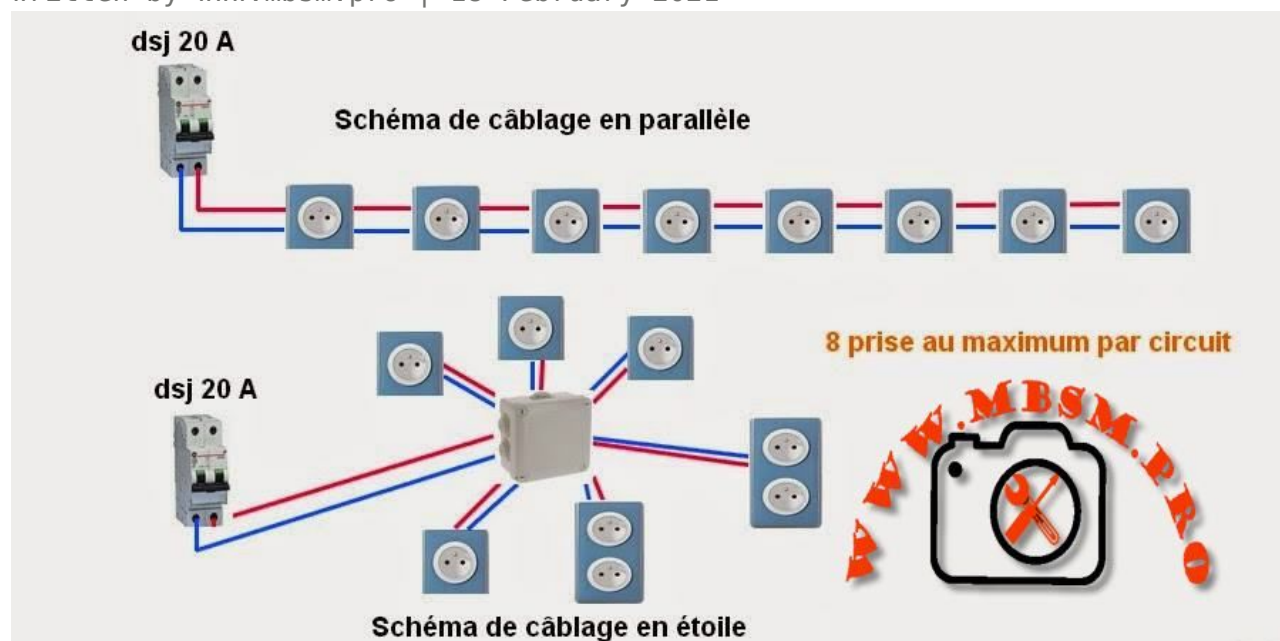


- schéma tableau électrique domestique
- câblage et branchement d'un tableau électrique selon les différents surface d'habitation
- norme électrique d'installation et raccordement d'un tableau a la maison

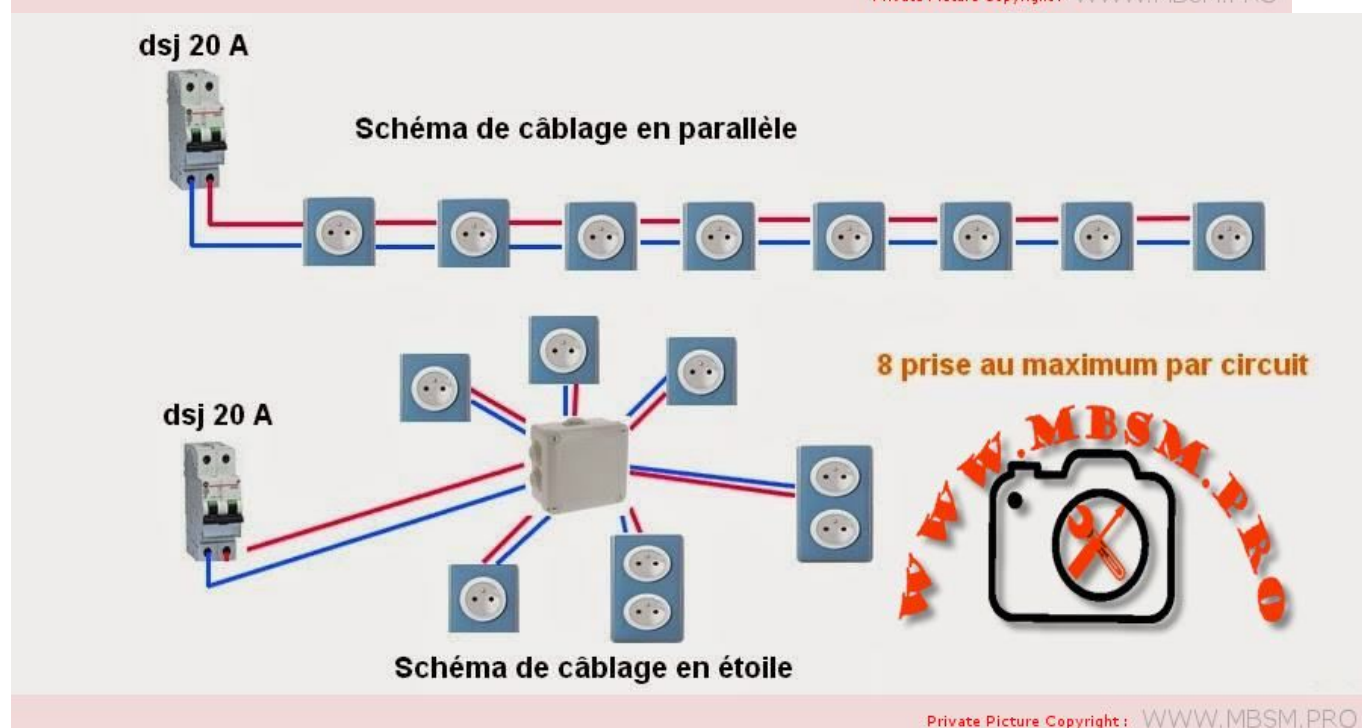
Schéma de câblage en parallèle et schéma de câblage en étoile

Category: electricity

written by www.mbsm.pro | 18 February 2021



Private Picture Copyright : WWW.MBSM.PRO



Private Picture Copyright : WWW.MBSM.PRO

KADA 2018D fer à souder électrique pistolet à air chaud deux-en-un station de soudure de reprise micro- ordinateur écran LCD

Category: électronique

written by www.mbsm.pro | 18 February 2021







KADA[®]

2018D+ Package A







Private Picture Copyright : WWW.MBSM.PRO

KADA 2018D fer à souder électrique pistolet à air chaud deux-en-un station de soudure de reprise micro-ordinateur écran LCD

Deuxièmement, les paramètres du produit:

Marque: KADA

Type d'affichage: écran LCD de micro-ordinateur

Tension d'entrée: AC220V / 110V/+/-10% 50HZ / 60HZ

Plage de température: pistolet à air chaud 100-480 degrés Celsius, station de soudure 200-480 degrés Celsius

Forme d'affichage: écran LCD

Puissance de la Machine: 680W

Type de flux d'air: vent doux de ventilateur sans brosse

Puissance de station de soudure: 75W

Volume d'air: 120 l / min (maximum)

Caractéristiques: fonction de sommeil intégrée sur crochet, mémoire de

température à trois vitesses intégrée du pistolet à air comprimé, fonction de charge du téléphone portable.

1. Commutateur de station de soudure
2. Poignée de station de soudure (ligne de connexion)
3. Réglage de la température de la station de soudage
4. Réglage de la température/volume d'air du pistolet thermique (la presse peut être convertie à volonté)
5. Poignée de pistolet thermique (ligne de connexion)
6. Interrupteur de pistolet thermique
7. CH1, CH2, CH3 sont le stockage de température à trois vitesses du pistolet thermique, qui peut stocker trois valeurs de température différentes de manière pratique et rapide.
8. interface de charge de téléphone portable USB
9. Interrupteur d'alimentation de la Machine
10. Trou de montage du fusible
11. Cordon d'alimentation jack
12. Fusible

Troisièmement, le mode d'emploi:

1. Démarrage: connectez la poignée, allumez l'alimentation pour allumer l'interrupteur d'alimentation, l'affichage affiche la valeur de température réglée en usine (pistolet à air chaud 100C, le plus grand volume d'air, poste à souder 200 °c)
- 2, réglage de la température/volume d'air: ajustez le bouton pour régler la valeur de température souhaitée, réglage du volume d'air du pistolet à air chaud doit appuyer sur le bouton de réglage pour convertir. CH1, CH2, CH3 sont des clés de mémoire de température. Réglez d'abord la température et le volume d'air requis, puis maintenez enfoncée la touche mémoire. Quand on entend un long anneau, cela signifie que la mémoire est terminée. Trois touches de mémoire enregistrent trois températures/volumes d'air différents.
- 3, ce produit intègre la fonction de charge de téléphone portable USB, ou peut être utilisé pour la sortie d'alimentation de mini lampe de table, peut produire plus de courant 1A. Le port USB se trouve sur le panneau arrière de la machine. Il est pratique et rapide de prendre de la place et d'autres fonctionnalités.
4. Avant de fermer le système, veuillez mettre la poignée dans le support. À ce moment, le système refroidira automatiquement pour entrer dans l'état de réserve. Après être entré dans l'état de veille, l'alimentation du système peut être coupée, sauf pour la station de soudure. Cette opération prolonge la durée de vie de l'élément chauffant.