



SCAN ME

GENERAL CATALOGUE

TECUMSEH EURO-MALAYSIA SDN. BHD.

18, Jalan Sultan Mohamed 4, Selat Klang Utara, 42000 Port Klang, Selangor Darul Ehsan.

TEL : +6 03 . 3176 3886

FAX : +6 03 . 3176 3890

EMAIL : tem.marketing@tecumseh.com





CONTENT

| | |
|------------------------------------|----|
| About Us | 04 |
| General Information | 07 |
| The Essentials | 08 |
| Refrigeration Compressors [50HZ] | 11 |
| Refrigeration Compressors [60HZ] | 32 |
| Manufacturing Workflow | 52 |
| Condensing Unit [50HZ] | 56 |
| Condensing Unit [60HZ] | 65 |
| Special Condensing Unit | 74 |
| Unit Cooler | 80 |

TECUMSEH HEADQUARTERS

MICHIGAN, USA (HQ)



MISSISSIPPI, USA



OTHER BRANCHES

VAULX MILIEU, FRANCE



BALLABGARH, INDIA



SAO CARLOS, BRAZIL



PORT KLANG, MALAYSIA



DEMONSTRATED PERFORMANCE

Tecumseh Products Company is renowned for bringing an extra dimension of product innovation, customer reliance, and product quality to the air conditioning and refrigeration industry. As a result of our innovative spirit and product performance, people rely on our products every day. We literally touch the lives of millions.

EARLY BEGINNINGS

We developed the first "hermetic" compressor for consumer refrigerators in 1937. As the name Tecumseh became synonymous with commercial refrigeration and central home air conditioning, we expanded our product line to include automotive air conditioning compressors in 1953. Our reputation for innovation was further enhanced in 1959 when we developed the first high-speed hermetically-sealed compressor for commercial applications.

A FOCUSED COMPANY

Although our product manufacturing focus remains constant, Tecumseh has substantially invested in research and development engineering laboratories in North America, Europe, South American and India. We've also partnered with R&D facilities at universities throughout the globe. These facilities are not just responsible for engineering product solutions, but our university partners also provide Life Science Research on how our products interface with mankind and the environment.

TECUMSEH INNOVATION

Today, we engineer a full line of hermetically-sealed compressors for residential and specialty air conditioning, home refrigerators and freezers, and commercial refrigeration. But our expertise doesn't stop there; we also offer a complete line of indoor and outdoor condensing units, evaporator coils, heat pumps, complete refrigeration systems and authorized spare parts.

GLOBAL PRODUCTS

Our products can be quickly accessed from manufacturing facilities on four continents when needed on a worldwide basis. We can provide coordination among our global facilities and your plant locations anywhere, so product selection, specifications and delivery of product are assured..

UNWAVERING COMMITMENT

Tecumseh has responded to the challenges of the refrigeration and air conditioning marketplace for over seven decades, leading the way with improved products and service in support of the industry we serve. A company-wide dedication to quality control has already earned Tecumseh the highest quality rating from major refrigeration and air conditioning manufacturers. And the people we employ are honoured to touch so many lives, in so many countries, every day.



OUR PRODUCTS & SPECIFICATIONS

COMPRESSORS

| EN12900 | DOMESTIC APPLICATION | LBP | HP / MHBP | AC |
|-------------------------|----------------------|---------|-----------|---------|
| Evaporating Temperature | - 25 °C | - 35 °C | + 5 °C | + 5 °C |
| Condensing Temperature | + 55 °C | + 40 °C | + 50 °C | + 50 °C |
| Return Gas Temperature | + 32 °C | + 20 °C | + 20 °C | + 15 °C |
| Sub-cooling | OK | OK | OK | OK |

| ASHRAE | DOMESTIC APPLICATION | LBP | HP / MHBP |
|-------------------------|----------------------|-----------|------------|
| Evaporating Temperature | - 23.3 °C | - 23.3 °C | + 7.2 °C |
| Condensing Temperature | + 54.5 °C | + 54.5 °C | + 54.5 °C |
| Return Gas Temperature | + 32 °C | + 32 °C | + 35 °C |
| Liquid Temperature | + 32 °C | + 32 °C | + 46.12 °C |

CONDENSING UNIT

| EN13215 | DOMESTIC APPLICATION | LBP | HP / MHBP |
|-------------------------|----------------------|---------|-----------|
| Evaporating Temperature | - 25 °C | - 35 °C | + 5 °C |
| Ambient Temperature | + 32 °C | + 40 °C | + 32 °C |
| Return Gas Temperature | + 32 °C | + 20 °C | + 20 °C |
| Sub-cooling | 3K | 3K | 3K |

Unit Conversion

*For the conversion of the refrigeration capacity from watt at 50 Hz to :

Btu/hr at 50 Hz, use multiplying factor 3.41
Kcal/hr at 50 Hz, use multiplying factor 0.86

Conversion factor for obtaining the capacity in HP

- in medium and high back pressure and all air conditioning. $HP = \frac{\text{Performance at 60 Hz in Btu/hr}}{12,000}$
(Evap Temp : + 7.2 °C, Cond Temp. : 54.5 °C)

- in low back pressure $HP = \frac{\text{Performance at 60 Hz in Btu/hr}}{4,000}$
(Evap Temp : - 23.3 °C, Cond Temp. : 54.5 °C)

VOLTAGE CODE

| Code | FZ | TZ | KS | GF | CG | CF | JF |
|--------------------|-----------|-----------|-----------|-----------|-----------|-----------|-----------|
| Phase | 1 | 3 | 1 | 3 | 1 | 1 | 1 |
| 50 Hz Rated (V) | 220 - 240 | 400 | 220 - 240 | 400 | 230 | 230 | 230 |
| Approved Range (V) | 198 - 264 | 340 - 440 | 198 - 264 | 340 - 460 | 170 - 260 | 160 - 260 | 160 - 260 |
| 60 Hz Rated (V) | - | 440 | - | - | - | - | - |
| Approved Range (V) | - | 396 - 499 | - | - | - | - | - |

| Code | FS | JE | XC | XG | GE | GH |
|--------------------|-----------|-----------|-----------|-----------|-----------|-----------|
| Phase | 1 | 1 | 1 | 3 | 1 | 1 |
| 50 Hz Rated (V) | 220 | 230 | 220 - 240 | 380 - 420 | 230 | 230 |
| Approved Range (V) | 180 - 242 | 180 - 260 | 198 - 264 | 342 - 462 | 180 - 264 | 187 - 264 |
| 60 Hz Rated (V) | - | - | - | 460 | - | - |
| Approved Range (V) | - | - | - | 414 - 506 | - | - |

THE ESSENTIALS



PISTON
MODEL



NEW GENERATION HIGH-EFFICIENCY COMPRESSOR

SPECIFICATIONS

Evaporation Ranges :

High Back Pressure : -15 °C to 15 °C (5° F to 59 °F)
 Low Back Pressure : -40 °C to -10 °C (-40° F to 14 °F)

Refrigerants :

R134a, R404A, R290

Capacity :

From 150 W to 1,600 W (EN 12900)



PISTON
MODEL



THE REFERENCE PRODUCT COMBINING SILENCE, RELIABILITY AND EFFICIENCY OF COMMERCIAL COOLING

SPECIFICATIONS

Evaporation Ranges :

High Back Pressure : -15 °C to 15 °C (5° F to 59 °F)
 Low Back Pressure : -40 °C to -10 °C (-40° F to 14 °F)

Refrigerants :

R134a, R404A, R290, R1234yf, R22

Capacity :

From 380 W to 4,700 W (EN 12900)



PISTON
MODEL



ROBUST, ECONOMY & HIGH PERFORMANCE

SPECIFICATIONS

Evaporation Ranges :

High Back Pressure : -23 °C to 10 °C (-10° F to 50 °F)
 Low Back Pressure : -40 °C to -12 °C (-40° F to 10 °F)

Refrigerants :

R134a, R404A, R22

Capacity :

From 280 W to 4,300 W (ASHRAE)



PISTON
MODEL



LEVERAGES ON ROBUST DESIGN TO MEET VIGOROUS DEMANDS

SPECIFICATIONS

Evaporation Ranges :

High Back Pressure : -23 °C to 10 °C (-10° F to 50 °F)
 Low Back Pressure : -40 °C to -12 °C (-40° F to 10 °F)

Refrigerants :

R22, R404A

Capacity :

From 1,100 W to 8,500 W (ASHRAE)

EXPLANATION OF THE MODEL NAME DESCRIPTION



T

No letter = single-phase low torque
 C = single-phase high torque
 T = three-phase



AJ

Families :

- TH
- FH
- RK
- AEZ
- AG
- VS
- AE
- HG
- AJ
- RG



4

Applications

- 1 = Low evaporation pressure. Motor with normal starting torque.
- 2 = Low evaporation pressure. Motor with high starting torque.
- 3 = High evaporation pressure. Motor with normal starting torque.
- 4 = High evaporation pressure. Motor with high starting torque.
- 5 = Air conditioning.
- 9 = Medium and high evaporation pressure. Motor with high starting torque.
- 0 = Medium and high evaporation pressure. Motor with normal starting torque.


**PISTON
MODEL**

FH

BI-CYLINDER COMPRESSOR KNOWN FOR ITS RELIABILITY IN COMMERCIAL COOLING

SPECIFICATIONS
Evaporation Ranges :

High Back Pressure : -15 °C to 15 °C (5° F to 59 °F)

Low Back Pressure : -40 °C to -10 °C (-40° F to 14 °F)

Refrigerants :

R134a, R404A, R22

Capacity :

From 1,100 W to 8,500 W (EN 12900)


**PISTON
MODEL**

AV

A HIGH-YIELD SOLUTION FOR HIGH POWER INSTALLATION

SPECIFICATIONS
Evaporation Ranges :

High Back Pressure : -23 °C to 10 °C (-10° F to 50 °F)

Low Back Pressure : -40 °C to -12 °C (-40° F to 10 °F)

Refrigerants :

R404A, R22

Capacity :

From 1,100 W to 15,000 W (ARI)


**PISTON
MODEL**

AG

TRI-CYLINDER COMPRESSOR WITH HIGH EFFICIENCY AND RELIABILITY IN NEGATIVE AND POSITIVE COMMERCIAL COOLING

SPECIFICATIONS
Evaporation Ranges :

High Back Pressure : -15 °C to 15 °C (5° F to 59 °F)

Low Back Pressure : -40 °C to -10 °C (-40° F to 14 °F)

Refrigerants :

R134a, R404A, R22

Capacity :

From 1,700 W to 17,000 W (EN 12900)


**PISTON
MODEL**

SH

A HIGH-YIELD SOLUTION FOR HIGH POWER INSTALLATION

SPECIFICATIONS
Evaporation Ranges :

High Back Pressure : -15 °C to 15 °C (5° F to 59 °F)

Low Back Pressure : -40 °C to -10 °C (-40° F to 14 °F)

Refrigerants :

R404A, R134a, R22

Capacity :

From 3,000 W to 67,000 W (EN 12900)

4 ▶ 5

Number of figures making up the cooling power.

Example: 19 000 BTU/h

5 ▶ 19

Corresponds to the first figures of the cooling power expressed in BTH/h at 60Hz as per the conditions given.

Example: 10 preceded by 5 means: 19 000 BTU/h

6 ▶ Z

A, B, C ou D = refrigerant R-12

C = refrigerant R-407c (Air conditioning) W = refrigerant R-407c / R-22

E, F, G ou H = refrigerant R-22

M = refrigerant R-600a

T = refrigerant R-22 ou R-502

U = refrigerant R-290

W = refrigerant R-407c / R-22

Y = refrigerant R-134a

Z = refrigerant R-404A ou R-407B ou R-507

THE ESSENTIALS



ROTARY
MODEL

RG

THE SOLUTION FOR HIGH - YIELD APPLICATION

SPECIFICATIONS

Evaporation Ranges :

High Back Pressure : -15 °C to 15 °C (5° F to 59 °F)

Low Back Pressure : -40 °C to -10 °C (-40° F to 14 °F)

Refrigerants :

R134A, R404A, R290

Capacity :

From 330 W to 2,400 W (EN 12900)



ROTARY
MODEL

RK

THE SOLUTION FOR HIGH - YIELD APPLICATION

SPECIFICATIONS

Evaporation Ranges :

High Back Pressure : -15 °C to 15 °C (5° F to 59 °F)

Low Back Pressure : -40 °C to -10 °C (-40° F to 14 °F)

Refrigerants :

R134A, R404A, R290

Capacity :

From 330 W to 2,400 W (EN 12900)



ROTARY
MODEL

HG

THE SOLUTION FOR HIGH -YIELD APPLICATIONS
WITH REDUCED OVERALL DIMENSIONS

SPECIFICATIONS

Evaporation Ranges :

High Back Pressure : -15 °C to 15 °C (5° F to 59 °F)

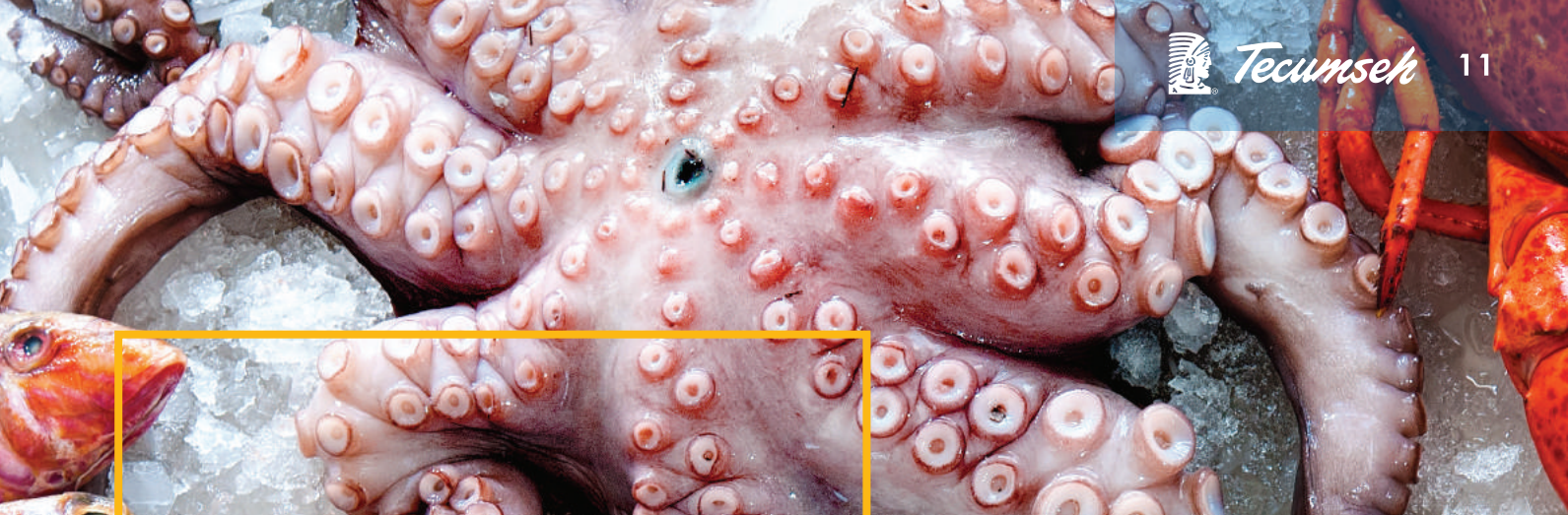
Low Back Pressure : -40 °C to -10 °C (-40° F to 14 °F)

Coolants :

R134A, R404A, R290

Capacity :

From 330 W to 2,400 W (EN 12900)



REFRIGERATION COMPRESSORS

50HZ



▶ 50 HZ RANGE [AE²]

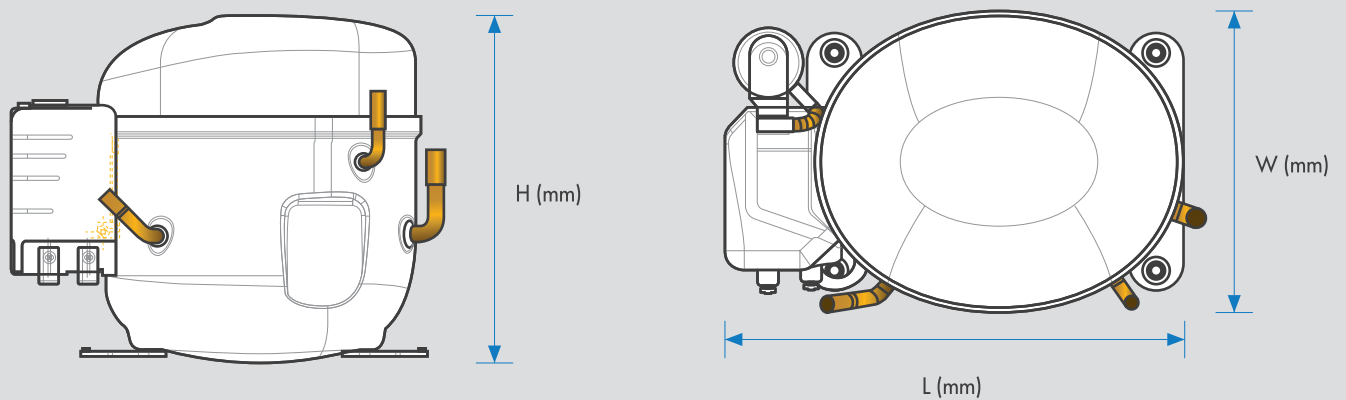


AE² Compressors for 50 Hz Range



Dimension Specification for AE²

Specification drawing is for reference only, for detail information please refer to our staffs.



| DIMENSION I | | | DIMENSION II | | |
|-------------|------------|-------------|--------------|------------|-------------|
| Height (mm) | Width (mm) | Length (mm) | Height (mm) | Width (mm) | Length (mm) |
| 197.0 | 158.0 | 250.0 | 208.0 | 158.0 | 250.0 |

| MODEL | HP | Disp. (cm ³) | Motor Type | CAPACITY (Watt) | | | | | CURRENT (A) | | COP (W/W) | DIAMETER OF CONNECTION | | DIMENSION | WEIGHT (KG) | |
|------------|------------|--------------------------|------------|-----------------|---------|---------|---------|---------|--------------|----------------|-----------|------------------------|--------------------|--------------|-------------|------|
| | | | | - 40 °C | - 35 °C | - 30 °C | - 25 °C | - 20 °C | I Nom (Amps) | LRA Max (Amps) | | SUCTION (mm/Inches) | LIQUID (mm/Inches) | | | |
| LBP R-404A | AE2410Z-FZ | 1/4 | 5.02 | CSIR | 79.2 | 120.0 | 168.0 | 225.0 | 291.0 | 1.57 | 11.50 | 0.77 | 6.35 (1/4") | 4.76 (3/16") | I | 9.6 |
| | AE2415Z-FZ | 3/8 | 7.33 | CSIR | 139.0 | 194.0 | 260.0 | 338.0 | 429.0 | 1.90 | 12.50 | 0.90 | 6.35 (1/4") | 4.76 (3/16") | II | 10.4 |
| | AE2420Z-FZ | 1/2 | 9.35 | CSIR | 175.0 | 246.0 | 332.0 | 434.0 | 555.0 | 2.55 | 18.50 | 0.98 | 9.50 (3/8") | 6.35 (1/4") | II | 11.2 |
| | AE2425Z-FZ | 5/8 | 12.01 | CSIR | 234.0 | 329.0 | 441.0 | 572.0 | 723.0 | 3.17 | 19.50 | 1.02 | 9.50 (3/8") | 6.35 (1/4") | II | 11.4 |
| LBP R-134A | AE1390Y-FZ | 1/6 | 8.02 | PTCSIR | - | 74.8 | 112.0 | 159.0 | 214.0 | 1.40 | 15.00 | 0.90 | 6.35 (1/4") | 4.76 (3/16") | I | 9.5 |
| | AE2390Y-FZ | 1/6 | 8.02 | CSIR | - | 74.8 | 112.0 | 159.0 | 214.0 | 1.33 | 9.50 | 0.90 | 6.35 (1/4") | 4.76 (3/16") | I | 9.5 |
| | AE2410Y-FZ | 1/4 | 9.39 | CSIR | - | 87.7 | 125.0 | 176.0 | 239.0 | 1.40 | 9.00 | 0.91 | 7.90 (5/16") | 6.35 (1/4") | I | 9.5 |
| | AE2413Y-FZ | 1/3 | 12.01 | CSIR | - | 114.0 | 165.0 | 229.0 | 307.0 | 1.77 | 12.00 | 0.90 | 7.90 (5/16") | 6.35 (1/4") | II | 10.5 |
| | AE2415Y-GH | 3/8 | 12.48 | CSIR | - | 114.0 | 165.0 | 229.0 | 307.0 | 1.78 | 14.50 | 0.90 | 7.90 (5/16") | 6.35 (1/4") | II | 11.2 |
| LBP R-290 | AE2410U-FZ | 1/4 | 5.02 | CSIR | 75.7 | 113.0 | 160.0 | 216.0 | 282.0 | 1.5 | 12.10 | 0.79 | 6.35 (1/4") | 4.76 (3/16") | II | 10.2 |
| | AE2415U-FZ | 3/8 | 8.85 | CSIR | 121.0 | 183.0 | 256.0 | 339.0 | 434.0 | 1.92 | 12.50 | 0.93 | 6.35 (1/4") | 4.76 (3/16") | II | 10.2 |
| | AE2420U-FZ | 1/2 | 9.35 | CSIR | 203.0 | 274.0 | 357.0 | 454.0 | 567.0 | 2.50 | 13.50 | 1.04 | 9.50 (3/8") | 6.35 (1/4") | II | 11.3 |

| MODEL | HP | Disp. (cm ³) | Motor Type | CAPACITY (Watt) | | | | | CURRENT (A) | | COP (W/W) | DIAMETER OF CONNECTION | | DIMENSION | WEIGHT (KG) | |
|------------|-----------|--------------------------|------------|-----------------|---------|--------|--------|--------|--------------|----------------|-----------|------------------------|--------------------|--------------|-------------|------|
| | | | | - 15 °C | - 10 °C | - 5 °C | 0 °C | 5 °C | I Nom (Amps) | LRA Max (Amps) | | SUCTION (mm/Inches) | LIQUID (mm/Inches) | | | |
| HBP R-404A | AE4425ZFZ | 1/5 | 4.24 | CSIR | 228.0 | 290.0 | 362.0 | 446.0 | 545.0 | 1.89 | 11.00 | 1.99 | 6.35 (1/4") | 4.76 (3/16") | I | 9.7 |
| | AE4430ZFZ | 1/4 | 5.16 | CSIR | 285.0 | 361.0 | 447.0 | 547.0 | 661.0 | 2.14 | 12.00 | 2.00 | 6.35 (1/4") | 4.76 (3/16") | † | 9.7 |
| | AE4440ZFZ | 1/3 | 6.69 | CSIR | 383.0 | 486.0 | 603.0 | 737.0 | 892.0 | 2.74 | 16.00 | 2.09 | 9.50 (3/8") | 6.35 (1/4") | II | 10.2 |
| | AE4450ZFZ | 3/8 | 8.85 | CSIR | 510.0 | 642.0 | 791.0 | 959.0 | 1151.0 | 3.52 | 17.50 | 2.01 | 9.50 (3/8") | 6.35 (1/4") | II | 10.5 |
| | AE4460ZFZ | 1/2 | 10.33 | CSIR | 636.0 | 784.0 | 952.0 | 1144.0 | 1363.0 | 4.27 | 19.00 | 2.02 | 9.50 (3/8") | 6.35 (1/4") | I | 11.4 |
| | AE4470ZFZ | 5/8 | 12.10 | CSR | 759.0 | 934.0 | 1129.0 | 1349.0 | 1598.0 | 3.90 | 18.20 | 2.08 | 9.50 (3/8") | 6.35 (1/4") | II | 11.5 |
| HBP R-134A | AE4425YFZ | 1/5 | 6.69 | CSIR | 193.0 | 265.0 | 348.0 | 443.0 | 552.0 | 1.65 | 10.50 | 2.17 | 6.35 (1/4") | 4.76 (3/16") | I | 9.1 |
| | AE4430YFZ | 1/4 | 8.02 | CSIR | 270.0 | 352.0 | 450.0 | 566.0 | 702.0 | 2.13 | 11.50 | 2.25 | 6.35 (1/4") | 4.76 (3/16") | I | 9.4 |
| | AE4440YFZ | 1/3 | 10.33 | CSIR | 369.0 | 471.0 | 591.0 | 733.0 | 899.0 | 2.51 | 13.50 | 2.18 | 7.90 (5/16") | 6.35 (1/4") | I | 9.6 |
| | AE4450YFZ | 3/8 | 13.24 | CSIR | 482.0 | 619.0 | 779.0 | 964.0 | 1180.0 | 3.23 | 17.00 | 2.31 | 9.50 (3/8") | 6.35 (1/4") | II | 11.2 |
| | AE4456YFZ | 1/2 | 14.51 | CSIR | 534.0 | 682.0 | 854.0 | 1052.0 | 1282.0 | 3.66 | 17.50 | 2.20 | 9.50 (3/8") | 6.35 (1/4") | II | 11.2 |
| | AE4460YFZ | 1/2 | 15.09 | CSIR | 535.0 | 689.0 | 863.0 | 1061.0 | 1289.0 | 3.81 | 18.00 | 2.11 | 9.50 (3/8") | 6.35 (1/4") | II | 11.2 |
| | AE4460YFZ | 1/2 | 15.09 | CSR | 548.0 | 707.0 | 889.0 | 1098.0 | 1338.0 | 3.05 | 18.50 | 2.39 | 9.50 (3/8") | 6.35 (1/4") | II | 11.2 |
| HBP R-290 | AE4425UFZ | 1/5 | 5.02 | CSIR | 250.0 | 318.0 | 395.0 | 483.0 | 582.0 | 1.55 | 9.50 | 2.34 | 6.35 (1/4") | 4.76 (3/16") | I | 9.4 |
| | AE4430UFZ | 1/4 | 6.12 | CSIR | 301.0 | 382.0 | 473.0 | 577.0 | 695.0 | 1.88 | 11.00 | 2.40 | 6.35 (1/4") | 4.76 (3/16") | I | 9.6 |
| | AE4440UFZ | 1/3 | 8.02 | CSIR | 411.0 | 508.0 | 620.0 | 748.0 | 895.0 | 2.38 | 12.50 | 2.35 | 7.90 (5/16") | 6.35 (1/4") | II | 9.5 |
| | AE4450UFZ | 3/8 | 10.33 | CSIR | 559.0 | 688.0 | 836.0 | 1007.0 | 1203.0 | 3.14 | 14.50 | 2.39 | 9.50 (3/8") | 6.35 (1/4") | II | 10.5 |
| | AE4460UFZ | 1/2 | 12.01 | CSIR | 580.0 | 738.0 | 918.0 | 1124.0 | 1359.0 | 3.66 | 17.50 | 2.34 | 9.50 (3/8") | 6.35 (1/4") | II | 11.1 |



**SUITABLE
FOR FROZEN FOOD
& OTHERS INDUSTRIES**

▶ 50 HZ RANGE [AJ²]

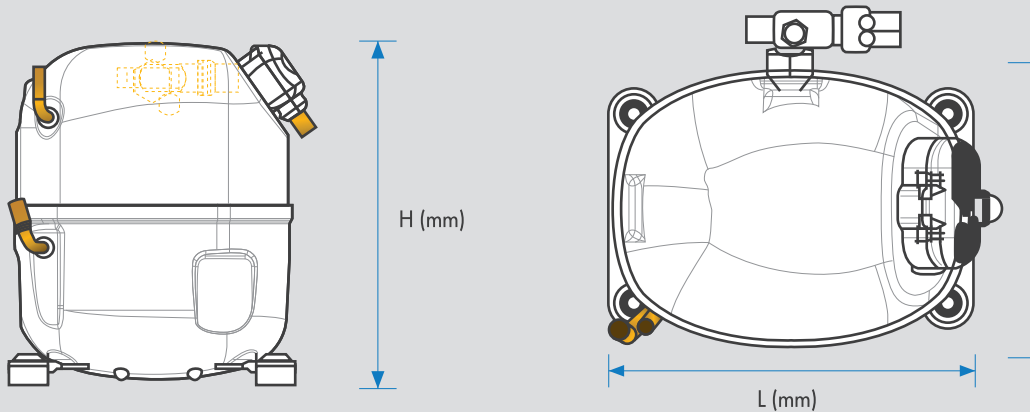


AJ² Compressors for 50 Hz Range



Dimension Specification for AJ²

Specification drawing is for reference only, for detail information please refer to our staffs.



| DIMENSION I | | | DIMENSION II | | |
|-------------|------------|-------------|--------------|------------|-------------|
| Height (mm) | Width (mm) | Length (mm) | Height (mm) | Width (mm) | Length (mm) |
| 268.0 | 178.5 | 246.0 | 280.0 | 178.5 | |

| MODEL | HP | Disp. (cm ³) | Motor Type | CAPACITY (Watt) | | | | | CURRENT (A) | | COP (W/W) | DIAMETER OF CONNECTION | | DIMENSION | WEIGHT (KG) | |
|------------|-------------|--------------------------|------------|-----------------|---------|---------|---------|---------|--------------|--------------|-----------|------------------------|--------------------|-------------|-------------|------|
| | | | | - 40 °C | - 35 °C | - 30 °C | - 25 °C | - 20 °C | I Nom (Amps) | I Max (Amps) | | SUCTION (mm/Inches) | LIQUID (mm/Inches) | | | |
| LBP R-404A | CAJ2428Z-FZ | 7/10 | 15.20 | CSIR | 202 | 306 | 434 | 589 | 773 | 3.3 | 5.1 | 0.83 | 12.7 (1/2") | 6.35 (1/4") | I | 19.4 |
| | TAJ2428Z-TZ | 7/10 | 15.20 | TRI | 205 | 309 | 436 | 590 | 775 | 1.1 | 2.1 | 0.91 | 12.7 (1/2") | 6.35 (1/4") | I | 18.6 |
| | CAJ2432Z-FZ | 3/4 | 18.30 | CSR | 249 | 381 | 542 | 738 | 971 | 2.4 | 5.9 | 0.91 | 12.7(1/2") | 7.9(5/16") | I | 20.1 |
| | TAJ2432Z-TZ | 3/4 | 18.30 | TRI | 241 | 372 | 533 | 726 | 956 | 1.2 | 2.2 | 0.99 | 12.7 (1/2") | 7.9 (5/16") | I | 18.1 |
| | CAJ2440Z-FZ | 1 | 21.00 | CSR | 311 | 463 | 647 | 870 | 1135 | 3.0 | 5.7 | 0.93 | 12.7 (1/2") | 7.9 (5/16") | II | 21.4 |
| | CAJ2446Z-FZ | 1 | 26.20 | CSR | 429 | 627 | 859 | 1133 | 1451 | 4.0 | 8.2 | 1.04 | 12.7 (1/2") | 7.9 (5/16") | II | 21.4 |
| | TAJ2446Z-TZ | 1 | 26.20 | TRI | 410 | 597 | 821 | 1086 | 1397 | 1.5 | 2.9 | 1.03 | 12.7 (1/2") | 7.9 (5/16") | II | 20.9 |
| | CAJ2464Z-FZ | 1 1/2 | 34.50 | CSR | 589 | 828 | 1116 | 1459 | 1864 | 5.7 | 10.0 | 0.98 | 15.9 (5/8") | 9.5 (3/8") | II | 22.2 |
| | TAJ2464Z-TZ | 1 1/2 | 34.50 | TRI | 578 | 820 | 1108 | 1449 | 1850 | 2.2 | 3.8 | 1.05 | 15.9 (5/8") | 9.5 (3/8") | II | 21.2 |
| LBP R-290 | CAJ2446U-FZ | 1 | 26.20 | CSR | 435 | 586 | 768 | 988 | 1255 | 3.7 | 7.0 | 1.12 | 12.7 (1/2") | 7.9 (5/16") | I | 21.0 |
| | CAJ2464U-FZ | 1 1/2 | 34.50 | CSR | 604 | 799 | 1039 | 1332 | 1685 | 5.0 | 8.9 | 1.16 | 12.7 (1/2") | 9.5 (3/8") | I | 21.0 |

| MODEL | HP | Disp. (cm ³) | Motor Type | CAPACITY (Watt) | | | | | CURRENT (A) | | COP (W/W) | DIAMETER OF CONNECTION | | DIMENSION | WEIGHT (KG) | |
|--------------|-------------|--------------------------|------------|-----------------|---------|--------|------|------|--------------|--------------|-----------|------------------------|--------------------|-------------|-------------|------|
| | | | | - 15 °C | - 10 °C | - 5 °C | 0 °C | 5 °C | I Nom (Amps) | I Max (Amps) | | SUCTION (mm/Inches) | LIQUID (mm/Inches) | | | |
| HBP R-404A | CAJ9480Z-FZ | 2/3 | 15.20 | CSR | 807 | 1024 | 1271 | 1554 | 1879 | 4.3 | 6.7 | 2.10 | 12.7 (1/2") | 7.9 (5/16") | I | 20.1 |
| | TAJ9480Z-TZ | 2/3 | 15.20 | TRI | 819 | 1043 | 1298 | 1592 | 1928 | 1.8 | 3.4 | 2.15 | 12.7 (1/2") | 7.9 (5/16") | I | 19.8 |
| | CAJ9510Z-FZ | 1 | 18.30 | CSR | 1022 | 1289 | 1594 | 1945 | 2348 | 5.4 | 8.4 | 2.13 | 15.9 (5/8") | 7.9 (5/16") | II | 21.4 |
| | TAJ9510Z-TZ | 1 | 18.30 | TRI | 1030 | 1298 | 1602 | 1947 | 2343 | 2.1 | 3.8 | 2.07 | 15.9 (5/8") | 7.9 (5/16") | II | 20.0 |
| | CAJ9513Z-FZ | 1 1/8 | 24.20 | CSR | 1233 | 1600 | 2016 | 2489 | 3027 | 6.7 | 11.3 | 2.28 | 15.9 (5/8") | 7.9 (5/16") | II | 21.5 |
| | TAJ9513Z-TZ | 1 1/8 | 24.20 | TRI | 1182 | 1536 | 1938 | 2397 | 2923 | 2.8 | 4.4 | 2.17 | 15.9 (5/8") | 7.9 (5/16") | II | 19.9 |
| | CAJ4517Z-FZ | 1 1/2 | 25.95 | CSR | 1448 | 1830 | 2263 | 2757 | 3322 | 7.3 | 12.7 | 2.24 | 15.9 (5/8") | 9.5 (3/8") | II | 21.6 |
| | TAJ4517Z-TZ | 1 1/2 | 25.95 | TRI | 1389 | 1805 | 2266 | 2783 | 3366 | 3.0 | 4.4 | 2.16 | 15.9 (5/8") | 9.5 (3/8") | II | 20.0 |
| | CAJ4519Z-FZ | 1 3/5 | 34.50 | CSR | 1866 | 2386 | 2966 | 3619 | 4360 | 9.9 | 15.2 | 2.09 | 15.9 (5/8") | 9.5 (3/8") | II | 21.6 |
| | TAJ4519Z-TZ | 1 3/5 | 34.45 | TRI | 1864 | 2366 | 2922 | 3545 | 4246 | 4.0 | 6.2 | 2.09 | 15.9 (5/8") | 9.5 (3/8") | II | 20.5 |
| HBP R-22 | CAJ9480T-FZ | 2/3 | 15.20 | CSR | 762 | 971 | 1218 | 1510 | 1854 | 3.9 | 5.3 | 2.34 | 12.7 (1/2") | 7.9 (5/16") | I | 19.8 |
| | TAJ9480T-TZ | 2/3 | 15.20 | TRI | 891 | 1125 | 1404 | 1728 | 2096 | 1.7 | 2.8 | 2.39 | 12.7 (1/2") | 7.9 (5/16") | I | 19.0 |
| | CAJ9510T-FZ | 1 | 18.30 | CSR | 965 | 1224 | 1527 | 1882 | 2297 | 4.8 | 7.8 | 2.37 | 15.9 (5/8") | 7.9 (5/16") | II | 21.1 |
| | TAJ9510T-TZ | 1 | 18.30 | TRI | 1083 | 1368 | 1701 | 2081 | 2509 | 1.8 | 3.1 | 2.37 | 15.9 (5/8") | 7.9 (5/16") | II | 20.1 |
| | CAJ9513T-FZ | 1 1/8 | 24.20 | CSR | 1217 | 1565 | 1974 | 2453 | 3013 | 6.0 | 9.6 | 2.55 | 15.9 (5/8") | 7.9 (5/16") | II | 21.5 |
| | TAJ9513T-TZ | 1 1/8 | 24.20 | TRI | 1208 | 1555 | 1965 | 2448 | 3015 | 2.3 | 3.4 | 2.53 | 15.9 (5/8") | 7.9 (5/16") | II | 19.3 |
| | CAJ4517T-FZ | 1 1/2 | 25.95 | CSR | 1399 | 1864 | 2390 | 2975 | 3621 | 6.1 | 10.0 | 2.61 | 15.9 (5/8") | 9.5 (3/8") | II | 22.2 |
| | TAJ4517T-TZ | 1 1/2 | 25.95 | TRI | 1399 | 1864 | 2390 | 2975 | 3621 | 2.5 | 2.7 | 2.53 | 15.9 (5/8") | 9.5 (3/8") | II | 19.5 |
| | TAJ4519T-TZ | 1 3/5 | 34.50 | TRI | 2017 | 2568 | 3205 | 3928 | 4738 | 3.5 | 4.2 | 2.55 | 15.9 (5/8") | 9.5 (3/8") | II | 20.4 |
| HBP R-134a | CAJ4452Y-FZ | 2/5 | 15.20 | CSIR | 379 | 533 | 711 | 920 | 1166 | 3.5 | 5.2 | 2.17 | 12.7 (1/2") | 6.35 (1/4") | I | 18.7 |
| | TAJ4452Y-TZ | 2/5 | 15.20 | TRI | 423 | 583 | 775 | 996 | 1245 | 1.1 | 1.8 | 2.48 | 12.7 (1/2") | 6.35 (1/4") | I | 17.8 |
| | CAJ4461Y-FZ | 1/2 | 18.30 | CSIR | 519 | 686 | 888 | 1131 | 1421 | 4.0 | 5.9 | 2.18 | 12.7 (1/2") | 6.35 (1/4") | I | 18.4 |
| | TAJ4461Y-TZ | 1/2 | 18.30 | TRI | 543 | 719 | 930 | 1182 | 1482 | 1.3 | 2.3 | 2.50 | 12.7 (1/2") | 6.35 (1/4") | I | 17.8 |
| | CAJ4476Y-FZ | 2/3 | 21.80 | CSIR | 564 | 785 | 1043 | 1343 | 1692 | 4.9 | 6.9 | 2.20 | 12.7 (1/2") | 6.35 (1/4") | I | 18.5 |
| | CAJ4492Y-FZ | 3/4 | 25.95 | CSIR | 722 | 996 | 1313 | 1681 | 2108 | 5.7 | 8.9 | 2.30 | 12.7 (1/2") | 7.9 (5/16") | II | 20.3 |
| | TAJ4492Y-TZ | 3/4 | 25.95 | TRI | 696 | 993 | 1327 | 1707 | 2140 | 1.7 | 3.5 | 2.87 | 12.7 (1/2") | 7.9 (5/16") | II | 19.0 |
| | CAJ4511Y-FZ | 1 | 32.70 | CSR | 1014 | 1354 | 1744 | 2195 | 2714 | 5.1 | 8.6 | 2.51 | 15.9 (5/8") | 7.9 (5/16") | II | 21.5 |
| | TAJ4511Y-TZ | 1 | 32.70 | TRI | 992 | 1332 | 1724 | 2177 | 2699 | 2.4 | 3.6 | 2.49 | 15.9 (5/8") | 7.9 (5/16") | II | 19.0 |
| | CAJ4513Y-FZ | 1 | 34.45 | CSR | 1096 | 1453 | 1862 | 2334 | 2878 | 5.8 | 9.9 | 2.46 | 15.9 (5/8") | 7.9 (5/16") | II | 22.1 |
| HBP R-1234yf | CAJ4492N-FZ | 3/4 | 25.95 | CSIR | 771 | 1036 | 1330 | 1661 | 2036 | 5.9 | 9.4 | 2.13 | 12.7 (1/2") | 7.9 (5/16") | II | 19.8 |
| | TAJ4492N-TZ | 3/4 | 25.95 | TRI | 766 | 1035 | 1336 | 1675 | 2058 | 1.8 | 3.5 | 2.34 | 12.7 (1/2") | 7.9 (5/16") | II | 19.9 |
| | CAJ4511N-FZ | 1 | 32.70 | CSR | 1030 | 1341 | 1692 | 2086 | 2529 | 5.5 | 8.6 | 2.28 | 15.9 (5/8") | 7.9 (5/16") | II | 20.8 |
| | TAJ4511N-TZ | 1 | 32.70 | TRI | 1031 | 1341 | 1691 | 2087 | 2537 | 2.4 | 4.2 | 2.19 | 15.9 (5/8") | 7.9 (5/16") | II | 19.3 |
| | CAJ4513N-FZ | 1 | 34.45 | CSR | 1086 | 1400 | 1755 | 2159 | 2618 | 6.0 | 10.7 | 2.22 | 15.9 (5/8") | 7.9 (5/16") | II | 21.4 |



CONTENT

| | |
|------------------------------------|----|
| About Us | 04 |
| General Information | 07 |
| The Essentials | 08 |
| Refrigeration Compressors [50HZ] | 11 |
| Refrigeration Compressors [60HZ] | 32 |
| Manufacturing Workflow | 52 |
| Condensing Unit [50HZ] | 56 |
| Condensing Unit [60HZ] | 65 |
| Special Condensing Unit | 74 |
| Unit Cooler | 80 |

▶ 50 HZ RANGE [AJ²]

| MODEL | HP | Disp. (cm ³) | Motor Type | CAPACITY (Watt) | | | | | CURRENT (A) | | COP (W/W) | DIAMETER OF CONNECTION | | DIMENSION | WEIGHT (KG) | |
|-----------|-------------|--------------------------|------------|------------------|---------|--------|------|------|--------------|--------------|-----------|------------------------|--------------------|--------------|-------------|------|
| | | | | - 15 °C | - 10 °C | - 5 °C | 0 °C | 5 °C | I Nom (Amps) | I Max (Amps) | | SUCTION (mm/Inches) | LIQUID (mm/Inches) | | | |
| AC-R-22 | AJ5510EFZ | 5/6 | 18.60 | PTCSCR, CSR, PSC | 802 | 1174 | 1607 | 2101 | 2656 | 5.2 | 7.3 | 2.30 | 9.50 (3/8") | 6.35 (1/4") | I | 18.2 |
| | AJ5512EFZ | 1 | 21.75 | PTCSCR, CSR, PSC | 1204 | 1598 | 2059 | 2589 | 3187 | 5.9 | 8.2 | 2.38 | 9.50 (3/8") | 6.35 (1/4") | I | 18.1 |
| | AJ5513EFZ | 1 1/9 | 24.20 | PTCSCR, CSR, PSC | 1472 | 1871 | 2347 | 2900 | 3532 | 6.0 | 8.8 | 2.49 | 9.50 (3/8") | 6.35 (1/4") | I | 19.8 |
| | AJ5515EFZ | 1 1/4 | 25.95 | PTCSCR, CSR, PSC | 1668 | 2141 | 2688 | 3309 | 4004 | 7.2 | 12.0 | 2.44 | 12.70 (1/2") | 7.90 (5/16") | I | 20.3 |
| | TAJ5515E-TZ | 1 1/4 | 25.95 | TRI | 1688 | 2141 | 2688 | 3309 | 4004 | 2.7 | 3.8 | 2.50 | 12.70 (1/2") | 7.90 (5/16") | I | 21.0 |
| | AJ5518EFZ | 1 1/2 | 32.70 | PTCSCR, CSR, PSC | 1923 | 2484 | 3145 | 3919 | 4816 | 9.9 | 13.1 | 2.29 | 12.70 (1/2") | 7.90 (5/16") | II | 22.3 |
| | AJ5519EFZ | 1 4/7 | 34.45 | PTCSCR, CSR, PSC | 1990 | 2582 | 3278 | 4088 | 5024 | 10.0 | 13.6 | 2.24 | 12.70 (1/2") | 7.90 (5/16") | II | 21.8 |
| | TAJ5519E-TZ | 1 4/7 | 34.45 | TRI | 2439 | 2947 | 3587 | 4359 | 5264 | 3.9 | 5.1 | 2.47 | 12.70 (1/2") | 7.90 (5/16") | II | 21.3 |
| AC-R-407C | AJ5510CFZ | 5/6 | 18.6 | PTCSCR, CSR, PSC | 283 | 654 | 1103 | 1631 | 2237 | 4.6 | 7.3 | 2.29 | 9.50 (3/8") | 6.35 (1/4") | I | 17.7 |
| | AJ5512CFZ | 1 | 21.75 | PTCSCR, CSR, PSC | 818 | 1202 | 1680 | 2255 | 2924 | 5.9 | 9.3 | 2.19 | 9.50 (3/8") | 6.35 (1/4") | I | 18.2 |
| | AJ5513CFZ | 1 1/9 | 24.2 | PTCSCR, CSR, PSC | 954 | 1388 | 1933 | 2591 | 3361 | 6.0 | 9.3 | 2.32 | 9.50 (3/8") | 6.35 (1/4") | I | 19.4 |
| | AJ5515CFZ | 1 1/4 | 25.95 | PTCSCR, CSR, PSC | 1222 | 1717 | 2318 | 3026 | 3841 | 7.3 | 12.0 | 2.28 | 12.70 (1/2") | 7.90 (5/16") | I | 19.2 |
| | TAJ5515C-TZ | 1 1/4 | 25.95 | TRI | 1222 | 1717 | 2318 | 3026 | 3841 | 2.8 | 4.2 | 2.34 | 12.70 (1/2") | 7.90 (5/16") | I | 19.3 |
| | AJ5518CFZ | 1 1/2 | 32.7 | PTCSCR, CSR, PSC | 1745 | 2339 | 3033 | 3841 | 4776 | 9.7 | 14.0 | 2.28 | 12.70 (1/2") | 7.90 (5/16") | II | 20.2 |
| | AJ5519CFZ | 1 4/7 | 34.45 | PTCSCR, CSR, PSC | 1796 | 2414 | 3145 | 4006 | 5012 | 9.9 | 15.0 | 2.28 | 12.70 (1/2") | 7.90 (5/16") | II | 20.2 |
| | TAJ5519C-TZ | 1 4/7 | 34.45 | TRI | 1741 | 2434 | 3240 | 4158 | 5187 | 4.1 | 5.4 | 2.29 | 12.70 (1/2") | 7.90 (5/16") | II | 19.4 |



**SUITABLE
FOR FROZEN FOOD
& OTHERS INDUSTRIES**

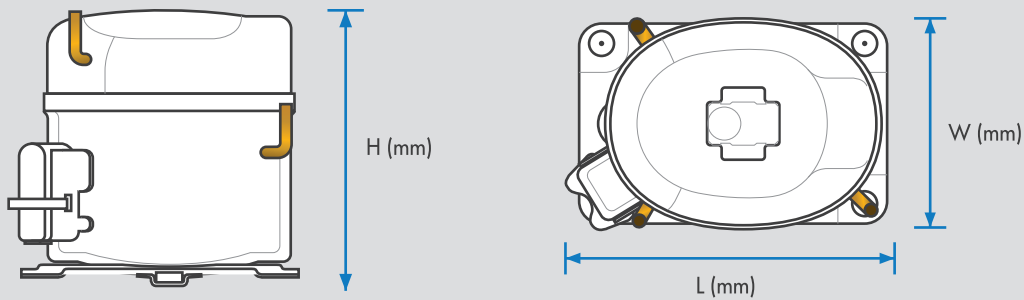
▶ 50 HZ RANGE [TYA]

TYA

TYA Compressors for 50 Hz Range

Dimension Specification for TYA

Specification drawing is for reference only, for detail information please refer to our staffs.



DIMENSION I

| Height (mm) | Width (mm) | Length (mm) |
|-------------|------------|-------------|
| 234.5 | 141.2 | 236.0 |

| MODEL | HP | Disp. (cm ³) | Motor Type | CAPACITY (Watt) | | | | | CURRENT (A) | | COP (W/W) | DIAMETER OF CONNECTION | | DIMENSION | WEIGHT (KG) | |
|------------|------------|--------------------------|------------|-----------------|-----------|-----------|-----------|-----------|--------------|----------------|-----------|------------------------|--------------------|------------|-------------|------|
| | | | | - 34.4 °C | - 28.9 °C | - 23.3 °C | - 17.3 °C | - 12.2 °C | I Nom (Amps) | LRA Max (Amps) | | SUCTION (mm/Inches) | LIQUID (mm/Inches) | | | |
| LBP R-404A | TYA2423ZKS | 3/4 | 16.52 | CSR | - | - | - | - | - | 3.23 | 26.0 | 1.09 | 12.7 (1/2") | 9.5 (3/8") | I | 16.9 |
| | TYA2431ZKS | 1 | 18.80 | CSR | 263 | 486 | 770 | 1115 | 1445 | 3.62 | 26.0 | 1.17 | 12.7 (1/2") | 9.5 (3/8") | I | 16.7 |
| | TYA2438ZKS | 1 1/4 | 22.23 | CSR | 317 | 587 | 930 | 1346 | 1744 | 4.00 | 24.1 | 1.25 | 12.7 (1/2") | 9.5 (3/8") | I | 17.5 |
| | TYA2446ZKS | 1 1/3 | 26.00 | CSR | 398 | 736 | 1165 | 1687 | 2186 | 4.48 | 30.0 | 1.26 | 12.7 (1/2") | 9.5 (3/8") | I | 17.7 |
| | | | | | - 17.8 °C | - 12.2 °C | - 6.7 °C | 7.2 °C | 10 °C | | | | | | | |
| HBP R-404a | TYA9456ZKS | 1 1/10 | 19.00 | CSIR | 711 | 1057 | 1435 | 2579 | 2860 | 6.25 | 28.5 | 1.48 | 12.7 (1/2") | 9.5 (3/8") | I | 17.5 |
| | TYA9472ZKS | 1 1/3 | 22.30 | CSR | 871 | 1294 | 1757 | 3158 | 3502 | 6.20 | 33.0 | 1.57 | 12.7 (1/2") | 9.5 (3/8") | I | 17.2 |
| | TYA9486ZKS | 1 1/2 | 26.00 | CSR | 1034 | 1537 | 2086 | 3750 | 4158 | 7.62 | 36.5 | 1.52 | 12.7 (1/2") | 9.5 (3/8") | I | 17.5 |
| HBP R-22 | TYA9448EKS | 3/4 | 16.00 | CSIR | 479 | 712 | 966 | 1737 | 1926 | 5.20 | 25.5 | 1.26 | 12.7 (1/2") | 9.5 (3/8") | I | 17.8 |
| | TYA9455EKS | 1 | 18.80 | CSIR | 610 | 906 | 1230 | 2210 | 2451 | 5.60 | 28.0 | 1.34 | 12.7 (1/2") | 9.5 (3/8") | I | 18.1 |
| | TYA9467EKS | 1 1/6 | 22.30 | CSR | 726 | 1079 | 1464 | 2632 | 2918 | 5.10 | 31.0 | 1.48 | 12.7 (1/2") | 9.5 (3/8") | I | 19.3 |
| | | | | | | | | | | | | | | | | |
| | | | | | - 15.0 °C | - 9.4 °C | - 3.9 °C | 7.2 °C | 10 °C | | | | | | | |
| HBP R-134a | TYA4452YKS | 1/2 | 16.00 | CSIR | 342 | 605 | 858 | 1391 | 1564 | 4.00 | 20.0 | 2.11 | 12.7 (1/2") | 9.5 (3/8") | I | 17.0 |
| | TYA4466YKS | 2/3 | 18.80 | CSIR | 425 | 751 | 1066 | 1728 | 1943 | 4.90 | 19.5 | 2.05 | 12.7 (1/2") | 9.5 (3/8") | I | 17.5 |
| | TYA4475YKS | 3/4 | 22.30 | CSR | 511 | 904 | 1283 | 2079 | 2338 | 3.94 | 20.0 | 2.53 | 12.7 (1/2") | 9.5 (3/8") | I | 18.1 |
| | TYA4489YKS | 1 | 26.00 | CSR | 590 | 1044 | 1482 | 2401 | 2700 | 4.76 | 26.0 | 2.45 | 12.7 (1/2") | 9.5 (3/8") | I | 18.6 |

▶ 50 HZ RANGE [FH]

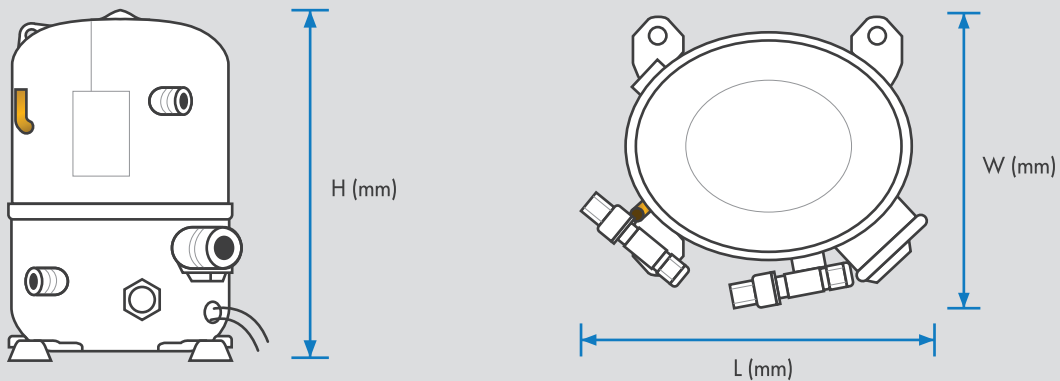


FH Compressors for 50 Hz Range



Dimension Specification for FH

Specification drawing is for reference only, for detail information please refer to our staffs.



| DIMENSION I | | | DIMENSION II | | | DIMENSION III | | |
|-------------|------------|-------------|--------------|------------|-------------|---------------|------------|-------------|
| Height (mm) | Width (mm) | Length (mm) | Height (mm) | Width (mm) | Length (mm) | Height (mm) | Width (mm) | Length (mm) |
| 330.0 | 200.0 | 246.0 | 354.0 | 200.0 | 246.0 | 370.0 | 200.0 | 246.0 |

| MODEL | HP | Disp. (cm ³) | Motor Type | CAPACITY (Watt) | | | | | CURRENT (A) | | COP (W/W) | DIAMETER OF CONNECTION | | DIMENSION | WEIGHT (KG) | |
|------------|----------|--------------------------|------------|-----------------|---------|---------|---------|---------|--------------|--------------|-----------|------------------------|--------------------|-------------|-------------|------|
| | | | | - 40 °C | - 35 °C | - 30 °C | - 25 °C | - 20 °C | I Nom (Amps) | I Max (Amps) | | SUCTION (mm/Inches) | LIQUID (mm/Inches) | | | |
| LBP R-404A | FH2480Z | 2 | 53.2 | CSR | 668 | 1093 | 1580 | 2137 | 2775 | 7.2 | 16.0 | 0.89 | 15.9 (5/8") | 12.7 (1/2") | III | 37.0 |
| | FH2511Z | 2 3/4 | 74.2 | CSR | 962 | 1509 | 2151 | 2898 | 3765 | 11.5 | 24.0 | 0.98 | 15.9 (5/8") | 12.7 (1/2") | III | 37.0 |
| | TFH2480Z | 2 | 53.2 | TRI | 719 | 1125 | 1587 | 2111 | 2701 | 2.8 | 6.3 | 1.02 | 15.9 (5/8") | 12.7 (1/2") | III | 32.9 |
| | TFH2511Z | 2 3/4 | 74.2 | TRI | 971 | 1490 | 2124 | 2887 | 3791 | 3.7 | 7.2 | 1.07 | 15.9 (5/8") | 12.7 (1/2") | III | 32.6 |
| | | | | | - 15 °C | - 10 °C | - 5 °C | 0 °C | 5 °C | | | | | | | |
| HBP R-404A | FH4522Z | 1 4/5 | 39.9 | CSR | 2323 | 3027 | 3840 | 4780 | 5859 | 9.7 | 16.0 | 2.22 | 15.9 (5/8") | 12.7 (1/2") | II | 32.0 |
| | FH4524Z | 2 | 43.5 | CSR | 2644 | 3437 | 4338 | 5364 | 6532 | 10.7 | 18.1 | 2.23 | 15.9 (5/8") | 12.7 (1/2") | II | 34.2 |
| | FH4531Z | 2 3/5 | 56.6 | CSR | 3517 | 4590 | 5716 | 6937 | 8292 | 14.1 | 22.4 | 2.22 | 22.2 (7/8") | 12.7 (1/2") | II | 36.0 |
| | FH4540Z | 3 2/7 | 74.2 | CSR | 4401 | 5604 | 6967 | 8509 | 10250 | 19.4 | 27.0 | 2.11 | 22.2 (7/8") | 12.7 (1/2") | II | 36.4 |
| | TFH4522Z | 1 4/5 | 39.9 | TRI | 2261 | 2983 | 3817 | 4778 | 5882 | 3.9 | 5.4 | 2.23 | 15.9 (5/8") | 12.7 (1/2") | III | 30.0 |
| | TFH4524Z | 2 | 43.5 | TRI | 2640 | 3443 | 4353 | 5378 | 6526 | 4.3 | 7.7 | 2.25 | 15.9 (5/8") | 12.7 (1/2") | II | 30.4 |
| | TFH4531Z | 2 3/5 | 56.6 | TRI | 3491 | 4469 | 5574 | 6826 | 8245 | 5.3 | 9.0 | 2.26 | 22.2 (7/8") | 12.7 (1/2") | III | 31.2 |
| | TFH4540Z | 3 2/7 | 74.2 | TRI | 4570 | 5784 | 7157 | 8715 | 10482 | 7.5 | 9.2 | 2.17 | 22.2 (7/8") | 12.7 (1/2") | III | 33.0 |

| MODEL | HP | Disp. (cm ³) | Motor Type | CAPACITY (Watt) | | | | | CURRENT (A) | | COP (W/W) | DIAMETER OF CONNECTION | | DIMENSION | WEIGHT (KG) | |
|------------|-----------|--------------------------|------------|-------------------|---------|--------|------|------|--------------|--------------|-----------|------------------------|--------------------|-------------|-------------|------|
| | | | | - 15 °C | - 10 °C | - 5 °C | 0 °C | 5 °C | I Nom (Amps) | I Max (Amps) | | SUCTION (mm/Inches) | LIQUID (mm/Inches) | | | |
| HBP R-22 | FH4522F | 1 4/5 | 39.95 | CSR | 2257 | 2990 | 3863 | 4876 | 6030 | 8.4 | 12.1 | 2.58 | 15.9 (5/8") | 12.7 (1/2") | II | 32.0 |
| | FH4524F | 2 | 43.50 | CSR | 2600 | 3336 | 4249 | 5337 | 6601 | 9.6 | 13.8 | 2.55 | 15.9 (5/8") | 12.7 (1/2") | II | 34.0 |
| | FH4531F | 2 3/5 | 56.65 | CSR | 3702 | 4757 | 5961 | 7312 | 8811 | 12.6 | 21.0 | 2.57 | 22.2 (7/8") | 12.7 (1/2") | II | 36.0 |
| | TFH4522F | 1 4/5 | 39.95 | TRI | 2257 | 2990 | 3863 | 4876 | 6029 | 3.7 | 4.6 | 2.65 | 15.9 (5/8") | 12.7 (1/2") | II | 30.0 |
| | TFH4524F | 2 | 43.50 | TRI | 2600 | 3336 | 4249 | 5337 | 6601 | 3.9 | 4.9 | 2.52 | 15.9 (5/8") | 12.7 (1/2") | III | 30.0 |
| | TFH4531F | 2 3/5 | 56.65 | TRI | 3702 | 4757 | 5961 | 7312 | 8811 | 4.8 | 6.6 | 2.60 | 22.2 (7/8") | 12.7 (1/2") | II | 31.0 |
| | TFH4540F | 3 2/7 | 74.25 | TRI | 4241 | 5834 | 7579 | 9474 | 11521 | 6.1 | 8.4 | 2.60 | 22.2 (7/8") | 12.7 (1/2") | III | 33.0 |
| HBP R-134a | FH4518Y | 1 1/2 | 53.2 | CSR | 1588 | 2209 | 2942 | 3803 | 4805 | 7.8 | 11.2 | 2.45 | 15.9 (5/8") | 12.7 (1/2") | I | 32.0 |
| | FH4525Y | 2 | 74.25 | CSR | 2500 | 3348 | 4345 | 5512 | 6871 | 9.8 | 15.2 | 2.60 | 15.9 (5/8") | 12.7 (1/2") | II | 34.0 |
| | TFH4518Y | 1 1/2 | 53.20 | TRI | 1604 | 2222 | 2957 | 3826 | 4844 | 3.4 | 4.2 | 2.44 | 15.9 (5/8") | 12.7 (1/2") | II | 30.0 |
| | TFH4525Y | 2 | 74.25 | TRI | 2420 | 3242 | 4228 | 5398 | 6774 | 3.9 | 6.7 | 2.57 | 15.9 (5/8") | 12.7 (1/2") | II | 31.0 |
| AC R-22 | FH5522E | 1 5/6 | 39.95 | PTCSCR CSR,PSC | 2080 | 2730 | 3535 | 4495 | 5610 | 9.0 | 14.5 | 2.55 | 15.9 (5/8") | 9.5 (3/8") | I | 31.5 |
| | FH5524E | 2 | 43.50 | PTCSCR CSR,PSC | 2300 | 3016 | 3895 | 4938 | 6144 | 10.0 | 16.1 | 2.51 | 15.9 (5/8") | 9.5 (3/8") | I | 31.5 |
| | FH5527E | 2 1/4 | 49.10 | PTCSCR CSR,PSC | 2744 | 3447 | 4381 | 5547 | 6944 | 12.0 | 19.2 | 2.41 | 15.9 (5/8") | 9.5 (3/8") | I | 32.0 |
| | FH5531E | 2 4/7 | 56.65 | PTCSCR CSR,PSC | 3331 | 4317 | 5455 | 6746 | 8189 | 14.1 | 23.0 | 2.47 | 19.0 (3/4") | 9.5 (3/8") | II | 33.0 |
| | FH5540E | 3 1/3 | 74.25 | PTCSCR CSR,PSC | 3791 | 5303 | 6958 | 8755 | 10694 | 18.6 | 30.5 | 2.49 | 19.0 (3/4") | 9.5 (3/8") | III | 33.0 |
| | TFH5522E | 1 5/6 | 39.95 | TRI | 2080 | 2730 | 3535 | 4495 | 5610 | 3.8 | 5.8 | 2.59 | 15.9 (5/8") | 9.5 (3/8") | II | 31.0 |
| | TFH5524E | 2 | 43.50 | TRI | 2300 | 3016 | 3895 | 4938 | 6144 | 4.0 | 5.8 | 2.51 | 15.9 (5/8") | 9.5 (3/8") | II | 31.0 |
| | TFH5527E | 2 1/4 | 49.10 | TRI | 2744 | 3447 | 4381 | 5547 | 6944 | 4.2 | 6.5 | 2.50 | 15.9 (5/8") | 9.5 (3/8") | II | 30.5 |
| | TFH5531E | 2 4/7 | 56.65 | TRI | 3331 | 4317 | 5455 | 6746 | 8189 | 4.8 | 6.3 | 2.58 | 19.0 (3/4") | 9.5 (3/8") | II | 31.5 |
| | TFH5540E | 3 1/3 | 74.25 | TRI | 3791 | 5303 | 6958 | 8755 | 10694 | 6.4 | 10.0 | 2.57 | 19.0 (3/4") | 9.5 (3/8") | III | 31.5 |
| | AC R-470C | FH5522C | 1 5/6 | 39.95 | PSC,CSR | 1619 | 2322 | 3154 | 4134 | 5278 | 8.2 | 15.0 | 2.40 | 15.9 (5/8") | 9.5 (3/8") | I |
| FH5524C | | 2 | 43.50 | PSC,CSR | 1810 | 2468 | 3314 | 4370 | 5657 | 9.2 | 17.0 | 2.34 | 15.9 (5/8") | 9.5 (3/8") | I | 31.6 |
| FH5527C | | 2 1/4 | 49.10 | PSC,CSR | 2109 | 2869 | 3830 | 5027 | 6494 | 11.8 | 20.4 | 2.33 | 15.9 (5/8") | 9.5 (3/8") | I | 32.0 |
| FH5531C | | 2 4/7 | 56.65 | PSC,CSR | 2491 | 3393 | 4483 | 5788 | 7333 | 13.7 | 24.5 | 2.25 | 19.0 (3/4") | 9.5 (3/8") | II | 33.4 |
| FH5540C | | 3 1/3 | 74.25 | PSC,CSR | 3302 | 4519 | 5963 | 7665 | 9653 | 18.0 | 31.5 | 1.82 | 19.0 (3/4") | 9.5 (3/8") | III | 33.4 |
| TFH5522C | | 1 5/6 | 39.95 | TRI | 1629 | 2320 | 3159 | 4160 | 5341 | 3.5 | 7.1 | 2.06 | 15.9 (5/8") | 9.5 (3/8") | II | 31.0 |
| TFH5524C | | 2 | 43.50 | TRI | 1830 | 2540 | 3406 | 4450 | 5691 | 3.9 | 6.7 | 2.34 | 15.9 (5/8") | 9.5 (3/8") | I | 31.1 |
| TFH5527C | | 2 1/4 | 49.10 | TRI | 2174 | 2973 | 3953 | 5141 | 6564 | 4.2 | 7.0 | 2.48 | 15.9 (5/8") | 9.5 (3/8") | II | 30.6 |
| TFH5531C | | 2 4/7 | 56.65 | TRI | 2608 | 3525 | 4626 | 5935 | 7478 | 4.7 | 8.4 | 1.94 | 19.0 (3/4") | 9.5 (3/8") | II | 31.9 |
| TFH5540C | | 3 1/3 | 74.25 | TRI | 3159 | 4314 | 5714 | 7389 | 9366 | 5.0 | 10.6 | 2.40 | 19.0 (3/4") | 9.5 (3/8") | III | 31.9 |

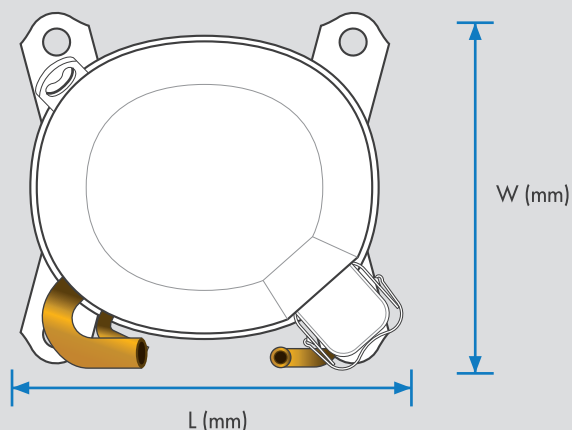
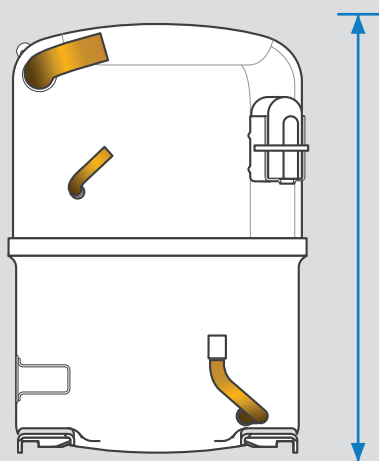
▶ 50 HZ RANGE [AW]

AW

AW Compressors for 50 Hz Range

Dimension Specification for AW

Specification drawing is for reference only, for detail information please refer to our staffs.



DIMENSION I

| Height (mm) | Width (mm) | Length (mm) |
|-------------|------------|-------------|
| 324.0 | 141.2 | 236.0 |

| MODEL | HP | Disp. (cm ³) | Motor Type | CAPACITY (Watt) | CURRENT (A) | | COP (W/W) | DIAMETER OF CONNECTION | | DIMENSION | WEIGHT (KG) | |
|------------|------------|--------------------------|------------|-----------------|-------------|--------------|-----------|------------------------|---------------------|--------------|-------------|--------------------|
| | | | | | 7.2 °C | I Nom (Amps) | | I Max (Amps) | SUCTION (mm/Inches) | | | LIQUID (mm/Inches) |
| HBP R-22 | AWS4524EGF | 2 | 43.26 | TRI | 5715 | 3.40 | 4.20 | 2.89 | 15.9 (5/8") | 11.2 (7/16") | I | 27.7 |
| | AWS4532EGF | 2 2/3 | 54.30 | TRI | 7737 | 4.30 | 5.10 | 3.00 | 15.9 (5/8") | 11.2 (7/16") | I | 28.5 |
| | AWS4538EGF | 3 1/6 | 63.00 | TRI | 9349 | 5.35 | 6.30 | 3.04 | 15.9 (5/8") | 11.2 (7/16") | I | 30.0 |
| HBP R-404A | AWS4522ZXN | 2 | 39.66 | CSR | 5418 | 11.45 | 19.10 | 2.57 | 15.9 (5/8") | 11.2 (7/16") | I | 26.0 |
| | AWS4522ZXG | 2 | 39.66 | TRI | 5341 | 3.23 | 5.40 | 2.76 | 15.9 (5/8") | 11.2 (7/16") | I | 26.0 |
| | AWS4532ZXN | 2 2/3 | 50.60 | CSR | 7925 | 17.60 | 25.20 | 2.71 | 15.9 (5/8") | 11.2 (7/16") | I | 28.6 |
| | AWS4532ZXG | 2 2/3 | 50.60 | TRI | 7610 | 4.12 | 5.40 | 2.91 | 15.9 (5/8") | 11.2 (7/16") | I | 28.0 |

| MODEL | HP | Disp. (cm ³) | Motor Type | CAPACITY (Watt) | CURRENT (A) | | COP (w/w) | DIAMETER OF CONNECTION | | DIMENSION | WEIGHT (KG) | |
|---------|------------|--------------------------|------------|-----------------|--------------|--------------|-----------|------------------------|--------------------|--------------|-------------|------|
| | | | | 7.2 °C | I Nom (Amps) | I Max (Amps) | | SUCTION (mm/Inches) | LIQUID (mm/Inches) | | | |
| AC R-22 | AWQ5515EGE | 1 1/4 | 32.70 | PSC | 3809 | 6.30 | 11.00 | 2.72 | 15.9 (5/8") | 11.2 (7/16") | I | 27.0 |
| | AWQ5522EGE | 2 | 43.26 | PSC | 5568 | 8.50 | 13.60 | 2.88 | 15.9 (5/8") | 11.2 (7/16") | I | 27.7 |
| | AWR5524EGE | 2 | 43.26 | PSC | 6069 | 10.00 | 13.80 | 2.92 | 15.9 (5/8") | 11.2 (7/16") | I | 26.5 |
| | AWR5528EGH | 2 1/3 | 48.43 | PSC | 6774 | 10.50 | 16.70 | 2.87 | 15.9 (5/8") | 11.2 (7/16") | I | 29.0 |
| | AWR5530EGH | 2 1/2 | 50.60 | PSC | 7384 | 11.70 | 19.00 | 2.88 | 15.9 (5/8") | 11.2 (7/16") | I | 27.8 |
| | AWS5530EGF | 2 1/2 | 50.60 | TRI | 7092 | 3.80 | 6.00 | 3.00 | 15.9 (5/8") | 11.2 (7/16") | I | 28.5 |
| | AWR5532EGH | 2 1/3 | 54.30 | PTCS-CR | 7852 | 12.20 | 19.00 | 2.89 | 15.9 (5/8") | 11.2 (7/16") | I | 28.0 |
| | AWR5535EGH | 3 | 59.00 | PSC | 8644 | 13.20 | 23.60 | 2.91 | 15.9 (5/8") | 11.2 (7/16") | I | 30.0 |
| | AWS5535EGF | 3 | 59.00 | TRI | 8558 | 4.90 | 7.00 | 2.95 | 15.9 (5/8") | 11.2 (7/16") | I | 30.0 |
| | AWR5538EXC | 3 1/6 | 63.00 | CSR | 9232 | 14.20 | 25.00 | 2.89 | 15.9 (5/8") | 11.2 (7/16") | I | 29.7 |



**SUITABLE
FOR FROZEN FOOD
& OTHERS INDUSTRIES**

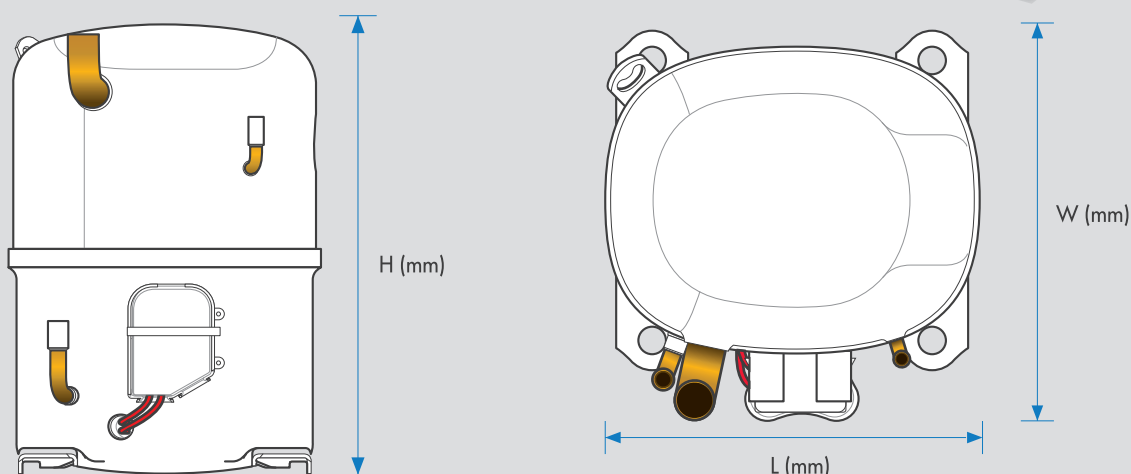
▶ 50 HZ RANGE [AV]

AV

AV Compressors for 50 Hz Range

Dimension Specification for AV

Specification drawing is for reference only, for detail information please refer to our staffs.



| DIMENSION I | | | DIMENSION II | | | DIMENSION III | | |
|-------------|------------|-------------|--------------|------------|-------------|---------------|------------|-------------|
| Height (mm) | Width (mm) | Length (mm) | Height (mm) | Width (mm) | Length (mm) | Height (mm) | Width (mm) | Length (mm) |
| 355.6 | 257.6 | 250.2 | 363.2 | 257.6 | 250.2 | 373.4 | 257.6 | 250.2 |

| MODEL | HP | Disp. (cm ³) | Motor Type | CAPACITY (Watt) | | | | | CURRENT (A) | | COP (W/W) | DIAMETER OF CONNECTION | | DIMENSION | WEIGHT (KG) | |
|------------|------------|--------------------------|------------|-----------------|---------|---------|---------|---------|--------------|--------------|-----------|------------------------|--------------------|-------------|-------------|------|
| | | | | - 40 °C | - 35 °C | - 30 °C | - 25 °C | - 20 °C | I Nom (Amps) | I Max (Amps) | | SUCTION (mm/Inches) | LIQUID (mm/Inches) | | | |
| LBP R-404A | AVA2490ZXN | 2 | 73.3 | CSR | 560 | 1030 | 1560 | 2210 | 2990 | 9.5 | 13.3 | 1.1 | 22.2 (7/8") | 12.7 (1/2") | I | 43.2 |
| | AVA2512ZXN | 3 | 91.0 | CSR | 730 | 1350 | 2050 | 2900 | 3940 | 14.1 | 19.7 | 1.1 | 22.2 (7/8") | 12.7 (1/2") | I | 42.7 |
| | AVA2512ZXG | 3 | 91.0 | 3PH | 560 | 1200 | 1950 | 2830 | 3820 | 3.8 | 5.3 | 1.1 | 22.2 (7/8") | 12.7 (1/2") | I | 37.7 |
| | | | | | - 15 °C | - 10 °C | - 5 °C | 0 °C | 5 °C | | | | | | | |
| HBP R-404A | AVA9519ZXN | 2 1/2 | 67.0 | CSR | 3200 | 4120 | 5090 | 6280 | 7950 | 15.7 | 18.1 | 2.6 | 22.2 (7/8") | 12.7 (1/2") | III | 38.2 |
| | AVA9519ZXG | 2 1/2 | 67.0 | 3PH | 3010 | 3910 | 4990 | 6370 | 8090 | 4.9 | 5.3 | 2.7 | 22.2 (7/8") | 12.7 (1/2") | I | 38.2 |
| | AVA9522ZXN | 2 3/4 | 73.3 | CSR | 3440 | 4600 | 5730 | 7120 | 9070 | 17.5 | 20.2 | 2.6 | 22.2 (7/8") | 12.7 (1/2") | I | 38.2 |
| | AVA7524ZXN | 3 | 79.0 | CSR | 3920 | 5100 | 6470 | - | - | 15.7 | 18.6 | 1.8 | 19.0 (3/4") | 12.7 (1/2") | I | 43.2 |
| | AVA7524ZXT | 3 | 79.0 | 3PH | 3990 | 5260 | 6550 | - | - | 9.2 | 10.7 | 1.7 | 22.2 (7/8") | 12.7 (1/2") | I | 35.5 |
| | AVA9528ZXN | 3 1/2 | 91.0 | CSR | 4660 | 5980 | 7420 | 9070 | 10820 | 23.5 | 28.0 | 2.3 | 19.0 (3/4") | 12.7 (1/2") | I | 38.2 |

| MODEL | HP | Disp. (cm ³) | Motor Type | CAPACITY (Watt) | | | | | CURRENT (A) | | COP (W/W) | DIAMETER OF CONNECTION | | DIMENSION | WEIGHT (KG) | |
|---------|------------|--------------------------|------------|-----------------|---------|--------|------|-------|--------------|--------------|-----------|------------------------|--------------------|-------------|-------------|------|
| | | | | - 15 °C | - 10 °C | - 5 °C | 0 °C | 5 °C | I Nom (Amps) | I Max (Amps) | | SUCTION (mm/Inches) | LIQUID (mm/Inches) | | | |
| AC R-22 | AVA5532EXN | 2 1/2 | 57.6 | PSC | 2290 | 3250 | 4360 | 5630 | 7020 | 13.0 | 14.7 | 2.9 | 19.0 (3/4") | 9.5 (3/8") | II | 36.8 |
| | AVA5535EXN | 2 3/4 | 62.4 | PSC | 2480 | 3540 | 4750 | 6140 | 7700 | 13.2 | 14.5 | 2.9 | 19.0 (3/4") | 9.5 (3/8") | II | 40.0 |
| | AVA5538EXN | 3 | 67.0 | PSC | 2740 | 3880 | 5220 | 6740 | 8420 | 14.3 | 16.2 | 2.9 | 22.2 (7/8") | 12.7 (1/2") | III | 37.3 |
| | AVA5538EXG | 3 | 67.0 | 3PH | 2990 | 4070 | 5320 | 6760 | 8380 | 4.3 | 4.8 | 3.1 | 22.2 (7/8") | 12.7 (1/2") | I | 40.0 |
| | AVA5542EXN | 3 1/2 | 73.3 | PSC | 2940 | 4140 | 5630 | 7360 | 9280 | 16.4 | 18.7 | 2.9 | 22.2 (7/8") | 12.7 (1/2") | I | 37.7 |
| | AVA5542EXG | 3 1/2 | 73.3 | 3PH | 3280 | 4560 | 5950 | 7500 | 9230 | 5.2 | 5.7 | 2.9 | 22.2 (7/8") | 12.7 (1/2") | I | 37.7 |
| | AVA5546EXN | 3 3/4 | 79.0 | PSC | 3220 | 4530 | 6150 | 8050 | 10150 | 17.9 | 20.3 | 2.9 | 22.2 (7/8") | 12.7 (1/2") | I | 38.6 |
| | AVA5546EXG | 3 3/4 | 79.0 | 3PH | 3280 | 4670 | 6280 | 8110 | 10170 | 5.5 | 6.0 | 2.9 | 22.2 (7/8") | 12.7 (1/2") | I | 38.6 |
| | AVB5549EXN | 4 | 79.0 | PSC | 3780 | 5240 | 6930 | 8830 | 10950 | 17.1 | 19.4 | 3.1 | 22.2 (7/8") | 12.7 (1/2") | I | 36.8 |
| | AVB5549EXG | 4 | 79.0 | 3PH | 4250 | 5580 | 7100 | 8830 | 10780 | 5.6 | 6.3 | 3.1 | 22.2 (7/8") | 12.7 (1/2") | I | 38.6 |
| | AVB5558EXN | 5 | 91.0 | PSC | 4980 | 6780 | 8690 | 10750 | 12980 | 20.7 | 23.5 | 3.1 | 22.2 (7/8") | 12.7 (1/2") | I | 36.6 |
| | AVB5558EXG | 5 | 91.0 | 3PH | 5170 | 6740 | 8550 | 10590 | 12840 | 6.5 | 7.3 | 3.1 | 22.2 (7/8") | 12.7 (1/2") | I | 38.6 |



▶ 50 HZ RANGE [AG]

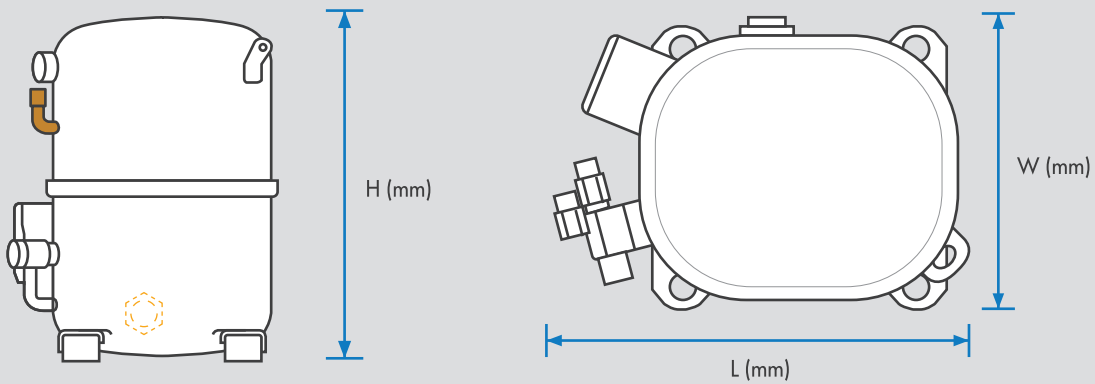


AG Compressors for 50 Hz Range



Dimension Specification for AG

Specification drawing is for reference only, for detail information please refer to our staffs.



| DIMENSION I | | | DIMENSION II | | | DIMENSION III | | |
|-------------|------------|-------------|--------------|------------|-------------|---------------|------------|-------------|
| Height (mm) | Width (mm) | Length (mm) | Height (mm) | Width (mm) | Length (mm) | Height (mm) | Width (mm) | Length (mm) |
| 368.0 | 224.0 | 261.0 | 381.0 | 224.0 | 261.0 | 393.0 | 224.0 | 261.0 |

| MODEL | HP | Disp. (cm ³) | Motor Type | CAPACITY (Watt) | | | | | CURRENT (A) | | COP (W/W) | DIAMETER OF CONNECTION | | DIMENSION | WEIGHT (KG) | |
|------------|----------|--------------------------|------------|-----------------|---------|---------|---------|---------|--------------|--------------|-----------|------------------------|--------------------|-------------|-------------|------|
| | | | | - 40 °C | - 35 °C | - 30 °C | - 25 °C | - 20 °C | I Nom (Amps) | I Max (Amps) | | SUCTION (mm/Inches) | LIQUID (mm/Inches) | | | |
| LBP R-404A | TAG2513Z | 3 1/4 | 100.7 | TRI | 872 | 1534 | 2358 | 3367 | 4585 | 4.2 | 8.5 | 0.94 | 22.2 (7/8") | 15.9 (5/8") | I | 44.0 |
| | TAG2516Z | 4 | 112.5 | TRI | 1058 | 1811 | 2710 | 3776 | 5028 | 4.8 | 9.5 | 0.99 | 22.2 (7/8") | 15.9 (5/8") | I | 45.0 |
| | TAG2522Z | 5 1/2 | 134.8 | TRI | 1777 | 2685 | 3793 | 5136 | 6747 | 5.7 | 13.4 | 1.12 | 28.6 (1 1/8") | 15.9 (5/8") | III | 47.0 |
| | TAG2525Z | 6 1/4 | 145.0 | TRI | 1984 | 3012 | 4230 | 5665 | 7342 | 6.3 | 13.3 | 1.13 | 28.6 (1 1/8") | 15.9 (5/8") | III | 46.0 |
| | | | | | - 15 °C | - 10 °C | - 5 °C | 0 °C | 5 °C | | | | | | | |
| HBP R-404A | TAG4546Z | 3 4/5 | 90.2 | TRI | 4721 | 6287 | 8125 | 10267 | 12746 | 7.0 | 12.1 | 2.39 | 22.2 (7/8") | 15.9 (5/8") | I | 44.0 |
| | TAG4553Z | 4 2/5 | 100.7 | TRI | 5403 | 7143 | 9180 | 11556 | 14315 | 7.9 | 14.0 | 2.34 | 22.2 (7/8") | 15.9 (5/8") | II | 45.6 |
| | TAG4561Z | 5 | 112.5 | TRI | 6210 | 8083 | 10261 | 12793 | 15728 | 9.2 | 15.3 | 2.29 | 28.6 (1 1/8") | 15.9 (5/8") | II | 46.0 |
| | TAG4568Z | 5 5/7 | 124.4 | TRI | 7425 | 9519 | 11931 | 14705 | 17887 | 10.3 | 17.8 | 2.44 | 28.6 (1 1/8") | 15.9 (5/8") | III | 47.2 |
| | TAG4573Z | 6 | 134.8 | TRI | 8071 | 10288 | 12861 | 15837 | 19265 | 11.4 | 19.0 | 2.29 | 28.6 (1 1/8") | 15.9 (5/8") | III | 48.0 |
| | TAG4581Z | 6 3/4 | 145.0 | TRI | 8931 | 11267 | 13937 | 16989 | 20471 | 12.7 | 20.8 | 2.23 | 28.6 (1 1/8") | 15.9 (5/8") | III | 48.1 |

| MODEL | HP | Disp. (cm ³) | Motor Type | CAPACITY (Watt) | | | | | CURRENT (A) | | COP (W/W) | DIAMETER OF CONNECTION | | DIMENSION | WEIGHT (KG) | |
|------------|----------|--------------------------|------------|-----------------|---------|--------|-------|-------|--------------|--------------|-----------|------------------------|--------------------|-------------|-------------|------|
| | | | | - 15 °C | - 10 °C | - 5 °C | 0 °C | 5 °C | I Nom (Amps) | I Max (Amps) | | SUCTION (mm/Inches) | LIQUID (mm/Inches) | | | |
| HBP R-22 | TAG4546T | 3 4/5 | 90.2 | TRI | 4644 | 6205 | 8081 | 10304 | 12905 | 6.6 | 10.0 | 2.91 | 22.2 (7/8") | 15.9 (5/8") | I | 44.0 |
| | TAG4553T | 4 2/5 | 100.7 | TRI | 5509 | 7318 | 9448 | 11928 | 14788 | 7.4 | 12.0 | 2.96 | 22.2 (7/8") | 15.9 (5/8") | II | 46.0 |
| | TAG4561T | 5 | 112.5 | TRI | 6390 | 8424 | 10853 | 13716 | 17049 | 9.0 | 15.0 | 2.91 | 28.6 (1"1/8) | 15.9 (5/8") | II | 46.0 |
| | TAG4568T | 5 5/7 | 124.4 | TRI | 7144 | 9398 | 12168 | 15456 | 19260 | 9.6 | 15.6 | 2.89 | 28.6 (1"1/8) | 15.9 (5/8") | III | 48.0 |
| | TAG4573T | 6 | 134.8 | TRI | 8008 | 10354 | 13175 | 16527 | 20463 | 11.0 | 18.0 | 2.73 | 28.6 (1"1/8) | 15.9 (5/8") | III | 48.0 |
| | TAG4581T | 6 3/4 | 145.0 | TRI | 8231 | 10501 | 13145 | 16216 | 19763 | 12.2 | 20.0 | 2.58 | 28.6 (1"1/8) | 15.9 (5/8") | III | 48.1 |
| HBP R-134a | TAG4528Y | 2 1/3 | 90.2 | TRI | 1961 | 2997 | 4307 | 5891 | 7748 | 4.4 | 10.0 | 2.74 | 22.2 (7/8") | 15.9 (5/8") | I | 44.0 |
| | TAG4534Y | 2 5/6 | 100.7 | TRI | 2791 | 3972 | 5452 | 7232 | 9311 | 4.7 | 10.4 | 2.76 | 22.2 (7/8") | 15.9 (5/8") | I | 44.0 |
| | TAG4537Y | 3 | 112.5 | TRI | 3271 | 4576 | 6222 | 8208 | 10534 | 5.4 | 10.0 | 2.79 | 22.2 (7/8") | 15.9 (5/8") | I | 44.0 |
| | TAG4543Y | 3 3/5 | 124.4 | TRI | 3440 | 4764 | 6511 | 8680 | 11271 | 5.5 | 10.7 | 2.72 | 22.2 (7/8") | 15.9 (5/8") | I | 44.0 |
| | TAG4547Y | 3 5/6 | 134.8 | TRI | 4056 | 5505 | 7224 | 9252 | 11628 | 6.6 | 10.5 | 2.50 | 28.6 (1"1/8) | 15.9 (5/8") | I | 44.0 |
| AC R-22 | TAG5546E | 3 5/6 | 90.2 | TRI | 4031 | 5398 | 7173 | 9355 | 11946 | 6.6 | 10.0 | 2.79 | 22.2 (7/8") | 12.7 (1/2") | I | 42.5 |
| | TAG5553E | 4 3/7 | 100.7 | TRI | 5158 | 6566 | 8468 | 10866 | 13759 | 7.4 | 12.0 | 2.86 | 22.2 (7/8") | 12.7 (1/2") | II | 43.5 |
| | TAG5561E | 5 | 112.5 | TRI | 5751 | 7577 | 9874 | 12643 | 15884 | 9.0 | 15.0 | 2.78 | 22.2 (7/8") | 12.7 (1/2") | II | 44.5 |
| | TAG5568E | 5 2/3 | 124.4 | TRI | 6707 | 8610 | 11093 | 14156 | 17799 | 9.6 | 15.6 | 2.85 | 22.2 (7/8") | 12.7 (1/2") | III | 46.0 |
| | TAG5573E | 6 | 134.8 | TRI | 7397 | 9277 | 11837 | 15076 | 18995 | 11.0 | 18.0 | 2.63 | 22.2 (7/8") | 12.7 (1/2") | III | 46.0 |
| AC R-407C | TAG5546C | 3 5/6 | 90.2 | TRI | 2229 | 3462 | 5082 | 7088 | 9480 | 5.9 | 10.1 | 2.61 | 22.2 (7/8") | 12.7 (1/2") | I | 42.5 |
| | TAG5553C | 4 3/7 | 100.7 | TRI | 2748 | 4371 | 6394 | 8816 | 11638 | 6.7 | 12.0 | 2.60 | 22.2 (7/8") | 12.7 (1/2") | II | 43.5 |
| | TAG5561C | 5 | 112.5 | TRI | 4075 | 5661 | 7738 | 10304 | 13360 | 7.9 | 14.6 | 2.68 | 22.2 (7/8") | 12.7 (1/2") | II | 44.5 |
| | TAG5568C | 5 2/3 | 124.4 | TRI | 4700 | 6585 | 8926 | 11723 | 14977 | 8.9 | 10.2 | 2.68 | 22.2 (7/8") | 12.7 (1/2") | III | 46.0 |
| | TAG5573C | 6 | 134.8 | TRI | 5376 | 7398 | 9919 | 12939 | 16457 | 9.8 | 18.5 | 2.65 | 22.2 (7/8") | 12.7 (1/2") | III | 46.0 |



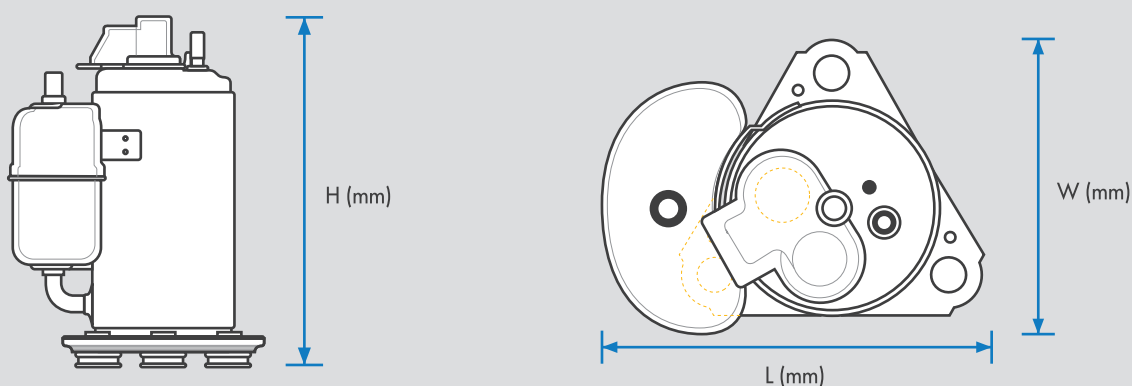
▶ 50 HZ RANGE [RG]

RG

RG Compressors for 50 Hz Range

Dimension Specification for RG

Specification drawing is for reference only, for detail information please refer to our staffs.



| DIMENSION I | | | DIMENSION II | | | DIMENSION III | | |
|-------------|------------|-------------|--------------|------------|-------------|---------------|------------|-------------|
| Height (mm) | Width (mm) | Length (mm) | Height (mm) | Width (mm) | Length (mm) | Height (mm) | Width (mm) | Length (mm) |
| 263.0 | 197.0 | 197.0 | 276.0 | 197.0 | 197.0 | 282.0 | 197.0 | 197.0 |

| MODEL | HP | Disp. (cm ³) | Motor Type | CAPACITY (Watt) | | | | | CURRENT (A) | | COP (W/W) | DIAMETER OF CONNECTION | | DIMENSION | WEIGHT (KG) | |
|------------|----------|--------------------------|------------|-----------------|---------|---------|---------|---------|--------------|--------------|-----------|------------------------|--------------------|-------------|-------------|------|
| | | | | - 40 °C | - 35 °C | - 30 °C | - 25 °C | - 20 °C | I Nom (Amps) | I Max (Amps) | | SUCTION (mm/Inches) | LIQUID (mm/Inches) | | | |
| LBP R-404A | RGA2426Z | 7/10 | 9.5 | CSR | 268 | 344 | 436 | 545 | 672 | 1.9 | 3.4 | 1.09 | 9.5 (3/8") | 7.9 (5/16") | II | 11.4 |
| | RGA2432Z | 3/4 | 11.5 | CSR | 332 | 426 | 537 | 667 | 818 | 2.4 | 4.2 | 1.13 | 9.5 (3/8") | 7.9 (5/16") | II | 12.0 |
| | RGA2436Z | 3/4 | 12.7 | CSR | 349 | 449 | 569 | 711 | 878 | 2.6 | 5.0 | 1.09 | 12.7 (1/2") | 7.9 (5/16") | II | 11.4 |
| | RGA2446Z | 1 | 16.1 | CSR | 452 | 582 | 738 | 923 | 1142 | 3.2 | 5.4 | 1.13 | 12.7 (1/2") | 7.9 (5/16") | II | 13.1 |
| HBP R-404A | | | | | - 15 °C | - 10 °C | - 5 °C | 0 °C | 5 °C | | | | | | | |
| | RGA4467Z | 1/2 | 9.5 | CSR | 822 | 999 | 1202 | 1435 | 1703 | 2.6 | 4.5 | 2.60 | 9.5 (3/8") | 7.9 (5/16") | II | 12.5 |
| | RGA4480Z | 3/4 | 11.5 | CSR | 985 | 1195 | 1438 | 1717 | 2038 | 3.3 | 5.3 | 2.53 | 9.5 (3/8") | 7.9 (5/16") | II | 12.6 |
| | RGA4492Z | 7/8 | 12.8 | CSR | 1125 | 1365 | 1641 | 1960 | 2327 | 3.5 | 5.9 | 2.68 | 12.7 (1/2") | 7.9 (5/16") | II | 12.7 |
| HBP R-134A | RGA4512Z | 1 | 16.1 | CSR | 1400 | 1700 | 2045 | 2442 | 2897 | 4.5 | 6.7 | 2.53 | 12.7 (1/2") | 7.9 (5/16") | III | 13.3 |
| | RGA4445Y | 1/3 | 9.5 | CSIR | 450 | 562 | 695 | 852 | 1038 | 2.3 | 3.6 | 2.57 | 9.5 (3/8") | 7.9 (5/16") | II | 11.0 |
| | RGA4450Y | 3/8 | 11.5 | CSIR | 542 | 677 | 840 | 1033 | 1260 | 2.8 | 3.9 | 2.63 | 9.5 (3/8") | 7.9 (5/16") | II | 11.1 |
| | RGA4460Y | 1/2 | 12.8 | CSIR | 597 | 748 | 932 | 1153 | 1416 | 3.0 | 4.3 | 2.64 | 12.7 (1/2") | 7.9 (5/16") | II | 11.9 |
| | RGA4476Y | 5/8 | 16.1 | CSIR | 790 | 987 | 1220 | 1494 | 1814 | 3.7 | 5.4 | 2.74 | 12.7 (1/2") | 7.9 (5/16") | III | 12.5 |

| MODEL | HP | Disp. (cm ³) | Motor Type | CAPACITY (Watt) | | | | | CURRENT (A) | | COP (W/W) | DIAMETER OF CONNECTION | | DIMENSION | WEIGHT (KG) | |
|-----------|----------|--------------------------|------------|-----------------|---------|--------|------|------|--------------|--------------|-----------|------------------------|--------------------|-------------|-------------|------|
| | | | | - 15 °C | - 10 °C | - 5 °C | 0 °C | 5 °C | I Nom (Amps) | I Max (Amps) | | SUCTION (mm/Inches) | LIQUID (mm/Inches) | | | |
| AC R-22 | RGA5480E | 2/3 | 11.52 | CSR,PSC | 1009 | 1208 | 1452 | 1742 | 2076 | 2.8 | 4.5 | 3.19 | 9.5 (3/8") | 7.9 (5/16") | II | 11.4 |
| | RGA5492E | 3/4 | 12.80 | CSR,PSC | 1099 | 1341 | 1628 | 1961 | 2339 | 3.1 | 5.2 | 3.23 | 12.7 (1/2") | 7.9 (5/16") | II | 11.2 |
| | RGA5510E | 5/6 | 14.30 | CSR,PSC | 1105 | 1347 | 1649 | 2011 | 2432 | 3.6 | 5.9 | 2.90 | 12.7 (1/2") | 7.9 (5/16") | II | 11.4 |
| | RGA5512E | 1 | 16.12 | CSR,PSC | 1401 | 1674 | 2013 | 2418 | 2889 | 4.0 | 7.0 | 3.05 | 12.7 (1/2") | 7.9 (5/16") | II | 11.5 |
| AC R-134A | RGA5460Y | 1/2 | 12.75 | PSC | 545 | 701 | 892 | 1123 | 1400 | 2.1 | 4.0 | 2.94 | 9.5 (3/8") | 7.9 (5/16") | II | 11.9 |
| AC R-407C | RGA5450C | 3/8 | 7.13 | CSR,PSC | 460 | 592 | 746 | 925 | 1132 | 1.7 | 3.2 | 2.78 | 9.5 (3/8") | 7.9 (5/16") | I | 10.1 |
| | RGA5460C | 1/2 | 8.55 | CSR,PSC | 585 | 743 | 932 | 1153 | 1412 | 2.0 | 3.7 | 2.88 | 9.5 (3/8") | 7.9 (5/16") | I | 10.3 |
| | RGA5472C | 3/5 | 10.24 | CSR,PSC | 710 | 898 | 1122 | 1385 | 1694 | 2.5 | 4.7 | 2.92 | 9.5 (3/8") | 7.9 (5/16") | III | 11.1 |
| | RGA5480C | 2/3 | 11.5 | CSR,PSC | 770 | 936 | 1162 | 1448 | 1793 | 2.8 | 4.6 | 2.83 | 9.5 (3/8") | 7.9 (5/16") | III | 11.4 |
| | RGA5492C | 3/4 | 12.8 | CSR,PSC | 845 | 1044 | 1305 | 1629 | 2015 | 3.0 | 5.8 | 2.94 | 12.7 (1/2") | 7.9 (5/16") | III | 11.2 |
| | RGA5510C | 5/6 | 14.3 | CSR,PSC | 935 | 1158 | 1455 | 1826 | 2271 | 3.56 | 6.1 | 2.76 | 12.7 (1/2") | 7.9 (5/16") | III | 11.3 |
| | RGA5512C | 1 | 16.1 | CSR,PSC | 1034 | 1287 | 1615 | 2018 | 2497 | 4.0 | 7.0 | 2.80 | 12.7 (1/2") | 7.9 (5/16") | III | 11.5 |



**SUITABLE
FOR FROZEN FOOD
& OTHERS INDUSTRIES**

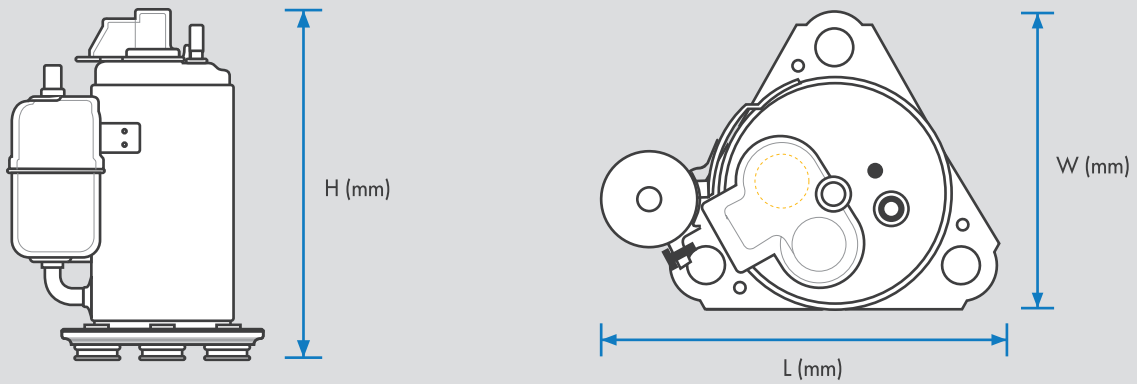
▶ 50 HZ RANGE [RK]

RK

RK Compressors for 50 Hz Range

Dimension Specification for RK

Specification drawing is for reference only, for detail information please refer to our staffs.



| DIMENSION I | | | DIMENSION II | | | DIMENSION III | | |
|-------------|------------|-------------|--------------|------------|-------------|---------------|------------|-------------|
| Height (mm) | Width (mm) | Length (mm) | Height (mm) | Width (mm) | Length (mm) | Height (mm) | Width (mm) | Length (mm) |
| 280.0 | - | - | 290.0 | - | - | 312.0 | - | - |

| MODEL | HP | Disp. (cm ³) | Motor Type | CAPACITY (Watt) | | | | | CURRENT (A) | | COP (W/W) | DIAMETER OF CONNECTION | | DIMENSION | WEIGHT (KG) | |
|-----------|----------|--------------------------|------------|------------------|---------|--------|------|------|--------------|--------------|-----------|------------------------|--------------------|-------------|-------------|------|
| | | | | - 15 °C | - 10 °C | - 5 °C | 0 °C | 5 °C | I Nom (Amps) | I Max (Amps) | | SUCTION (mm/Inches) | LIQUID (mm/Inches) | | | |
| AC R-22 | RK5480E | 2/3 | 11.4 | PTCSCR, CSR, PSC | 963 | 1152 | 1388 | 1672 | 2004 | 2.8 | 4.8 | 3.10 | 12.7 (1/2") | 7.9 (5/16") | I | 11.4 |
| | RK5490E | 3/4 | 12.9 | PTCSCR, CSR, PSC | 1134 | 1342 | 1606 | 1925 | 2300 | 3.1 | 5.6 | 3.15 | 12.7 (1/2") | 7.9 (5/16") | I | 11.8 |
| | RK5510E | 5/6 | 14.6 | PTCSCR, CSR, PSC | 1163 | 1462 | 1804 | 2189 | 2618 | 3.5 | 5.6 | 3.13 | 12.7 (1/2") | 7.9 (5/16") | II | 12.3 |
| | RK5512E | 1 | 16.3 | PTCSCR, CSR, PSC | 1434 | 1691 | 2019 | 2418 | 2887 | 4.0 | 7.0 | 2.95 | 12.7 (1/2") | 7.9 (5/16") | II | 12.3 |
| | RK5513E | 1 1/9 | 18.1 | PTCSCR, CSR, PSC | 1534 | 1852 | 2239 | 2695 | 3221 | 4.3 | 6.9 | 3.14 | 12.7 (1/2") | 7.9 (5/16") | III | 13.6 |
| | RK5515E | 1 1/4 | 21.4 | PTCSCR, CSR, PSC | 1746 | 2124 | 2584 | 3125 | 3748 | 5.3 | 8.5 | 3.17 | 15.9 (5/8") | 7.9 (5/16") | III | 14.1 |
| | RK5518E | 1 1/2 | 24.4 | PTCSCR, CSR, PSC | 1998 | 2473 | 3029 | 3663 | 4378 | 6.4 | 10.2 | 3.09 | 15.9 (5/8") | 7.9 (5/16") | III | 14.2 |
| AC R-134A | RK5450Y | 3/8 | 11.4 | CSR, PSC | 643 | 760 | 920 | 1124 | 1370 | 1.8 | 2.8 | 2.94 | 12.7 (1/2") | 7.9 (5/16") | I | 11.7 |
| | TRK5450Y | 3/8 | 11.4 | TRI | 643 | 760 | 920 | 1124 | 1370 | 1.5 | 2.1 | 2.52 | 12.7 (1/2") | 7.9 (5/16") | I | 11.2 |
| | RK5480Y | 2/3 | 18.1 | CSR, PSC | 1028 | 1235 | 1506 | 1840 | 2239 | 2.9 | 5.7 | 2.99 | 12.7 (1/2") | 7.9 (5/16") | II | 12.0 |
| | TRK5480Y | 2/3 | 18.1 | TRI | 1028 | 1235 | 1506 | 1840 | 2239 | 1.5 | 2.1 | 2.69 | 12.7 (1/2") | 7.9 (5/16") | II | 11.2 |
| | RK5512Y | 1 | 24.4 | CSR, PSC | 1339 | 1605 | 1952 | 2381 | 2891 | 4.0 | 6.0 | 2.97 | 15.9 (5/8") | 7.9 (5/16") | III | 13.5 |
| | TRK5512Y | 1 | 24.4 | TRI | 1339 | 1605 | 1952 | 2381 | 2891 | 2.1 | 2.7 | 2.65 | 15.9 (5/8") | 7.9 (5/16") | III | 11.2 |

| MODEL | HP | Disp. (cm ³) | Motor Type | CAPACITY (Watt) | | | | | CURRENT (A) | | COP (W/W) | DIAMETER OF CONNECTION | | DIMENSION | WEIGHT (KG) | |
|---------------|----------|--------------------------|------------|------------------|---------|--------|------|------|--------------|--------------|-----------|------------------------|--------------------|-------------|-------------|------|
| | | | | - 15 °C | - 10 °C | - 5 °C | 0 °C | 5 °C | I Nom (Amps) | I Max (Amps) | | SUCTION (mm/Inches) | LIQUID (mm/Inches) | | | |
| AC R-407C | RK5480C | 2/3 | 11.4 | PTCSCR, CSR, PSC | 807 | 986 | 1212 | 1485 | 1805 | 2.8 | 4.8 | 3.03 | 12.7 (1/2") | 7.9 (5/16") | I | 11.4 |
| | RK5490C | 3/4 | 12.9 | PTCSCR, CSR, PSC | 797 | 1012 | 1277 | 1592 | 1956 | 3.2 | 6.0 | 2.90 | 12.7 (1/2") | 7.9 (5/16") | I | 11.8 |
| | RK5510C | 5/6 | 14.6 | PTCSCR, CSR, PSC | 1050 | 1280 | 1572 | 1925 | 2339 | 3.7 | 6.7 | 3.01 | 12.7 (1/2") | 7.9 (5/16") | II | 12.3 |
| | RK5512C | 1 | 16.3 | PTCSCR, CSR, PSC | 1122 | 1385 | 1716 | 2112 | 2575 | 4.1 | 6.7 | 2.90 | 12.7 (1/2") | 7.9 (5/16") | II | 12.3 |
| | RK5513C | 1 1/9 | 18.1 | PTCSCR, CSR, PSC | 1279 | 1558 | 1912 | 2339 | 2840 | 4.5 | 7.5 | 2.97 | 12.7 (1/2") | 7.9 (5/16") | III | 12.9 |
| | RK5515C | 1 1/4 | 21.4 | PTCSCR, CSR, PSC | 1558 | 1898 | 2329 | 2849 | 3460 | 5.4 | 8.8 | 3.10 | 15.9 (5/8") | 7.9 (5/16") | III | 14.1 |
| | RK5518C | 1 1/2 | 24.4 | PTCSCR, CSR, PSC | 1794 | 2182 | 2673 | 3266 | 3963 | 6.6 | 12.2 | 2.99 | 15.9 (5/8") | 7.9 (5/16") | III | 13.8 |
| | TRK5518C | 1 1/2 | 24.4 | TRI | 1658 | 2119 | 2666 | 3308 | 4058 | 2.7 | 4.3 | 2.98 | 15.9 (5/8") | 7.9 (5/16") | III | 13.1 |
| R-407C / R-22 | RK5512W | 1 | 16.3 | PTCSCR, CSR, PSC | 1222 | 1385 | 1716 | 2112 | 2575 | 4.1 | 6.7 | 2.90 | 12.7 (1/2") | 7.9 (5/16") | III | 12.3 |
| | RK5513W | 1 1/9 | 18.1 | PTCSCR, CSR, PSC | 1279 | 1558 | 1912 | 2339 | 2840 | 4.5 | 7.5 | 2.97 | 12.7 (1/2") | 7.9 (5/16") | III | 12.9 |
| | RK5515W | 1 1/4 | 21.4 | PTCSCR, CSR, PSC | 1558 | 1898 | 2329 | 2849 | 3460 | 5.4 | 8.8 | 3.10 | 15.9 (5/8") | 7.9 (5/16") | III | 14.1 |
| | RK5518W | 1 1/2 | 24.4 | PTCSCR, CSR, PSC | 1794 | 2182 | 2673 | 3266 | 3963 | 6.6 | 12.2 | 2.99 | 15.9 (5/8") | 7.9 (5/16") | III | 13.8 |
| AC R-290 | RK5518U | 1 1/2 | 24.4 | CSR,PSC | 1525 | 1916 | 2370 | 2893 | 3493 | 5.6 | 9.1 | 2.79 | 15.9 (5/8") | 7.9 (5/16") | III | 14.1 |



**SAFE FOR
FOOD INDUSTRIES**

▶ 50 HZ RANGE [HG]

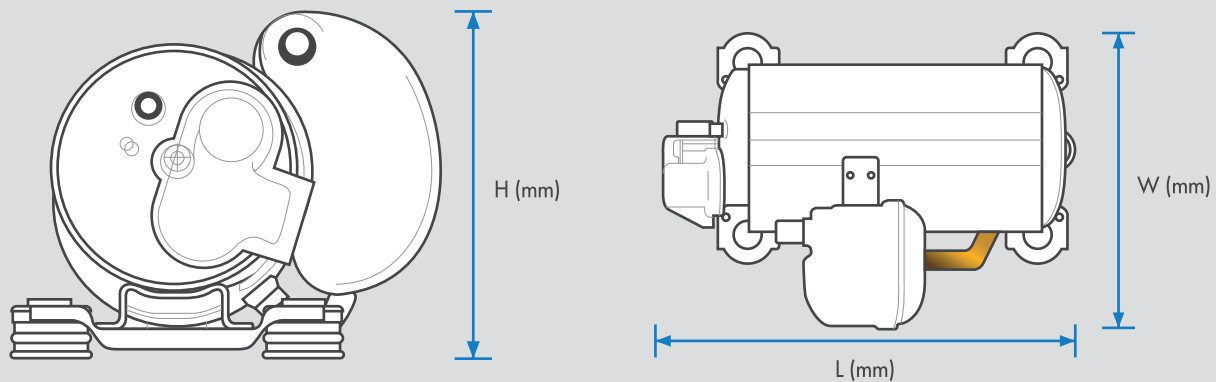
HG

HG Compressors for 50 Hz Range



Dimension Specification for HG

Specification drawing is for reference only, for detail information please refer to our staffs.



| DIMENSION I | | | DIMENSION II | | | DIMENSION III | | |
|-------------|------------|-------------|--------------|------------|-------------|---------------|------------|-------------|
| Height (mm) | Width (mm) | Length (mm) | Height (mm) | Width (mm) | Length (mm) | Height (mm) | Width (mm) | Length (mm) |
| 163.4 | 207.6 | 267.0 | 163.4 | 207.6 | 270.7 | 163.4 | 207.6 | 280.6 |

| MODEL | HP | Disp. (cm ³) | Motor Type | CAPACITY (Watt) | | | | | CURRENT (A) | | COP (W/W) | DIAMETER OF CONNECTION | | DIMENSION | WEIGHT (KG) | |
|------------|----------|--------------------------|------------|-----------------|---------|---------|---------|---------|--------------|--------------|-----------|------------------------|--------------------|-------------|-------------|------|
| | | | | - 40 °C | - 35 °C | - 30 °C | - 25 °C | - 20 °C | I Nom (Amps) | I Max (Amps) | | SUCTION (mm/Inches) | LIQUID (mm/Inches) | | | |
| LBP R-404A | HGA2426Z | 7/10 | 9.5 | CSR | 268 | 344 | 436 | 545 | 672 | 1.9 | 3.4 | 1.09 | 9.5 (3/8") | 7.9 (5/16") | II | 11.4 |
| | HGA2432Z | 3/4 | 11.5 | CSR | 332 | 426 | 537 | 667 | 818 | 2.4 | 4.2 | 1.13 | 9.5 (3/8") | 7.9 (5/16") | III | 12.0 |
| | HGA2436Z | 9/10 | 12.8 | CSR | 349 | 449 | 569 | 711 | 878 | 2.6 | 5.0 | 1.09 | 12.7 (1/2") | 7.9 (5/16") | III | 11.4 |
| | HGA2446Z | 1 | 16.1 | CSR | 452 | 582 | 738 | 923 | 1142 | 3.2 | 5.4 | 1.13 | 12.7 (1/2") | 7.9 (5/16") | III | 13.2 |
| | | | | | - 15 °C | - 10 °C | - 5 °C | 0 °C | 5 °C | | | | | | | |
| HBP R-404A | HGA4467Z | 1/2 | 9.5 | CSR | 822 | 999 | 1202 | 1435 | 1703 | 2.6 | 4.5 | 2.60 | 9.5 (3/8") | 7.9 (5/16") | I | 12.5 |
| | HGA4480Z | 3/4 | 11.5 | CSR | 985 | 1195 | 1438 | 1717 | 2038 | 3.3 | 5.3 | 2.53 | 9.5 (3/8") | 7.9 (5/16") | III | 12.6 |
| | HGA4492Z | 7/8 | 12.8 | CSR | 1125 | 1365 | 1641 | 1960 | 2327 | 3.5 | 5.9 | 2.68 | 12.7 (1/2") | 7.9 (5/16") | III | 12.7 |
| | HGA4512Z | 1 | 16.1 | CSR | 1400 | 1700 | 2045 | 2442 | 2897 | 4.5 | 6.7 | 2.53 | 12.7 (1/2") | 7.9 (5/16") | III | 13.3 |
| HBP R-290 | HGA4467U | 1/2 | 9.52 | CSR | 672 | 818 | 985 | 1175 | 1391 | 2.0 | 3.0 | 2.97 | 9.5 (3/8") | 7.9 (5/16") | I | 12.5 |
| | HGA4492U | 7/8 | 12.75 | CSR | 906 | 1101 | 1324 | 1580 | 1870 | 2.5 | 3.7 | 3.07 | 12.7 (1/2") | 7.9 (5/16") | III | 12.7 |
| | HGA4512U | 1 | 16.12 | CSR | 1171 | 1418 | 1700 | 2024 | 2392 | 3.3 | 5.4 | 3.02 | 12.7 (1/2") | 7.9 (5/16") | III | 13.3 |

| MODEL | HP | Disp. (cm ³) | Motor Type | CAPACITY (Watt) | | | | | CURRENT (A) | | COP (W/W) | DIAMETER OF CONNECTION | | DIMENSION | WEIGHT (KG) | |
|-------------------|----------|--------------------------|------------|-----------------|---------|--------|------|------|--------------|--------------|-----------|------------------------|--------------------|-------------|-------------|------|
| | | | | - 15 °C | - 10 °C | - 5 °C | 0 °C | 5 °C | I Nom (Amps) | I Max (Amps) | | SUCTION (mm/Inches) | LIQUID (mm/Inches) | | | |
| HBP R-134A | HGA4445Y | 1/3 | 9.50 | CSIR | 450 | 562 | 695 | 852 | 1038 | 2.3 | 3.6 | 2.57 | 9.5 (3/8") | 7.9 (5/16") | II | 11.1 |
| | HGA4450Y | 3/8 | 11.50 | CSIR | 542 | 677 | 840 | 1033 | 1260 | 2.8 | 3.9 | 2.63 | 9.5 (3/8") | 7.9 (5/16") | III | 11.1 |
| | HGA4460Y | 1/2 | 12.80 | CSIR | 597 | 748 | 932 | 1153 | 1416 | 3.0 | 4.3 | 2.64 | 12.7 (1/2") | 7.9 (5/16") | III | 11.9 |
| | HGA4476Y | 5/8 | 16.10 | CSIR | 790 | 987 | 1220 | 1494 | 1814 | 3.7 | 5.4 | 2.74 | 12.7 (1/2") | 7.9 (5/16") | III | 12.5 |
| AC R-22 | HGA5467E | 1/2 | 9.52 | CSR,PSC | 705 | 881 | 1089 | 1334 | 1620 | 2.4 | 4.0 | 3.01 | 9.5 (3/8") | 7.9 (5/16") | III | 11.3 |
| | HGA5480E | 2/3 | 11.50 | CSR,PSC | 888 | 1104 | 1355 | 1647 | 1984 | 2.9 | 5.0 | 2.98 | 9.5 (3/8") | 7.9 (5/16") | II | 11.7 |
| | HGA5485E | 5/7 | 11.75 | CSR,PSC | 929 | 1149 | 1407 | 1711 | 2066 | 2.9 | 5.2 | 3.11 | 9.5 (3/8") | 7.9 (5/16") | III | 12.0 |
| | HGA5492E | 3/4 | 12.80 | CSR,PSC | 922 | 1171 | 1462 | 1798 | 2185 | 3.1 | 5.2 | 3.02 | 12.7 (1/2") | 7.9 (5/16") | III | 11.3 |
| | HGA5510E | 5/6 | 14.3 | CSR,PSC | 1247 | 1499 | 1804 | 2161 | 2571 | 3.6 | 5.9 | 3.02 | 12.7 (1/2") | 7.9 (5/16") | III | 11.6 |
| | HGA5512E | 1 | 16.10 | CSR,PSC | 1316 | 1630 | 1996 | 2414 | 2883 | 4.0 | 7.1 | 3.01 | 12.7 (1/2") | 7.9 (5/16") | III | 11.7 |
| AC R-407C | HGA5450C | 3/8 | 7.13 | CSR,PSC | 460 | 592 | 746 | 925 | 1132 | 1.7 | 3.2 | 2.78 | 9.5 (3/8") | 7.9 (5/16") | III | 10.1 |
| | HGA5456C | 3/8 | 7.95 | CSR,PSC | 617 | 767 | 942 | 1148 | 1386 | 1.9 | 3.3 | 3.10 | 9.5 (3/8") | 7.9 (5/16") | II | 10.2 |
| | HGA5460C | 1/2 | 8.55 | CSR,PSC | 585 | 743 | 932 | 1153 | 1412 | 2.0 | 3.7 | 2.88 | 9.5 (3/8") | 7.9 (5/16") | II | 10.3 |
| | HGA5472C | 3/5 | 10.24 | CSR,PSC | 710 | 898 | 1122 | 1385 | 1694 | 2.5 | 4.7 | 2.92 | 9.5 (3/8") | 7.9 (5/16") | III | 11.1 |
| | HGA5480C | 2/3 | 11.50 | CSR,PSC | 797 | 1011 | 1263 | 1557 | 1900 | 2.7 | 4.6 | 2.79 | 9.5 (3/8") | 7.9 (5/16") | III | 11.5 |
| | HGA5492C | 3/4 | 12.80 | CSR,PSC | 843 | 1043 | 1305 | 1630 | 2017 | 3.0 | 5.8 | 2.94 | 12.7 (1/2") | 7.9 (5/16") | III | 11.3 |
| | HGA5510C | 5/6 | 14.30 | CSR,PSC | 934 | 1158 | 1455 | 1826 | 2207 | 3.6 | 6.1 | 2.76 | 12.7 (1/2") | 7.9 (5/16") | III | 11.4 |
| | HGA5512C | 1 | 16.10 | CSR,PSC | 1033 | 1287 | 1616 | 2019 | 2498 | 4.0 | 7.0 | 2.80 | 12.7 (1/2") | 7.9 (5/16") | III | 11.6 |



REFRIGERATION COMPRESSORS

60HZ



▶ 60 HZ RANGE [AE²]

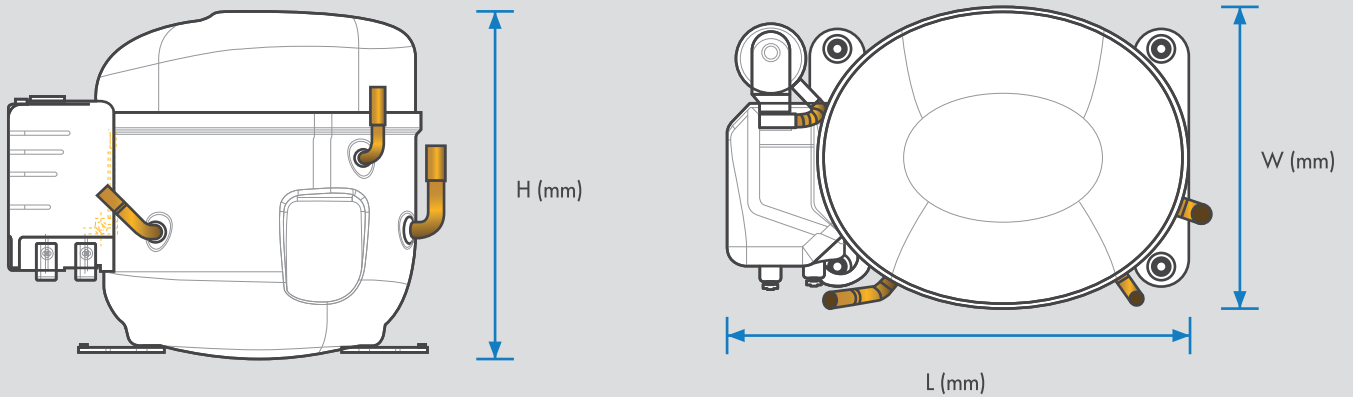


AE² Compressors for 60 Hz Range



Dimension Specification for AE²

Specification drawing is for reference only, for detail information please refer to our staffs.



| DIMENSION I | | | DIMENSION II | | |
|-------------|------------|-------------|--------------|------------|-------------|
| Height (mm) | Width (mm) | Length (mm) | Height (mm) | Width (mm) | Length (mm) |
| 197.0 | 158.0 | 250.0 | 208.0 | 158.0 | 250.0 |

| MODEL | HP | Disp. (cm ³) | Motor Type | CAPACITY (Watt) | | | | | CURRENT (A) | | COP (W/W) | DIAMETER OF CONNECTION | | DIMENSION | WEIGHT (KG) | |
|------------|------------|--------------------------|------------|-----------------|---------|---------|---------|---------|--------------|----------------|-----------|------------------------|--------------------|-------------|-------------|------|
| | | | | - 40 °C | - 35 °C | - 30 °C | - 25 °C | - 20 °C | I Nom (Amps) | LRA Max (Amps) | | SUCTION (mm/Inches) | LIQUID (mm/Inches) | | | |
| LBP R-404A | AE2410Z-GS | 1/4 | 5.02 | CSIR | 99.4 | 148 | 206 | 274 | 354 | 1.61 | 13.8 | 0.82 | 6.35(1/4") | 4.76(3/16") | I | 9.8 |
| | AE2413Z-GS | 1/3 | 6.12 | CSIR | 104 | 151 | 208 | 276 | 358 | 1.88 | 14.0 | 0.76 | 6.35(1/4") | 4.76(3/16") | II | 10.2 |
| | AE2415Z-GS | 3/8 | 7.33 | CSIR | 157 | 223 | 301 | 393 | 501 | 2.09 | 15.5 | 0.95 | 6.35(1/4") | 4.76(3/16") | II | 10.2 |
| | AE2420Z-GS | 1/2 | 9.33 | CSIR | 212 | 301 | 404 | 525 | 664 | 2.64 | 19.0 | 1.04 | 9.50(3/8") | 6.35(1/4") | II | 10.6 |
| | AE2425Z-GS | 5/8 | 12.01 | CSIR | 254 | 343 | 457 | 595 | 753 | 2.57 | 25.5 | 0.98 | 9.50(3/8") | 6.35(1/4") | II | 11.2 |
| | AE2410Z-AA | 1/4 | 5.02 | CSIR | 100 | 144 | 197 | 261 | 338 | 3.60 | 28.0 | 0.77 | 6.35(1/4") | 4.76(3/16") | I | 9.8 |
| | AE2415Z-AA | 3/8 | 7.33 | CSIR | 148 | 214 | 294 | 388 | 499 | 4.45 | 32.0 | 0.85 | 6.35(1/4") | 4.76(3/16") | II | 10.2 |
| | AE2420Z-AA | 1/2 | 9.35 | CSIR | 210 | 300 | 404 | 526 | 667 | 5.20 | 36.0 | 0.97 | 9.50(3/8") | 6.35(1/4") | II | 10.6 |
| | AE2425Z-AA | 5/8 | 12.01 | CSIR | 284 | 395 | 520 | 661 | 823 | 5.87 | 39.0 | 0.99 | 9.50(3/8") | 6.35(1/4") | II | 11.2 |
| LBP R-134a | AE1390Y-AA | 1/6 | 8.02 | PTCSIR | - | - | - | - | - | 2.74 | 26.5 | - | - | - | I | 9.7 |
| | AE2410Y-AA | 1/4 | 9.39 | CSIR | - | - | - | - | - | 3.11 | 28.5 | - | - | - | I | 10.2 |
| | AE2413Y-AA | 1/3 | 12.01 | CSIR | - | - | - | - | - | 3.45 | 29.0 | - | - | - | II | 10.8 |

▶ 60 HZ RANGE [AE²]

| MODEL | HP | Disp. (cm ³) | Motor Type | CAPACITY (Watt) | | | | | CURRENT (A) | | COP (W/W) | DIAMETER OF CONNECTION | | DIMENSION | WEIGHT (KG) | |
|------------|------------|--------------------------|------------|-----------------|---------|---------|---------|---------|--------------|----------------|-----------|------------------------|--------------------|-------------|-------------|------|
| | | | | - 40 °C | - 35 °C | - 30 °C | - 25 °C | - 20 °C | I Nom (Amps) | LRA Max (Amps) | | SUCTION (mm/Inches) | LIQUID (mm/Inches) | | | |
| LBP R--290 | AE2410U-GS | 1/4 | 6.12 | CSIR | - | - | - | - | - | 1.42 | 12.0 | - | 7.90(5/16") | 6.35(1/4") | II | 10.2 |
| | AE2413U-GS | 1/3 | 7.33 | CSIR | - | - | - | - | - | 1.82 | 14.0 | - | 7.90(5/16") | 6.35(1/4") | II | 10.2 |
| | AE2413U-AA | 1/3 | 7.33 | CSIR | - | - | - | - | - | 3.50 | 25.5 | - | 7.90(5/16") | 6.35(1/4") | II | 10.2 |
| | AE2420U-AA | 1/2 | 10.96 | CSIR | 229 | 331 | 390 | 522 | 677 | 5.15 | 32.5 | - | 7.90(5/16") | 6.35(1/4") | II | 10.6 |
| | | | | | - 15 °C | - 10 °C | - 5 °C | 0 °C | 5 °C | | | | | | | |
| LBP R-404A | AE4425Z-GS | 1/5 | 4.24 | CSIR | 280 | 364 | 457 | 560 | 675 | 2.1 | 14.2 | 2.01 | 6.35(1/4") | 4.76(3/16") | I | 10.9 |
| | AE4430Z-GS | 1/4 | 5.16 | CSIR | 336 | 437 | 549 | 673 | 812 | 2.4 | 18.9 | 2.02 | 6.35(1/4") | 4.76(3/16") | II | 11.0 |
| | AE4440Z-GS | 1/3 | 6.69 | CSIR | 442 | 577 | 731 | 906 | 1107 | 3.2 | 21.0 | 2.23 | 9.50(3/8") | 6.35(1/4") | II | 11.3 |
| | AE4450Z-GS | 3/8 | 8.85 | CSIR | 640 | 803 | 985 | 1188 | 1415 | 3.2 | 21.0 | 2.10 | 9.50(3/8") | 6.35(1/4") | II | 11.0 |
| | AE4460Z-GS | 1/2 | 10.33 | CSIR | 750 | 929 | 1131 | 1363 | 1628 | 3.7 | 22.0 | 2.11 | 9.50(3/8") | 6.35(1/4") | II | 12.2 |
| | AE4425Z-AA | 1/5 | 4.24 | CSIR | 287 | 366 | 455 | 556 | 670 | 4.2 | 27.0 | 1.94 | 6.35(1/4") | 4.76(3/16") | I | 9.9 |
| | AE4430Z-AA | 1/4 | 5.16 | CSIR | 356 | 453 | 563 | 688 | 830 | 5.1 | 32.0 | 1.95 | 6.35(1/4") | 4.76(3/16") | I | 9.8 |
| | AE4440Z-AA | 1/3 | 6.69 | CSIR | 457 | 587 | 732 | 895 | 1077 | 6.3 | 36.0 | 2.13 | 9.50(3/8") | 6.35(1/4") | II | 11.0 |
| | AE4450Z-AA | 3/8 | 8.85 | CSIR | 629 | 786 | 964 | 1169 | 1403 | 8.2 | 38.0 | 1.89 | 9.50(3/8") | 6.35(1/4") | II | 11.3 |
| | AE4460Z-AA | 1/2 | 10.33 | CSIR | 767 | 943 | 1143 | 1371 | 1633 | 9.6 | 49.0 | 1.93 | 9.50(3/8") | 6.35(1/4") | II | 11.4 |
| AE4470Z-AA | 5/8 | 12.01 | CSIR | 866 | 1054 | 1270 | 1520 | 1809 | 9.5 | 48.0 | 1.93 | 9.50(3/8") | 6.35(1/4") | II | 12.2 | |
| HBP R-134a | AE4425Y-GS | 1/5 | 6.69 | CSIR | 247 | 329 | 424 | 535 | 664 | 1.9 | 11.0 | 2.09 | 6.35(1/4") | 4.76(3/16") | I | 9.2 |
| | AE4430Y-GS | 1/4 | 8.02 | CSIR | 320 | 421 | 540 | 680 | 843 | 2.4 | 12.6 | 2.23 | 6.35(1/4") | 4.76(3/16") | I | 11.0 |
| | AE4440Y-GS | 1/3 | 10.33 | CSIR | 451 | 583 | 733 | 905 | 1103 | 3.0 | 16.0 | 2.24 | 7.90(5/16") | 6.35(1/4") | I | 11.4 |
| | AE4450Y-GS | 3/8 | 13.24 | CSIR | 580 | 743 | 932 | 1152 | 1409 | 3.2 | 24.5 | 2.36 | 9.50(3/8") | 6.35(1/4") | II | 12.0 |
| | AE4456Y-GS | 1/2 | 14.51 | CSIR | 618 | 796 | 1000 | 1237 | 1511 | 3.4 | 17.5 | 2.24 | 9.50(3/8") | 6.35(1/4") | II | 11.5 |
| | AE4460Y-GS | 1/2 | 15.09 | CSIR | 623 | 802 | 1010 | 1253 | 1537 | 3.7 | 17.5 | 2.05 | 9.50(3/8") | 6.35(1/4") | II | 13.0 |
| | AE4425Y-AA | 1/5 | 6.69 | CSIR | 258 | 342 | 439 | 552 | 684 | 3.6 | 20.0 | 2.09 | 6.35(1/4") | 4.76(3/16") | I | 9.1 |
| | AE4430Y-AA | 1/4 | 8.02 | CSIR | 314 | 414 | 531 | 669 | 829 | 4.9 | 27.5 | 2.09 | 6.35(1/4") | 4.76(3/16") | I | 9.5 |
| | AE4440Y-AA | 1/3 | 10.33 | CSIR | 433 | 552 | 695 | 867 | 1071 | 5.8 | 32.0 | 2.03 | 7.90(5/16") | 4.76(3/16") | I | 9.6 |
| | AE4450Y-AA | 3/8 | 13.24 | CSIR | 554 | 719 | 909 | 1128 | 1381 | 7.8 | 42.0 | 2.15 | 9.50(3/8") | 6.35(1/4") | II | 11.3 |
| | AE4456Y-AA | 1/2 | 14.51 | CSIR | 626 | 803 | 1006 | 1239 | 1508 | 8.5 | 44.5 | 2.12 | 9.50(3/8") | 6.35(1/4") | II | 11.4 |
| | AE4460Y-AA | 1/2 | 15.09 | CSIR | 638 | 816 | 1023 | 1264 | 1543 | 7.3 | 49.0 | 2.16 | 9.50(3/8") | 6.35(1/4") | II | 12.2 |
| HBP R-290 | AE4430U-AA | 1/4 | 6.12 | CSIR | - | - | - | - | - | 4.2 | 24.5 | - | 6.35(1/4") | 4.76(3/16") | I | 9.7 |
| | AE4435U-AA | 1/4 | 6.91 | CSIR | - | - | - | - | - | 5.0 | 30.5 | - | - | - | II | 10.3 |
| | AE4440U-AA | 1/3 | 8.02 | CSIR | - | - | - | - | - | 5.5 | 30.5 | - | - | - | II | 10.2 |
| | AE4460U-AA | 1/2 | 12.01 | CSIR | - | - | - | - | - | 8.9 | 43.5 | - | 9.50(3/8") | 6.35(1/4") | II | 11.2 |

▶ 60 HZ RANGE [AJ²]

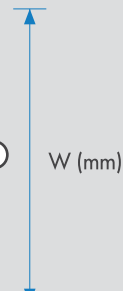
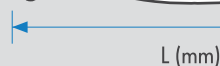
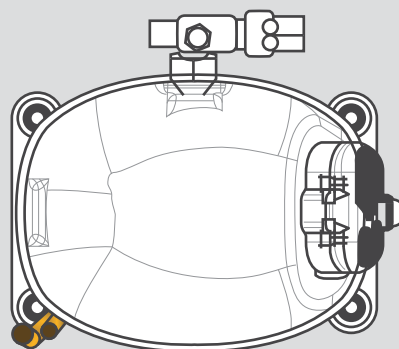
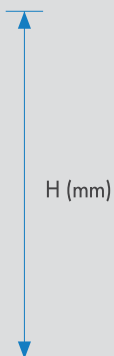
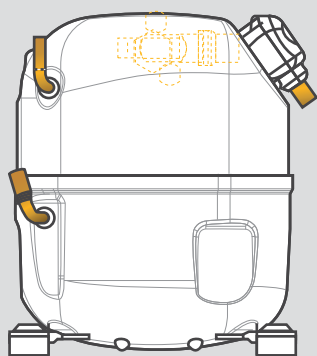


AJ² Compressors for 60 Hz Range



Dimension Specification for AJ²

Specification drawing is for reference only, for detail information please refer to our staffs.



| DIMENSION I | | | DIMENSION II | | | DIMENSION III | | |
|-------------|------------|-------------|--------------|------------|-------------|---------------|------------|-------------|
| Height (mm) | Width (mm) | Length (mm) | Height (mm) | Width (mm) | Length (mm) | Height (mm) | Width (mm) | Length (mm) |
| 258.0 | 178.5 | 246.0 | 271.0 | 178.5 | 246.0 | 282.0 | 178.5 | 246.0 |

| MODEL | HP | Disp. (cm ³) | Motor Type | CAPACITY (Watt) | | | | | CURRENT (A) | | COP (W/W) | DIAMETER OF CONNECTION | | DIMENSION | WEIGHT (KG) | |
|------------|-------------|--------------------------|------------|-----------------|---------|---------|---------|---------|--------------|--------------|-----------|------------------------|--------------------|-------------|-------------|------|
| | | | | - 40 °C | - 35 °C | - 30 °C | - 25 °C | - 20 °C | I Nom (Amps) | I Max (Amps) | | SUCTION (mm/Inches) | LIQUID (mm/Inches) | | | |
| LBP R-404A | CAJ2428Z-HZ | 7/10 | 15.20 | CSIR | 234 | 356 | 504 | 683 | 897 | 4.2 | 7.3 | 0.79 | 12.7 (1/2") | 6.35 (1/4") | II | 19.7 |
| | CAJ2428Z-XA | 7/10 | 15.20 | CSIR | 242 | 366 | 518 | 702 | 920 | 7.6 | 12.4 | 0.86 | 12.7 (1/2") | 6.35 (1/4") | II | 19.5 |
| | CAJ2432Z-HZ | 3/4 | 18.30 | CSR | 289 | 441 | 629 | 856 | 1127 | 3.3 | 6.4 | 0.84 | 12.7(1/2") | 7.9(5/16") | II | 20.3 |
| | CAJ2432Z-XA | 3/4 | 18.30 | CSR | 289 | 441 | 629 | 856 | 1127 | 6.6 | 14.9 | 0.85 | 12.7 (1/2") | 7.9 (5/16") | II | 20.3 |
| | CAJ2446Z-HZ | 1 | 26.20 | CSR | 499 | 724 | 992 | 1306 | 1674 | 5.1 | 11.8 | 0.97 | 12.7 (1/2") | 7.9 (5/16") | II | 21.7 |
| | CAJ2446Z-XA | 1 | 26.20 | CSR | 499 | 724 | 992 | 1306 | 1674 | 9.6 | 19.4 | 0.99 | 12.7 (1/2") | 7.9 (5/16") | II | 21.9 |
| | TAJ2446Z-KZ | 1 | 26.20 | TRI | 576 | 815 | 1096 | 1423 | 1803 | 3.1 | 7.3 | 1.16 | 12.7 (1/2") | 7.9 (5/16") | II | 20.8 |
| | CAJ2464Z-HZ | 1 1/2 | 34.50 | CSR | 656 | 936 | 1271 | 1670 | 2139 | 6.5 | 14.0 | 0.96 | 15.9 (5/8") | 9.5 (3/8") | II | 22.7 |
| | CAJ2464Z-XA | 1 1/2 | 34.50 | CSR | 656 | 936 | 1271 | 1670 | 2139 | 13.0 | 23.4 | 1.00 | 15.9 (5/8") | 9.5 (3/8") | II | 22.3 |
| | TAJ2464Z-KZ | 1 1/2 | 34.50 | TRI | 675 | 952 | 1282 | 1670 | 2125 | 3.9 | 8.3 | 1.06 | 15.9 (5/8") | 9.5 (3/8") | III | 21.6 |

▶ 60 HZ RANGE [AJ²]

| MODEL | HP | Disp. (cm ³) | Motor Type | CAPACITY (Watt) | | | | | CURRENT (A) | | COP (W/W) | DIAMETER OF CONNECTION | | DIMENSION | WEIGHT (KG) | |
|------------|-------------|--------------------------|------------|-----------------|---------|--------|------|------|--------------|--------------|-----------|------------------------|--------------------|-------------|-------------|------|
| | | | | - 15 °C | - 10 °C | - 5 °C | 0 °C | 5 °C | I Nom (Amps) | I Max (Amps) | | SUCTION (mm/Inches) | LIQUID (mm/Inches) | | | |
| HBP R-404a | CAJ9480Z-HZ | 2/3 | 15.20 | CSR | 1038 | 1307 | 1611 | 1952 | 2332 | 5.8 | 9.0 | 2.03 | 12.7 (1/2") | 7.9 (5/16") | II | 21.0 |
| | CAJ9480Z-XA | 2/3 | 15.20 | CSR | 1038 | 1307 | 1611 | 1952 | 2332 | 10.9 | 16.9 | 2.03 | 12.7 (1/2") | 7.9 (5/16") | II | 20.7 |
| | CAJ9510Z-HZ | 1 | 18.30 | CSR | 1308 | 1635 | 2005 | 2413 | 2854 | 7.3 | 11.8 | 2.02 | 15.9 (5/8") | 7.9 (5/16") | II | 23.0 |
| | CAJ9510Z-XA | 1 | 18.30 | CSR | 1308 | 1635 | 2005 | 2413 | 2854 | 14.2 | 21.4 | 1.97 | 15.9 (5/8") | 7.9 (5/16") | II | 21.9 |
| | CAJ9513Z-HZ | 1 1/8 | 24.20 | CSR | 1461 | 1887 | 2358 | 2884 | 3475 | 8.5 | 13.7 | 2.04 | 15.9 (5/8") | 7.9 (5/16") | II | 22.0 |
| | CAJ9513Z-XA | 1 1/8 | 24.20 | CSR | 1433 | 1867 | 2348 | 2887 | 3494 | 16.2 | 22.4 | 2.02 | 15.9 (5/8") | 7.9 (5/16") | II | 22.0 |
| | CAJ4517Z-HZ | 1 1/2 | 25.95 | CSR | 1861 | 2327 | 2868 | 3476 | 4142 | 9.2 | 14.9 | 2.26 | 15.9 (5/8") | 9.5 (3/8") | II | 22.2 |
| | TAJ4517Z-KZ | 1 1/2 | 25.95 | TRI | 1861 | 2327 | 2868 | 3476 | 4142 | 5.8 | 8.9 | 2.28 | 15.9 (5/8") | 9.5 (3/8") | II | 20.8 |
| | CAJ4519Z-HZ | 1 3/5 | 34.50 | CSR | 2423 | 3069 | 3790 | 4578 | 5422 | 12.3 | 17.0 | 2.19 | 15.9 (5/8") | 9.5 (3/8") | II | 21.8 |
| | TAJ4519Z-KZ | 1 3/5 | 34.50 | TRI | 2110 | 2692 | 3319 | 4009 | 4780 | 8.3 | 11.1 | 2.36 | 15.9 (5/8") | 9.5 (3/8") | III | 21.5 |
| HBP R-134a | CAJ4452Y-HZ | 2/5 | 15.20 | CSIR | 502 | 692 | 918 | 1176 | 1465 | 4.3 | 6.5 | 2.25 | 12.7 (1/2") | 6.35(1/4") | II | 19.2 |
| | CAJ4452Y-XA | 2/5 | 15.20 | CSIR | 429 | 621 | 843 | 1098 | 1393 | 8.2 | 13.5 | 2.13 | 12.7 (1/2") | 6.35(1/4") | II | 18.7 |
| | CAJ4461Y-HZ | 1/2 | 18.30 | CSIR | 643 | 842 | 1085 | 1371 | 1696 | 5.1 | 8.2 | 2.10 | 12.7 (1/2") | 6.35(1/4") | II | 18.7 |
| | CAJ4461Y-XA | 1/2 | 18.30 | CSIR | 604 | 822 | 1079 | 1381 | 1733 | 9.4 | 13.6 | 2.09 | 12.7 (1/2") | 6.35(1/4") | II | 18.8 |
| | CAJ4476Y-HZ | 2/3 | 21.80 | CSIR | 728 | 991 | 1306 | 1669 | 2078 | 6.0 | 8.6 | 2.19 | 12.7 (1/2") | 6.35(1/4") | II | 18.8 |
| | CAJ4476Y-XA | 2/3 | 21.80 | CSIR | 728 | 991 | 1306 | 1669 | 2078 | 11.0 | 15.2 | 2.21 | 12.7 (1/2") | 6.35(1/4") | II | 18.7 |
| | TAJ4476Y-KZ | 2/3 | 22.80 | TRI | 588 | 871 | 1197 | 1574 | 2009 | 2.8 | 5.1 | 2.48 | 12.7 (1/2") | 6.35(1/4") | II | 18.2 |
| | CAJ4492Y-HZ | 3/4 | 25.95 | CSIR | 793 | 1142 | 1541 | 1988 | 2479 | 7.3 | 10.2 | 2.50 | 12.7 (1/2") | 7.9 (5/16") | II | 20.1 |
| | CAJ4492Y-XA | 3/5 | 25.95 | CSIR | 689 | 1047 | 1440 | 1877 | 2366 | 12.9 | 17.8 | 2.16 | 12.7 (1/2") | 7.9 (5/16") | II | 20.3 |
| | CAJ4511Y-HZ | 1 | 32.70 | CSR | 1192 | 1608 | 2097 | 2655 | 3277 | 7.3 | 10.3 | 2.43 | 15.9 (5/8") | 7.9 (5/16") | II | 21.5 |
| | TAJ4511Y-KZ | 1 | 32.70 | TRI | 1150 | 1601 | 2093 | 2634 | 3234 | 4.6 | 7.1 | 2.32 | 15.9 (5/8") | 7.9 (5/16") | II | 20.0 |
| | HBP R-22 | TAJ4517TKZ | 1 1/5 | 25.95 | TRI | 1676 | 2234 | 2851 | 3528 | 4215 | 5.3 | 8.9 | 2.46 | 15.9 (5/8") | 9.5 (3/8") | II |
| TAJ4519TKZ | | 1 3/5 | 34.50 | TRI | 2475 | 3083 | 3807 | 4646 | 5610 | 7.1 | 10.5 | 2.31 | 15.9 (5/8") | 9.5 (3/8") | III | 21.2 |
| AC R-22 | AJ5510E-CZ | 1 | 18.60 | PSC,CSR | 969 | 1410 | 1917 | 2489 | 3126 | 5.4 | 8.2 | 2.43 | 9.5 (3/8") | 6.35 (1/4") | I | 17.4 |
| | AJ5512E-CZ | 1 | 21.75 | PSC,CSR | 1447 | 1916 | 2457 | 3069 | 3751 | 6.7 | 9.7 | 2.31 | 9.5 (3/8") | 6.35 (1/4") | I | 18.7 |
| | AJ5513E-CZ | 1 | 20.95 | PSC,CSR | 1770 | 2243 | 2799 | 3437 | 4159 | 7.4 | 11.6 | 2.31 | 12.7 (1/2") | 6.35 (1/4") | I | 19.3 |
| | AJ5515E-CZ | 1 1/5 | 25.95 | CSR | 2005 | 2568 | 3207 | 3924 | 4716 | 8.2 | 12.3 | 2.29 | 12.7 (1/2") | 7.9 (5/16") | II | 19.4 |
| | AJ5518E-CZ | 1 3/5 | 32.70 | CSR | 2764 | 3367 | 4095 | 4947 | 5925 | 10.4 | 15.5 | 2.24 | 12.7 (1/2") | 7.9 (5/16") | II | 20.8 |
| | AJ5519E-CZ | 1 3/5 | 34.45 | PSC,CSR | 2939 | 3537 | 4280 | 5166 | 6170 | 10.6 | 16.0 | 2.27 | 12.7 (1/2") | 7.9 (5/16") | II | 27.0 |
| AC R-407C | AJ5510C-CZ | 1 | 18.60 | PSC,CSR | 911 | 1275 | 1718 | 2251 | 2884 | 5.0 | 7.7 | 2.26 | 9.5 (3/8") | 6.35 (1/4") | II | 17.7 |
| | AJ5515C-CZ | 1 1/5 | 25.95 | PSC,CSR | 1568 | 2099 | 2718 | 3439 | 4272 | 7.5 | 12.9 | 2.21 | 12.7 (1/2") | 7.9 (5/16") | II | 19.2 |
| | TAJ5519C-KZ | 1 3/5 | 34.45 | TRI | 2098 | 2923 | 3865 | 4926 | 6106 | 6.3 | 11.3 | 2.45 | 12.7 (1/2") | 7.9 (5/16") | III | 21.7 |

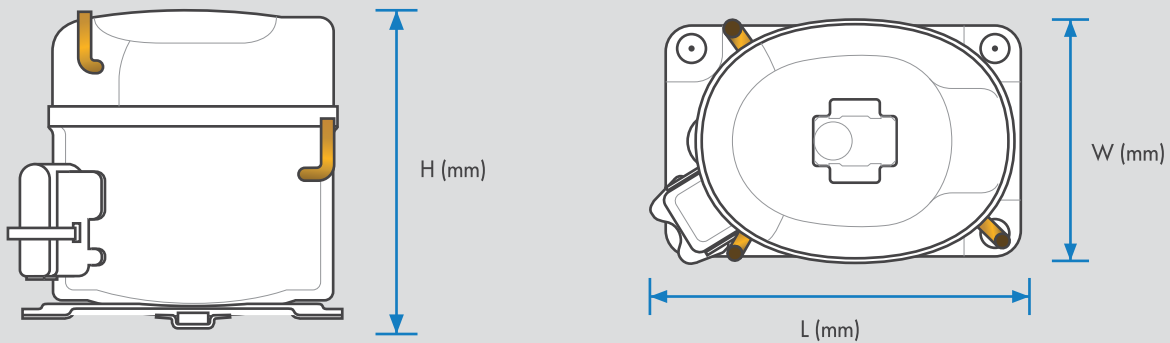
▶ 60 HZ RANGE [TYA]

TYA

TYA Compressors for 60 Hz Range

Dimension Specification for TYA

Specification drawing is for reference only, for detail information please refer to our staffs.



| DIMENSION I | | |
|-------------|------------|-------------|
| Height (mm) | Width (mm) | Length (mm) |
| 234.5 | 141.2 | 236.0 |

| MODEL | HP | Disp. (cm ³) | Motor Type | CAPACITY (Watt) | | | | | CURRENT (A) | | COP (W/W) | DIAMETER OF CONNECTION | | DIMENSION | WEIGHT (KG) | |
|------------|------------|--------------------------|------------|-----------------|-----------|-----------|-----------|-----------|--------------|----------------|-----------|------------------------|--------------------|------------|-------------|------|
| | | | | - 34.4 °C | - 28.9 °C | - 23.3 °C | - 17.3 °C | - 12.2 °C | I Nom (Amps) | LRA Max (Amps) | | SUCTION (mm/Inches) | LIQUID (mm/Inches) | | | |
| LBP R-22 | TYA2431ZDS | 1 | 18.80 | CSR | 315 | 583 | 922 | 1336 | 1731 | 10.0 | 55.0 | 1.11 | 12.7 (1/2") | 9.5 (3/8") | 1 | 16.5 |
| | TYA2431ZES | 1 | 18.80 | CSR | 315 | 583 | 922 | 1336 | 1731 | 3.65 | 29.0 | 1.22 | 12.7 (1/2") | 9.5 (3/8") | 1 | 17.5 |
| | TYA2438ZDS | 1 1/4 | 22.33 | CSR | 370 | 684 | 1083 | 1569 | 2033 | 9.85 | 69.0 | 1.19 | 12.7 (1/2") | 9.5 (3/8") | 1 | 17.5 |
| | TYA2438ZES | 1 1/4 | 22.33 | CSR | 381 | 705 | 1116 | 1615 | 2093 | 4.73 | 36.5 | 1.21 | 12.7 (1/2") | 9.5 (3/8") | 1 | 17.4 |
| | TYA2446ZES | 1 2/3 | 26.00 | CSR | 477 | 883 | 1398 | 2025 | 2623 | 6.07 | 42.0 | 1.22 | 12.7 (1/2") | 9.5 (3/8") | 1 | 18.5 |
| | | | | | - 17.8 °C | - 12.2 °C | - 6.7 °C | 7.2 °C | 10 °C | | | | | | | |
| HBP R-404a | TYA9456ZES | - | - | - | - | - | - | - | - | - | - | - | 12.7 (1/2") | 9.5 (3/8") | 1 | - |
| | TYA9457ZES | 1 | 19.00 | CSIR | 839 | 1247 | 1693 | 3042 | 3373 | 8.60 | 37.5 | 1.4 | 12.7 (1/2") | 9.5 (3/8") | 1 | 16.8 |
| | TYA9468ZES | 1 1/3 | 22.30 | CSR | 1001 | 1489 | 2020 | 3361 | 4027 | 8.15 | 41.0 | 1.45 | 12.7 (1/2") | 9.5 (3/8") | 1 | 17.5 |
| | TYA9472ZES | - | - | - | - | - | - | - | - | - | - | - | 12.7 (1/2") | 9.5 (3/8") | 1 | - |
| | TYA9483ZES | 1 1/2 | 26.00 | CSR | 1204 | 1791 | 2430 | 4368 | 4844 | 9.15 | 43.0 | 1.55 | 12.7 (1/2") | 9.5 (3/8") | 1 | 17.8 |
| | TYA9486ZES | - | - | - | - | - | - | - | - | - | - | - | 12.7 (1/2") | 9.5 (3/8") | 1 | - |

▶ 60 HZ RANGE [TYA]

| MODEL | HP | Disp. (cm ³) | Motor Type | CAPACITY (Watt) | | | | | CURRENT (A) | | COP (W/W) | DIAMETER OF CONNECTION | | DIMENSION | WEIGHT (KG) | |
|-------------------|------------|--------------------------|------------|-----------------|-----------|----------|----------|--------|--------------|----------------|-----------|------------------------|--------------------|------------|-------------|------|
| | | | | - 17.8 °C | - 12.2 °C | - 6.7 °C | 7.2 °C | 10 °C | I Nom (Amps) | LRA Max (Amps) | | SUCTION (mm/Inches) | LIQUID (mm/Inches) | | | |
| HBP R-22 | TYA9948EES | 3/4 | 16.00 | CSIR | 566 | 841 | 1142 | 2053 | 2276 | 5.95 | 27.2 | 1.24 | 12.7 (1/2") | 9.5 (3/8") | 1 | 17.8 |
| | TYA9455EES | 1 | 18.80 | CSIR | 726 | 1079 | 1464 | 2632 | 2918 | 8.25 | 37.5 | 1.26 | 12.7 (1/2") | 9.5 (3/8") | 1 | 18.7 |
| | TYA9467EES | 1 1/5 | 22.30 | CSIR | 871 | 1294 | 1757 | 3158 | 3502 | 7.75 | 41.0 | 1.45 | 12.7 (1/2") | 9.5 (3/8") | 1 | 18.5 |
| | TYA9474EES | 1 1/2 | 26.00 | CSIR | 1016 | 1510 | 2050 | 3684 | 4085 | 8.80 | 43.0 | 1.41 | 12.7 (1/2") | 9.5 (3/8") | 1 | 19.3 |
| | | | | | - 15.0 °C | - 9.4 °C | - 3.9 °C | 7.2 °C | 10 °C | | | | | | | |
| HBP R-134a | TYA4452YES | - | - | - | - | - | - | - | - | - | - | - | 12.7 (1/2") | 9.5 (3/8") | 1 | - |
| | TYA4466YES | 2/3 | 18.80 | CSIR | 497 | 879 | 1247 | 2020 | 2272 | 5.40 | 27.00 | 2.23 | 12.7 (1/2") | 9.5 (3/8") | 1 | 17.5 |
| | TYA4475YES | 3/4 | 22.30 | CSIR | 576 | 1019 | 1445 | 2343 | 2634 | 7.39 | 37.00 | 2.09 | 12.7 (1/2") | 9.5 (3/8") | 1 | 18.0 |
| | TYA4489YES | 1 | 26.00 | CSIR | 677 | 1197 | 1698 | 2753 | 3095 | 7.30 | 35.00 | 2.14 | 12.7 (1/2") | 9.5 (3/8") | 1 | 18.6 |
| | TYA4466YDS | 2/3 | 18.80 | CSIR | 497 | 879 | 1247 | 2020 | 2272 | 10.00 | 48.00 | 2 | 12.7 (1/2") | 9.5 (3/8") | 1 | 18.8 |
| | TYA4475YDS | 3/4 | 22.30 | CSIR | 576 | 1019 | 1445 | 2343 | 2634 | 14.00 | 64.00 | 2 | 12.7 (1/2") | 9.5 (3/8") | 1 | 18.0 |



**SAFE FOR
FOOD INDUSTRIES**

▶ 60 HZ RANGE [FH]

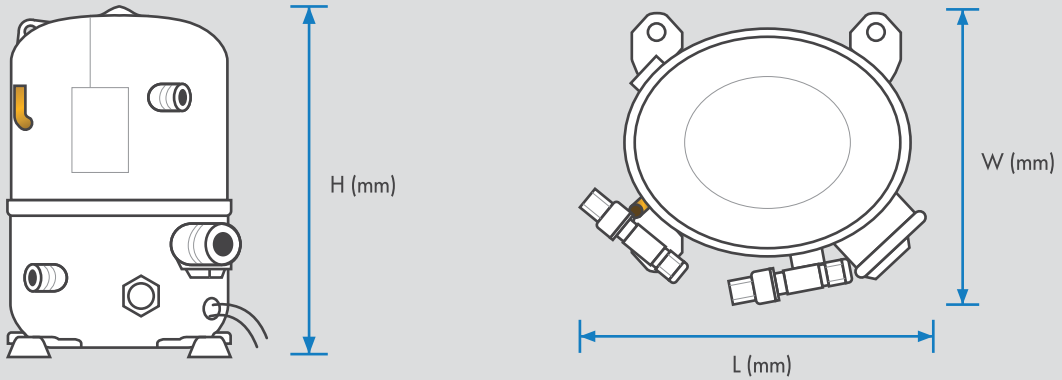


FH Compressors for 60 Hz Range



Dimension Specification for FH

Specification drawing is for reference only, for detail information please refer to our staffs.



| DIMENSION I | | | DIMENSION II | | | DIMENSION III | | |
|-------------|------------|-------------|--------------|------------|-------------|---------------|------------|-------------|
| Height (mm) | Width (mm) | Length (mm) | Height (mm) | Width (mm) | Length (mm) | Height (mm) | Width (mm) | Length (mm) |
| 330.0 | 200.0 | 246.0 | 354.0 | 200.0 | 246.0 | 370.0 | 200.0 | 246.0 |

| MODEL | HP | Disp. (cm ³) | Motor Type | CAPACITY (Watt) | | | | | CURRENT (A) | | COP (W/W) | DIAMETER OF CONNECTION | | DIMENSION | WEIGHT (KG) | |
|------------|----------|--------------------------|------------|-----------------|---------|---------|---------|---------|--------------|--------------|-----------|------------------------|--------------------|-------------|-------------|------|
| | | | | - 40 °C | - 35 °C | - 30 °C | - 25 °C | - 20 °C | I Nom (Amps) | I Max (Amps) | | SUCTION (mm/Inches) | LIQUID (mm/Inches) | | | |
| LBP R-404A | FH2480Z | 2 | 53.20 | CSR | 826 | 1294 | 1835 | 2453 | 3155 | 9.2 | 21.0 | 0.85 | 15.9 (5/8") | 12.7 (1/2") | III | 37.5 |
| | TFH2480Z | 2 | 53.20 | TRI | 814 | 1293 | 1832 | 2439 | 3121 | 3.0 | 6.4 | 0.95 | 15.9 (5/8") | 12.7 (1/2") | II | 32.9 |
| | FH2511Z | 2 3/4 | 74.20 | CSR | 1155 | 1811 | 2581 | 3478 | 4518 | 12.0 | 27.0 | 0.95 | 15.9 (5/8") | 12.7 (1/2") | III | 36.8 |
| | TFH2511Z | 2 3/4 | 74.20 | TRI | 1188 | 1868 | 2627 | 3471 | 4406 | 3.8 | 7.2 | 1.04 | 15.9 (5/8") | 12.7 (1/2") | III | 32.9 |
| | | | | | - 15 °C | - 10 °C | - 5 °C | 0 °C | 5 °C | | | | | | | |
| HBP R-404A | TFH4522Z | 1 4/5 | 39.90 | TRI | 1859 | 2635 | 3482 | 4417 | 5454 | 4.1 | 5.9 | 2.16 | 15.9 (5/8") | 12.7 (1/2") | II | 30.0 |
| | FH4524Z | 2 | 43.50 | CSR | 2357 | 3167 | 4047 | 5099 | 6259 | 14.5 | 23.0 | 2.19 | 15.9 (5/8") | 12.7 (1/2") | II | 34.7 |
| | TFH4524Z | 2 | 43.50 | TRI | 2107 | 2974 | 3907 | 4921 | 6032 | 4.7 | 7.9 | 2.16 | 15.9 (5/8") | 12.7 (1/2") | II | 30.4 |
| | FH4531Z | 2 3/5 | 56.60 | CSR | 2938 | 4172 | 5406 | 6688 | 8069 | 18.4 | 31.4 | 2.14 | 22.2 (7/8") | 12.7 (1/2") | III | 36.5 |
| | TFH4531Z | 2 3/5 | 56.60 | TRI | 2819 | 3711 | 4754 | 5968 | 7377 | 5.7 | 10.4 | 2.11 | 22.2 (7/8") | 12.7 (1/2") | II | 31.2 |
| | FH4540Z | 3 2/7 | 74.20 | CSR | 4134 | 5383 | 6762 | 8294 | 10002 | 24.9 | 40.6 | 1.96 | 22.2 (7/8") | 12.7 (1/2") | III | 37.0 |
| | TFH4540Z | 3 2/7 | 74.20 | TRI | 4129 | 5317 | 6670 | 8217 | 9986 | 7.7 | 10.1 | 2.15 | 22.2 (7/8") | 12.7 (1/2") | III | 33.0 |

▶ 60 HZ RANGE [FH]

| MODEL | HP | Disp. (cm ³) | Motor Type | CAPACITY (Watt) | | | | | CURRENT (A) | | COP (w/w) | DIAMETER OF CONNECTION | | DIMENSION | WEIGHT (KG) | |
|------------|----------|--------------------------|------------|------------------|---------|--------|-------|-------|--------------|--------------|-----------|------------------------|--------------------|-------------|-------------|------|
| | | | | - 15 °C | - 10 °C | - 5 °C | 0°C | 5 °C | I Nom (Amps) | I Max (Amps) | | SUCTION (mm/Inches) | LIQUID (mm/Inches) | | | |
| HBP R-22 | FH4522F | 1 4/5 | 39.95 | CSR | 2158 | 2916 | 3818 | 4862 | 6048 | 11.4 | 17.5 | 2.45 | 15.9 (5/8") | 12.7 (1/2") | II | 32.0 |
| | FH4524F | 2 | 43.50 | CSR | 2506 | 3280 | 4226 | 5342 | 6630 | 13.1 | 20.7 | 2.45 | 15.9 (5/8") | 12.7 (1/2") | II | 34.0 |
| | TFH4524F | 2 | 43.50 | TRI | 2506 | 3280 | 4226 | 5342 | 6630 | 4.2 | 5.4 | 2.37 | 15.9 (5/8") | 12.7 (1/2") | II | 30.0 |
| | FH4531F | 2 3/5 | 56.65 | CSR | 3564 | 4677 | 5928 | 7316 | 8842 | 16.7 | 25.5 | 2.43 | 22.2 (7/8") | 12.7 (1/2") | III | 36.0 |
| | TFH4531F | 2 3/5 | 56.65 | TRI | 3564 | 4677 | 5928 | 7316 | 8842 | 5.1 | 7.3 | 2.42 | 22.2 (7/8") | 12.7 (1/2") | II | 31.0 |
| | TFH4540F | 3 2/7 | 74.25 | TRI | 4087 | 5743 | 7541 | 9480 | 11561 | 6.6 | 8.7 | 2.46 | 22.2 (7/8") | 12.7 (1/2") | III | 33.0 |
| HBP R-134a | FH4518Y | 1 1/2 | 53.20 | CSR | 1401 | 2194 | 3106 | 4145 | 5304 | 10.6 | 16.6 | 2.44 | 15.9 (5/8") | 12.7 (1/2") | I | 32.0 |
| | TFH4518Y | 1 1/2 | 53.20 | TRI | 1356 | 1947 | 2670 | 3548 | 4605 | 3.5 | 4.6 | 2.24 | 15.9 (5/8") | 12.7 (1/2") | II | 30.0 |
| | FH4525Y | 2 | 74.25 | CSR | 2254 | 3118 | 4197 | 5490 | 6998 | 13.3 | 20.3 | 2.41 | 15.9 (5/8") | 12.7 (1/2") | II | 34.0 |
| | TFH4525Y | 2 | 74.25 | TRI | 2198 | 3013 | 3998 | 5182 | 6594 | 4.1 | 7.3 | 2.40 | 15.9 (5/8") | 12.7 (1/2") | II | 31.0 |
| AC R-22 | FH5524E | 2 | 39.90 | PTCSCR, CSR, PSC | 2770 | 3619 | 4645 | 5849 | 7232 | 13.6 | 20.4 | 2.31 | 15.9 (5/8") | 9.5 (3/8") | I | 31.5 |
| | TFH5524E | 2 | 43.50 | TRI | 2770 | 3619 | 4645 | 3849 | 7232 | 3.9 | 5.8 | 2.34 | 15.9 (5/8") | 9.5 (3/8") | II | 31.0 |
| | FH5527E | 2 | 43.50 | PTCSCR, CSR, PSC | 3300 | 4136 | 5227 | 6573 | 8174 | 16.1 | 25.0 | 2.28 | 15.9 (5/8") | 9.5 (3/8") | I | 32.0 |
| | FH5531E | 2 3/5 | 56.65 | PTCSCR, CSR, PSC | 4017 | 5182 | 6508 | 7995 | 9642 | 29.0 | 26.5 | 2.34 | 19.0 (3/4") | 9.5 (3/8") | II | 33.0 |
| | TFH5531E | 2 3/5 | 56.65 | TRI | 4017 | 5182 | 6508 | 7995 | 9642 | 4.8 | 6.6 | 2.40 | 19.0 (3/4") | 9.5 (3/8") | II | 31.5 |
| | FH5540E | 3 2/7 | 74.25 | PTCSCR, CSR, PSC | 4572 | 6368 | 8303 | 10380 | 12596 | 27.8 | 36.0 | 2.39 | 19.0 (3/4") | 9.5 (3/8") | III | 33.0 |
| TFH5540E | 3 2/7 | 74.25 | TRI | 4572 | 6368 | 8303 | 10380 | 12596 | 6.2 | 10.0 | 2.43 | 19.0 (3/4") | 9.5 (3/8") | III | 31.5 | |
| ACR-407C | TFH5524C | 2 | 43.50 | TRI | - | 2442 | 3383 | 4480 | 5755 | 4.1 | 6.8 | 2.28 | 15.9 (5/8") | 9.5 (3/8") | II | 31.1 |
| | TFH5540C | 3 2/7 | 74.25 | TRI | - | 4358 | 5819 | 7504 | 9442 | 5.0 | 10.8 | 2.30 | 19.0 (3/4") | 9.5 (3/8") | III | 31.9 |



**SUITABLE
FOR FROZEN FOOD
& OTHERS INDUSTRIES**

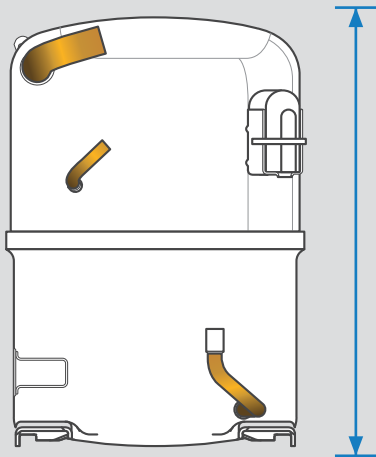
▶ 60 HZ RANGE [AW]

AW

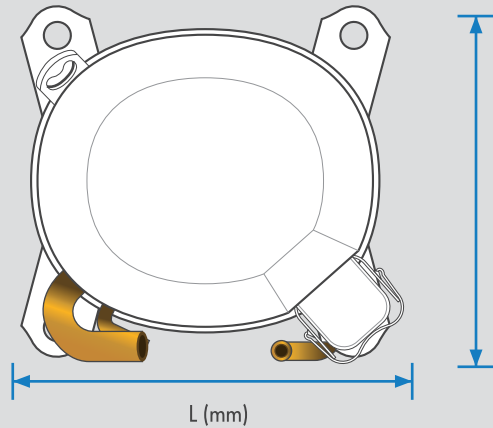
AW Compressors for 60 Hz Range

Dimension Specification for AW

Specification drawing is for reference only, for detail information please refer to our staffs.



H (mm)



W (mm)

L (mm)

DIMENSION I

| Height (mm) | Width (mm) | Length (mm) |
|-------------|------------|-------------|
| 324.0 | 141.2 | 236.0 |

| MODEL | HP | Disp. (cm ³) | Motor Type | CAPACITY (Watt) | CURRENT (A) | | COP (W/W) | DIAMETER OF CONNECTION | | DIMENSION | WEIGHT (KG) | |
|---------|------------|--------------------------|------------|-----------------|--------------|--------------|-----------|------------------------|--------------------|--------------|-------------|------|
| | | | | 7.2 °C | I Nom (Amps) | I Max (Amps) | | SUCTION (mm/Inches) | LIQUID (mm/Inches) | | | |
| AC R-22 | AWZ5516EXN | 1 1/3 | 30.60 | PSC | 4689 | 7.00 | 12.3 | 2.97 | 15.9 (5/8") | 11.2 (7/16") | I | 26.0 |
| | AWZ5520EXN | 1 2/3 | 39.66 | PSC | 5979 | 9.70 | 15.4 | 2.88 | 15.9 (5/8") | 11.2 (7/16") | I | 27.7 |
| | AWZ5524CNA | - | 45.80 | PSC | - | - | - | - | 15.9 (5/8") | 11.2 (7/16") | I | - |
| | AWZ5524EXN | 2 | 43.26 | TRI | 7210 | 11.00 | 19.10 | 2.91 | 15.9 (5/8") | 11.2 (7/16") | I | 27.0 |
| | AWZ5524ETZ | 2 | 43.26 | PSC | 6858 | 3.65 | - | 2.73 | 15.9 (5/8") | 11.2 (7/16") | I | 27.7 |
| | AWZ5535CNA | 3 | 63.00 | PSC | 10580 | 17.00 | - | 2.94 | 15.9 (5/8") | 11.2 (7/16") | I | 30.5 |
| | AWZ5535EXN | 3 | 59.00 | PSC | 10257 | 15.4 | 26.4 | 2.93 | 15.9 (5/8") | 11.2 (7/16") | I | 30.0 |
| | AWZ5538EXN | 3 1/6 | 63.00 | PSC | 11137 | 18.3 | 29.5 | 2.93 | 15.9 (5/8") | 11.2 (7/16") | I | 30.0 |
| | AWZ5538ETZ | 3 1/6 | 63.00 | TRI | 10844 | 5.70 | - | 2.91 | 15.9 (5/8") | 11.2 (7/16") | I | 31.0 |



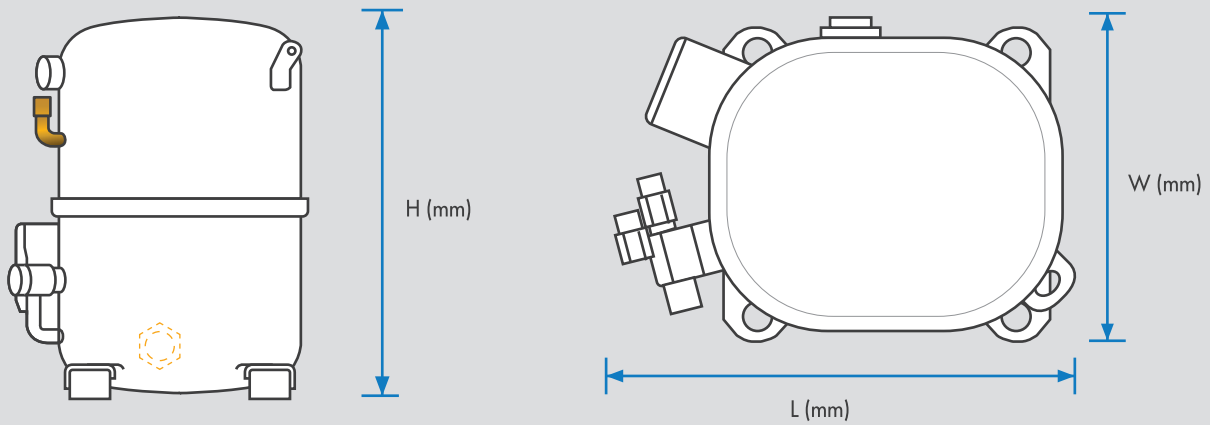
▶ 60 HZ RANGE [AG]



AG Compressors for 60 Hz Range

Dimension Specification for AG

Specification drawing is for reference only, for detail information please refer to our staffs.



| DIMENSION I | | | DIMENSION II | | | DIMENSION III | | |
|-------------|------------|-------------|--------------|------------|-------------|---------------|------------|-------------|
| Height (mm) | Width (mm) | Length (mm) | Height (mm) | Width (mm) | Length (mm) | Height (mm) | Width (mm) | Length (mm) |
| 368.0 | 224.0 | 261.0 | 381.0 | 224.0 | 261.0 | 393.0 | 224.0 | 261.0 |

| MODEL | HP | Disp. (cm ³) | Motor Type | CAPACITY (Watt) | | | | | CURRENT (A) | | COP (W/W) | DIAMETER OF CONNECTION | | DIMENSION | WEIGHT (KG) | |
|------------|----------|--------------------------|------------|-----------------|---------|---------|---------|---------|--------------|--------------|-----------|------------------------|--------------------|-------------|-------------|------|
| | | | | - 40 °C | - 35 °C | - 30 °C | - 25 °C | - 20 °C | I Nom (Amps) | I Max (Amps) | | SUCTION (mm/Inches) | LIQUID (mm/Inches) | | | |
| LBP R-404a | TAG2513Z | 3 1/4 | 100.7 | TRI | 1214 | 2124 | 3178 | 4393 | 5788 | 8.3 | 19.3 | 1.42 | 22.2 (7/8") | 15.9 (5/8") | I | 44.0 |
| | TAG2516Z | 4 | 112.5 | TRI | 2004 | 2744 | 3746 | 5011 | 6536 | 10.0 | 27.6 | 1.44 | 22.2 (7/8") | 15.9 (5/8") | II | 45.0 |
| | TAG2522Z | 5 1/2 | 134.8 | TRI | - | 4423 | 5593 | 7217 | 9295 | 12.9 | 30.9 | 1.43 | 28.6 (1"1/8) | 15.9 (5/8") | III | 47.0 |
| | TAG2525Z | 6 1/4 | 145.0 | TRI | 2453 | 3622 | 4937 | 6427 | 8121 | 13.7 | 27.6 | 1.43 | 22.2 (7/8") | 15.9 (5/8") | III | 46.0 |
| | | | | - 15 °C | - 10 °C | - 5 °C | 0 °C | 5 °C | | | | | | | | |
| HBP R-404a | TAG4546Z | 3 4/5 | 90.2 | TRI | 5864 | 7793 | 9980 | 12461 | 15274 | 16.4 | 22.6 | 2.41 | 22.2 (7/8") | 15.9 (5/8") | I | 44.0 |
| | TAG4553Z | 4 2/5 | 100.7 | TRI | 6824 | 8924 | 11302 | 14000 | 17055 | 18.1 | 27.9 | 2.38 | 22.2 (7/8") | 15.9 (5/8") | II | 45.6 |
| | TAG4561Z | 5 | 112.5 | TRI | 7452 | 9700 | 12313 | 15352 | 18874 | 20.5 | 31.3 | 2.25 | 28.6 (1"1/8) | 15.9 (5/8") | II | 46.0 |
| | TAG4568Z | 5 3/5 | 124.4 | TRI | 9208 | 11807 | 14728 | 17897 | 21239 | 23.2 | 36.5 | 2.36 | 28.6 (1"1/8) | 15.9 (5/8") | III | 47.2 |
| | TAG4573Z | 6 | 134.8 | TRI | 9686 | 12346 | 15433 | 19005 | 23118 | 26.6 | 39.2 | 2.22 | 28.6 (1"1/8) | 15.9 (5/8") | III | 48.0 |
| | TAG4581Z | 6 3/4 | 145.0 | TRI | 10717 | 13503 | 16621 | 20133 | 24103 | 31.0 | 42.0 | 2.20 | 28.6 (1"1/8) | 15.9 (5/8") | III | 48.1 |

| MODEL | HP | Disp. (cm ³) | Motor Type | CAPACITY (Watt) | | | | | CURRENT (A) | | COP (W/W) | DIAMETER OF CONNECTION | | DIMENSION | WEIGHT (KG) | |
|------------|----------|--------------------------|------------|-----------------|---------|--------|-------|-------|--------------|--------------|-----------|------------------------|--------------------|-------------|-------------|------|
| | | | | - 15 °C | - 10 °C | - 5 °C | 0 °C | 5 °C | I Nom (Amps) | I Max (Amps) | | SUCTION (mm/Inches) | LIQUID (mm/Inches) | | | |
| HBP R-22 | TAG4546T | 3 4/5 | 90.2 | TRI | 5545 | 7410 | 9563 | 12032 | 14844 | 13.0 | 25.0 | 2.69 | 22.2 (7/8") | 15.9 (5/8") | I | 44.0 |
| | TAG4553T | 4 2/5 | 100.7 | TRI | 6550 | 8718 | 11269 | 14234 | 17646 | 16.0 | 26.0 | 2.74 | 22.2 (7/8") | 15.9 (5/8") | II | 46.0 |
| | TAG4561T | 5 | 112.5 | TRI | 7614 | 10003 | 12849 | 16194 | 20082 | 17.0 | 32.0 | 2.67 | 28.6 (1"1/8) | 15.9 (5/8") | II | 46.0 |
| | TAG4568T | 5 3/5 | 124.4 | TRI | 8530 | 11176 | 14414 | 18244 | 22667 | 20.0 | 30.0 | 2.66 | 28.6 (1"1/8) | 15.9 (5/8") | III | 48.0 |
| | TAG4573T | 6 | 134.8 | TRI | 9519 | 12216 | 15433 | 19224 | 23646 | 23.1 | 37.0 | 2.47 | 28.6 (1"1/8) | 15.9 (5/8") | III | 48.0 |
| HBP R-134a | TAG4528Y | 2 3/10 | 90.2 | TRI | 2294 | 3534 | 5083 | 6943 | 9112 | 9.0 | 25.0 | 2.74 | 22.2 (7/8") | 15.9 (5/8") | I | 44.0 |
| | TAG4534Y | 2 4/5 | 100.7 | TRI | 3324 | 4724 | 6463 | 8541 | 10958 | 10.0 | 25.0 | 2.76 | 22.2 (7/8") | 15.9 (5/8") | I | 44.0 |
| | TAG4537Y | 3 | 112.5 | TRI | 3896 | 5443 | 7375 | 9694 | 12398 | 12.0 | 25.0 | 2.74 | 22.2 (7/8") | 15.9 (5/8") | I | 44.0 |
| | TAG4543Y | 3 1/2 | 124.4 | TRI | 4096 | 5667 | 7719 | 10251 | 13265 | 13.0 | 25.0 | 2.59 | 22.2 (7/8") | 15.9 (5/8") | I | 44.0 |
| AC R-22 | TAG5546E | 3 4/5 | 90.2 | TRI | 4797 | 6415 | 8498 | 11045 | 14058 | 13.0 | 25.0 | 2.69 | 22.2 (7/8") | 12.7 (1/2") | I | 42.5 |
| | TAG5553E | 4 2/5 | 100.7 | TRI | 6138 | 7804 | 10036 | 12834 | 16196 | 16.3 | 26.0 | 2.72 | 22.2 (7/8") | 12.7 (1/2") | II | 43.5 |
| | TAG5561E | 5 | 112.5 | TRI | 6831 | 9001 | 11705 | 14943 | 18715 | 17.0 | 32.0 | 2.70 | 22.2 (7/8") | 12.7 (1/2") | II | 44.5 |
| | TAG5568E | 5 3/5 | 124.4 | TRI | 7978 | 10231 | 13144 | 16717 | 20949 | 22.0 | 30.0 | 2.66 | 22.2 (7/8") | 12.7 (1/2") | III | 46.0 |
| | TAG5573E | 6 | 134.8 | TRI | 8798 | 11024 | 14025 | 17803 | 22356 | 24.2 | 37.0 | 2.46 | 22.2 (7/8") | 12.7 (1/2") | III | 46.0 |
| AC R-407C | TAG5553C | 4 2/5 | 100.7 | TRI | 4722 | 6726 | 9096 | 11882 | 15131 | 14.8 | 25.2 | 2.44 | 22.2 (7/8") | 12.7 (1/2") | II | 46.0 |



**SUITABLE
FOR FROZEN FOOD
& OTHERS INDUSTRIES**

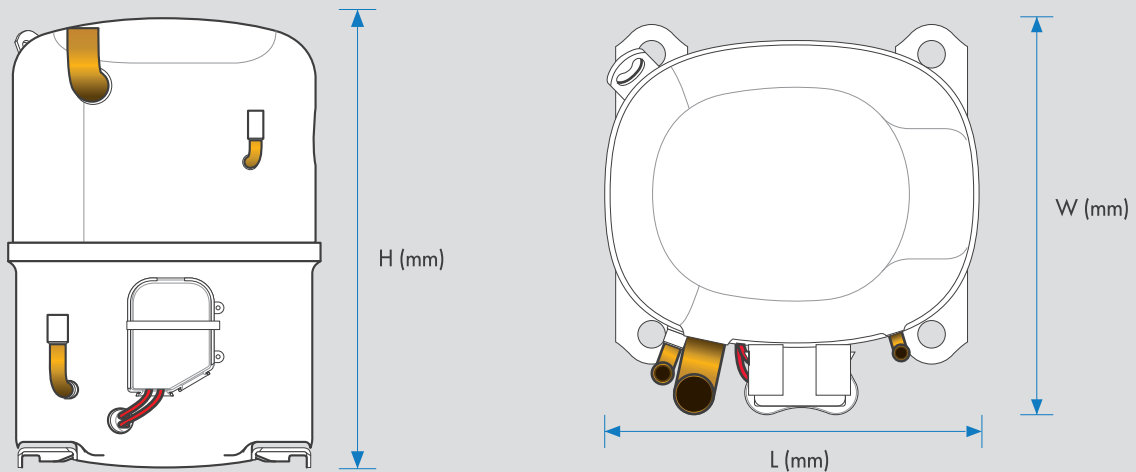
▶ 60 HZ RANGE [AV]

AV

AV Compressors for 60 Hz Range

Dimension Specification for AV

Specification drawing is for reference only, for detail information please refer to our staffs.



| DIMENSION I | | | DIMENSION II | | | DIMENSION III | | |
|-------------|------------|-------------|--------------|------------|-------------|---------------|------------|-------------|
| Height (mm) | Width (mm) | Length (mm) | Height (mm) | Width (mm) | Length (mm) | Height (mm) | Width (mm) | Length (mm) |
| 355.6 | 257.6 | 250.2 | 363.2 | 257.6 | 250.2 | 373.4 | 257.6 | 250.2 |

| MODEL | HP | Disp. (cm ³) | Motor Type | CAPACITY (Watt) | | | | | CURRENT (A) | | COP (W/W) | DIAMETER OF CONNECTION | | DIMENSION | WEIGHT (KG) | |
|------------|------------|--------------------------|------------|-----------------|---------|---------|---------|---------|--------------|--------------|-----------|------------------------|--------------------|-------------|-------------|------|
| | | | | - 40 °C | - 35 °C | - 30 °C | - 25 °C | - 20 °C | I Nom (Amps) | I Max (Amps) | | SUCTION (mm/Inches) | LIQUID (mm/Inches) | | | |
| LBP R-404A | AVA2490ZXN | 2 | 73.3 | CSR | 670 | 1230 | 1870 | 2650 | 3590 | 11.4 | 15.9 | 1.1 | 22.2 (7/8") | 12.7 (1/2") | I | 43.2 |
| | AVA2490ZXT | 2 | 73.3 | 3PH | 640 | 1180 | 1790 | 2530 | 3440 | 7.4 | 10.3 | 1.1 | 22.2 (7/8") | 12.7 (1/2") | I | 35.9 |
| | AVA2512ZXN | 3 | 91.0 | CSR | 880 | 1620 | 2460 | 3480 | 4730 | 16.9 | 23.6 | 1.1 | 22.2 (7/8") | 12.7 (1/2") | I | 42.7 |
| | AVA2512ZXT | 3 | 91.0 | 3PH | 670 | 1440 | 2340 | 3390 | 4580 | 9.3 | 13.1 | 1.1 | 22.2 (7/8") | 12.7 (1/2") | I | 38.2 |
| | | | | | - 15 °C | - 10 °C | - 5 °C | 0 °C | 5 °C | | | | | | | |
| HBP R-404A | AVA9519ZXN | 3 | 67.0 | CSR | 3840 | 4940 | 6110 | 7530 | 9540 | 18.8 | 21.7 | 2.6 | 22.2 (7/8") | 12.7 (1/2") | III | 38.2 |
| | AVA9519ZXT | 3 | 67.0 | 3PH | 3840 | 4940 | 6110 | 7530 | 9540 | 11.2 | 12.9 | 2.7 | 22.2 (7/8") | 12.7 (1/2") | I | 37.3 |
| | AVA9522ZXN | 3 1/2 | 73.3 | CSR | 4130 | 5520 | 6870 | 8540 | 10880 | 21.0 | 24.2 | 2.6 | 22.2 (7/8") | 12.7 (1/2") | I | 38.2 |
| | AVA9522ZXT | 3 1/2 | 79.0 | 3PH | 4200 | 5410 | 6670 | 8290 | 10720 | 12.5 | 14.3 | 2.7 | 22.2 (7/8") | 12.7 (1/2") | I | 38.2 |
| | AVA9528ZXN | 4 | 79.0 | CSR | 5590 | 7170 | 8900 | 10880 | 12980 | 28.2 | 33.6 | 2.3 | 19.0 (3/4") | 12.7 (1/2") | I | 38.2 |
| | AVA9528ZXT | 4 | 91.0 | 3PH | 5590 | 7170 | 8900 | 10880 | 12980 | 16.8 | 20.0 | 2.4 | 22.2 (7/8") | 12.7 (1/2") | I | 38.2 |

| MODEL | HP | Disp. (cm ³) | Motor Type | CAPACITY (Watt) | | | | | CURRENT (A) | | COP (W/W) | DIAMETER OF CONNECTION | | DIMENSION | WEIGHT (KG) | |
|---------|------------|--------------------------|------------|-----------------|---------|--------|-------|-------|--------------|--------------|-----------|------------------------|--------------------|-------------|-------------|------|
| | | | | - 15 °C | - 10 °C | - 5 °C | 0 °C | 5 °C | I Nom (Amps) | I Max (Amps) | | SUCTION (mm/Inches) | LIQUID (mm/Inches) | | | |
| AC R-22 | AVA5532EXN | 2 1/2 | 57.6 | PSC | 2750 | 3900 | 5230 | 6750 | 8420 | 15.6 | 17.6 | 2.9 | 19.0 (3/4") | 9.5 (3/8") | II | 36.8 |
| | AVA5532EXT | 2 1/2 | 57.6 | 3PH | 2750 | 3900 | 5230 | 6750 | 8420 | 8.9 | 10.0 | 3.1 | 19.0 (3/4") | 9.5 (3/8") | I | 35.9 |
| | AVA5535EXN | 2 3/4 | 62.4 | PSC | 2980 | 4250 | 5700 | 7370 | 9240 | 15.8 | 17.4 | 2.9 | 19.0 (3/4") | 9.5 (3/8") | II | 40.0 |
| | AVA5535EXT | 2 3/4 | 62.4 | 3PH | 3070 | 4290 | 5730 | 7380 | 9240 | 9.7 | 10.9 | 3.0 | 19.0 (3/4") | 9.5 (3/8") | I | 40.5 |
| | AVA5538EXT | 3 | 67.0 | 3PH | 3610 | 4870 | 6410 | 8190 | 10140 | 9.6 | 10.8 | 3.3 | 22.2 (7/8") | 12.7 (1/2") | I | 36.8 |
| | AVA5542EXG | 3 1/2 | 73.3 | PSC | 3530 | 4970 | 6750 | 8830 | 11140 | 19.7 | 22.4 | 2.90 | 22.2 (7/8") | 12.7 (1/2") | I | 37.7 |
| | AVA5542EXT | 3 1/2 | 73.3 | 3PH | 3980 | 5450 | 7100 | 8970 | 11070 | 12.3 | 13.6 | 2.90 | 22.2 (7/8") | 12.7 (1/2") | I | 37.7 |
| | AVA5546EXN | 3 3/4 | 79.0 | PSC | 3860 | 5430 | 7380 | 9660 | 12180 | 21.5 | 24.4 | 2.90 | 22.2 (7/8") | 12.7 (1/2") | I | 38.6 |
| | AVA5546EXT | 3 3/4 | 79.0 | 3PH | 3860 | 5430 | 7380 | 9660 | 12180 | 13.3 | 15.1 | 2.90 | 22.2 (7/8") | 12.7 (1/2") | I | 38.6 |
| | AVB5549EXN | 4 | 79.0 | PSC | 4540 | 6290 | 8320 | 10600 | 13140 | 20.5 | 23.3 | 3.10 | 22.2 (7/8") | 12.7 (1/2") | I | 36.8 |
| | AVB5549EXT | 4 | 79.0 | 3PH | 5090 | 6690 | 8520 | 10600 | 12940 | 13.5 | 15.0 | 3.10 | 22.2 (7/8") | 12.7 (1/2") | I | 36.8 |
| | AVB5558EXN | 5 | 91.0 | PSC | 5970 | 8140 | 10430 | 12900 | 15570 | 24.8 | 28.2 | 3.10 | 22.2 (7/8") | 12.7 (1/2") | I | 38.6 |
| | AVB5558EXT | 5 | 91.0 | 3PH | 6200 | 8080 | 10250 | 12700 | 15410 | 15.7 | 17.7 | 3.10 | 22.2 (7/8") | 12.7 (1/2") | I | 38.6 |



**SUITABLE
FOR FOOD
& OTHERS INDUSTRIES**

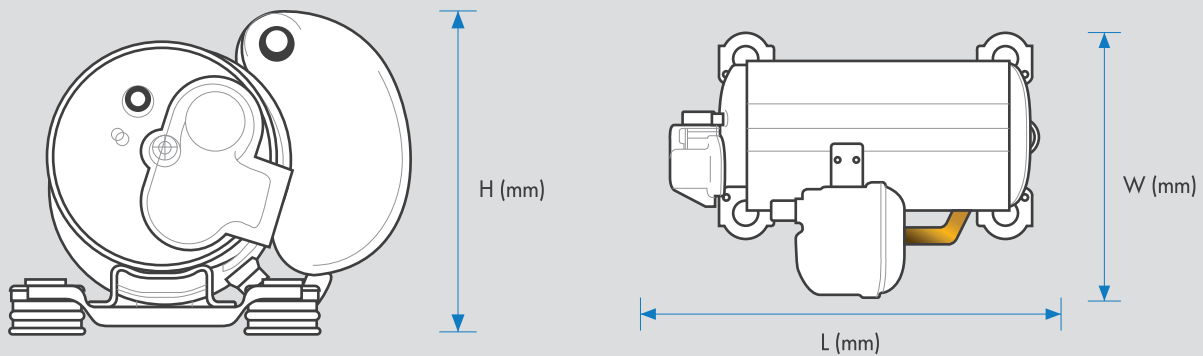
▶ 60 HZ RANGE [HG]

HG

HG Compressors for 60 Hz Range

Dimension Specification for HG

Specification drawing is for reference only, for detail information please refer to our staffs.



| DIMENSION I | | | DIMENSION II | | | DIMENSION III | | | DIMENSION IV | | |
|-------------|------------|-------------|--------------|------------|-------------|---------------|------------|-------------|--------------|------------|-------------|
| Height (mm) | Width (mm) | Length (mm) | Height (mm) | Width (mm) | Length (mm) | Height (mm) | Width (mm) | Length (mm) | Height (mm) | Width (mm) | Length (mm) |
| 163.4 | 207.6 | 267.0 | 163.4 | 207.6 | 270.7 | 163.4 | 207.6 | 280.6 | 163.4 | 207.6 | 287.1 |

| MODEL | HP | Disp. (cm ³) | Motor Type | CAPACITY (Watt) | | | | | CURRENT (A) | | COP (W/W) | DIAMETER OF CONNECTION | | DIMENSION | WEIGHT (KG) | |
|------------|------------|--------------------------|------------|-----------------|---------|---------|---------|---------|--------------|--------------|-----------|------------------------|--------------------|-------------|-------------|------|
| | | | | - 40 °C | - 35 °C | - 30 °C | - 25 °C | - 20 °C | I Nom (Amps) | I Max (Amps) | | SUCTION (mm/Inches) | LIQUID (mm/Inches) | | | |
| LBP R-404A | HGA2426Z-C | 7/10 | 9.5 | CSR | 329 | 427 | 541 | 674 | 827 | 2.3 | 3.7 | 1.12 | 9.5 (3/8") | 7.9 (5/16") | II | 11.4 |
| | HGA2426Z-A | 7/10 | 9.5 | CSR | 315 | 410 | 526 | 662 | 823 | 4.9 | 7.6 | 1.08 | 9.5 (3/8") | 7.9 (5/16") | II | 11.4 |
| | HGA2432Z-C | 3/4 | 11.5 | CSR | 403 | 516 | 652 | 814 | 1005 | 2.8 | 5.0 | 1.13 | 9.5 (3/8") | 7.9 (5/16") | III | 12.0 |
| | HGA2432Z-A | 3/4 | 11.5 | CSR | 399 | 510 | 645 | 806 | 996 | 5.9 | 9.3 | 1.09 | 9.5 (3/8") | 7.9 (5/16") | III | 12.0 |
| | HGA2436Z-C | 9/10 | 12.8 | CSR | 451 | 581 | 737 | 923 | 1142 | 3.0 | 5.6 | 1.19 | 12.7 (1/2") | 7.9 (5/16") | III | 11.4 |
| | HGA2436Z-A | 9/10 | 12.8 | CSR | 447 | 576 | 732 | 917 | 1135 | 6.4 | 11.0 | 1.11 | 12.7 (1/2") | 7.9 (5/16") | III | 11.4 |
| | | | | | - 15 °C | - 10 °C | - 5 °C | 0 °C | 5 °C | | | | | | | |
| HBP R-404A | HGA4467Z-C | 1/2 | 9.5 | CSR | 838 | 1026 | 1240 | 1484 | 1764 | 3.1 | 4.4 | 2.72 | 9.5 (3/8") | 7.9 (5/16") | III | 12.5 |
| | HGA4467Z-A | 1/2 | 9.5 | CSR | 869 | 1057 | 1268 | 1509 | 1784 | 6.5 | 9.5 | 2.64 | 9.5 (3/8") | 7.9 (5/16") | I | 12.5 |
| | HGA4480Z-C | 3/4 | 11.5 | CSR | 1001 | 1217 | 1459 | 1732 | 2041 | 3.8 | 5.1 | 2.50 | 9.5 (3/8") | 7.9 (5/16") | I | 12.6 |
| | HGA4480Z-A | 3/4 | 11.5 | CSR | 1013 | 1232 | 1481 | 1766 | 2093 | 8.0 | 11.6 | 2.57 | 9.5 (3/8") | 7.9 (5/16") | III | 12.6 |
| | HGA4492Z-C | 7/8 | 12.8 | CSR | 1176 | 1421 | 1698 | 2015 | 2378 | 4.3 | 6.0 | 2.65 | 12.7 (1/2") | 7.9 (5/16") | III | 12.7 |
| | HGA4492Z-A | 7/8 | 12.8 | CSR | 1190 | 1440 | 1752 | 2050 | 2421 | 9.0 | 14.0 | 2.65 | 12.7 (1/2") | 7.9 (5/16") | III | 12.7 |
| | HGA4512Z-C | 1 | 16.1 | CSR | 1511 | 1829 | 2179 | 2567 | 2996 | 5.9 | 8.0 | 2.48 | 12.7 (1/2") | 7.9 (5/16") | IV | 13.2 |
| | HGA4512Z-A | 1 | 16.1 | CSR | 1488 | 1805 | 2152 | 2535 | 2960 | 11.4 | 16.7 | 2.49 | 12.7 (1/2") | 7.9 (5/16") | IV | 13.3 |

| MODEL | HP | Disp. (cm ³) | Motor Type | CAPACITY (Watt) | | | | | CURRENT (A) | | COP (W/W) | DIAMETER OF CONNECTION | | DIMENSION | WEIGHT (KG) | |
|------------|------------|--------------------------|------------|-----------------|---------|--------|------|------|--------------|--------------|-----------|------------------------|--------------------|-------------|-------------|------|
| | | | | - 15 °C | - 10 °C | - 5 °C | 0 °C | 5 °C | I Nom (Amps) | I Max (Amps) | | SUCTION (mm/Inches) | LIQUID (mm/Inches) | | | |
| HBP R-134a | HGA4445Y-C | 3/8 | 9.5 | CSIR | 487 | 611 | 759 | 935 | 1145 | 2.8 | 3.9 | 2.62 | 9.5 (3/8") | 7.9 (5/16") | II | 11.0 |
| | HGA4445Y-A | 3/8 | 9.5 | CSIR | 483 | 608 | 756 | 930 | 1133 | 5.9 | 7.6 | 2.58 | 9.5 (3/8") | 7.9 (5/16") | II | 12.1 |
| | HGA4450Y-C | 3/7 | 11.5 | CSIR | 593 | 748 | 928 | 1139 | 1384 | 3.3 | 4.4 | 2.63 | 9.5 (3/8") | 7.9 (5/16") | III | 11.1 |
| | HGA4450Y-A | 3/7 | 11.5 | CSIR | 606 | 762 | 945 | 1161 | 1414 | 7.1 | 9.3 | 2.70 | 9.5 (3/8") | 7.9 (5/16") | III | 11.1 |
| | HGA4460Y-C | 1/2 | 12.8 | CSIR | 684 | 861 | 1070 | 1315 | 1602 | 3.6 | 4.5 | 2.78 | 12.7 (1/2") | 7.9 (5/16") | III | 11.9 |
| | HGA4460Y-A | 1/2 | 12.8 | CSIR | 684 | 862 | 1072 | 1321 | 1613 | 7.6 | 9.0 | 2.84 | 12.7 (1/2") | 7.9 (5/16") | III | 12.0 |
| | HGA4476Y-C | 2/3 | 16.1 | CSIR | 883 | 1113 | 1374 | 1675 | 2019 | 4.5 | 6.4 | 2.61 | 12.7 (1/2") | 7.9 (5/16") | IV | 12.5 |
| | HGA4476Y-A | 2/3 | 16.1 | CSIR | 885 | 1107 | 1368 | 1675 | 2034 | 9.7 | 14.7 | 2.64 | 12.7 (1/2") | 7.9 (5/16") | IV | 12.3 |
| AC R-22 | HGA5480E-A | 2/3 | 11.5 | CSR,PSC | - | 1215 | 1497 | 1815 | 2173 | 7.0 | 12.7 | 3.03 | 9.5 (3/8") | 7.9 (5/16") | IV | 11.6 |
| | HGA5492E-A | 3/4 | 12.8 | CSR,PSC | - | 1313 | 1626 | 1989 | 2408 | 7.6 | 13.7 | 3.16 | 12.7 (1/2") | 7.9 (5/16") | IV | 11.3 |
| | HGA5510E-A | 5/6 | 14.3 | CSR,PSC | - | 1453 | 1816 | 2228 | 2697 | 9.2 | 13.9 | 3.01 | 12.7 (1/2") | 7.9 (5/16") | IV | 11.6 |
| | HGA5512E-A | 1 | 16.1 | CSR,PSC | - | 1643 | 2045 | 2500 | 3014 | 10.4 | 16.0 | 2.95 | 12.7 (1/2") | 7.9 (5/16") | IV | 11.7 |



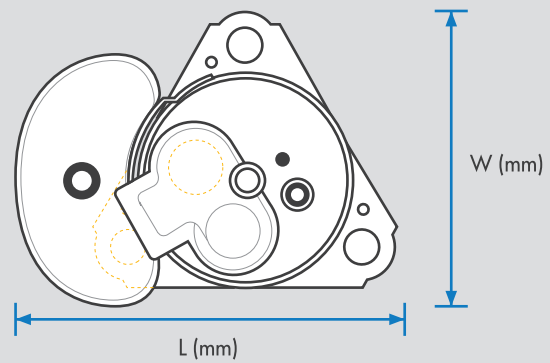
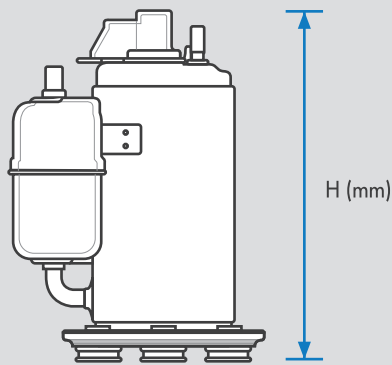
**SUITABLE
FOR
FOOD INDUSTRY**

▶ 60 HZ RANGE [RG]

RG

RG Compressors for 60 Hz Range

Dimension Specification for RG



| DIMENSION I | | | DIMENSION II | | |
|-------------|------------|-------------|--------------|------------|-------------|
| Height (mm) | Width (mm) | Length (mm) | Height (mm) | Width (mm) | Length (mm) |
| 276.0 | 197.0 | 197.0 | 280.0 | 197.0 | 197.0 |

| MODEL | HP | Disp. (cm ³) | Motor Type | CAPACITY (Watt) | | | | | CURRENT (A) | | COP (W/W) | DIAMETER OF CONNECTION | | DIMENSION | WEIGHT (KG) | |
|------------|------------|--------------------------|------------|-----------------|---------|--------|------|------|--------------|--------------|-----------|------------------------|--------------------|-------------|-------------|------|
| | | | | - 15 °C | - 10 °C | - 5 °C | 0 °C | 5 °C | I Nom (Amps) | I Max (Amps) | | SUCTION (mm/Inches) | LIQUID (mm/Inches) | | | |
| HBP R-134a | RGA4450Y-C | 3/7 | 11.5 | CSIR | 593 | 748 | 928 | 1139 | 1384 | 3.3 | 4.4 | 2.63 | 9.5 (3/8") | 7.9 (5/16") | I | 11.1 |
| | RGA4450Y-A | 3/7 | 11.5 | CSIR | 606 | 762 | 945 | 1161 | 1414 | 7.1 | 9.3 | 2.70 | 9.5 (3/8") | 7.9 (5/16") | I | 11.1 |
| AC R-22 | RGA5480E-A | 2/3 | 11.5 | PSC,CSR | - | 1215 | 1497 | 1815 | 2173 | 7.0 | 12.7 | 3.03 | 9.5 (3/8") | 7.9 (5/16") | II | 11.4 |
| | RGA5492E-A | 3/4 | 12.8 | PSC,CSR | - | 1313 | 1626 | 1989 | 2408 | 7.6 | 13.7 | 3.16 | 12.7 (1/2") | 7.9 (5/16") | II | 11.2 |
| | RGA5510E-A | 5/6 | 14.3 | PSC,CSR | - | 1453 | 1816 | 2228 | 2697 | 9.2 | 13.9 | 3.01 | 12.7 (1/2") | 7.9 (5/16") | II | 11.4 |
| | RGA5512E-A | 1 | 16.1 | PSC,CSR | - | 1643 | 2045 | 2500 | 3014 | 10.4 | 16.0 | 2.95 | 12.7 (1/2") | 7.9 (5/16") | II | 11.6 |
| AC R-407C | RGA5480C-A | 2/3 | 11.5 | PSC,CSR | - | 1075 | 1344 | 1658 | 2023 | 6.9 | 11.3 | 2.92 | 9.5 (3/8") | 7.9 (5/16") | II | 11.4 |
| | RGA5492C-A | 3/4 | 12.8 | PSC,CSR | - | 1218 | 1525 | 1888 | 2315 | 7.6 | 13.3 | 3.00 | 12.7 (1/2") | 7.9 (5/16") | II | 11.3 |
| | RGA5510C-A | 5/6 | 13.3 | PSC,CSR | - | 1354 | 1689 | 2080 | 2535 | 9.2 | 15.0 | 2.78 | 12.7 (1/2") | 7.9 (5/16") | II | 11.6 |
| | RGA5512C-A | 1 | 16.1 | PSC,CSR | - | 1532 | 1916 | 2384 | 2930 | 10.2 | 16.2 | 2.86 | 12.7 (1/2") | 7.9 (5/16") | II | 11.6 |

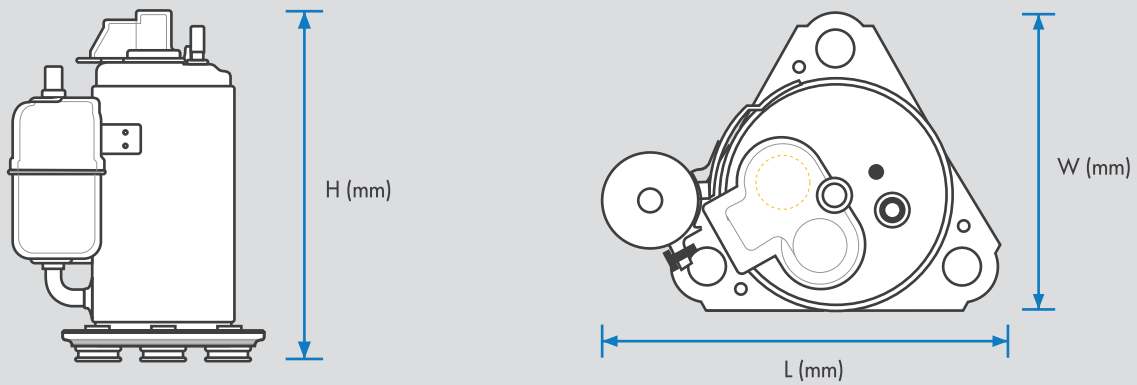
▶ 60 HZ RANGE [RK]

RK

RK Compressors for 60 Hz Range


Dimension Specification for RK

Specification drawing is for reference only, for detail information please refer to our staffs.



| DIMENSION I | | | DIMENSION II | | |
|-------------|------------|-------------|--------------|------------|-------------|
| Height (mm) | Width (mm) | Length (mm) | Height (mm) | Width (mm) | Length (mm) |
| 290.0 | 197.0 | 197.0 | 312.0 | 197.0 | 197.0 |

| MODEL | HP | Disp. (cm ³) | Motor Type | CAPACITY (Watt) | | | | | CURRENT (A) | | COP (W/W) | DIAMETER OF CONNECTION | | DIMENSION | WEIGHT (KG) | |
|-----------|----------|--------------------------|------------|------------------|---------|--------|------|------|--------------|--------------|-----------|------------------------|--------------------|-------------|-------------|------|
| | | | | - 15 °C | - 10 °C | - 5 °C | 0 °C | 5 °C | I Nom (Amps) | I Max (Amps) | | SUCTION (mm/Inches) | LIQUID (mm/Inches) | | | |
| AC R-22 | RK5513E | 1 1/8 | 18.1 | PTCSCR, CSR, PSC | 1846 | 2221 | 2671 | 3194 | 3792 | 5.5 | 9.6 | 3.07 | 12.7 (1/2") | 7.9 (5/16") | II | 13.2 |
| | TRK5513E | 1 1/8 | 18.1 | TRI | 1852 | 2224 | 2671 | 3194 | 3792 | 3.7 | 5.8 | 3.10 | 12.7 (1/2") | 7.9 (5/16") | II | 12.7 |
| | RK5515E | 1 1/4 | 21.4 | PTCSCR, CSR, PSC | 2104 | 2549 | 3082 | 3704 | 4413 | 6.3 | 10.9 | 3.18 | 15.9 (5/8") | 7.9 (5/16") | II | 13.8 |
| | TRK5515E | 1 1/4 | 21.4 | TRI | 2109 | 2552 | 3083 | 3703 | 4412 | 4.3 | 7.6 | 3.12 | 15.9 (5/8") | 7.9 (5/16") | II | 13.5 |
| | RK5518E | 1 1/2 | 24.4 | PTCSCR, PSC | 2404 | 2967 | 3612 | 4342 | 5154 | 7.4 | 12.7 | 3.11 | 15.9 (5/8") | 7.9 (5/16") | II | 14.0 |
| | TRK5518E | 1 1/2 | 24.4 | TRI | 2407 | 2968 | 3612 | 4341 | 5155 | 4.7 | 7.8 | 3.05 | 15.9 (5/8") | 7.9 (5/16") | II | 13.6 |
| AC R-134a | RK5480Y | 2/3 | 18.1 | CSR, PSC | 1241 | 1483 | 1797 | 2182 | 2638 | 3.6 | 7.1 | 3.14 | 12.7 (1/2") | 7.9 (5/16") | I | 11.9 |
| | RK5512Y | 1 | 24.4 | PTCSCR, CSR, PSC | 1506 | 1873 | 2310 | 2816 | 3392 | 5.0 | 8.1 | 3.03 | 15.9 (5/8") | 7.9 (5/16") | II | 13.5 |
| AC R-407C | TRK5518C | 1 1/2 | 24.4 | TRI | 2091 | 2643 | 3293 | 4054 | 4939 | 4.7 | 7.8 | 2.81 | 15.9 (5/8") | 7.9 (5/16") | II | 13.6 |



MANUFACTURING WORKFLOW

HOW WE DO IT

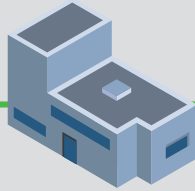
TAKING ORDERS

As soon as we receive order from our clients.



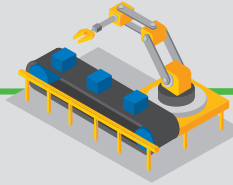
PROCESSING

We proceed with the order at our Malaysia's branch at Port Klang.



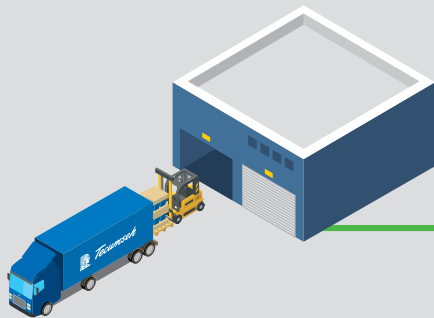
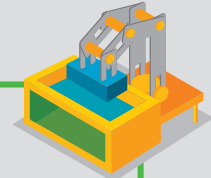
PRODUCTION

We manufacture and assemble regarding to our client's need.



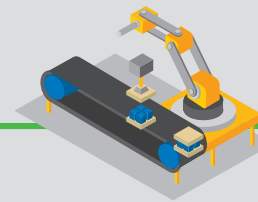
LEAK TESTING

After assembling the required components, Our product will go through leak testing to ensure safety.



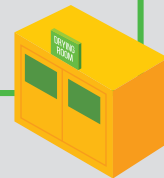
DELIVERY

We then deliver to our clients locally or overseas.



TEST & PACK

Our product is then tested by our professional technicians before packing it up.



AIR DRYING

Products will be dry in our drying room before installing electrical components.



OUR COVERAGE

China, East Asia, South East Asia and Oceania.



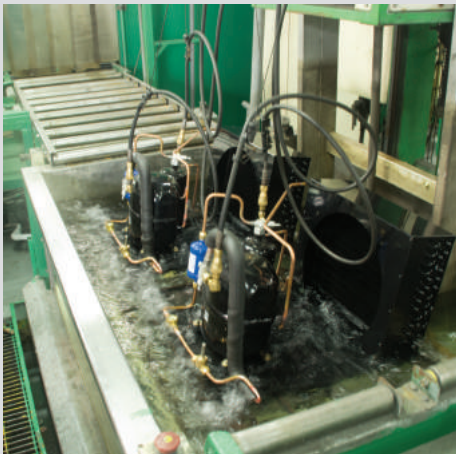
PREPARING PARTS



ASSEMBLE



BRAZING



LEAK TEST



WIRING



ELECTRICAL TEST



PACKING



LABELING



PACK FOR EXPORT



**CONDENSING
UNIT**

50HZ

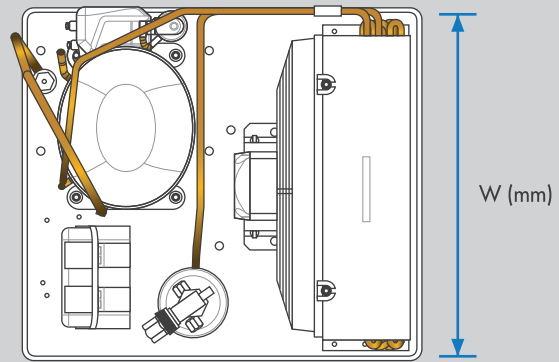
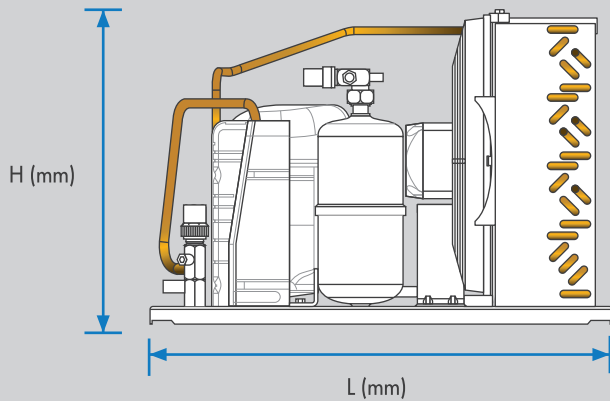
▶ 50 HZ RANGE [AE²]



AE² Condensing Unit for 50 Hz Range

Dimension Specification for AE²

Specification drawing is for reference only, for detail information please refer to our staffs.



| DIMENSION I | | | DIMENSION II | | | DIMENSION III | | |
|-------------|------------|-------------|--------------|------------|-------------|---------------|------------|-------------|
| Height (mm) | Width (mm) | Length (mm) | Height (mm) | Width (mm) | Length (mm) | Height (mm) | Width (mm) | Length (mm) |
| 237.0 | 300.0 | 350.0 | 298.0 | 330.0 | 485.0 | 338.0 | 425.0 | 480.0 |

| MODEL | HP | Disp. (cm ³) | Motor Type | CAPACITY (Watt) | | | | | CURRENT (A) | | COP (W/W) | DIAMETER OF CONNECTION | | DIMENSION | WEIGHT (KG) | |
|------------|--------------|--------------------------|------------|-----------------|---------|---------|---------|---------|--------------|--------------|-----------|------------------------|--------------------|-------------|-------------|------|
| | | | | - 40 °C | - 35 °C | - 30 °C | - 25 °C | - 20 °C | I Nom (Amps) | I Max (Amps) | | SUCTION (mm/Inches) | LIQUID (mm/Inches) | | | |
| LBP R-404A | AE2410ZBR-FZ | 1/4 | 5.02 | CSIR | 92 | 132 | 178 | 229 | 285 | 1.6 | 2.7 | 0.75 | 9.50 (3/8") | 6.35 (1/4") | I | 18.8 |
| | AE2415ZBR-FZ | 3/8 | 7.33 | CSIR | 150 | 200 | 255 | 316 | 382 | 2.1 | 3.2 | 0.82 | 9.50 (3/8") | 6.35 (1/4") | I | 19.4 |
| | AE2420ZBR-FZ | 1/2 | 9.35 | CSIR | 192 | 259 | 335 | 420 | 513 | 2.5 | 4.6 | 0.89 | 9.50 (3/8") | 6.35 (1/4") | I | 20.7 |
| | AE2425ZBR-FZ | 5/8 | 12.01 | CSIR | 256 | 344 | 443 | 553 | 671 | 2.9 | 4.8 | 0.84 | 9.50 (3/8") | 6.35 (1/4") | II | 25.5 |
| LBP R-290 | AE2410UB-FZ | 1/4 | 5.48 | CSIR | 84 | 123 | 168 | 221 | 280 | 1.7 | 3.5 | 0.72 | 9.50 (3/8") | 6.35 (1/4") | I | 17.0 |
| | AE2415UB-FZ | 3/8 | 8.85 | CSIR | 132 | 191 | 257 | 329 | 407 | 2.1 | 3.1 | 0.85 | 9.50 (3/8") | 6.35 (1/4") | I | 17.0 |
| | AE2420UB-FZ | 1/2 | 10.96 | CSIR | 216 | 283 | 360 | 446 | 541 | 2.5 | 3.9 | 0.97 | 9.50 (3/8") | 6.35 (1/4") | I | 17.1 |
| | | | | - 15 °C | - 10 °C | - 5 °C | 0 °C | 5 °C | | | | | | | | |
| HBP R-404A | AE4425ZHR-FZ | 1/5 | 4.24 | CSIR | 278 | 336 | 398 | 464 | 534 | 2.0 | 3.0 | 1.71 | 9.50 (3/8") | 6.35 (1/4") | I | 19.1 |
| | AE4430ZHR-FZ | 1/4 | 5.16 | CSIR | 359 | 437 | 521 | 610 | 703 | 2.3 | 3.1 | 1.96 | 9.50 (3/8") | 6.35 (1/4") | I | 19.3 |
| | AE4440ZHR-FZ | 1/3 | 6.69 | CSIR | 491 | 596 | 709 | 831 | 959 | 3.3 | 4.3 | 1.87 | 9.50 (3/8") | 6.35 (1/4") | II | 23.9 |
| | AE4450ZHR-FZ | 3/8 | 8.85 | CSIR | 624 | 746 | 874 | 1005 | 1139 | 4.0 | 5.7 | 1.66 | 9.50 (3/8") | 6.35 (1/4") | II | 24.9 |
| | AE4460ZHR-FZ | 1/2 | 10.33 | CSIR | 698 | 808 | 922 | 1038 | 1156 | 4.9 | 6.5 | 1.38 | 9.50 (3/8") | 6.35 (1/4") | II | 24.8 |
| | AE4470ZHR-FZ | 5/8 | 12.10 | CSR | 941 | 1118 | 1308 | 1510 | 1724 | 4.3 | 5.9 | 2.02 | 9.50 (3/8") | 6.35 (1/4") | III | 27.6 |

| MODEL | HP | Disp. (cm ³) | Motor Type | CAPACITY (Watt) | | | | | CURRENT (A) | | COP (W/W) | DIAMETER OF CONNECTION | | DIMENSION | WEIGHT (KG) | |
|------------|--------------|--------------------------|------------|-----------------|---------|--------|------|------|--------------|--------------|-----------|------------------------|--------------------|-------------|-------------|------|
| | | | | - 15 °C | - 10 °C | - 5 °C | 0 °C | 5 °C | I Nom (Amps) | I Max (Amps) | | SUCTION (mm/Inches) | LIQUID (mm/Inches) | | | |
| HBP R-134A | AE4425YHR-FZ | 1/5 | 6.69 | CSIR | 231 | 300 | 375 | 453 | 534 | 1.8 | 2.6 | 1.79 | 9.50 (3/8") | 6.35 (1/4") | I | 17.7 |
| | AE4430YHR-FZ | 1/4 | 8.02 | CSIR | 324 | 410 | 506 | 612 | 727 | 2.4 | 2.8 | 2.14 | 9.50 (3/8") | 6.35 (1/4") | I | 15.2 |
| | AE4440YHR-FZ | 1/3 | 10.33 | CSIR | 422 | 519 | 626 | 742 | 866 | 2.8 | 3.4 | 1.88 | 9.50 (3/8") | 6.35 (1/4") | I | 17.3 |
| | AE4450YHR-FZ | 3/8 | 13.24 | CSIR | 562 | 692 | 835 | 990 | 1155 | 3.7 | 5.2 | 1.85 | 9.50 (3/8") | 6.35 (1/4") | II | 25.0 |
| | AE4456YHR-FZ | 1/2 | 14.51 | CSIR | 622 | 767 | 926 | 1099 | 1284 | 4.2 | 8.6 | 1.85 | 9.50 (3/8") | 6.35 (1/4") | II | 25.8 |
| | AE4460YHR-FZ | 1/2 | 15.09 | CSIR | 642 | 794 | 960 | 1140 | 1332 | 3.6 | 5.3 | 1.98 | 9.50 (3/8") | 6.35 (1/4") | II | 25.4 |
| HBP R-290 | AE4425UH-FZ | 1/5 | 5.02 | CSIR | 295 | 359 | 429 | 504 | 584 | 1.8 | 2.4 | 2.06 | 9.50 (3/8") | 6.35 (1/4") | I | 17.0 |
| | AE4430UH-FZ | 1/4 | 6.12 | CSIR | 363 | 447 | 540 | 642 | 749 | 2.1 | 2.8 | 2.43 | 9.50 (3/8") | 6.35 (1/4") | I | 17.2 |
| | AE4440UH-FZ | 1/3 | 8.02 | CSIR | 483 | 580 | 684 | 794 | 911 | 3.0 | 3.9 | 1.92 | 9.50 (3/8") | 6.35 (1/4") | II | 18.9 |
| | AE4450UH-FZ | 3/8 | 10.33 | CSIR | 628 | 744 | 868 | 1000 | 1141 | 3.6 | 5.0 | 1.81 | 9.50 (3/8") | 6.35 (1/4") | II | 19.2 |
| | AE4460UH-FZ | 1/2 | 12.01 | CSIR | 653 | 789 | 933 | 1084 | 1245 | 4.2 | 5.7 | 1.70 | 9.50 (3/8") | 6.35 (1/4") | II | 19.2 |



**SUITABLE
FOR FROZEN FOOD
& OTHERS INDUSTRIES**

▶ 50 HZ RANGE [AJ²]

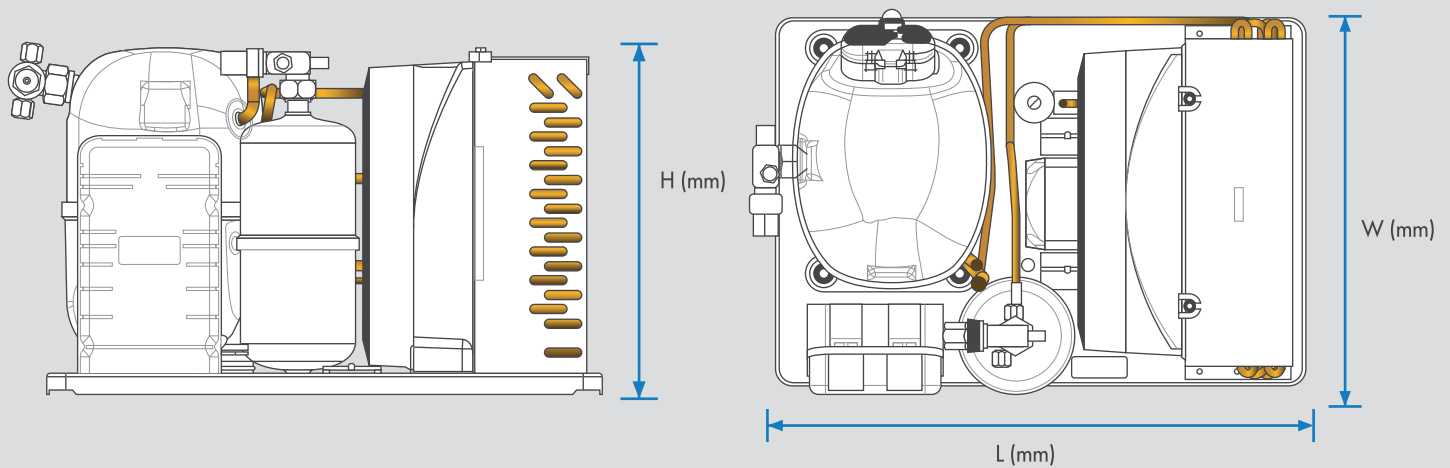


AJ² Condensing Unit for 50 Hz Range



Dimension Specification for AJ²

Specification drawing is for reference only, for detail information please refer to our staffs.



| DIMENSION I | | | DIMENSION II | | | DIMENSION III | | |
|-------------|------------|-------------|--------------|------------|-------------|---------------|------------|-------------|
| Height (mm) | Width (mm) | Length (mm) | Height (mm) | Width (mm) | Length (mm) | Height (mm) | Width (mm) | Length (mm) |
| 300.0 | 343.0 | 510.0 | 340.0 | 430.0 | 490.0 | 445.0 | 512.0 | 607.0 |

| MODEL | HP | Disp. (cm ³) | Motor Type | CAPACITY (Watt) | | | | | CURRENT (A) | | COP (w/w) | DIAMETER OF CONNECTION | | DIMENSION | WEIGHT (KG) | |
|------------|---------------|--------------------------|------------|-----------------|---------|---------|---------|---------|--------------|--------------|-----------|------------------------|--------------------|-------------|-------------|------|
| | | | | - 40 °C | - 35 °C | - 30 °C | - 25 °C | - 20 °C | I Nom (Amps) | I Max (Amps) | | SUCTION (mm/Inches) | LIQUID (mm/Inches) | | | |
| LBP R-404A | CAJ2428ZBR-FZ | 7/10 | 15.2 | CSIR | 235 | 330 | 440 | 564 | 699 | 3.9 | 5.7 | 0.72 | 12.70 (1/2") | 6.35 (1/4") | I | 32.0 |
| | TAJ2428ZBR-TZ | 7/10 | 15.2 | TRI | 244 | 339 | 448 | 570 | 703 | 1.5 | 2.5 | 0.78 | 12.70 (1/2") | 6.35 (1/4") | I | 31.0 |
| | CAJ2432ZBR-FZ | 3/4 | 18.3 | CSR | 274 | 388 | 516 | 656 | 801 | 3.0 | 6.5 | 0.77 | 12.70 (1/2") | 6.35 (1/4") | I | 32.0 |
| | CAJ2440ZBR-FZ | 1 | 21.0 | CSR | 347 | 475 | 621 | 782 | 953 | 3.6 | 6.3 | 0.80 | 12.70 (1/2") | 9.50 (3/8") | I | 32.0 |
| | CAJ2446ZBR-FZ | 1 | 26.2 | CSR | 509 | 694 | 901 | 1127 | 1368 | 4.6 | 8.8 | 1.00 | 12.70 (1/2") | 9.50 (3/8") | II | 35.0 |
| | TAJ2446ZBR-TZ | 1 | 26.2 | TRI | 487 | 662 | 860 | 1079 | 1317 | 1.9 | 3.3 | 1.00 | 12.70 (1/2") | 9.50 (3/8") | II | 38.0 |
| | CAJ2464ZBR-FZ | 1 1/2 | 34.5 | CSR | 659 | 876 | 1120 | 1386 | 1667 | 6.3 | 10.6 | 0.94 | 15.90 (5/8") | 9.50 (3/8") | II | 37.0 |
| | TAJ2464ZBR-TZ | 1 1/2 | 34.5 | TRI | 650 | 867 | 1111 | 1378 | 1663 | 2.6 | 3.7 | 1.06 | 15.90 (5/8") | 9.50 (3/8") | II | 41.0 |

| MODEL | HP | Disp. (cm ³) | Motor Type | CAPACITY (Watt) | | | | | CURRENT (A) | | COP (W/W) | DIAMETER OF CONNECTION | | DIMENSION | WEIGHT (KG) | |
|------------|----------------|--------------------------|------------|-----------------|---------|--------|------|------|--------------|--------------|-----------|------------------------|--------------------|-------------|-------------|------|
| | | | | - 15 °C | - 10 °C | - 5 °C | 0 °C | 5 °C | I Nom (Amps) | I Max (Amps) | | SUCTION (mm/Inches) | LIQUID (mm/Inches) | | | |
| HBP R-404A | CAJ9480ZMHR-FZ | 2/3 | 15.20 | CSR | 1038 | 1250 | 1477 | 1717 | 1966 | 4.9 | 7.3 | 2.02 | 12.70 (1/2") | 9.50 (3/8") | II | 33.0 |
| | TAJ9480ZMHR-TZ | 2/3 | 15.20 | TRI | 1048 | 1261 | 1489 | 1729 | 1977 | 2.2 | 3.4 | 2.01 | 12.70 (1/2") | 9.50 (3/8") | II | 34.0 |
| | CAJ9510ZMHR-FZ | 1 | 18.30 | CSR | 1267 | 1516 | 1782 | 2061 | 2352 | 6.0 | 9.0 | 1.94 | 15.90 (5/8") | 9.50 (3/8") | II | 37.0 |
| | TAJ9510ZMHR-TZ | 1 | 18.30 | TRI | 1285 | 1531 | 1791 | 2062 | 2338 | 2.5 | 3.3 | 1.88 | 15.90 (5/8") | 9.50 (3/8") | II | 36.0 |
| | CAJ9513ZMHR-FZ | 1 1/8 | 24.20 | CSR | 1510 | 1815 | 2125 | 2432 | 2725 | 7.3 | 11.9 | 1.88 | 15.90 (5/8") | 9.50 (3/8") | II | 40.0 |
| | TAJ9513ZMHR-TZ | 1 1/8 | 24.20 | TRI | 1455 | 1747 | 2048 | 2349 | 2645 | 3.2 | 4.3 | 1.81 | 15.90 (5/8") | 9.50 (3/8") | II | 38.0 |
| | CAJ4517ZHR-FZ | 1 1/2 | 25.95 | CSR | 1814 | 2166 | 2542 | 2938 | 3352 | 7.9 | 13.3 | 2.07 | 15.90 (5/8") | 9.50 (3/8") | III | 48.0 |
| | TAJ4517ZHR-TZ | 1 1/2 | 25.95 | TRI | 1795 | 2166 | 2557 | 2964 | 3384 | 3.4 | 4.4 | 1.98 | 15.90 (5/8") | 9.50 (3/8") | III | 43.0 |
| | CAJ4519ZHR-FZ | 1 3/5 | 34.50 | CSR | 2303 | 2770 | 3255 | 3750 | 4247 | 10.6 | 15.9 | 1.92 | 15.90 (5/8") | 9.50 (3/8") | III | 48.0 |
| | TAJ4519ZHR-TZ | 1 3/5 | 34.50 | TRI | 2314 | 2752 | 3205 | 3667 | 4131 | 4.4 | 5.2 | 1.90 | 15.90 (5/8") | 9.50 (3/8") | III | 45.0 |
| HBP R-22 | CAJ9480TMHR-FZ | 2/3 | 15.20 | CSR | 911 | 1113 | 1337 | 1584 | 1852 | 4.5 | 4.8 | 2.07 | 12.70 (1/2") | 9.50 (3/8") | II | 33.0 |
| | TAJ9480TMHR-TZ | 2/3 | 15.20 | TRI | 1048 | 1261 | 1489 | 1729 | 1977 | 2.3 | 3.4 | 2.12 | 12.70 (1/2") | 9.50 (3/8") | II | 34.0 |
| | CAJ9510TMHR-FZ | 1 | 18.30 | CSR | 1125 | 1367 | 1637 | 1932 | 2252 | 5.4 | 5.6 | 2.06 | 15.90 (5/8") | 9.50 (3/8") | II | 35.0 |
| | TAJ9510TMHR-TZ | 1 | 18.30 | TRI | 1285 | 1531 | 1791 | 2062 | 2338 | 2.5 | 3.3 | 2.07 | 15.90 (5/8") | 9.50 (3/8") | II | 36.0 |
| | CAJ9513TMHR-FZ | 1 1/8 | 24.20 | CSR | 1463 | 1783 | 2129 | 2495 | 2873 | 6.6 | 6.8 | 2.16 | 15.90 (5/8") | 9.50 (3/8") | II | 38.0 |
| | TAJ9513TMHR-TZ | 1 1/8 | 24.20 | TRI | 1455 | 1747 | 2048 | 2349 | 2645 | 2.7 | 4.1 | 2.14 | 15.90 (5/8") | 9.50 (3/8") | II | 38.0 |
| | CAJ4517THR-FZ | 1 1/2 | 25.95 | CSR | 1732 | 2165 | 2615 | 3074 | 3534 | 6.8 | 10.7 | 2.49 | 15.90 (5/8") | 9.50 (3/8") | III | 43.0 |
| | TAJ4517THR-TZ | 1 1/2 | 25.95 | TRI | 1732 | 2165 | 2615 | 3074 | 3534 | 3.2 | 4.2 | 2.42 | 15.90 (5/8") | 9.50 (3/8") | III | 41.0 |
| | TAJ4519THR-TZ | 1 3/5 | 34.50 | TRI | 2474 | 2943 | 3449 | 3980 | 4522 | 4.2 | 4.9 | 2.40 | 15.90 (5/8") | 9.50 (3/8") | III | 44.0 |
| HBP R-134a | CAJ4452YHR-FZ | 2/5 | 34.50 | CSIR | 493 | 628 | 775 | 931 | 1094 | 4.1 | 6.1 | 1.72 | 12.70 (1/2") | 6.35 (1/4") | I | 31.0 |
| | CAJ4461YHR-FZ | 1/2 | 15.20 | CSIR | 595 | 739 | 896 | 1062 | 1235 | 4.6 | 6.5 | 1.57 | 12.70 (1/2") | 6.38 (1/4") | I | 33.0 |
| | TAJ4461YHR-TZ | 1/2 | 18.30 | TRI | 617 | 765 | 927 | 1101 | 1283 | 1.7 | 2.6 | 1.82 | 12.70 (1/2") | 6.35 (1/4") | I | 30.0 |
| | CAJ4476YHR-FZ | 2/3 | 18.30 | CSIR | 753 | 965 | 1200 | 1457 | 1733 | 5.3 | 7.5 | 2.04 | 12.70 (1/2") | 9.50 (3/8") | II | 31.0 |
| | CAJ4492YHR-FZ | 3/4 | 25.95 | CSIR | 953 | 1211 | 1495 | 1804 | 2134 | 6.3 | 9.5 | 2.12 | 12.70 (1/2") | 9.50 (3/8") | II | 34.0 |
| | TAJ4492YHR-TZ | 3/4 | 25.95 | TRI | 917 | 1202 | 1509 | 1836 | 2179 | 2.1 | 3.2 | 2.61 | 12.70 (1/2") | 9.50 (3/8") | II | 33.0 |
| | CAJ4511YHR-FZ | 1 | 32.70 | CSR | 1218 | 1519 | 1843 | 2184 | 2536 | 5.7 | 9.2 | 2.09 | 15.90 (5/8") | 9.50 (3/8") | II | 35.0 |
| | TAJ4511YHR-TZ | 1 | 32.70 | TRI | 1198 | 1497 | 1817 | 2154 | 2504 | 2.8 | 3.7 | 2.05 | 15.90 (5/8") | 9.50 (3/8") | II | 33.0 |

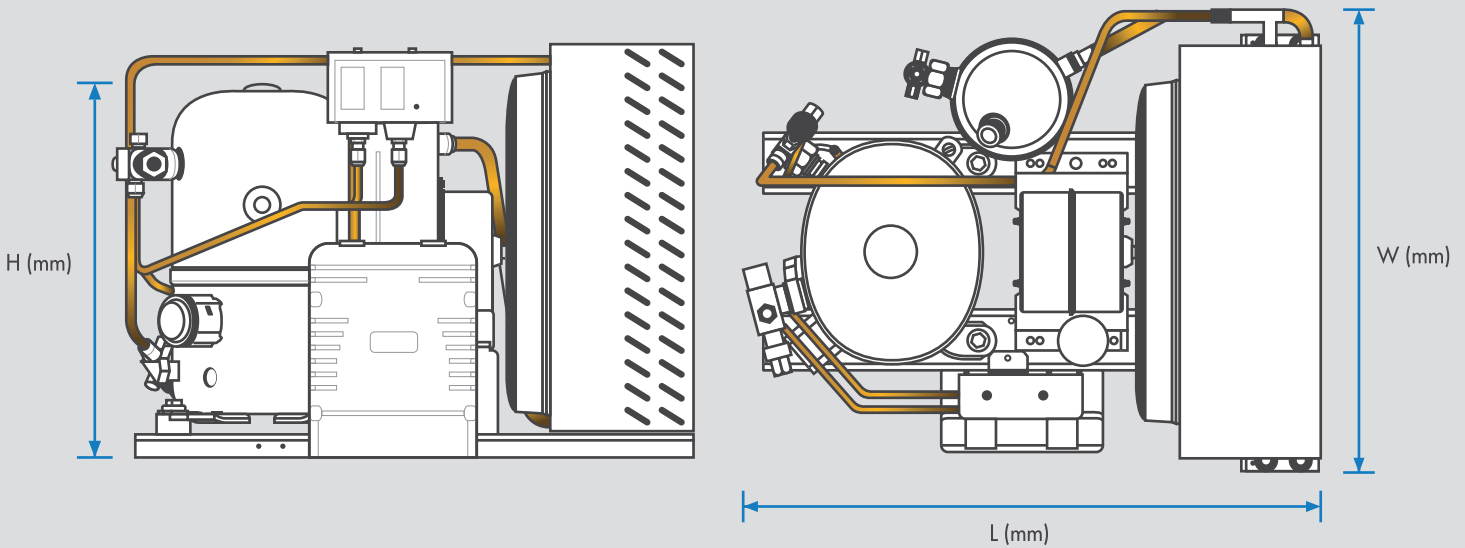
▶ 50 HZ RANGE [FH]



FH Condensing Unit for 50 Hz Range

Dimension Specification for FH

Specification drawing is for reference only, for detail information please refer to our staffs.



| DIMENSION I | | | DIMENSION II | | | DIMENSION III | | |
|-------------|------------|-------------|--------------|------------|-------------|---------------|------------|-------------|
| Height (mm) | Width (mm) | Length (mm) | Height (mm) | Width (mm) | Length (mm) | Height (mm) | Width (mm) | Length (mm) |
| 450.0 | 512.0 | 630.0 | 469.0 | 1002.0 | 618.0 | 469.0 | 1002.0 | 642.0 |

| MODEL | HP | Disp. (cm ³) | Motor Type | CAPACITY (Watt) | | | | | CURRENT (A) | | COP (W/W) | DIAMETER OF CONNECTION | | DIMENSION | WEIGHT (KG) | |
|------------|---------------|--------------------------|------------|-----------------|--------|--------|--------|--------|--------------|--------------|-----------|------------------------|--------------------|------------|-------------|------|
| | | | | -40 °C | -35 °C | -30 °C | -25 °C | -20 °C | I Nom (Amps) | I Max (Amps) | | SUCTION (mm/Inches) | LIQUID (mm/Inches) | | | |
| LBP R-404A | FH2480ZBR-FZ | 2 | 53.20 | CSR | 852 | 1233 | 1628 | 2086 | 2519 | 8.40 | 20.10 | 0.84 | 15.9 (5/8") | 9.5 (3/8") | I | 57.0 |
| | TFH2480ZBR-TZ | 2 | 53.20 | TRI | 824 | 1226 | 1641 | 2069 | 2509 | 3.20 | 5.20 | 1.10 | 15.9 (5/8") | 9.5 (3/8") | I | 53.0 |
| | FH2511ZBR-FZ | 2 3/4 | 74.20 | CSR | 1086 | 1560 | 2086 | 2656 | 3260 | 12.20 | 24.70 | 0.90 | 15.9 (5/8") | 9.5 (3/8") | I | 58.0 |
| | TFH2511ZBR-TZ | 2 3/4 | 74.20 | TRI | 1083 | 1519 | 2019 | 2577 | 3184 | 4.10 | 5.40 | 1.03 | 15.9 (5/8") | 9.5 (3/8") | I | 54.0 |

| MODEL | HP | Disp. (cm ³) | Motor Type | CAPACITY (Watt) | | | | | CURRENT (A) | | COP (W/W) | DIAMETER OF CONNECTION | | DIMENSION | WEIGHT (KG) | |
|------------|---------------|--------------------------|------------|-----------------|---------|--------|------|------|--------------|--------------|-----------|------------------------|--------------------|-------------|-------------|------|
| | | | | - 15 °C | - 10 °C | - 5 °C | 0 °C | 5 °C | I Nom (Amps) | I Max (Amps) | | SUCTION (mm/Inches) | LIQUID (mm/Inches) | | | |
| HBP R-404A | FH4522ZHR-FZ | 1 4/5 | 39.9 | CSR | 2370 | 2917 | 3478 | 4052 | 4641 | 10.80 | 16.90 | 1.96 | 15.9 (5/8") | 9.5 (3/8") | I | 54.0 |
| | TFH4522ZHR-TZ | 1 4/5 | 39.9 | TRI | 2147 | 2644 | 3166 | 3706 | 4260 | 4.30 | 5.80 | 1.93 | 15.9 (5/8") | 9.5 (3/8") | I | 52.0 |
| | FH4524ZHR-FZ | 2 | 43.5 | CSR | 2442 | 2986 | 3546 | 4114 | 4684 | 11.50 | 18.90 | 1.85 | 15.9 (5/8") | 9.5 (3/8") | I | 57.0 |
| | TFH4524ZHR-TZ | 2 | 43.5 | TRI | 2457 | 3009 | 3579 | 4155 | 4724 | 4.70 | 6.70 | 1.90 | 15.9 (5/8") | 9.5 (3/8") | I | 53.0 |
| | FH4531ZHR-FZ | 2 3/5 | 56.6 | CSR | 3449 | 4334 | 5221 | 6117 | 7032 | 15.60 | 27.80 | 2.19 | 22.2 (7/8") | 12.7 (1/2") | II | 80.0 |
| | TFH4531ZHR-TZ | 2 3/5 | 56.6 | TRI | 3461 | 4226 | 5044 | 5912 | 6828 | 6.10 | 9.00 | 2.18 | 22.2 (7/8") | 12.7 (1/2") | II | 75.0 |
| | FH4540ZHR-FZ | 3 2/7 | 74.2 | CSR | 4336 | 5316 | 6339 | 7384 | 8427 | 20.90 | 28.50 | 2.03 | 22.2 (7/8") | 12.7 (1/2") | III | 92.0 |
| | TFH4540ZHR-TZ | 3 2/7 | 74.2 | TRI | 4523 | 5477 | 6481 | 7524 | 8596 | 8.30 | 10.00 | 2.09 | 22.2 (7/8") | 12.7 (1/2") | III | 89.0 |
| HBR R-22 | FH4522FHR | 1 4/5 | 39.95 | CSR | 2213 | 2737 | 3317 | 3950 | 4637 | 9.50 | 13.00 | 2.25 | 15.9 (5/8") | 9.5 (3/8") | I | 54.0 |
| | TFH4522FHR | 1 4/5 | 39.95 | TRI | 2213 | 2737 | 3317 | 3950 | 4637 | 4.30 | 5.80 | 2.32 | 15.9 (5/8") | 9.5 (3/8") | I | 52.0 |
| | FH4524FHR | 2 | 43.50 | CSR | 2267 | 2864 | 3476 | 4156 | 4886 | 11.50 | 18.90 | 2.21 | 15.9 (5/8") | 9.5 (3/8") | I | 56.0 |
| | TFH4524FHR | 2 | 43.50 | TRI | 2267 | 2864 | 3476 | 4156 | 4886 | 4.70 | 52.60 | 2.16 | 15.9 (5/8") | 9.5 (3/8") | I | 52.0 |
| | FH4531FHR | 2 3/5 | 56.65 | CSR | 3510 | 4286 | 5127 | 6031 | 6999 | 15.60 | 27.80 | 2.37 | 22.2 (7/8") | 12.7 (1/2") | II | 80.0 |
| | TFH4531FHR | 2 3/5 | 56.65 | TRI | 3510 | 4286 | 5126 | 6031 | 6999 | 6.10 | 9.00 | 2.38 | 22.2 (7/8") | 12.7 (1/2") | II | 75.0 |
| | TFH4540FHR | 2 2/7 | 74.25 | TRI | 4055 | 5046 | 6111 | 7248 | 8458 | 8.30 | 10.00 | 2.16 | 22.2 (7/8") | 12.7 (1/2") | III | 89.0 |
| HBR R-134a | FH4518YHR-FZ | 1 1/2 | 53.2 | CSR | 1768 | 2267 | 2818 | 3422 | 4076 | 8.50 | 12.00 | 2.17 | 15.9 (5/8") | 9.5 (3/8") | I | 51.0 |
| | TFH4518YHR-TZ | 1 1/2 | 53.2 | TRI | 1729 | 2214 | 2760 | 3367 | 4034 | 4.10 | 4.90 | 2.26 | 15.9 (5/8") | 9.5 (3/8") | I | 51.0 |
| | FH4525YHR-FZ | 2 | 74.25 | CSR | 2206 | 2831 | 3507 | 4232 | 5005 | 11.40 | 16.10 | 2.14 | 15.9 (5/8") | 9.5 (3/8") | I | 56.0 |
| | TFH4525YHR-TZ | 2 | 74.25 | TRI | 2206 | 2831 | 3507 | 4232 | 5005 | 4.05 | 6.03 | 2.28 | 15.9 (5/8") | 9.5 (3/8") | I | 53.0 |



**SUITABLE
FOR FROZEN FOOD
& OTHERS INDUSTRIES**

▶ 50 HZ RANGE [AG]

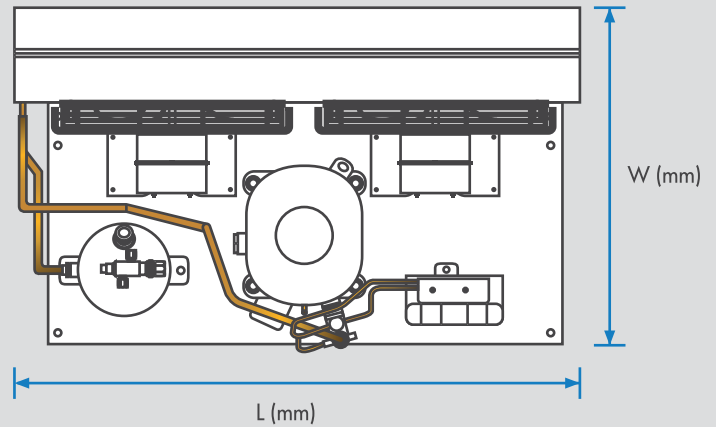
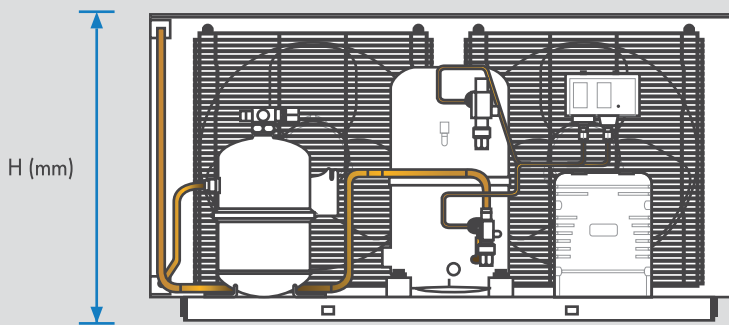
AG

AG Condensing Unit for 50 Hz Range



Dimension Specification fo AG

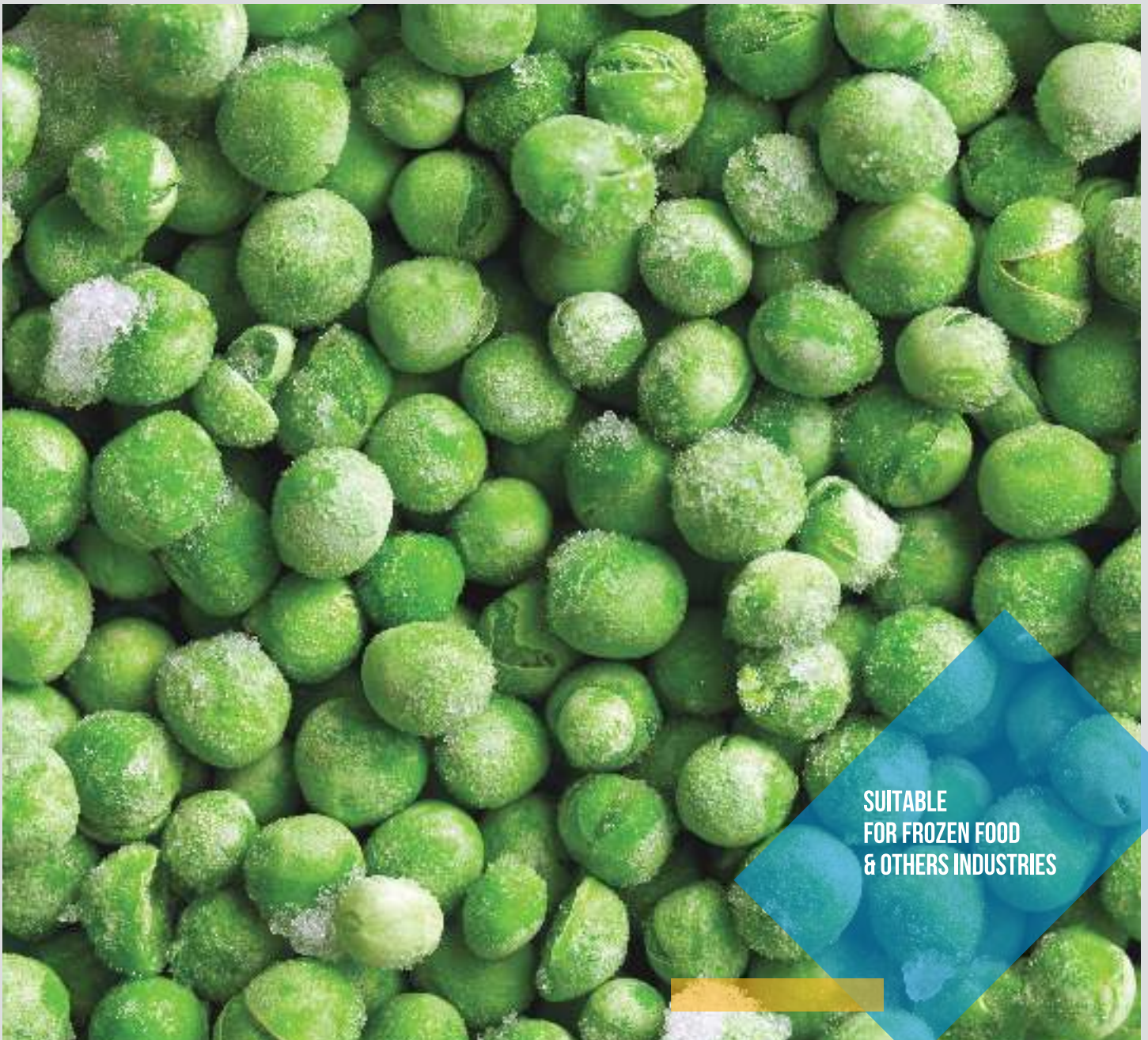
Specification drawing is for reference only, for detail information please refer to our staffs.



| DIMENSION I | | | DIMENSION II | | | DIMENSION III | | |
|-------------|------------|-------------|--------------|------------|-------------|---------------|------------|-------------|
| Height (mm) | Width (mm) | Length (mm) | Height (mm) | Width (mm) | Length (mm) | Height (mm) | Width (mm) | Length (mm) |
| 469.0 | 618.0 | 1002.0 | 469.0 | 442.0 | 1002.0 | 565.0 | 650.0 | 1080.0 |

| MODEL | HP | Disp. (cm ³) | Motor Type | CAPACITY (Watt) | | | | | CURRENT (A) | | COP (W/W) | DIAMETER OF CONNECTION | | DIMENSION | WEIGHT (KG) | |
|------------|------------|--------------------------|------------|-----------------|---------|---------|---------|---------|--------------|--------------|-----------|------------------------|--------------------|-------------|-------------|-------|
| | | | | - 40 °C | - 35 °C | - 30 °C | - 25 °C | - 20 °C | I Nom (Amps) | I Max (Amps) | | SUCTION (mm/Inches) | LIQUID (mm/Inches) | | | |
| LBP R-404A | TAG2513ZBR | 3 1/4 | 100.7 | TRI | 1054 | 1702 | 2474 | 3364 | 4356 | 5.0 | 9.3 | 0.91 | 22.2 (7/8") | 9.5 (3/8") | I | 105.0 |
| | TAG2516ZBR | 4 | 112.5 | TRI | 1602 | 2332 | 3130 | 3997 | 4932 | 5.4 | 10.7 | 1.06 | 22.2 (7/8") | 9.5 (3/8") | I | 106.0 |
| | TAG2522ZBR | 5 1/2 | 134.8 | TRI | 2022 | 2843 | 3785 | 4838 | 5987 | 6.5 | 14.2 | 1.10 | 28.6 (1 1/8") | 9.5 (3/8") | II | 110.0 |
| | TAG2525ZBR | 6 1/4 | 145.0 | TRI | 2258 | 3199 | 4253 | 5401 | 6612 | 7.1 | 14.1 | 1.12 | 28.6 (1 1/8") | 9.5 (3/8") | II | 108.0 |
| | | | | - 15 °C | - 10 °C | - 5 °C | 0 °C | 5 °C | | | | | | | | |
| HBP R-404A | TAG4546ZFR | 3 4/5 | 90.2 | TRI | 4944 | 6208 | 7582 | 9047 | 10579 | 8.1 | 13.2 | 2.35 | 22.2 (7/8") | 15.9 (5/8") | III | 116.0 |
| | TAG4553ZHR | 4 2/5 | 100.7 | TRI | 5416 | 6725 | 8128 | 9605 | 11134 | 8.9 | 14.5 | 2.16 | 22.2 (7/8") | 15.9 (5/8") | III | 115.0 |
| | TAG4561ZHR | 5 | 112.5 | TRI | 6218 | 7663 | 9205 | 10820 | 12482 | 10.1 | 15.1 | 2.18 | 28.6 (1 1/8") | 15.9 (5/8") | III | 122.0 |
| | TAG4568ZHR | 5 5/7 | 124.4 | TRI | 7466 | 9125 | 10911 | 12804 | 14783 | 11.3 | 16.3 | 2.35 | 28.6 (1 1/8") | 15.9 (5/8") | III | 129.0 |
| | TAG4573ZHR | 6 | 134.8 | TRI | 7952 | 9609 | 11377 | 13236 | 15163 | 12.5 | 20.0 | 2.15 | 28.6 (1 1/8") | 15.9 (5/8") | III | 127.0 |
| | TAG4581ZHR | 6 3/4 | 145.0 | TRI | 8675 | 10426 | 12207 | 13953 | 15580 | 13.8 | 22.0 | 2.04 | 28.6 (1 1/8") | 15.9 (5/8") | III | 129.0 |

| MODEL | HP | Disp. (cm ³) | Motor Type | CAPACITY (Watt) | | | | | CURRENT (A) | | COP (W/W) | DIAMETER OF CONNECTION | | DIMENSION | WEIGHT (KG) | |
|----------|------------|--------------------------|------------|-----------------|---------|--------|-------|-------|--------------|--------------|-----------|------------------------|--------------------|-------------|-------------|-------|
| | | | | - 15 °C | - 10 °C | - 5 °C | 0 °C | 5 °C | I Nom (Amps) | I Max (Amps) | | SUCTION (mm/Inches) | LIQUID (mm/Inches) | | | |
| HBP R-22 | TAG4546THR | 5/6 | 90.2 | TRI | 4337 | 5558 | 6970 | 8575 | 10373 | 7.7 | 11.1 | 2.52 | 22.2 (7/8") | 9.5 (3/8") | III | 115.0 |
| | TAG4553THR | 5/6 | 100.7 | TRI | 5249 | 6572 | 8069 | 9741 | 11587 | 8.5 | 13.1 | 2.42 | 22.2 (7/8") | 9.5 (3/8") | III | 115.0 |
| | TAG4561THR | 5 | 112.5 | TRI | 5993 | 7622 | 9390 | 11298 | 13345 | 10.1 | 16.1 | 2.47 | 28.6 (1 1/8") | 12.7 (1/2") | III | 122.0 |
| | TAG4568THR | 5 5/7 | 124.4 | TRI | 7251 | 8882 | 10638 | 12519 | 14525 | 10.7 | 16.7 | 2.38 | 28.6 (1 1/8") | 12.7 (1/2") | III | 129.0 |
| | TAG4573THR | 6 | 134.8 | TRI | 8170 | 9776 | 11484 | 13295 | 15208 | 12.1 | 19.1 | 2.21 | 28.6 (1 1/8") | 12.7 (1/2") | III | 127.0 |
| R-143A | TAG4528YHR | 2 1/3 | 90.2 | TRI | 2421 | 3272 | 4208 | 5231 | 6339 | 4.9 | 9.9 | 2.29 | 22.2 (7/8") | 9.5 (3/8") | I | 89.0 |
| | TAG4534YHR | 2 5/6 | 100.7 | TRI | 2961 | 3929 | 4999 | 6173 | 7451 | 5.5 | 11.2 | 2.68 | 22.2 (7/8") | 9.5 (3/8") | I | 107.0 |
| | TAG4537YHR | 3 | 112.5 | TRI | 3427 | 4497 | 5663 | 6925 | 8282 | 6.2 | 10.8 | 2.73 | 22.2 (7/8") | 9.5 (3/8") | I | 108.0 |
| | TAG4543YHR | 3 3/5 | 124.4 | TRI | 3678 | 4843 | 6138 | 7563 | 9117 | 6.7 | 10.8 | 2.59 | 22.2 (7/8") | 9.5 (3/8") | I | 116.0 |



**SUITABLE
FOR FROZEN FOOD
& OTHERS INDUSTRIES**



**CONDENSING
UNIT**

60HZ

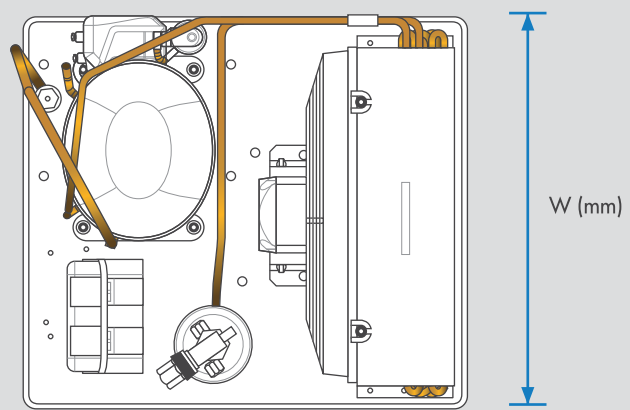
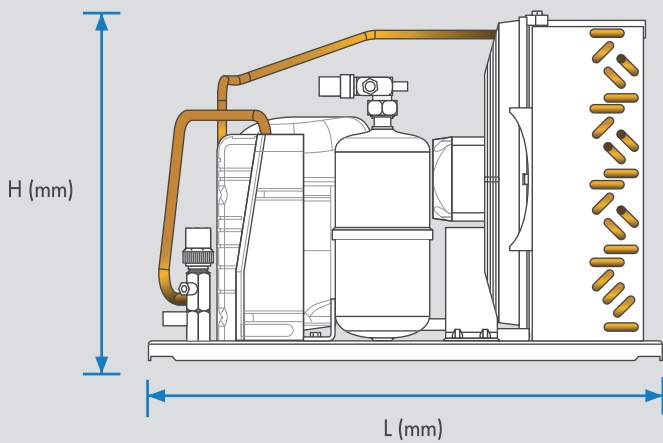
▶ 60 HZ RANGE [AE²]



AE² Condensing Unit for 60 Hz Range

Dimension Specification for AE²

Specification drawing is for reference only, for detail information please refer to our staffs.



| DIMENSION I | | | DIMENSION II | | | DIMENSION III | | |
|-------------|------------|-------------|--------------|------------|-------------|---------------|------------|-------------|
| Height (mm) | Width (mm) | Length (mm) | Height (mm) | Width (mm) | Length (mm) | Height (mm) | Width (mm) | Length (mm) |
| 237.0 | 300.0 | 350.0 | 298.0 | 330.0 | 485.0 | 338.0 | 425.0 | 480.0 |

| MODEL | HP | Disp. (cm ³) | Motor Type | CAPACITY (Watt) | | | | | CURRENT (A) | | COP (w/w) | DIAMETER OF CONNECTION | | DIMENSION | WEIGHT (KG) | |
|------------|--------------|--------------------------|------------|-----------------|---------|---------|---------|---------|--------------|--------------|-----------|------------------------|--------------------|--------------|-------------|------|
| | | | | - 40 °C | - 35 °C | - 30 °C | - 25 °C | - 20 °C | I Nom (Amps) | I Max (Amps) | | SUCTION (mm/Inches) | LIQUID (mm/Inches) | | | |
| LBP R-404A | AE2415ZBR-GS | 3/8 | 7.33 | CSIR | 172 | 227 | 289 | 357 | 430 | 2.2 | 22.4 | 0.87 | 9.50 (3/8") | 4.76 (3/16") | I | 19.5 |
| | AE2410ZBR-AA | 1/4 | 5.02 | CSIR | 116 | 158 | 205 | 259 | 319 | 3.8 | 26.0 | 0.74 | 9.50 (3/8") | 6.35 (1/4") | I | 18.2 |
| | AE2415ZBR-AA | 3/8 | 7.33 | CSIR | 160 | 217 | 281 | 351 | 425 | 4.7 | 31.0 | 0.78 | 9.50 (3/8") | 6.35 (1/4") | I | 19.4 |
| | AE2420ZBR-AA | 1/2 | 9.35 | CSIR | 222 | 302 | 392 | 490 | 594 | 5.6 | 36.0 | 0.91 | 9.50 (3/8") | 6.35 (1/4") | I | 20.6 |
| | AE2425ZBR-AA | 5/8 | 12.01 | CSR | 314 | 413 | 522 | 638 | 763 | 6.8 | 44.0 | 0.86 | 9.50 (3/8") | 6.35 (1/4") | II | 25.9 |

▶ 60 HZ RANGE [AE²]

| MODEL | HP | Disp. (cm ³) | Motor Type | CAPACITY (Watt) | | | | | CURRENT (A) | | COP (W/W) | DIAMETER OF CONNECTION | | DIMENSION | WEIGHT (KG) | |
|------------|------------|--------------------------|------------|-----------------|---------|---------|---------|---------|--------------|--------------|-----------|------------------------|--------------------|-------------|-------------|------|
| | | | | - 40 °C | - 35 °C | - 30 °C | - 25 °C | - 20 °C | I Nom (Amps) | I Max (Amps) | | SUCTION (mm/Inches) | LIQUID (mm/Inches) | | | |
| HBP R-404A | AE4425Z-GS | 1/5 | 4.24 | CSIR | 336 | 408 | 482 | 556 | 628 | 2.3 | 14.4 | 1.66 | 9.50 (3/8") | 6.35 (1/4") | - | 20.1 |
| | AE4430Z-GS | 1/4 | 5.16 | CSIR | 433 | 529 | 630 | 733 | 837 | 2.6 | 19.1 | 1.95 | 9.50 (3/8") | 6.35 (1/4") | - | 20.3 |
| | AE4440Z-GS | 1/3 | 6.69 | CSIR | 557 | 577 | 820 | 970 | 1131 | 3.8 | 22.0 | 1.94 | 9.50 (3/8") | 6.35 (1/4") | - | 24.7 |
| | AE4450Z-GS | 3/8 | 8.85 | CSR | 756 | 893 | 1036 | 1183 | 1331 | 3.8 | 22.0 | 1.70 | 9.50 (3/8") | 6.35 (1/4") | - | 24.9 |
| | AE4460Z-GS | 1/2 | 10.33 | CSR | 821 | 957 | 1098 | 1242 | 1390 | 4.3 | 23.0 | 1.53 | 9.50 (3/8") | 6.35 (1/4") | - | 25.3 |
| | AE4425Z-AA | 1/5 | 4.24 | CSIR | 343 | 412 | 483 | 555 | 627 | 4.5 | 24.0 | 1.64 | 9.50 (3/8") | 6.35 (1/4") | - | 19.1 |
| | AE4450Z-AA | 3/8 | 8.85 | CSIR | 752 | 893 | 1043 | 1199 | 1358 | 9.5 | 45.0 | 1.61 | 9.50 (3/8") | 6.35 (1/4") | - | 24.9 |
| | AE4460Z-AA | 1/2 | 10.33 | CSIR | 832 | 965 | 1101 | 1241 | 1382 | 10.9 | 51.0 | 1.39 | 9.50 (3/8") | 6.35 (1/4") | - | 24.5 |
| | AE4470Z-AA | 5/8 | 12.01 | CSR | 1064 | 1248 | 1450 | 1670 | 1907 | 10.0 | 49.0 | 1.87 | 9.50 (3/8") | 6.35 (1/4") | - | 28.0 |
| HBP R-134A | AE4425Y-GS | 1/5 | 6.69 | CSIR | 290 | 366 | 449 | 537 | 628 | 2.1 | 12.3 | 1.75 | 9.50 (3/8") | 6.35 (1/4") | - | 17.6 |
| | AE4430Y-GS | 1/4 | 8.02 | CSIR | 387 | 487 | 598 | 719 | 849 | 2.5 | 17.2 | 2.07 | 9.50 (3/8") | 6.35 (1/4") | - | 20.5 |
| | AE4440Y-GS | 1/3 | 10.33 | CSIR | 518 | 640 | 769 | 903 | 1039 | 3.2 | 18.6 | 1.91 | 9.50 (3/8") | 6.35 (1/4") | - | 18.8 |
| | AE4450Y-GS | 3/8 | 13.24 | CSR | 658 | 803 | 962 | 1134 | 1316 | 3.5 | 22.0 | 1.87 | 9.50 (3/8") | 6.35 (1/4") | - | 25.0 |
| | AE4425Y-AA | 1/5 | 6.69 | CSIR | 306 | 384 | 469 | 559 | 655 | 4.2 | 25.0 | 1.78 | 9.50 (3/8") | 6.35 (1/4") | - | 17.6 |
| | AE4430Y-AA | 1/4 | 8.02 | CSIR | 382 | 482 | 593 | 712 | 838 | 5.3 | 30.0 | 1.96 | 9.50 (3/8") | 6.35 (1/4") | - | 19.1 |
| | AE4440Y-AA | 1/3 | 10.33 | CSIR | 491 | 604 | 729 | 867 | 1015 | 6.4 | 32.0 | 1.74 | 9.50 (3/8") | 6.35 (1/4") | - | 18.8 |
| | AE4456Y-AA | 1/2 | 14.51 | CSIR | 732 | 902 | 1088 | 1289 | 1505 | 9.1 | 45.0 | 1.85 | 9.50 (3/8") | 6.35 (1/4") | - | 25.8 |



**SUITABLE
FOR FROZEN FOOD
& OTHERS INDUSTRIES**

▶ 60 HZ RANGE [AJ²]

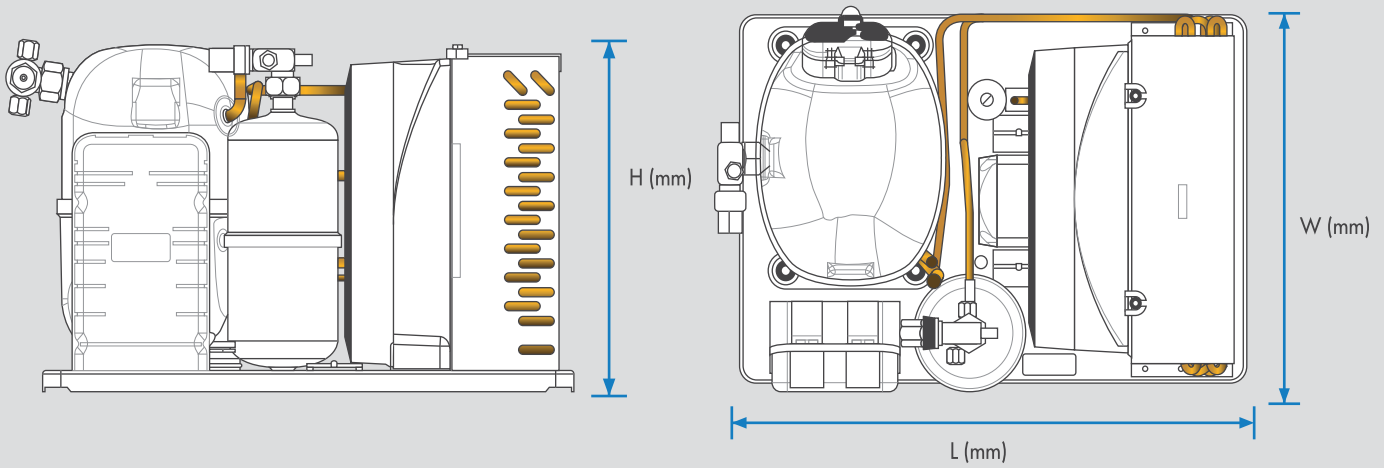


AJ² Condensing Unit for 60 Hz Range



Dimension Specification for AJ²

Specification drawing is for reference only, for detail information please refer to our staffs.



| DIMENSION I | | | DIMENSION II | | | DIMENSION III | | |
|-------------|------------|-------------|--------------|------------|-------------|---------------|------------|-------------|
| Height (mm) | Width (mm) | Length (mm) | Height (mm) | Width (mm) | Length (mm) | Height (mm) | Width (mm) | Length (mm) |
| 300.0 | 343.0 | 510.0 | 340.0 | 430.0 | 490.0 | 445.0 | 512.0 | 607.0 |

| MODEL | HP | Disp. (cm ³) | Motor Type | CAPACITY (Watt) | | | | | CURRENT (A) | | COP (W/W) | DIAMETER OF CONNECTION | | DIMENSION | WEIGHT (KG) | |
|------------|----------------|--------------------------|------------|-----------------|---------|---------|---------|---------|--------------|--------------|-----------|------------------------|--------------------|-------------|-------------|------|
| | | | | - 40 °C | - 35 °C | - 30 °C | - 25 °C | - 20 °C | I Nom (Amps) | I Max (Amps) | | SUCTION (mm/Inches) | LIQUID (mm/Inches) | | | |
| LBP R-404A | CAJ2432ZBR-HZ | 3/4 | 18.30 | CSR | - | 339 | 458 | 584 | 713 | 3.9 | 7.0 | 0.76 | 12.70 (1/2") | 6.35 (1/4") | I | 33.6 |
| | CAJ2446ZBR-HZ | 1 | 26.20 | CSR | - | 600 | 804 | 1028 | 1272 | 5.7 | 12.4 | 0.95 | 12.70 (1/2") | 9.50 (3/8") | II | 36.0 |
| | CAJ2464ZBR-HZ | 1 1/2 | 34.50 | CSR | - | 758 | 995 | 1252 | 1525 | 7.1 | 14.6 | 0.91 | 12.70 (1/2") | 9.50 (3/8") | II | 38.0 |
| | | | | | - 15 °C | - 10 °C | - 5 °C | 0 °C | 5 °C | | | | | | | |
| HBP R-404A | CAJ9480ZMHR-HZ | 2/3 | 15.20 | CSR | 1015 | 1210 | 1409 | 1604 | 1788 | 7.9 | 12.4 | 1.81 | 12.70 (1/2") | 9.50 (3/8") | II | 34.0 |
| | CAJ9510ZMHR-HZ | 1 | 18.30 | CSR | 1258 | 1486 | 1717 | 1936 | 2124 | 7.9 | 12.4 | 1.77 | 15.90 (5/8") | 9.50 (3/8") | II | 36.0 |
| | CAJ9513ZMHR-HZ | 1 1/8 | 24.20 | CSR | 1390 | 1692 | 1987 | 2268 | 2529 | 9.0 | 14.3 | 1.80 | 15.90 (5/8") | 9.50 (3/8") | II | 39.0 |
| | CAJ9513ZMHR-XA | 1 1/8 | 24.20 | CSR | 1365 | 1675 | 1977 | 2268 | 2542 | 17.3 | 23.5 | 1.90 | 15.90 (5/8") | 9.50 (3/8") | II | 39.0 |
| | TAJ4517ZHR-KZ | 1 1/2 | 25.95 | TRI | 1828 | 2155 | 2505 | 2862 | 3204 | 6.6 | 7.6 | 2.15 | 15.90 (5/8") | 9.50 (3/8") | III | 47.0 |
| | CAJ4519ZHR-HZ | 1 3/5 | 34.50 | CSR | 2392 | 2866 | 3338 | 3783 | 4173 | 12.3 | 17.0 | 1.98 | 15.90 (5/8") | 9.50 (3/8") | III | 49.0 |
| HBP R-134a | CAJ4461YHR-XA | 1/2 | 18.30 | CSIR | 575 | 730 | 895 | 1064 | - | 10.5 | 14.7 | 1.75 | 12.70 (1/2") | 6.35 (1/4") | I | 32.0 |
| | CAJ4492YHR-HZ | 3/4 | 25.95 | CSIR | 829 | 1124 | 1434 | 1748 | 2057 | 7.8 | 10.8 | 2.42 | 12.70 (1/2") | 9.50 (3/8") | II | 35.0 |



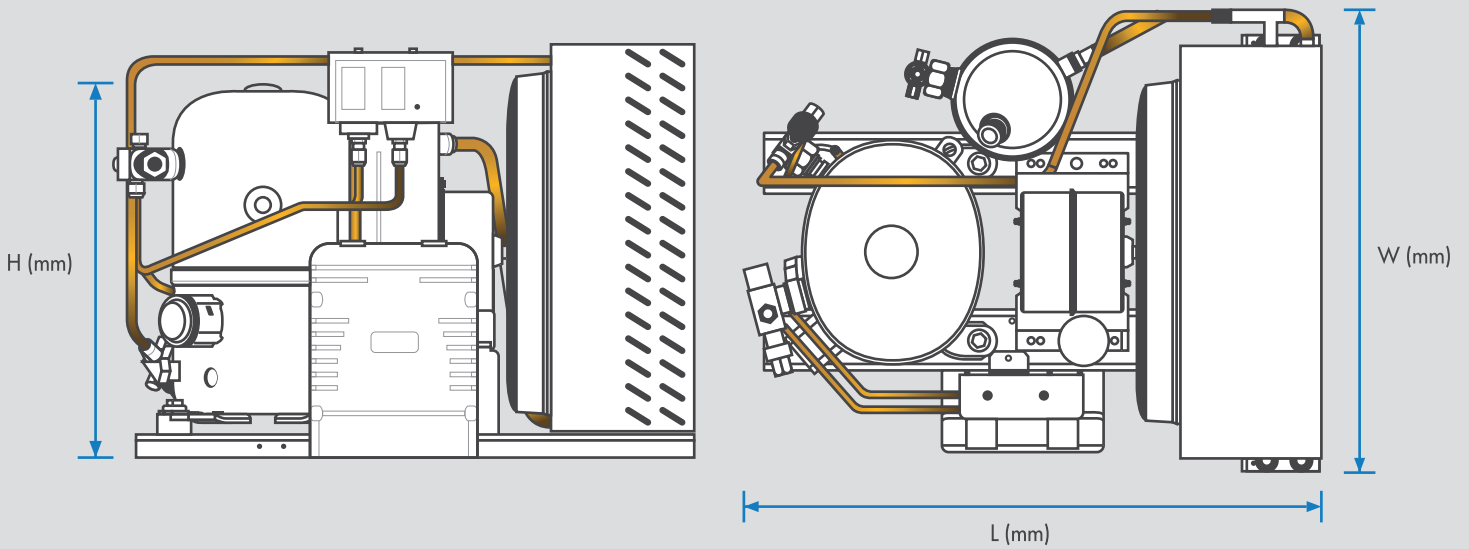
▶ 60 HZ RANGE [FH]



FH Condensing Unit for 60 Hz Range

Dimension Specification for FH

Specification drawing is for reference only, for detail information please refer to our staffs.



| DIMENSION I | | | DIMENSION II | | | DIMENSION III | | |
|-------------|------------|-------------|--------------|------------|-------------|---------------|------------|-------------|
| Height (mm) | Width (mm) | Length (mm) | Height (mm) | Width (mm) | Length (mm) | Height (mm) | Width (mm) | Length (mm) |
| 450.0 | 512.0 | 630.0 | 469.0 | 1002.0 | 648.0 | 469.0 | 1002.0 | 642.0 |

| MODEL | HP | Disp. (cm ³) | Motor Type | CAPACITY (Watt) | | | | | CURRENT (A) | | COP (W/W) | DIAMETER OF CONNECTION | | DIMENSION | WEIGHT (KG) | |
|------------|---------------|--------------------------|------------|-----------------|---------|---------|---------|---------|--------------|--------------|-----------|------------------------|--------------------|-------------|-------------|------|
| | | | | - 40 °C | - 35 °C | - 30 °C | - 25 °C | - 20 °C | I Nom (Amps) | I Max (Amps) | | SUCTION (mm/Inches) | LIQUID (mm/Inches) | | | |
| LBP R-404A | FH2480ZBR-HZ | 2 | 53.20 | CSR | 1003 | 1450 | 1913 | 2449 | 2952 | 10.8 | 25.2 | 0.82 | 15.9 (5/8") | 9.5 (3/8") | I | 57.0 |
| | TFH2480ZBR-KZ | 2 | 53.20 | TRI | 1003 | 1450 | 1913 | 2449 | 2952 | 6.74 | 12.8 | 0.94 | 15.9 (5/8") | 9.5 (3/8") | I | 53.0 |
| | FH2511ZBR-HZ | 2 3/4 | 74.20 | CSR | 1168 | 1788 | 2473 | 3152 | 3869 | 13.6 | 29.2 | 0.87 | 15.9 (5/8") | 9.5 (3/8") | I | 58.0 |
| | TFH2511ZBR-KZ | 2 3/4 | 74.20 | TRI | 1168 | 1788 | 2473 | 3152 | 3869 | 7.46 | 14.6 | 0.92 | 15.9 (5/8") | 9.5 (3/8") | I | 54.0 |
| | | | | | -15 °C | - 10 °C | - 5 °C | 0 °C | 5 °C | | | | | | | |
| HBP R-404A | FH4524ZHR-HZ | 2 | 43.50 | CSR | 3132 | 3818 | 4520 | 5239 | 5974 | 15.20 | 23.80 | 1.90 | 15.9 (5/8") | 9.5 (3/8") | I | 57.0 |
| | TFH4524ZHR-KZ | 2 | 43.50 | TRI | 3133 | 3818 | 4520 | 5239 | 5974 | 9.80 | 13.80 | 1.87 | 15.9 (5/8") | 9.5 (3/8") | I | 53.0 |
| | FH4531ZHR-HZ | 2 3/5 | 56.6 | CSR | 4435 | 5437 | 6455 | 7488 | 8536 | 19.90 | 33.00 | 2.07 | 22.2 (7/8") | 12.7 (1/2") | II | 80.0 |
| | TFH4531ZHR-KZ | 2 3/5 | 56.6 | TRI | 4435 | 5437 | 6455 | 7488 | 8536 | 12.60 | 16.80 | 2.00 | 22.2 (7/8") | 12.7 (1/2") | II | 75.0 |
| | TFH4540ZHR-KZ | 3 2/7 | 74.20 | TRI | 5358 | 6470 | 7614 | 8792 | 10003 | 16.20 | 24.30 | 1.83 | 22.2 (7/8") | 12.7 (1/2") | II | 89.0 |

| MODEL | HP | Disp. (cm ³) | Motor Type | CAPACITY (Watt) | | | | | CURRENT (A) | | COP (W/W) | DIAMETER OF CONNECTION | | DIMENSION | WEIGHT (KG) | |
|------------|---------------|--------------------------|------------|-----------------|---------|--------|------|------|--------------|--------------|-----------|------------------------|--------------------|------------|-------------|------|
| | | | | - 15 °C | - 10 °C | - 5 °C | 0 °C | 5 °C | I Nom (Amps) | I Max (Amps) | | SUCTION (mm/Inches) | LIQUID (mm/Inches) | | | |
| HBR R-22 | FFH4524FHR | 2 | 43.50 | CSR | 2706 | 3410 | 4150 | 4931 | 5832 | 15.10 | 21.90 | 1.95 | 15.9 (5/8") | 9.5 (3/8") | I | 56.0 |
| | TFH4524FHR | 2 | 43.50 | TRI | 2706 | 3410 | 4150 | 4931 | 5832 | 9.87 | 12.80 | 1.96 | 15.9 (5/8") | 9.5 (3/8") | I | 52.0 |
| | FFH4531FHR | 2 3/5 | 56.65 | CSR | 4212 | 5092 | 6077 | 7208 | 8373 | 20.00 | 26.70 | 2.07 | 22.2 (7/8") | 9.5 (3/8") | III | 80.0 |
| | TFH4531FHR | 2 3/5 | 56.65 | TRI | 4212 | 5092 | 6077 | 7208 | 8373 | 10.30 | 16.30 | 2.20 | 22.2 (7/8") | 9.5 (3/8") | II | 75.0 |
| | TFH4540FHR | 3 1/3 | 74.25 | TRI | 4859 | 6009 | 7229 | 8711 | 10106 | 13.20 | 20.40 | 2.01 | 22.2 (7/8") | 9.5 (3/8") | III | 89.0 |
| HBR R-134a | FFH4518YHR-HZ | 1 1/2 | 53.20 | CSR | 2212 | 2764 | 3444 | 4203 | 4965 | 12.10 | 17.80 | 2.09 | 15.9 (5/8") | 9.5 (3/8") | I | 51.0 |
| | TFH4518YHR-KZ | 1 1/2 | 53.20 | TRI | 2217 | 2785 | 3436 | 4171 | 4990 | 7.00 | 10.80 | 2.21 | 15.9 (5/8") | 9.5 (3/8") | I | 51.0 |
| | FFH4525YHR-HZ | 2 | 74.25 | CSR | 2675 | 3443 | 4269 | 5152 | 6093 | 14.10 | 21.10 | 1.92 | 15.9 (5/8") | 9.5 (3/8") | I | 56.0 |
| | TFH4525YHR-KZ | 2 | 74.25 | TRI | 2675 | 3443 | 4269 | 5152 | 6093 | 8.60 | 13.10 | 1.97 | 15.9 (5/8") | 9.5 (3/8") | I | 54.0 |



**SUITABLE
FOR FROZEN FOOD
& OTHERS INDUSTRIES**

▶ 60 HZ RANGE [AG]

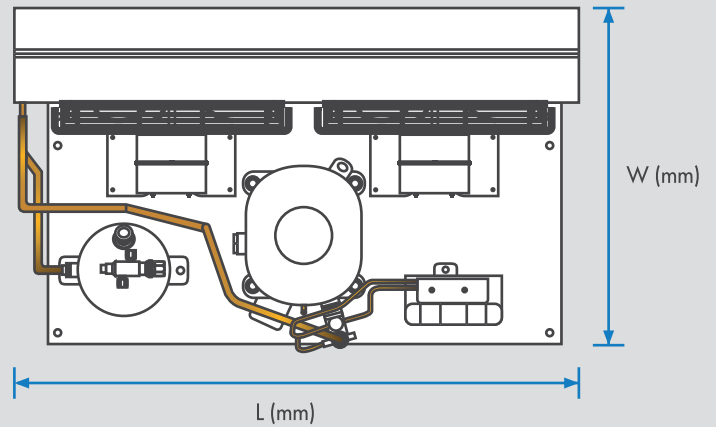
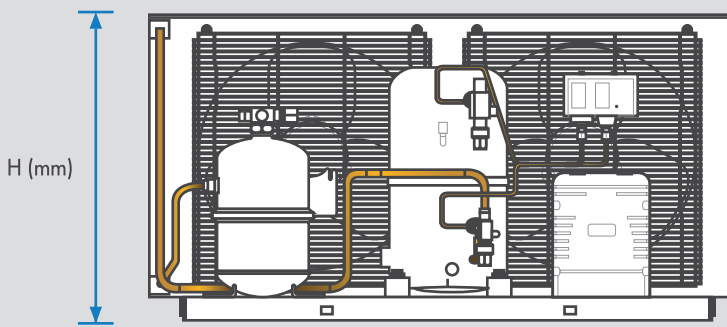
AG

AG Condensing Unit for 60 Hz Range



Dimension Specification fo AG

Specification drawing is for reference only, for detail information please refer to our staffs.



| DIMENSION I | | | DIMENSION II | | | DIMENSION III | | |
|-------------|------------|-------------|--------------|------------|-------------|---------------|------------|-------------|
| Height (mm) | Width (mm) | Length (mm) | Height (mm) | Width (mm) | Length (mm) | Height (mm) | Width (mm) | Length (mm) |
| 469.0 | 618.0 | 1002.0 | 565.0 | 650.0 | 1080.0 | 464.0 | 1080.0 | 650.0 |

| MODEL | HP | Disp. (cm ³) | Motor Type | CAPACITY (Watt) | | | | | CURRENT (A) | | COP (W/W) | DIAMETER OF CONNECTION | | DIMENSION | WEIGHT (KG) | |
|------------|------------|--------------------------|------------|-----------------|---------|---------|---------|---------|--------------|--------------|-----------|------------------------|--------------------|-------------|-------------|-------|
| | | | | - 40 °C | - 35 °C | - 30 °C | - 25 °C | - 20 °C | I Nom (Amps) | I Max (Amps) | | SUCTION (mm/Inches) | LIQUID (mm/Inches) | | | |
| LBP R-404A | TAG2516ZBR | 4 | 112.5 | TRI | 1881 | 2744 | 3681 | 4691 | 5776 | 11.5 | 26.1 | 0.94 | 22.2 (7/8") | 9.5 (3/8") | I | 106.0 |
| | TAG2522ZBR | 5 1/2 | 134.8 | TRI | 2480 | 3523 | 4647 | 5854 | 7143 | 14.4 | 32.4 | 0.92 | 28.6 (1 1/8) | 9.5 (3/8") | I | 110.0 |
| | | | | | - 15 °C | - 10 °C | - 5 °C | 0 °C | 5 °C | | | | | | | |
| HBP R-404A | TAG4546ZHR | 3 4/5 | 90.2 | TRI | 6161 | 7707 | 9349 | 11087 | 12922 | 19.2 | 25.4 | 2.23 | 22.2 (7/8") | 15.9 (5/8") | II | 116.0 |
| | TAG4553ZHR | 4 2/5 | 100.7 | TRI | 6570 | 8201 | 9910 | 11697 | 13562 | 20.9 | 31.0 | 2.08 | 22.2 (7/8") | 15.9 (5/8") | II | 115.0 |
| | TAG4561ZHR | 5 | 112.5 | TRI | 7503 | 9427 | 11447 | 13565 | 15781 | 23.4 | 34.0 | 2.11 | 28.6 (1 1/8) | 15.9 (5/8") | II | 122.0 |
| | TAG4568ZHR | 5 2/3 | 124.4 | TRI | 8547 | 10950 | 13325 | 15671 | 17989 | 27.0 | 39.0 | 2.12 | 28.6 (1 1/8) | 15.9 (5/8") | II | 129.0 |
| | TAG4573ZHR | 6 | 134.8 | TRI | 9346 | 11440 | 13637 | 15937 | 18339 | 29.0 | 42.0 | 1.94 | 28.6 (1 1/8) | 15.9 (5/8") | III | 127.0 |

| MODEL | HP | Disp. (cm ³) | Motor Type | CAPACITY (Watt) | | | | | CURRENT (A) | | COP (W/W) | DIAMETER OF CONNECTION | | DIMENSION | WEIGHT (KG) | |
|-------------------|------------|--------------------------|------------|-----------------|---------|--------|-------|-------|--------------|--------------|-----------|------------------------|--------------------|-------------|-------------|-------|
| | | | | - 15 °C | - 10 °C | - 5 °C | 0 °C | 5 °C | I Nom (Amps) | I Max (Amps) | | SUCTION (mm/Inches) | LIQUID (mm/Inches) | | | |
| HBP R-22 | TAG4546THR | 5/6 | 90.2 | TRI | 5115 | 6547 | 8194 | 10056 | 12133 | 15.8 | 28.0 | 2.28 | 22.2 (7/8") | 9.5 (3/8") | II | 115.0 |
| | TAG4553THR | 5/6 | 100.7 | TRI | 6188 | 7741 | 9487 | 11425 | 13555 | 18.8 | 29.0 | 2.38 | 22.2 (7/8") | 9.5 (3/8") | II | 115.0 |
| | TAG4561THR | 5 | 112.5 | TRI | 7065 | 8977 | 11038 | 13250 | 15612 | 19.8 | 35.0 | 2.32 | 28.6 (1 1/8") | 12.7 (1/2") | II | 122.0 |
| | TAG4568THR | 5 2/3 | 124.4 | TRI | 7803 | 10036 | 12425 | 14971 | 17675 | 22.8 | 38.0 | 2.31 | 28.6 (1 1/8") | 12.7 (1/2") | II | 129.0 |
| HBP R-143A | TAG4534YHR | 2 5/6 | 100.7 | TRI | 3478 | 4624 | 5881 | 7246 | 8721 | 11.5 | 27.0 | 2.25 | 22.2 (7/8") | 9.5 (3/8") | I | 108.0 |
| | TAG4537YHR | 3 | 112.5 | TRI | 4026 | 5294 | 6661 | 8129 | 9695 | 13.5 | 27.0 | 2.19 | 22.2 (7/8") | 9.5 (3/8") | I | 108.0 |
| | TAG4543YHR | 3 3/5 | 124.4 | TRI | 4321 | 5702 | 7221 | 8877 | 10672 | 14.5 | 27.0 | 2.18 | 22.2 (7/8") | 9.5 (3/8") | I | 116.0 |



**SUITABLE
FOR FROZEN FOOD
& OTHERS INDUSTRIES**



SPECIAL CONDENSING UNIT

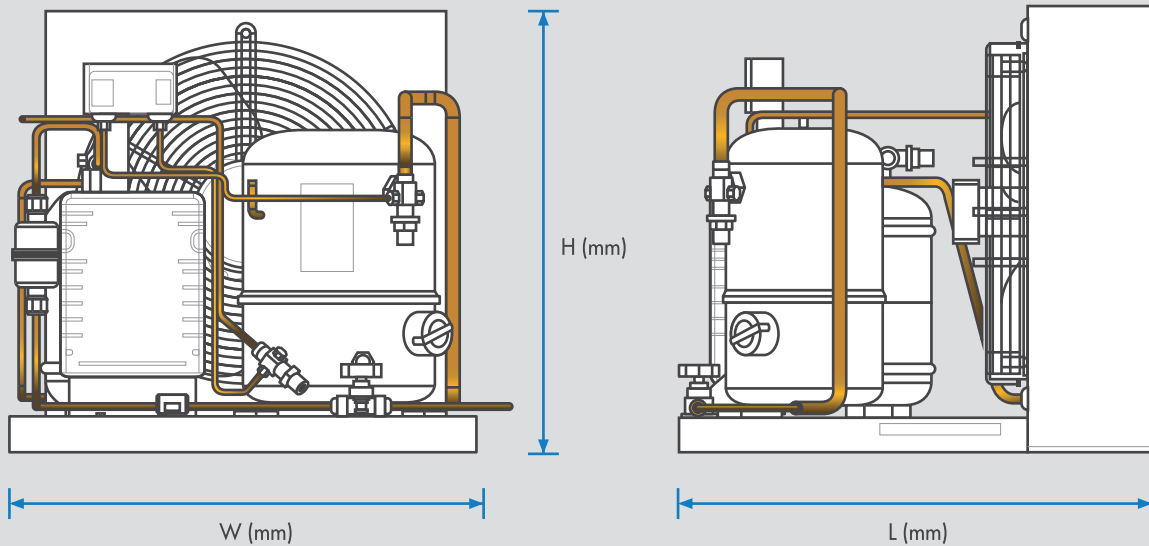
▶ [EASYPACK]

EASYPACK



Dimension Specification for Easypack

Specification drawing is for reference only, for detail information please refer to our staffs.



| DIMENSION I | | | DIMENSION II | | | DIMENSION III | | |
|-------------|------------|-------------|--------------|------------|-------------|---------------|------------|-------------|
| Height (mm) | Width (mm) | Length (mm) | Height (mm) | Width (mm) | Length (mm) | Height (mm) | Width (mm) | Length (mm) |
| 558.0 | 600.0 | 600.0 | 565.0 | 974.0 | 590.0 | 673.0 | 1060.0 | 690.0 |

| MODEL | HP | CAPACITY (Watt) | | | | | CURRENT (A) | | DIAMETER OF CONNECTION | | CONDENSER FAN | | DIMENSION | WEIGHT (KG) | UNIT COOLER MATCHING | |
|------------|-----------|-----------------|---------|---------|---------|---------|--------------|--------------|------------------------|--------------------|---------------|-----------|-----------|-------------|----------------------|--------------|
| | | - 40 °C | - 35 °C | - 30 °C | - 25 °C | - 20 °C | I Nom (Amps) | I Max (Amps) | SUCTION (mm/Inches) | LIQUID (mm/Inches) | Nos | Dia. (mm) | | | | |
| LBP R-404A | EPSL2480Z | 2 | 773 | 1198 | 1629 | 2066 | 2509 | 8.3 | 20.1 | 15.9 (5/8") | 9.5 (3/8") | 1 | 400 | I | 73.0 | TEM-L-2.2/12 |
| | EPL2480Z | 2 | 805 | 1249 | 1701 | 2161 | 2629 | 2.8 | 4.3 | 15.9 (5/8") | 9.5 (3/8") | 1 | 400 | I | 73.0 | TEM-L-2.2/12 |
| | EPSL2511Z | 2 3/4 | 1069 | 1572 | 2137 | 2763 | 3449 | 12.9 | 25.5 | 15.9 (5/8") | 9.5 (3/8") | 1 | 400 | I | 80.0 | TEM-L-3.7/22 |
| | EPL2511Z | 2 3/4 | 1069 | 1572 | 2137 | 2763 | 3449 | 4.0 | 5.9 | 15.9 (5/8") | 9.5 (3/8") | 1 | 400 | I | 80.0 | TEM-L-3.7/22 |
| | EPL2513Z | 3 1/4 | 1010 | 1645 | 2398 | 3266 | 4237 | 5.0 | 9.3 | 22.2 (7/8") | 9.5 (3/8") | 2 | 400 | II | 91.4 | TEM-L-3.7/22 |
| | EPL2516Z | 4 | 1492 | 2186 | 2960 | 3813 | 4743 | 5.4 | 10.7 | 22.2 (7/8") | 9.5 (3/8") | 2 | 400 | II | 110.0 | TEM-L-5.6/30 |
| | EPL2522Z | 5 1/2 | 1895 | 2739 | 3723 | 4849 | 6112 | 6.9 | 14.7 | 28.6 (1 1/8") | 9.5 (3/8") | 2 | 400 | II | 118.0 | TEM-L-5.6/30 |
| | EPL2525Z | 6 1/4 | 2053 | 2971 | 3993 | 5102 | 6270 | 7.4 | 14.7 | 28.6 (1 1/8") | 9.5 (3/8") | 2 | 400 | II | 108.0 | TEM-L-5.6/30 |

[EASYPACK]

| MODEL | HP | CAPACITY (Watt) | | | | | CURRENT (A) | | DIAMETER OF CONNECTION | | CONDENSER FAN | | DIMENSION | WEIGHT (KG) | UNIT COOLER MATCHING | |
|------------|-----------|-----------------|---------|--------|-------|-------|--------------|--------------|------------------------|--------------------|---------------|-----------|-----------|-------------|----------------------|--------------|
| | | - 15 °C | - 10 °C | - 5 °C | 0 °C | 6 °C | I Nom (Amps) | I Max (Amps) | SUCTION (mm/Inches) | LIQUID (mm/Inches) | Nos | Dia. (mm) | | | | |
| HBP R-404A | EPSH4517Z | 1 1/2 | 1798 | 2171 | 2572 | 2997 | 3444 | 8.0 | 13.4 | 15.9 (5/8") | 9.5 (3/8") | 1 | 400 | I | 60.0 | TEMH-3.0/15 |
| | EPH4517Z | 1 1/2 | 1757 | 2158 | 2582 | 3028 | 3494 | 3.4 | 4.4 | 15.9 (5/8") | 9.5 (3/8") | 1 | 400 | I | 60.0 | TEMH-3.0/15 |
| | EPSH4519Z | 1 3/5 | 2382 | 2903 | 3457 | 4039 | 4644 | 10.7 | 16.0 | 15.9 (5/8") | 9.5 (3/8") | 1 | 400 | I | 60.0 | TEMH-4.1/20 |
| | EPH4519Z | 1 3/5 | 2149 | 2921 | 3459 | 4030 | 4630 | 4.6 | 5.4 | 15.9 (5/8") | 9.5 (3/8") | 1 | 400 | I | 60.0 | TEMH-4.1/20 |
| | EPSH4524Z | 2 | 2442 | 3053 | 3706 | 4397 | 5125 | 11.0 | 19.0 | 15.9 (5/8") | 9.5 (3/8") | 1 | 400 | I | 73.0 | TEMH-4.1/20 |
| | EPH4524Z | 2 | 2442 | 3053 | 3706 | 4397 | 5125 | 4.2 | 6.9 | 15.9 (5/8") | 9.5 (3/8") | 1 | 400 | I | 73.0 | TEMH-4.1/20 |
| | EPSH4531Z | 2 3/5 | 3636 | 4486 | 5361 | 6262 | 7184 | 14.8 | 28.0 | 22.2 (7/8") | 12.7 (1/2") | 1 | 400 | I | 78.0 | TEMH-4.9/20 |
| | EPH4531Z | 2 3/5 | 3636 | 4486 | 5361 | 6262 | 7184 | 5.4 | 9.0 | 22.2 (7/8") | 12.7 (1/2") | 1 | 400 | I | 78.0 | TEMH-4.9/20 |
| | EPSH4540Z | 3 2/7 | 4490 | 5433 | 6444 | 7518 | 8654 | 20.0 | 28.8 | 22.2 (7/8") | 12.7 (1/2") | 1 | 400 | I | 80.0 | TEMH-8.0/40 |
| | EPH4540Z | 3 2/7 | 4490 | 5433 | 6444 | 7518 | 8654 | 7.0 | 10.4 | 22.2 (7/8") | 12.7 (1/2") | 1 | 400 | I | 80.0 | TEMH-8.0/40 |
| | EPH4546Z | 3 4/5 | 4659 | 5972 | 7438 | 9056 | 10823 | 8.6 | 13.7 | 22.2 (7/8") | 12.7 (1/2") | 2 | 400 | II | 110.0 | TEMH-8.0/40 |
| | EPH4553Z | 4 2/5 | 5260 | 6703 | 8291 | 10019 | 11878 | 8.9 | 14.5 | 28.6 (1 1/8") | 12.7 (1/2") | 2 | 400 | II | 118.0 | TEMH-8.0/40 |
| | EPH4561Z | 5 | 6013 | 7508 | 9136 | 10895 | 12776 | 10.1 | 17.0 | 28.6 (1 1/8") | 12.7 (1/2") | 2 | 400 | II | 118.0 | TEMH-11.2/55 |
| | EPH4568Z | 5 5/7 | 7271 | 9026 | 10972 | 13118 | 15476 | 11.3 | 16.3 | 28.6 (1 1/8") | 12.7 (1/2") | 2 | 400 | II | 135.0 | TEMH-11.2/55 |
| | EPH4573Z | 6 | 7875 | 9692 | 11700 | 13905 | 16314 | 13.0 | 21.0 | 28.6 (1 1/8") | 12.7 (1/2") | 2 | 400 | II | 135.0 | TEMH-11.2/55 |
| EPH4581Z | 6 3/4 | 8540 | 10384 | 12329 | 14347 | 16414 | 15.2 | 23.0 | 28.6 (1 1/8") | 12.7 (1/2") | 2 | 400 | III | 135.0 | TEMH-11.2/55 | |
| HBP R-22 | EPSH4517T | 1 1/2 | 1672 | 2102 | 2555 | 3024 | 3498 | 6.5 | 10.9 | 15.9 (5/8") | 9.5 (3/8") | 1 | 400 | I | 60.0 | TEMH-3.0/15 |
| | EPH4517T | 1 1/2 | 1672 | 2102 | 2555 | 3024 | 3498 | 3.2 | 4.2 | 15.9 (5/8") | 9.5 (3/8") | 1 | 400 | I | 60.0 | TEMH-3.0/15 |
| | EPH4519T | 1 3/5 | 2426 | 2918 | 3462 | 4046 | 4661 | 4.2 | 4.9 | 15.9 (5/8") | 9.5 (3/8") | 1 | 400 | I | 60.0 | TEMH-4.1/20 |
| | EPSH4524F | 2 | 2328 | 2953 | 3654 | 4431 | 5282 | 4.0 | 14.7 | 15.9 (5/8") | 9.5 (3/8") | 1 | 400 | I | 73.0 | TEMH-4.1/20 |
| | EPH4524F | 2 | 2328 | 2953 | 3654 | 4431 | 5282 | 4.0 | 5.5 | 15.9 (5/8") | 9.5 (3/8") | 1 | 400 | I | 73.0 | TEMH-4.1/20 |
| | EPSH4531F | 2 3/5 | 3442 | 4198 | 5049 | 5976 | 6978 | 15.0 | 22.7 | 22.2 (7/8") | 12.7 (1/2") | 1 | 400 | I | 78.0 | TEMH-4.9/20 |
| | EPH4531F | 2 3/5 | 3442 | 4198 | 5049 | 5976 | 6978 | 5.1 | 7.5 | 22.2 (7/8") | 12.7 (1/2") | 1 | 400 | I | 78.0 | TEMH-4.9/20 |
| | EPH4540F | 3 2/7 | 4032 | 5029 | 6129 | 7333 | 8639 | 7.0 | 9.5 | 22.2 (7/8") | 12.7 (1/2") | 1 | 400 | I | 80.0 | TEMH-8.0/40 |
| | EPH4546T | 3 4/5 | 4443 | 5497 | 6832 | 8448 | 10344 | 7.5 | 11.1 | 22.2 (7/8") | 12.7 (1/2") | 2 | 400 | II | 110.0 | TEMH-8.0/40 |
| | EPH4553T | 4 2/5 | 5162 | 6274 | 7711 | 9470 | 11552 | 8.3 | 13.1 | 28.6 (1 1/8") | 12.7 (1/2") | 2 | 400 | II | 118.0 | TEMH-8.0/40 |
| | EPH4561T | 5 | 5630 | 7286 | 9060 | 10949 | 12952 | 10.6 | 16.1 | 28.6 (1 1/8") | 12.7 (1/2") | 2 | 400 | II | 118.0 | TEMH-11.2/55 |
| | EPH4568T | 5 5/7 | 6310 | 8235 | 10327 | 12584 | 15005 | 10.4 | 16.7 | 28.6 (1 1/8") | 12.7 (1/2") | 2 | 400 | II | 135.0 | TEMH-11.2/55 |
| | EPH4573T | 6 | 6711 | 8614 | 10725 | 13043 | 15567 | 11.3 | 19.1 | 28.6 (1 1/8") | 12.7 (1/2") | 2 | 400 | II | 135.0 | TEMH-11.2/55 |



SEMI
HERMETIC

50HZ

▶ 50 HZ RANGE [SH]

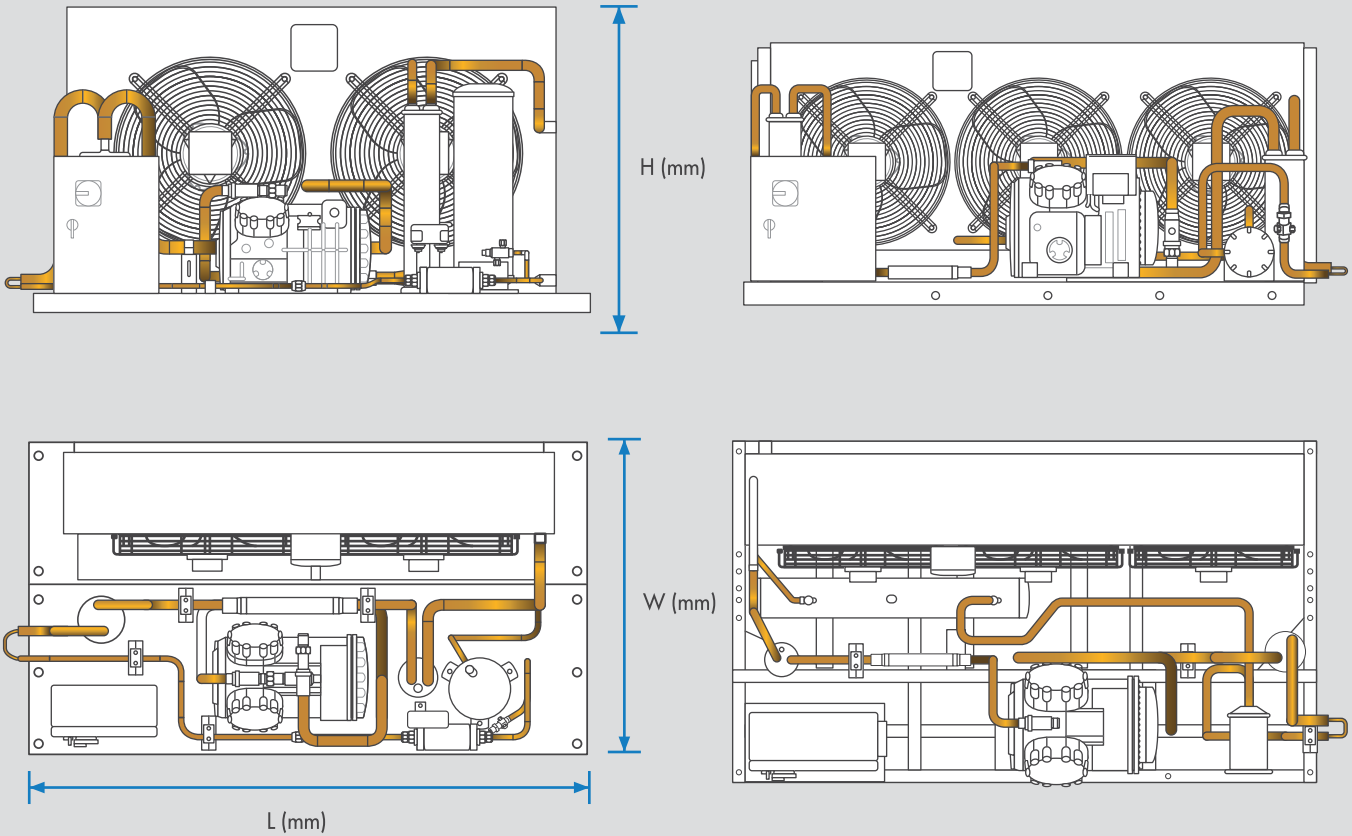
SH

Semi-Hermetic Unit for 50 Hz Range



Dimension Specification for Semi-Hermetic

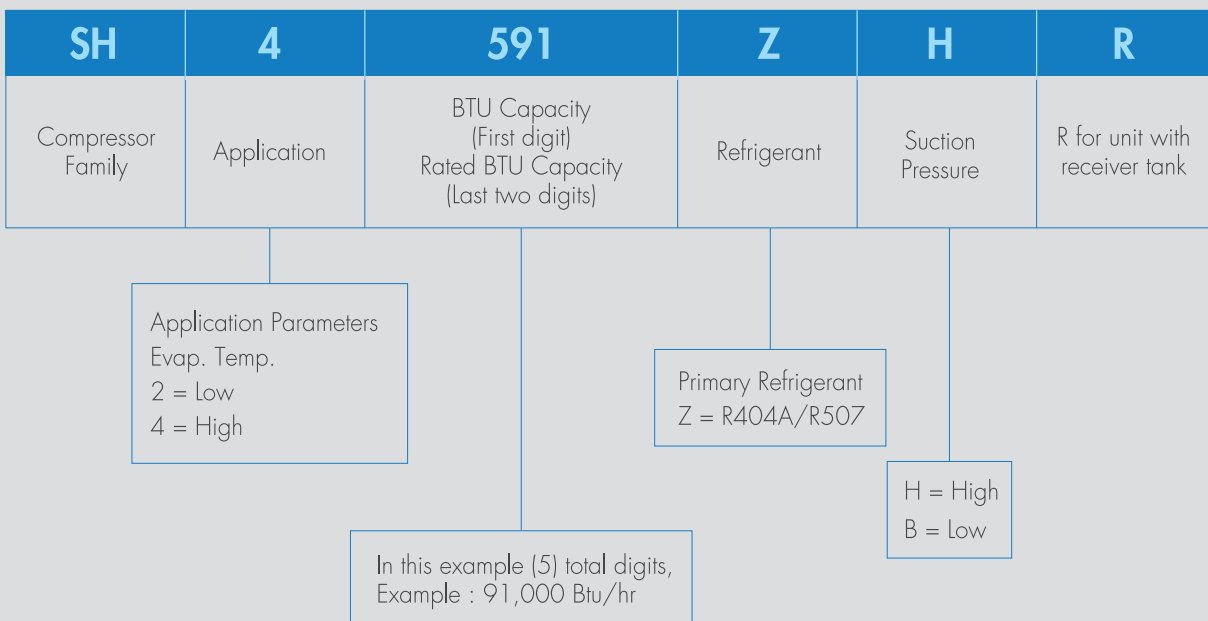
Specification drawing is for reference only, for detail information please refer to our staffs.



| DIMENSION I | | | DIMENSION II | | |
|-------------|------------|-------------|--------------|------------|-------------|
| Height (mm) | Width (mm) | Length (mm) | Height (mm) | Width (mm) | Length (mm) |
| 690 | 690 | 1,600 | 936 | 890 | 1,600 |
| DIMENSION I | | | DIMENSION II | | |
| Height (mm) | Width (mm) | Length (mm) | Height (mm) | Width (mm) | Length (mm) |
| 905 | 1,100 | 1,880 | 1,875 | 1,440 | 1,540 |

| MODEL | CAPACITY (Watt) | | | | | CURRENT (A) | | COP (W/W) | DIAMETER OF CONNECTION | | CONDENSER FAN | | WEIGHT (KG) | DIMENSION | |
|------------|-----------------|---------|---------|---------|---------|--------------|--------------|-----------|------------------------|--------------------|---------------|-----------|-------------|-----------|-----|
| | - 40 °C | - 35 °C | - 30 °C | - 25 °C | - 20 °C | I Nom (Amps) | I Max (Amps) | | SUCTION (mm/Inches) | LIQUID (mm/Inches) | Nos | Dia. (mm) | | | |
| LBP R-404A | SHT2534ZBR | 3520 | 4753 | 6146 | 7692 | 9373 | 11.1 | 16.3 | 1.24 | 34.9 (1"3/8) | 15.9 (5/8") | 2 | 400 | 177.0 | I |
| | SHT2542ZBR | 4398 | 5741 | 7248 | 8915 | 10734 | 12.1 | 16.7 | 1.27 | 34.9 (1"3/8) | 15.9 (5/8") | 2 | 500 | 182.0 | II |
| | SHT2552ZBR | 5523 | 7206 | 9126 | 11286 | 13676 | 15.1 | 21.7 | 1.43 | 34.9 (1"3/8) | 15.9 (5/8") | 2 | 500 | 186.0 | II |
| | SHT2568ZBR | 7061 | 9252 | 11565 | 14031 | 16667 | 18.4 | 26.8 | 1.38 | 34.9 (1"3/8) | 15.9 (5/8") | 2 | 500 | 227.0 | II |
| | SHT2575ZBR | 8074 | 10749 | 13682 | 16920 | 20492 | 23.2 | 33.4 | 1.36 | 41.3 (1"5/8) | 15.9 (5/8") | 2 | 500 | 242.0 | II |
| | SHT2610ZBR | 10557 | 14159 | 18186 | 22624 | 27416 | 29.6 | 42.4 | 1.44 | 41.3 (1"5/8) | 22.2 (7/8") | 3 | 500 | 367.0 | III |
| | SHT2614ZBR | 12551 | 17145 | 22388 | 28186 | 34430 | 37.3 | 47.5 | 1.35 | 54.0 (2"1/8) | 22.2 (7/8") | 4 | 500 | 391.0 | IV |
| | SHT2615ZBR | 14675 | 19757 | 25466 | 31668 | 38213 | 38.0 | 53.2 | 1.39 | 54.0 (2"1/8) | 22.2 (7/8") | 4 | 500 | 416.0 | IV |
| | - 15 °C | - 10 °C | - 5 °C | 0 °C | 5 °C | | | | | | | | | | |
| HBP R-404A | SHT4576ZHR | 9001 | 10780 | 12639 | 14550 | 16483 | 12.9 | 13.9 | 2.57 | 28.6 (1"1/8) | 15.9 (5/8") | 2 | 500 | 177.0 | II |
| | SHT4591ZHR | 10973 | 13177 | 15564 | 18104 | 20759 | 14.9 | 15.0 | 2.68 | 28.6 (1"1/8) | 15.9 (5/8") | 2 | 500 | 177.0 | II |
| | SHT4610ZHR | 12970 | 15504 | 18156 | 20921 | 23835 | 18.9 | 20.3 | 2.40 | 34.9 (1"3/8) | 15.9 (5/8") | 2 | 500 | 182.0 | II |
| | SHT4612ZHR | 14964 | 17755 | 20558 | 23382 | 26328 | 21.1 | 22.7 | 2.25 | 34.9 (1"3/8) | 15.9 (5/8") | 2 | 500 | 186.0 | II |
| | SHT4615ZHR | 17326 | 20766 | 24450 | 28248 | 31995 | 23.2 | 25.1 | 2.37 | 34.9 (1"3/8) | 22.2 (7/8") | 2 | 500 | 232.0 | II |
| | SHT4620ZHR | 23781 | 27812 | 31947 | 36217 | 40749 | 32.6 | 35.1 | 2.29 | 41.3 (1"5/8) | 22.2 (7/8") | 3 | 500 | 232.0 | III |
| | SHT4622ZHR | 25450 | 30067 | 34965 | 40298 | 45858 | 38.5 | 42.4 | 2.60 | 41.3 (1"5/8) | 22.2 (7/8") | 3 | 500 | 320.0 | III |
| | SHT4627ZHR | 28651 | 34049 | 39828 | 45801 | 52020 | 41.6 | 47.5 | 2.36 | 54.0 (2"1/8) | 22.2 (7/8") | 4 | 500 | 372.0 | IV |
| | SHT4632ZHR | 36686 | 43874 | 51692 | 59933 | 68668 | 46.4 | 53.2 | 2.71 | 54.0 (2"1/8) | 22.2 (7/8") | 4 | 500 | 372.0 | IV |

▶ CONDENSING UNIT NOMENCLATURE





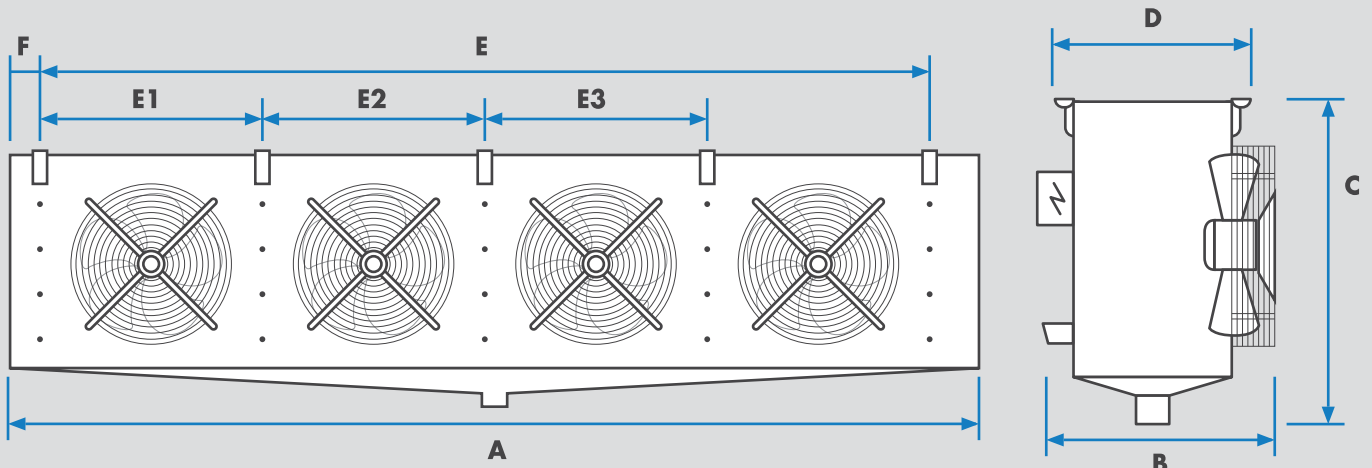
UNIT COOLER

UNIT COOLER [UC]



Dimension Specification for Unit Cooler

Specification drawing is for reference only, for detail information please refer to our staffs.



| MODEL | A | B | C | D | E | E1 | E2 | E2 | F1 | DEFROST METER | | | | | | |
|---------------|------|-----|-----|-----|------|-----|-----|----|-----|---------------|--------|----------|----|-----|--------|--------|
| | | | | | | | | | | Inlet | Outlet | Drainage | | | | |
| TEM-H3.0/15 | 1000 | 440 | 490 | 325 | 780 | - | - | - | 80 | 1/2 | 3/4 | 3/4 | | | | |
| TEM-L2.2/12 | | | | | 910 | | | | | | | | | | | |
| TEM-H4.1/20 | 1130 | 390 | 525 | 345 | 800 | | | | 158 | - | - | | - | 7/8 | | |
| TEM-H4.9/20 | 1115 | | | | | | | | | | | | | | | |
| TEM-L3.0/15 | 1330 | | | | 470 | | | | 630 | 365 | 1060 | | - | - | - | 1" 1/8 |
| TEM-H8.0/40 | 1600 | | | | | | | | | | | | | | | |
| TEM-L5.6/30 | 1920 | 635 | 730 | 435 | 1330 | | | | 800 | 800 | - | | 95 | 5/8 | 1" 1/4 | 1" |
| TEM-H11.2/55 | | | | | 1650 | | | | | | | | | | | |
| TEM-L7.5/40 | | | | | 1600 | | | | | | | | | | | |
| TEM-H16.2/80 | | | | | 1920 | | | | | | | | | | | |
| TEM-L11.2/60 | 2720 | 635 | 730 | 435 | 2450 | 800 | 800 | - | 95 | 3/4 | 1" 1/2 | 1" | | | | |
| TEM-H21.3/105 | | | | | 1650 | | | | | | | | | | | |
| TEM-L14.9/80 | | | | | 1600 | | | | | | | | | | | |
| TEM-H25.0/125 | | | | | 1920 | | | | | | | | | | | |
| TEM-L18.7/100 | 3520 | 725 | 830 | 525 | 3250 | 800 | 800 | - | 95 | 7/8 | 1" 7/8 | 1" 1/2 | | | | |
| TEM-H32.6/160 | | | | | 2450 | | | | | | | | | | | |
| TEM-L22.4/120 | | | | | 1650 | | | | | | | | | | | |
| TEM-H37.6/185 | | | | | 1920 | | | | | | | | | | | |
| TEM-L26.2/140 | | | | | 1600 | | | | | | | | | | | |
| TEM-H42.7/210 | 3520 | 725 | 830 | 525 | 3250 | 800 | 800 | - | 95 | 7/8 | 1" 7/8 | 1" 1/2 | | | | |
| TEM-L30.0/160 | 3520 | 725 | 830 | 525 | 3250 | 800 | 800 | - | 95 | 7/8 | 1" 7/8 | 1" 1/2 | | | | |
| TEM-H30.0/160 | 3520 | 725 | 830 | 525 | 3250 | 800 | 800 | - | 95 | 7/8 | 1" 7/8 | 1" 1/2 | | | | |

Features & Performance

Correction Factor of nominal capacity kW (R404A) for different room temperatures and TD (F1)

| ΔT [K] | | | | | | | | | | | | | | | | | |
|--------|------|------|------|------|------|------|------|------|------|------|------|------|------|------|------|------|------|
| 10 | 1.09 | 1.09 | 1.10 | 1.13 | 1.16 | 1.19 | 1.22 | 1.25 | 1.29 | 1.34 | 1.38 | 1.42 | 1.47 | 1.47 | 1.47 | 1.47 | 1.47 |
| 9 | 0.98 | 0.98 | 0.99 | 1.02 | 1.04 | 1.07 | 1.10 | 1.13 | 1.16 | 1.20 | 1.24 | 1.28 | 1.32 | 1.32 | 1.32 | 1.32 | 1.32 |
| 8 | 0.87 | 0.87 | 0.88 | 0.90 | 0.93 | 0.95 | 0.98 | 1.00 | 1.04 | 1.07 | 1.10 | 1.14 | 1.17 | 1.17 | 1.17 | 1.17 | 1.17 |
| 7 | 0.76 | 0.76 | 0.77 | 0.79 | 0.81 | 0.83 | 0.85 | 0.88 | 0.91 | 0.94 | 0.97 | 1.00 | 1.03 | 1.03 | 1.03 | 1.03 | 1.03 |
| 6 | 0.65 | 0.65 | 0.66 | 0.68 | 0.70 | 0.71 | 0.73 | 0.75 | 0.78 | 0.80 | 0.83 | 0.85 | 0.88 | 0.88 | 0.88 | 0.88 | 0.88 |
| 5 | 0.54 | 0.54 | 0.55 | 0.57 | 0.58 | 0.60 | 0.61 | 0.63 | 0.65 | 0.67 | 0.69 | 0.71 | 0.73 | 0.73 | 0.73 | 0.73 | 0.73 |
| 4 | 0.44 | 0.44 | 0.44 | 0.45 | 0.46 | 0.48 | 0.49 | 0.50 | 0.52 | 0.54 | 0.55 | 0.57 | 0.59 | 0.59 | 0.59 | 0.59 | 0.59 |
| °C | -35 | -30 | -25 | -20 | -15 | -10 | -5 | 0 | 1 | 2 | 3 | 4 | 5 | 6 | 8 | 10 | 12 |

Correction Factor for Refrigerants (F2)

| T. Room (°C) | -35 | -30 | -25 | -20 | -15 | -10 | -5 | 0 | 1 | 2 | 3 | 4 | 5 | 6 | 8 | 10 | 12 |
|--------------|------|------|------|------|------|------|------|------|------|------|------|------|------|------|------|------|------|
| R22 | 0.95 | 0.95 | 0.95 | 0.95 | 0.95 | 0.95 | 0.95 | 0.95 | 0.95 | 0.95 | 0.95 | 0.95 | 0.95 | 0.95 | 0.95 | 0.95 | 0.95 |
| R134a | - | - | - | - | 0.86 | 0.88 | 0.89 | 0.91 | 0.91 | 0.91 | 0.92 | 0.92 | 0.92 | 0.92 | 0.93 | 0.93 | 0.93 |
| R404A | 1.00 | 1.00 | 1.00 | 1.00 | 1.00 | 1.00 | 1.00 | 1.00 | 1.00 | 1.00 | 1.00 | 1.00 | 1.00 | 1.00 | 1.00 | 1.00 | 1.00 |

| EASY PACK MODELS | UNIT COOLER MODELS | SEMI-HERMETIC | UNIT COOLER MODELS |
|----------------------------------|--------------------|---------------|--------------------|
| High Back Pressure Models | | | |
| EPS/EP H4517Z | TEMH-3.0/15 | SHT4576ZHR | TEMH-16.2/80 |
| EPS/EP H4519Z | TEMH-4.1/20 | SHT4591ZHR | TEMH-16.2/80 |
| EPS/EP H4524Z | TEMH-4.1/20 | SHT4610ZHR | TEMH-21.3/105 |
| EPS/EP H4531Z | TEMH-4.9/20 | SHT4612ZHR | TEMH-21.3/105 |
| EPS/EP H4540Z | TEMH-8.0/40 | SHT4615ZHR | TEMH-25.0/125 |
| EP H4546Z | TEMH-8.0/40 | SHT4620ZHR | TEMH-32.6/160 |
| EP H4553Z | TEMH-8.0/40 | SHT4622ZHR | TEMH-37.6/185 |
| EP H4561Z | TEMH-11.2/55 | SHT4627ZHR | TEMH-42.7/210 |
| EP H4568Z | TEMH-11.2/55 | SHT4632ZHR | TEMH-57.4/280 |
| EP H4573Z | TEMH-11.2/55 | - | - |
| EP H4581Z | TEMH-11.2/55 | - | - |
| Low Back Pressure Models | | | |
| EPS/EP L2480Z | TEML-2.2/12 | SHT 2534 ZBR | TEML-7.5/40 |
| EPS/EP L2511Z | TEML-3.0/15 | SHT 2542 ZBR | TEML- 11.2/60 |
| EP L2513Z | TEML-5.6/30 | SHT 2552 ZBR | TEML- 11.2/60 |
| EP L2516Z | TEML-5.6/30 | SHT 2568 ZBR | TEML-14.9/80 |
| EP L2522Z | TEML-5.6/30 | SHT 2575 ZBR | TEML-18.7/100 |
| EP L2525Z | TEML-5.6/30 | SHT 2610 ZBR | TEML-22.4/120 |
| - | - | SHT 2614 ZBR | TEML-26.2/140 |
| - | - | SHT 2615 ZBR | TEML-30.0/160 |

CT = Nominal Capacity x F1 x F2

- CT Heat Load
- F1 Correction factor of nominal capacity
- F2 Correction factor for refrigerants

UNIT COOLER [UC]

| MODEL | NOMINAL CAPACITY | | FAN MOTOR | | | | | DEFROST HEATER | | | WEIGHT (KG) | |
|------------|------------------|--------|-----------|-----------------|---------------------------------|-----------------|----------|----------------|----------------|----------|-------------|-----|
| | W | Btu/hr | Nos | Dia Φ (mm) | Air Volume (m ³ /hr) | Motor Power (w) | Volt (v) | Coil (kW) | Drain Pan (kW) | Volt (v) | | |
| LBP R-404A | TEM-L-2.2/12 | 2813 | 9599 | 2 | Φ 300 | 2 x 1650 | 2 x 75 | 220 | 1.50 | 0.82 | 220 | 27 |
| | TEM-L-3.0/15 | 3836 | 13090 | 2 | Φ 300 | 2 x 1650 | 2 x 75 | 220 | 2.94 | 1.06 | 220 | 45 |
| | TEM-L-5.6/30 | 7161 | 24434 | 2 | Φ 400 | 2 x 3400 | 2 x 180 | 220 | 2.10 | 1.11 | 220 | 65 |
| | TEM-L-7.5/40 | 9591 | 32724 | 2 | Φ 400 | 2 x 3400 | 2 x 180 | 220 | 2.58 | 1.35 | 220 | 73 |
| | TEM-L-11.2/60 | 14322 | 48868 | 2 | Φ 500 | 2 x 6300 | 2 x 550 | 380 | 6.20 | 1.72 | 220 | 115 |
| | TEM-L-14.9/80 | 19054 | 65011 | 2 | Φ 500 | 2 x 6300 | 2 x 550 | 380 | 6.20 | 1.72 | 220 | 125 |
| | TEM-L-18.7/100 | 23913 | 81591 | 3 | Φ 500 | 3 x 6300 | 3 x 550 | 380 | 9.08 | 2.44 | 220 | 170 |
| | TEM-L-22.4/120 | 28645 | 97735 | 3 | Φ 500 | 3 x 6300 | 3 x 550 | 380 | 9.08 | 2.44 | 220 | 180 |
| | TEM-L-26.2/140 | 33504 | 114315 | 4 | Φ 500 | 4 x 6300 | 4 x 550 | 380 | 11.96 | 3.02 | 220 | 210 |
| | TEM-L-30.0/160 | 38363 | 130895 | 4 | Φ 500 | 4 x 6300 | 4 x 550 | 380 | 11.96 | 3.02 | 220 | 240 |
| HBP R-404A | TEM+H-3.0/15 | 3409 | 11632 | 2 | Φ 300 | 2 x 1650 | 2 x 75 | 220 | 1.50 | 0.82 | 220 | 30 |
| | TEM+H-4.1/20 | 4659 | 15899 | 2 | Φ 300 | 2 x 1650 | 2 x 75 | 220 | 1.80 | 0.94 | 220 | 37 |
| | TEM+H-4.9/20 | 5568 | 18999 | 2 | Φ 300 | 2 x 1650 | 2 x 75 | 220 | 1.96 | 1.06 | 220 | 49 |
| | TEM+H-8.0/40 | 9091 | 31018 | 2 | Φ 400 | 2 x 3400 | 2 x 180 | 220 | 2.10 | 1.11 | 220 | 68 |
| | TEM+H-11.2/55 | 12727 | 43452 | 2 | Φ 400 | 2 x 3400 | 2 x 180 | 220 | 2.58 | 1.35 | 220 | 77 |
| | TEM+H-16.2/80 | 18409 | 62812 | 2 | Φ 500 | 2 x 6300 | 2 x 550 | 380 | 4.65 | 1.72 | 220 | 120 |
| | TEM+H-21.3/105 | 24205 | 82586 | 2 | Φ 500 | 2 x 6300 | 2 x 550 | 380 | 4.65 | 1.72 | 220 | 132 |
| | TEM+H-25.0/125 | 28409 | 96932 | 3 | Φ 500 | 3 x 6300 | 3 x 550 | 380 | 6.81 | 2.44 | 220 | 182 |
| | TEM+H-32.6/160 | 37045 | 126399 | 3 | Φ 500 | 3 x 6300 | 3 x 550 | 380 | 6.81 | 2.44 | 220 | 193 |
| | TEM+H-37.6/185 | 42727 | 145785 | 4 | Φ 500 | 4 x 6300 | 4 x 550 | 380 | 8.97 | 3.02 | 220 | 230 |
| | TEM+H-42.7/210 | 48523 | 165560 | 4 | Φ 500 | 4 x 6300 | 4 x 550 | 380 | 8.97 | 3.02 | 220 | 260 |
| | TEM+H-57.4/280 | 65227 | 222555 | 4 | Φ 500 | 4 x 6300 | 4 x 550 | 380 | 12.04 | 3.02 | 220 | 290 |

Nominal capacity rated at room temperature of 0 deg C, Delta T of 8K