

Compressors ZMC, EGL70AT, 1/5Hp, 1Ph,  
GL70AT, R-134a, standard Efficiency,  
220-240V 50Hz, Cubigel Compressor,  
Cubigel, RSIR, LBP – LST – S, no  
Starting capacitor

Category: compressor

written by [www.mbsm.pro](http://www.mbsm.pro) | 19 December 2020



Private Picture Copyright: [WWW.MBSM.PRO](http://WWW.MBSM.PRO)



Private Picture Copyright : [WWW.MBSM.PRO](http://WWW.MBSM.PRO)

**G L Y 60 R A a**

Indicates refrigerant.

**G** = R134a      **N** = R290  
**M** = R404A/R507    **H** = R600a

Indicates compressor range (overall design).

**L** = 4.5 - 10.7cm<sup>3</sup>    **X** = 16.0 - 23.0cm<sup>3</sup>  
**U** = 4.5 - 8.9cm<sup>3</sup>    **P** = 12.0 - 18.0cm<sup>3</sup>    **S** = 18.0 - 38.0cm<sup>3</sup>

Indicates energy efficiency level. Not appearing in case of Standard efficiency.

**Blank** = Standard Efficiency      **T** = Top Efficiency - Run Capacitor  
**C** = Enhance Efficiency            **RSCR** or **CSR**  
**M** = Medium                            **S** = Super Efficiency - Run Capacitor  
**Y** = High Efficiency - Run Capacitor    Optional **RSIR/RSCR** or **CSIR/CSR**  
Optional **RSIR/RSCR** or **CSIR/CSR**

Indicates approximate compressor displacement under the following rule:

**U / L** ranges 10 times the approx. displacement in cm<sup>3</sup>/rev (GL90TB -> approx 9 cm<sup>3</sup>/rev)  
**P / X / S** ranges The approx. displacement in cm<sup>3</sup>/rev (MX21TG -> approx 21 cm<sup>3</sup>/rev)

Indicates the starting torque, application type and compressor cooling:

**A** = LBP - LST - S      **L** = LBP - HST - Fan (Current Relay)      **R** = HMBP - HST - FAN  
**C** = LBP - LST - FAN    **M** = HMBP - LST/HST - S/FAN            (CSR versions with Current Relay)  
**D** = LBP - HST - S      **N** = LMBP - LST/HST - S/FAN            **T** = HMBP - HST - FAN  
**F** = LBP - HST - FAN    **P** = HMBP - LST - FAN                    (CSR versions with Potential Relay)

Indicates the rated voltage:

**A** = **220-240V 50Hz**                                    **G** = 200-220V 50Hz / 220-230V 60Hz  
**B** = 220-240V 50Hz (standard efficiency)    **J** = 100V 50/60Hz  
**C** = 220-240V 50Hz (top efficiency)          **N** = 200-220V 50Hz or 200-240V 50Hz /



Private Picture Copyright : [WWW.MBSM.PRO](http://WWW.MBSM.PRO)

GD40AA	4.06	1/10	LBP	S	220-240V 50Hz ~1	RSIR	P	C	34	50	<b>70</b>	<b>0.77</b>	155	<b>82</b>	<b>1.00</b>	6.1	Dd
GD40AF	4.06	1/10	LBP	S	200-220/220-230V 50/60Hz ~1	RSIR	P	C	31	47	<b>66</b>	<b>0.67</b>	147	<b>78</b>	<b>0.88</b>	6.8	Dd
GLY45AAa	4.56	1/8	LBP	S	220-240V 50Hz ~1	RSIR	P	C	47	65	<b>89</b>	<b>1.01</b>	192	<b>104</b>	<b>1.30</b>	8.7	Lb
GLY45AAb	4.56	1/8	LBP	S	220-240V 50Hz ~1	RSCR	P	C	48	66	<b>90</b>	<b>1.05</b>	193	<b>105</b>	<b>1.36</b>	8.7	Lb
GL45AAa	4.56	1/8	LBP	S	220-240V 50Hz ~1	RSIR	P	C	37	57	<b>81</b>	<b>0.81</b>	184	<b>96</b>	<b>1.06</b>	7.9	Lb
GL45AAb	4.56	1/8	LBP	S	220-240V 50Hz ~1	CSIR	R	C-V	37	57	<b>81</b>	<b>0.81</b>	184	<b>96</b>	<b>1.06</b>	7.9	Lb
GL45AF	4.56	1/8	LBP	S	200-220/220-230V 50/60Hz ~1	RSIR	P	C	36	56	<b>80</b>	<b>0.74</b>	184	<b>95</b>	<b>0.97</b>	8.4	Lb
GL45AAa	4.56	1/8	LBP	S	200-240/220-230V 50/60Hz ~1	RSIR	P	C	36	56	<b>80</b>	<b>0.78</b>	184	<b>95</b>	<b>1.03</b>	8.4	Lb
GLY55AAa	5.46	1/7	LBP	S	220-240V 50Hz ~1	RSIR	P	C	53	78	<b>108</b>	<b>1.03</b>	238	<b>127</b>	<b>1.33</b>	8.7	Lb
GLY55AAb	5.46	1/7	LBP	S	220-240V 50Hz ~1	RSCR	P	C	54	78	<b>109</b>	<b>1.09</b>	239	<b>128</b>	<b>1.40</b>	8.7	Lb
GLY60AAa	5.98	1/6	LBP	S	220-240V 50Hz ~1	RSIR	P	C	58	85	<b>119</b>	<b>1.03</b>	255	<b>139</b>	<b>1.34</b>	8.7	Lb
GLY60AAb	5.98	1/6	LBP	S	220-240V 50Hz ~1	RSCR	P	C	58	86	<b>120</b>	<b>1.10</b>	256	<b>140</b>	<b>1.42</b>	8.7	Lb
GL60AAa	5.98	1/6	LBP	S	220-240V 50Hz ~1	RSIR	P	C	50	75	<b>107</b>	<b>0.85</b>	239	<b>126</b>	<b>1.10</b>	8.4	Lb
GL60AAb	5.98	1/6	LBP	S	220-240V 50Hz ~1	CSIR	R	C-V	50	75	<b>107</b>	<b>0.85</b>	239	<b>126</b>	<b>1.10</b>	8.4	Lb
GL60AF	5.98	1/6	LBP	S	200-220/220-230V 50/60Hz ~1	RSIR	P	C	57	81	<b>113</b>	<b>0.82</b>	245	<b>132</b>	<b>1.07</b>	9.1	Lb
GL60AAa	5.98	1/6	LBP	S	200-240/220-230V 50/60Hz ~1	RSIR	P	C	57	82	<b>114</b>	<b>0.83</b>	244	<b>133</b>	<b>1.09</b>	9.1	Lc
GL60AAb	5.98	1/6	LBP	F	200-240/220-230V 50/60Hz ~1	CSIR	R	C-V	57	82	<b>114</b>	<b>0.83</b>	244	<b>133</b>	<b>1.09</b>	9.1	Lc
GL60AAc	5.98	1/6	LBP	S	200-240/220-230V 50/60Hz ~1	CSIR	R	C-V	57	82	<b>114</b>	<b>0.83</b>	244	<b>133</b>	<b>1.09</b>	9.1	Lc
GL60AAd	5.98	1/6	LBP	OC	200-240/220-230V 50/60Hz ~1	RSIR	P	C	57	82	<b>114</b>	<b>0.83</b>	244	<b>133</b>	<b>1.09</b>	9.2	Lc
GLY70AAa	6.65	1/5	LBP	S	220-240V 50Hz ~1	RSIR	P	C	70	96	<b>132</b>	<b>1.05</b>	288	<b>154</b>	<b>1.36</b>	9.7	Lb
GLY70AAb	6.65	1/5	LBP	S	220-240V 50Hz ~1	RSCR	P	C	71	97	<b>133</b>	<b>1.12</b>	289	<b>155</b>	<b>1.44</b>	9.7	Lb
GL70AA	6.65	1/5	LBP	S	220-240V 50Hz ~1	RSIR	P	C	58	86	<b>121</b>	<b>0.87</b>	268	<b>142</b>	<b>1.12</b>	8.8	Lc
GL70AAa	6.65	1/5	LBP	S	200-220/220-230V 50/60Hz ~1	RSIR	P	C	70	95	<b>129</b>	<b>0.83</b>	278	<b>151</b>	<b>1.08</b>	9.4	Lc
GL70AAb	6.65	1/5	LBP	F	200-220/220-230V 50/60Hz ~1	CSIR	R	C-V	70	95	<b>129</b>	<b>0.83</b>	278	<b>151</b>	<b>1.08</b>	9.4	Lc
GL70AAc	6.65	1/5	LBP	S	200-220/220-230V 50/60Hz ~1	CSIR	R	C-V	70	95	<b>129</b>	<b>0.83</b>	278	<b>151</b>	<b>1.08</b>	9.4	Lc
GL70AAd	6.65	1/5	LBP	OC	200-220/220-230V 50/60Hz ~1	RSIR	P	C	70	96	<b>129</b>	<b>0.83</b>	278	<b>151</b>	<b>1.08</b>	9.5	Ld
GLY75AAa	7.38	1/5	LBP	S	220-240V 50Hz ~1	RSIR	P	C	74	107	<b>147</b>	<b>1.06</b>	311	<b>172</b>	<b>1.36</b>	9.9	Lc
GLY75AAb	7.38	1/5	LBP	S	220-240V 50Hz ~1	RSCR	P	C	76	108	<b>147</b>	<b>1.12</b>	312	<b>172</b>	<b>1.44</b>	9.9	Lc
GL75AA	7.38	1/5	LBP	S	220-240V 50Hz ~1	RSIR	P	C	68	95	<b>132</b>	<b>0.91</b>	296	<b>155</b>	<b>1.18</b>	9.0	Lc
GLY80AAa	8.10	1/5	LBP	S	220-240V 50Hz ~1	RSCR	P	C	80	120	<b>164</b>	<b>1.07</b>	340	<b>191</b>	<b>1.37</b>	10.6	Lc

Private Picture Copyright: WWW.MBSM.PRO

### Model: GL70AA

#### General data

Refrigerant:	R134a
Discharge element:	C
Cooling:	S
Maximum ambient temperature [°C]:	43

#### Compressor's data

Cylinder capacity [cm <sup>3</sup> ]:	6,7
Displacement [m <sup>3</sup> /h]:	1,1
Weight [kg]:	9,6
Oil charge [cm <sup>3</sup> ]:	345
Oil type:	ISO VG 19 ESTER

#### Engine's data

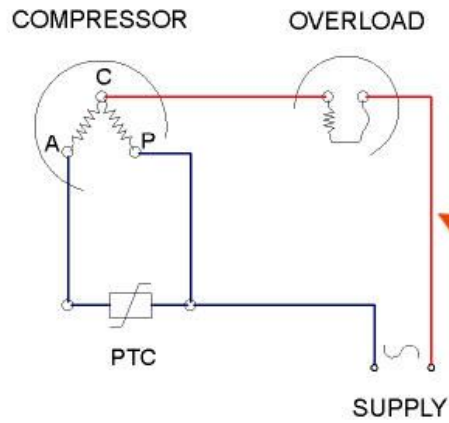
Engine type:	RSIR
Power [KM]:	1/5
Starting element:	LST
Power supply:	220V 50Hz
Voltage range:	187-264
Locked rotor current [A]:	10,9
Running winding resistance (25°C) [Ω]:	12,59
Starting winding resistance (25°C) [Ω]:	22,02

#### Electrical data

Relays:	3003
Shielding element:	MRA38028, T0508, AF18FU
Starting capacitor volume [μF]:	

Private Picture Copyright: WWW.MBSM.PRO

# RSIR



Private Picture Copyright : [WWW.MBSM.PRO](http://WWW.MBSM.PRO)

## R134a

Model	Refr.	HP	Ambient Temp C	Rated Voltage	Cooling Capacity		COP without RC		COP with RC	
					ASHRAE -23.3°C kcal/h	CECOMAF -25°C W	ASHRAE -23.3°C W/W	CECOMAF -25°C W/W	ASHRAE -23.3°C W/W	CECOMAF -25°C W/W
GL45AA	LBP-R134a	1.0	43	A	96	82	1.06	0.82		
GL45AH	LBP-R134a	1.0	50	C	96	81	1.05	0.8		
GL60AA	LBP-R134a	1.6	43	A	132	114	1.14	0.89		
GL60AF	LBP-R134a	1.6	43	D	132	113	1.07	0.82		
GL60AH	LBP-R134a	1.6	43	A	133	114	1.31	1.01		
GL60AN	LBP-R134a	1.6	50	C	132	114	1.07	0.83		
GL70AA	LBP-R134a	1.5	43	A	140	128	1.18	0.92		
GL70AH	LBP-R134a	1.5	50	D	150	129	1.08	0.83		
GL70AT	LBP-R134a	1.5	43	E	144	122	1.09	0.84		
GL75AA	LBP-R134a	1.5	43	A	155	133	1.18	0.92		
GL80AA	LBP-R134a	1.5	43	A	173	148	1.10	0.83		
GL80AF	LBP-R134a	1.5	43	D	166	141	1.14	0.88		
GL80AH	LBP-R134a	1.5	43	A	175	150	1.35	1.06		
GL80AN	LBP-R134a	1.4	43	A	196	168	1.36	1.06		
GL90AA	LBP-R134a	1.4	43	A	195	167	1.10	0.93		
GL90AH	LBP-R134a	1.4	43	A	217	182	1.30	1.06		
GL90AN	LBP-R134a	1.4	50	D	190	169	1.1	0.85		
GL90AT	LBP-R134a	1.4	43	E	190	161	1.19	0.92		
GL99AA	LBP-R134a	1.4	43	A	214	182	1.24	0.96		
GL99AH	LBP-R134a	1.4	43	A	215	182	1.30	1.06		
GL80AD	LBP-R134a	1.5	43	W	0	0	0	0		
GL90AD	LBP-R134a	1.4	43	W	0	0	0	0		



Private Picture Copyright : [WWW.MBSM.PRO](http://WWW.MBSM.PRO)

**ZMC**

**EGL70AT 0707**

200-220V-50HZ

**R 134 a**

MADE IN EGYPT



3 412

1387458

# Samsung, Compressor, MSV488A-L1R, Blcdc, Inverter, Samsung Inverter, R600a, 1/6Hp, Ipm 8.82CC, 115/220V, Stai ( MSV488AL1R, TT1 )

Category: compressor

written by [www.mbsm.pro](http://www.mbsm.pro) | 19 December 2020

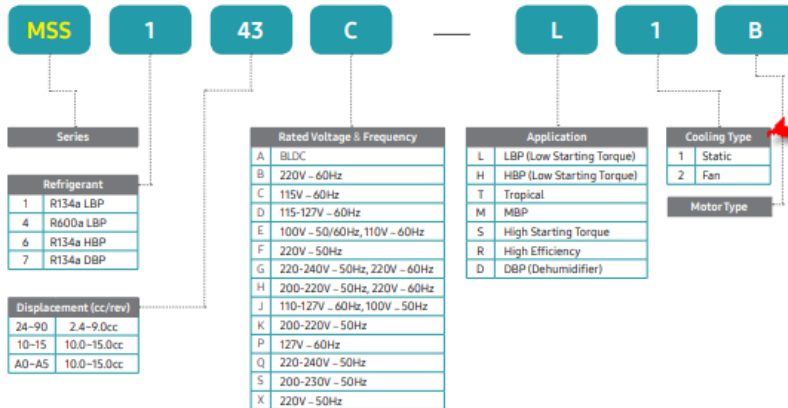






### 1) Compressor model identification

Ver. 01 Series | CD, MSS, MSA, MSE, ENV, MSV



Private Picture Copyright : WWW.MBSM.PRO

Mbsm\_dot\_pro\_private\_PDF\_compressor-catalogue-2015-1Télécharger

Mbsm\_dot\_pro\_private\_PDF\_SAMSUNG-Compressor-Catalogue-2018Télécharger

**MK 1 62 Q - L 1 U A**

① ② ③ ④ ⑤ ⑥ ⑦ ⑧

### 1) Compressor model identification

NUMBER	MEANING
①	Series CD, SD, MD, SK, MK, HK, MSS, MSA, MSE, ENV, MKV, MSV
②	Refrigerant 1 : R134a (LBP) 4 : R600a (LBP) 6 : R134a (HBP)
③	Displacement (cc/Rev.) x 10 24 : 2.40cc, 30 : 2.93cc, 37 : 3.71cc, 43 : 4.38cc, 50 : 5.21cc, 51 : 5.12cc, 52 : 5.21cc, 60 : 6.16cc, 62 : 6.16cc, 70 : 6.99cc, 72 : 7.21cc, 80 : 8.19cc, 82 : 8.19cc, 83 : 8.19cc, 88 : 8.80cc, 90 : 9.07cc, A1 : 10.68cc, A2 : 12.13cc, A3 : 12.52cc, A5 : 15.32cc
④	Rated voltage and frequency B : 220V ~ 60Hz C : 115V ~ 60Hz D : 115-127V ~ 60Hz E : 100V ~ 50/60Hz G : 220-240V ~ 50Hz, 220V ~ 60Hz H : 200-220V ~ 50Hz, 220V ~ 60Hz K : 200-220V ~ 50Hz P : 127V ~ 60Hz Q : 220-240V ~ 50Hz A : variable for BLDC
⑤	Application L/R/S : Low Back Pressure H : High Back Pressure
⑥	Cooling type 0 : Oil cooling 1 : Static 2 : Fan cooling
⑦	Motor type B/C/X : BLDC S : PTC or Current-CSIR U : PTC-RSCR (Optional RSIR) W : PTC-CSR Y : Current-RSIR Z : PTC-RSIR
⑧	Option



### 2) Serial number

- ① Model code
- ② Production line
- ③ Year : 05 → Y, 06 → L, 07 → P, 08 → Q, 09 → S, 10 → Z, 11 → B, 12 → C, 13 → D, 14 → F, 15 → G
- ④ Month : 1 → Jan, 2 → Feb, ... A → Oct, B → Nov, C → Dec
- ⑤ Serial number

Private Picture Copyright : WWW.MBSM.PRO



SAMSUNG



**DIGITAL  
INVERTER  
TECHNOLOGY**

**10** YEAR - ON THE COMPRESSOR  
**WARRANTY**

**ADVISORY**

**This equipment contains flammable refrigerant**

For more information on the use of flammable refrigerant in domestic refrigerators, visit <http://www.spring.gov.sg/safety>

DA88-C0826A REV10.01

ENERGY EFFICIENCY RATING

**Low**

✓ ✓ ✓ ✓

Annual Energy Cost	Annual Energy Consumption
<b>\$104</b>	<b>384 kWh</b>

Samsung  
RT22FARADSA

Refrigerator-freezer  
Capacity: 234 L

Based on Singaporean test conditions with IEC 62552  
Based on 23°C ambient temperature and 12 hours open door usage  
For more information, visit [www.spring.gov.sg](http://www.spring.gov.sg)  
MELB-SAM-RT120101

**SAMSUNG**

S/N : 51734DAG500342P

MODEL :	RT22FARADSA
RATED VOLTAGE :	230-240 V~
RATED FREQUENCY :	50 Hz
RATED CURRENT :	1.5 A
DEFROSTING INPUT :	(FREEZER : 130 W)
CLIMATIC CLASS OF THE APPLIANCE :	T
INSULATION CLASS OF MOTOR COMPRESSOR WINDING :	130(B)
RATED MAXIMUM INPUT OF LAMP :	(REFRIGERATOR : LED 0.9 W)
NAME OF REFRIGERANT :	R-600a
MASS OF REFRIGERANT :	46 g
NAME OF INSULATION BLOWING GAS :	CYCLOPENTANE
MADE BY SAMSUNG	



**SAFETY  
MARK**

1 2 1 8 1 4 - 1 1



RT22FARADSA/SS REV(0.01)



## WARNING / 警告



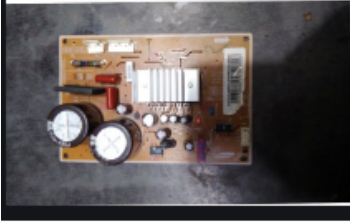
Iso-butane

### Risk of fire or explosion! Flammable refrigerant used.

- Place in well ventilated area to prevent accumulation of refrigerant.
- Repair and disposal must be carried out by trained service personnel.
- No naked flame during servicing or repair.

含有易燃冷却剂! 可导致燃烧或爆炸!  
为防止燃烧或者爆炸, 请注意以下事项:  
1. 在通风处, 以防止冷却剂的累积  
2. 维修必须由专业人员进行  
3. 维修时禁止明火

**inverter PCB testing**    **5V . 12V . 15V.**  
**IPM tasting**



RT22FARADSA/SS

230 V /50 Hz

MSV488AL1R/TT1

BF3, 1.5m

Serial No.

51734DAG500342P



# Compresseur, THB1350YS, R-134a, 1/5HP, 230V, Tecumseh

Category: compressor

written by [www.mbsm.pro](http://www.mbsm.pro) | 19 December 2020



Private Picture Copyright: [WWW.MBSM.PRO](http://WWW.MBSM.PRO)

- Modèle: **THB1350YS**
- Gaz: **R-134a**
- Température/Pression: **Basse Pression**
- Puissance: **1/5 HP**
- Voltage: **230 V**
- Type De Courant: **Monophasé**
- Fréquence: **50 Hz**
- Type De Compresseur: **Hermétique**
- Décalage: **5.2 cm<sup>3</sup>**
- Cons.Énergie -35°C: **76 W**
- Cons.Énergie -25°C: **100 W**
- Cons.Énergie -10°C: **142 W**
- T° De Condensation: **40 °C**
- Capacidad Frigorífica -35°C: **52 Kcal/h**
- Capacidad Frigorífica -30°C: **74 Kcal/h**
- Capacidad Frigorífica -25°C: **102 Kcal/h**
- Capacidad Frigorífica -20°C: **137 Kcal/h**
- Capacidad Frigorífica -15°C: **176 Kcal/h**
- Capacidad Frigorífica -10°C: **223 Kcal/h**
- Tipo Test: **EN.12900**

[Mbsm\\_dot\\_pro\\_private\\_PDF\\_TecumsehTélécharger](#)



Private Picture Copyright: [WWW.MBSM.PRO](http://WWW.MBSM.PRO)

Mbsm\_dot\_pro\_private\_PDF\_Tecumseh1Télécharger

R134a, Hitachi, Compressor, (R012-Series), FL06s34-tab, FL0739-SQ, FL0847-SD, FL1152-SB, FL1257-SR, FL14S62-TAD, FL1568-SQ, FL20S88-TAC, FL1888-SE, CL0545-SZ, CL1297-SA, CL1310-SA, CL1588-DZ, CL1610-DL

Category: compressor

written by [www.mbsm.pro](http://www.mbsm.pro) | 19 December 2020

Code No.	Model	HP	Capacity (W)	Current (A)	Efficiency COP (w/w)	Voltage / Frequency
<b>R134a Models</b>						
R012001	FL 06S34-TAB	1/12	85	0.70	0.93	220V – 240V / 50Hz
R012002	FL 0739-SQ	1/10	114	0.72	1.20	
R012003	FL 0847-SD	1/8	130	0.83	1.19	
R012005	FL 1152-SB	1/6	143	0.82	1.27	
R012006	FL 1257-SR	1/5	160	0.90	1.25	
R012007	FL 14S62-TAD	1/5	175	0.95	1.30	
R012008	FL 1568-SQ	1/4	200	1.11	1.30	
R012009	FL 20S88-TAC	1/3	255	1.50	1.25	
R012010	FL1888-SE	1/3	245	1.51	1.25	
<b>R600a Models</b>						
	CL 0545-SZ	1/12	62	0.70	1.12	220V – 240V / 50Hz
	CL 1297-SA	1/5	156	0.90	1.46	
	CL 1310-SA	1/5+	163	0.95	1.48	
<b>R600a Models (Inverter)</b>						
	CL 1588-DZ	1/6	134	0.83	1.62	220V – 240V / 50Hz
	CL 1610-DL	1/5	160	0.90	1.65	

Private Picture Copyright : WWW.MBSM.PRO

R134a, Hitachi, Compressor, (R012-Series), FL06s34-tab, FL0739-SQ, FL0847-SD, FL1152-SB, FL1257-SR, FL14S62-TAD, FL1568-SQ, FL20S88-TAC, FL1888-SE, CL0545-SZ, CL1297-SA, CL1310-SA, CL1588-DZ, CL1610-DL

Code No.	Model	HP	Capacity (W)	Current (A)	Efficiency COP (w/w)	Voltage / Frequency
<b>R134a Models</b>						
R012001	FL 06S34-TAB	1/12	85	0.70	0.93	220V – 240V / 50Hz
R012002	FL 0739-SQ	1/10	114	0.72	1.20	
R012003	FL 0847-SD	1/8	130	0.83	1.19	
R012005	FL 1152-SB	1/6	143	0.82	1.27	
R012006	FL 1257-SR	1/5	160	0.90	1.25	
R012007	FL 14S62-TAD	1/5	175	0.95	1.30	
R012008	FL 1568-SQ	1/4	200	1.11	1.30	
R012009	FL 20S88-TAC	1/3	255	1.50	1.25	
R012010	FL1888-SE	1/3	245	1.51	1.25	
<b>R600a Models</b>						
	CL 0545-SZ	1/12	62	0.70	1.12	220V – 240V / 50Hz
	CL 1297-SA	1/5	156	0.90	1.46	
	CL 1310-SA	1/5+	163	0.95	1.48	
<b>R600a Models (Inverter)</b>						
	CL 1588-DZ	1/6	134	0.83	1.62	220V – 240V / 50Hz
	CL 1610-DL	1/5	160	0.90	1.65	

Private Picture Copyright : WWW.MBSM.PRO

**FLO6S34**

**85 Watts**

**R134a**

**220V**

**HITACHI**  
Compressor

**LBP**

**100% SATISFACTION GUARANTEE**

**RECIPROCATING COMPRESSOR**

CE RoHS

**1/12HP 220V**

Private Picture Copyright : [WWW.MBSM.PRO](http://WWW.MBSM.PRO)

Hitachi, Freezing, Compressor, R600a, CL1610-DL, INVERTER, 1/5hp, 615BTU / HR /3000RPM, 180W/3000RPM, LBP, 100v 50/60HZ, With oil change

Category: compressor

written by [www.mbsm.pro](http://www.mbsm.pro) | 19 December 2020



**HITACHI**  
Compressor

**CL1610**

**FREEZING**

**180 Watts**

**R600a**

**INVERTER**

**LBP**

**SATISFACTION 100% GUARANTEE**

**RECIPROCATING COMPRESSOR**

**COOLING**

**1/5HP 615BTU**

CE RoHS CB

Private Picture Copyright : [WWW.MBSM.PRO](http://WWW.MBSM.PRO)

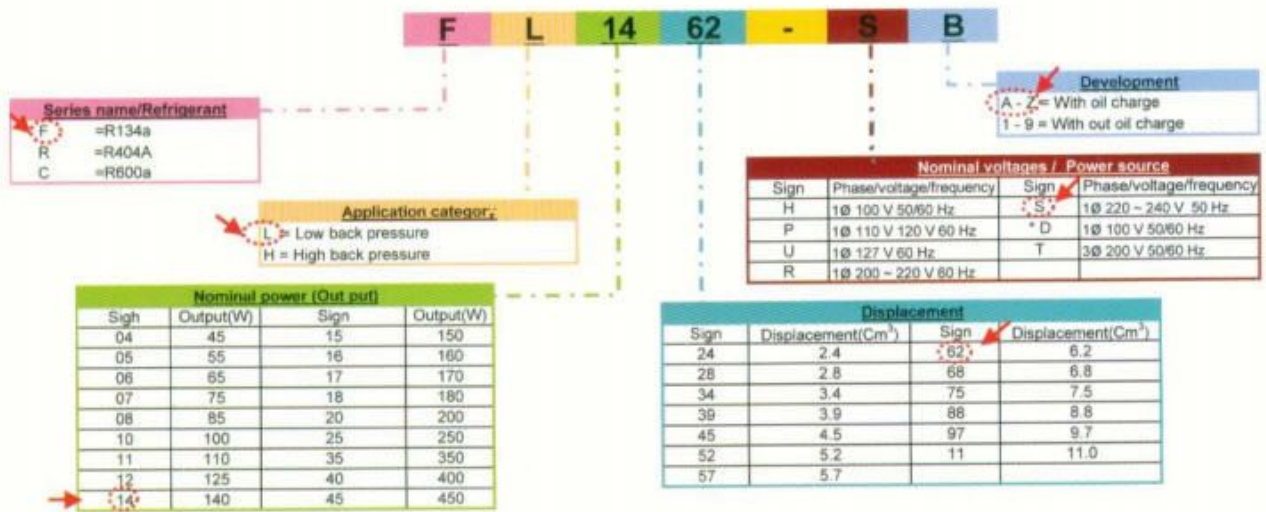
**SPECIFICATION**

MODEL	Curcuit	HP	BTU/HR	WATTS	PRESSRE BACK	CC
CL1610-DL,DY	INVERTER	1/5	615/3000RPM	180/3000RPM	LBP	10.3

LBP = LOW BACK PRESSURE

Private Picture Copyright : [WWW.MBSM.PRO](http://WWW.MBSM.PRO)

# Detail of Label



**Series name/Refrigerant**

F	=R134a
R	=R404A
C	=R800a

**Application category:**

L	= Low back pressure
H	= High back pressure

**Nominal power (Out put)**

Sign	Output(W)	Sign	Output(W)
04	45	15	150
05	55	16	160
06	65	17	170
07	75	18	180
08	85	20	200
10	100	25	250
11	110	35	350
12	125	40	400
14	140	45	450

**Nominal voltages / Power source**

Sign	Phase/voltage/frequency	Sign	Phase/voltage/frequency
H	1Ø 100 V 50/60 Hz	S	1Ø 220 - 240 V 50 Hz
P	1Ø 110 V 120 V 60 Hz	D	1Ø 100 V 50/60 Hz
U	1Ø 127 V 60 Hz	T	3Ø 200 V 50/60 Hz
R	1Ø 200 - 220 V 60 Hz		

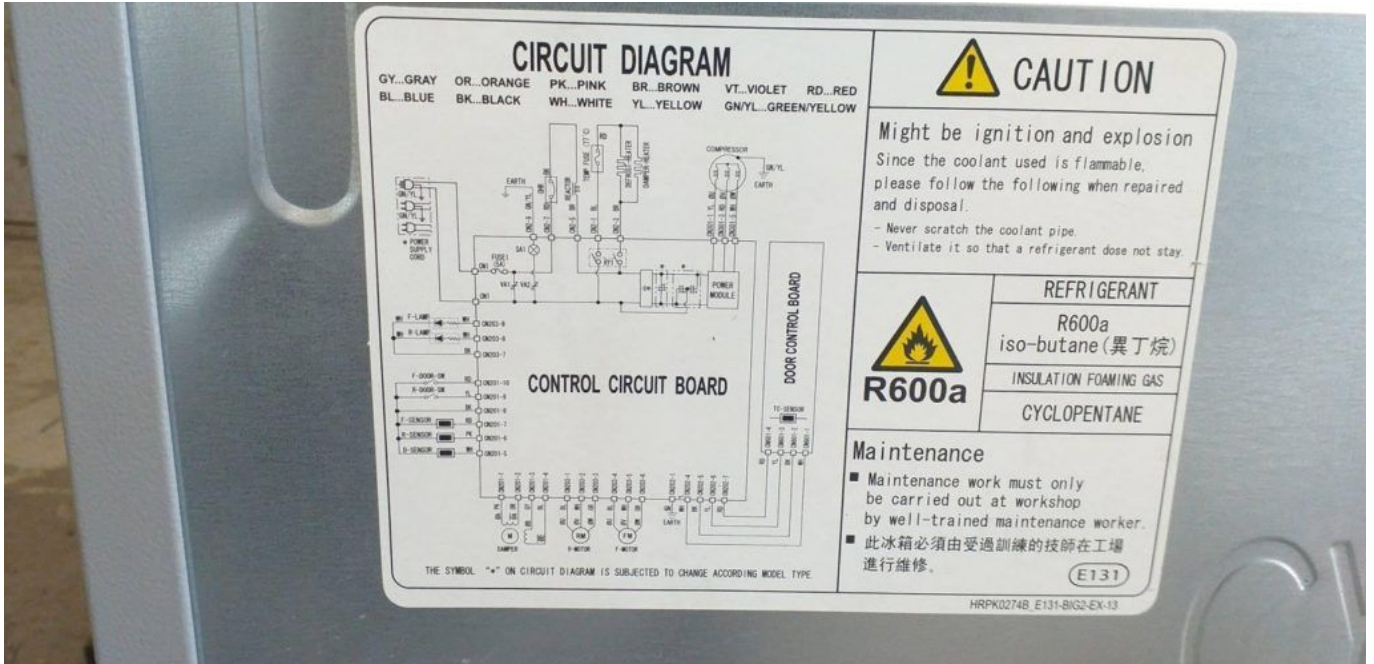
**Displacement**

Sign	Displacement(Cm <sup>3</sup> )	Sign	Displacement(Cm <sup>3</sup> )
24	2.4	62	6.2
28	2.8	68	6.8
34	3.4	75	7.5
39	3.9	88	8.8
45	4.5	97	9.7
52	5.2	11	11.0
57	5.7		

**Development**

A - Z	= With oil charge
1 - 9	= With out oil charge





Private Picture Copyright: WWW.MBSM.PRO



Private Picture Copyright: WWW.MBSM.PRO



Private Picture Copyright: WWW.MBSM.PRO

Code No.	Model	HP	Capacity (W)	Current (A)	Efficiency COP (w/w)	Voltage / Frequency
<b>R134a Models</b>						
R012001	FL 06S34-TAB	1/12	85	0.70	0.93	220V – 240V / 50Hz
R012002	FL 0739-SQ	1/10	114	0.72	1.20	
R012003	FL 0847-SD	1/8	130	0.83	1.19	
R012005	FL 1152-SB	1/6	143	0.82	1.27	
R012006	FL 1257-SR	1/5	160	0.90	1.25	
R012007	FL 14S62-TAD	1/5	175	0.95	1.30	
R012008	FL 1568-SQ	1/4	200	1.11	1.30	
R012009	FL 20S88-TAC	1/3	255	1.50	1.25	
R012010	FL1888-SE	1/3	245	1.51	1.25	
<b>R600a Models</b>						
	CL 0545-SZ	1/12	62	0.70	1.12	220V – 240V / 50Hz
	CL 1297-SA	1/5	156	0.90	1.46	
	CL 1310-SA	1/5+	163	0.95	1.48	
<b>R600a Models (Inverter)</b>						
	CL 1588-DZ	1/6	134	0.83	1.62	220V – 240V / 50Hz
	CL 1610-DL	1/5	160	0.90	1.65	

Private Picture Copyright: WWW.MBSM.PRO



