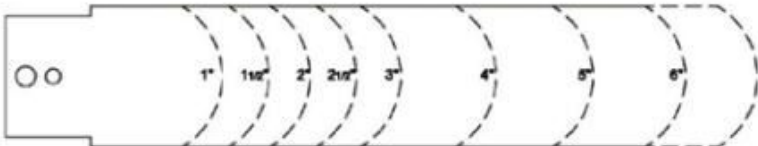


# PDF , HVAC et Refrigeration Parts, Copper, Chemicals, Compressors, Controls, Coils, Fans & Motors, Electronics, Service Tools, Supplies

Category: Solutions,Technologie

written by www.mbsm.pro | 26 May 2020

**Dimension of the paddle (Unit: inch)**



**Application:**

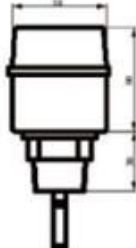
- FSF series flow switches are used in measuring and controlling the flow of the liquid in the pipe, such as water, alcohol, etc., as well as in the places where it needs chain effect or cutout protection.

FSF series flow switches have SPDT switch, full-sealing structure as its shell, and stainless steel as its inside components, which can assure its use in any conditions. FSF-A series flow switches are used for caustic fluid liquid, the materials of FSF-A in contact with the medium is stainless steel.

**Feature:**

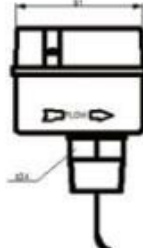
- Ambient temperature: -20~50°C.
- Liquid temperature: -25~120°C.
- Max. liquid pressure: 1.5MPa.
- Approvals: DnV, Det norske Veritas(Norway), CQC(China)CE (Europe).

**FSF50P-1(A)/FSF50P-2(A)/FSF50P-3(A)**



**FSF50P-1SN**

**Our Customers:**



Private Picture Copyright : [WWW.MBSM.PRO](http://WWW.MBSM.PRO)

PDF , HVAC et Refrigeration Parts, Copper, Chemicals, Compressors, Controls, Coils, Fans & Motors, Electronics, Service Tools, Supplies

## TPH1413YKS, R-134a, 220-240V à 50Hz, Tecumseh/Taikang , 271 w , 3/8Hp

Category: Technologie,Tester ok

written by www.mbsm.pro | 26 May 2020



(P)



Tecumseh

14944038

R-134a

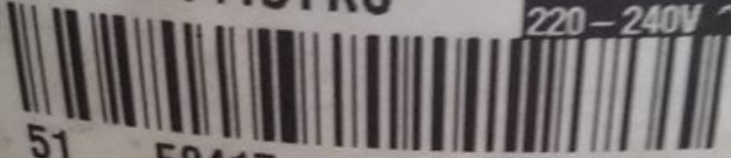
TPH1413YKS

220-240V ~ 50 Hz

LRA: 13

625-10017

(T)

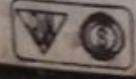


51

E0417

12

154807



THERMALLY PROTECTED  
COUNTRY OF ORIGIN: BRAZIL



Private Picture Copyright : [WWW.MBSM.PRO](http://WWW.MBSM.PRO)

TPH1413YKS, R-134a, 220-240V à 50Hz, Tecumseh/Taikang , 271 w , 3/8Hp

Compressor ,ACC Cubigel ,Huayi  
,Electrolux ,ZEM ,GP16TG, HMBP,R134a,  
200- 220V / 220-230V/1/50/60Hz, 3/8  
HP, displacement 16,15 cm<sup>3</sup>

Category: Technologie,Tester ok  
written by www.mbsm.pro | 26 May 2020



Private Picture Copyright : WWW.MBSM.PRO

Compressor ,ACC Cubigel ,Huayi ,Electrolux ,ZEM ,GP16TG, HMBP,R134a, 200- 220V /  
220-230V/1/50/60Hz, 3/8 HP, displacement 16,15 cm<sup>3</sup>

---

Compressor ,WS85YG, 220 to 240V/50Hz,  
1/8HP ,RSCR , R600

Category: Technologie,Tester ok  
written by www.mbsm.pro | 26 May 2020



Private Picture Copyright : [WWW.MBSM.PRO](http://WWW.MBSM.PRO)

Compressor ,WS85YG, 220 to 240V/50Hz, 1/8HP ,RSCR , R600

Ideal Zanussi Comfort refrigerator ,  
340 L , 17 Feet , Compresseur Cubigel  
,Compresseur ,GL90AA ,R-134a ,1/4HP  
,230V,non frost

Category: Non classé,Technologie,Tester ok  
written by [www.mbsm.pro](http://www.mbsm.pro) | 26 May 2020



Private Picture Copyright : [WWW.MBSM.PRO](http://WWW.MBSM.PRO)

Ideal Zanussi Comfort refrigerator , 340 L , 17 Feet , Compresseur Cubigel  
,Compresseur ,GL90AA ,R-134a ,1/4HP ,230V,non frost


---

QB66C13GAX5 , KIRIAZI Electronic  
,250L (Freezer capacity 64L),  
Panasonic Compressor , 1/5Hp ,165W  
,Low back pressure,R134a,  
RSIR,220-240V/1/50Hz

Category: compressor,Technologie,Tester ok  
written by Jamila | 26 May 2020

V41GX 8814

ME3489960

**QB66C13GAX5 R134a** 

220V ~ 50Hz 1PH  
THERMALLY PROTECTED

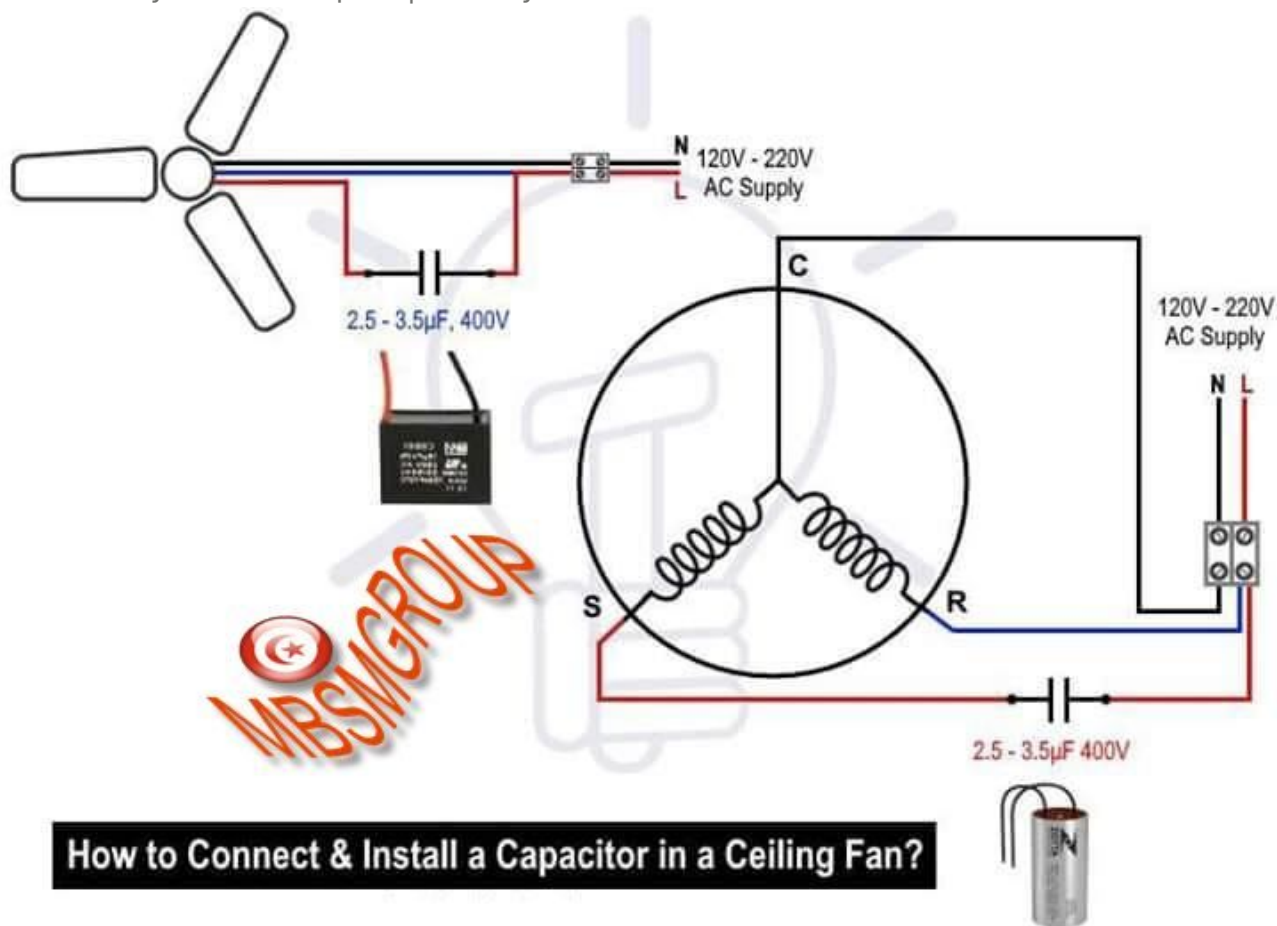
Matsushita Electric Industrial Co., Ltd.  
Manufactured by Panasonic Refrigeration  
Devices Malaysia Sdn. Bhd. Made in Malaysia

QB66C13GAX5 , KIRIAZI Electronic ,250L (Freezer capacity 64L), Panasonic Compressor , 1/5Hp ,165W ,Low back pressure,R134a, RSIR,220-240V/1/50Hz

## How to connect and install a capacitor in a ceiling fan

Category: Technologie

written by www.mbsm.pro | 26 May 2020



**How to Connect & Install a Capacitor in a Ceiling Fan?**

Private Picture Copyright : [WWW.MBSM.PRO](http://WWW.MBSM.PRO)

How to connect and install a capacitor in a ceiling fan

QB77C16GPX5 ,RSIR, Reciprocating Compressors , R134a, LBP ,202 w ,1/4 Hp ,Q Series ,Reciprocating Fixed Speed ,Panasonic

Category: Technologie,Tester ok

written by www.mbsm.pro | 26 May 2020



Private Picture Copyright : [WWW.MBSM.PRO](http://WWW.MBSM.PRO)

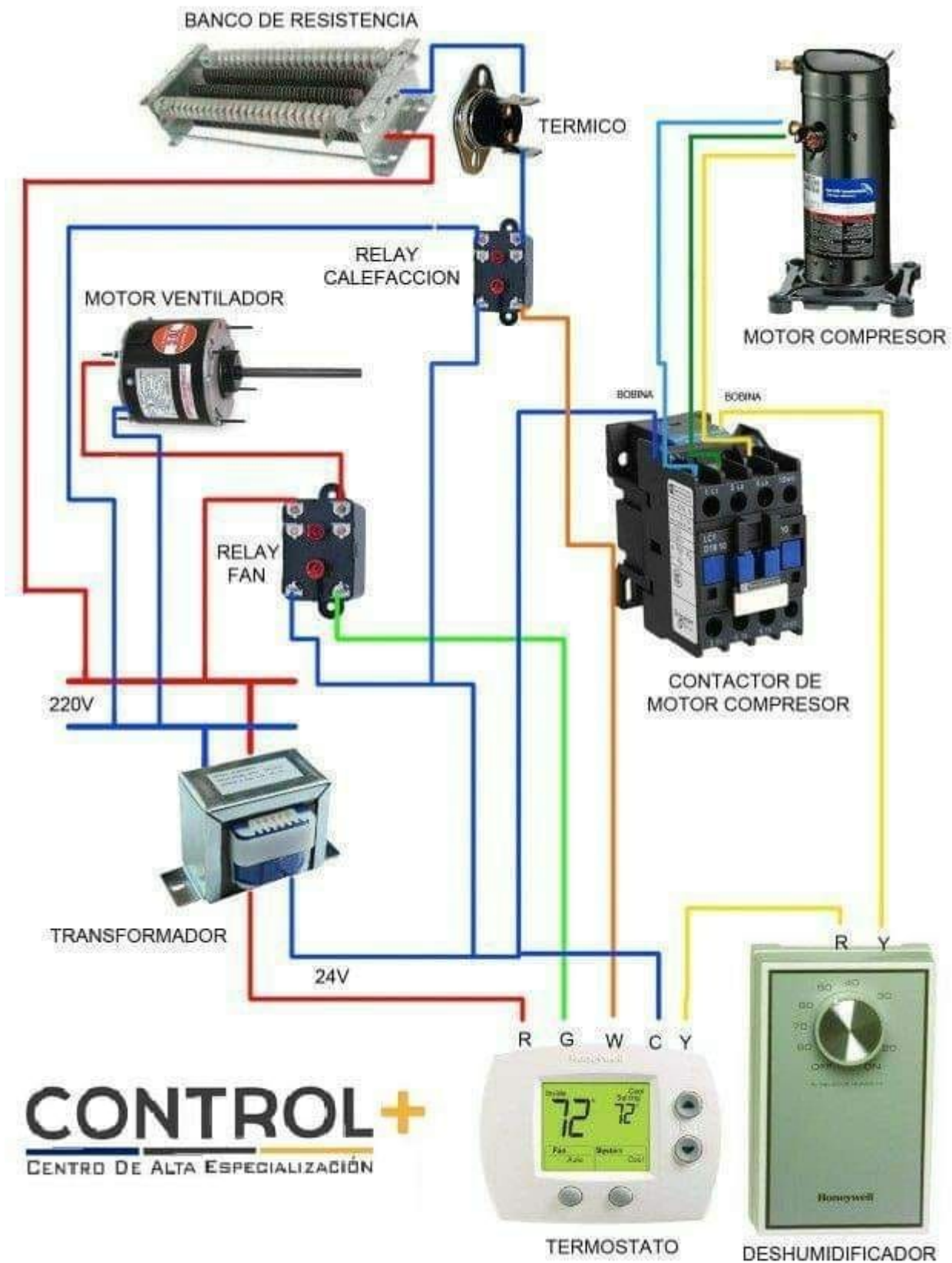
QB77C16GPX5 ,RSIR, Reciprocating Compressors , R134a, LBP ,202 w ,1/4 Hp ,R134a ,Q Series ,Reciprocating Fixed Speed

---

## Centre de Control Système de refroidissement

Category: Technologie

written by [www.mbsm.pro](http://www.mbsm.pro) | 26 May 2020



Private Picture Copyright : [WWW.MBSM.PRO](http://WWW.MBSM.PRO)

Centre de Control Système de refroidissement

# Evacuating and charging process (Domestic split air conditioner)

Category: Technologie

written by [www.mbsm.pro](http://www.mbsm.pro) | 26 May 2020



Private Picture Copyright : [WWW.MBSM.PRO](http://WWW.MBSM.PRO)

Evacuating and charging process (Domestic split air conditioner)