

COMPRESSOR, EMBRACO, 1/4 HP++ (big), 220V, R134A, EGAS 80HLR, FREEZER MOTOR

Category: compressor

written by www.mbsm.pro | 17 December 2021

Technical Specifications

Brand	Embraco
Production place	Brazil
Compressor Type	Hermetic Piston
Compression Line	1/4 "
Working Regime	LBP (-23,3 ° C / + 54,4 ° C)
Frequency (Hz)	50-60
Suction Line	5/16 "
Cooling Capacity (Watts)	195
good kodu	51370117399RA
Compressor Model	EGAS80HLR
Piston Diameter (cm3/rev)	6.36
Tipi Motorcycle	1 FAZ - RSIR
Refrigerant Gas	R134a
Compressor Power(Hp)	1/4 +



Private Picture Copyright : WWW.MBSM.PRO

#mbsmpro

TECHNICAL SPECIFICATIONS

- Voltage: 220V 50 / 60Hz
- Refrigerant: R-134A
- Evaporation temperature range: -35 ° C to -10 ° C
- Power: 1/4 +

[Mbsm_dot_pro_private_PDF_pdf_embraco-compressor-egas-80-hlr](#) Télécharger




Private Picture Copyright : WWW.MBSM.PRO

Compressor, Embraco, EMX20CLC, High-quality, compressor Aspera, EMX20CLC, LBP R600a, 220-240V 50Hz, 3.97 cm³, 1/12HP

Category: compressor

written by www.mbsm.pro | 17 December 2021

Model EMX20CLC Code 513309529...S		embraco POWER IN. CHANGE ON.
220V 60 1~		GENERAL DATA
MECHANICAL DATA		ELECTRICAL DATA
Bore: 19 mm Stroke: 14 mm Oil Charge: 180ml Oil Type Configuration: ALQUILB Oil Type Viscosity: ISO5 Weight: 7.88 kg		Application: LBP Refrigerant: R600a Evaporating Temperature Range: -35°C to -10°C Compressor Cooling: Static Type: Hermetic reciprocating Technology Type: On-Off Expansion Device: Capillary Tube Packing Quantity: 100 Displacement: 3.97 cm ³ Horse power: 1/12 hp Approvals:
		Motor Type: RSCR Starting Torque: LST Voltage working range at 50 Hz: 198-242 V Voltage working range at 60 Hz: 198-242 V Maximum Motor Temperature: 130 °C Start Winding Resistance: 22.1 Ω (± 10%) at 25°C Run Winding Resistance: 50.65 Ω (± 10%) at 25°C
<small>Private Picture Copyright: WWW.MBSM.PRO</small>		

GENERAL DATA

Application: LBP
Refrigerant: R600a
Evaporating Temperature Range: -35°C to -10°C
Compressor Cooling: Static
Type: Hermetic reciprocating
Technology Type: On-Off
Expansion Device: Capillary Tube
Packing Quantity: 100
Displacement: 3.97 cm³
Horse power: 1/12 hp
Approvals:



MECHANICAL DATA

Bore: 19 mm
Stroke: 14 mm
Oil Charge: 180ml
Oil Type Configuration: ALQUILB
Oil Type Viscosity: ISO5
Weight: 7.88 kg

ELECTRICAL DATA

Motor Type: RSCR
Starting Torque: LST

Voltage working range at 50 Hz: 198-242 V
 Voltage working range at 60 Hz: 198-242 V
 Maximum Motor Temperature: 130 °C
 Start Winding Resistance: 22.1 Ω (± 10%) at 25°C
 Run Winding Resistance: 50.65 Ω (± 10%) at 25°C

<p>Model EMX20CLC Code 513309529...S</p> <p>220V 60 1~</p>  <p>MECHANICAL DATA</p> <p>Bore: 19 mm Stroke: 14 mm Oil Charge: 180ml Oil Type Configuration: ALQUILB Oil Type Viscosity: ISO5 Weight: 7.88 kg</p>	<p style="text-align: right;">embraco POWER IN. CHANGE ON.</p> <p>GENERAL DATA</p> <p>Application: LBP Refrigerant: R600a Evaporating Temperature Range: -35°C to -10°C Compressor Cooling: Static Type: Hermetic reciprocating Technology Type: On-Off Expansion Device: Capillary Tube Packing Quantity: 100 Displacement: 3.97 cm³ Horse power: 1/12 hp Approvals:</p> <p>ELECTRICAL DATA</p> <p>Motor Type: RSCR Starting Torque: LST Voltage working range at 50 Hz: 198-242 V Voltage working range at 60 Hz: 198-242 V Maximum Motor Temperature: 130 °C Start Winding Resistance: 22.1 Ω (± 10%) at 25°C Run Winding Resistance: 50.65 Ω (± 10%) at 25°C</p> 
---	--

Private Picture Copyright: WWW.MBSM.PRO



Private Picture Copyright: WWW.MBSM.PRO

Mbsm_dot_pro_private_PDF_EMX20CLC_techTélécharger

Bitzer, Compressor, S6F-30.2Y-40P, Compressor Selection, Semi-hermetic Reciprocating, 1450 min⁻¹ , 101,1 (LP) , 30hp

Category: compressor

written by www.mbsm.pro | 17 December 2021



Type S6F-30.2Y-40P

S.No. 1600308267

BITZER KÜHLMASCHINENBAU GMBH
Made in Germany



Nominal Voltage V 3Ph~	Frequ. Hz	Operat. C. A (max)	Locked Rotor C.		Displacem. m³/h	Speed RPM
			A (Y)	A (YY)		
380-420	50	51	135	220	101,4	1450
440-480	60	51	135	220	122	1750

IP 54 LP/HP max. 19 / 28 bar



BITZER is raising the bar in terms of technology and capacity for expanded low temperature applications with the 2nd generation of 2-stage compressors. This series is the result of extensive research on the basis of years of experience in the construction of highly efficient and solid reciprocating compressors. The gas flow control and working valves are specially adapted for low temperature applications.

- Displacement at 1450 min⁻¹ : 101,1 (LP) 50,5 (HP)
- Number of cylinders : 6
- Oilcharge : 4,75 dm³

Displacement (1450 RPM 50Hz):101.10 / 50.50 m³/h Displacement (1750 RPM 60Hz):122.02 / 60.95 m³/h

The Bitzer Compressor is high quality!

Displacement (1450 RPM 50Hz):101.10 / 50.50 m³/h

Displacement (1750 RPM 60Hz):122.02 / 60.95 m³/h

No. of cylinder x bore LP/HP x stroke:6+6 x 82/ 82 mm x 55 mm

Max. pressure (LP/MP/HP):19 / 19 / 28 bar

Connection suction line:42 mm – 1 5/8 inch

Connection discharge line:35 mm – 1 3/8 inch

Oil type R404A/R507A:BSE32 (Standard)

Oil type R448A/R449A:BSE32 (Standard)

Oil type R22:B5.2 (Option) We can also provide the following models

4JTE-15K

GYD80485VAYB4

GED60235VLB332

GMD60137VBYR632

GED60485VBYR3-1

CSH7573-70Y-40P

GYD80182VLYB632

GYD60385VLYR2-2

GED80154VLR332

GYU80295VLR4-2

GSU60120VLB6-2

GED60137VAYB3-1

GUU60154VLR532

GUD80295VLR232

GSD80295VLR6-1

GTU60137VLYB3-1

GUD60137VBYR5-1

GYD80235VBYB332

GYD60421VAYR332

GMD60295VBR3-1

GED80154VBYB6

4NEH-14-40S

GMU60154VLY

GYD60154VAB4-2

GYD80182VAYR4-2

GYD80421VBR5-1

GYD60385VLYR4-1

4TE-9.F3Y-40S

GMD60182VBYB3-2

GMD80120VLR232
 GUD60120VBYR5-2
 GSD60154VAYR232
 GMD60154VBYR632
 44EES-12-40S
 GMD60154VBB432
 GUD80421VWR4-2
 GYD80385VAYR2-2
 GTD60385VLB632
 GED60235VLB2
 GED60154VAYR4
 GSD80421VWR5-2
 GUD60421VBR5
 GYD80182VBYB5-1
 GED60295VBB5
 GED80421VAR4-1
 GED60385VLYB3
 GYU80421VLR2
 GSD80485VBB5-1
 GED60120VLB2
 GUD60421VBR332
 GTD60154VAB4-2
 GED60421VAYB6-1
 GMD60485VBB5-1
 GSD60485VAYR4
 GED80295VLYR6-1
 GSD60235VAYB232
 GTD60385VBYR3-1
 GUD60154VBB3-2
 GUD80295VWB6-2
 GED60421VAR5
 GMD80421VBR4
 GED80182VLR532
 GSD60154VBYB6-1
 GTD80421VBYR332
 GSD60182VAYB4-1
 GUD80485VWYR5-2
 GSU80295VLYR6-1
 GSD80182VLYR2-2
 GSU80385VLB432
 GED80295VAY
 GED80295VAB3-2
 GYD60120VAR4

With liquid subcooling 50Hz (R404A/R507A)

Compressor type	Cond. temp. [°C]	Q _o / P _e	Evaporating temperature °C									
			-25	-30	-35	-40	-45	-50	-55	-60	-65	-70
S6F-30.2Y	30	Q _o	43400	37400	31750	26500	21700	17420	13690	10540	7920	5800

Pe	2,53	0,65	8,78	16,94	15,15	13,42	11,77	10,20	8,74	7,40	
35	Qo	42500	36600	31050	25900	21200	17030	13420	10340	7780	5680
Pe	3,85	1,86	9,89	7,94	6,04	4,21	12,45	10,78	9,23	7,80	
40	Qo	41500	35700	30300	25300	20700	16680	13170	10150	7590	
Pe	25,20	23,10	21,01	18,96	16,95	15,00	13,14	11,37	9,72		
45	Qo	40450	34800	29550	24700	20300	1660	12930	9920		
Pe	26,59	24,37	22,16	19,98	17,86	15,80	13,83	11,96			
50	Qo	39500	34000	28850	24100	19870	16060	12650			
Pe	28,07	25,69	23,33	21,01	18,75	6,57	14,49				
55	Qo	38800	33250	28200	23600	19490	15740				
Pe	29,64	27,06	24,51	22,03	19,63	17,32					

Qo – Cooling capacity [Watt], Pe – Power consumption [kW]

Without liquid subcooling 50Hz (R404A/R507A)

Compressor type	Cond. temp. [°C]	Qo / Pe		Evaporating temperature °C								
		-25	-30	-35	-40	-45	-50	-55	-60	-65	-70	
S6F-30.2Y	30	Qo	38050	31700	26050	21000	16620	12880	9790	7280	5300	3760
Pe	1,26	18,81	16,61	14,64	12,90	11,37	10,02	8,86	7,85	7,00		
35	Qo	36000	29950	24500	19710	15570	12070	9180	6840	4980	3510	
Pe	22,11	19,66	17,41	15,37	13,53	11,88	10,42	9,13	8,02	5,72		
40	Qo	33800	28000	22900	18390	14530	11280	8590	6400	4620		
Pe	22,95	20,53	18,26	16,15	14,20	12,42	10,82	9,41	8,18			
45	Qo	31450	26050	21250	17080	13510	10500	8000	5920			
Pe	23,82	21,42	19,12	16,94	14,89	13,00	11,26	9,71				
50	Qo	28950	24000	19590	15770	12490	9710	7370				
Pe	24,72	22,31	19,98	17,74	15,61	13,61	11,76					
55	Qo	26400	21900	17890	14430	11440	8880					
Pe	25,67	23,19	20,80	18,52	16,34	14,27						

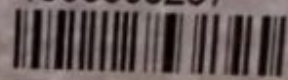
Qo – Cooling capacity [Watt], Pe – Power consumption [kW]



Type S6F-30.2Y-40P

S.No. 1600308267

BITZER KÜHLMASCHINENBAU GMBH
Made in Germany



Nominal Voltage V 3Ph~	Frequ. Hz	Operat. C. A (max.)	Locked Rotor C.		Displacem. m³/h	Speed RPM
			A (Y)	A (YY)		
380-420	50	51	135	220	101,4	1450
440-480	60	51	135	220	122	1750

IP 54 LP/HP max. 19 / 28 bar





Private Picture Copyright : WWW.MBSM.PRO

Mbsm_dot_pro_private_PDF_S6F-30.2Y-40PTélécharger

Compressor type Displacement at 1450 min-1 Number of cylinders Oil charge Weight Pipe connections Motor Max. operating current Max. power consumption Starting

current(lockedrotor)LPHPDLSLdm3KgmpouceAmpkW
Y/YS6F-30.2Y101,150,567.752343513/842
5415/8
21/8380 ..420YY/3/50
440 ..480 YY/3/605131,9135/220

Panasonic, DGH73C14RAX, R134a, D Series, Reciprocating, Fixed, Speed, LBP, 1/4Hp

Category: compressor
written by www.mbsm.pro | 17 December 2021



Private Picture Copyright: WWW.MBSM.PRO

https://www.mbsm.pro/wp-content/uploads/2021/01/Mbsm_dot_pro_private_PDF_Qb77c16glx5.pdf

Item	Performance characteristics
Refrigerant	R134a
Displacement (cm ³)	7.3

Item	Performance characteristics
Voltage (V)	220
Frequency (Hz)	50
Motor Type	RSCR
Capacity@ASHRAE	215
COP@ASHRAE	1.6
Capacity@CECOMAF	—
COP@CECOMAF	—



DGH	DGH57C79RAU	5.7	115V 60Hz	RSCR	215	1.38	-	-
				RSIR	-	-	-	-
	DGH66C12RAR	6.6	110/127V 60Hz	RSCR	212	1.63	-	-
				RSIR	-	-	-	-
	DGH66C13GAX	6.6	220V 50Hz	RSCR	251 / 251	1.62 / 1.60	-	-
				RSIR	189	1.42	-	-
	DGH66C15RLP	6.6	220V 60Hz	RSCR	-	-	-	-
				RSIR	251	1.45	-	-
	DGH66C16RAP	6.6	220V 60Hz	RSCR	-	-	-	-
				RSIR	251	1.60	-	-
	DGH66C94RAU	6.6	115V 60Hz	RSCR	-	-	-	-
				RSIR	238	1.68	-	-
	DGH66C96RAW	6.6	220/240V 50Hz	RSCR	190 / 190	1.60 / 1.56	-	-
				RSIR	-	-	-	-
	DGH73C14RAE	7.3	220V 50/60Hz	RSCR	215 / 270	1.55 / 1.60	-	-
				RSIR	-	-	-	-
DGH73C15GAX	7.3	220V 50Hz	RSCR	215	1.45	-	-	
			RSIR	-	-	-	-	
DGH73C15RAX	7.3	220V 50Hz	RSCR	-	-	-	-	
			RSIR	215	1.60	-	-	
DGH73C13RAW	7.3	220/240V 50Hz	RSIR	-	-	-	-	

Private Picture Copyright: WWW.MBSM.PRO

Mbsm_dot_pro_private_PDF_panasonic-compressor-Serie-DTélécharger

KONOR, COMPRESSOR, GQR80AA, R134A, LBP, 240V, 50Hz, 8.1cm³, 1/4HP, 198W, -KONOR CATALOGE pdf

Category: compressor

written by www.mbsm.pro | 17 December 2021



Private Picture Copyright: WWW.MBSM.PRO

GQR80AA 8.1cm³ 186MM RSIR 198W 1.19W/W 220-240V/50Hz 1/4HP 9.4Kg

KONOR COMPRESSOR GQR80AA R134A LBP 240V 50Hz

Product description:

R134a GQR80AA series sealed refrigeration compressor 220-240v/50Hz

The main feature:

strong loading capacity,
high efficiency,
low noise,
light vibration,
good reliability.

suitable for mid-size refrigerators, freezers, displayers, beer displayers and other mid-size refrigeration appliances. The structure form is hermetical crank connecting-rod reciprocating piston type.

They are the best selling high-tech compressors sold in the world. They are ideal for domestic refrigeration and also for small commercial applications. They are small, have low noise and vibration levels, they achieve the highest levels of efficiency available in the market for this category.

KONOR	Displ.	power	Motor type	V/Hz	Cooling capacity	W ^{Net}	Weight	KG
GQR60AA	61/6		RSIR	220-240V/50Hz		140		9.4
GQR70AA	6.61/5		RSIR	220-240V/50Hz		165		9.4
GQR80AA	8.11/4		RSIR	220-240V/50Hz		198		9.4
GQR90AA	9.11/4		RSIR	220-240V/50Hz		220		10.1
GQY99AA	9.91/4		RSIR	220-240V/50Hz		270		10.9
GQY12AF	11.81/3		CSIR	220-240V/50Hz		325		10.56
GQY16AF	16.23/8		CSIR	220-240V/50Hz		380		12.1
GP16MG	16.25/8		CSIR	220-240V/50Hz		870		12.5
GP12MG	11.85/8		CSIR	220-240V/50Hz		656		10.9
GP12TG	11.83/8		CSIR	220-240V/50Hz		1140		11.8
GQR80TG	8.11/4		CSIR	220-240V/50Hz		730		9.8
GQR90TG	9.11/4		CSIR	220-240V/50Hz		830		10.5
GQR60TG	61/5		CSIR	220-240V/50Hz		520		9.8

One year warranty*.

Mbsm_dot_pro_private_PDF_2017-KONOR-CATALOGETélécharger



KONOR Compressor GQR80AA

Heating & Refrigerating
SIKELAN

GQR80TG

220-240V ~ 50/60Hz 1PH

R134a



REF. CAPACITY: 400W

17.08.2018

20230182T

Zhejiang Waidi Refrigeration Technology Co., LTD.

Suct

GP14TB, R-134a, 3/8HP++, 230V, Haute
Pression, CUBIGEL/HUAYI,
Décalage: 14.17 cm³

Category: compressor

written by www.mbsm.pro | 17 December 2021



Private Picture Copyright : WWW.MBSM.PRO

- CUBIGEL/HUAYI
- Original

Données techniques

- Modèle: **GP14TB**
- Gaz: **R-134a**
- Température/Pression: **Haute Pression**
- Puissance: **3/8 HP**
- Type De Courant: **Monophasé**
- Fréquence: **50 Hz**
- Type De Compresseur: **Hermétique**
- Décalage: **14.17 cm³**
- Cons.Énergie -10°C: **366 W**
- Cons.Énergie -5°C: **406 W**
- Cons.Énergie 0°C: **448 W**
- Cons.Énergie +5°C: **491 W**
- Cons.Énergie +10°C: **536 W**
- T° De Condensation: **40 °C**
- Capacité Frigorifique -15°C: **489 Kcal/h**
- Capacité Frigorifique -10°C: **634 Kcal/h**
- Capacité Frigorifique -5°C: **800 Kcal/h**
- Capacité Frigorifique 0°C: **986 Kcal/h**
- Capacité Frigorifique 5°C: **1193 Kcal/h**
- Capacité Frigorifique 7.2°C: **1291 Kcal/h**
- Capacité Frigorifique 10°C: **1421 Kcal/h**
- Tipo Test: **Ashare 46**



Private Picture Copyright : WWW.MBSM.PRO

3070051	alternative part number	605011	رقم القطعة
GP14TB	type	R134a	refrigerant
W 566	power input	HP 3/8	power
CSIR	motor system	cm ³ 14	cylinder capacity
mm 203.6	height	V 220-240	voltage
W 643	power at -5°C	W 497	power at -10°C
W 999	power at +5°C	W 810	power at 0°C
W 271	power at -20°C	W 191	power at -25°C
W 1209	power at +10°C	W 373	power at -15°C
HMBP	application	ASHRAE	test method
C° 43	.ambient temperature max	Hz 50	frequency
		kg 11.5	weight



Private Picture Copyright : WWW.MBSM.PRO

Cold room, Copeland, ZR scroll, compressor, ZR144KCE-TFD-550, 12HP Copeland Scroll Compressor, Hermetic Compressor Specifications

Category: compressor

written by www.mbsm.pro | 17 December 2021

Model	Horse Power (HP)	Cooling capacity(w)	InputPower(kw)	Current (A)	Bottom corner size(mm)	Weight(KG)
ZR144KC-TFD-550	12	34730	10.87	19.6	190	63



Private Picture Copyright : WWW.MBSM.PRO

Type: Hermetic scroll compressors **Producer:** Copeland **Series:** ZR

Model: ZR144KCE-TFD

Technical data

Displacement [m ³ /h]:	33,2
Sound power [dBA]:	75
Sound pressure level [dB]:	64
Net Weight [kg]:	61,2
Gross Weight [kg]:	72
Oil charge [dm ³]:	3,3
Maximum high pressure [bar]:	32
Maximum standstill pressure [bar]:	20
Minimal lowside temperature [°C]:	-35
Maximum lowside temperature [°C]:	52
PED category:	2

Electrical data

Power supply [V/~ /Hz]:	380-420/3/50Hz
Locked rotor current [A]:	118
Max. operating current [A]:	22,3
Winding resistance [Ω]:	1,2

Connections

inches

Suction connection with supplied sleeve: 1 3/8"
 Discharge connection with supplied sleeve: 7/8"
 Compressor Copeland Scroll ZR144KCE-TFD-425, R407C, 380-420V
 Type of engine: TFD
 Displacement: 33.2 m3 / h (191,23 cm3)
 Cooling capacity (0 ° C): 20.00 kW.
 Oil quantity: 3.38 L.
 Noise level: 61 dBA – 1 m.
 Max. Noise level: 75 dBA.
 Max. Operating current (FLA): 22.3 A.
 LRA: 118.0 A.
 Connectors: 1.3 / 8 "x 7/8".
 Dimensions (LxWxH): 264x285x533 mm
 Net Weight: 61.2 kg

Shipping Class	Standard
Scope Of Application	HBP
Lieferzeit	Ca. 10-14 Tage
Type Of Construction	Scroll
Maker	Copeland
Manufacturer No.	ZR144KCE-TFD-425
Style	1
Refrigerants	R407C
Series	ZR
Condensing Units Compressors	Compressors
Suspense	380-420V
Weight In Kg	61

Model	Horse Power (HP)	Cooling capacity(w)	InputPower(kw)	Current (A)	Bottom corner size(mm)	Weight(KG)
ZR144KC-TFD-550	12	34730	10.87	19.6	190	63



MODEL ZR144KCE - TFD - 550



SERIAL 13G6771ET



US
SA2337



1-OPER MAX	22.3	PED CAT2 / FG2	HIGH SIDE PS = 32.0 BAR
2-OPER MAX	22.3	∇ (m ³ /h)	
		40.05	
		33.18	
		n (min ⁻¹)	
		3500	
		2900	
		BOX	
		IP	
		21	
			PED LOW SIDE
			TS MIN = -35 °C
			TS MAX = 50 °C
			PS = 20.0 BAR
		93384-016	UA7635 2 THERMALLY PROTECTED

ASSESSMENT

ADVERTENCIA

Únicamente personal capacitado deberá efectuar el servicio del equipo. El no seguir estas advertencias de seguridad podrá ser causa de lesiones graves o la muerte.

PELIGRO DE DESCARGA ELECTRICA

Desconecte la corriente eléctrica antes de dar servicio. Descargue todos los capacitores. Este equipo debe usarse únicamente en un sistema conectado a tierra. Una falta de conexión a tierra puede causar lesiones graves o la muerte.



PETRA

PETRA ENGINEERING INDUSTRIES CO.
P.O. BOX 141351 Amman 11814 JORDAN



MODEL

REF. No.

SERIAL NO.

NOMINAL POWER SUPPLY VOLT/Hz /Ph

COMP. MOTOR	QTY	VOLT	LRA	RLA	Max. Amp.	hp
COMP. MOTOR A	<input type="text" value="1"/>	<input type="text" value="380"/>	<input type="text" value="110"/>	<input type="text" value="19 6"/>	<input type="text" value="22 3"/>	<input type="text" value="12"/>
COMP. MOTOR B	<input type="text"/>	<input type="text"/>	<input type="text"/>	<input type="text"/>	<input type="text"/>	<input type="text"/>

	QTY	VOLT	Ph	kW	FLA
COND. FAN MOTOR A	<input type="text" value="2"/>	<input type="text" value="380"/>	<input type="text" value="3"/>	<input type="text" value="0 43"/>	<input type="text" value="1 1"/>
COND. FAN MOTOR B	<input type="text"/>	<input type="text"/>	<input type="text"/>	<input type="text"/>	<input type="text"/>
EVAP. FAN MOTOR	<input type="text" value="1"/>	<input type="text" value="380"/>	<input type="text" value="3"/>	<input type="text" value="4"/>	<input type="text" value="8 4"/>
ELECTRIC HEATER	<input type="text" value="3"/>	<input type="text" value="220"/>	<input type="text" value="1"/>	<input type="text" value="3"/>	<input type="text" value="13 6"/>

COIL TEST PRESSURE Psig REFRIGERANT

MINIMUM WATER LOOP VOLUME (GAL)

CHILLER MINIMUM WATER FLOW RATE (GPM)

Made in Jordan



Manufacturing Year

COMPRESSOR, DANFOSS, NL8.4MF, R134A, 1/4HP, 8.35CM³, Compressor Danfoss Secop NL8.4MF, 105G6879, MBP -R134a, 220-240V/1/50Hz, discharge 8.35 cm³, motor type RSIR / CSIR, oil type POE, oil charge 320 cm³, 741 W at +7.2 / +55° C, LRA 11.7 A, maximum refrigerant charge 600 g, height: 197 mm, weight 10.5 kg

Category: compressor

written by www.mbsm.pro | 17 December 2021



Private Picture Copyright: WWW.MBSM.PRO

230V 50/60HZ

FICHE TECHNIQUE COMPRESSEUR DANFOSS NL8.4MF AU R134A 1/4HP 8.35CM3

Puissance HP 1/4
Tension (V) 230
Fréquence (Hz) 50/60
Marque pie DANFOSS
Cylindré 8.35
Référence marque NL8.4MF



Private Picture Copyright : WWW.MBSM.PRO

Applications	HBP LBP MBP
Charge en fluide frigorigène [kg] [Max]	1.3 kg
Charge en huile [L]	600 L
Code de configuration	Simple
Couleur	Noir
Courant d'appel HST [A]	18.6 A
Description	SC18G
Diamètre de raccordement à l'aspiration [mm]	10.2 mm
Diamètre du raccord au refoulement [mm]	6.2 mm
Diamètre du raccordement du traitement [mm]	6.2 mm
Désignation du modèle	Compresseur
Emballage (format)	Emballage industriel
Faible valeur de plage de tension à 50 Hz [V]	187 V
Faible valeur de plage de tension à 60 Hz [V]	198 V
Faible valeur de tension nominale à 50 Hz [V]	208 V
Faible valeur de tension nominale à 60 Hz [V]	220 V
Fluides	R134a
Fréquence [Hz]	50/60
Hauteur de la base [mm]	213 mm
Hauteur du raccordement de refoulement [mm]	110 mm
Hauteur raccordement aspiration [mm]	193 mm
Hauteur totale [mm]	219 mm
LRA HST [A]	18.6 A
Matériel du raccord au process	Acier cuivré
Matériel du raccord d'aspiration	Acier cuivré
Matériel du raccord de refoulement	Acier cuivré
Niveau d'énergie de l'application	Compresseur universel
Nombre de phases (compresseur)	1
Nombre de phases (ventilateur)	1
Norme d'approbation	CE EN 60335-2-34 avec Annexe AA
Notes concernant le raccord de refoulement	Capuchon en aluminium
Notes concernant le raccordement au process	Capuchon en aluminium
Notes concernant le raccordement à l'aspiration	Capuchon en aluminium
N° de modèle	SC18G
N° de schéma	8258
Oil type	POE
Phase	1
Puissance frigorifique nominale 60 kBTU/h	6.06 kBTU/h
Puissance frigorifique nominale à 60 Hz	1.8 kW
Quantité d'huile [cm³]	600 cm ³
Quantité par emballage	80
raccord de refoulement équerre [°]	37 °

raccord d'aspiration équerre [°]	37 °
Raccordement de process équerre	37 °
Régulation de la puissance	Vitesse fixe
Résistance de l'enroulement auxiliaire (enroulement de démarrage) pour compresseurs monophasés [ohm]	14.1 Ohm
Résistance de l'enroulement principal pour compresseurs monophasés [Ohm]	3.7 Ohm
Technique de la marque	Compresseur à pistons
Technologie	Piston
Température d'enroulement max. continue [°C] [Max]	125 °C
Température de l'enroulement à court terme [°C] [Max]	135 °C
Tension 50 Hz [V]	220 V
Tension 50 Hz [V] [max.]	240 V
Tension 60 Hz [V]	220 V
Tension 60 Hz [V] [max.]	240 V
Type	SC
Type de moteur	CSIR
Type de socle	Universel
Utilisation de tronçon	Réfrigération LT Réfrigération MT
Valeur du condensateur A	10 µF
Valeur du condensateur B	80 uF
Valeur élevée de plage de tension à 50 Hz [V]	254 V
Valeur élevée de plage de tension à 60 Hz [V]	254 V
Valeur élevée de tension nominale à 50 Hz [V]	230 V
Valeur élevée de tension nominale à 60 Hz [V]	230 V
Vitesse de rotation à 50 Hz [rpm]	2900 rpm
Vitesse de rotation à 60 Hz [rpm]	3500 rpm
Volume balayé [cm ³]	17.69 cm ³
Volume de gaz libre [cm ³]	1460 cm ³
Économiseur	No

Documents

Type de document	Country	Langue	Titre
	France	Français	
	Afrique du Sud	Anglais	
	Allemagne	Français	
	Australie Autriche	Allemand	
	Belarus Belgique	Anglais	
	Brazil Bulgarie	Arabe	
	Canada Chili Chine (continentale)	Bulgare	
	Colombie Corée du Sud	Chinois	
	Croatie	Coréen	
	Danemark	Croate	
	Emir.arab.unis	Danois	
	Espagne Estonia	Espagnol	
	Finlande Grande Bretagne	Estonien	
	Grèce	Finnois	Grec
	Hongrie Inde + Sikkim	Hindi	
	Indonésie	Hongrois	
	Ireland Islande	Hébreu	
	Israël Italie	Indonésien	
	Japon Kazakhstan	Islandais	
	Lettonie Lithuania	Italien	Titre
	Macedonia Malaisie	Japonais	
	Mexique N. Zélande	Kazakh	
	Norvège Pays-Bas	Letton	
	Philippines	Lituanien	
	Pologne Portugal	Norvégien	
	Roumanie Russian Federation	Néerlandais	
	Rép. tchèque Saudi Arabia	Polonais	
	Serbia	Portugais	
	Singapour	Roumain	
	Slovaquie Slovénie	Russe	Serbe
	Suisse Suède	Slovaque	
	Taiwan, Chine	Slovène	
	Thailand Tunisie	Suédois	
	Turquie Ukraine	Tchèque	Thaï
	USA Viêt Nam	Turc	
	Vénézuéla	Ukrainien	
		Vietnamien	
Fiche technique	France	Français	220V Hermetic Compressors – R12 – R22 – R205 AI32443441788901-FR0101 1984 KB
Fiche technique	France	Français	Listing Compresseur Secop AI302136056984fr-FR0101 253 KB
Guide d'installation	France	Français	Instructions SC Compressors (external Protector) AN00008643706001-000401 124 KB
Guide d'installation	France	Français	Instructions SC Twin Compressors AN00008643707201-000101 183 KB

Type de document	Country	Langue	Titre
Fiche	France	Français	
	Afrique du Sud	Allemand	
	Allemagne	Anglais	
	Australie Autriche	Arabe	
	Belarus Belgique	Bulgare	
	Brazil Bulgarie	Chinois	
	Canada Chili Chine	Coréen	
	(continentale)	Croate	
	Colombie Corée du Sud	Danois	
	Croatie	Espagnol	
	Danemark	Estonien	
	Emir.arab.unis	Finnois	Grec
	Espagne Estonia	Hindi	
	Finlande Grande Bretagne	Hongrois	
	Grèce	Hébreu	
	Hongrie Inde + Sikkim	Indonésien	
	Indonésie	Islandais	
	Ireland Islande	Italien	
	Israël Italie	Japonais	
	Japon Kazakhstan	Kazakh	
	Lettonie Lithuania	Letton	
	Macedonia Malaisie	Lituanien	
	Mexique N. Zélande	Norvégien	
	Norvège Pays-Bas	Néerlandais	
	Philippines	Polonais	
	Pologne Portugal	Portugais	
	Roumanie Russian Federation	Roumain	
	Rép. tchèque Saudi Arabia	Russe Serbe	
	Serbia	Slovaque	
	Singapour	Slovène	
	Slovaquie Slovénie	Suédois	
	Suisse Suède	Tchèque Thaï	
	Taiwan, Chine	Turc	
	Thailand Tunisie	Ukrainien	
	Turquie Ukraine	Vietnamien	
	USA Viêt Nam		
	Vénézuéla		

Matériel promotionnel

France

Français

Refrigerant Circuit

AV00008642183800-000402
463 KB

Compresseur Danfoss SC18G - R134a

Cylindrée = 17.69 CM3

APPLICATIONS = HP; BP; MP

Moteur = CSIR

220-240V 50/60Hz



Design

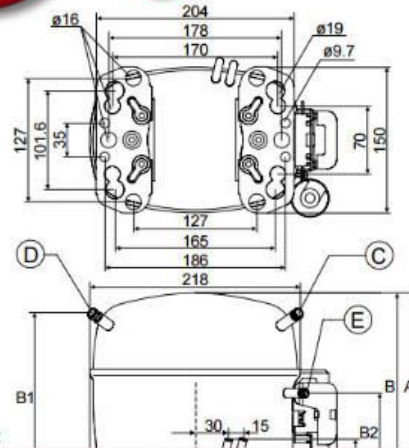
Displacement	cm ³	17.69
Oil quantity	cm ³	600 (550 on comp. with oil cooler)
Maximum refrigerant charge	g	1300
Free gas vol. in compressor	cm ³	1460
Weight without electrical equipment	kg	13.7

Motor

Motor size	watt	495
LRA (rated after 4 sec. UL984) HST	A	18.6
Cut-in current HST	A	18.6
Resistance, main and start winding (25°C)	Ω	3.7/14.1
Approvals		EN 60335-2-34, CCIB

Dimensions

104G8830 104G8820 104G8822



Private Picture Copyright : WWW.MBSM.PRO

R134a	refrigerant	605076	رقم القطعة
HP 1/2	power	SC18G	type
cm ³ 17.7	cylinder capacity	W 495	power input
V 220-240	voltage	CSIR	motor system
W 844	power at -10°C	mm 219	height
W 1343	power at 0°C	W 1074	power at -5°C
W -	power at -30°C	W 1655	power at +5°C
W 485	power at -20°C	W 348	power at -25°C
W 2014	power at +10°C	W 649	power at -15°C
HMBP	application	ASHRAE	test method
kg 13.7	weight	Hz 50	frequency



Private Picture Copyright : WWW.MBSM.PRO

Visuels

Mbsm_dot_pro_private_PDF_SC18GTélécharger



Private Picture Copyright : WWW.MBSM.PRO

Donper, Refrigeration, Compressr,
r134A, freezer, LU140CY1, CT6220CE,
AK120CY1, 1/3Hp-

Category: compressor

written by www.mbsm.pro | 17 December 2021



Private Picture Copyright : WWW.MBSM.PRO

Product Description

Donper Refrigeration Compressor R134A

– Famous and Popular Compressors

– D series hermetic compressors for R134A mainly are designed for applications in water dispenser, small freezer. The main characteristics of D series are light weight, compact size, high reliability, low noise and low vibration.

– R134A S series hermetic compressor mainly are designed for applications in water dispenser, small refrigerator, small freezer. The main characteristics of S series are light weight and compact size, reliability, low noise and high low vibration. By the optimal design of the suspension system and the continuous curvature design of its housing, low operating vibration and sound levels have been achieved.

R600a Series

Refrigerant	Application	Model	Series	Power	Cooling	Motor Power type	Power supply	Cooling capacity	COP	W/W
*ASHRAE -23.3	*CECOMAF -25	*ASHRAE -23.3	*CECOMAF -25							
R600a	LBP	W40CY	IN	1/14	S	hatch	220/50	55	43	0.9 0.75
R600a	LBP	S53CY	S	1/10	S	hatch	220/50	75	57	1.2 0.95
R600a	LBP	S65CY	S	1/8	S	hatch	220/50	95	72	1.2 0.95
R600a	LBP	S75CY	S	1/7	S	hatch	220/50	118	86	1.2 0.95
R600a	LBP	SK53CY	S	1/10	S	RSCR	220/50	75	57	1.3 1.03

R600a	LBP	L76CY	L	1/6 S	hatch 220/50	132	100	1.36	1.07
R600a	LBP	L88CY	L	1/5 S	hatch 220/50	153	116	1.36	1.07
R600a	LBP	QD60AY	NOT	1/7 S	hatch 100/60	125	95	1.35	1.07
R600a	LBP	QD76Y	NOT	1/6 S	hatch 220/50	132	100	1.36	1.07
R600a	LBP	QD88Y	NOT	1/5 S	hatch 220/50	153	116	1.36	1.07
R600a	LBP	QD100Y	NOT	1/5 + S	hatch 220/50	170	129	1.38	1.09
R600a	LBP	QD123Y	NOT	1/4 S	hatch 220/50	187	142	1.38	1.09
R600a	LBP	LK88CY	L	1/5 + S	RSCR 220/50	160	122	1.58	1.25
R600a	LBP	QD100YG	NOT	1/4 + S	RSCR 220/50	180	137	1.58	1.25
R600a	LBP	QD135YG	NOT	1/4 + S	RSCR 220/50	215	163	1.58	1.23
R600a	LBP	QD153YG	NOT	1/4 + S	RSCR 220/50	246	184	1.58	1.23
R600a	LBP	LU68CY	L	1/7 S	RSCR 220/50	120	91	1.56	1.22
R600a	LBP	QD68YU	NOT	1/7 S	RSCR 220/50	120	91	1.56	1.22
R600a	LBP	QD76YU	NOT	1/6 S	RSCR 220/50	140	106	1.65	1.3
R600a	LBP	QD88YU	NOT	1/5 S	RSCR 220/50	160	122	1.68	1.33
R600a	LBP	QD100YU	NOT	1/4 S	RSCR 220/50	180	137	1.7	1.34
R600a	LBP	QD123YU	NOT	1/4 S	RSCR 220/50	196	150	1.68	1.3
R600a	LBP	QD135YU	NOT	1/4 + S	RSCR 220/50	220	168	1.68	1.3
R600a	LBP	QD153YU	NOT	1/4 + S	RSCR 220/50	248	189	1.65	1.28
R600a	LBP	QD68YZ	NOT	1/6 S	RSCR 220/50	120	91	1.8	1.42
R600a	LBP	QD76YZ	NOT	1/6 S	RSCR 220/50	140	106	1.8	1.42
R600a	LBP	QD88YZ	NOT	1/5 + S	RSCR 220/50	165	125	1.8	1.42
R600a	LBP	QD100YZ	NOT	1/4 + S	RSCR 220/50	185	141	1.8	1.42
R600a	LBP	QD135YZ	NOT	1 / 3- S	RSCR 220/50	220	168	1.8	1.42
R600a	LBP	QD60YT	NOT	1/8 S	ESCR 220/50	106	81	1.88	1.48
R600a	LBP	QD68YT	NOT	1/7 S	ESCR 220/50	126	96	1.9	1.5
R600a	LBP	QD76YT	NOT	1/6 S	ESCR 220/50	146	111	1.94	1.53
R600a	LBP	LU68PY	L	1/7 S	BLDC 220/50	120	91	1.65	1.3
R600a	LBP	LU68PY	L	1/5 S	BLDC 220/50	160	122	1.65	1.3

Model no	L140CY1	Refrigerant	R600a
Cooling capacity	230W	Input power	170W
Hose Power	1/3- HP	Temperature application	LBP
Displacement	14cm ³	Working Current	1.3A
Voltage	220V~240V/50Hz	COP	1.35W/W
Motor type	RSIR	Cylinder capacity	14cm ³
Cooling type	Need a fan motor	Weight	8.6±0.4kg



Private Picture Copyright : WWW.MBSM.PRO

Quick Details

Condition:	New	Applicable Industries:	Hotels, Restaurant, Home Use, Food Shop, Food & Beverage...
Showroom Location:	None	Video outgoing-inspection:	Not Available
Machinery Test Report:	Not Available	Marketing Type:	Ordinary Product
Brand Name:	Dongbei/OEM	Place of Origin:	Hubei, China
Application:	Refrigeration Parts	Type:	Refrigeration Compressor
Product name:	R600a 1/3 hp Refrigeration Commercial Freezer Compressor	Warranty:	1 year
Voltage:	220V~240V/50HZ	Refrigerant:	R600a
Cooling capacity:	230W	Horse Power:	1/3
Cylinder capacity:	14 Cubic Centimetre	Input power:	170W
Motor Type:	RSIR	Working current:	1.3A
After Warranty Service:	Online support	Weight:	8.6±0.4kg
Certification:	CCC/VDE	Local Service Location:	None
		After-sales Service Provided:	Online support



Private Picture Copyright : WWW.MBSM.PRO

COOLING CAPACITY	230W
REFRIGERANTS	R600a
INPUT POWER	170W
HORSE POWER	1/3-
DISPLACEMENT	14cm ³



Model no	L140CY1	Refrigerant	R600a
Cooling capacity	230W	Input power	170W
Hose Power	1/3- HP	Temperature application	LBP
Displacement	14cm ³	Working Current	1.3A
Voltage	220V~240V/50Hz	COP	1.35W/W
Motor type	RSIR	Cylinder capacity	14cm ³
Cooling type	Need a fan motor	Weight	8.6±0.4kg

Private Picture Copyright : WWW.MBSM.PRO

PDF