

**Mbsm.pro, Compressor,
FL20S88NAAL, FL20, FL20-S88,
FL20-88, HITACHI, 210 W, FL
performance DATA, LBP, 1/3
HP, Sharp Four Doors
Refrigerator, Stainless,
Steel, 724L, sj-f82-sl5, 26
Feet, 1.5 A, r134a, 140 G,
220 v, 1 phase**

written by Lilianne | 31 March 2022

HCTL FL20S88NAAL
 220-240V 50Hz **OIL** 2016.01.12



SERIAL NO. 07676 HFC-134a

WARNING | HIGH TEMPERATURE
 | ELECTRIC SHOCK
DO NOT TOUCH S40

Private Picture Copyright : WWW.MBSM.PRO

Detail of Label

F L 14 62 - S B

Series name/Refrigerant

- R =R134a
- R =R404A
- C =R600a

Application category

- L = Low back pressure
- H = High back pressure

Development

- A - Z = With oil charge
- 1 - 9 = With out oil charge

Nominal voltages / Power source

Sign	Phase/voltage/frequency	Sign	Phase/voltage/frequency
H	1Ø 100 V 50/60 Hz	S	1Ø 220 - 240 V 50 Hz
P	1Ø 110 V 50/60 Hz	*D	1Ø 150 V 50/60 Hz
U	1Ø 127 V 60 Hz	T	3Ø 200 V 50/60 Hz
R	1Ø 200 - 220 V 60 Hz		

Nominal power (Out put)

Sign	Output(W)	Sign	Output(W)
04	45	15	150
05	55	16	160
06	65	17	170
07	75	18	180
08	85	20	200
10	100	25	250
11	110	35	350
12	125	40	400
14	140	45	450

Displacement

Sign	Displacement(Cm ³)	Sign	Displacement(Cm ³)
24	2.4	62	6.2
28	2.8	68	6.8
34	3.4	75	7.5
39	3.9	88	8.8
45	4.5	97	9.7
52	5.2	11	11.0
57	5.7		



Private Picture Copyright : WWW.MBSM.PRO

SHARP

SHARP
10 YEAR
WARRANTY
Compressor

SHARP

REFRIGERATOR-FREEZER

RATED VOLTAGE	220-240	V~
RATED FREQUENCY	50	Hz
RATED CURRENT	1.4-1.5	A
RATED POWER INPUT OF HEATING SYSTEMS	180-210	W
DEFROSTING INPUT	180-210	W
RATED TOTAL STORAGE VOLUME	605	L
CLIMATE CLASS		T
REFRIGERANT / MASS	HFC-134a/140g	
INSULATION BLOWING GAS	CYCLO PENTANE	
NET WEIGHT	107	kg

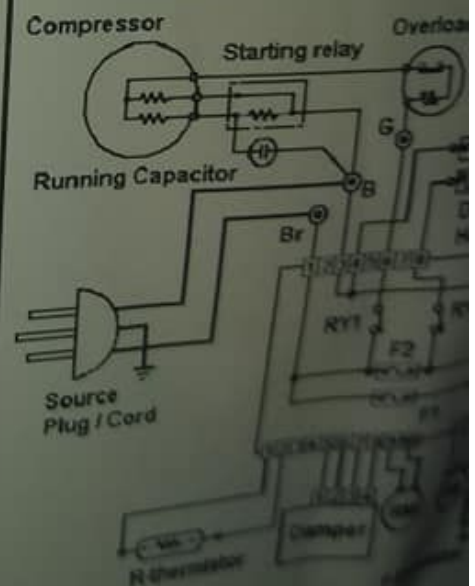
SERIAL NO. **K 160201912**

MADE IN THAILAND

SHARP CORPORATION

WIRING DIAGRAM

- CONNECTOR
- ⊙ (CONNECTED IN) (TERMINAL BOX)



HCTL

FL20S88NAAL

220-240V 50Hz **OIL** 2016.01.12



SERIAL NO. 07676 HFC-134a



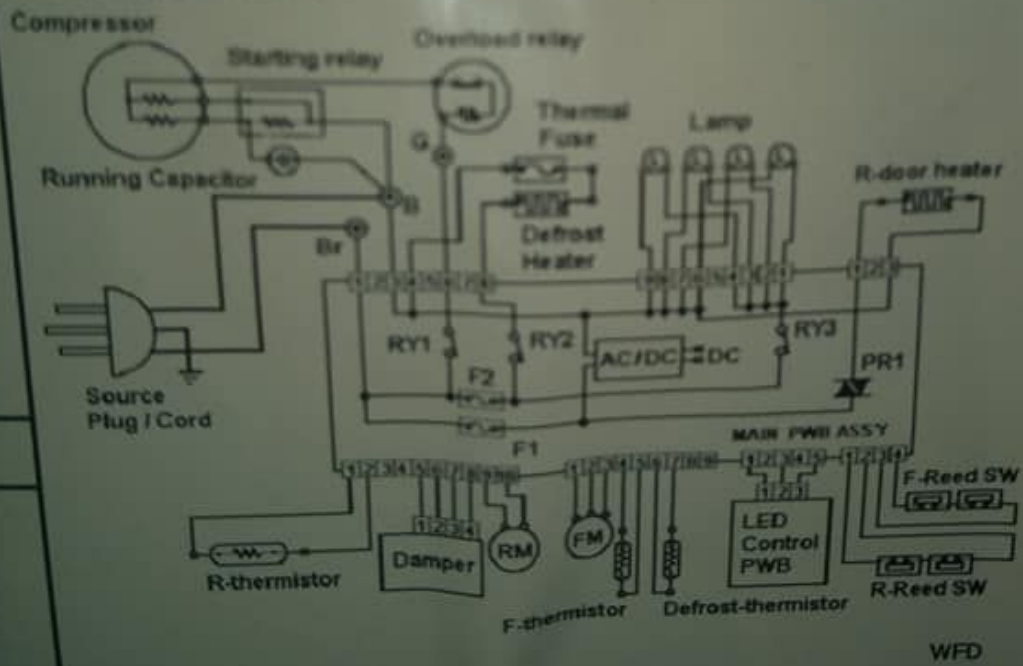
WARNING | HIGH TEMPERATURE
ELECTRIC SHOCK

DO NOT TOUCH S40

SJ-F82-SL5

WIRING DIAGRAM

- CONNECTOR
- ⊙ (CONNECTED IN TERMINAL BOX)





Hitachi Hermetic Compressors

HIGH EFFICIENCY MODEL

Application & Refrigerant LBP R134a

Model	Nominal Power		F	Cooling Capacity			D	Cooling			Wg	Motor Type	Power Source					Dimension	
	HP	W		Hz	W	Kcal/h		BTU/h	cm3	N			Oil	Fan	cm3	Kg	1		2
FL1152	1/6	110	50	132	113	450	5.19				270	8.3	RSCR	•			•		Type1-179
			60	155	133	529								•	•	•		Type2-180	
FL1257	1/5	125	50	150	129	512	5.70	•			240	9.5	RSIR	•			•		Type2-180
			60	175	151	597								•	•	•		Type2-188	
FL1462	1/5	140	50	160	138	546	6.23				320	10.5	RSIR	•			•		Type2-188
			60	180	155	614								•	•	•		Type2-195	
FL1568	1/5	150	50	185	159	631	6.80				300	10.6	RSIR	•			•		Type2-200
			60	210	180	717								•	•	•		Type2-200	
FL1875	1/4	180	50	210	181	717	7.47	•	•		300	10.8	RSIR	•			•		Type5-196
			60	245	211	836								•	•	•		Type5-216	
FL2088	1/3	200	50	250	215	853	8.83				300	11.1	CSR	•			•		Type5-216
			60	295	254	1007								•	•	•		Type5-216	

FH Series

STANDARD MODEL

Private Picture Copyright : WWW.MBSM.PRO

Mbsm_dot_pro_private_PDF_Fl20S88NAAL-2Télécharger

Mbsm_dot_pro_private_PDF_Fl20S88NAAL-1Télécharger

Mbsm_dot_pro_private_PDF_Fl20S88NAALTélécharger