

# Compresseur, Danfoss, SC15G, R134a, 1/2HP, 50/60Hz

Category: compressor

written by www.mbsm.pro | 1 January 2021

## Design

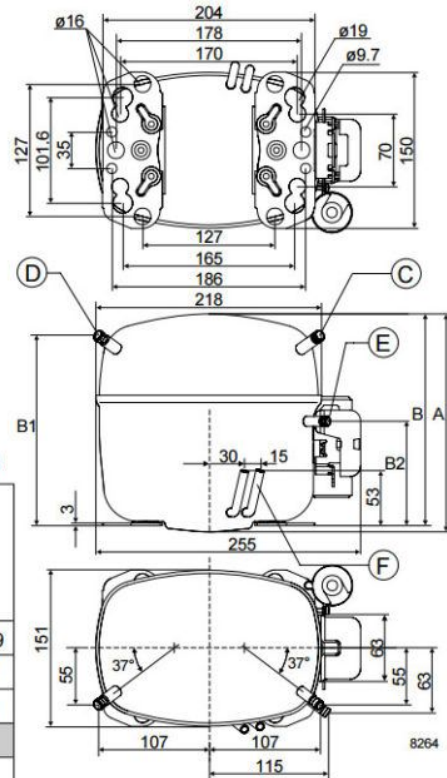
Displacement	cm <sup>3</sup>	15.28
Oil quantity	cm <sup>3</sup>	600 (550 on comp. with oil cooler)
Maximum refrigerant charge	g	1300
Free gas vol. in compressor	cm <sup>3</sup>	1410
Weight without electrical equipment	kg	13.1

## Motor

Motor size	watt	385
LRA (rated after 4 sec. UL984) HST	A	14.8
Cut-in current HST	A	14.8
Resistance, main and start winding (25°C)	Ω	5.0/13.7
Approvals		EN 60335-2-34

## Dimensions

		104G8530	104G8520	104G8525
Height	mm	A	209	
		B	203	
		B1	183	
		B2	100	
Suction connector	location/I.D. mm	C	10.2 ±0.09	10.2 ±0.09
Process connector	location/I.D. mm	D	6.2 ±0.09	6.2 ±0.09
Discharge connector	location/I.D. mm	E	6.2 ±0.09	6.5 ±0.09
Oil cooler	location/I.D. mm	F	6.2 ±0.09	
Compressors on a pallet	pcs.		80	

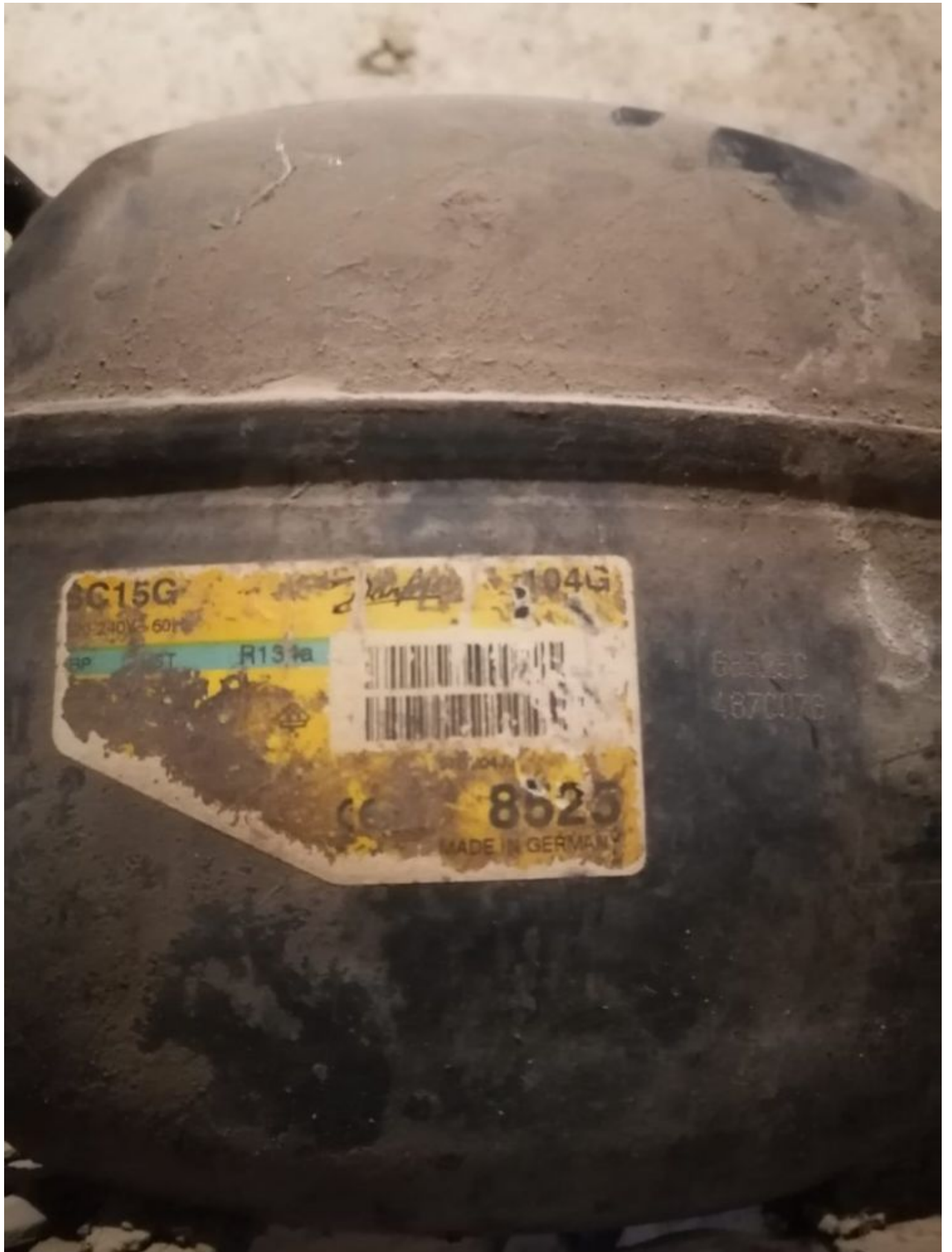


Private Picture Copyright: WWW.MBSM.PRO

## Données techniques

- Modèle: **SC15G**
- Gaz: **R-134a**
- Température/Pression: **Moyenne / Haute**
- Puissance: **1/2 HP**
- Voltage: **230 V**
- Type De Courant: **Monophasé**
- Fréquence: **50/60 Hz**
- Type De Compresseur: **Hermétique**
- Décalage: **15.28 cm<sup>3</sup>**
- Cons.Énergie -25°C: **233 W**
- Cons.Énergie -10°C: **440 W**
- Cons.Énergie -5°C: **497 W**
- Cons.Énergie 0°C: **549 W**
- Cons.Énergie +5°C: **595 W**
- Cons.Énergie +7,2°C: **613 W**
- T° De Condensation: **55 °C**
- Capacité Frigorífica -25°C: **175 Kcal/h**
- Capacité Frigorífica -20°C: **308 Kcal/h**
- Capacité Frigorífica -15°C: **450 Kcal/h**

- Capacidad Frigorífica -10°C: **604 Kcal/h**
- Capacidad Frigorífica -5°C: **775 Kcal/h**
- Capacidad Frigorífica 0°C: **966 Kcal/h**
- Capacidad Frigorífica 5°C: **1184 Kcal/h**
- Capacidad Frigorífica 7.2°C: **1289 Kcal/h**
- Capacidad Frigorífica 10°C: **1431 Kcal/h**
- Tipo Test: **Ashare 32**



### Design

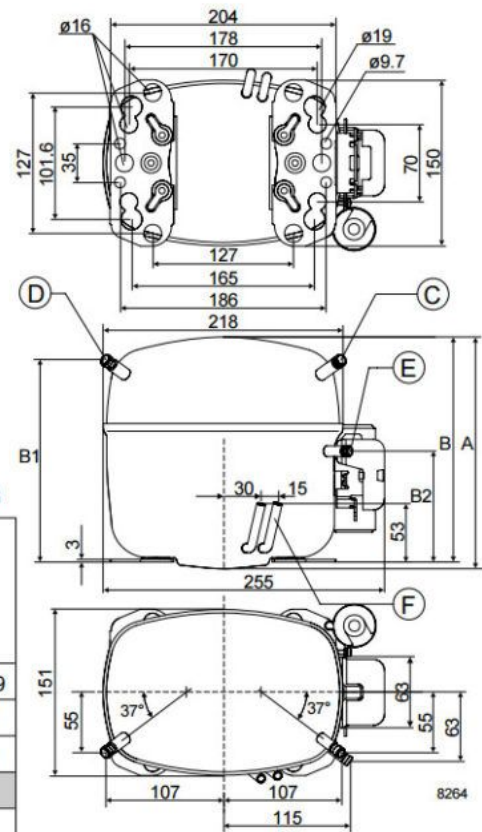
Displacement	cm <sup>3</sup>	15.28
Oil quantity	cm <sup>3</sup>	600 (550 on comp. with oil cooler)
Maximum refrigerant charge	g	1300
Free gas vol. in compressor	cm <sup>3</sup>	1410
Weight without electrical equipment	kg	13.1

### Motor

Motor size	watt	385
LRA (rated after 4 sec. UL984) HST	A	14.8
Cut-in current HST	A	14.8
Resistance, main and start winding (25°C)	Ω	5.0/13.7
Approvals		EN 60335-2-34

### Dimensions

		104G8530	104G8520	104G8525
Height	mm	A	209	
		B	203	
		B1	183	
		B2	100	
Suction connector	location/l.D. mm	C 10.2 ±0.09	10.2 ±0.09	10.2 ±0.09
Process connector	location/l.D. mm	D 6.2 ±0.09	6.2 ±0.09	6.5 ±0.09
Discharge connector	location/l.D. mm	E 6.2 ±0.09	6.2 ±0.09	6.5 ±0.09
Oil cooler	location/l.D. mm	F 6.2 ±0.09		
Compressors on a pallet	pcs.	80		



Private Picture Copyright : WWW.MBSM.PRO

Mbsm\_dot\_pro\_private\_PDF\_sc15gTélécharger

Mbsm\_dot\_pro\_private\_PDF\_sc15g\_104g7560\_r134a\_115v\_60hz\_01-2020\_desd404o322Télécharger

Mbsm\_dot\_pro\_private\_PDF\_sc15g\_104g8526\_r134a\_220v\_60hz\_01-2020\_desd403j302Télécharger